



Parts Manual

Serial Number Range

S-80

from SN 3082 to 7999

S-85

Part No. 77810

Rev E18

April 2012

Technical Publications

Genie has endeavored to deliver the highest degree of accuracy possible. However, continuous improvement of our products is a Genie policy. Therefore, product specifications are subject to change without notice.

Readers are encouraged to notify Genie of errors and send in suggestions for improvement. All communications will be carefully considered for future printings of this and all other manuals.

Contact Us:

<http://www.genielift.com>
 e-mail: awp.techpub@terex.com

Serial Number Information


Genie offers the following Parts Manuals for these models:

Title	Part No
Genie S-80 and S-85 Parts Manual (to serial number 965)	34033
Genie S-80 and S-85 Parts Manual (from serial number 966 to 3081)	65615
Genie S-80 and S-85 Parts Manual (from serial number 3082 to 7999)	77810
Genie S-80 and S-85 Parts Manual (from serial number 8000)	111335

Copyright © 2011 Terex Corporation

77810 Rev E November 2009
 Third Edition, Fifth Printing

Genie and "S" are registered trademarks of Terex South Dakota, Inc. in the USA and many other countries.

 Printed on recycled paper

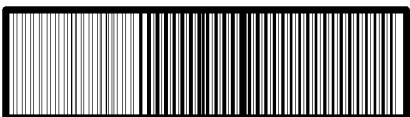


A TEREX BRAND

Model: S-80
Serial number: S8006-12345
Model year: 2008 **Manufacture date:** 07/05/08
Electrical schematic number: ES0274
Machine unladen weight:

Rated work load (including occupants): 500 lb / 227 kg
Maximum number of platform occupants: 2
Maximum allowable side force : 150 lb / 670 N
Maximum allowable inclination of the chassis:
0 deg
Maximum wind speed : 28 mph/ 12.5 m/s
Maximum platform height : 80 ft/ 24.38 m
Maximum platform reach : 72 ft 5 in/ 22.07 m
Gradeability: N/A
Country of manufacture: USA
This machine complies with:
ANSI A92.5
CAN B.354.4

Terex South Dakota, Inc.
18340 NE 76th Street
Redmond, WA 98052
USA



10000000000000

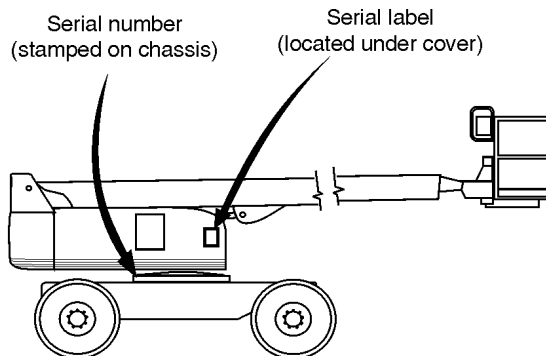
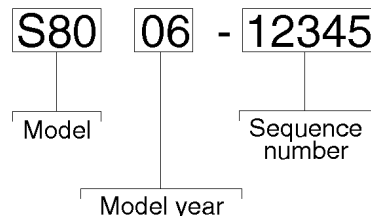
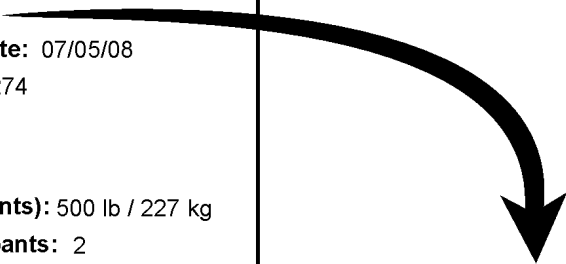


Table of Contents

This manual is updated frequently. If you have a printed manual, you can keep it up to date by downloading new figures from the Genie website at www.genielift.com. For the most up-to-date parts information, visit the Parts Lookup System on the Genie website at www.genielift.com.

How to Read Your Serial Number.....3
 Parts Stocking List.....7
 How to Order Parts.....8
 Service Parts Fax Order Form.....9

Electronic Version

Click on any page number to view the figure.

100 Decals

101.1 Decals with Words.....10
 102.1 Decals with Symbols.....14

200 Drive Chassis Components

201.1 2WD Steer Axle Linkage.....16
 202.1 Extendable Steer Axle Installation.....18
 203.1 2WD Steer Axle, Wheel and Hubs.....20
 204.1 Non-steer Axle - Wheels and Hubs.....22
 205.1 Extendable Non-steer Axle Installation.....26
 206.1 4WD Steer Axle Linkage.....28
 207.1 4WD Steer Axle - Wheel and Hubs.....30

300 Turntable Components

301.1 Hydraulic and Fuel Tanks - Gasoline/LPG Models (to SN 5380).....32
 301.2 Hydraulic and Fuel Tanks - Gasoline/LPG Models (from SN 5381).....36
 302.1 Hydraulic and Fuel Tanks - Diesel Models.....38
 303.1 Function Manifold and Auxiliary Power Unit Installation.....40
 304.1 Turntable Rotator and Hydraulic Rotary Coupler Installation.....42
 305.1 Ground Controls - View 1.....46
 306.1 Ground Controls - View 2.....48
 307.1 Turntable Covers - Tank Side.....52
 308.1 Turntable Covers - Engine Side.....54
 309.1 Turntable Covers.....56

400 Engine Components

401.1 Perkins 704-30 Engine - View 1 (to SN 3737).....58
 402.1 Perkins 704-30 Engine - View 2 (to SN 3737).....60

403.1 Perkins 704-30 Engine - View 3 (to SN 3737).....62
 404.1 Perkins 704-30 Engine - View 4 (to SN 3737).....64
 405.1 Perkins 804D-33 Engine - View 1 (from SN 3738).....66
 406.1 Perkins 804D-33 Engine - View 2 (from SN 3738).....68
 407.1 Perkins 804D-33 Engine - View 3 (from SN 3738).....70
 408.1 Deutz F4L-913 Engine - View 1 (to SN 3772).....72
 409.1 Deutz F4L-913 Engine - View 2 (to SN 3772).....74
 410.1 Deutz F4L-913 Engine - View 3 (to SN 3772).....76
 411.1 Deutz F4L-913 Engine - View 4 (to SN 3772).....78
 412.1 Deutz BF4L-2011 / TD2011-L04i Engine - View 1 (from SN 3773).....80
 413.1 Deutz BF4L-2011 / TD2011-L014i Engine - View 2 (from SN 3773).....84
 414.1 GM 3.0L ELI Engine - View 1.....86
 415.1 GM 3.0L EFI Engine - View 2.....90
 416.1 Ford LRG-425 EFO Engine - View 1.....92
 417.1 Ford LRG-425 EFI Engine - View 2.....96
 418.1 Ford LRG-425 EFI Engine - View 3.....98
 419.1 Ford LRG-425 EFI Engine - View 4.....100
 420.1 Continental TME-27 Engine - View 1.....102
 421.1 Continental TME-27 Engine - View 2.....104
 422.1 Continental TME-27 Engine - View 3.....106
 423.1 Engine Tray and Battery.....108

500 Boom Components

501.1 Boom Installation.....110
 502.1 Extension Boom - View 1.....112
 503.1 Extension Boom - View 2.....114
 504.1 Extension Cylinder Assembly.....116
 505.1 Cable Track Installation.....118
 506.1 Slave Cylinder and Platform Rotator.....120
 507.1 Jib Boom and Platform Rotator.....122
 508.1 Jib Detail.....126
 509.1 Platform Installation.....128

600 Platform Components

601.1 Platform Installation.....130
 602.1 Platform Controls, S-80 - View 1.....136
 602.1 Platform Controls, S-85 - View 1.....138
 603.1 Platform Controls, S-80 - View 2.....140
 603.1 Platform Controls, S-85 - View 2.....142
 604.1 Joysticks (to SN 5519).....144
 604.2 Joysticks (from SN 5520).....146

700 Hydraulic Components

701.1 2WD Traction Manifold (to SN 3834).....148
 701.2 2Wd Traction Manifold (from SN 3835).....150
 702.1 4WD Traction Manifold (to SN 3834).....152

702.2 4WD Traction Manifold (from SN 3835).....	154	Part Number Index.....	230
702.3 4WD Traction Manifold.....	156	Part Description Index.....	238
703.1 Axle Select Manifold and Two-Speed/Brake Manifold.....	158	Cross References	
704.1 Function Manifold - View 1.....	160	Fittings Cross Reference.....	250
705.1 Function Manifold - View 2.....	164		
706.1 Jib Boom and Platform Rotator Manifolds.....	166		
707.1 Pumps.....	168		
708.1 Hydraulic Hoses and Fittings - Steer and Axle Extension.....	170		
709.1 Hydraulic Hoses and Fittings - Drive System (to SN 3834).....	172		
709.2 Hydraulic Hoses and Fittings - Drive System (from SN 3835).....	174		
710.1 Hydraulic Hoses and Fittings - Turntable Components.....	176		
711.1 Hydraulic Hoses and Fittings - Boom.....	180		
712.1 Hydraulic Hoses and Fittings - Boom.....	182		

800 Accessories

801.1 Alarm and Beacon Package, Driving Lights.....	184
802.1 Platform Options.....	186
803.1 Ground and Platform Control Box Covers.....	190
804.1 Hostile Environment Package - Boom and Turntable Covers (to SN 5894).....	192
804.2 Hostile Environment Package - Boom and Turntable Covers (from SN 5895).....	194
805.1 Hostile Environment Package - Turntable.....	196
806.1 Hostile Environment Package - Engine Air Cleaners.....	198
807.1 Hostile Environment Package - Cylinder Bellows.....	200
808.1 Panel Cradle Option.....	202
809.1 Platform Overload Option.....	204
810.1 Belt-driven Generator Option - View 1.....	206
811.1 Belt-driven Generator Option - View 2.....	208
812.1 Air Line to Platform.....	210
813.1 Welder Option, Chassis Components - View 1.....	212
814.1 Welder Option, Platform Components - View 2.....	214
815.1 Welder Option, Hoses and Fittings - View 3.....	216
816.1 Hydraulic Generator Option, Continental TME-27 Engine.....	218
817.1 Hydraulic Generator Option, Continental TME-27 Engine, Hoses and Fittings.....	222
818.1 Cold Start Package and full Gauge Option.....	224
819.1 Hydraulic Oil Cooler Option.....	226
820.1 Hall-Mesh and Pipe Cradle Option.....	228

Indices

Required Parts

The following parts are required to perform maintenance procedures as outlined in the *Genie S-80 and S-85 Service Manual*.

Perkins 704-30 Models (to serial number 3737):

Description	Part No.
Air Filter	62420
Fuel Filter Element	62421
Fuel/water Separator Filter	65853
Engine Oil Filter	62422
V-belt	62423

Perkins 804D-33 Models (from serial number 3738):

Description	Part No.
Air Filter	62420
Fuel/water Separator Element	101614
Engine Oil Filter	101613
V-belt	102534

Deutz F4L-913 Models (to serial number 3772):

Description	Part No.
Air Filter	62420
Fuel/water Separator Filter	75484
Engine Oil Filter	62430
V-belt, Blower	62431
V-belt, Alternator	62432

Deutz BF4L-2011 / TD2011-L04i Models (from serial number 3773):

Description	Part No.
Air Filter	62420
Fuel/water Separator Filter	29560
Engine Oil Filter	49924
V-belt	102589

GM 3.0L EFI Models:

Description	Part No.
Air Filter	62420
Fuel Pre-Filter	65626
Fuel Pressure Regulator Filter	65627
Engine Oil Filter	65623
V-belt	65621
PCV Valve	65620
Spark Plug	65622

Ford LRG-425 Models:

Description	Part No.
Fuel Pre-Filter	52179
Fuel Pressure Regulator Filter	58967
Engine Oil Filter	28656
Air Filter	77295
Serpentine Belt	52580
PCV Valve	33957
Spark Plug (pack of 4)	106490

Continental TME-27 Models:

Description	Part No.
Fuel Pre-Filter	111797
Fuel Pressure Regulator/Filter	111914
Engine Oil Filter	111917
Air Filter Element	62420
V-belt	111918
PCV Valve	111868
Spark Plug	111890
Spark Plug (pack of 4)	111846

Recommended Parts

Description	Part No.
Genie Blue Paint, 1 Gallon	32150
Genie Blue Paint, 12 Ounce Aerosol	1484
Genie Gray Paint, 1 Gallon	32151
Genie Gray Paint, 12 Ounce Aerosol	1268

Manuals

Genie Industries offers the following support documents for these models:

Title	Part No.
Genie S-80 and S-85 Operator's Manual (from serial number 3082 to 3576)	82200
Genie S-80 and S-85 Operator's Manual (from serial number 3577 to 4666 and from serial number 4685 to 4702)	82580
Genie S-80 and S-85 Operator's Manual (from serial number 4667 to 4684 and after serial number 4702)	1000231
Genie S-80 and S-85 Service Manual (from serial number 3081 to 3737)	77832
Genie S-80 and S-85 Service Manual (from serial number 3738 to 5380)	111165
Genie S-80 and S-85 Service Manual (after serial number 5381)	122149
EMI Safety Manual	27581
Manual of Responsibilities ANSI A92.5	31779

How To Order Parts

Please be prepared with the following information when ordering replacement parts for your Terex or Genie product:

- Machine model number
- Machine serial number
- Part number
- Part description and quantity
- Purchase order number
- "Ship to" address
- Desired method of shipment
- Name and telephone number of the authorized distributor in your area

Use the Service Parts Fax Order Form on the next page and fax your order to our Parts Department.

If you don't know the name of your authorized distributor, or if your area is not currently serviced by an authorized distributor, please call Terex or Genie Industries.

Machine Information

Model

Serial Number

Date of Purchase

Authorized Genie Distributor

Phone Number

North America

Telephone (425) 556-6551
 Toll Free (877) 367-5606 in U.S.A. and Canada
 Fax (425) 556-8659
 Toll Free Fax (888) 274-6192

Europe

Parts Telephone (31) (165) 519 313
 Parts Fax (31) (165) 511 148

Australia

Parts Telephone (61) (7) 3456 4444
 Parts Fax (61) (7) 3456 4466

South America

Parts Telephone (55) (11) 4082 5600
 Parts Fax (55) (11) 4082 5630



Service Parts Fax Order Form

Fax to: (425) 556-8659 or Toll Free: 888-274-6192
International: +1-425-556-8659

Please fill out completely

Date _____ Account Number _____
 Your Name _____ Your Fax Number _____
 _____ Your Phone Number _____
 Bill To _____ Ship To _____

 Purchase Order Number _____ Ship Via _____

Model(s) _____ Serial No.(s) _____

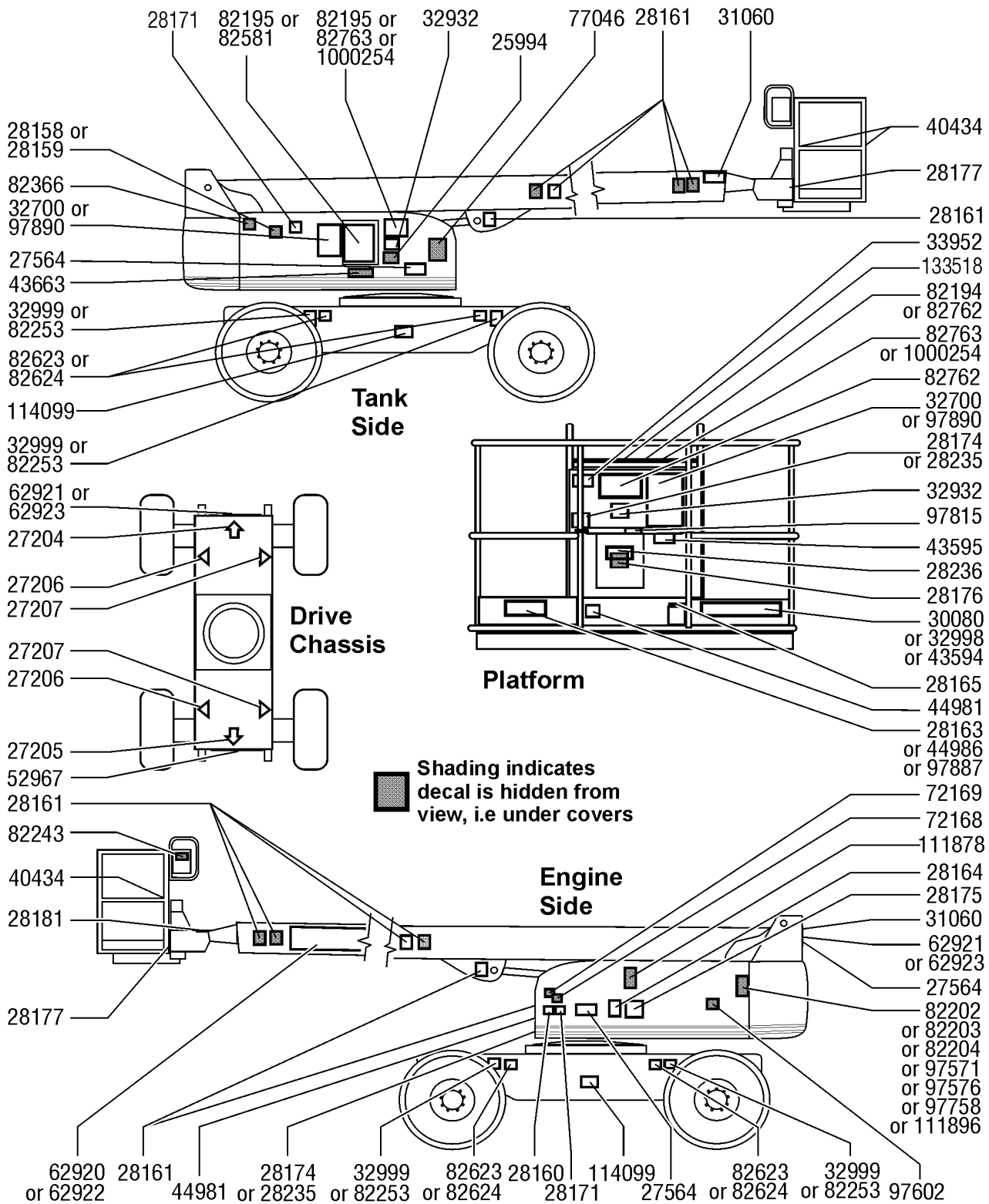
Optional Equipment _____

Part Number	Description	Quantity	Price

All back-ordered parts will be shipped when available via the same ship method as the original order unless Noted below:

- Ship complete order only - No back orders
- Ship all available parts and contact customer on disposition of back-ordered parts
- Other (please specify)

101.1 Decals with Words



101.1 Decals with Words

Item	Part No.	Description	Qty.	Item	Part No.	Description	Qty.
--	102435	DECAL KIT W/WORDS S80/85 <i>includes items 1-10, 12-14, 16-19, 21, 23, 24, 26, 28-30, 32, 42, 43, 49, 51, 52, 55, and 56; to SN 3576</i>		16	28175	DECAL,WARNING-COMPART ACCESS.....	1
--	102443	WORD DECAL KIT SERV S80/85 <i>includes items 1-10, 12-14, 16-19, 21, 23, 24, 26, 28-30, 32, 42, 43, 49, 51, 52, 55, and 56; from SN 3577 to SN 4666</i>		17	28176	DECAL,LABEL,MANUAL NOT HERE.....	1
--	111323	WORD DECAL KIT SERV S80/85 <i>includes items 1-10, 12-14, 16-19, 21, 23, 24, 26, 28-30, 32, 42, 43, 49, 51, 52, 55, 56 and 59; from SN 4703</i>		18	28177	DECAL,WARN,CRUSH HAZARD PLAT.....	2
--	82926	DECAL,LABEL,ALC BOARD 89353 <i>to SN 4075</i>		19	28181	DECAL,WARN,NO STEP OR RIDE.....	1
--	97807	DECAL,LABEL,ALC S80*** <i>from SN 4076</i>		20	28235	DECAL,POWER TO PLATFORM 115V.....	2
1	25994	DECAL,NOTICE,SHUTOFF VALVES.....	1	21	28236	DECAL,WARN,IMPROPER OPERATION.....	1
2	27204	DECAL,ARROW BLUE.....	1	22	30080	DECAL,NOTICE,MAX LOAD 500 LBS.....	1
3	27205	DECAL,ARROW YELLOW LRG 9".....	1	23	31060	DECAL,DANGER DO NOT ALTER SWTC.....	2
4	27206	DECAL,TRIANGLE,BLUE.....	2	24	97890	DECAL,DANGER,GEN SAFETY RULES..... <i>to SN 4666</i>	2
5	27207	DECAL,TRIANGLE,YELLOW.....	2	--	97890	DECAL,DANGER,GEN SAFETY RULES <i>from SN 4667</i>	
6	27564	DECAL,DANGER,ELEC.HAZ.STAY CLR.....	3	25	133518	DECAL,PATCH,GEN,ALC500.....	1
7	28158	DECAL,LABEL,UNLEADED GAS ONLY.....	1	26	32932	DECAL,DANGER,TIPOVER,AXLES.2	
8	28159	DECAL,LABEL,DIESEL FUEL.....	1	27	32998	DECAL,NOTICE,MAX LOAD 600 LBS.....	1
9	28160	DECAL,LABEL,LIQUID PROPANE.....	1	28	32999	DECAL,NOTICE,TIRE PRESSURE.....	4
10	28161	DECAL,WARN,CRUSH HAZARD HAND.....	11	29	33952	DECAL,DANGER,TILT ALARM***.....	1
11	97887	DECAL,INSTR,MAX SIDE FRC,ANSI..... <i>USA/Canada Models; to SN 4666</i>	1	30	40434	DECAL,LANYARD ANCHORAGE POINT.....	3
--	97887	DECAL,INSTR,MAX SIDE FRC,ANSI <i>USA/Canada Models; from SN 4667</i>		31	43594	DECAL,NOTICE,MAX LOAD 750 LBS.....	1
12	28164	DECAL,NOTICE,HAZARDOUS MAT'LS*.....	1	32	43663	DECAL,NOTICE,FUNCTION ENABLE*.....	1
13	28165	DECAL,INSTRUCT,FOOTSWITCH OPER.....	1	33	43595	DECAL,DANGER,TIP-OVER,TIRES***.1	
14	28171	DECAL,DANGER,NO SMOKING***.....	2	34	44981	DECAL,LABEL,AIRLINE 110 PSI.....	2
15	28174	DECAL,POWER TO PLATFORM 230V.....	2	35	44986	DECAL,INSTR,SIDE FRC/WIND,AUS.....	1
				36	52967	DECAL,COSMETIC,4 X 4.....	1
				37	62920	DECAL,COSMETIC,GENIE S-80.....	1
				38	62921	DECAL,COSMETIC,S80.....	2
				39	62922	DECAL,COSMETIC,GENIE S-85.....	1
				40	62923	DECAL,COSMETIC,S85.....	2
				41	77046	SERIAL # LABEL,MYLAR 4X8***.....	1

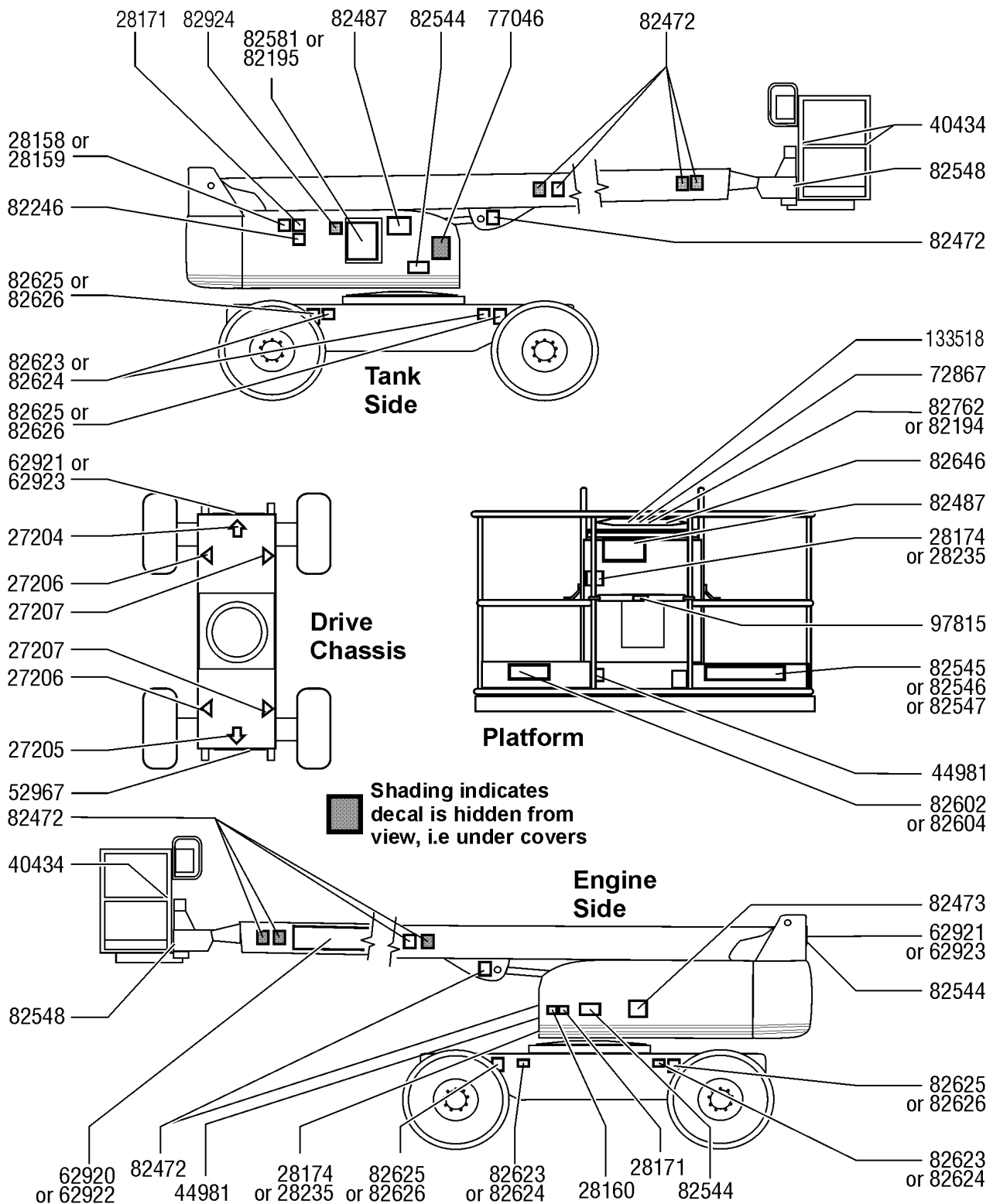


101.1 Decals with Words
(continued)

Item	Part No.	Description	Qty.	Item	Part No.	Description	Qty.
41	77183	FILM,POLY,CLEAR,4.5 X 8.75		54	82624	DECAL,LABEL,WHEEL LOAD S85.....	4
--	77183	FILM,POLY,CLEAR,4.5 X 8.75					
42	72168	DECAL,LABEL,STARTER BATTERY.....	1	55	82194	DECAL,PLAT.CONTROL PANEL,S80.....	1
43	72169	DECAL,LABEL,CONTROLS BATTERY.....	1			<i>to SN 3576</i>	
44	122627	DECAL,T3 ENGINE SPEC.PERKINS <i>from SN 6769</i>		55	82762	DECAL,PLAT.CONTROL PANEL,S80 <i>from SN 3577</i>	
44	82202	DECAL, ENGINE SPEC, PERKINS.....	1	--	82244	DECAL,PROTECTOR,CLEAR***	
		<i>to SN 3737</i>		--	82762	DECAL,PLAT.CONTROL PANEL,S80 <i>from SN 3577</i>	
44	97758	DECAL,NOTICE,PERKINS ENG SPEC <i>from SN 3773 to 6768</i>		56	82207	DECAL,NOTICE,OPERATING INST.IC.....	2
--	97758	DECAL,NOTICE,PERKINS ENG SPEC <i>from SN 3738 to 6768</i>				<i>to SN 3576</i>	
45	82203	DECAL,NOTICE,GM 3.0 ENG SPEC.....	1	--	1000254	DECAL,NOTICE,OPERATING INST.IC <i>from SN 4667 to SN 4684</i>	
46	97571	DECAL,NOTICE,FORD ENG SPECS T2.....	1	--	82763	DECAL,NOTICE,OPERATING INST.IC <i>from SN 4685 to SN 4702</i>	
47	128953	DECAL,ENGINE SPEC,DEUTZ,TD2011 <i>from SN 6769</i>		57	97602	DECAL,WARNING,EXPLOSION,ETHER.1	
47	82204	DECAL,NOTICE,DEUTZ ENG SPEC.....	1	58	114099	DECAL,LABEL,TRANSPORT DIAGRAM.....	2
		<i>to SN 3772</i>		59	97815	DECAL,LABEL,LOWER MIDRAIL....	1
47	97576	DECAL,NOTICE,DEUTZ ENG SPECST2 <i>from SN 3773 to 6768</i>		60	111878	DECAL,FUSE AND RELAY TME27.....	1
--	97576	DECAL,NOTICE,DEUTZ ENG SPECST2 <i>from SN 3773 to 6768</i>					
48	111896	DECAL,ENG.SPECS,CONTINENTAL.1					
49	82243	DECAL FAULT CODE.....	1				
50	82253	DECAL,NOTICE,HF TIRES-S80/S85.....	4				
51	82366	DECAL,LABEL-CHEVRON RANDO.....	1				
52	82195	DECAL,GROUND CONTROL PANEL.....	1				
		<i>to SN 3576</i>					
--	82581	DECAL,GROUND CONTROL PANEL <i>from SN 3577</i>					
53	82623	DECAL,LABEL,WHEEL LOAD S80.....	4				

This Page Intentionally Left Blank

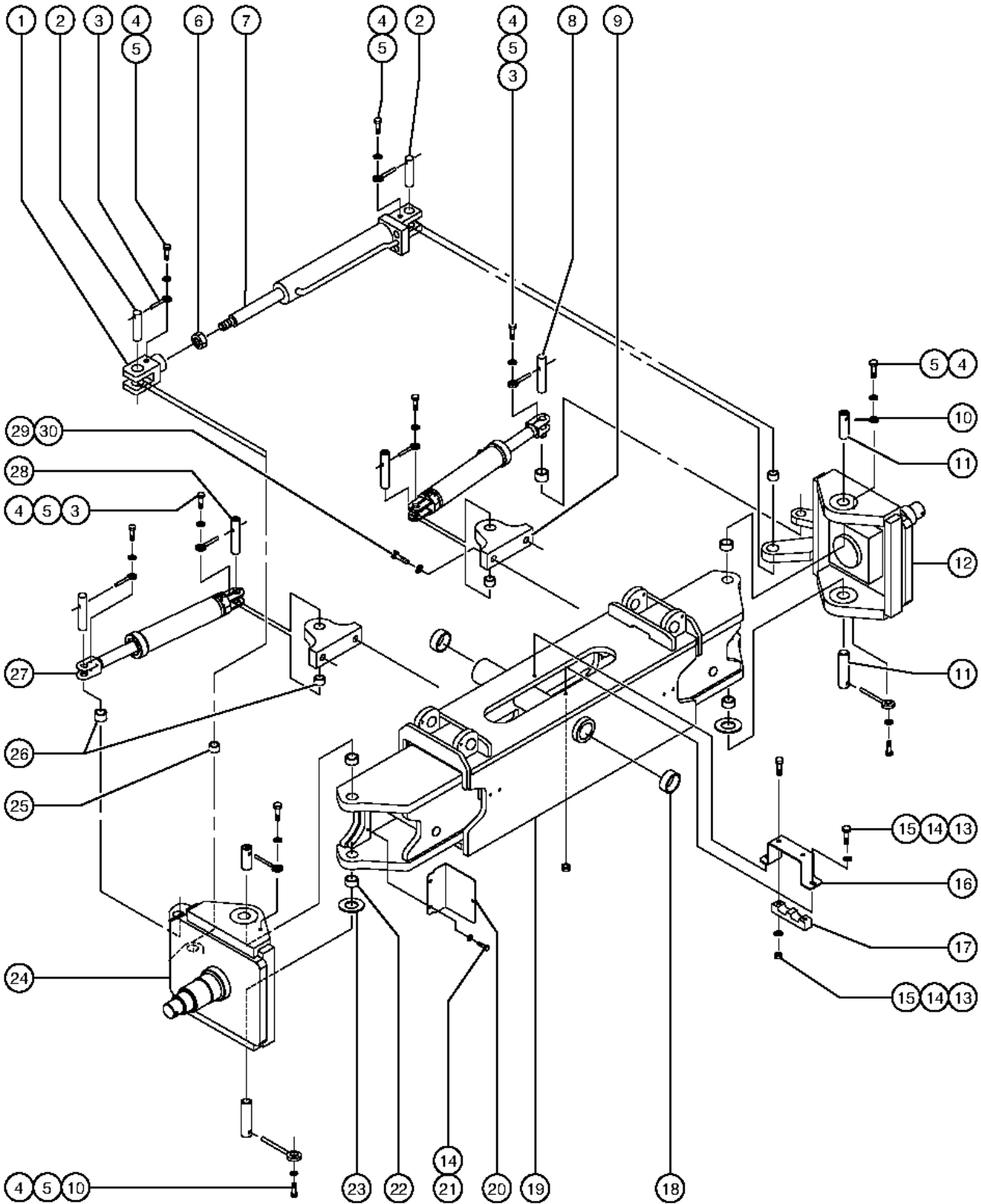
102.1 Decals with Symbols



102.1 Decals with Symbols

Item	Part No.	Description	Qty.	Item	Part No.	Description	Qty.
--	102533	DECAL KIT, SYMBOLS, S80/85 <i>includes items 1-10, 12, 21-26, 28, 30, 31, 36, and 38</i>		27	82547	DECAL,DANGER,MAX LOAD 340 KG.....	1
1	27204	DECAL,ARROW BLUE.....	1	28	82548	DECAL,WARN,CRUSH HAZARD PLAT.....	2
2	27205	DECAL,ARROW YELLOW LRG 9".....	1	29	82581	DECAL,GROUND CONTROL PANEL.....	1
3	27206	DECAL,TRIANGLE,BLUE.....	2	30	82602	DECAL,DANGER,MAX SIDE FRC,667N.....	1
4	27207	DECAL,TRIANGLE,YELLOW.....	2	31	82604	DECAL,DANGER,SIDE FRC 400N..... <i>European models</i>	1
5	28158	DECAL,LABEL,UNLEADED GAS ONLY.....	1	32	82623	DECAL,LABEL,WHEEL LOAD S80.....	4
6	28159	DECAL,LABEL,DIESEL FUEL.....	1	33	82624	DECAL,LABEL,WHEEL LOAD S85.....	4
7	28160	DECAL,LABEL,LIQUID PROPANE.....	1	34	82625	DECAL,LABEL,TIRE PRESSURE S80.....	4
8	28171	DECAL,DANGER,NO SMOKING***.....	2	35	82626	DECAL,LABEL,TIRE PRESS HF S80.....	4
9	28174	DECAL,POWER TO PLATFORM 230V.....	2	36	82646	DECAL,DRIVE ENABLE PATCH....	1
10	28235	DECAL,POWER TO PLATFORM 115V.....	2	37	82762	DECAL,PLAT.CONTROL PANEL,S80.....	1
11	133518	DECAL,PATCH,GEN,ALC500.....	1	38	82924	DECAL,CAUTION,SHUTOFF VALVES.....	1
12	40434	DECAL,LANYARD ANCHORAGE POINT.....	3	39	97815	DECAL,LABEL,LOWER MIDRAIL....	1
13	44981	DECAL,LABEL,AIRLINE 110 PSI....	2	40	82246	DECAL,LABEL,113 DB.....	1
14	52967	DECAL,COSMETIC,4 X 4.....	1				
15	62920	DECAL,COSMETIC,GENIE S-80....	1				
16	62921	DECAL,COSMETIC,S80.....	2				
17	62922	DECAL,COSMETIC,GENIE S-85....	1				
18	62923	DECAL,COSMETIC,S85.....	2				
19	72867	DECAL,LABEL,LIGHTS***.....	1				
20	77046	SERIAL # LABEL,MYLAR 4X8***....	1				
--	77183	FILM,POLY,CLEAR,4.5 X 8.75					
21	82472	DECAL,WARNING,CRUSHING HAZARD.....	11				
22	82473	DECAL,SYMBOL-COMP ACCESS.....	1				
23	82487	DECAL,SYMBOL-READ THE MANUAL.....	2				
24	82544	DECAL,DANGER,ELEC.HAZ.STAY CLR.....	3				
25	82545	DECAL,DANGER,MAX LOAD 227 KG.....	1				
26	82546	DECAL,DANGER,MAX LOAD 600 LBS.....	1				

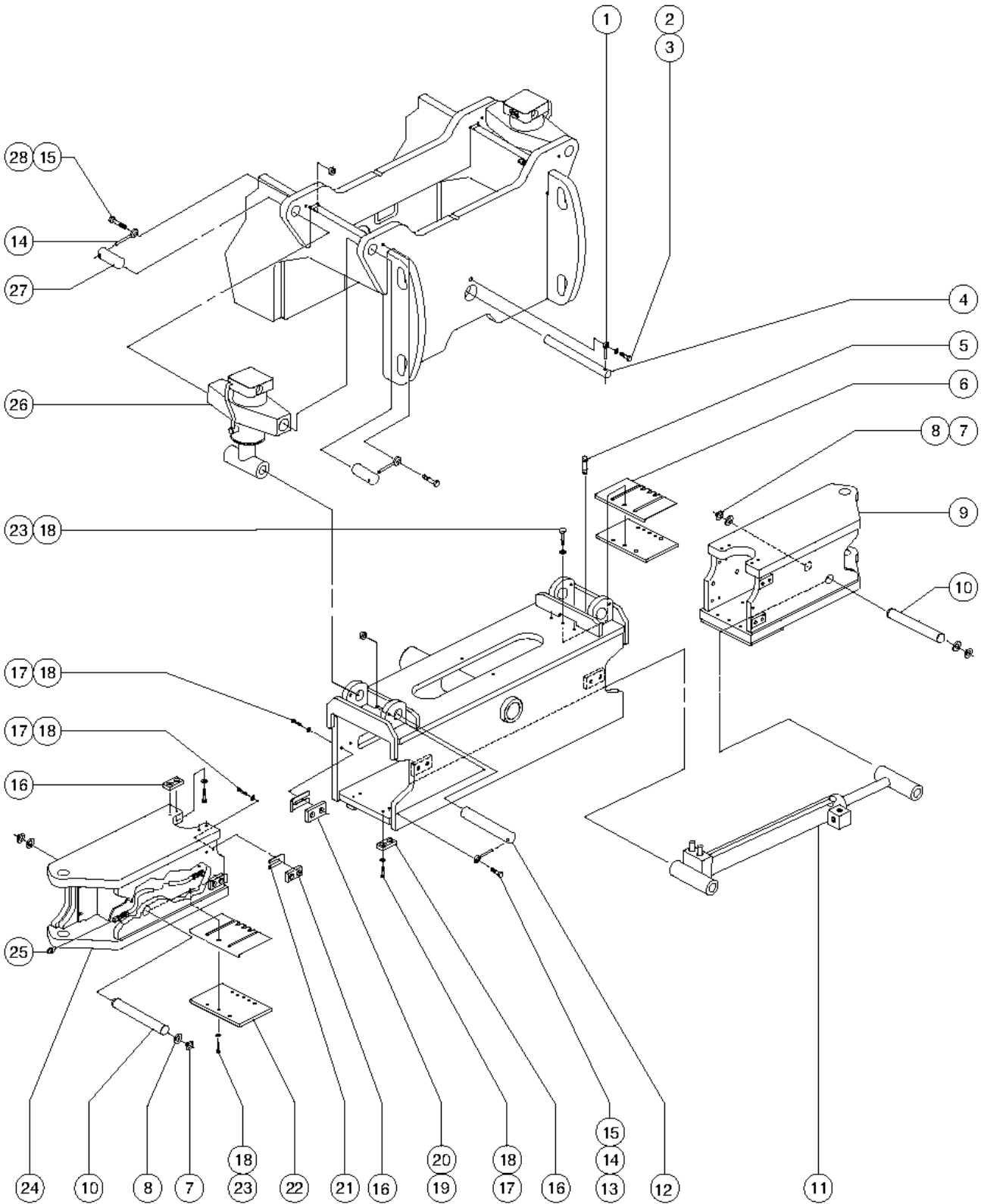
201.1 2WD Steer Axle Linkage



201.1 2WD Steer Axle Linkage

Item	Part No.	Description	Qty.	Item	Part No.	Description	Qty.
1	34290P	ADJUSTMENT LUG,1.25-7 PNTD...1		28	81600	PIN,1.00DIAX3.63LG,THREADED...2	
2	34276	PIN,1.25DIAX3.37LG,1HOLE.....2		29	34348	SCREW,HHC,3/4-10 X 3 GRD.8.....4	
3	25284	ROD END,.375 X 2.25***.....6		30	33278	WASHER,FLAT,.75 HARDENED.....4	
4	6175	SCREW,HHC,3/8-16 X 1					
5	6021	WASHER,LOCK,.375					
6	27953	NUT,HEX,JAM,1.25-7					
7	81993	CYLINDER,TIE ROD, S80/S85.....1					
--	33428	VALVE,COUNTERBALANCE					
--	43018	SEAL KIT (39345)					
--	77529	SEAL KIT,TIE ROD(81993)					
8	30734	PIN,1.00DIAX2.88LG,1HOLE.....2					
9	81908P	PLATE,STEER LUG,PAINTED.....2 <i>to SN 3613</i>					
--	101281P	PLATE,FR AXLE STEER LUG MAC <i>from SN 3614</i>					
10	45226	ROD END,.375 X 3.69.....2					
11	81599	PIN,1.50DIAX4.38LG,1HOLE.....4					
12	81393-S	STEER YOKE ASSEMBLY 2WD,LH.....1 <i>includes items 25 and 26</i>					
13	13918	SCREW,HHC,3/8-16 X 1.75,GRD.8.....4					
14	6097	WASHER,FLAT,USS,3/8",Y					
15	4828	NUT,NYLOCK,3/8-16					
16	81725	FORMING,FRONT AXLE HOSE CLAMP.....1					
17	81709	CLAMP,AXLE EXTEND HOSE.....1					
18	27698	BEARING,2.50IDX2.75ODX2.00L....2					
19	77532	WELDMENT,OUTER FRONT AXLE S80.....1 <i>includes item 18</i>					
20	81607	COVER,FRONT INNER AXLE.....2					
21	8255	SCREW,HHC,3/8-16 X .75					
22	119619	BEARING,1.5 ID X 1.75 ODX1.5L....4					
23	45074	WASHER,THRUST,1.5 X 3.5 X .187.....2					
24	81394-S	STEER ASSEMBLY YOKE 2WD,RH.....1 <i>includes items 25 and 26</i>					
25	34245	BEARING,1.25IDX1.50X1.25L.....2					
26	25817	BEARING,1.00IDX1.25ODX1.00L....4					
27	59370	CYLINDER,STEER.....2					
--	88349	SEAL KIT,STEER CYL ***					

202.1 Extendable Steer Axle Installation



202.1 Extendable Steer Axle Installation

Item	Part No.	Description	Qty.	Item	Part No.	Description	Qty.
1	30418	ROD END,0.5 X 3.75***.....	2	--	111154	NIPPLE,1/8 NPT X 2,PLATED	
2	8177	SCREW,HHC,1/2-13 X 1.5		--	28646	ZERK,GREASE,1/8 NPT	
3	6033	WASHER,LOCK,0.5"		--	48885	CONNECTOR,BULKHEAD,FEMALE-4	
4	81378	PIN,2.50DIAX27.63LG,1HOLE.....	2	26	81330	CYLINDER,OSCILLATE***	2
5	111142	ZERK,GREASE,1/8 NPT,1-3/4"LG.....	2	--	33428	VALVE,COUNTERBALANCE	
		<i>from SN 4952</i>		--	43018	SEAL KIT (39345)	
6	81727	SHIM,AXLE WEAR PAD,FRONT....	4	--	77519	SEAL KIT,OSC CYLINDER (81330)*	
7	18383	SNAP RING,EXTERNAL,1.5 DIA***	4	27	81498	PIN,1.75DIAX4.50LG,THREADED...4	
8	18596	WASHER,FLAT,1.56 X 2.5 X .061		28	8178	SCREW,HHC,3/8-16 X 2.5	
9	77533	ASSY,LF INNER AXLE,STEER,S80.....	1				
10	81499	PIN,1.50DIAX11.43LG,2RING.....	2				
11	81349	CYLINDER,AXLE EXTENSION S80.....	1				
--	33428	VALVE,COUNTERBALANCE					
--	43018	SEAL KIT (39345)					
--	77528	SEAL KIT,AXLE EXT. (81349)					
--	83134	BLOCK,AXLE EXTEND(S-80 81349)					
12	81598	PIN,1.75DIAX10.75LG,1HOLE.....	2				
13	5224	SCREW,HHC,3/8-16 X 2					
14	45226	ROD END,.375 X 3.69.....	6				
15	4828	NUT,NYLOCK,3/8-16					
16	81640	WEAR PAD,3 X 1.5 X .625 W/NUTS.....	20				
17	13918	SCREW,HHC,3/8-16 X 1.75,GRD.8.....	28				
		<i>to SN 6872</i>					
--	8516	SCREW,HHC,3/8-16 X 1.50 <i>from SN 6873</i>					
18	6021	WASHER,LOCK,.375					
19	81796	WEAR PAD,4 X 2 X .625 W/INSERT.....	4				
20	81851	SHIM,PAD 2.0 X 4.0 X .06 THK					
21	81642	SHIM,WEAR PAD,3 X 1.5, 16G					
22	111138	WEARPAD,S80 FRONT AXLE.....	4				
23	6708	SCREW,HHC,3/8-16 X 2.25					
24	77534	ASSY,RF INNER AXLE,STEER,S80.....	1				
25	49189-1638	HOSE ASSY,1/4,STR FEM,STR....	2				
		<i>from SN 4952</i>					
--	102729	ELBOW,90D,1/8 NPT X #4 JIC					

203.1 2WD Steer Axle, Wheel and Hubs

