



A TEREX BRAND

# Parts Manual

Serial Number Range

**S-80X**

from SN 8000

**S-80**

**S-85**

Part No. 111335

Rev C3

April 2012

## Technical Publications

Genie has endeavored to deliver the highest degree of accuracy possible. However, continuous improvement of our products is a Genie policy. Therefore, product specifications are subject to change without notice.

Readers are encouraged to notify Genie of errors and send in suggestions for improvement. All communications will be carefully considered for future printings of this and all other manuals.

## Contact Us:

<http://www.genielift.com>  
 e-mail: [awp.techpub@terex.com](mailto:awp.techpub@terex.com)

## Serial Number Information

Genie offers the following Parts Manuals for these models:


Title	Part No
Genie S-80 and S-85 Parts Manual (to serial number 965) .....	34033
Genie S-80 and S-85 Parts Manual (from serial number 966 to 3081) .....	65615
Genie S-80 and S-85 Parts Manual (from serial number 3082 to 7999) .....	77810

---

Copyright © 2011 Terex Corporation

111335 Rev C August 2011  
 Fourth Edition, Third Printing

Genie and "S" are registered trademarks of Terex South Dakota, Inc. in the USA and many other countries.

 Printed on recycled paper



A TEREX BRAND

**Model:** S-80  
**Serial number:** S8008-12345  
**Model year:** 2008 **Manufacture date:** 08/01/08  
**Electrical schematic number:** ES0505  
**Machine unladen weight:**

**Rated work load (including occupants):** 500 lb / 227 kg  
**Maximum number of platform occupants:** 2  
**Maximum allowable side force :** 150 lb / 670 N  
**Maximum allowable inclination of the chassis:**  
0 deg

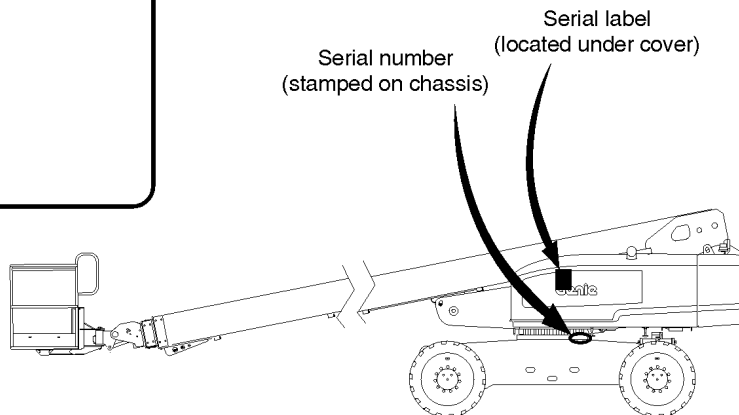
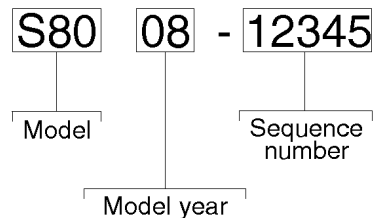
**Maximum wind speed :** 28 mph / 12.5 m/s  
**Maximum platform height :** 80 ft / 24.38 m  
**Maximum platform reach :** 72 ft 5 in / 22.07 m  
**Gradeability:** N/A

**Country of manufacture:** USA  
**This machine complies with:**  
ANSI A92.5-  
CAN B.354.4-

**Terex South Dakota, Inc.**  
**18340 NE 76th Street**  
**Redmond, WA 98052**  
**USA**



11111111



## Table of Contents

This manual is updated frequently. If you have a printed manual, you can keep it up to date by downloading new figures from the Genie website at [www.genielift.com](http://www.genielift.com). For the most up-to-date parts information, visit the Parts Lookup System on the Genie website at [www.genielift.com](http://www.genielift.com).

How to Read Your Serial Number.....	3
Parts Stocking List.....	7
How to Order Parts.....	8
Service Parts Fax Order Form.....	9

**Electronic Version**

Click on any page number to view the figure.

**100 Decals**

101.1 Decals with Words, S-80X and S-80.....	10
102.1 Decals with Words, S-85.....	14
103.1 Decals with Symbols, S-80X and S-80.....	18
104.1 Decals with Symbols, S-85.....	22

**200 Drive Chassis Components**

201.1 Steer End.....	24
202.1 Axle Installation.....	28
203.1 Oscillation Control Valve.....	30

**300 Turntable Components**

301.1 Hydraulic and Fuel Tanks - Diesel Models.....	32
302.1 Hydraulic and Fuel Tanks - Gasoline/LPG Models.....	36
303.1 Ground Controls - View 1.....	40
304.1 Ground Controls - View 2.....	42
305.1 Turntable Covers.....	44
306.1 Turntable Rotator and Hydraulic Rotary Coupler Install.....	46
307.1 Turntable Components - Relay Panel, Diesel Models.....	50
308.1 Turntable Components - Relay Panel, Gasoline/LPG Models.....	52
309.1 Turntable Counterweight, S-80X and S-80.....	54
310.1 S-80 High Capacity.....	56
311.1 Turntable Counterweight, S-85.....	58
312.1 Wire Harness Diagram, S-80X and S-80.....	60
313.1 Wire Harness Diagram, S-85.....	64

**400 Engine Components**

401.1 Perkins 804D-33 Engine - View 1.....	68
402.1 Perkins 804D-33 Engine - View 2.....	70

403.1 Perkins 804D-33 Engine - View 3.....	72
404.1 Deutz TD2011L04i Engine - View 1.....	74
405.1 Deutz TD2011L04i Engine - View 2.....	78
406.1 Continental TME-27 Engine - View 1.....	80
407.1 Continental TME-27 Engine - View 2.....	82
408.1 Continental TME-27 Engine - View 3.....	84
409.1 Engine Tray.....	86

**500 Boom Components**

501.1 Cable Track Installation.....	88
502.1 Extension Boom Tube 1.....	90
502.2 Extension Boom Tube 1, S-80X (from SN 8500).....	92
503.1 Extension Boom Tube 2.....	94
504.1 Extension Boom Tube 3.....	96
505.1 Cable Assembly.....	98
506.1 Boom Link Assembly - View 1.....	100
507.1 Boom Link Assembly - View 2.....	102
508.1 Platform Rotator, S-80X and S-80.....	104
509.1 Jib Boom and Platform Rotator, S-85.....	106
510.1 Platform Installation.....	108

**600 Platform Components**

601.1 Platform Installation.....	110
602.1 Platform Controls, S-80X and S80.....	114
603.1 Platform Controls, S-85.....	116
604.1 Platform Control Box, S-80X and S-80.....	118
605.1 Platform Control Box, S-85.....	120

**700 Hydraulic Components**

701.1 Traction Manifold (to SN 8580).....	122
701.2 Traction Manifold (from SN 8581).....	124
702.1 Two-Speed/Brake Manifold.....	126
703.1 Function Enable Valve and Platform Rotator Manifold.....	128
704.1 Platform Manifold, S-80X and S-80.....	130
705.1 Platform Manifold, S-85.....	132
706.1 Function Manifold.....	134
707.1 Oil Diverter Manifold (welder option).....	136
708.1 Pumps.....	138
709.1 2WD Drive and Steer System.....	140
710.1 4WD Drive and Steer System.....	142
711.1 Oscillate System.....	146
712.1 Turntable Components.....	148
713.1 Boom, S-80X and S-80.....	152
714.1 Boom, S-85.....	156

**800 Accessories**

801.1 Alarm and Beacon Package, Driving Lights.....	160
---	-----

802.1 Platform Options.....	162
803.1 Hostile Environment Package - Ground and Platform Control Box Covers.....	164
804.1 Hostile Environment Package - Booms, S-80X and S-80.....	166
804.1 Hostile Environment Package - Booms, S-85.....	168
805.1 Hostile Environment Package - Turntable.....	170
806.1 Hostile Environment Package - Engine Air Cleaners.....	172
807.1 Hostile Environment Package - Cylinder Bellows, S-80X and S-80.....	174
808.1 Hostile Environment Package - Cylinder Bellows, S-85.....	176
809.1 Panel Cradle Option.....	178
810.1 Dual Battery Option (to SN 8198).....	180
811.1 Cold Start Package and Full Gauge Option.....	182
812.1 Hydraulic Oil Cooler Option.....	184
813.1 Half-Mesh and Pipe Cradle Option.....	186
814.1 Spare LPG Tank Option.....	188
815.1 Welder Option, Chassis Components, S-80X and S-80 - View 1.....	190
815.1 Welder Option, Chassis Components, S-85 - View 1.....	192
816.1 Welder Option, Platform Components, S-80X and S-80 - View 2.....	194
816.1 Welder Option, Platform Components, S-85 - View 2.....	196
817.1 Welder Option, Hoses and Fittings - View 3.....	198
818.1 Circuit Board Heater Option.....	200
819.1 Belt Generator Option - View 1.....	202
820.1 Belt Generator Option - View 2.....	204
821.1 Platform Overload - European Models.....	206
822.1 Air Line and Weld Cables.....	208
823.1 Airline Protection Package, Standard (from SN 8126).....	210
824.1 Airline Protection Package, Deluxe (from SN 8126).....	212

### Indices

Part Number Index.....	214
Part Description Index.....	221

### Cross References

Fittings Cross Reference.....	232
-------------------------------	-----



### Required Parts

The following parts are required to perform maintenance procedures as outlined in the *Genie S-80 and S-85 Service Manual*.

**All Models:**

Description	Part No.
Wheel Lug Nuts.....	34127
Lithium Based Grease.....(source locally)	
Dielectric Grease.....	66399
Drive Hub Oil (refer to service manual)....(source locally)	

**Perkins 804D-33 Models:**

Description	Part No.
Air Filter.....	62420
Fuel/water Separator Element.....	101614
Engine Oil Filter.....	101613
V-Belt.....	102534

**Deutz TD2011L04i Tier 4 Interim Models:**

Description	Part No.
Air Filter.....	62425
Fuel/water Separator Filter.....	29560
Engine Oil Filter.....	49924
V-Belt.....	102589

**Continental TME-27 Models:**

Description	Part No.
Air Filter.....	111634
Fuel Pre-Filter.....	111797
Fuel Pressure Regulator Filter.....	111914
Engine Oil Filter.....	111917
PCV Valve.....	111868
Spark Plug.....	111890
Serpentine Belt.....	111918

### Recommended Parts

Description	Part No.
Genie Blue Paint, 1 Gallon	32150
Genie Blue Paint, 12 Ounce Aerosol	1484
Genie Gray Paint, 1 Gallon	32151
Genie Gray Paint, 12 Ounce Aerosol .....	1268

### Manuals

Genie Industries offers the following support documents for these models:

Title	Part No.
Genie S-80 and S-85 Operator's Manual (from SN 3082 to 3576).....	82200
Genie S-80 and S-85 Operator's Manual (from SN 3577 to 4666 and from SN 4685 to 4702) .....	82580
Genie S-80 and S-85 Operator's Manual (from SN 4667 to 4684 and from SN 4703 to 7999) .....	1000231
Genie S-80 and S-85 Operator's Manual (from SN 8000 to 8499).....	133070
Genie S-80 and S-85 Operator's Manual Australia (from SN 8500).....	T107966
Genie S-85 Operator's Manual North America, South America, Asia (from SN 8500).....	T107108
Genie S-80X Operator's Manual North America, South America, Asia (from SN 8500).....	T107105
Genie S-80 and S-85 Service Manual (from SN 3081 to 3737).....	77832
Genie S-80 and S-85 Service Manual (from SN 3738 to 5380 ).....	111165
Genie S-80 and S-85 Service Manual (from SN 5382 to 7999).....	122149
Genie S-80 and S-85 Service Manual (from SN 8000) .....	122985
EMI Safety Manual.....	27581
Manual of Responsibilities ANSI A92.5.....	31779

## How To Order Parts

Please be prepared with the following information when ordering replacement parts for your Terex or Genie product:

- Machine model number
- Machine serial number
- Part number
- Part description and quantity
- Purchase order number
- "Ship to" address
- Desired method of shipment
- Name and telephone number of the authorized distributor in your area

Use the Service Parts Fax Order Form on the next page and fax your order to our Parts Department.

If you don't know the name of your authorized distributor, or if your area is not currently serviced by an authorized distributor, please call Terex or Genie Industries.

### Machine Information

---

Model

---

Serial Number

---

Date of Purchase

---

Authorized Genie Distributor

---

Phone Number

#### North America

Telephone (425) 556-6551  
 Toll Free (877) 367-5606 in U.S.A. and Canada  
 Fax (425) 556-8659  
 Toll Free Fax (888) 274-6192

#### Europe

Parts Telephone (31) (165) 519 313  
 Parts Fax (31) (165) 511 148

#### Australia

Parts Telephone (61) (7) 3456 4444  
 Parts Fax (61) (7) 3456 4466

#### South America

Parts Telephone (55) (11) 4082 5600  
 Parts Fax (55) (11) 4082 5630



Service Parts Fax Order Form

Fax to: (425) 556-8659 or Toll Free: 888-274-6192  
International: +1-425-556-8659



Please fill out completely

Date \_\_\_\_\_ Account Number \_\_\_\_\_

Your Name \_\_\_\_\_ Your Fax Number \_\_\_\_\_

\_\_\_\_\_ Your Phone Number \_\_\_\_\_

Bill To \_\_\_\_\_ Ship To \_\_\_\_\_

\_\_\_\_\_

\_\_\_\_\_

Purchase Order Number \_\_\_\_\_ Ship Via \_\_\_\_\_

Model(s) \_\_\_\_\_ Serial No.(s) \_\_\_\_\_

Optional Equipment \_\_\_\_\_

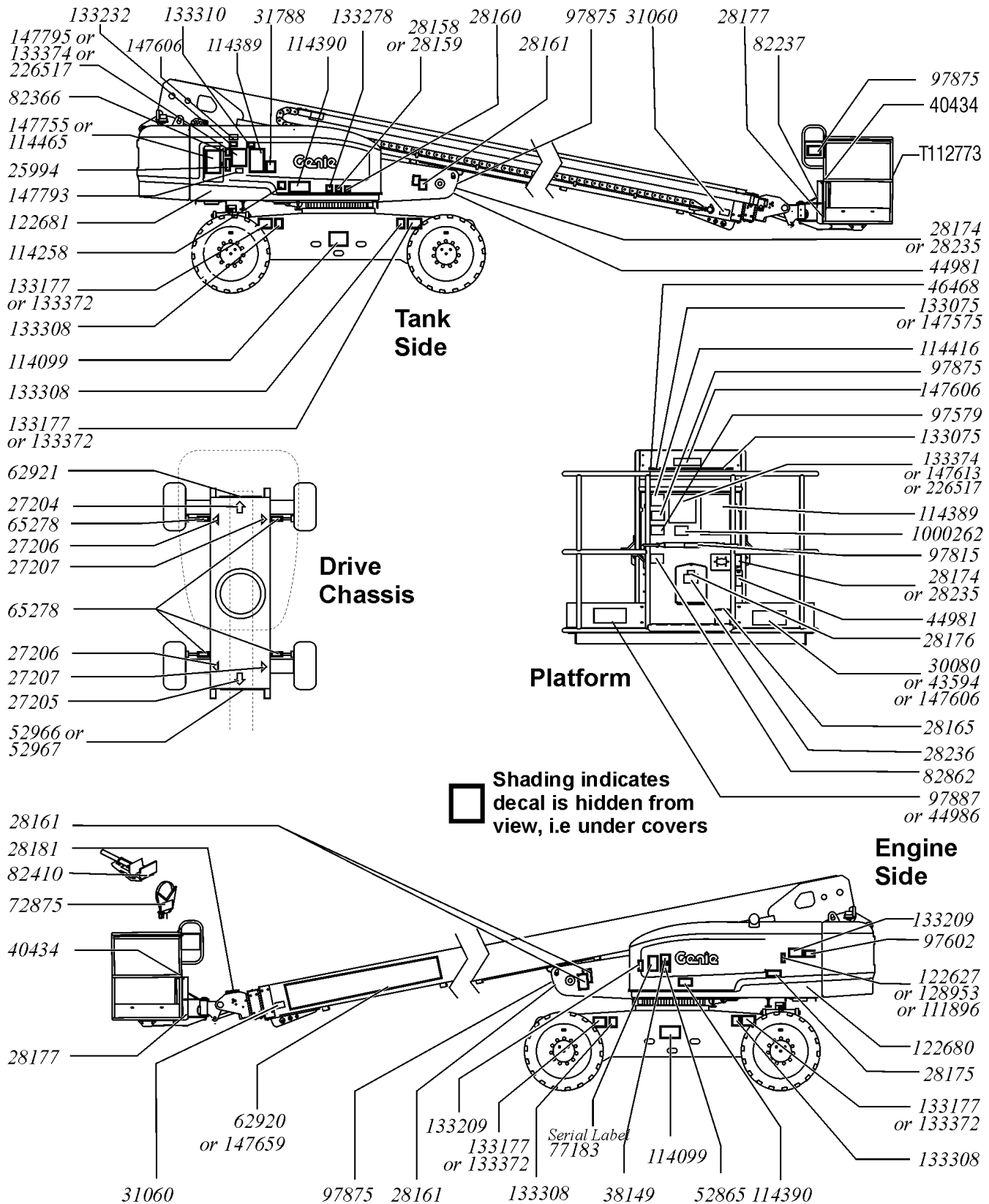
Part Number	Description	Quantity	Price

All back-ordered parts will be shipped when available via the same ship method as the original order unless Noted below:

- Ship complete order only - No back orders
- Ship all available parts and contact customer on disposition of back-ordered parts
- Other (please specify)



101.1 Decals with Words, S-80X and S-80



101.1 Decals with Words, S-80X and S-80

Item	Part No.	Description	Qty.	Item	Part No.	Description	Qty.
--	122397	DECAL KIT, WORDS, S80/85 <i>(includes items 1-21, 37, 41, 54 and 62- 65); to SN 8499</i>		22	30080	DECAL,NOTICE,MAX LOAD 500 LBS.....	1
--	T108102	DECAL KIT,WORDS,S80/85 <i>(includes items 1- 22, 31, 48, 55 and 61- 65); from SN 8500</i>		23	28158	DECAL,LABEL,UNLEADED GAS ONLY.....	1
--	T108101	DECAL KIT,WORDS,S80X <i>(includes items 1- 21, 48, 61, 62 and 64-72); from SN 8500</i>		24	28159	DECAL,LABEL,DIESEL FUEL.....	1
1	25994	DECAL,NOTICE,SHUTOFF VALVES.....	1	25	28160	DECAL,LABEL,LIQUID PROPANE.....	1
2	27204	DECAL,ARROW BLUE.....	1	26	28174	DECAL,POWER TO PLATFORM 230V.....	2
3	27205	DECAL,ARROW YELLOW LRG 9".....	1	27	28235	DECAL,POWER TO PLATFORM 115V.....	2
4	27206	DECAL,TRIANGLE,BLUE.....	2	28	38149	DECAL,LABEL,PATENTS.....	1
5	27207	DECAL,TRIANGLE,YELLOW.....	2	29	43594	DECAL,NOTICE,MAX LOAD 750 LBS.....	1
6	28161	DECAL,WARN,CRUSH HAZARD HAND.....	5	30	44981	DECAL,LABEL,AIRLINE 110 PSI.....	2
7	28165	DECAL,INSTRUCT,FOOTSWITCH OPER.....	1	31	44986	DECAL,INSTR,SIDE FRC/WIND,AUS.....	1
8	28175	DECAL,WARNING-COMPART ACCESS.....	1	32	52865	DECAL,ANNUAL INSP***.....	1
9	28176	DECAL,LABEL,MANUAL NOT HERE.....	1	33	52966	DECAL,COSMETIC,4 X 2.....	1
10	28177	DECAL,WARN,CRUSH HAZARD PLAT.....	2	34	52967	DECAL,COSMETIC,4 X 4.....	1
11	28181	DECAL,WARN,NO STEP OR RIDE.....	1	35	62920	DECAL,COSMETIC,GENIE S-80.....	1
12	28236	DECAL,WARN,IMPROPER OPERATION.....	1	36	62921	DECAL,COSMETIC,S80.....	1
13	31788	DECAL,DANGER,BATTERY SAFETY***.....	1	37	65278	DECAL,CAUTION,NO STEP.....	4
14	40434	DECAL,LANYARD ANCHORAGE POINT.....	3	38	72875	DECAL,WARNING,PIPE CRADLE,BOOM.....	2
15	97815	DECAL,LABEL,LOWER MIDRAIL....	1	39	77046	SERIAL # LABEL,MYLAR 4X8***.....	1
16	114099	DECAL,LABEL,TRANSPORT DIAGRAM.....	2	--	77183	FILM,POLY,CLEAR,4.5 X 8.75	
17	114258	DECAL,DANGER,NO SMOKING.....	1	40	82237	DECAL,DANGER,HIGH VOLTAGE.....	3
18	114389	DECAL,DANGER,GENERAL SAFETY***.....	2	41	82243	DECAL FAULT CODE.....	1
19	114390	DECAL,DANGER,ELECT HAZARD***.....	2	42	82366	DECAL,LABEL-CHEVRON RANDO.....	1
20	114416	DECAL,DANGER,TIPOVER,TILT.....	1	43	82410	DECAL,WARNING,PANEL CRADLE.....	2
21	114465	DECAL GROUND CONTROL BOX.....	1	44	82862	DECAL,FIRE EXTINGUISHER.....	1
				45	97579	DECAL,DANGER,TIP-OVER,WELDER**.	1
				46	97602	DECAL,WARNING,EXPLOSION,ETHER.	1
				47	97875	DECAL,WARN.WELD LINE INST.WORD.....	2
				48	97887	DECAL,INSTR,MAX SIDE FRC,ANSI.....	1
				49	111896	DECAL,ENG.SPECS,CONTINENTAL.	1

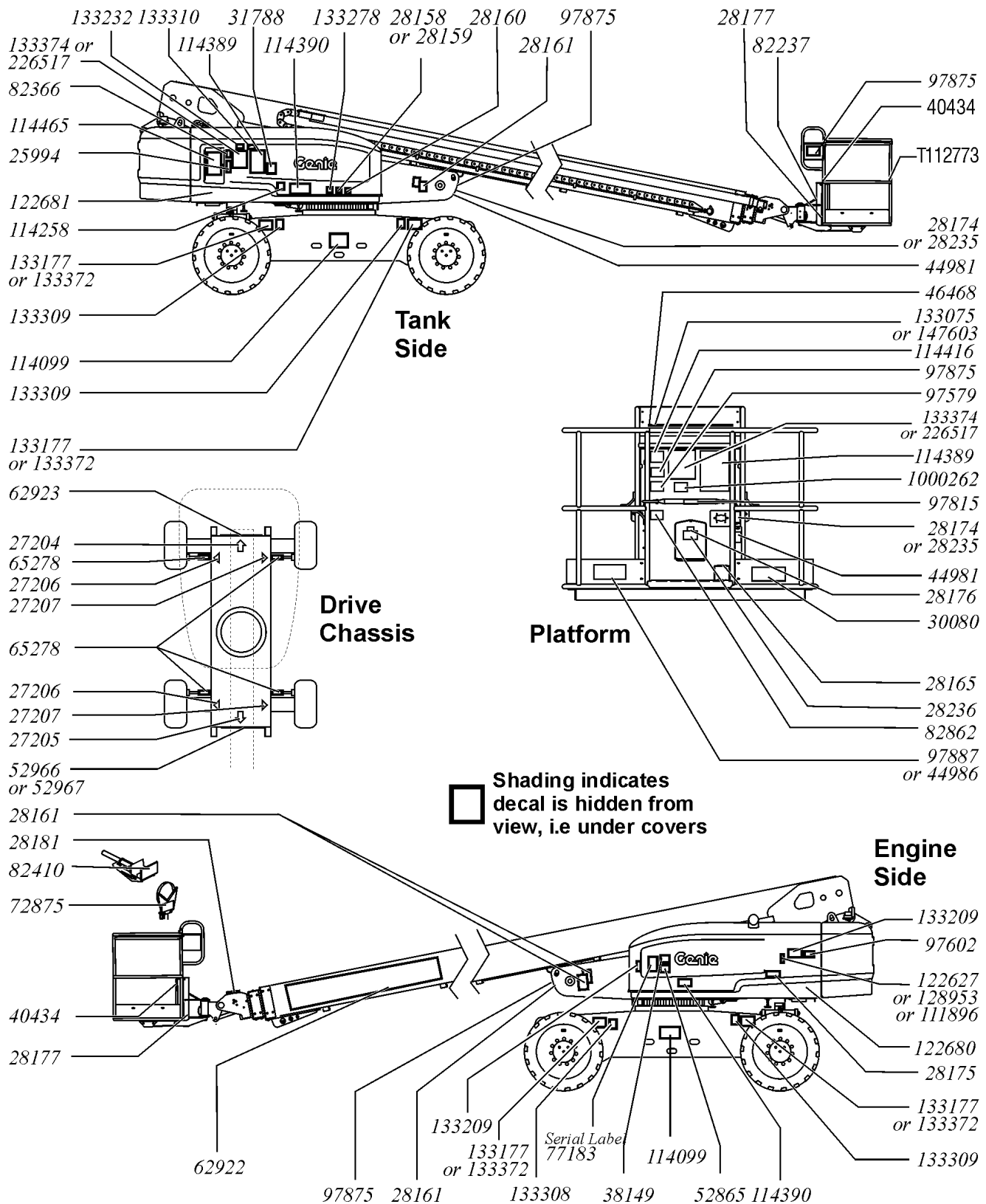


101.1 Decals with Words, S-80X and S-80  
(continued)

Item	Part No.	Description	Qty.	Item	Part No.	Description	Qty.
50	122627	DECAL,T3 ENGINE SPEC.PERKINS.....	1	--	T107895	DECAL,PROTECTOR,CLEAR <i>part of the hostile protection option; from SN 8500</i>	
51	122680	DECAL, GRAY STRIP, RH, S80/85.....	1	70	147613	DECAL, INST OPER INST S80X PLT.....	1
		<i>to SN 9022</i>				<i>use with S-80X only; from SN 8500</i>	
52	122681	DECAL, GRAY STRIP, LH, S80/85.....	1	71	31060	DECAL,DANGER DO NOT ALTER SWTC.....	2
		<i>to SN 9022</i>				<i>use with S-80X only; from SN 8500</i>	
53	128953	DECAL,ENGINE SPEC,DEUTZ,TD2011.....	1	72	147606	DECAL,INST PLAT CAP S80X.....	3
54	133075	DECAL,PLATFORM CONTROL PANEL.....	1			<i>use with S-80X only; from SN 8500</i>	
		<i>to SN 8499</i>		73	T112773	TAPE, PROTECTIVE MASK <i>from SN 8780</i>	
--	133307	DECAL,PROTECTOR,CLEAR <i>part of the hostile protection option; to SN 8499</i>		74	226517	DECAL,INST,OPER INST,S80,AU <i>(Australia only)</i>	
55	147603	DECAL, PLAT CNTL PNL.....	1	75	46468	DECAL,FUNCTION OVERRIDE <i>part of airline protection package, from 8126</i>	
		<i>from SN 8500</i>					
--	T107895	DECAL,PROTECTOR,CLEAR <i>part of the hostile protection option; from SN 8500</i>					
56	133177	DECAL,DANGER/LABEL,TIRE SPECS.....	4				
57	133232	DECAL,LABEL,AUX BATTERY.....	1				
58	133372	DECAL,DANGER/LABEL,TIRE SPECHF.....	4				
59	133278	DECAL,LOW/ULTRA LOW SULFR FUEL.....	1				
		<i>(USA only)</i>					
60	147659	DECAL,COSM GENIE S80X					
61	133308	DECAL,LABEL,WHEEL LOAD S80.....	4				
62	133310	DECAL,LABEL,ENG STRT& CONTROLS.....	1				
63	133374	DECAL,INST,OPER INST.S80.....	2				
64	133209	DECAL,RELAY & FUSE PANELS....	1				
65	1000262	DECAL,DANGER,TIP OVER,PLAT.....	1				
66	147795	DECAL, OPER INST 6080X GRD....	1				
		<i>use with S-80X only; from SN 8500</i>					
67	147793	DANGER, TIPOVR, MAX CAP.....	2				
		<i>use with S-80X only; from SN 8500</i>					
68	147755	DECAL,GR CNTL PNL 60X 80X....	1				
		<i>use with S-80X only; from SN 8500</i>					
69	147575	DECAL, PLAT CNTL PNL 60X 80X.....	1				
		<i>use with S-80X only; from SN 8500</i>					

***This Page Intentionally Left Blank***

102.1 Decals with Words, S-85



102.1 Decals with Words, S-85

Item	Part No.	Description	Qty.	Item	Part No.	Description	Qty.
--	122397	DECAL KIT, WORDS, S80/85 <i>(includes items 1- 27, 29- 31, 53, 58, 61 and 63); to SN 8499</i>		23	114258	DECAL,DANGER,NO SMOKING.....	1
--	T108102	DECAL KIT,WORDS,S80/85 <i>(includes items 1- 28, 31, 41, 54 and 58- 62); from SN 8500</i>		24	114389	DECAL,DANGER,GENERAL SAFETY*** .....	2
1	25994	DECAL,NOTICE,SHUTOFF VALVES.....	1	25	114390	DECAL,DANGER,ELECT HAZARD*** .....	2
2	27204	DECAL,ARROW BLUE.....	1	26	114416	DECAL,DANGER,TIPOVER,TILT.....	1
3	27205	DECAL,ARROW YELLOW LRG 9" .....	1	27	114465	DECAL GROUND CONTROL BOX.....	1
4	27206	DECAL,TRIANGLE,BLUE.....	2	28	44986	DECAL,INSTR,SIDE FRC/WIND,AUS.....	1
5	27207	DECAL,TRIANGLE,YELLOW.....	2	29	122627	DECAL,T3 ENGINE SPEC.PERKINS.....	1
6	28161	DECAL,WARN,CRUSH HAZARD HAND.....	5	30	44981	DECAL,LABEL,AIRLINE 110 PSI.....	2
7	28165	DECAL,INSTRUCT,FOOTSWITCH OPER.....	1	31	52865	DECAL,ANNUAL INSP*** .....	1
8	28175	DECAL,WARNING-COMPART ACCESS.....	1	32	52966	DECAL,COSMETIC,4 X 2.....	1
9	28176	DECAL,LABEL,MANUAL NOT HERE.....	1	33	52967	DECAL,COSMETIC,4 X 4.....	1
10	28177	DECAL,WARN,CRUSH HAZARD PLAT.....	2	34	62922	DECAL,COSMETIC,GENIE S-85.....	1
11	28181	DECAL,WARN,NO STEP OR RIDE.....	1	35	62923	DECAL,COSMETIC,S85.....	1
12	28236	DECAL,WARN,IMPROPER OPERATION.....	1	36	65278	DECAL,CAUTION,NO STEP.....	4
13	31788	DECAL,DANGER,BATTERY SAFETY*** .....	1	37	82243	DECAL FAULT CODE.....	1
14	40434	DECAL,LANYARD ANCHORAGE POINT.....	3	38	97815	DECAL,LABEL,LOWER MIDRAIL....	1
15	28158	DECAL,LABEL,UNLEADED GAS ONLY .....	1	39	72875	DECAL,WARNING,PIPE CRADLE,BOOM.....	2
16	28159	DECAL,LABEL,DIESEL FUEL.....	1	40	77046	SERIAL # LABEL,MYLAR 4X8*** .....	1
17	28160	DECAL,LABEL,LIQUID PROPANE.....	1	--	77183	FILM,POLY,CLEAR,4.5 X 8.75	
18	28174	DECAL,POWER TO PLATFORM 230V.....	2	41	82237	DECAL,DANGER,HIGH VOLTAGE.....	3
19	28235	DECAL,POWER TO PLATFORM 115V.....	2	42	82366	DECAL,LABEL-CHEVRON RANDO.....	1
20	30080	DECAL,NOTICE,MAX LOAD 500 LBS.....	1	43	82410	DECAL,WARNING,PANEL CRADLE.....	2
21	38149	DECAL,LABEL,PATENTS.....	1	44	82862	DECAL,FIRE EXTINGUISHER.....	1
22	114099	DECAL,LABEL,TRANSPORT DIAGRAM.....	2	45	97579	DECAL,DANGER,TIP-OVER,WELDER**.	1
				46	97602	DECAL,WARNING,EXPLOSION,ETHER.	1
				47	97875	DECAL,WARN.WELD LINE INST.WORD.....	2
				48	97887	DECAL,INSTR,MAX SIDE FRC,ANSI.....	1
				49	111896	DECAL,ENG.SPECS,CONTINENTAL.	1
				50	122680	DECAL,GRAY STRIP,RH, S80/85.....	1
						<i>to SN 9022</i>	



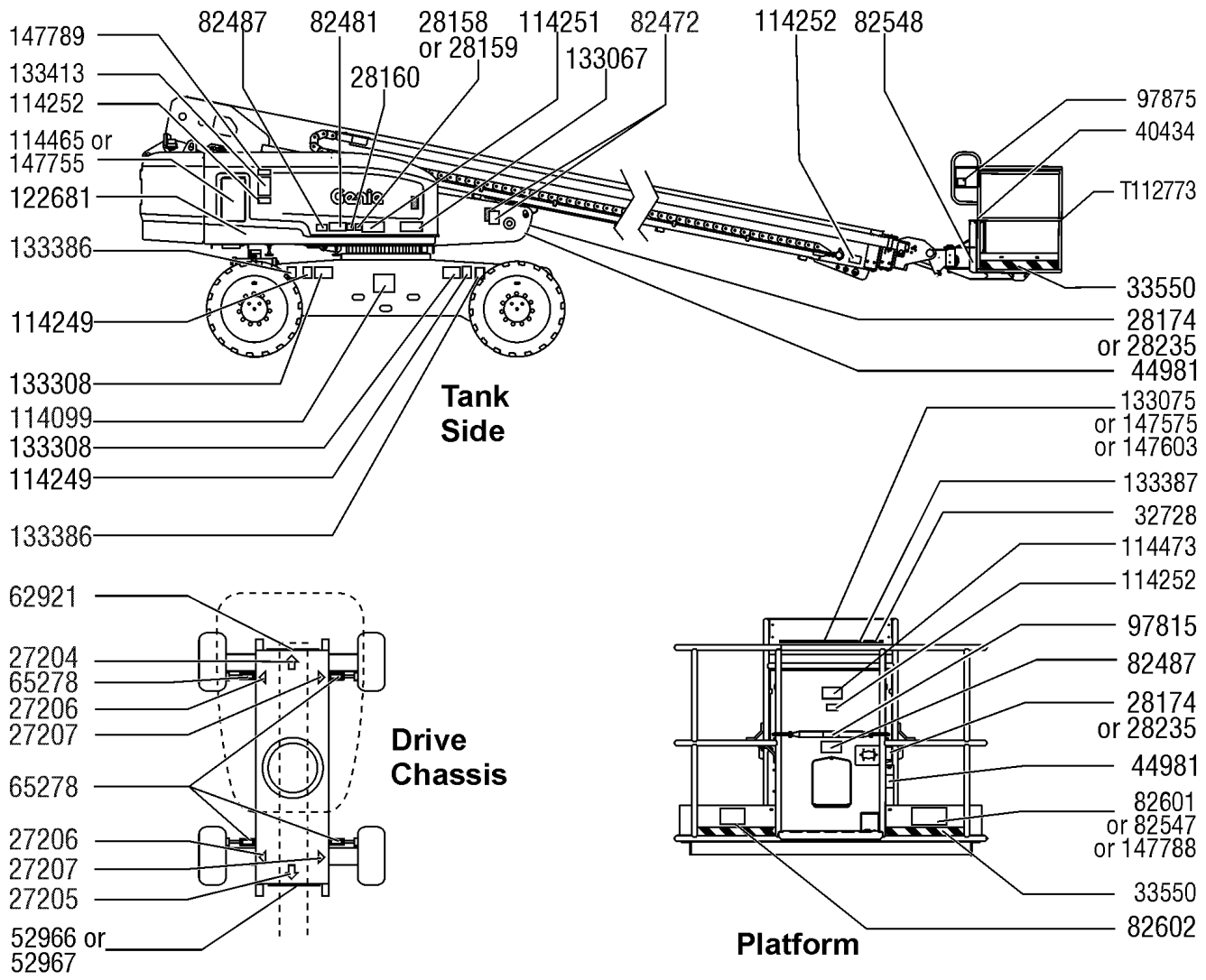
102.1 Decals with Words, S-85  
(continued)

Item	Part No.	Description	Qty.
51	122681	DECAL, GRAY STRIP, LH, S80/85..... <i>to SN 9022</i>	1
52	128953	DECAL,ENGINE SPEC,DEUTZ,TD2011.....	1
53	133075	DECAL,PLATFORM CONTROL PANEL..... <i>to SN 8499</i>	1
--	133307	DECAL,PROTECTOR,CLEAR <i>part of the hostile protection option; to SN 8499</i>	
54	147603	DECAL, PLAT CNTL PNL..... <i>from SN 8500</i>	1
--	T107895	DECAL,PROTECTOR,CLEAR <i>part of the hostile protection option; from SN 8500</i>	
55	133177	DECAL,DANGER/LABEL,TIRE SPECS.....	4
56	133278	DECAL,LOW/ULTRA LOW SULFR FUEL..... <i>(USA only)</i>	1
57	133232	DECAL,LABEL,AUX BATTERY.....	1
58	133209	DECAL,RELAY & FUSE PANELS....	1
59	133309	DECAL,LABEL,WHEEL LOAD S85.....	4
60	133310	DECAL,LABEL,ENG STRT& CONTROLS.....	1
61	1000262	DECAL,DANGER,TIP OVER,PLAT.....	1
62	133372	DECAL,DANGER/LABEL,TIRE SPECHF.....	4
63	133374	DECAL,INST,OPER INST.S80.....	2
64	T112773	TAPE, PROTECTIVE MASK..... <i>from SN 8780</i>	2
65	226517	DECAL,INST,OPER INST,S80,AU <i>(Australia only)</i>	
66	46468	DECAL,FUNCTION OVERRIDE..... <i>(part of airline protection package, from SN 8126)</i>	1

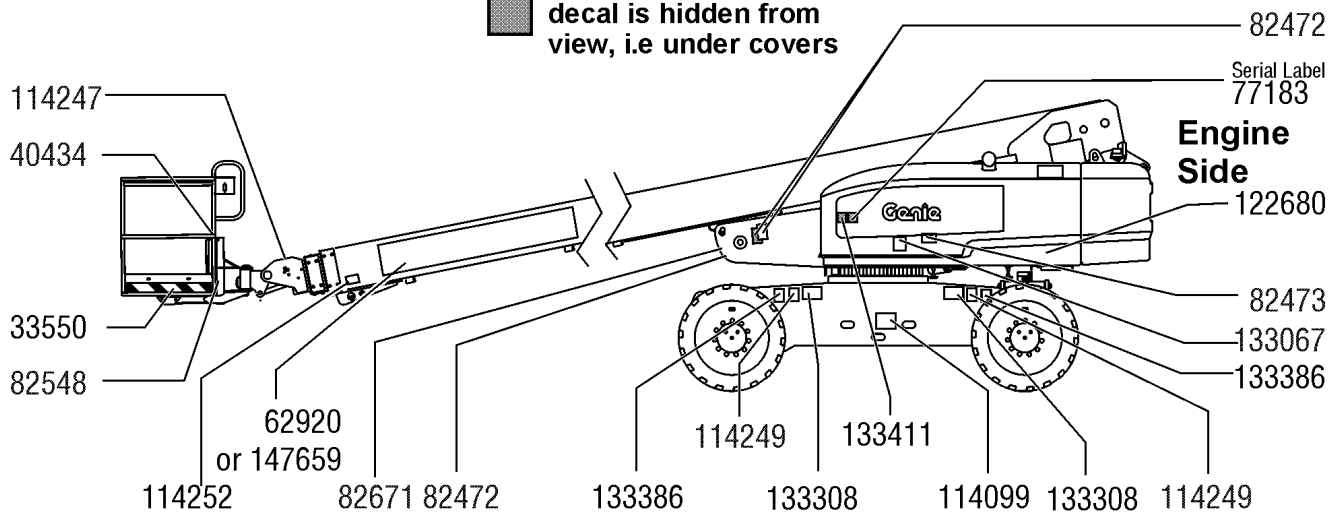


*This Page Intentionally Left Blank*

103.1 Decals with Symbols, S-80X and S-80



■ Shading indicates decal is hidden from view, i.e. under covers



103.1 Decals with Symbols, S-80X and S-80

Item	Part No.	Description	Qty.	Item	Part No.	Description	Qty.
--	122398	DECAL KIT, SYMBOL, S80/85 <i>(includes items 1-20, 37, 43, and 44); to SN 8499</i>		22	28158	DECAL,LABEL,UNLEADED GAS ONLY.....	1
--	T108103	DECAL KIT,SYMBOL,S80X <i>(includes items 1-20, 38, 40 and 43- 46); from SN 8500</i>		23	28159	DECAL,LABEL,DIESEL FUEL.....	1
--	T108104	DECAL KIT,SYMBOL,S80/85 <i>(includes items 1-20, 39 and 43- 45); from SN 8500</i>		24	28160	DECAL,LABEL,LIQUID PROPANE.....	1
1	27204	DECAL,ARROW BLUE.....	1	25	28174	DECAL,POWER TO PLATFORM 230V.....	2
2	27205	DECAL,ARROW YELLOW LRG 9".....	1	26	28235	DECAL,POWER TO PLATFORM 115V.....	2
3	27206	DECAL,TRIANGLE,BLUE.....	2	27	44981	DECAL,LABEL,AIRLINE 110 PSI.....	2
4	27207	DECAL,TRIANGLE,YELLOW.....	2	28	52966	DECAL,COSMETIC,4 X 2.....	1
5	40434	DECAL,LANYARD ANCHORAGE POINT.....	3	29	52967	DECAL,COSMETIC,4 X 4.....	1
6	65278	DECAL,CAUTION,NO STEP.....	4	30	62920	DECAL,COSMETIC,GENIE S-80.....	1
7	82472	DECAL,WARNING,CRUSHING HAZARD.....	5	31	62921	DECAL,COSMETIC,S80.....	2
8	82473	DECAL,SYMBOL-COMP ACCESS.....	1	32	77046	SERIAL # LABEL,MYLAR 4X8***.....	1
9	82481	DECAL,SYMBOL-BATTERY SAFETY.....	1	--	77183	FILM,POLY,CLEAR,4.5 X 8.75	
10	82487	DECAL,SYMBOL-READ THE MANUAL.....	4	33	82602	DECAL,DANGER,MAX SIDE FRC,667N.....	1
11	82548	DECAL,WARN,CRUSH HAZARD PLAT.....	2	34	82671	DECAL,LABEL,WELD LINE INST,SYM.....	2
12	82601	DECAL,LABEL,MAX CAPACITY***.....	1	35	122680	DECAL, GRAY STRIP, RH, S80/85.....	1
13	97815	DECAL,LABEL,LOWER MIDRAIL....	1			<i>to SN 9022</i>	
14	114099	DECAL,LABEL,TRANSPORT DIAGRAM.....	2	36	122681	DECAL, GRAY STRIP, LH, S80/85.....	1
15	114247	DECAL,LABEL,FALL HAZARD***.....	1			<i>to SN 9022</i>	
16	114249	DECAL,LABEL,TIPOVER,TIRES,SYMB.4		37	133075	DECAL,PLATFORM CONTROL PANEL.....	1
17	114251	DECAL,LABEL,NO SMOKING,SYMB.....	1			<i>to SN 8499</i>	
18	114465	DECAL GROUND CONTROL BOX.....	1	--	133307	DECAL,PROTECTOR,CLEAR <i>part of the hostile protection option; to SN 8499</i>	
19	114473	DECAL,DANGER,TIPOVER,TILT SYM.....	1	38	147575	DECAL, PLAT CNTL PNL 60X 80X.....	1
20	133067	DECAL,DANGER,ELEC.HAZ.STAY CLR.....	2			<i>use with S-80X only; from SN 8500</i>	
21	82547	DECAL,DANGER,MAX LOAD 340 KG.....	1	--	T107895	DECAL,PROTECTOR,CLEAR <i>part of the hostile protection option; from SN 8500</i>	
				39	147603	DECAL, PLAT CNTL PNL.....	1
						<i>from SN 8500</i>	
				--	T107895	DECAL,PROTECTOR,CLEAR <i>part of the hostile protection option; from SN 8500</i>	
				40	147789	DECAL,INST PLAT CAP S80X SYM.....	1
						<i>use with S-80X only; from SN 8500</i>	



103.1 Decals with Symbols, S-80X and S-80  
(continued)

Item	Part No.	Description	Qty.
41	133308	DECAL,LABEL,WHEEL LOAD S80.....	4
42	133386	LABEL,TIRE PRESSURE, HF.....	4
43	133387	DECAL,DRIVE ENABLE PATCH.....	1
44	133413	DECAL, EMERGENCY LOWERING.....	1
45	114252	DECAL,LABEL,TIP OVER LMT SWTCH.....	3
46	147755	DECAL,GR CNTL PNL 60X 80X..... <i>use with S-80X only; from SN 8500</i>	1
47	33550	TAPE,WARNING,BLK/YEL, 50'*** .....	197-inches
48	147659	DECAL,COSM GENIE S80X..... <i>use with S-80X only; from SN 8500</i>	1
49	T112773	TAPE, PROTECTIVE MASK <i>from SN 8780</i>	