



A TEREX BRAND

Parts Manual

Serial Number Range

S-60

from SN 2575 to 9153

S-65

Part No. 48411

Rev G17

April 2012

Technical Publications

Genie Industries has endeavored to deliver the highest degree of accuracy possible. However, continuous improvement of our products is a Genie policy. Therefore, product specifications are subject to change without notice.

Readers are encouraged to notify Genie of errors and send in suggestions for improvement. All communications will be carefully considered for future printings of this and all other manuals.

Contact Us:

<http://www.genieindustries.com>
 e-mail: awp.techpub@terex.com

Serial Number Information

Genie Industries offers the following Parts Manuals for these models:

Title	Part No
Genie S-60 Parts Manual (before serial number 653)	28780
Genie S-60 and S-65 Parts Manual (from serial number 653 to 2574)	34477

Manuals


Genie Industries offers the following support documents for these models:

Title	Part No
Genie S-60 and S-65 Operator's Manual (from SN 1646 to 9153)	43648
Genie S-60 and S-65 Service Manual (from SN 5389 to 9153)	65196
Genie Industries Schematic and Diagram Manual	65784
EMI Safety Manual	27581
Manual of Responsibilities ANSI A92.5	31779

Copyright © 1997 by Genie Industries

48411 Rev E March 2009
 Second Edition, Fifth Printing

"Genie" and "S" are registered trademarks of Genie Industries in the USA and many other countries.

 Printed on recycled paper



A TEREX COMPANY

Model: S-60

Serial number: S6001-12345

Model year: 2001 **Manufacture date:** 04/12/01

Electrical schematic number: E0186

Machine unladen weight: 20,736lbs / 9,406kg
Foam Tires add 764 lbs/347 kg to weight

Rated work load (including occupants): 500 lb / 227 kg

Maximum number of platform occupants: 2

Maximum allowable side force : 150 lb / 670 N

Maximum allowable inclination of the chassis:

Air Tires 2 deg / Foam Tires 4.5 deg

Maximum wind speed : 28 mph/ 12.5 m/s

Maximum platform height : 60 ft 2 in/ 18.3 m

Maximum platform reach : 50 ft 4 in/ 15.3 m

Gradeability: 45%

Country of manufacture: USA

This machine complies with:

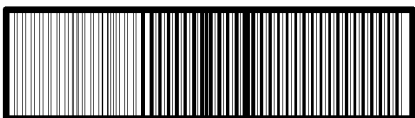
ANSI A92.5
CAN B.354.4

Genie Industries

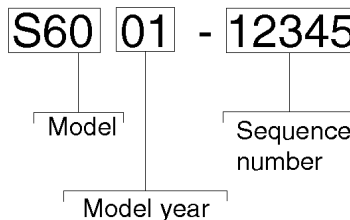
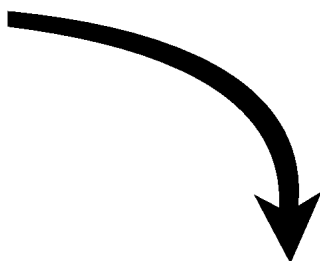
18340 NE 76th Street

Redmond, WA 98052

USA



11111111



Serial label
(located under cover)

Serial number
stamped on chassis

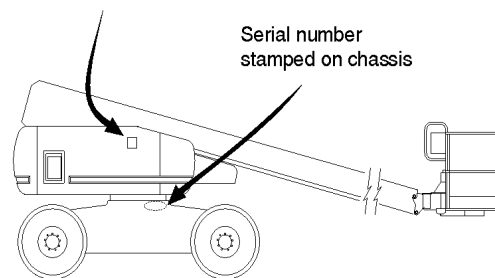


Table of Contents

This manual is updated frequently. If you have a printed manual, you can keep it up to date by downloading new figures from the Genie website at www.genielift.com. For the most up-to-date parts information, visit the Parts Lookup System on the Genie website at www.genielift.com.

How to Read Your Serial Number.....3
 Parts Stocking List.....7
 How to Order Parts.....8
 Service Parts Fax Order Form.....9

Electronic Version

Click on any page number to view the figure.

100 Decals and Paint

101.1 Decals and Paint - View 1.....10
 102.1 Decals and Paint - View 2.....12

200 2WD Drive Chassis Components

201.1 2WD Steer Axle Linkage - Oscillating Models.....14
 202.1 2WD Steer Axle Linkage - Non-oscillating Models.....16
 203.1 2WD Steer Axle - Wheels and Hubs.....18
 204.1 2WD Drive Manifold.....20
 205.1 2WD Non-steer Axle.....22
 206.1 2WD Oscillation Manifold and Control Valve.....24
 207.1 2WD Hydraulic Hoses and Fittings - Drive and Steer Systems.....26
 208.1 2WD Hydraulic Hoses and Fittings - Oscillation System.....28

300 4WD Drive Chassis Components

301.1 Steer Axle Linkage - Oscillating Models.....30
 302.1 Steer Axle Linkage - Non-oscillating Models.....32
 303.1 Steer Axle - Wheels and Hubs.....34
 304.1 Drive Manifold (to SN 7809).....36
 304.2 Drive Manifold (from SN 7810 to 21231).....38
 304.3 Drive Manifold (from SN 21232).....40
 305.1 Non-steer Axle.....42
 306.1 Oscillation Manifold and Control Valve.....46
 307.1 Hydraulic Hoses and Fittings - Drive and Steer Systems.....48
 308.1 Hydraulic Hoses and Fittings - Oscillation System.....50

400 Engine Components

401.1 Ford LRG-423 Engine - View 1 (to SN 3089).....52

401.2 Ford LRG-425 EFI Engine - View 1 (from SN 3090 to 7832).....54
 401.3 Ford LRG-425 EFI Engine - View 1 (from SN 7833).....58
 402.1 Ford LRG-423 Engine - View 2 (to SN 3089).....60
 402.2 Ford LRG-425 EFI Engine - view 2 (from SN 3090).....64
 403.1 Ford LRG-423 Engine - View 3 (to SN 3089).....68
 403.2 Ford LRG-425 EFI Engine - View 3 (from SN 3090).....70
 404.1 Deutz F4L 1011F Engine - View 1.....72
 405.1 Deutz F4L 1011F Engine - View 2.....74
 406.1 Deutz F4L 1011F Engine - View 3.....76
 407.1 Perkins 704-30 Engine - View 1.....78
 408.1 Perkins 704-30 Engine - View 2.....80
 409.1 Perkins 704-30 Engine - View 3.....82
 410.1 Perkins 704-30 Engine - View 4.....84
 411.1 Perkins 704-30 Engine - View 5.....86

500 Turntable Components

501.1 Hydraulic and Fuel Tanks - Gasoline/LPG Models (with metal fuel tank).....88
 502.1 Hydraulic and Fuel Tanks - Gasoline/LPG Models (with plastic fuel tank).....90
 503.1 Hydraulic and Fuel Tanks - Diesel Models (with metal fuel tank).....92
 504.1 Hydraulic and Fuel Tanks - Diesel Models (with plastic fuel tank).....94
 505.1 Function Manifold and Auxiliary Power Unit Installation.....96
 506.1 Function Manifold.....100
 507.1 Turntable Rotator and Hydraulic Rotary Coupler Installation.....104
 508.1 Ground Controls - View 1.....108
 509.1 Ground Controls - View 2 (to SN 7837).....110
 509.2 Ground Controls - View 2 (from SN 7838).....114
 510.1 Turntable Covers - View 1, Tank Side.....116
 511.1 Turntable Covers - View 2, Engine Side.....118
 512.1 Turntable Covers and Oil Cooler Option - View 3.....120
 513.1 Hydraulic Hoses and Fittings.....122
 514.1 Wire Harness Diagram (from SN 7838).....124

600 Boom Components

601.1 Boom Lift and Master Leveling Cylinder Installation.....126
 602.1 Boom Assembly - View 1 (to SN 3648).....128
 602.2 Boom Assembly - View 1 (from SN 3649).....130
 603.1 Boom Assembly - View 2 (to SN 3648).....132
 603.2 Boom Assembly - View 2 (from SN 3649).....134
 604.1 Cable Track Installation.....136
 605.1 Slave Cylinder and Platform Rotator (to SN 7400).....140
 605.2 Slave Cylinder and Platform Rotator (from SN 7401).....142

606.1 Jib Boom and Platform Rotator (to SN 7400).....	144
606.2 Jib Boom and Platform Rotator (from SN 7401).....	146
607.1 Hydraulic Hoses and Fittings - S-60.....	148
608.1 Hydraulic Hoses and Fittings - S-65.....	150
609.1 Jib Detail.....	152

700 Platform Components

701.1 Platform Installation.....	154
702.1 Platform Controls - View 1 (to SN 7837).....	156
702.2 Platform Controls - View 1 (from SN 7838).....	158
703.1 Platform Controls - View 2.....	160
704.1 Joystick Controller - Drive/Steer Functions.....	162
705.1 Joystick Controller - Extend/Retract, Single Axis.....	164
706.1 Joystick Controller - Boom Functions, Dual Axis.....	166

800 Accessories

801.1 Alarm and Beacon Package.....	168
802.1 Platform Options.....	170
803.1 Air Line to Platform.....	172
804.1 Generator and Spare LPG Tank.....	174
805.1 Hydraulic Hoses and Fittings - Generator Option.....	178
806.1 Cold Start Package.....	180
807.1 Hostile Environment Package, Bellows and Cylinders.....	182
808.1 Hostile Environment Package, Turntable.....	184
809.1 Hostile Environment Package, Boom and Turntable Covers.....	186
810.1 Hostile Environment Package, Cable Track.....	188
811.1 Hostile Environment Package, Engine.....	190
812.1 Drive Light Option.....	192
813.1 Load Sensor Option.....	194

Indices

Part Number Index.....	196
Part Description Index.....	202

Cross References

Fittings Cross Reference.....	212
-------------------------------	-----

Notes

How To Use This List

The service parts listed below have been divided into four priority groups: A, B, C and D. Use the group code and quantities listed to plan enough inventory to support your fleet. The quantities shown are recommended for 1 to 5 machines. Many of these service parts are common to other Genie products.

Group A parts are required to perform maintenance procedures as outlined in the *Genie S-60 and Genie S-65 Service Manual*.

Group B parts solve 75% of machine troubleshooting issues.

Group C parts affect the safe operation of the machine.

Group D parts are common replacement items.

Group A

Part No.	Description	Qty.
49612	Plug and Cap Kit (for ORFS fittings).....	1
46014	Filter Element, 6 Micron Fiberglass.....	5
62421	Filter - Fuel (Perkins models).....	5
63463	Filter - Air (Perkins models).....	2
62420	Element - Air Filter (Perkins models).....	5
20880	Filter - Hydraulic, Medium Pressure.....	5
33971	Filter - Fuel (Gasoline/LPG models).....	5
28656	Filter - Engine Oil (Gasoline/LPG models).....	5
49924	Filter - Engine Oil (Deutz Diesel models).....	5
29560	Filter - Fuel (Deutz Diesel models).....	5
27916	Element - Air Filter.....	5
28647	Spark Plug (Gasoline/LPG models).....	4
33961	Serpentine Belt (Gasoline/LPG models).....	1
33957	Valve - PCV (Gasoline/LPG models).....	1
32698	V-Belt (Deutz Diesel models).....	1
65490	Belt - Fan (Perkins models).....	1

Group B

Part No.	Description	Qty.
28750	O-Ring Kit (valves).....	1
49613	O-Ring Kit (for ORFS fittings).....	1
65517	Seal Kit - Steering Cylinder.....	1
63350	Seal Kit - Master & Slave Cylinders.....	1
63340	Seal Kit - Extension Cylinder, Primary End.....	1
63341	Seal Kit - Extension Cylinder, Platform End.....	1
33440	Seal Kit, 73:1 Drive Hub.....	1
29291	Seal Kit - Mico Brake.....	1
33444	Seal Kit - Drive Motor (2WD models).....	1
65865	Seal Kit - Drive Motor (4WD models).....	1
29739	Seal Kit - Drive Pump.....	1
49528	Seal Kit - Hydraulic Rotary Coupler.....	1
33930	Seal Kit - Platform Rotator.....	1
34052	Relay - SPDT, 12V.....	1
21982	Key - Ignition.....	5
16397	Switch - Toggle, DPDT.....	1
13037	Switch - Toggle, SPDT.....	1
13480	Switch - Toggle, DPDT, 2 Position, Momentary.....	1
27378	Switch - Toggle, DPDT, 2 Position, Maintained.....	1
45827	Solenoid - Fuel Shutoff, 12V DC (Gas/LPG).....	1
43181	Capacitor - Time Delay (S-65 models).....	1
27155	Solenoid, 12V DC Continuous.....	1
24018	Circuit Breaker, 15A.....	1
19274	Relay - SPDT, 12V (S-65 models).....	1
33954	Wire Set - Spark Plugs.....	1
33967	Ignition Start Module (Gasoline/LPG models).....	1
45782	Diode, 6A.....	10
45081	Contact - N.O.....	2
29073	Solenoid (Deutz Diesel models).....	1
29732	Contact - N.C.....	2

Group C

Part No.	Description	Qty.
43648	Operator's Manual.....	5
52056	Decal Kit - Safety/Instructional, Gasoline/LPG.....	1
46200	Decal Kit - Safety/Instructional, Diesel.....	1
41769	Valve - D03, 10V DC.....	1
27801	Valve - Proportional Solenoid, 12V.....	1
27804	Valve - Differential Sensing, 150 psi (12 bar).....	1
33428	Valve - Counterbalance.....	1
32722	Valve - Counterbalance.....	1
33438	Valve - Counterbalance.....	1
40134	Valve - Sequence.....	1
36188	Valve - Counterbalance.....	2
36207	Valve - Counterbalance.....	1
43169	Valve - Counterbalance.....	1
29066	Valve - Solenoid, 10V DC.....	2
44586	Level Sensor.....	1
19491	Contact - Limit Switch.....	1
25050	Limit Switch - with Roller Arm.....	1
19270	Alarm - Warble Tone.....	1
32335	Indicator Light, 12V DC.....	1
20424	Joystick Controller - Drive/Steer Functions.....	1
24495	Joystick Controller - Boom Functions, Single Axis.....	1
40613	Joystick Controller - Boom Functions, Dual Axis.....	1
83005	Valve - Solenoid, 10V DC.....	1
83006	Valve - Solenoid, 10V DC.....	1

Group D

Part No.	Description	Qty.
29314	Key - Latch Assembly (Turntable Covers).....	2
46677	7 Piece Cable Track Repair Kit (steel).....	1
25881	Boot - Thumb Rocker (20424 controller).....	2
25882	Ring - Lock (20424 controller).....	1
25883	Handle Half Set (pair) (20424 controller).....	1
22368	Boot - Joystick Shaft (20424 controller).....	2
22364	Potentiometer (20424 controller).....	1
23680	Microswitch - Handle (20424 controller).....	2
27133	Handle - Cap (24495 & 40613 controllers).....	2
27134	Boot - Joystick Shaft (24495 & 40613 controllers).....	2
19712	Microswitch (24495 & 40613 controllers).....	2
27246	Rubber - Toggle Switch Boot.....	5
32150	Genie Blue Paint, 1 Gallon.....	1
1484	Genie Blue Paint, 12 Ounce Aerosol.....	1
32151	Genie Gray Paint, 1 Gallon.....	1
1268	Genie Gray Paint, 12 Ounce Aerosol.....	1

How To Order Parts

Please be prepared with the following information when ordering replacement parts for your Terex or Genie product:

- Machine model number
- Machine serial number
- Part number
- Part description and quantity
- Purchase order number
- "Ship to" address
- Desired method of shipment
- Name and telephone number of the authorized distributor in your area

Use the Service Parts Fax Order Form on the next page and fax your order to our Parts Department.

If you don't know the name of your authorized distributor, or if your area is not currently serviced by an authorized distributor, please call Terex or Genie Industries.

Machine Information

Model

Serial Number

Date of Purchase

Authorized Genie Distributor

Phone Number

North America

Telephone (425) 556-6551
 Toll Free (877) 367-5606 in U.S.A. and Canada
 Fax (425) 556-8659
 Toll Free Fax (888) 274-6192

Europe

Parts Telephone (31) (165) 519 313
 Parts Fax (31) (165) 511 148

Australia

Parts Telephone (61) (7) 3456 4444
 Parts Fax (61) (7) 3456 4466

South America

Parts Telephone (55) (11) 4082 5600
 Parts Fax (55) (11) 4082 5630



Service Parts Fax Order Form

Fax to: (425) 556-8659 or Toll Free: 888-274-6192
International: +1-425-556-8659

Please fill out completely

Date _____ Account Number _____
 Your Name _____ Your Fax Number _____
 _____ Your Phone Number _____
 Bill To _____ Ship To _____

 Purchase Order Number _____ Ship Via _____

Model(s) _____ **Serial No.(s)** _____

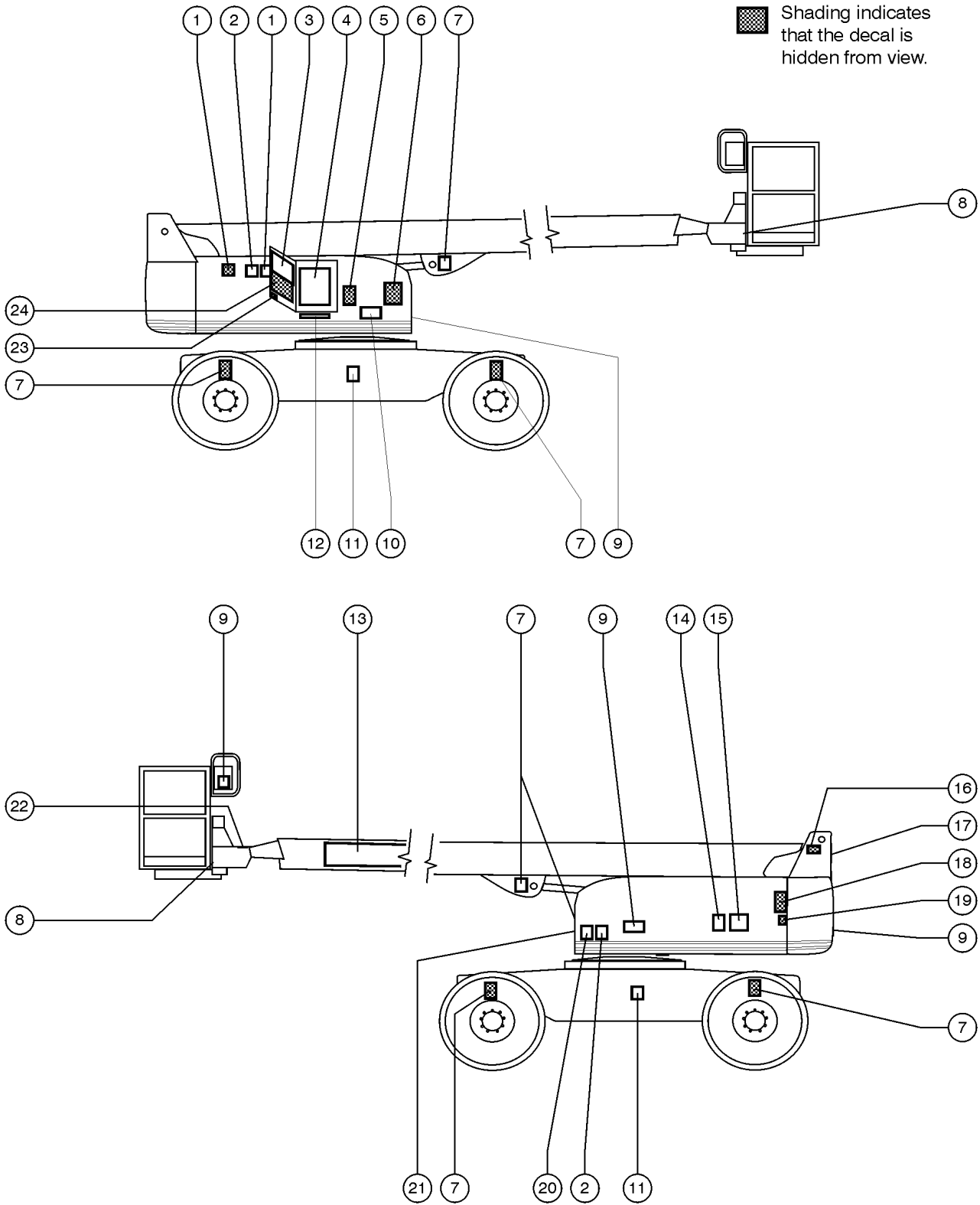
Optional Equipment _____

Part Number	Description	Quantity	Price

All back-ordered parts will be shipped when available via the same ship method as the original order unless Noted below:

- Ship complete order only - No back orders
- Ship all available parts and contact customer on disposition of back-ordered parts
- Other (please specify)

101.1 Decals and Paint - View 1

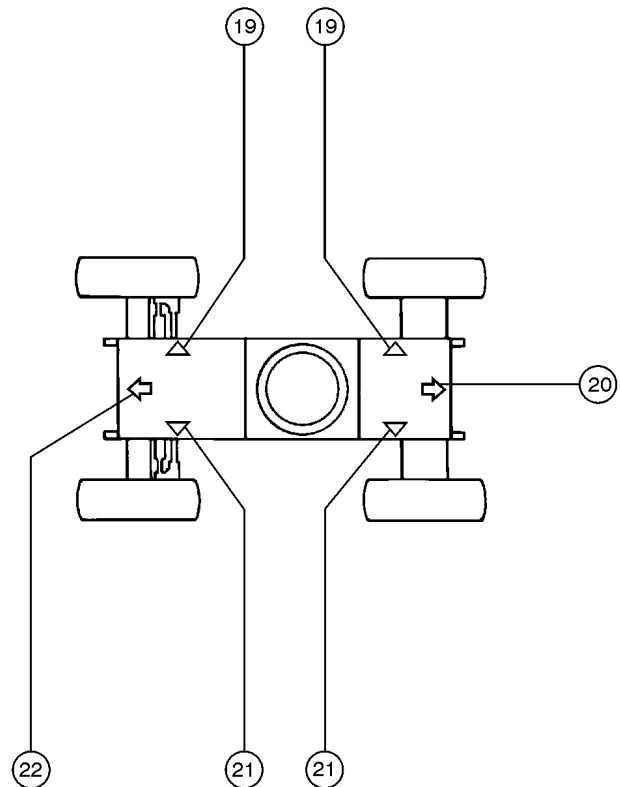
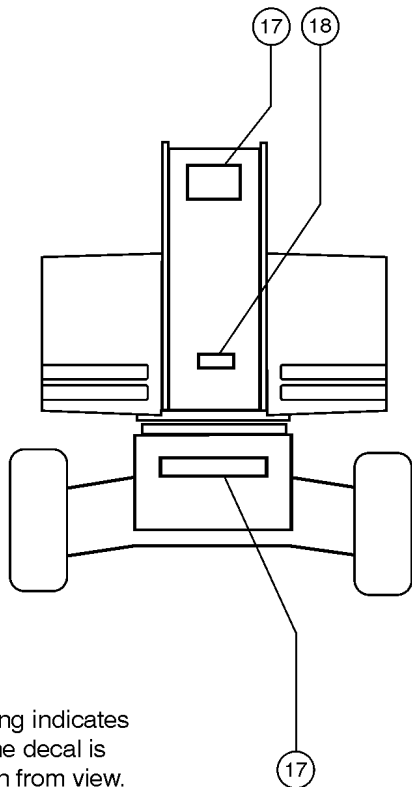
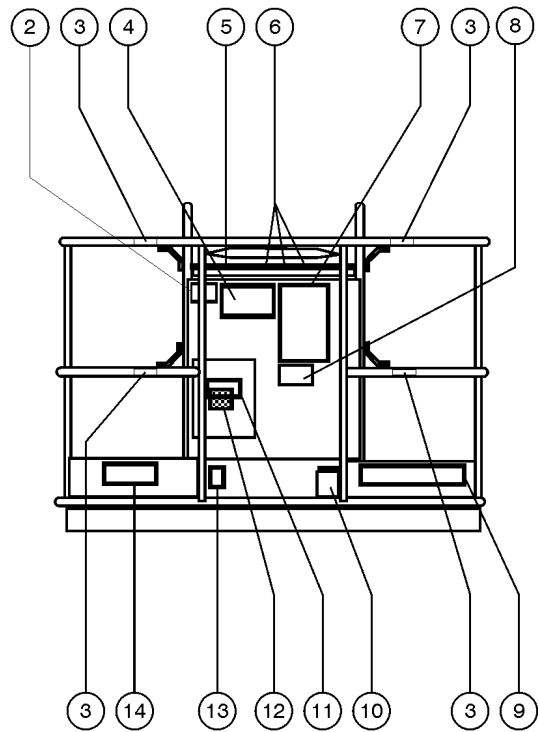
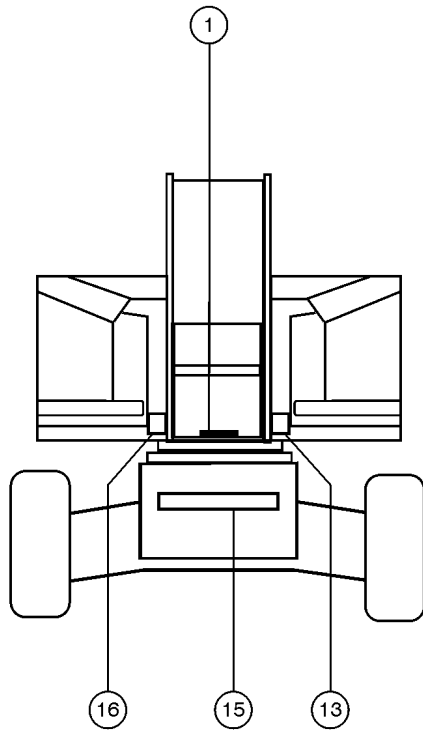



101.1 Decals and Paint - View 1

Item	Part No.	Description	Qty.	Item	Part No.	Description	Qty.
--	1268	PAINT,AEROSOL,GENIE GRAY***		15	28175	DECAL,WARNING-COMPART ACCESS.....	1
--	1484	PAINT,AEROSOL,BRIGHT BLUE***		16	31060	DECAL,DANGER DO NOT ALTER SWTC.....	1
--	32150	PAINT,WET,GENIE BLUE (1 GL)**		17	62077	DECAL,COSMETIC,S60.....	1
--	32151	PAINT,WET,GENIE GRAY (1 GL)**		17	62079	DECAL,COSMETIC,S65.....	1
--	46200	DECAL KIT,INSTRUCT,S60/65 DSL <i>Diesel Models; kit does not include Index No's. 4, 6, 9, 13, 17, 18, 20, 21 and 23</i>		18	49741	DECAL,NOTICE,FORD EFI ENG SPEC.....	1
--	52056	DECAL KIT,INSTR,S60/65 GAS*** <i>Gasoline/LPG Models; kit does not include Index No's. 4, 6, 9, 13, 17, 18, 19, 21 and 23</i>		--	53037	DECAL,NOTICE,DEUTZ ENG SPEC.....	1
1	28158	DECAL,LABEL,UNLEADED GAS ONLY.....	2	--	82644	DECAL, ENGINE SPEC, PERKINS.....	1
--	28159	DECAL,LABEL,DIESEL FUEL.....	2	19	35599	DECAL,NOTICE,AIR INLET*** <i>Diesel Models</i>	1
2	28171	DECAL,DANGER,NO SMOKING***.....	2	20	28160	DECAL,LABEL,LIQUID PROPANE.....	1
3	43647	DECAL,NOTICE,OPER INST.IC***.....	1	21	44981	DECAL,LABEL,AIRLINE 110 PSI.....	2
4	49926	DECAL,GND CONT PNL,S45/60/80** <i>to SN 6829</i>	1	22	28181	DECAL,WARN,NO STEP OR RIDE.....	1
--	72160	DECAL,GND CONT PNL,S45/S60/80..... <i>from SN 6830</i>	1	23	52972	DECAL,CE MARK,3".....	1
5	25994	DECAL,NOTICE,SHUTOFF VALVES.....	1	--	97890	DECAL,DANGER,GEN SAFETY RULES.....	1
6	77046	SERIAL # LABEL,MYLAR 4X8***.....	1	24	28157	DECAL,USE DEXRON***.....	1
7	28161	DECAL,WARN,CRUSH HAZARD HAND.....	7				
8	28177	DECAL,WARN,CRUSH HAZARD PLAT.....	2				
9	28235	DECAL,POWER TO PLATFORM 115V.....	1				
--	28174	DECAL,POWER TO PLATFORM 230V.....	1				
10	27564	DECAL,DANGER,ELEC.HAZ.STAY CLR.....	3				
11	33973	DECAL,NOTICE,TIRE PRESSURE.....	2				
12	43663	DECAL,NOTICE, FUNCTION ENABLE*.....	1				
13	62076	DECAL,COSMETIC,GENIE S-60.....	1				
13	62078	DECAL,COSMETIC,GENIE S65.....	1				
14	28164	DECAL,NOTICE,HAZARDOUS MAT'LS*.....	1				



102.1 Decals and Paint - View 2



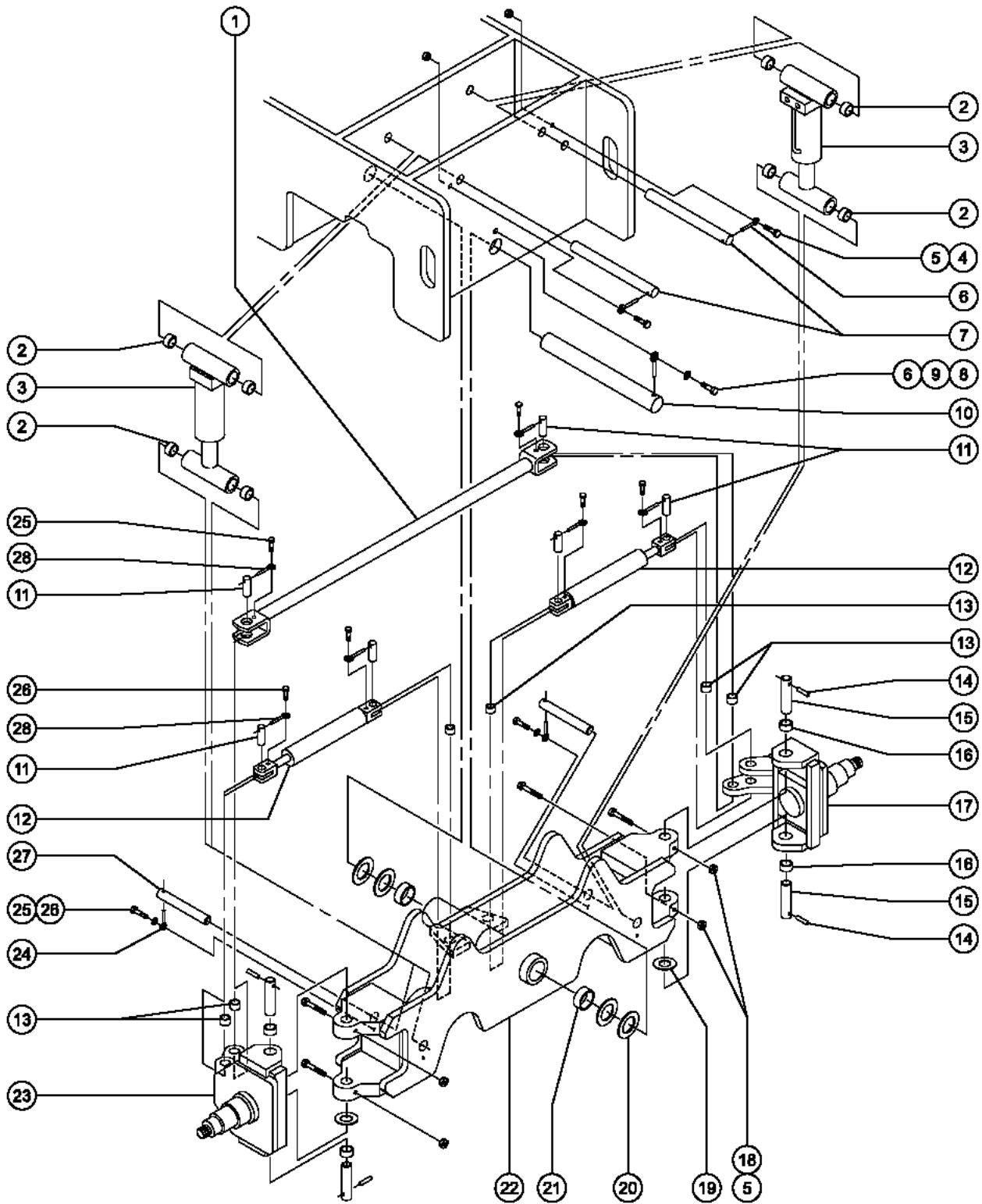
 Shading indicates that the decal is hidden from view.

102.1 Decals and Paint - View 2

Item	Part No.	Description	Qty.	Item	Part No.	Description	Qty.
--	1268	PAINT,AEROSOL,GENIE GRAY***		--	44769	DECAL,LABEL,LFT/DRV SELECT.....	1
--	1484	PAINT,AEROSOL,BRIGHT BLUE***		--	72867	DECAL,LABEL,LIGHTS***	1
--	32150	PAINT,WET,GENIE BLUE (1 GL)**		7	97890	DECAL,DANGER,GEN SAFETY RULES.....	1
--	32151	PAINT,WET,GENIE GRAY (1 GL)**		8	43595	DECAL,DANGER,TIP-OVER,TIRES***.1	
--	46200	DECAL KIT,INSTRUCT,S60/65 DSL <i>Diesel Models; kit does not include Index No's. 5, 6, 8, 9, 13, 14, 15, 16 and 17</i>		9	30080	DECAL,NOTICE,MAX LOAD 500 LBS.....	1
--	52056	DECAL KIT,INSTR,S60/65 GAS*** <i>Gasoline/LPG Models; kit does not include Index No's. 5, 6, 8, 9, 13, 14, 15, 16 and 17</i>		--	32998	DECAL,NOTICE,MAX LOAD 600 LBS.....	1
1	28161	DECAL,WARN,CRUSH HAZARD HAND.....	1	10	28165	DECAL,INSTRUCT,FOOTSWITCH OPER.....	1
2	33952	DECAL,DANGER,TILT ALARM***....1		11	28236	DECAL,WARN,IMPROPER OPERATION.....	1
3	40434	DECAL,LANYARD ANCHORAGE POINT.....	4	12	28176	DECAL,LABEL,MANUAL NOT HERE.....	1
4	43647	DECAL,NOTICE,OPER INST.IC***	1	13	44981	DECAL,LABEL,AIRLINE 110 PSI....2	
5	32941	DECAL,PLATFORM CTRL PANEL ***	1	14	97887	DECAL,INSTR,MAX SIDE FRC,ANSI.....	1
		<i>to SN 3099</i>				<i>ANSI and CSA models</i>	
--	33949	DECAL,PROTECTOR PLAT,S80/60***	1	--	44986	DECAL,INSTR,SIDE FRC/WIND,AUS.....	1
--	52156	DECAL,PLATFORM CTRL PANEL.....	1			<i>CE models</i>	
		<i>from SN 3100 to SN 6829</i>		15	52966	DECAL,COSMETIC,4 X 2.....	1
--	72162	DECAL,PLATFORM CTRL PANEL.....	1	--	52967	DECAL,COSMETIC,4 X 4.....	1
		<i>from SN 6830</i>		16	28235	DECAL,POWER TO PLATFORM 115V.....	1
--	72251	WRAP,STRETCH 3" #603033.....	1	--	28174	DECAL,POWER TO PLATFORM 230V.....	1
5A	32941	DECAL,PLATFORM CTRL PANEL ***	1	17	62077	DECAL,COSMETIC,S60.....	2
		<i>to SN 3099</i>		17	62079	DECAL,COSMETIC,S65.....	2
--	33949	DECAL,PROTECTOR PLAT,S80/60***	1	18	27564	DECAL,DANGER,ELEC.HAZ.STAY CLR.....	1
5B	52156	DECAL,PLATFORM CTRL PANEL.....	1	19	27207	DECAL,TRIANGLE,YELLOW.....	2
		<i>from SN 3100 to SN 6829</i>		20	27205	DECAL,ARROW YELLOW LRG 9"	1
5C	72162	DECAL,PLATFORM CTRL PANEL.....	1	21	27206	DECAL,TRIANGLE,BLUE.....	2
		<i>from SN 6830</i>		22	27204	DECAL,ARROW BLUE.....	1
6	49927	DECAL,OPTION GLOW PLUGS***	1				
--	32728	DECAL,OPTION GENERATOR***...1					



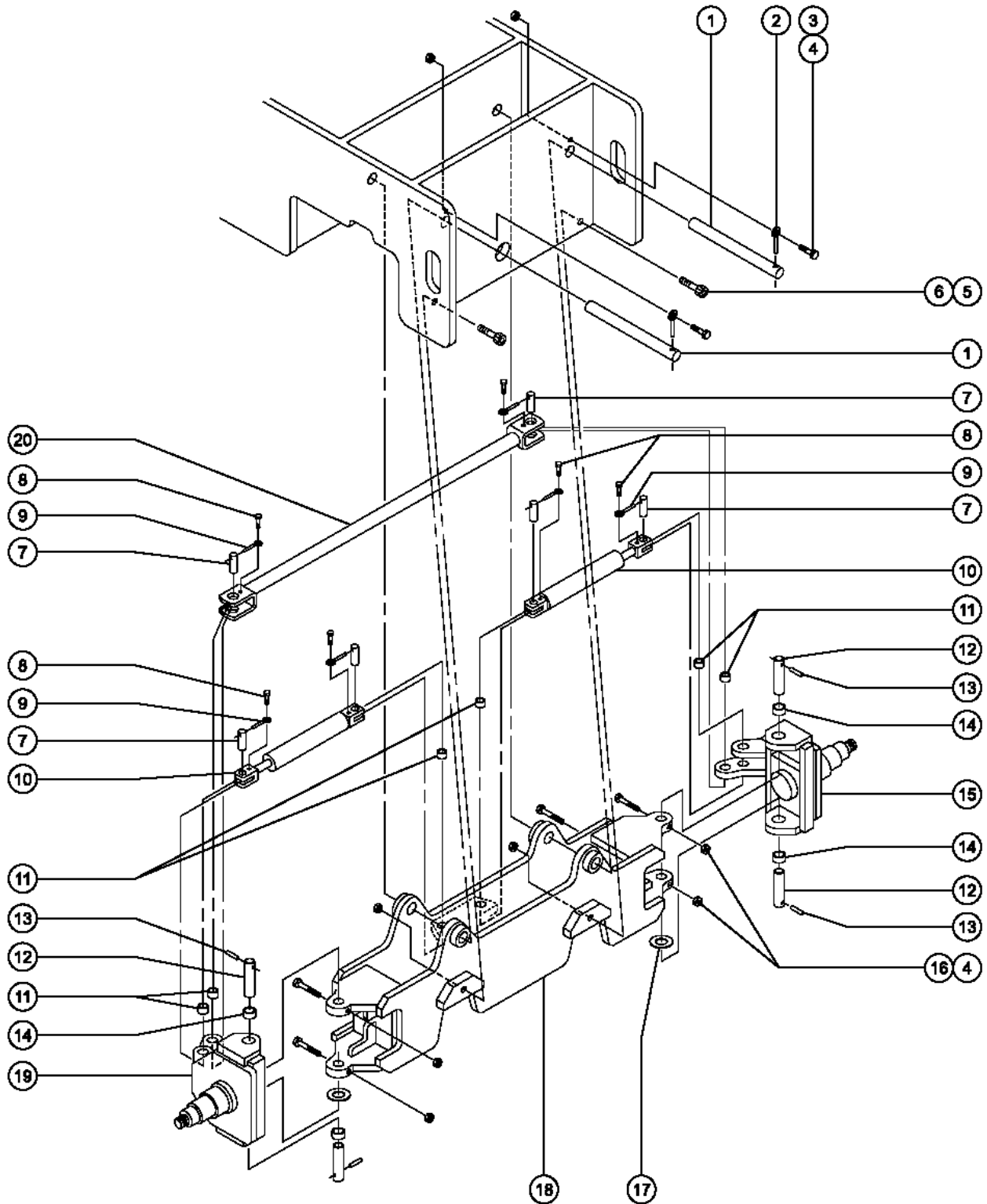
201.1 2WD Steer Axle Linkage - Oscillating Models



201.1 2WD Steer Axle Linkage - Oscillating Models

Item	Part No.	Description	Qty.	Item	Part No.	Description	Qty.
1	63156	TIE ROD WELDMENT,S60.....	1	26	6021	WASHER,LOCK,.375.....	2
2	45072	BEARING,GARLOCK,24DU24.....	8	27	47955	PIN,1.50DIAX10.45LG,1HOLE.....	2
3	63215	CYLINDER, OSCILLATE, S60.....	2	28	25284	ROD END,.375 X 2.25***.....	6
--	33428	VALVE,COUNTERBALANCE.....	2				
--	63355	SEAL KIT CYL.S60(63215).....	2				
4	6096	SCREW,HHC,1/2-13 X 2 GR5.....	2				
5	6086	NUT,LP NYLOCK,1/2-13.....	6				
6	30418	ROD END,0.5 X 3.75***.....	3				
7	30731	PIN,PRIM.BOOM,16.0 X 1.5 INCH.....	2				
8	8177	SCREW,HHC,1/2-13 X 1.5.....	1				
9	6033	WASHER,LOCK,0.5".....	1				
10	34642	PIN,2.50DIAX23.38LG,1HOLE.....	1				
11	30734	PIN,1.00DIAX2.88LG,1HOLE.....	6				
12A	53463	KIT,STEER CYLINDER,RETRO S60**.....	2				
		<i>to SN 3908; includes 88346</i>					
12B	88346	CYLINDER,S60/65 STEER***.....	2				
		<i>from SN 3909</i>					
--	88347	SEAL KIT,STEER CYL,S60/65***.....	2				
13	53452	BEARING,1.00IDX1.50ODX1.00L....	6				
14	14815	PIN,ROLL,SST,.25 X 2.25.....	4				
15	53081	PIN,1.50DIAX4.76LG,2HOLE.....	4				
16	45071	BEARING,1.5IDX1.75ODX1.5L.....	4				
17	35002	YOKE ASSEMBLY,L.S.,2WD, S-60.....	1				
		<i>includes 2 each index numbers 13 and 16</i>					
18	8220	SCREW,HHC,1/2-13 X 4.....	4				
19	45074	WASHER,THRUST,1.5 X 3.5 X .187.....	2				
20	29746	WASHER,FLAT,2.5 X 4 X .062					
21	27698	BEARING,2.50IDX2.75ODX2.00L....	2				
22	33908	STEER AXLE ASSEMBLY, OSC, S-60.....	1				
		<i>includes 2 each index numbers 13 and 21</i>					
23	35001	YOKE ASSEMBLY,R.S.,2WD, S-60.....	1				
		<i>includes 2 each index numbers 13 and 16</i>					
24	45226	ROD END,.375 X 3.69.....	2				
25	6175	SCREW,HHC,3/8-16 X 1.....	8				

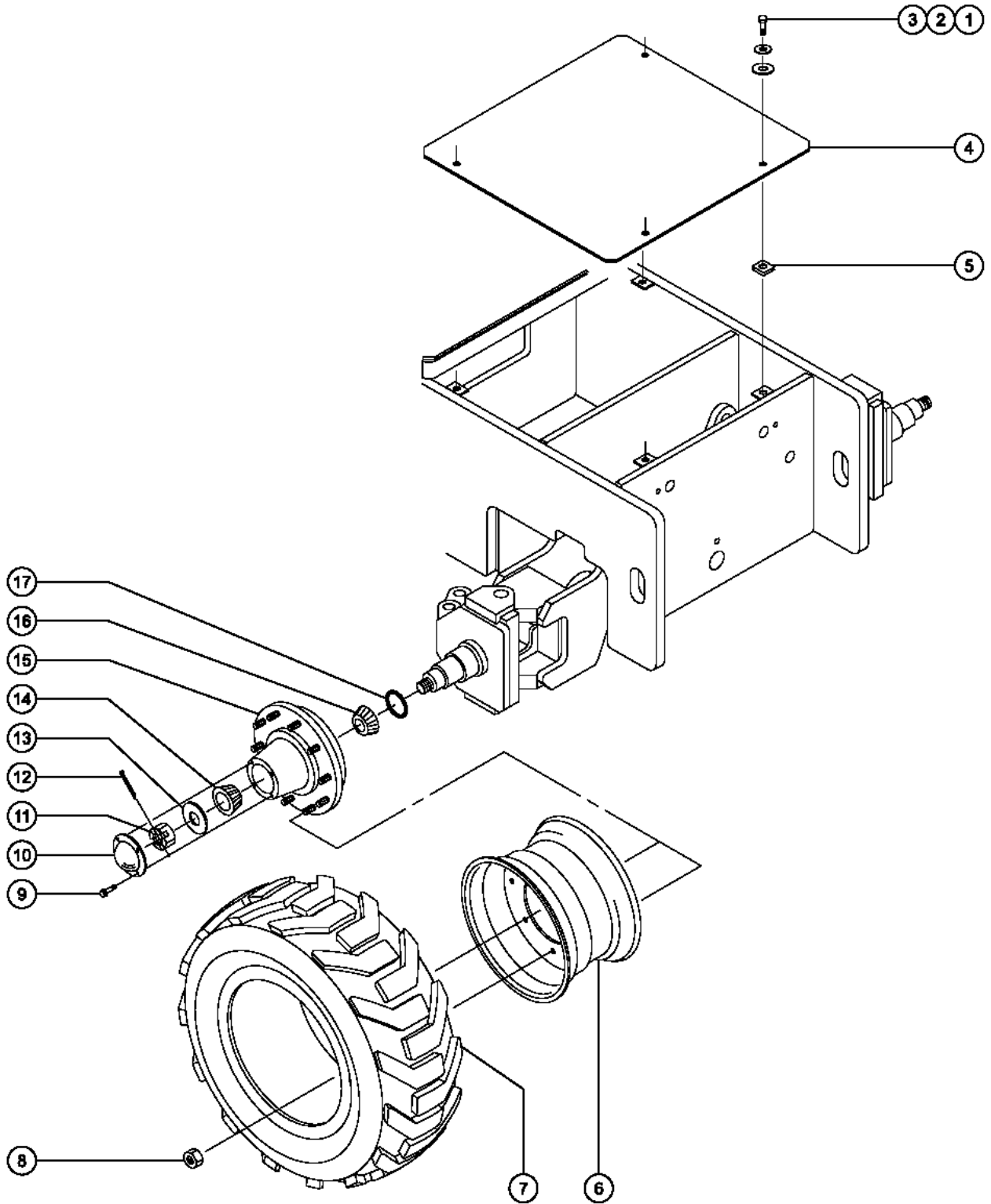
202.1 2WD Steer Axle Linkage - Non-oscillating Models



202.1 2WD Steer Axle Linkage - Non-oscillating Models

Item	Part No.	Description	Qty.
1	30731	PIN,PRIM.BOOM,16.0 X 1.5 INCH.....	2
2	30418	ROD END,0.5 X 3.75***	2
3	6096	SCREW,HHC,1/2-13 X 2 GR5.....	2
4	6086	NUT,LP NYLOCK,1/2-13.....	6
5	45066	SCREW,SHC,5/8-11 X 2.25.....	2
6	6024	NUT,NYLOCK,5/8-11.....	2
7	30734	PIN,1.00DIAX2.88LG,1HOLE.....	6
8	6175	SCREW,HHC,3/8-16 X 1.....	6
9	25284	ROD END,.375 X 2.25***	6
10A	53463	KIT,STEER CYLINDER,RETRO S60**	2
		<i>to SN 3908; includes 88346</i>	
10B	88346	CYLINDER,S60/65 STEER***	2
		<i>from SN 3909</i>	
--	88347	SEAL KIT,STEER CYL,S60/65***	2
11	53452	BEARING,1.00IDX1.50ODX1.00L....	6
12	53081	PIN,1.50DIAX4.76LG,2HOLE.....	4
13	14815	PIN,ROLL,SST,.25 X 2.25.....	4
14	45071	BEARING,1.5IDX1.75ODX1.5L.....	4
15	35002	YOKE ASSEMBLY,L.S.,2WD, S-60.....	1
		<i>includes 2 each Index No's. 11 and 14</i>	
16	8220	SCREW,HHC,1/2-13 X 4.....	4
17	45074	WASHER,THRUST,1.5 X 3.5 X .187.....	2
18	33943	STEER AXLE ASSY, NON OSC,S-60.....	1
		<i>includes 2 each Index No. 11</i>	
19	35001	YOKE ASSEMBLY,R.S.,2WD, S-60.....	1
		<i>includes 2 each Index No's. 11 and 14</i>	
20	63156	TIE ROD WELDMENT,S60.....	1

203.1 2WD Steer Axle - Wheels and Hubs



203.1 2WD Steer Axle - Wheels and Hubs

Item	Part No.	Description	Qty.
1	6090	SCREW,HHC,1/4-20 X .7.....4	4
2	6356	WASHER,LOCK,.25.....4	4
3	6638	WASHER,FLAT,USS,1/4"Y.....4	4
4	33448	COVER W/DECALS,DR.CHAS.STR.END.....1	1
5	56912	SPRING CLIP,1/4-20,MAGNI 565.....4	4
6	73184	WHEEL, 19.5 X 12.2 ,10 HOLE***...2	2
--	73180	TIRE & WHEEL RH, AIR S60***	
--	73181	TIRE & WHEEL LH, AIR S60	
--	73182	TIRE & WHEEL ASSY.RIGHT,FF S60	
--	73183	TIRE & WHEEL ASSY.LEFT,FF S60	
--	73206	TIRE&WHEEL ASSY R,AF,NON-MARKI	
--	73207	TIRE&WHEEL ASSY L,AF,NON-MARKI	
7	73185	TIRE,385-19.5,16PLY,OUTRIGGER*.2	2
--	73210	TIRE,385 19.5,16PLY,NON-MARKI	
8	34127	NUT,LUG,3/4-16 X 7/8 RADIUS.....20	20
9	18506	5/16-18 X .75 LG.FLG.LCK.SCREW.....8	8
10	73082	CAP,DUST.....2	2
11	34627	NUT,SPINDLE,2.00-12.....2	2
12	34628	PIN,COTTER,.375 X 3.5.....2	2
13	34626	WASHER,FLAT,2.0 X 4.5 X .25.....2	2
14	73080	BEARING,OUTER CONE.....2	2
15	73075	HUB ASSY W/RACES.....2	2
--	73076	HUB RACE,INNER	
--	73077	HUB RACE, OUTER	
--	73078	STUD,WHEEL,3/4-16	
16	73079	BEARING, INNER CONE.....2	2
17	94794	SEAL,GREASE.....2	2

204.1 2WD Drive Manifold

