



A TEREX BRAND

# *Parts Manual*

Serial Number Range

**GS-4047**

from SN GS4712C-101

Part No. 237966

Rev C

January 2015

## Technical Publications

Genie has endeavored to deliver the highest degree of accuracy possible. However, continuous improvement of our products is a Genie policy. Therefore, product specifications are subject to change without notice.

Readers are encouraged to notify Genie of errors and send in suggestions for improvement. All communications will be carefully considered for future printings of this and all other manuals.

## Contact Us:

<http://www.genielift.com>


e-mail: [awp.techpub@terex.com](mailto:awp.techpub@terex.com)

---

Copyright © 2012 by Terex Corporation

237966 Rev C December 2014  
First Edition, Third Printing

Genie is a registered trademark of Terex South Dakota in the USA and many other countries. "GS" is a trademark of Terex South Dakota, Inc.

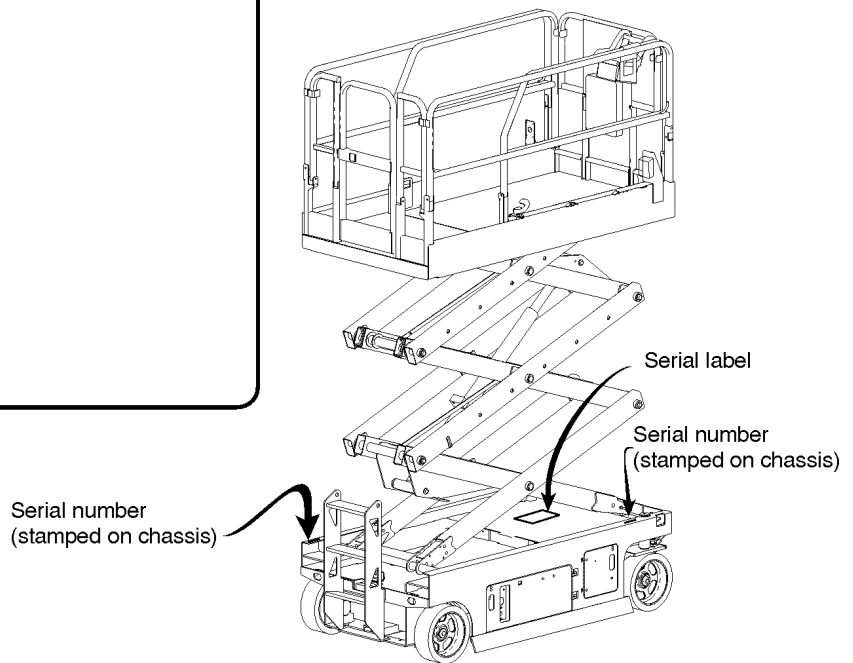
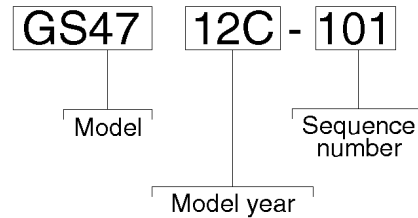
 Printed on recycled paper



**Model:** GS-4047  
**Serial number:** GS4712C-101  
**Model year:** 2012 **Manufacture date:** 4/15/12  
**Electrical schematic number:** ESO535  
**Machine unladen weight:** 7,100 lb / 3221 kg

**Rated work load (including occupants):** 770 lb / 350 kg  
**Maximum number of platform occupants:** 3  
**Maximum allowable side force :** 90 lb / 400 N  
**Maximum allowable inclination of the chassis:**  
1.5 deg side to side, 3 deg front to back  
**Maximum wind speed :** 0 mph/ 0 m/s  
**Maximum platform height :** 39 ft/ 11.9 m  
**Maximum platform reach :** N/A  
**Gradeability:** 25% / 14 deg  
**Country of manufacture:** USA  
**This machine complies with:**  
EC Directive

**Terex South Dakota, Inc.**  
**18340 NE 76th Street**  
**Redmond, WA 98052**  
**USA**



## Table of Contents

This manual is updated frequently. If you have a printed manual, you can keep it up to date by downloading new figures from the Genie website at [www.genielift.com](http://www.genielift.com). For the most up-to-date parts information, visit the Parts Lookup System on the Genie website at [www.genielift.com](http://www.genielift.com).

How to Read Your Serial Number.....	3
Parts Stocking List.....	7
How to Order Parts.....	8
Service Parts Fax Order Form.....	9

### Electronic Version

Click on any page number to view the figure.

### 100 Decals

101.1 Symbol Decals, GS-4047, Battery Side, CE & ANSI..	10
102.1 Symbol Decals, GS-4047, Ground Control Side, CE & ANSI.....	12
103.1 Symbol Decals, GS-4047, Platform, CE & ANSI.....	14
104.1 Word Decals, GS-4047, Battery Side, Australia & ANSI.....	16
105.1 Word Decals, GS-4047, Ground Control Side, Australia & ANSI.....	18
106.1 Word Decals, GS-4047, Platform, Australia & ANSI...20	

### 200 Drive Chassis Components

201.1 Steer Linkage and Wheels.....	22
202.1 Non-Steer Axle Installation.....	24
203.1 Level Sensor Installation.....	26
204.1 Pot Hole Protection Assembly.....	28
205.1 Battery Pack Tray.....	30
206.1 Battery Charger.....	32
207.1 Power Unit Module.....	34
208.1 Ground Controls.....	36
209.1 Electrical Wiring.....	38
210.1 Power Cables.....	40
211.1 Accumulator, Lift Pressure Select and Function Manifolds.....	42

### 300 Scissor Components

301.1 Scissor Assy Installation.....	44
302.1 Scissor Assembly.....	46
303.1 Scissor Assembly, Hose Clamps.....	50

### 400 Platform Components

401.1 Platform Components.....	52
--------------------------------	----

402.1 Power to Platform.....	56
403.1 Platform Controls, 2 Speed.....	58
404.1 Platform Controls, Proportional.....	60
405.1 Joystick Controller.....	62

### 500 Hydraulic Components

501.1 Hydraulic Components.....	64
502.1 Function Manifold.....	66
503.1 Brake Release Hand Pump Manifold.....	68
504.1 Hydraulic Power Unit.....	70
505.1 Lift Cylinder Assemblies.....	72
506.1 Hydraulic Hoses and Fittings.....	74

### 600 Accessories

601.1 Alarm, Horn and Flashing Beacons.....	76
602.1 Air Line to Platform.....	78

### 700 Platform Overload Components

701.1 Platform Overload.....	80
------------------------------	----

### Indices

Part Number Index.....	82
Part Description Index.....	84

### Cross References

Fittings Cross Reference.....	88
-------------------------------	----

***This Page Intentionally Left Blank***



### Required Parts

The following parts are required to perform maintenance procedures as outlined in the Genie GS-47 Service Manual.

<b>Description</b>	<b>Part No.</b>
Filter Element, 10 Micron.....	44788
Dielectric Grease.....	66399
Chevron Ultra-duty Grease (Lithium) or equivalent, EP NLGI 1.....(source locally)	
Breather Cap, Hydraulic Tank.....	78546
Cotter Pin, Castle Nut, Steer-end Wheels.....	13635-10
Cotter Pin, Castle Nut, Non-Steer end Wheels.....	42079

### Recommended Parts

<b>Description</b>	<b>Part No.</b>
Genie Blue Paint, 1 Gallon .....	32150
Genie Blue Paint, 12 Ounce Aerosol.....	1484
Genie Gray Paint, 1 Gallon.....	32151
Genie Gray Paint, 12 Ounce Aerosol .....	1268

### Manuals

Genie offers the following support documents for these models:

<b>Title</b>	<b>Part No.</b>
Genie GS-4047 Operator's Manual, 8th Edition, CE Models (from serial number GS4712C-101) .....	121084
Genie GS-4047 Operator's Manual, 6th Edition, ANSI Models (from serial number GS4714D-317) .....	T107026
Genie GS-4047 Operator's Manual, 7th Edition, Australia Models (from serial number GS4712C-101) .....	T107028
Genie GS-30, GS-32, GS-46, GS-47 Service Manual, Rev E .....	228901
EMI Safety Manual .....	27581
Manual of Responsibilities ANSI A92.6 .....	44163

## How To Order Parts

Please be prepared with the following information when ordering replacement parts for your Terex or Genie product:

- Machine model number
- Machine serial number
- Part number
- Part description and quantity
- Purchase order number
- "Ship to" address
- Desired method of shipment
- Name and telephone number of the authorized distributor in your area

Use the Service Parts Fax Order Form on the next page and fax your order to our Parts Department.

If you don't know the name of your authorized distributor, or if your area is not currently serviced by an authorized distributor, please call Terex or Genie Industries.

### Machine Information

---

Model

---

Serial Number

---

Date of Purchase

---

Authorized Genie Distributor

---

Phone Number

#### North America

Telephone (425) 556-6551  
 Toll Free (877) 367-5606 in U.S.A. and Canada  
 Fax (425) 556-8659  
 Toll Free Fax (888) 274-6192

#### Europe

Parts Telephone (31) (165) 519 313  
 Parts Fax (31) (165) 511 148

#### Australia

Parts Telephone (61) (7) 3456 4444  
 Parts Fax (61) (7) 3456 4466

#### South America

Parts Telephone (55) (11) 4082 5600  
 Parts Fax (55) (11) 4082 5630



