

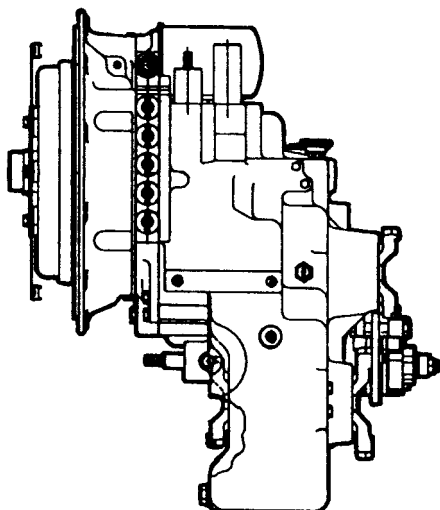
GEHL
CONSTRUCTION

Form No.
907368

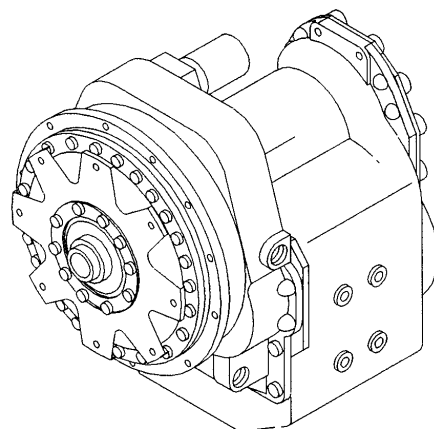
T12000/T18000

Clark Transmissions

Model T12000



Model T18000



SERVICE PARTS

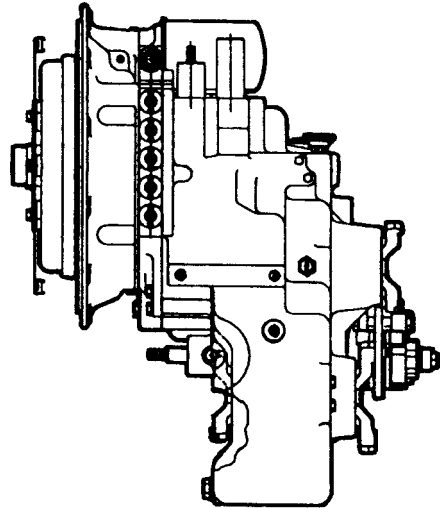
GEHL[®] CONSTRUCTION

T12000

Clark

Transmission

Model No.
1102-T12363-2



SERVICE PARTS

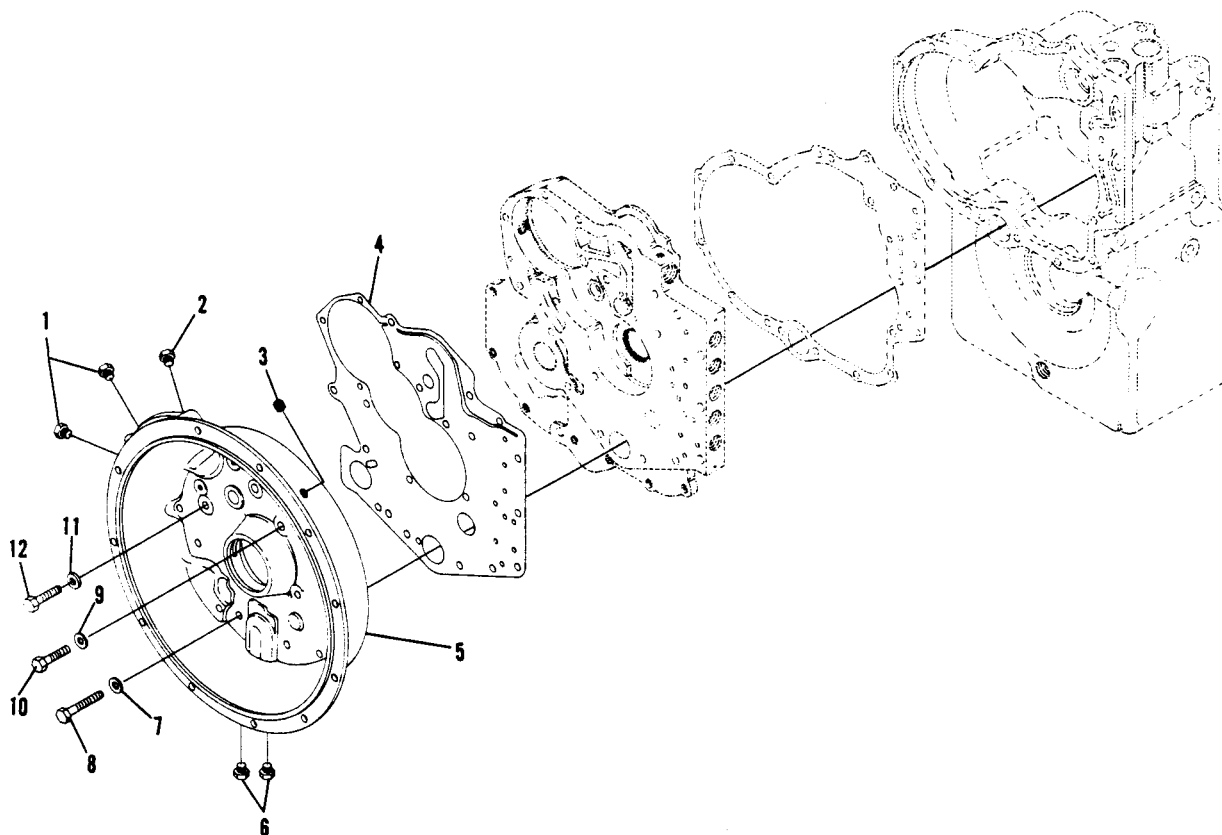
Section Contents **1-1**
_____ - Special Parts Group **1-3**
267072 - Converter Housing Group **1-4**
267338 - Case and Plate Group **1-6**
267164 - Torque Converter Group **1-8**
267396 - Pump Drive Group **1-9**
267078 - Charge Pump Group **1-10**
267079 - Reverse Idler Group **1-12**
267169 - Forward/Reverse Shaft Group **1-14**
267185 - 3rd and Output Shaft Group **1-16**
267082 - 1st and 2nd Shaft Group **1-18**
267083 - Output Shaft Group **1-20**
267270 - Disc Brake Group **1-22**
246401 - Brake Caliper Assembly **1-23**
267172 - Electric Control With Modulation Group **1-24**
267086 - Drive Plate Group **1-26**
Numerical Index **1-27**

This Page Intentionally Blank

Special Parts Group

Ref. No.	Part No.	Description	Qty. Req.	Ref. No.	Part No.	Description	Qty. Req.
PAGE 12/13				PAGE 18/19			
09	L99256	REV. IDLER GEAR (26T)	1	43	L99259	1ST CLUTCH GEAR & BRG. ASY (Incl. Items 44,45)	1
PAGE 14/15				44	L98253	BEARING.	1
41	L98253	REV. CLUTCH GEAR BRG.	1	45	L98253	BEARING.	1
42	L98254	REV. CLUTCH GEAR SPACER . . .	1	46	L98276	2ND CLUTCH GEAR & BRG. ASY (Incl. Items 47,48)	1
43	L98253	REV. CLUTCH GEAR BRG.	1	47	L98253	BEARING.	1
44	L99255	REV. CLUTCH GEAR.	1	48	L98253	BEARING.	1
		& BRG. ASY. (Incl. Items 41-43)		49	L98277	3RD DRIVEN GEAR (18T)	1
45	L99257	FWD. CLUTCH GEAR	1	PAGE 20/21			
		& BRG. ASY. (Incl. Items 46-48)		18	L98284	OUTPUT SHAFT GEAR (40T)	1
46	L98253	FWD. CLUTCH GEAR BRG.	1				
47	L98254	FWD. CLUTCH GEAR SPACER. . .	1				
48	L98253	FWD. CLUTCH GEAR BRG.	1				
PAGE 16/17							
31	L99258	1ST DRIVE GEAR (29T)	1				
32	L98270	3RD GEAR & OUTPUT SHAFT (46T).	1				

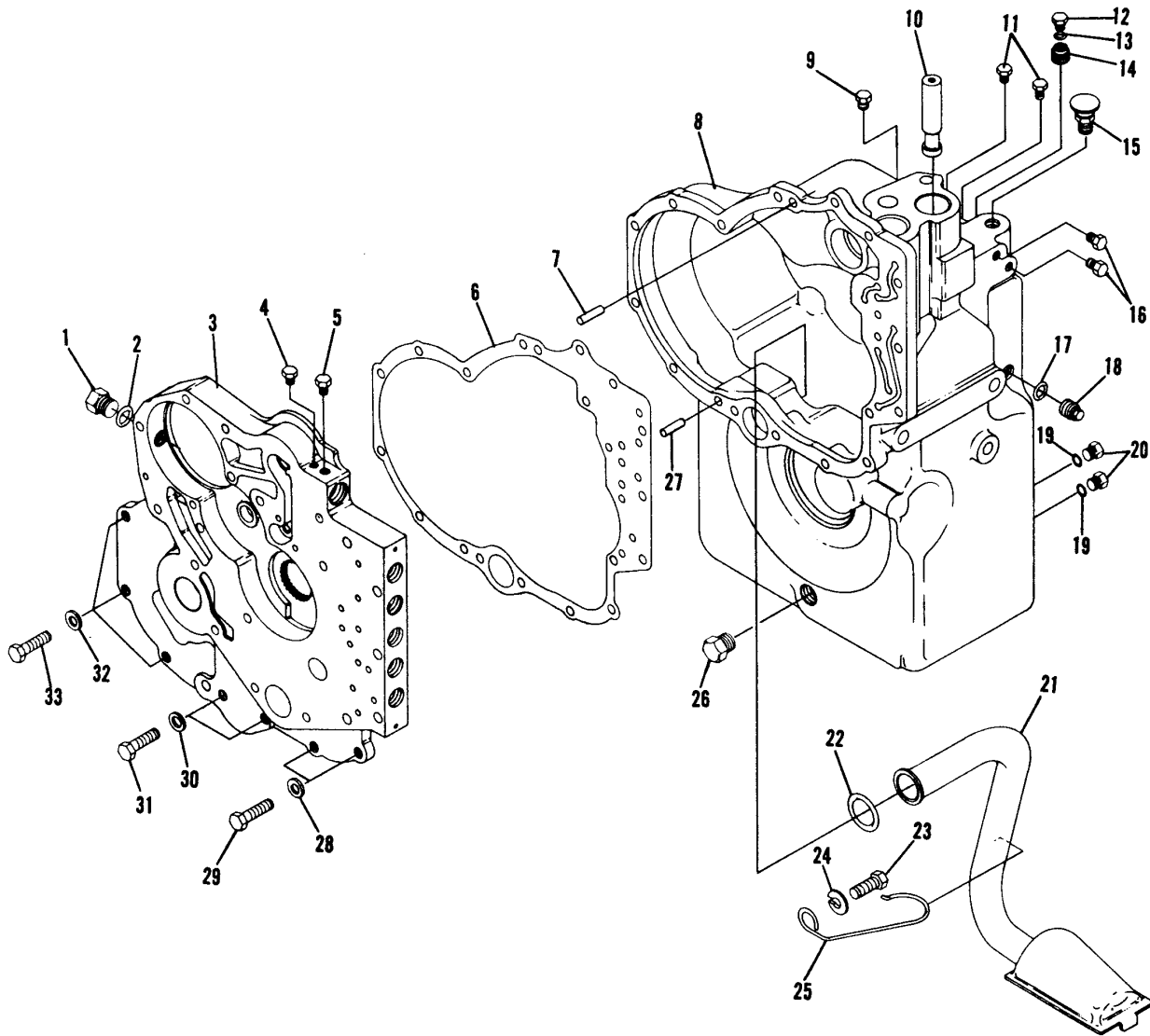
Converter Housing Group



Converter Housing Group

Ref. No.	Part No.	Description	Qty. Req.	Ref. No.	Part No.	Description	Qty. Req.
01	L99246	Plug (Hi & 3rd Port)	2	08	L99247	Conv. Housing. to Trans.	
02	L99246	Reg. Pressure Port Plug.	1			Case Screw	13
03	L97508	Plug	1	09	L99029	Conv. Housing. to Plate	
04	L98186	Housing to Plate Gasket.	1			Screw Lockwasher	1
05	L98187	Converter Housing	1	10	L99247	Conv. Hsg. to Plate Screw	1
06	L99246	Plug (1st & 2nd Port)	2	11	L99029	Conv. Hsg. to Plate	6
07	L99029	Conv. Hsg. to Trans. Case				Screw Lockwasher	
		Screw Lockwasher	13	12	L99044	Conv. Hsg. to Plate Screw	6

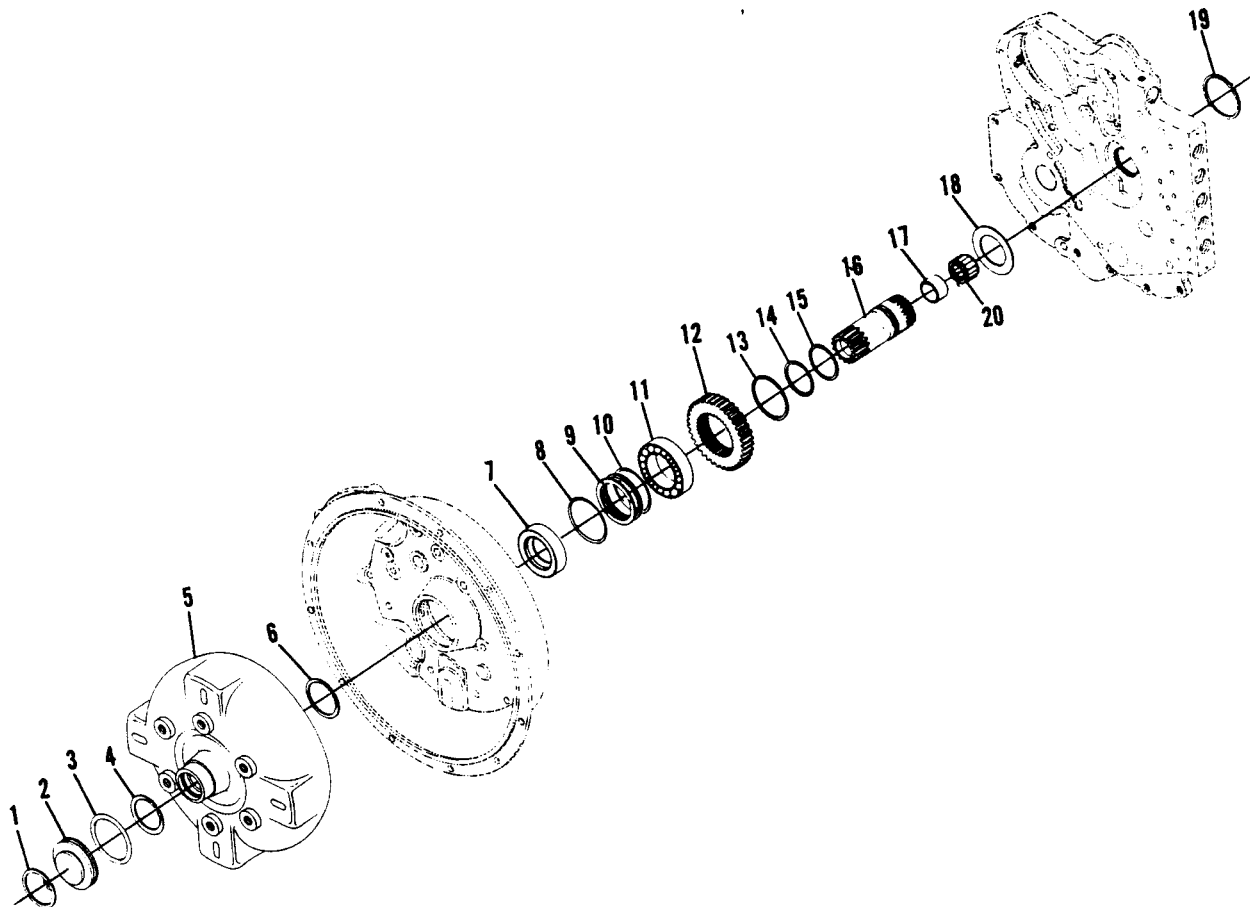
Case & Plate Group



Case & Plate Group

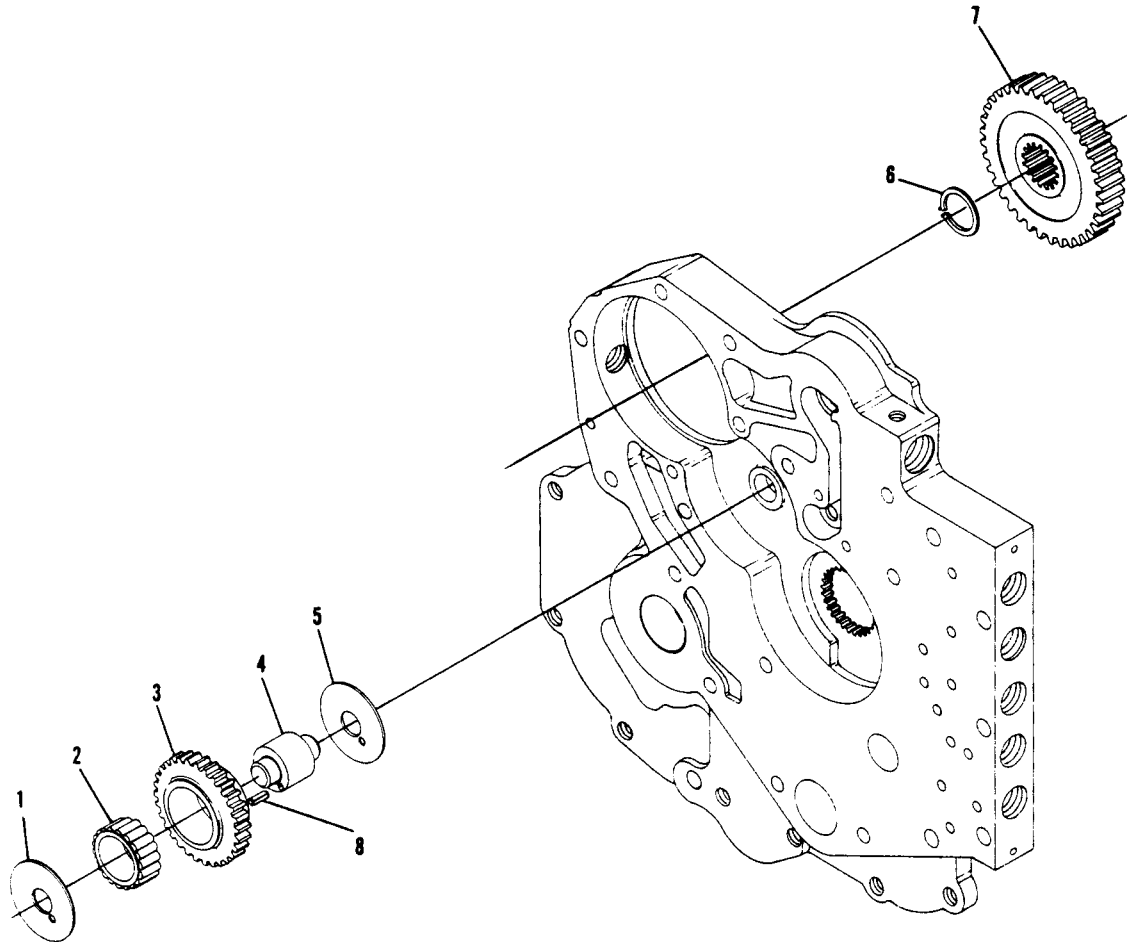
Ref. No.	Part No.	Description	Qty. Req.	Ref. No.	Part No.	Description	Qty. Req.
01	L99248	Sensor Port Plug	1	20	L99251	Oil Level Plug.	2
02	L98924	Sensor Port Plug Washer	1	21	L98184	Tube & Screen Assembly	1
03	L98178	Spacer Plate	1	22	L98185	Oil Supply Tube Seal Ring	1
04	L99246	Inlet Pressure Port Plug	1	23	L99252	Retainer Clip Screw	1
05	L99249	Outlet Temperture Port Plug	1	24	L99029	Retainer Clip Screw Lockwasher	1
06	L98179	Plate to Transmission Case Gasket	1	25	L98176	Oil Supply Tube Retainer Clip.	1
07	L99177	Plate to Transmission Case Dowel Pin	1	26	L99253	Magnetic Drain Plug	1
08	L98180	Transmission Case.	1	27	L98177	Plate to Transmission Case Dowel Pin	1
09	L99015	Filler Plug.	1	28	L99029	Plate to Transmission Case Screw Lockwasher.	2
10	L98181	Diverter Sleeve	1	29	L99044	Plate to Transmission Case Screw	2
11	L99246	Pipe Plug	2	30	L99029	Plate to Transmission Case Screw Lockwasher.	2
11	L99283	Plug	1	31	L99254	Plate to Transmission Case Screw	3
12	L99248	Auto Shift Sensor Port Plug	1	32	L99029	Plate to Transmission Case Screw Lockwasher.	3
13	L98924	Sensor Port Plug "O" Ring.	1	33	L99044	Plate to Transmission Case Screw	3
14	L98182	Sensor Adjusting Bushing.	1				
15	L94824	Air Breather	1				
16	L99246	Plug	2				
17	L99267	Sensor Port Plug "O" Ring.	1				
18	L99250	Sensor Port Plug	1				
19	L99013	Plug "O" Ring	2				

Torque Converter Group



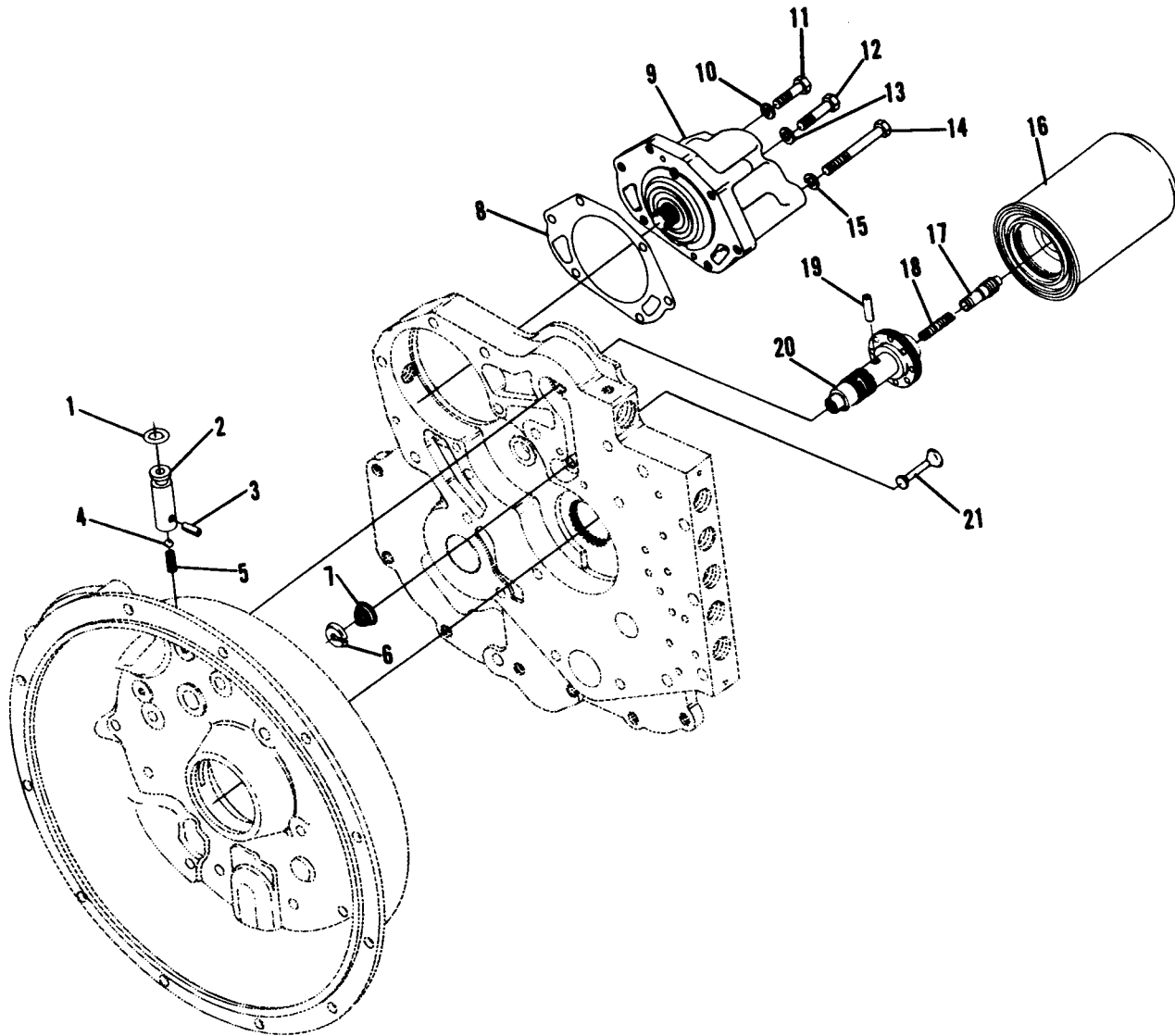
Ref. No.	Part No.	Description	Qty. Req.	Ref. No.	Part No.	Description	Qty. Req.
01	L98188	Plug Snap Ring	1	12	L98199	Impeller Hub Gear (35T).	1
02	L98189	Torque Converter Plug	1	13	L98200	Stator Support Snap Ring.	1
03	L98190	Torque Converter Plug "O" Ring	1	14	L98201	Stator Support Piston Ring	1
04	L98191	Impeller Hub Snap Ring	1	15	L98202	Stator Support Piston	1
05	L98192	Torque Converter Asy.	1			Ring Expander	
06	L98191	Impeller Hub Snap Ring	1	16	L99255	Stator Support Asy	1
07	L98194	Conv. Hsg. Oil Seal	1			(Inc. Item 17 & 20)	
08	L98195	Oil Distributor Ring "O"Ring	1	17	L98204	Bushing (Inc. in Item 16)	1
09	L98196	Oil Distributor Ring	1	18	L98205	Impeller Hub Gear Washer	1
10	L98195	Oil Distributor Ring "O"Ring	1	19	L98206	Stator Support Snap Ring.	1
11	L98198	Torque Conv. Bearing.	1	20	L98197	Bearing (Inc. In Item #16).	1

Pump Drive Group



Ref. No.	Part No.	Description	Qty. Req.	Ref. No.	Part No.	Description	Qty. Req.
01	L98942	Pump Drive Idler Thrust Washer . . .	1	05	L98942	Pump Drive Idler Thrust Washer . . .	1
02	L98943	Idler Gear Bearing	1	06	L98212	Pump Drive Gear Ret Snap Ring . .	1
03	L98944	Pump Drive Idler Gear (31T)	1	07	L98211	Pump Drive Gear (34T)	1
04	L98945	Pump Drive Idler Shaft & Pin Asy. . .	1	08	L98947	Roll Pin (Incl. in Item #4)	1
		(Incl. Item #8)					

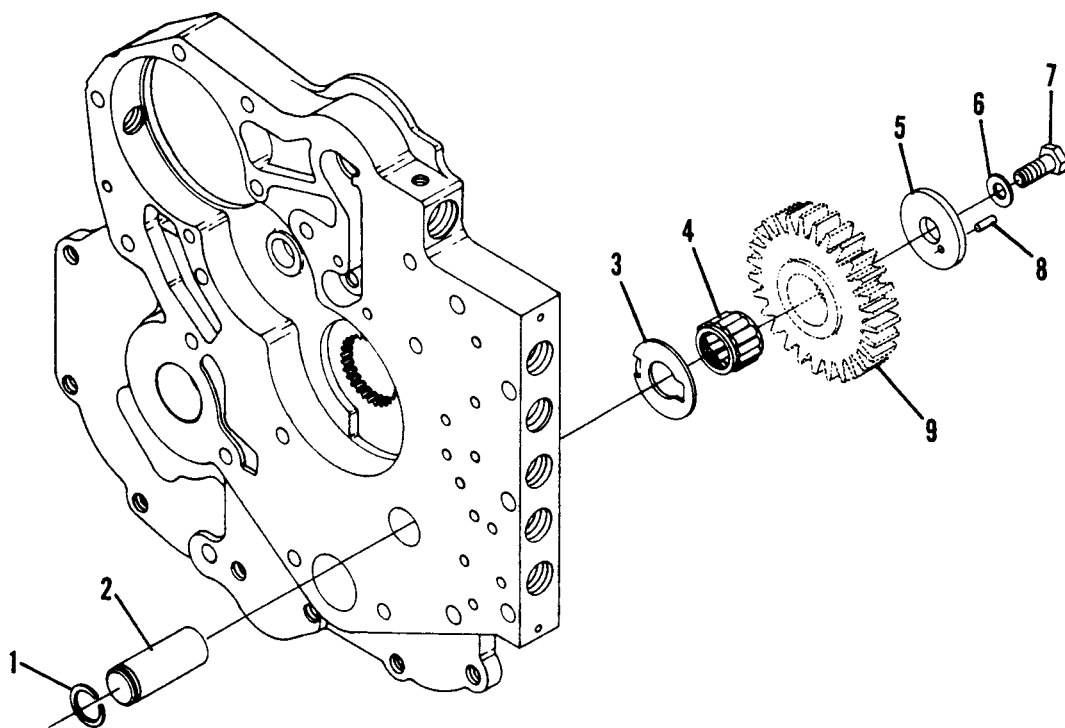
Charge Pump w/Filter Group



Charge Pump w/Filter Group

Ref. No.	Part No.	Description	Qty. Req.	Ref. No.	Part No.	Description	Qty. Req.
01	L98193	"O"Ring	1	12	L99026	Pump Mtg. Screw.	1
02	L98213	Ball Check Valve Asy.	1	13	L99022	Pump Mtg. Screw Lockwasher	1
		(Inc. Items 1 thru 5)		14	L99028	Pump Mtg. Screw.	1
03	L98214	Pin	1	15	L99030	Pump Mtg. Screw Lockwasher	1
04	L98215	Ball	1	16	L99184	Filter Assembly.	1
05	L98216	Spring	1	17	L98222	Piston	1
06	L98217	Poppet Washer	1	18	L98223	Spring	1
07	L98218	Spring	1	19	L98224	Pin	1
08	L98219	Charging Pump Gasket	1	20	L98225	Sleeve	1
09	L98220	Charging Pump	1	21	L98226	Safety Valve Poppet.	1
10	L99022	Pump Mtg. Screw Lockwasher	1	22	L98277	Regulator Valve Asy.	1
11	L99024	Pump Mtg. Scew	1			(Inc. Items 17 - 20)	

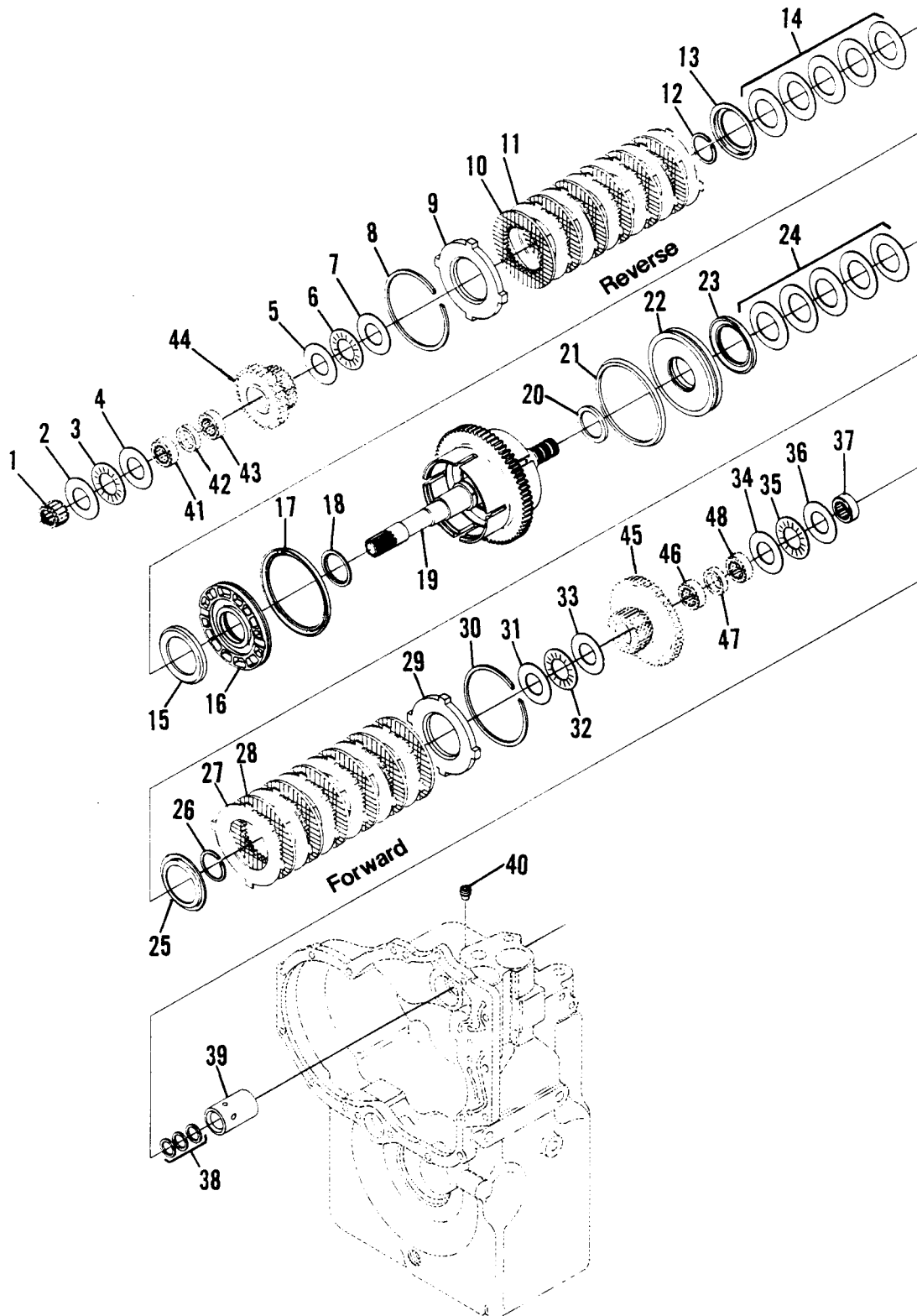
Reverse Idler Group



Reverse Idler Group

Ref. No.	Part No.	Description	Qty. Req.	Ref. No.	Part No.	Description	Qty. Req.
01	L98228	Idler Shaft Snap Ring	1	06	L99032	End Plate Capscrew Washer	1
02	L98229	Idler & Pilot Shaft	1	07	L99031	Rev. Idler End Plate Capscrew	1
03	L98230	Thrust Washer	1	08	L98233	End Plate to Shaft Roll Pin	1
04	L98231	Reverse Idler Gear Bearing	1	09	L99256	Reverse Idler Gear	1
05	L98232	End Plate	1			<i>(See Special Parts Group)</i>	

Forward & Reverse Shaft Group



Forward & Reverse Shaft Group

Ref. No.	Part No.	Description	Qty. Req.	Ref. No.	Part No.	Description	Qty. Req.
01		Turbine Shaft Front Bearing <i>(See Converter Group)</i>		26	L98241	Retainer Snap Ring	1
02	L98235	Clutch Gear Thrust Washer	1	27	L98240	Outer Disc - Forward Clutch	6
03	L98236	Clutch Gear Thrust Washer Brg.	1	28	L98239	Inner Disc - Forward Clutch	6
04	L98235	Clutch Gear Thrust Washer	1	29	L98238	End Plate	1
05	L98235	Clutch Gear Thrust Washer	1	30	L98237	End Plate Snap Ring	1
06	L98236	Clutch Gear Thrust Washer Brg.	1	31	L98235	Clutch Gear Thrust Washer	1
07	L98235	Clutch Gear Thrust Washer	1	32	L98236	Clutch Gear Thrust Washer Brg.	1
08	L98237	End Plate Snap Ring	1	33	L98235	Clutch Gear Thrust Washer	1
09	L98238	End Plate	1	34	L98235	Clutch Gear Thrust Washer	1
10	L98239	Inner Disc-Reverse Clutch	6	35	L98236	Clutch Gear Thrust Washer Brg.	1
11	L98240	Outer Disc-Reverse Clutch	6	36	L98235	Clutch Gear Thrust Washer	1
12	L98241	Retainer Snap Ring	1	37	L98249	Thrbine Shaft Rear Bearing	1
13	L98242	Snap Ring Retainer	1	38	L98250	Piston Ring	3
14	L98243	Disc Washer (Spring) Asy.	5	39	L98251	Oil Distributor Sleeve	1
15	L98244	Clutch Piston Wear Plate	1	40	L98252	Retainer Screw	1
16	L98245	Clutch Piston	1	41	L98253	Bearing	1
17	L98246	Clutch Piston	1	42	L98254	Spacer	1
18	L98247	Clutch Piston Seal - Inner.	1	43	L98253	Bearing	1
19	L98248	Turbine Shaft Drum & Plug Asy.	1	44	L99255	Fwd. Clutch Gear & Brg. Asy. (Incl. Items 41 thru 43)	1
20	L98247	Clutch Piston Seal - Inner.	1	45	L99257	Rev. Clutch Gear & Brg. Asy. (Incl. Items 46 thru 48)	1
21	L98246	Clutch Piston Seal - Outer	1	46	L99253	Bearing	1
22	L98245	Clutch Piston	1	47	L98254	Spacer - <i>See Special Parts Sect.</i> . . .	1
23	L98244	Clutch Piston Wear Plate	1	48	L98253	Bearing - <i>See Special Parts Sect.</i> . . .	1
24	L98243	Disc Washer (Spring) Asy.	5				
25	L98242	Snap Ring Retainer	1				

3rd & Output Shaft Group

