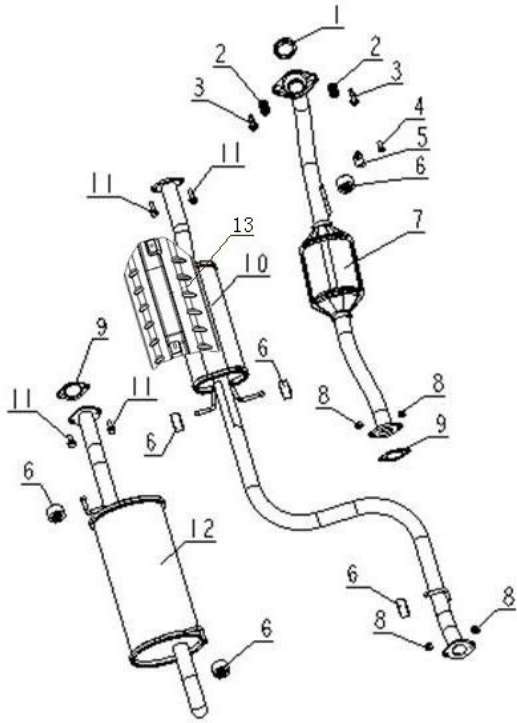


18-186

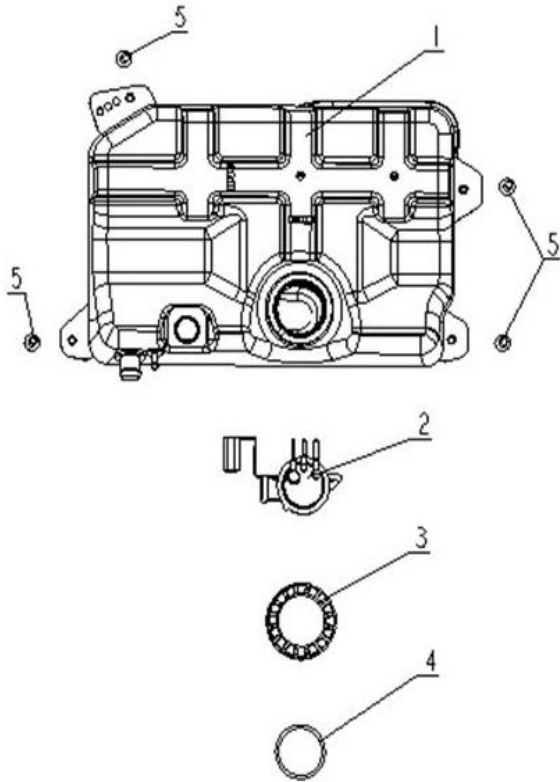
MUFFLER



NO	DESCRIPTION	PART NO	QTY	REMARK
1	排气管衬垫 GASKET	1602025180	1	ALL
2	排气管弹簧 SPRING	1602026180	2	ALL
6	消声器支座 HANGER	1203309001	6	ALL
7	三元催化净化器总成 MUFFLER FRONT	1602030180	1	1.3L
		1602034180	1	1.5L&1.6L
9	石棉衬垫 GASKET	1602028180	2	ALL
10	中间消声器总成 MUFFLER CENTER	1602031180	1	ALL
12	主消声器总成 MUFFLER REAR	1602032180	1	ALL
13	前地板隔热板 PANEL-HEAT	1602024180	1	ALL

21-211

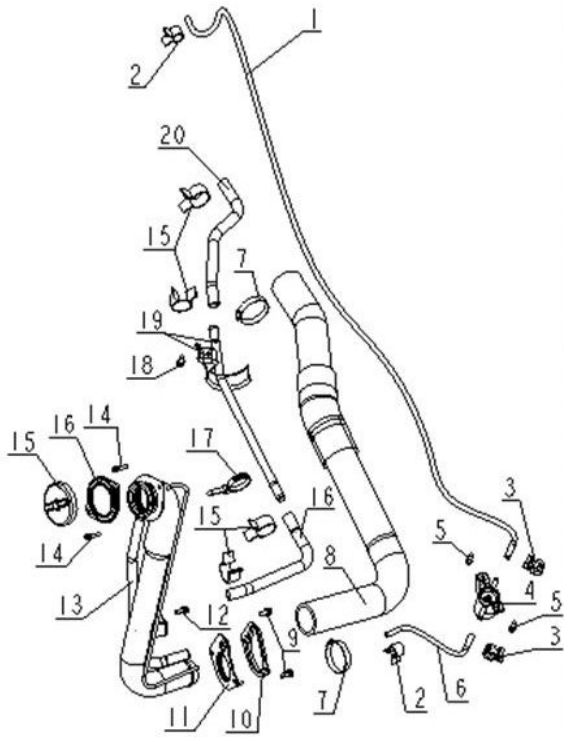
FUEL TANK



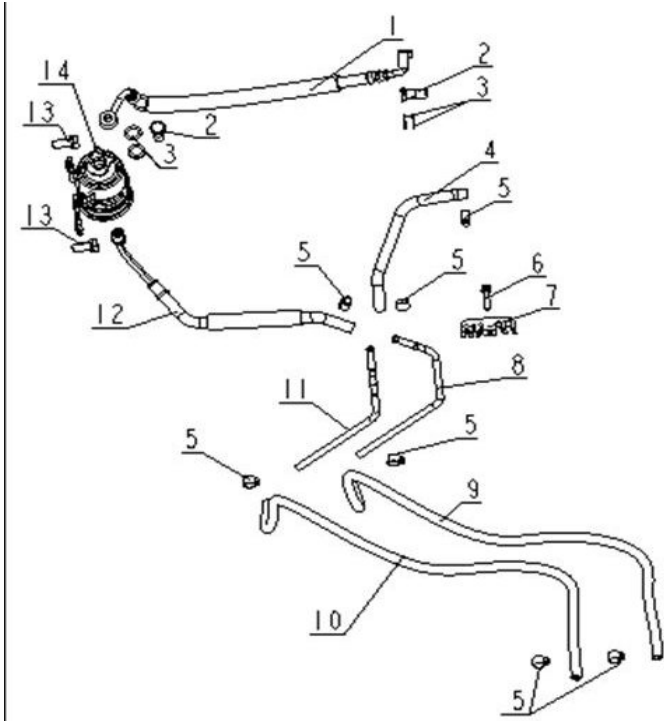
NO	DESCRIPTION	PART NO	QTY	REMARK
1	燃油箱总成 FUEL TANK	1601234180 1601234180-01	1 1	OVERSEAS DOMESTIC
2	燃油泵带燃油传感器总成 FUEL PUMP&FUEL LEVEL SENSOR	1601285180	1	ALL
3	油箱盖 COVER-FUEL PUMP	1601279180	1	ALL
4	燃油泵O型圈 O RING	1601286180 1601286180-01	1 1	OVERSEAS DOMESTIC

21-212

FUEL FILLER PIPE



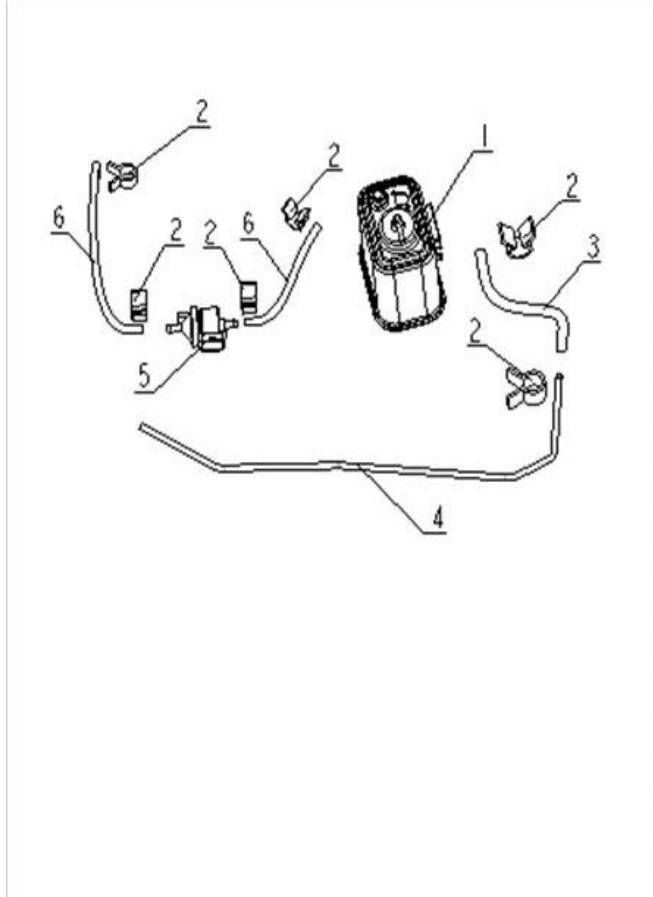
NO	DESCRIPTION	PART NO	QTY	REMARK
1	翻转阀出气软管 HOSE-VENT	1601377180	1	ALL
4	翻转阀总称 VALVE-2 WAY	1601374180	1	ALL
6	翻转阀进气软管 HOSE	1601376180	1	ALL
8	油箱到加油口软管 HOSE-FUEL FILLER NECK	1601219180	1	ALL
10	密封垫压板 PLATE-GASKET	1601232180	1	ALL
11	加油管下部密封垫 GASKET-FUEL FILLER NECK	1601231180	1	ALL
13	加油管上部分总成 NECK ASSY-FUEL FILLER	1601215180	1	ALL
19	加油通气金属管总成 PIPE-VENT	1601217180	1	ALL
20	加油通气软管2 HOSE-VENT 2#	1601218180	1	ALL



NO	DESCRIPTION	PART NO	QTY	REMARK
1	接油道燃油软管总称 TUBE ASSY-FUEL	1601245180	1	ALL
2	过油螺栓 BOLT	1601278180	2	ALL
3	密封垫片 GASKET	1601277180	4	ALL
4	接油道回油软管 HOSE-RETURN	1601228180	1	ALL
8	燃油主管 HOSE-FUEL	1601227180	1	ALL
9	燃油软管 HOSE-FUEL	1601251180	1	ALL
10	回油软管 HOSE-RETURN	1601250180	1	ALL
11	燃油主管 HOSE-FUEL	1601227180	1	ALL
12	接燃油滤清器软管 HOSE	1601252180	1	ALL
14	燃油滤清器总成 FILTER-FUEL	1601255180	1	ALL

21-215

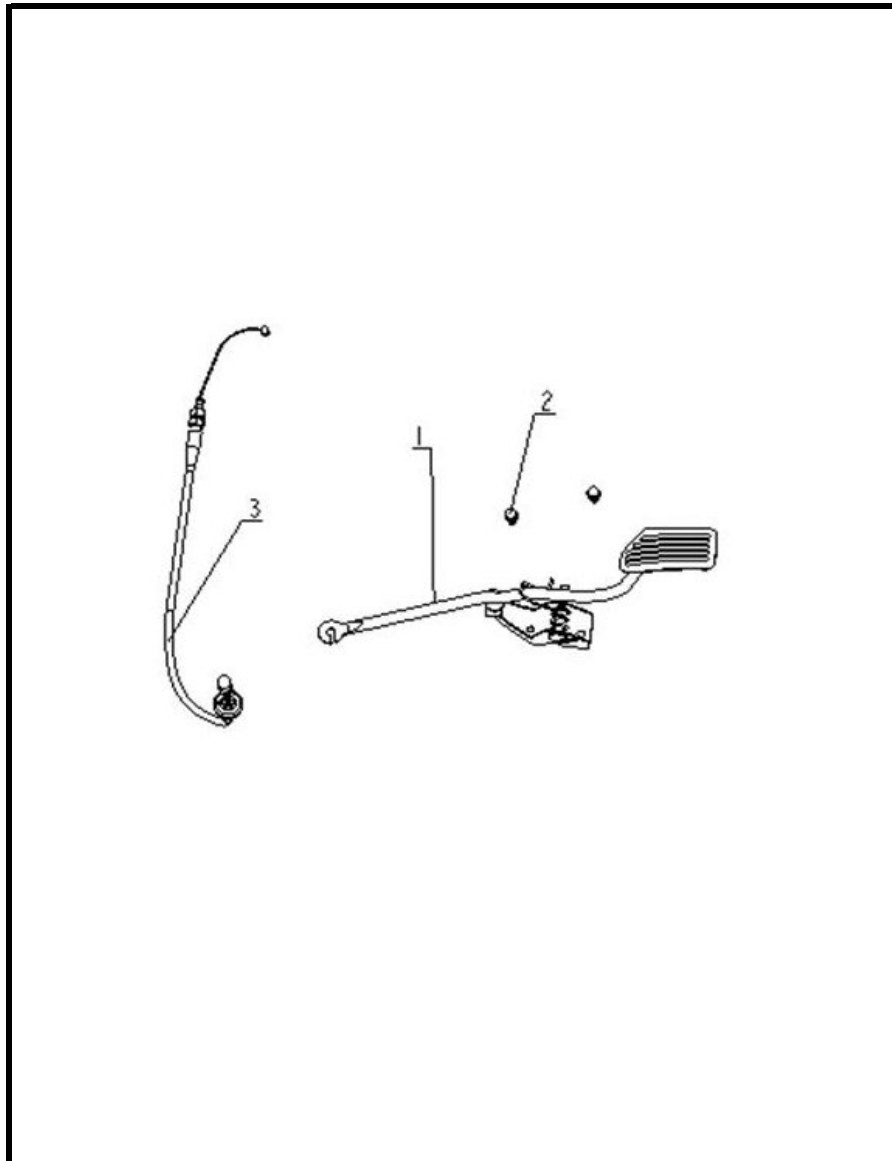
FUEL VAPOR HOSE



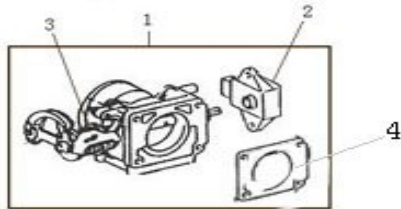
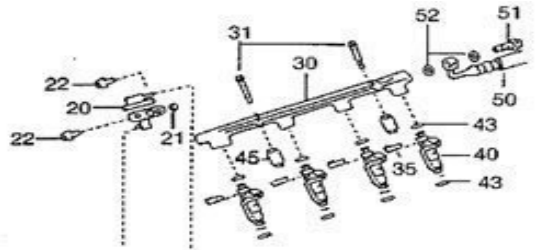
NO	DESCRIPTION	PART NO	QTY	REMARK
1	控制碳罐 CANISTER ASSY			
		1601241180	1	ALL
3	碳罐取气软管 HOSE			
		1601248180	1	ALL
4	二号通气管 HOSE-VENT 2#			
		1601225180	1	ALL
5	碳罐控制阀 VALVE-CANISTER CONTROL			
		E150090005	1	ALL
6	碳罐真空软管 HOSE			
		1601242180	1	ALL

21-227

ACCELERATOR CONTROL ASSY

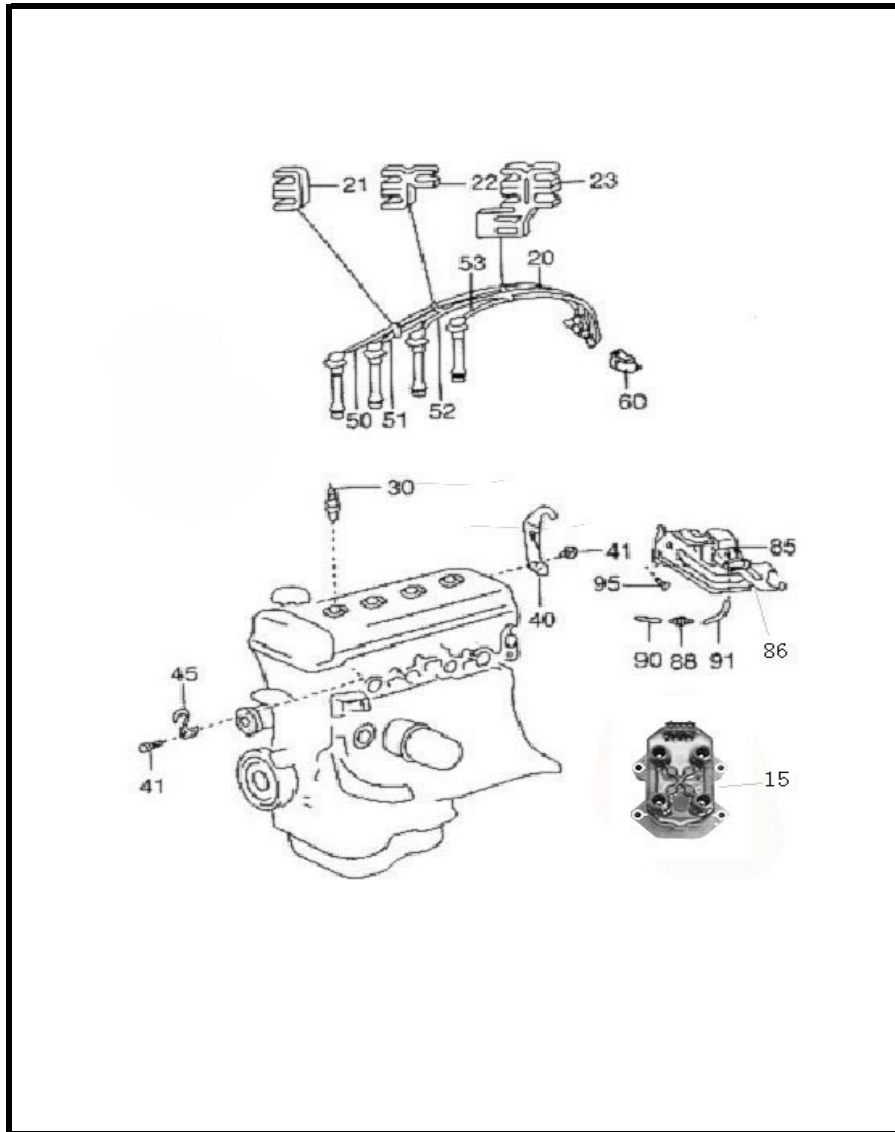


NO	DESCRIPTION	PART NO	QTY	REMARK
1	油门踏板及支架总成 ACCELERATOR PANEL ASSY	1402382180	1	ALL
3	油门拉线总成 ACCELERATOR CABLE	1402383180	1	ALL

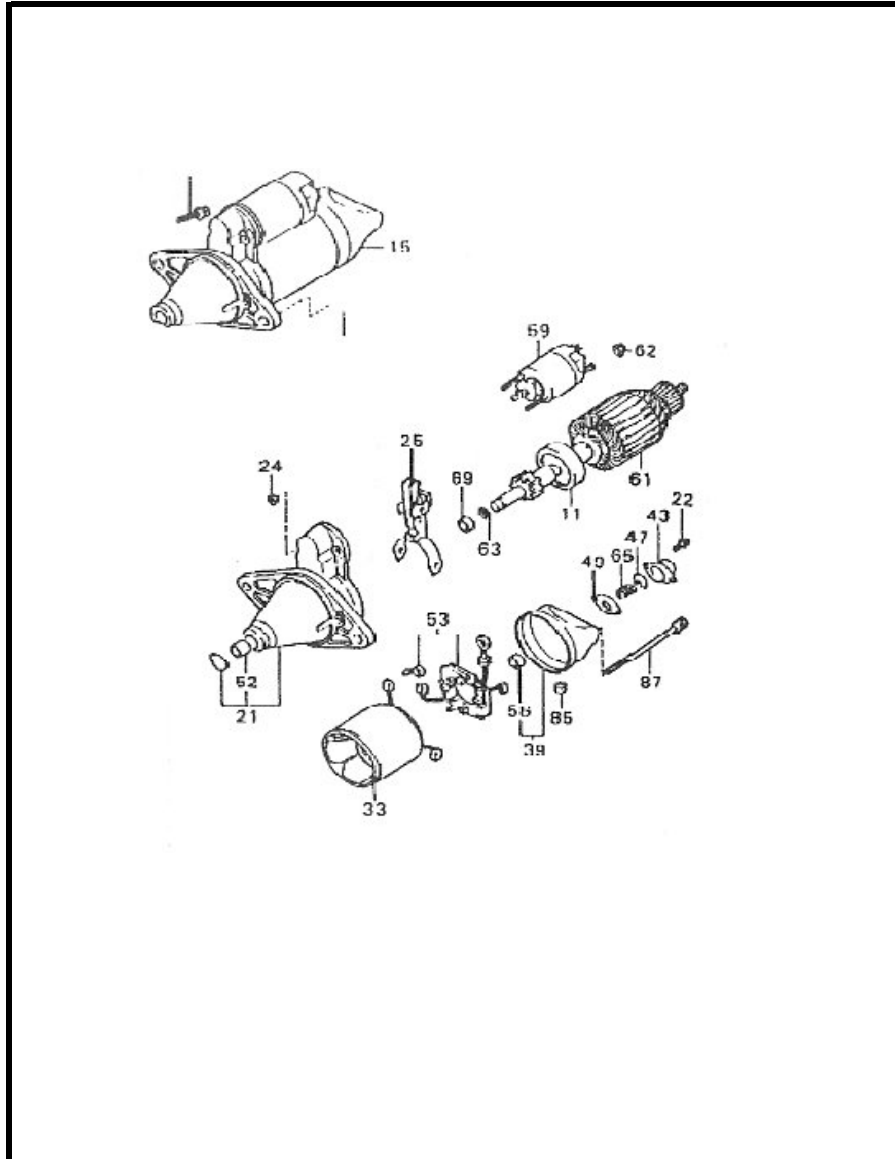


NO	DESCRIPTION	PART NO	QTY	REMARK
1	节气门体组件 THROTTLE ASSY MR479Q、MR479QA MR481QA	E110320005 2110005021	1 1	1.3L&1.5L 1.6L
2	节气门位置传感器 SENSOR-THROTTLE POSITION	E150070005	1	ALL
3	怠速调节器 ACTUATOR-IDLE SPEED	E150080005	1	ALL
4	节气门垫垫片 GASKET-THROTTLE MR479Q、MR479QA MR481QA	E110301001 2110301021	1 1	1.3L&1.5L 1.6L
20	燃油压力调节器 REGULATOR-FUEL PRESSURE	E150140005	1	ALL
30	燃油传输管 PIPE-DELIVERY	E110200201	1	ALL
40	喷油器 INJECTOR	E150060005	4	ALLL
45	隔离器 ISOLATION	E010201001	4	ALL

29-173 IGNITION CABLE&IGNITION COIL

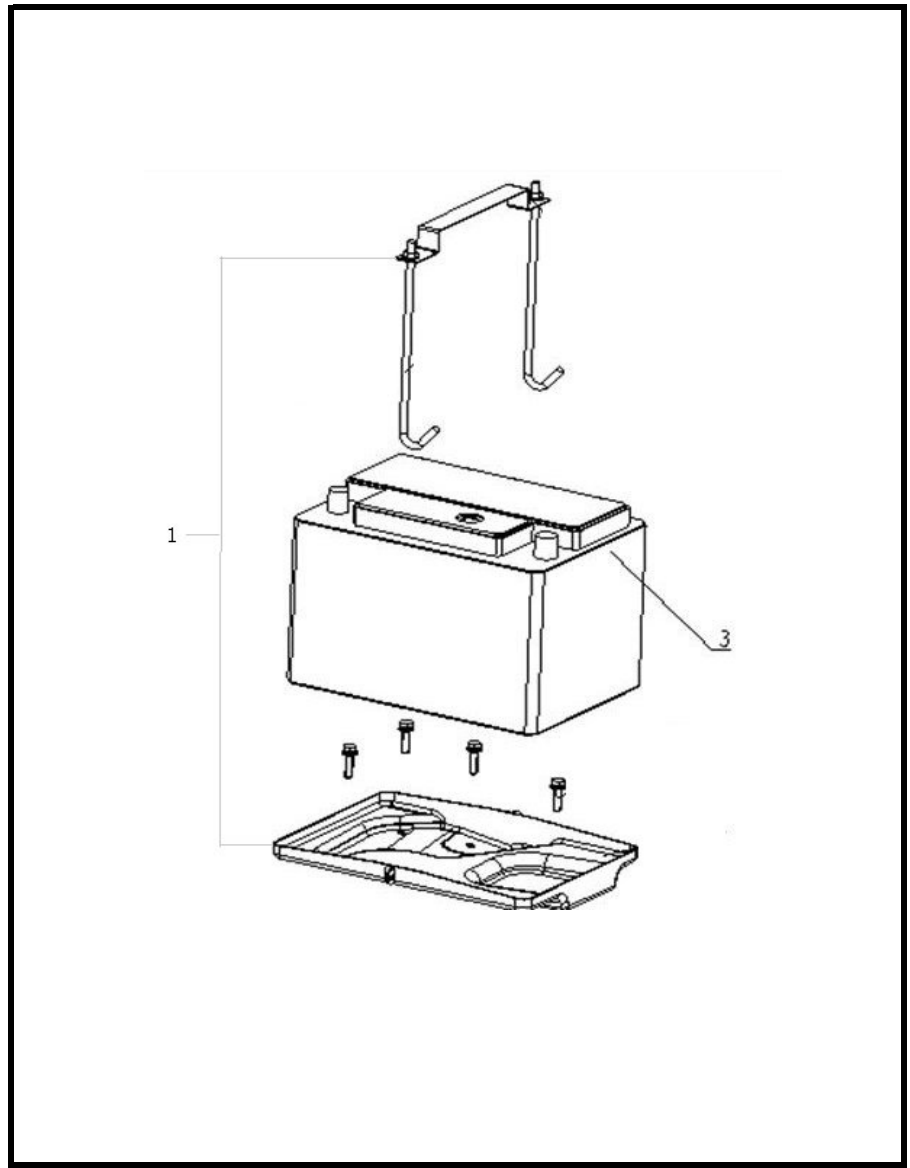


NO	DESCRIPTION	PART NO	QTY	REMARK
15	点火线圈 IGNITION COIL	E150130005	1	ALL
20	高压导线组件 CABLE SET-IGNITION	E120200008	1	ALL
30	火花塞 SPARK PLUG	E120300005	4	ALL
40	发动机前吊钩 HANGER-ENGINE,FRT	E000000201	1	ALL
45	发动机后吊钩 HANGER-ENGINE,RR	E000000301	1	ALL
85	相位传感器 SENSOR-PHASE	E150120005	1	ALL
86	相位传感器基座组件 SAET-PHASE SENSOR	E120101001	1	ALL



NO	DESCRIPTION	PART NO	QTY	REMARK
11	起动机单项离合器 CLUTCH-STARTER MR479Q、MR479QA	死亡 E080000101	1	1.3L&1.5L
15	起动机总成 STARTER MR479Q、MR479QA	E080000010	1	1.3L&1.5L
59	起动机磁力开关 SWITCH-STARTER MAGNETIC MR479Q、MR479QA	E370801021 2080000102	1 1	1.6L 1.3L&1.5L

29-271 BATTERY



NO	DESCRIPTION	PART NO	QTY	REMARK
1	蓄电池托架(包括螺栓和固定卡) TRAY-BATTERY	1703331180	1	ALL
3	蓄电池总成 BATTERY	1703332180	1	ALL