

# Ford Sierra Wiring Diagram

Full download: <http://manualplace.com/download/ford-sierra-wiring-diagram/>

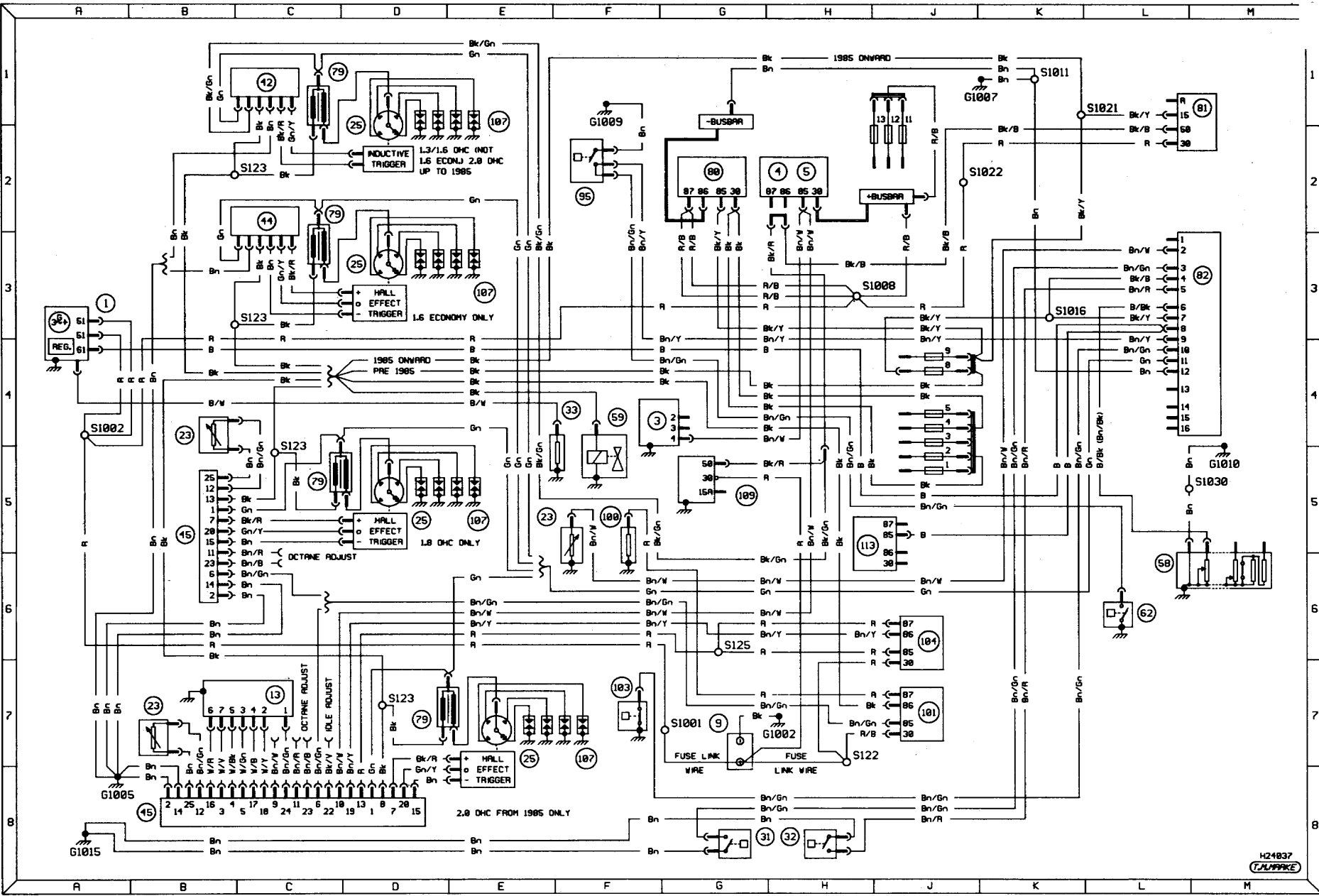


Diagram 1. Starting, charging and ignition (except fuel injection).  
Models up to 1987

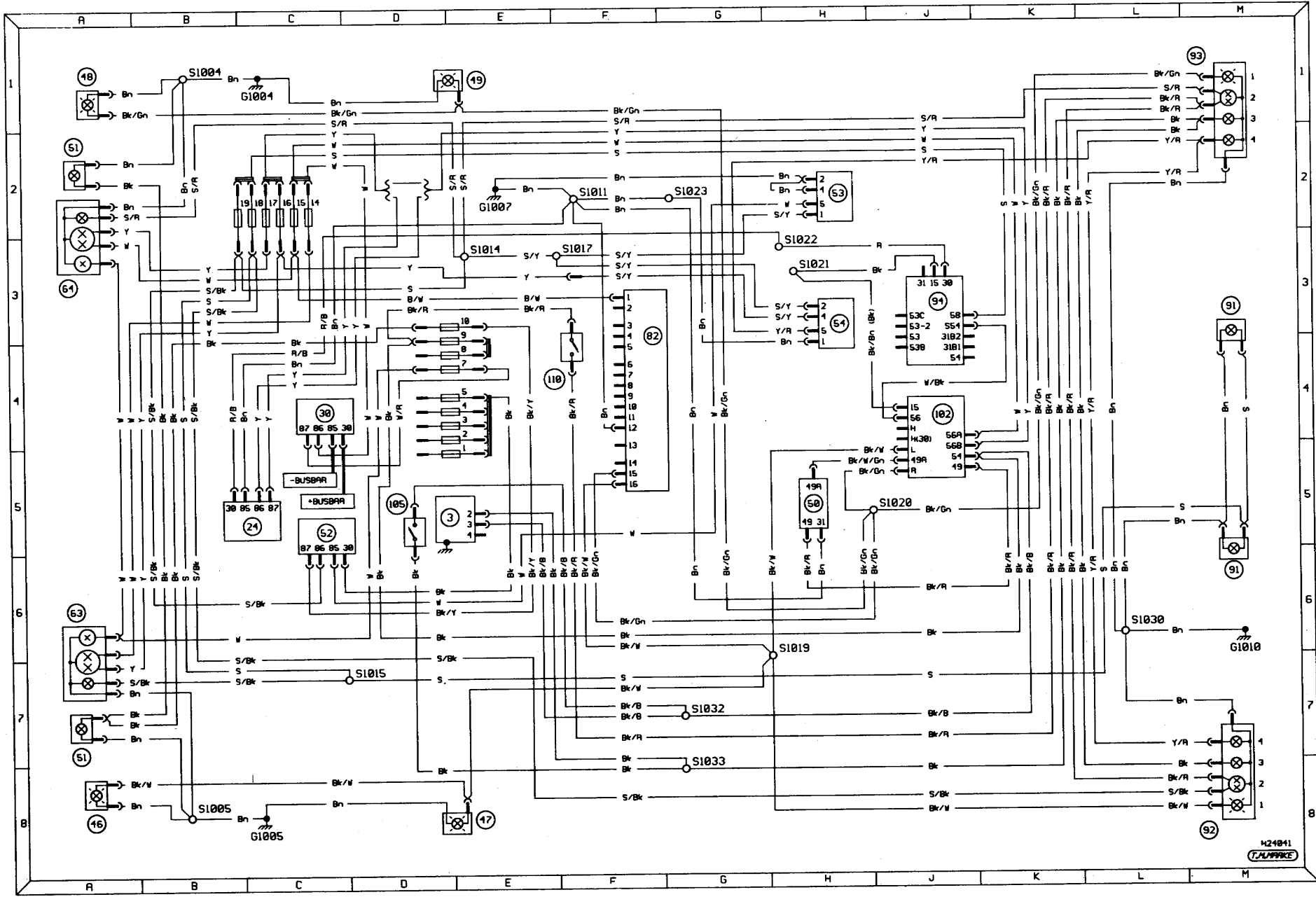


Diagram 2. Exterior lighting. Models up to 1987

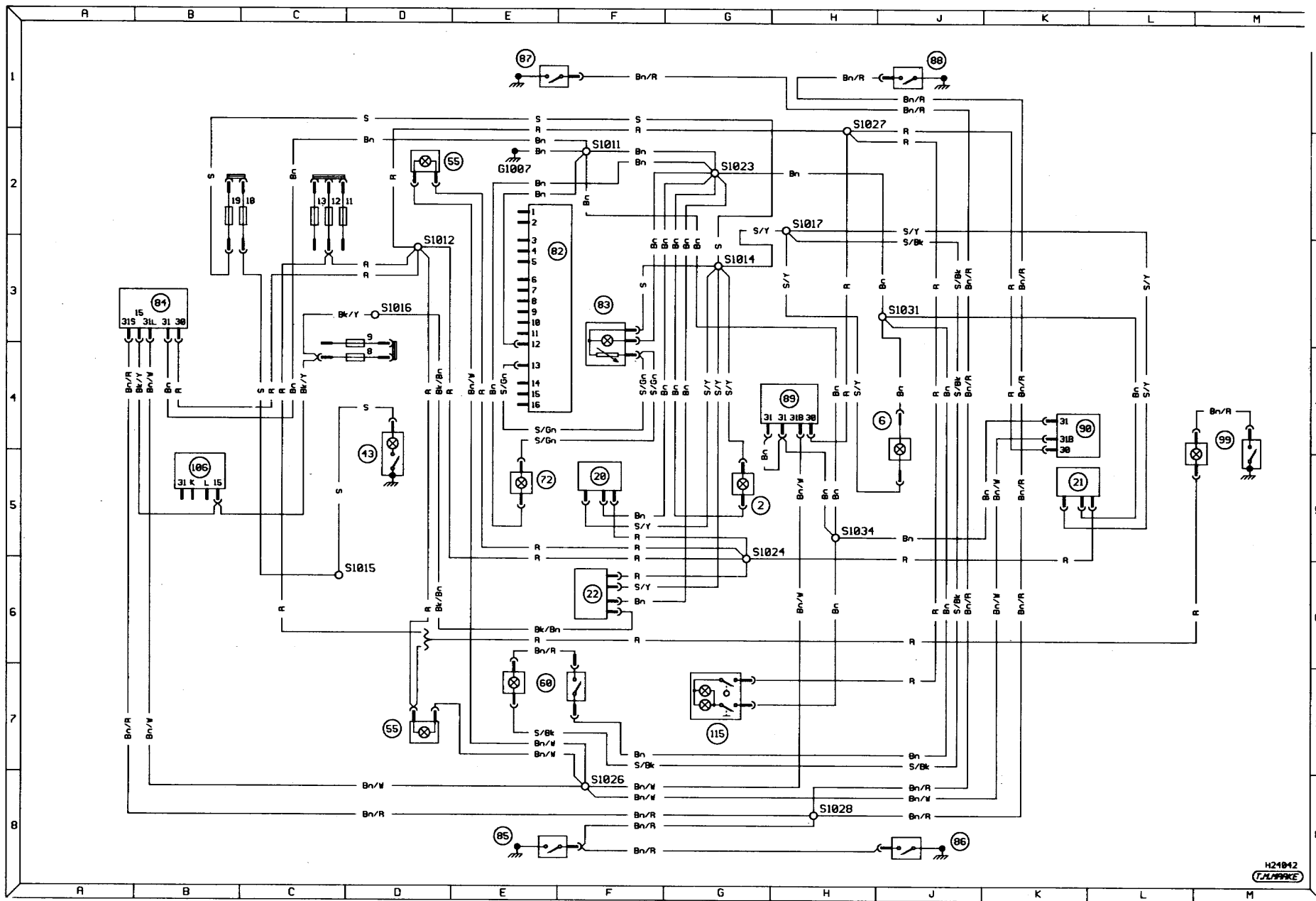


Diagram 2a. Interior lighting. Models up to 1987

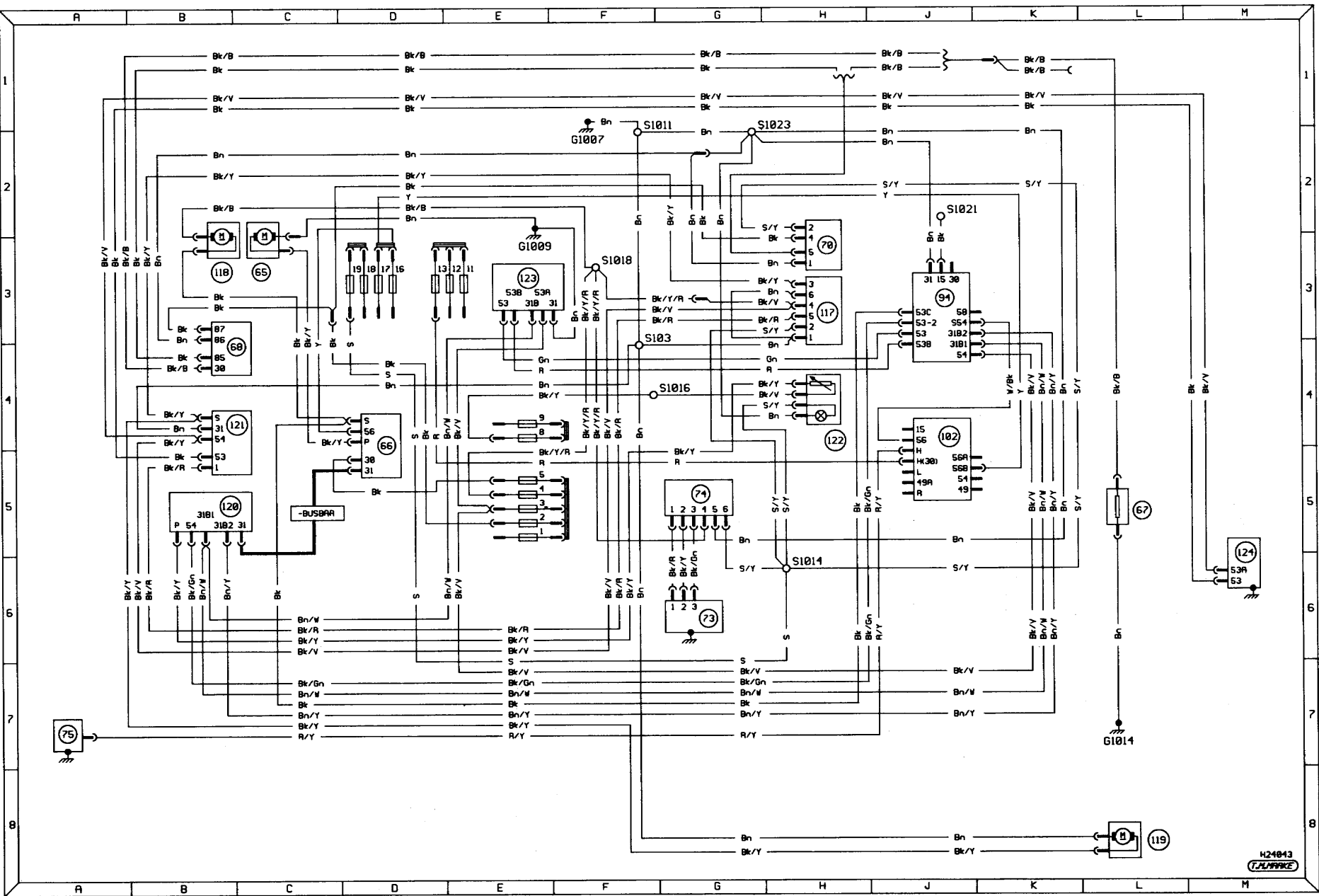


Diagram 3. Ancillary circuits (low series). Models up to 1987