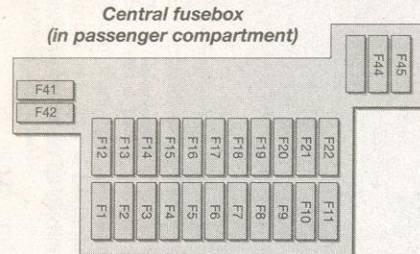
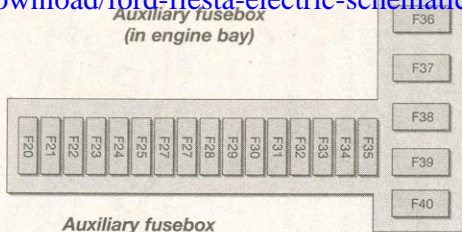
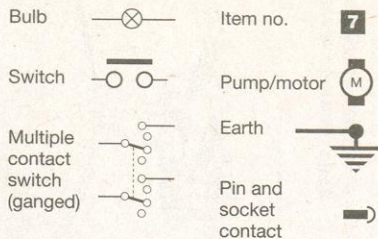


# Ford Fiesta Electric Schematic

Full download: <http://manualplace.com/download/ford-fiesta-electric-schematic/>



## Auxiliary fusebox

Fuse	Rating	Circuit protected
F1	-	Protection diode for EEC V relay
F2	-	Not used
F3	-	Not used
F23	10A	LH main beam
F24	10A	RH main beam
F25	10A	LH low beam
F26	10A	RH low beam
F27	10A	Lambda sensor (petrol) or Fuel heater (diesel)
F28	15A	Engine management
F29	20A	Reversing lights/compressor clutch (a/c)
F30	3A	ABS module
F31	30A	ABS module
F32	3A	EEC V ignition module
F33	30A	ABS module
F34	25A	Transmission
F35	10A	Fuel pump (petrol) or PATS module (diesel engine)
F36	60A	Engine management, blower, fuel pump glow plug (diesel)
F37	40A	Heated windscreen
F38	60A	Central locking, heated rear screen
F39	60A	Headlight washer
F40	60A	Ignition lock

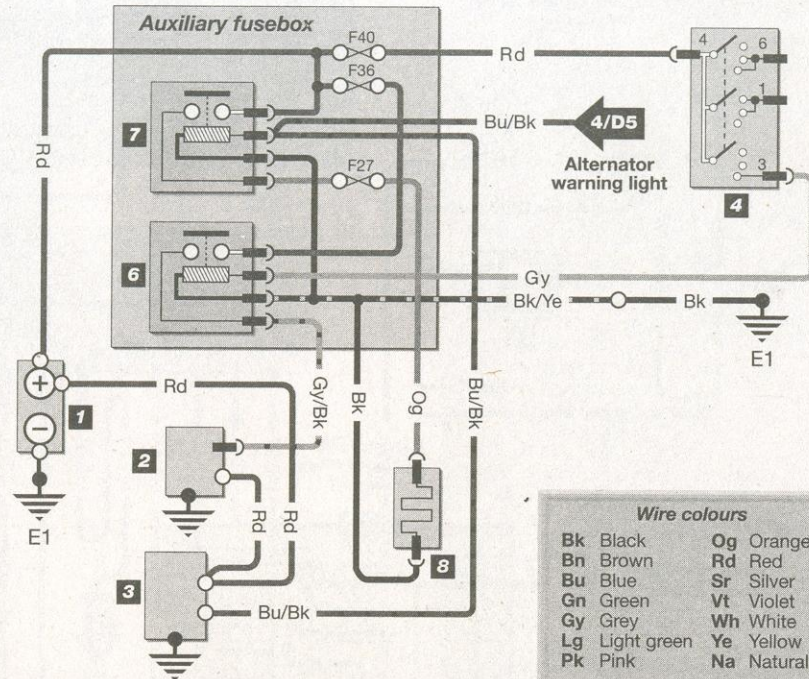
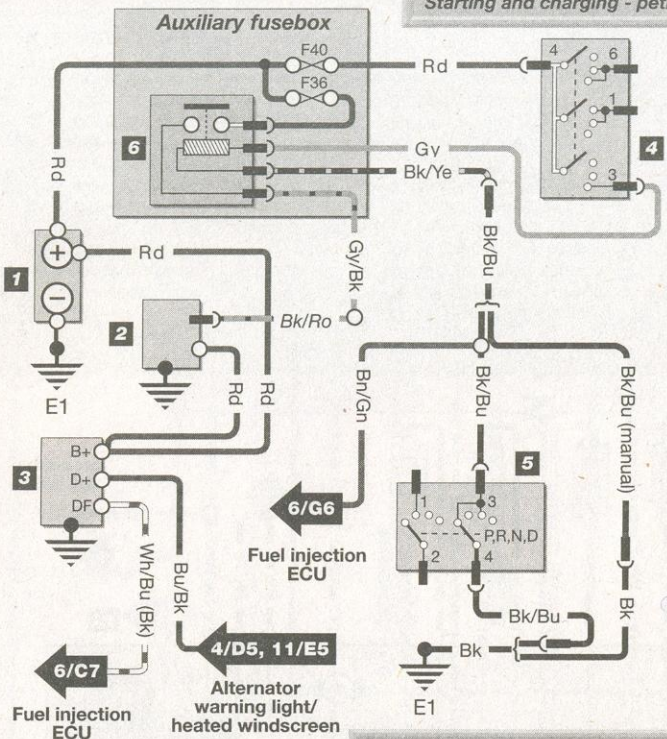
## Earth locations

E1	Engine compartment LH side
E2	'A' pillar passenger's side
E3	Vehicle rear end LH side
E4	'A' pillar driver's side
E5	Vehicle rear end RH side
E6	'A' pillar driver's side
E7	On radiator LH side
E8	'A' pillar passenger's side
E9	LH 'A' pillar
E10	Engine compartment front LH side
E11	Engine compartment front RH side
E12	Under centre console
E13	On steering column
E14	Cargo space door LH side (Courier)
E15	Cargo space door RH side (Courier)
E16	In tailgate

## Central fusebox

Fuse	Rating	Circuit protected
F1	15A	Cigar lighter
F2	20A	Interior lights, clock, radio memory
F3	-	Not used
F4	15A	Heated rear screen/exterior mirrors
F5	20A	Horn, alarm
F6	10A	LH sidelight
F7	10A	RH sidelight
F8	15A	Central locking, electric mirrors
F9	15A	Seat height adjustment
F10	15A	Heated front seats
F11	30A	Central locking, electric windows
F12	20A	Wiper motor, screen washer pump
F13	15A	Brake light, instrument panel
F14	10A	Air bag
F15	10A	Heated mirrors
F16	30A	Heater blower motor
F17	15A	Direction indicators
F18	15A	Ignition
F19	10A	Engine management, alarm, radio
F20	30/10A	Headlight washer (Scandinavia only) Dim/dip (RHD only)
F21	-	Not used
F22	10A	Diagnostic plug
F41	10A	Rear fog light (depending on country)
F42	10A	Rear fog light (depending on country)
F43	10A	Daytime running lights (Scandinavia only) High beam locking diode (RHD only)
F44	20A	Door locking module
F45	15A	Luggage compartment release (central locking only)

NOTE: Fuses and wire colour in *italic* refer to post 09/1999



## Wire colours

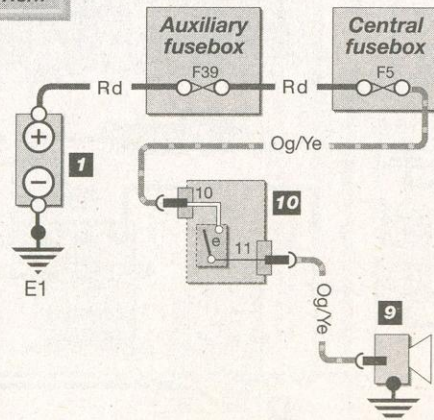
Bk	Black	Og	Orange
Bn	Brown	Rd	Red
Bu	Blue	Sr	Silver
Gn	Green	Vt	Violet
Gy	Grey	Wh	White
Lg	Light green	Ye	Yellow
Pk	Pink	Na	Natural

Note,  
wire colours in brackets  
denote 1.25/1.4 Zetec models

## Key to items

- 1 Battery
- 2 Starter motor
- 3 Alternator
- 4 Ignition switch
- 5 Starter inhibitor switch (auto. trans.)
- 6 Starter relay
- 7 Fuel heater relay (Diesel)
- 8 Fuel heater (Diesel)
- 9 Horn
- 10 Multifunction switch (part of)  
e = horn switch
- 11 Cigar lighter
- 12 Clock

## Horn



## Cigar lighter and clock

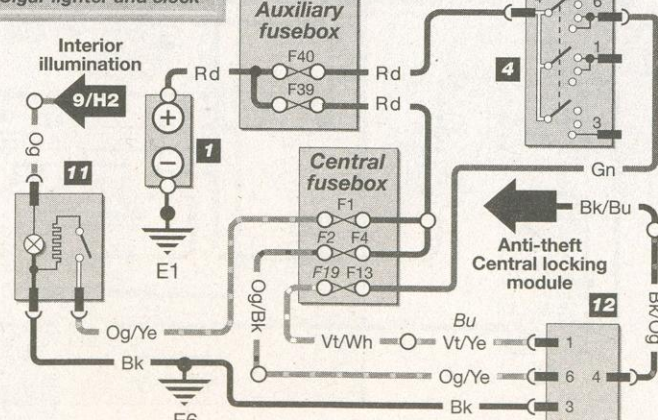


Diagram 2 : Starting, charging, (fuel heater - Diesel), horn, cigar lighter and clock up to Feb 2000

