

SYSTEM WIRING DIAGRAMS

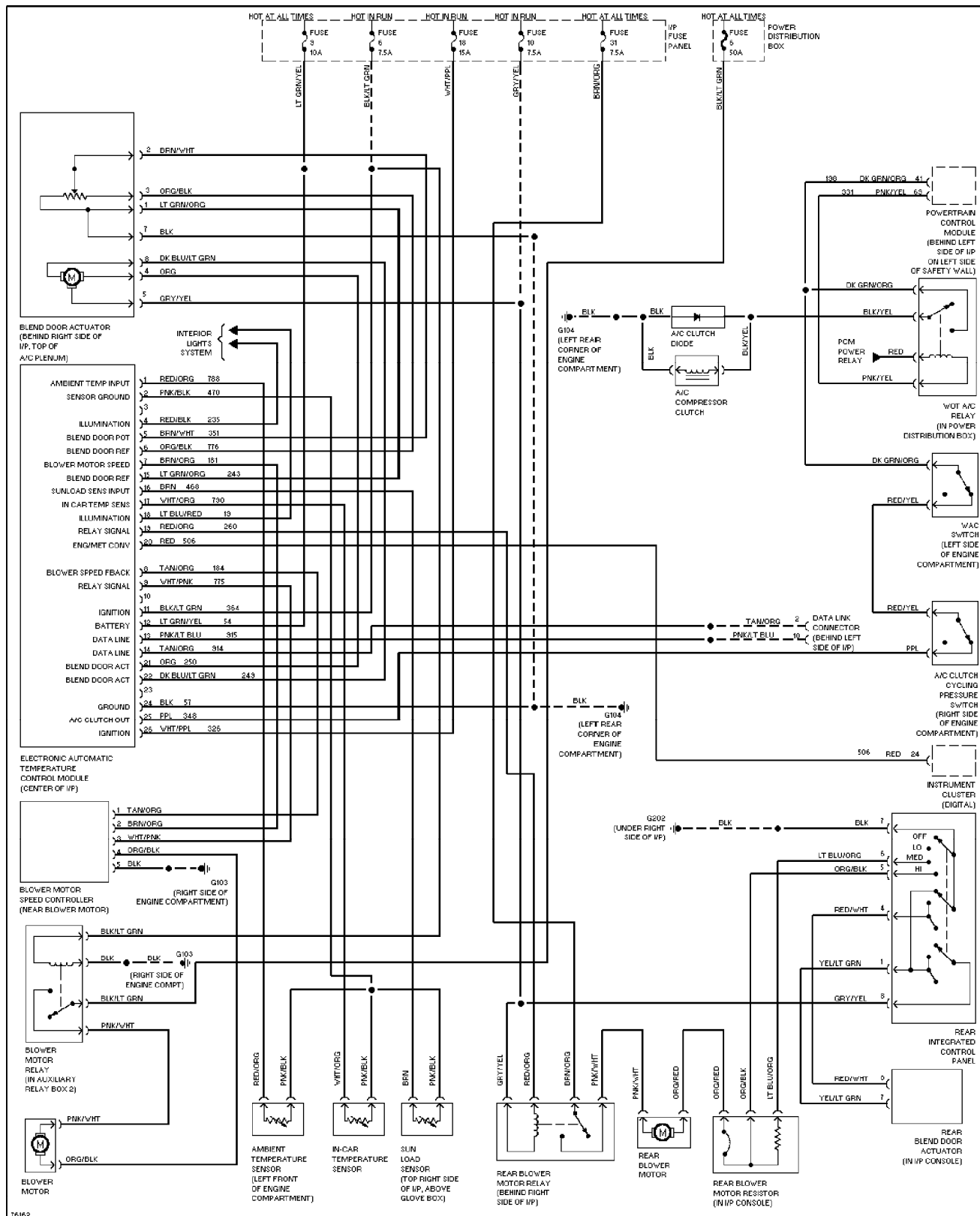
A/C Circuit, Auto A/C

1996 Ford Explorer

For x

Copyright © 1998 Mitchell Repair Information Company, LLC

Monday, October 04, 2004 09:51AM



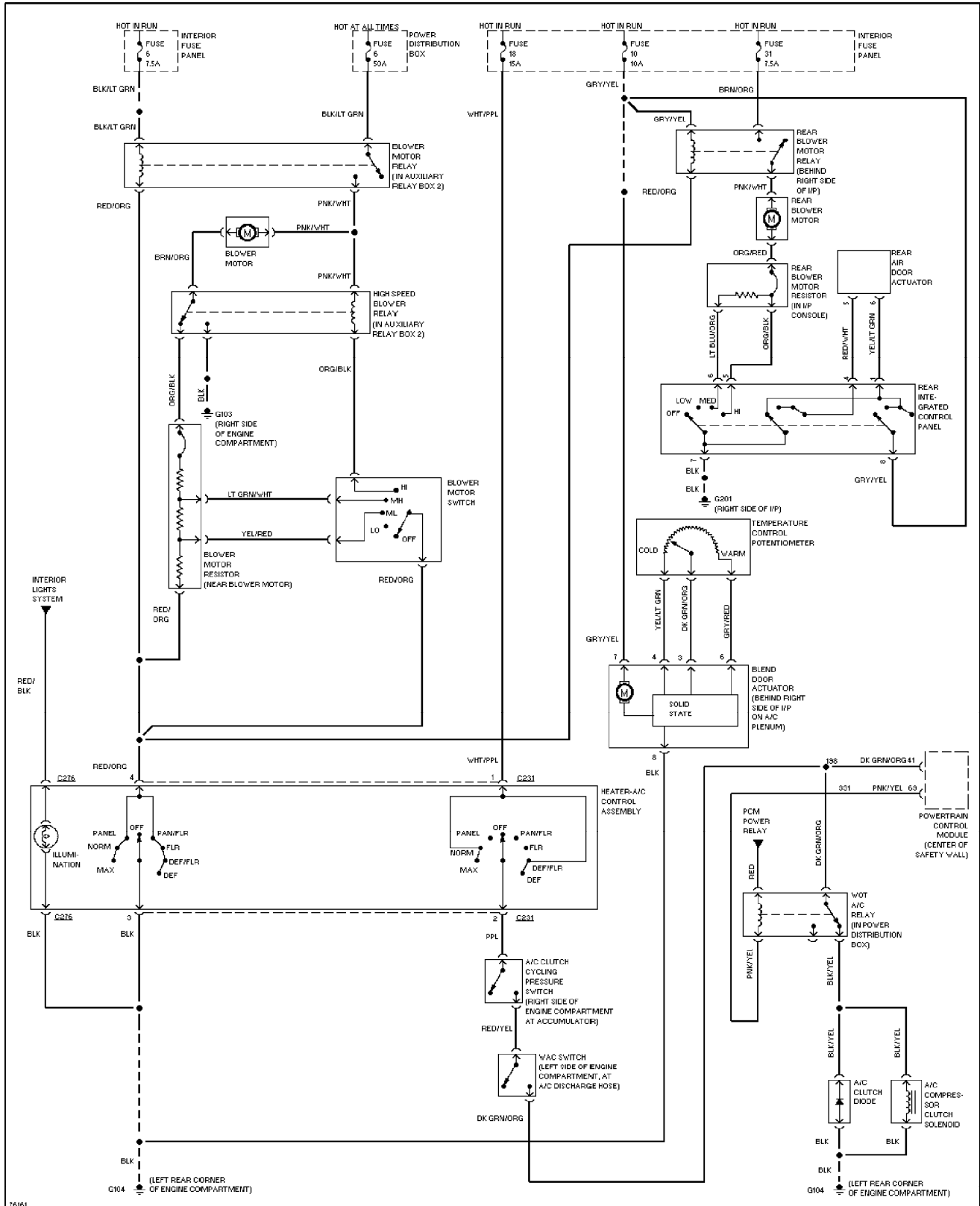
SYSTEM WIRING DIAGRAMS

A/C Circuit, Manual A/C (p. 2)

1996 Ford Explorer

For x

Copyright © 1998 Mitchell Repair Information Company, LLC
 Monday, October 04, 2004 09:51AM



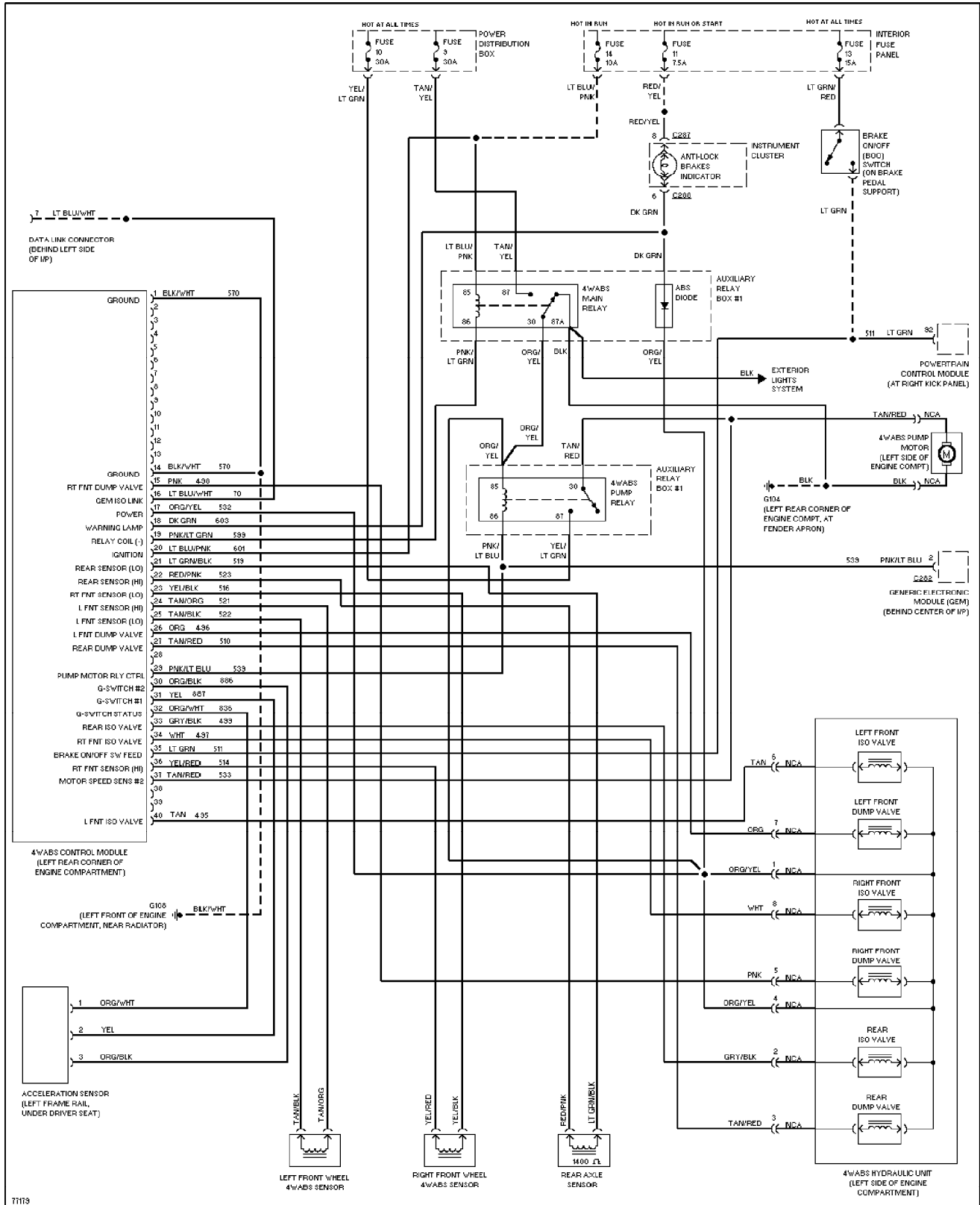
SYSTEM WIRING DIAGRAMS

Anti-lock Brake Circuits (p. 3)

1996 Ford Explorer

For x

Copyright © 1998 Mitchell Repair Information Company, LLC
Monday, October 04, 2004 09:51AM



SYSTEM WIRING DIAGRAMS

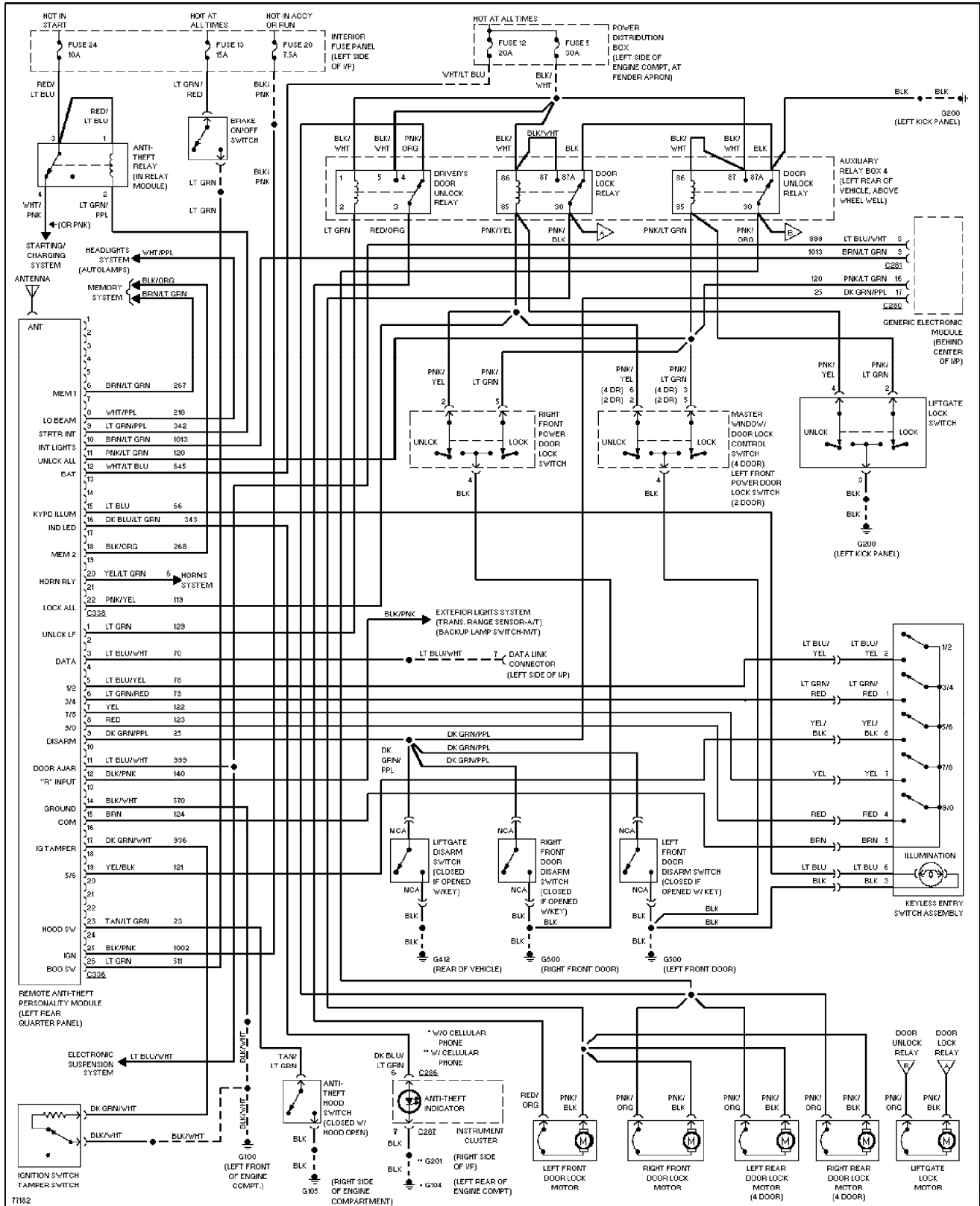
Anti-theft Circuit (p. 4)

1996 Ford Explorer

For x

Copyright © 1998 Mitchell Repair Information Company, LLC

Monday, October 04, 2004 09:51AM



SYSTEM WIRING DIAGRAMS

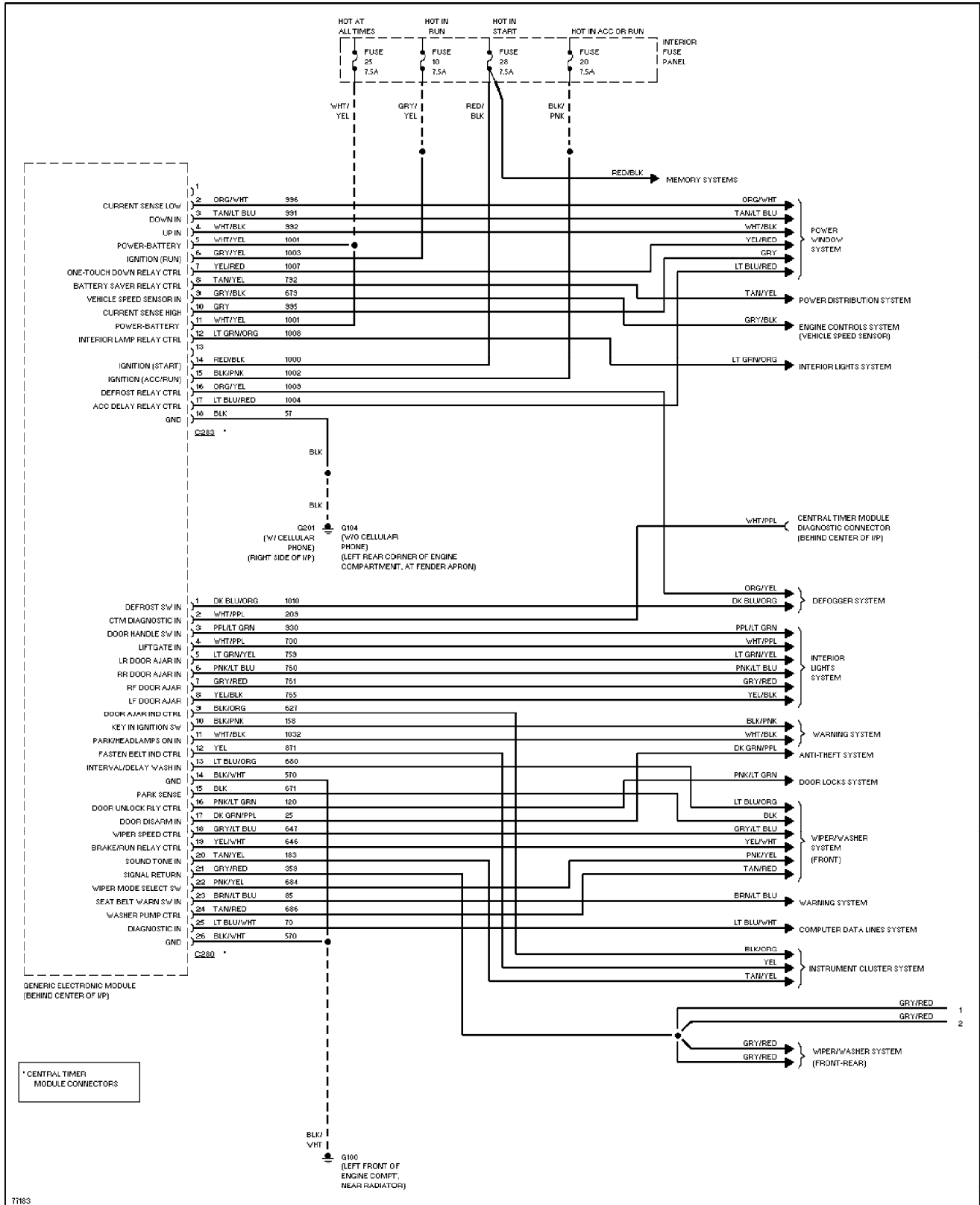
Body Computer Circuits (1 of 2) (p. 5)

1996 Ford Explorer

For x

Copyright © 1998 Mitchell Repair Information Company, LLC

Monday, October 04, 2004 09:51AM



SYSTEM WIRING DIAGRAMS

Body Computer Circuits (2 of 2) (p. 6)

1996 Ford Explorer

For x

Copyright © 1998 Mitchell Repair Information Company, LLC

Monday, October 04, 2004 09:51AM

