



**Power
Products**

PARTS LIST

**LSG-423
140 C.I.D.
GASOLINE ENGINE**



LSG-423
140 CID
GASOLINE ENGINE



JAN 26 1994

INDEX

AIR CLEANER - OFFSET	74	MANIFOLD - INTAKE AND	
AIR CLEANER - REMOTE	76	EXHAUST	42
AIR HORN - CARBURETOR.....	78	MODULE - IGNITION	54
ALTERNATOR AND RELATED		MUFFLER	42
PARTS	48	OIL FILTER	22
BAFFLE - CYLINDER BLOCK		OIL LEVEL INDICATOR.....	2
VENTILATION.....	2	OIL PAN	22
BEARING - AUXILIARY SHAFT.....	24	PCV SYSTEM.....	20
BEARING - CAMSHAFT	8-12	PISTON.....	10
BEARING - CONNECTING ROD....	10	POWER TAKE OFF	32
BEARING - CRANKSHAFT MAIN....	14	POWER UNIT	60-66
BEARING - PILOT.....	16	PLATE - REAR ENGINE.....	16
BELT - TIMING	12	PUMP - FUEL - STANDARD.....	38
CAMSHAFT AND RELATED		PUMP - FUEL - OPTIONAL.....	40
PARTS	12	PUMP - OIL.....	22
CARBURETOR - HOLLEY.....	44	PUMP - WATER.....	34
CARBURETOR - FACET.....	46	RADIATOR AND RELATED	
CLUTCH AND RELATED PARTS....	16	PARTS - 79/89.....	64
COIL - IGNITION	54-56	RADIATOR AND RELATED	
CONNECTING ROD	10	PARTS - 89/.....	66
COOLANT RECOVERY SYSTEM ...	68	SENDER - WATER	
COVER - VALVE ROCKER		TEMPERATURE INDICATOR.....	2
ARM.....	18-20	SHAFT - AUXILIARY AND	
CRANKSHAFT AND RELATED		RELATED PARTS	24
PARTS	14	SHEET METAL AND RELATED	
CYLINDER ASSEMBLY	2	PARTS - 79/89.....	60
CYLINDER BLOCK AND PLUGS.....	2	SHEET METAL AND RELATED	
CYLINDER FRONT COVER	6	PARTS - 89/.....	62
CYLINDER HEAD	8	SPARK PLUGS	54-56
EXHAUST SYSTEM.....	42	STARTER.....	50-52
FAN AND RELATED PARTS	34	SUPPORT - ENGINE - 79/89.....	64
FLYWHEEL AND RING GEAR.....	16	SUPPORT - ENGINE - 89/.....	66
GASKET KITS - ENGINE LOWER		TACHOMETER	70-72
AND VALVE GRIND.....	4	THERMOSTAT AND HOUSING.....	34
GOVERNOR.....	58	TRANSMISSION.....	26-30
IGNITION SYSTEM.....	54-56	VALVES AND VALVE TRAIN	
INSTRUMENTS AND		PARTS.....	18-20
CONTROLS - 79/89.....	70	VOLTAGE REGULATOR	70-72
INSTRUMENTS AND		WATER BYPASS SYSTEM	36
CONTROLS - 89/.....	72	WIRING HARNESS	70-72

LSG-423 ENGINE AND REPLACEMENT PARTS IDENTIFICATION

This FPPO Service Parts Catalog Section details the replacement parts for engine codes generically designated as LSG-423.

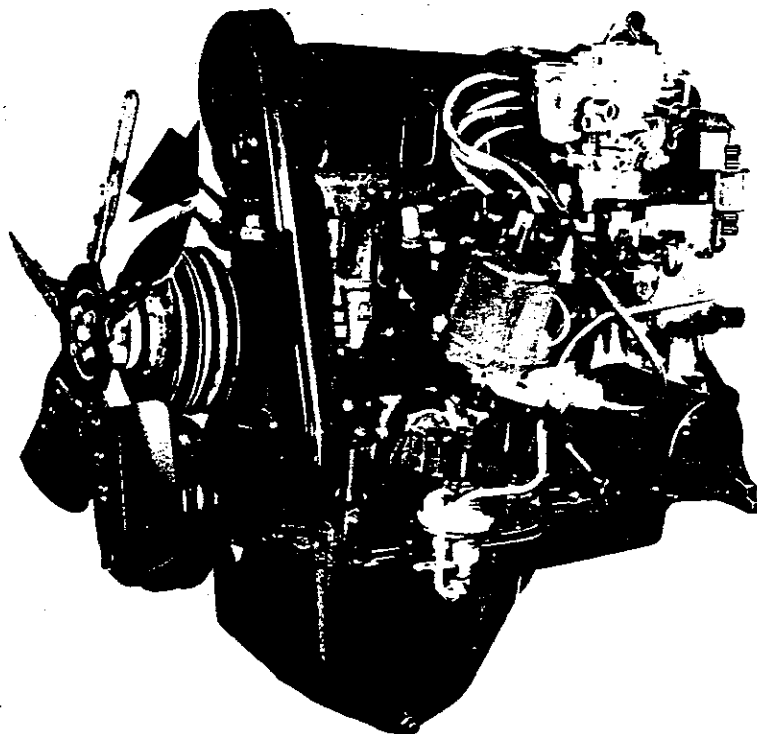
To identify the appropriate replacement part needed to service the engine, any of the following methods may be used.

- From the engine nameplate located on the rocker cover, determine the model number of the engine. Then check the appropriate bill of material microfiche to identify the engine code. Match the engine code against the alpha table below to determine in which of the three code categories it is listed.

<u>A</u>	<u>B</u>	<u>C</u>
9C-151-AA	2C-151-AA	EX-991-02
9C-153-AA	3C-151-AA	FX-991-02
0C-151-AA	4C-151-AA	ZX-991-02
0C-153-AA	5C-151-AA	HX-991-02
1C-151-AA	6C-151-AA	JX-991-02
CK-914-AA		KX-991-02
		AX-991-02

The format of the part number information in this catalog section permits you to identify the correct part number for the "A", "B" and "C" engine codes based on the three columns shown on the right margin of each catalog section page.

- If there is no nameplate on the engine rocker cover, or the nameplate information is illegible, refer to the white sticker affixed across the timing belt cover for the engine code. Its location on the engine is illustrated below:





**LSG-423
140 CID
GASOLINE ENGINE**

After having located the sticker on the engine timing belt cover, check the engine code against the alpha table in the same way as noted above to determine whether the correct replacement part number appears in column "A", "B" or "C" on the appropriate catalog reference page.

- In the event the engine has neither a nameplate nor a sticker on the timing belt cover, the proper engine code can be determined by a quick check of the intake ports. After having removed the intake manifold, compare the intake port configuration against the following three illustrations, each of which is keyed to one of the three alpha code categories referenced above for replacement part identification.

**ALPHA
CODE**

INTAKE PORT CONFIGURATION

A



B

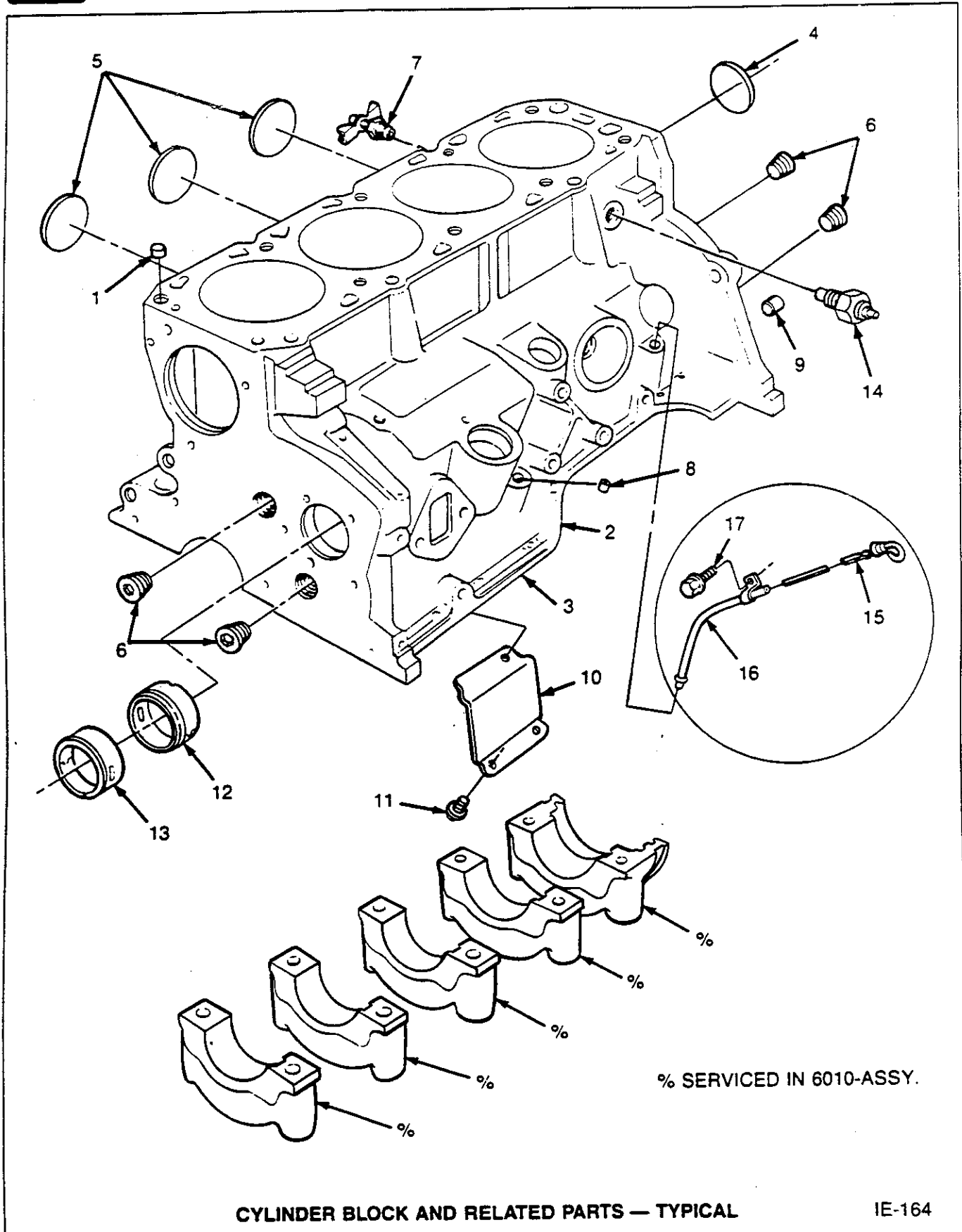


C





LSG-423 140 CID GASOLINE ENGINE



CYLINDER BLOCK AND RELATED PARTS — TYPICAL

IE-164

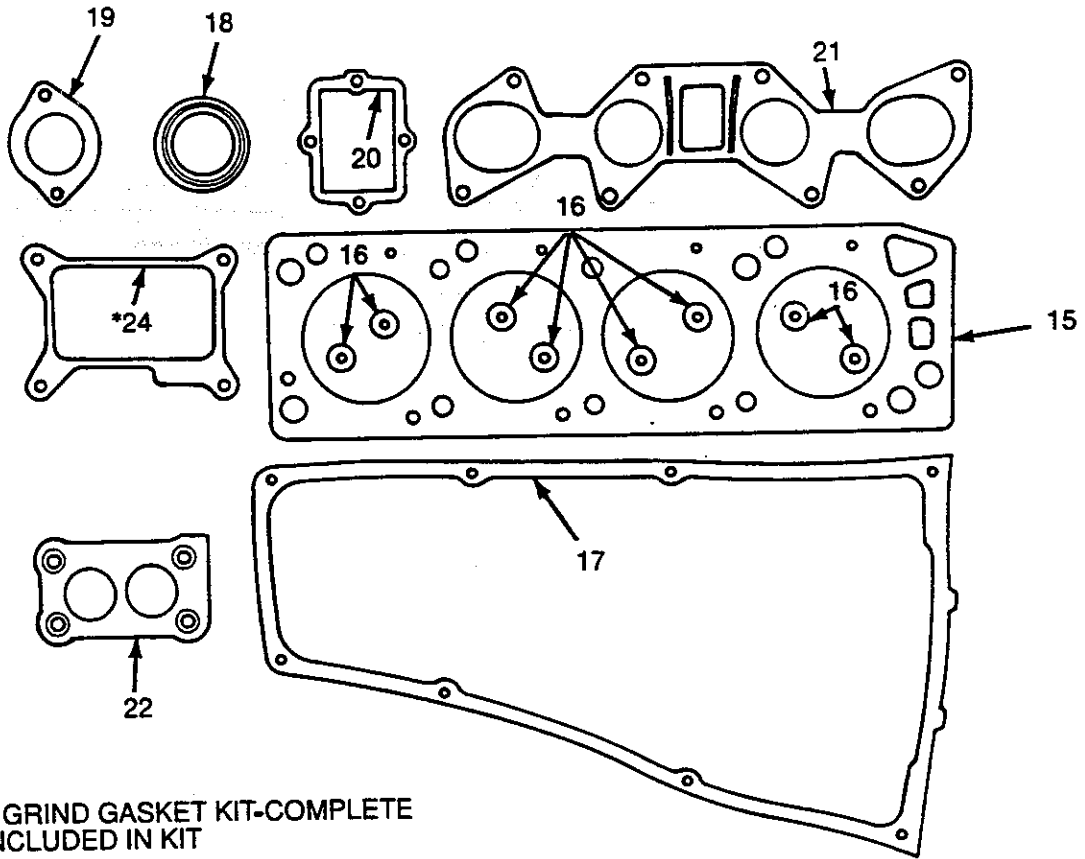
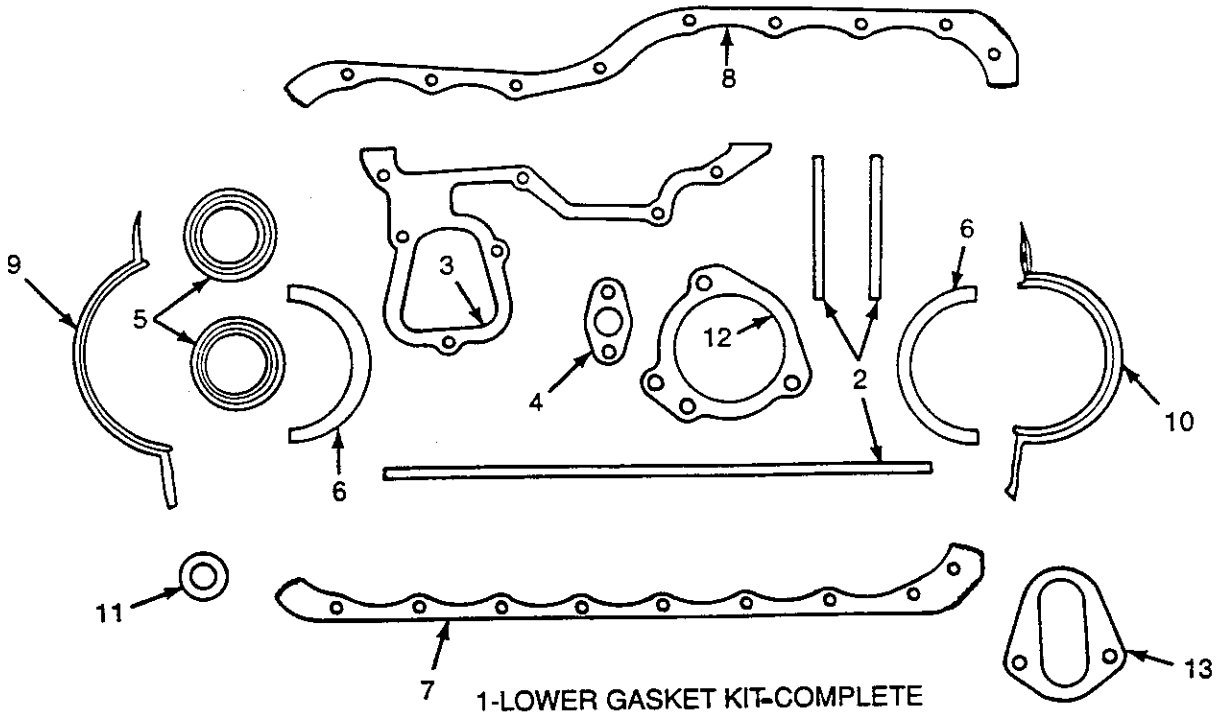
**LSG-423
140 CID
GASOLINE ENGINE**



REF NO.	YEAR	PART NUMBER	DESCRIPTION	QUANTITY		
				A	B	C
CYLINDER BLOCK AND RELATED PARTS						
DOWEL - CYLINDER HEAD TO BLOCK						
1	79/	D4FZ-6A008-A	Dowel - Cylinder Head To Block	2	2	2
CYLINDER ASSEMBLY						
INCLUDES CYLINDER BLOCK WITH ALL INTERNAL PARTS OF THE ENGINE. BUT DOES NOT INCLUDE CYLINDER HEADS, OIL PAN OR CYLINDER FRONT COVER						
2	79/82 82/87 87/	D9FZ-6009-A E9ZZ-6009-A E9ZZ-6009-B	Cylinder Assembly - With 2 Piece Rear Seal - Not Serviced	1		
			Cylinder Assembly - With 1 Piece Rear Seal	1	1	1
			Cylinder Assembly - With 1 Piece Pan Gasket - Not Serviced			1
BLOCK ASSEMBLY - CYLINDER						
3	79/82 82/87 87/	D9FZ-6010-B E3ZZ-6010-B E7SZ-6010-A	Block Assembly - Use With 2 Piece Rear Seal - Not Serviced	1		
			Block Assembly - Use With 1 Piece Rear Seal	1	1	1
			Block Assembly - With 1 Piece Pan Gasket			1
4	79/	C5AZ-6026-J	Plug - 2.078 OD	1	1	1
	79/	C5AZ-6026-H	Plug - .060 O/S	1	1	1
5	79/	D7AZ-6026-A	Plug - 1.50 Cup	3	3	3
	79/	C8AZ-6026-D	Plug - .060 O/S	AR	AR	AR
6	79/	87838-S101	Plug - 3/8 NPT	AR	AR	AR
	79/	F1ZZ-6026-B	Plug - 1/4 NPT	AR	AR	AR
7	79/	8A-8115-A	Drain Cock - 1/4 NPT	1	1	1
8	79/	352532-S	Plug - 3/8 Cup	AR	AR	AR
9	79/	D7BZ-6397-A	Dowel - Flywheel Housing To Block	2	2	2
BAFFLE - CYLINDER BLOCK VENTILATION						
10	79/	E5ZZ-6A630-A	Baffle - Cylinder Block Ventilation	1	1	1
11	79/	844100-S	Pin - Drive - Not Serviced	3	3	3
BEARING - AUXILIARY DRIVESHAFT						
12	79/	D4FZ-6A738-A	Bearing - Rear - Standard	1	1	1
	79/	D4FZ-6A738-B	Bearing - Rear - .015 U/S	AR	AR	AR
13	79/	D4FZ-6A753-A	Bearing - Front - Standard	1	1	1
	79/	D4FZ-6A753-B	Bearing - Front - .015 U/S	AR	AR	AR
SENDER - WATER TEMPERATURE INDICATOR						
14	79/	DOHZ-10884-A	Sender - Water Temperature Indicator	1	1	1
TUBE AND INDICATOR - OIL LEVEL						
15	79/	EOFZ-6750-A	Indicator - Front Sump		1	
	79/84	E2JL-6750-AA	Indicator - Rear Sump	1	1	
	84/	E4JL-6750-AB	Indicator - Rear Sump			1
16	79/	D7FZ-6754-A	Tube - Front Sump		1	
	79/84	D9JL-6754-A	Tube - Rear Sump	1	1	
	84/	E4JL-6754-AA	Tube - Rear Sump			1
17	79/	N800013-S2	Bolt - M8 x 19 - Tube To Manifold	1	1	



LSG-423
140 CID
GASOLINE ENGINE



GASKET KITS — ENGINE — TYPICAL

IE-166B

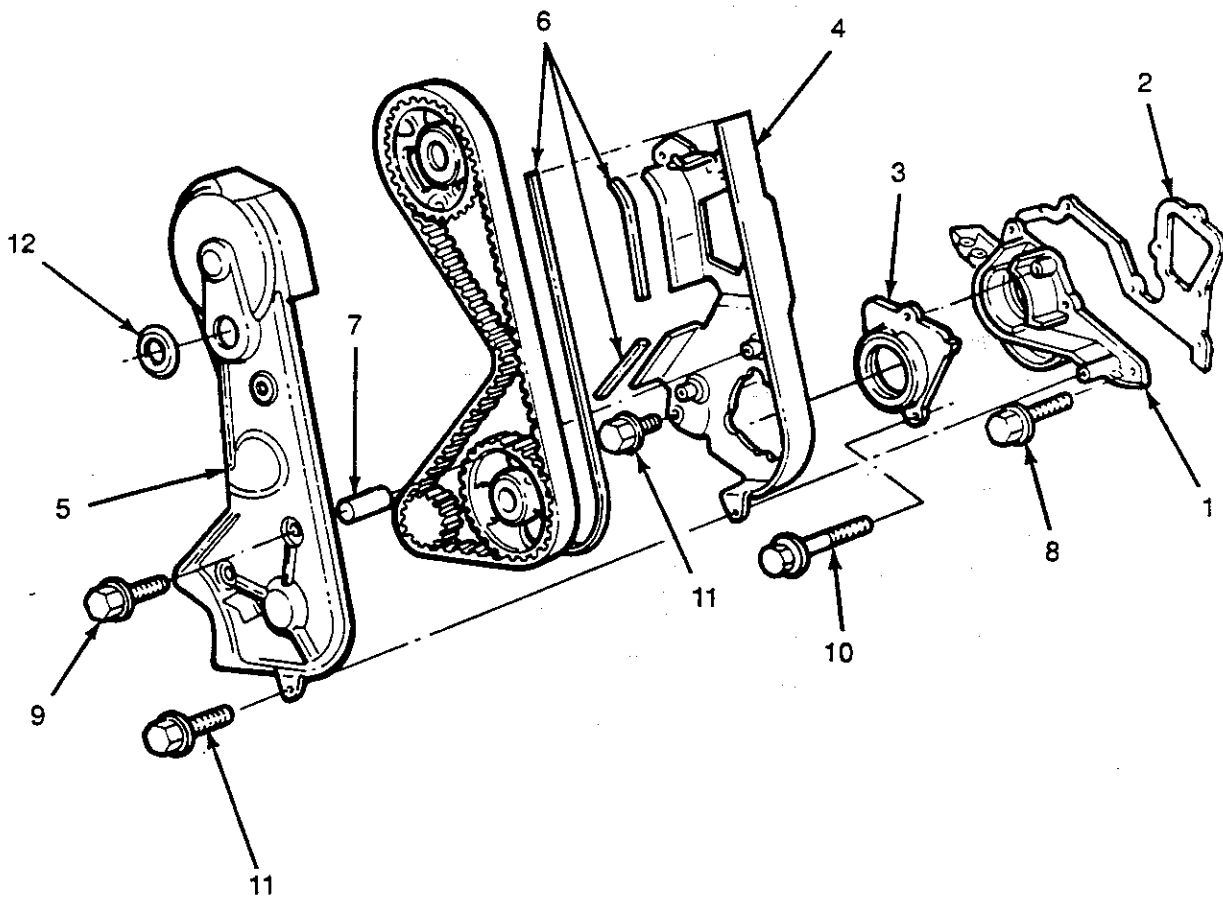
**LSG-423
140 CID
GASOLINE ENGINE**



REF NO.	YEAR	PART NUMBER	DESCRIPTION	QUANTITY		
				A	B	C
GASKET KITS - ENGINE						
GASKET KITS - LOWER AND VALVE GRIND						
1	79/87	E5ZZ-6E078-B	Lower	1	1	1
CONSISTS OF						
2		D42E-6E009-BB	Seal - Front Cover	2	2	2
3		D4FZ-6020-A	Seal - Front Cover	1	1	1
4		E8ZZ-6020-A	Gasket - Lower Front Cover	1	1	1
5		E8ZZ-6626-A	Gasket - Oil Pump To Pick Up	1	1	1
6		E8ZZ-6700-A	Seal - Front	2	2	2
7		D4FZ-6701-A	Seal - Rear - 2 Piece	2	2	2
8		E5ZZ-6701-A	Seal - Rear - 1 Piece			1
9		E5ZE-6710-CA	Gasket - Oil Pan - Right	1	1	1
10		E5ZE-6711-AA	Gasket - Oil Pan - Left	1	1	1
11		E42E-6722-AB	Seal - Oil Pan - Front	1	1	1
12		D9EE-6723-AA	Seal - Oil Pan - Rear	1	1	1
13		F3DZ-6734-A	Gasket - Drain Plug	1	1	1
14		E8ZZ-8507-A	Gasket - Water Pump	1	1	1
15		D42E-9417-AA	Gasket - Fuel Pump	1	1	1
16	87/	E6ZZ-6E078-B	Lower			1
CONSISTS OF						
17		D42E-6E009-BB	Seal - Front Cover			2
18		D4FZ-6020-A	Seal - Front Cover			1
19		E8ZZ-6020-A	Gasket - Lower Front Cover			1
20		E8ZZ-6626-A	Gasket - Oil Pump To Pick Up			1
21		E8ZZ-6700-A	Seal - Front			2
22		E5ZZ-6701-A	Seal - Rear - 1 Piece			1
23		F1ZZ-6710-A	Gasket - Oil Pan - One Piece			1
24		F3DZ-6734-A	Gasket - Drain Plug			1
25		E8ZZ-8507-A	Gasket - Water Pump			1
26		D42E-9417-AA	Gasket - Fuel Pump			1
27	79/	E5ZZ-6078-E	Valve Grind	1	1	1
CONSISTS OF						
28		E8ZZ-6051-A	Gasket - Cylinder Head	1	1	1
29		E7ZZ-6571-AA	Seal - Standard Intake	4	4	4
30		E7ZZ-6571-B	Seal - Standard Exhaust	4	4	4
31		F1ZZ-6584-A	Gasket - Rocker Cover	1	1	1
32		E8ZZ-6700-A	Seal - Front	1	1	1
33		E8ZZ-8255-A	Gasket - Water Outlet Connection	1	1	1
34		D8FZ-9E436-B	Gasket - Intake Manifold Cover	1	1	1
35		D4FZ-9441-A	Gasket - Intake Manifold	1	1	1
36		E59Z-9439-A	Gasket - Intake Manifold		1	1
37		D9FZ-9447-A	Gasket - Carburetor	1	1	1
38		E4ZZ-9447-C	Gasket - Carburetor	1	1	1
39		D9FZ-9448-B	Gasket - Exhaust Manifold	1	1	1
40	79/	E4TZ-9C477-A	Gasket - Carburetor Spacer	1	1	



LSG-423
140 CID
GASOLINE ENGINE



CYLINDER FRONT COVER AND RELATED PARTS — TYPICAL

IE-149

LSG-423
140 CID
GASOLINE ENGINE



REF NO.	YEAR	PART NUMBER	DESCRIPTION	QUANTITY		
				A	B	C
CYLINDER FRONT COVER AND RELATED PARTS						
COVER ASSEMBLY - CYLINDER FRONT						
1	79/87	E3TZ-6019-A	Cover - Lower - Metal	1	1	1
	87/	E6ZZ-6019-A	Cover - Lower - Metal			1
2	79/	E8ZZ-6020-A	Gasket - Lower Front Cover	1	1	1
3	79/	D4FZ-6019-B	Cover - Metal	1	1	1
4	79/81	D4FZ-6019-C	Cover - Inner - Metal	1	1	
	82/	E3ZZ-6019-B	Cover - Inner - Plastic		1	1
5	79/81	D8BZ-6019-D	Cover - Outer - Metal - Not Serviced	1	1	
	82/	E3ZZ-6019-A	Cover - Outer - Plastic		1	1
6	79/	D4FZ-6020-A	Seal - Front Cover	1	1	1
7	79/81	D4FZ-6K291-A	Spacer - Cover	2	2	
8	79/	N602529-S2	Screw And Washer - M6 x 20	4	4	4
9	79/81		Bolt - M6 x 20 - Not Serviced	2	2	
	82/	E7ZZ-6E008-A	Stud - M8 x 49	1	1	1
	82/	N801688-S2	Bolt - M6 x 17	4	4	4
10	79/	N602529-S2	Screw And Washer - M6 x 20	AR	AR	AR
11	79/81	N800035-S	Screw And Washer - M6 x 14 - Attach Inner And Outer Covers	4	4	
	82/	N801688-S2	Bolt - M6 x 17	3	3	3
12	79/	E8ZZ-6026-A	Plug - Hole In Front Cover	1	1	1