

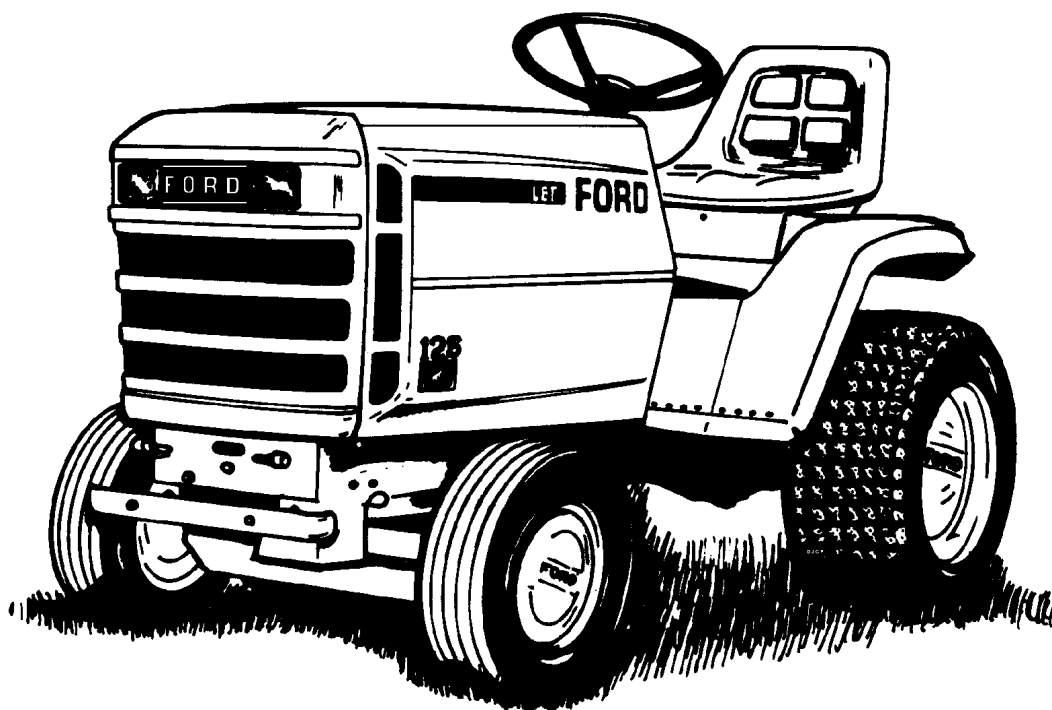
# FORD

## LAWN & GARDEN TRACTOR

### 1972/-

100, 120, 125, 145, 165, & 195

# PARTS LIST



Ford Tractor Operations

FTO-17205-K

Printed in the U.S.A.

Troy, Michigan 48084

# LAWN & GARDEN TRACTORS

## GROUP INDEX

<u>GROUP NO.</u>	<u>DESCRIPTION</u>	<u>FICHE 203 IMAGE LOC.</u>	<u>PAGE NO.</u>
1-1	Frame, Brake Linkage & Related Parts - 10 & 12 H.P. Gear	B2, B3	2 - 3 - 3a - 4
1-2	Transaxle, Brake Drum & Rear Rim - 10 & 23 H.P. Gear	B4	4a - 5
1-3	Transaxle Assembly - 10 & 12 H.P. Gear	B5, B6	6 - 7 - 7a - 8
1-4	Frame & Related Parts - 20 H.P.	B7	9
1-5	Frame, Brakes & Related Parts - 12, 14, 16 H.P. Hydro - 1972/76	B8, B9	10 - 11 - 12 - 13
1-5A	Frame, Brakes & Related Parts - 12, 14, 16 H.P. Hydro - 1977/	B10, B11	13a - 13B - 13c - 13d
1-6	Hydrogear, Transaxle & Rear Wheel - 12, 14, 16 H.P. Hydro	C2	14 - 15
1-7	Brake Linkage - 20 H.P.	C3	16 - 17
1-8	Speed Control Linkage - 20 H.P.	C4	18 - 19
1-9	Hydrogear, Transaxle & Rear Wheel - 20 H.P.	C5, C6	20 - 21 - 22 - 23
1-10	Transaxle Assembly - 12, 14, 16, 20 H.P. Hydro	C7	24 - 25
1-11	Hydrogear Assembly - 12, 14, 16, H.P.	C8, C9	26 - 27 - 27a - 28
2-1	Drive Shaft & Clutch - 20 H.P.	C10	28a - 29
2-2	Drive Shaft & Clutch - All Models Except 20 H.P.	C11	30 - 31
2-3	Muffler, Engine & Related Parts 1972/76	D2	32
2-4	Muffler, Engine & Air Duct 1977/ — (Except 20 H.P.)	D2	33
2-5	Muffler, Engine & Related Parts - 20 H.P.	D3	34 - 35
2-6	Drive Parts (1972/—) Idler Parts (1972/73)	D4	36 - 37
2-7	Idler Parts All Models (1974/) Except 20 H.P.	D5	38 - 39
2-8	Idler Parts - 20 H.P.	D6	40 - 41
2-9	Fuel Tank & Related Parts - 10, 12, 14, H.P. (1977/—)	D7	42 - 43
2-10	Fuel Tank & Muffler - 16 H.P.	D8	44
2-11	Fuel Tank & Related Parts - 20 H.P.	D8	45
3-1	Steering Assembly - All Models Except 20 H.P.	D9, D10	46 - 47 - 48 - 49
3-2	Steering Assembly - 20 H.P.	D11, E2	50 - 51 - 51a - 52
3-3	Gear Assembly - Right Angle Drive - 10 & 12 H.P.	E3	52a - 53
3-4	Steer Gear Assembly - All Models	E4	54 - 55
4-1	Instrument Panel & Related Parts - 10, 12, 14 H.P. (71/73)	E5	56 - 57
4-2	Instrument Panel & Related Parts - 10, 12, 14 H.P. (74/76) & 16 H.P. (72/76)	E6	58 - 59
4-3	Instrument Panel & Related Parts - All Models (1977/—)	E7	60 - 61
4-4	Battery, Starter & Steering Support - 20 H.P.	E8	62 - 63
5-1	Body & Seat Assembly - 10, 12, 14, 16 H.P. (72/76)	E9	64 - 65
5-2	Body & Seat Assembly - 10, 12, 14, 16 H.P. (1977/—)	E10	66 - 67
5-3	Body, Seat & Lights - 20 H.P.	E11	68 - 69
5-4	Hood, Cowling & Headlights (1972/76)	F2	70 - 71
5-5	Hood, Cowling & Headlights (1977/—)	F3, F4	72 - 73 - 74 - 75
6-1	Implement Lift - All Models (Prior 1977)	F5	76 - 77
6-2	Implement Lift, Hyd. (Prior 1977) & Kit JAC-59832	F6	78 - 79
6-3	Implement Lift - 12, 14, 16 H.P. (1977/—)	F7, F8	80 - 81 - 81a - 82
6-4	Position Control Link Kit - 12, 14, 16 H.P. (1977/—)	F9	83
6-5	Lift Linkage - 20 H.P.	F10	84 - 85
6-6	Hydro Control, Shift Lever & Lift Linkage - 20 H.P.	F11	86 - 87
7-1	Hydraulic Tubes, Hoses & Fittings - 20 H.P.	G2	88 - 89
7-2	Turning Assist Valve - 20 H.P.	G3	90
7-3	Lift & Power Steering Cylinders - 20 H.P.	G3	91

# LAWN & GARDEN TRACTORS

## GROUP INDEX

<u>GROUP NO.</u>	<u>DESCRIPTION</u>	<u>FICHE 203 IMAGE LOC.</u>	<u>PAGE NO.</u>
8-1	Wiring Diagram - 10 H.P. Model 3205 (1972)	G4	92
8-2	Wiring Diagram - 10 & 12 H.P. (1973/76)	G4	93
8-3	Wiring Diagram - 20 H.P.	G5	94 - 95
8-4	Wiring Diagram - 10, 12, 14, 16 H.P. (1977/—)	G6	96
8-5	Wiring Diagram - 14, & 16 H.P. (Prior 1977/—)	G6	97
9-1	Accessory - 3 Point Hitch JAC-59800	G7, G8	98 - 99 - 99a - 100
9-2	Accessory - Sleeve Hitch JAC-59801	G9	101
9-3	Accessories - Light Kit, Bumper, Lighter & Weights	G10	102
9-3A	Accessories - Light Kit, & Weights	G10	102A
9-4	Accessory - Electric Lift & Hour Meter JAC-59803	G11	102b - 103
9-5	Front Hydraulic Kit JAC-59857	H2	104 - 105
9-6	Hydraulic Kit - Trip Blade Dozer JAC-59855	H3	106
9-7	Lift Valve Assembly 2 Spool - 20 H.P.	H3	107
9-8	Accessory - 3 Point Hitch JAC-59900	H4	108 - 109
9-9	Front Hyd. Tubes, Couplings & Related Parts	H5	110
	Numerical Index	H5	111 To 118

<u>MODEL NO.</u>	<u>DESCRIPTION</u>
3205	1972/76
3206	1977/—
3207	1977/—
3220	1972/76
3221	1977/—
3222	1977/—
3280	1972/76
3281	1977/—
3282	1978/—
3310	1972/76
3311	1977/—
3312	1977/—
3335	1972/76
3336	1977/—
3337	1977/—
3525	1977/4-80
3526	1977/4-80
3527	1977/4-80

### OPTIONAL

JAC-501253	42 Amp Battery Installation Kit (Does not include Battery — Motorcraft Battery No. 10HN — Group 22NF — 44 Amp required) Consists of Hold-down Clamp & Rod and 2 Battery Cables. (Not serviced separately.)
JAC-59832	KIT — Hydraulic Lift for Model 3280 — 12 H.P. Hydrogear 1972/76
JAC-59872	KIT — Hydraulic Lift for Model 3281 — 12 H.P. Hydrogear 1977/—
ORI-7550 HTL	CAB — 12, 14, 16 H.P. 1977/—
ORI-7740 HTL	CAB — 20 H.P. 78/
DGPN — 10657-A	BATTERY — 42 Amp Optional for 10 H.P. thru 14 H.P. (Std. 16 & 20 H.P.)
PCC-10634-103	CHAINS — Tire 26x12x12 (4 Link) 20 H.P.
PCC-10698-959	CHAINS — Tire 29x12x15 (4 Link) 20 H.P.
251154	DECAL KIT, Quebec 195 Tractor

# LAWN & GARDEN TRACTORS

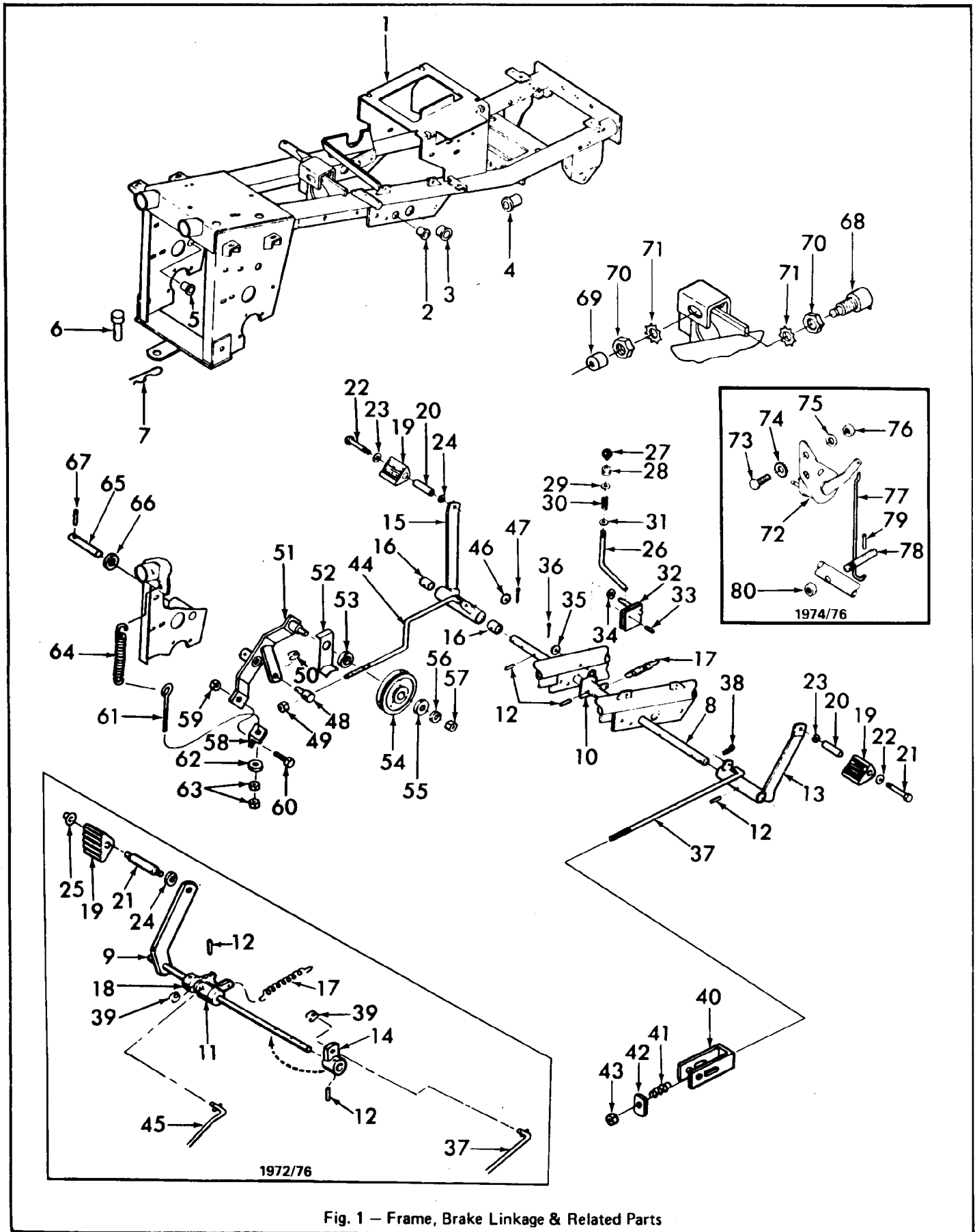


Fig. 1 - Frame, Brake Linkage & Related Parts

# LAWN & GARDEN TRACTORS

FIG.	PART NO.	NAME AND DESCRIPTION	QTY. REQ.	
			3205 3220	3206 3221
1		<u>GROUP 1-1 FRAME, BRAKE LINKAGE &amp; RELATED PARTS</u> <u>MODELS 3205, 3206, 3220, 3221</u>		
1	JAC-502374	FRAME ASSY. (Pan & Gasket refer to Engine Catalog)	1	-
1	JAC-116441	FRAME ASSY.	-	1
2	JAC-346133	BUSHING, Brake Shaft	2	2
3	JAC-351508	BUSHING, Lift Shaft Pivot	2	2
4	JAC-351798	BUSHING, Front Axle Pivot	2	2
-		PLUG, Engine Oil Drain (Not Serviced)	1	-
5	JAC-311441	BUSHING	2	2
6		PIN, 1/2 x 1-5/16 Clevis (Not Serviced)	1	1
7	141661	PIN, Hair	1	1
8	JAC-336561	SHAFT, Clutch-Brake Pivot	-	1
9	JAC-129804	SHAFT & BRAKE ARM ASSY.	1	-
10	JAC-161863	SECTOR ASSY., Brake Lock	-	1
11	JAC-159130	SECTOR ASSY., Brake Lock	1	-
12	353647-S	PIN, 1/4 x 1-1/4 Roll	2	3
13	JAC-130631	LEVER ASSY., Brake	-	1
14	JAC-159136	BRAKE ARM & HUB ASSY.	1	-
15	JAC-130629	CLUTCH LEVER & BUSHING ASSY.	-	1
16	JAC-304684	BUSHING, Clutch Lever	-	2
17	JAC-345272	SPRING	1	1
18	JAC-343120	COLLAR	1	-
-		SCREW, 1/4 - 20 x 1/2 Set	1	-
19	JAC-345020	PAD	2	2
20	JAC-352514	SPACER, Pedal	-	2
20	JAC-352513	SPACER, Pedal	2	-
21	JAC-351755	PIN, Pedal Mounting	2	-
22		BOLT, 7/16 - 20 x 3 Hex Hd.	-	2
22		BOLT, 7/16 - 20 x 4-1/2 Hex Hd.	2	-
23		WASHER, 7/16 Flat	-	2
24		WASHER, 7/16 Lock	2	2
25	JAC-343256	NUT, Push On	2	-
26	JAC-359045	ROD, Brake Lock Activator	-	1
26	JAC-352098	ROD, Brake Lock Activator	1	-
27	JAC-315209	KNOB, Parking Brake	1	1
28	JAC-352011	GROMMET	1	1
29		WASHER, 5/16 Flat	1	1
30	JAC-315344	SPRING	1	1
31	JAC-308144	WASHER, Release Spring Mounting	1	1
32	JAC-158863	BRAKE LOCK ASSY.	1	1
33		PIN, 1/8 x 5/8 Roll	1	1
34	JAC-454012	WASHER, 3/8 Shakeproof	1	1
35		WASHER, 3/8 Flat	1	1
36		PIN, 1/8 x 3/4 Cotter	1	1
37	JAC-352494	ROD, Brake Actuator	1	1
38	149498	PIN, Hair	-	1
39	JAC-304556	SPRING, Rod - Attach Rods	2	-

# LAWN & GARDEN TRACTORS

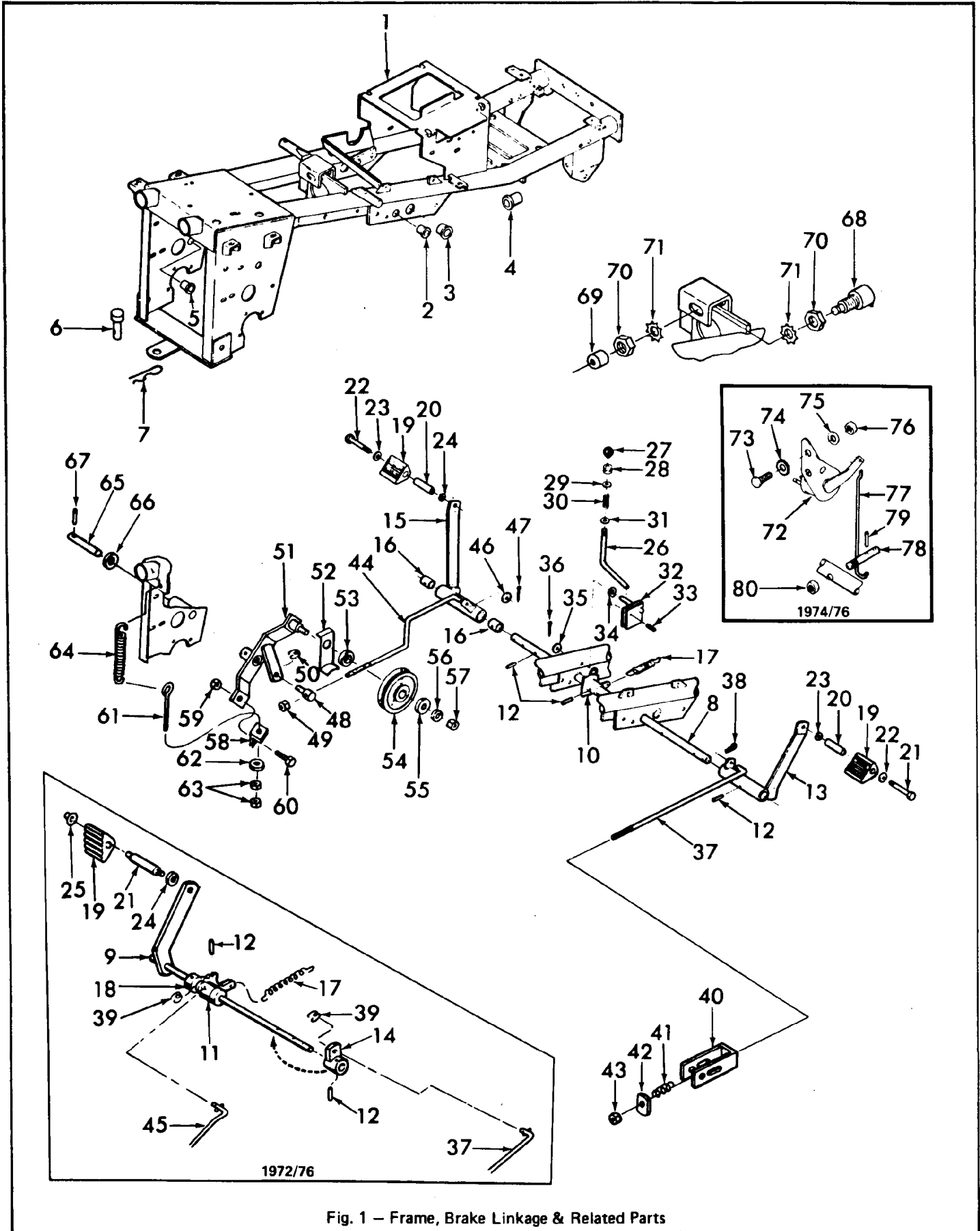


Fig. 1 - Frame, Brake Linkage & Related Parts

# LAWN & GARDEN TRACTORS

FIG.	PART NO.	NAME AND DESCRIPTION	QTY. REQ.	
			3205 3220	3206 3221
1		<u>GROUP 1--1 FRAME, BRAKE LINKAGE &amp; RELATED PARTS</u> <u>MODELS 3205, 3206, 3220, 3221 (CONT'D.)</u>		
40	JAC-159299	BRACKET, Brake Slide	1	1
41		SPRING, Brake Actuator Rod	1	1
42	JAC-445309	NUT, Adjusting	1	1
43	55711-S8	NUT, 5/16 - 18 Hex Lock	1	1
44	JAC-336559	ROD, Clutch Actuator	-	1
45	JAC-351939	ROD, Clutch Actuator	1	-
46		WASHER, 5/16 Flat	-	1
47		PIN, 1/8 x 1 Cotter	-	1
48	JAC-351941	TRUNNION, Clutch Idler Rod	1	1
49		NUT, 5/16 - 18 Hex	2	2
50	JAC-341655	SPRING, Trunnion Mounting	1	1
51	JAC-129673	ARM, Idler	1	1
-		SCREW, 1/4 - 20 x 1/2 Set	1	1
52	JAC-352096	GUIDE, Belt (Drive)	1	1
53	JAC-351818	SPACER, Idler Shaft	1	1
54	JAC-154796	PULLEY, Idler	1	1
55		WASHER, 1/2 Flat	1	1
56		WASHER, 1/2 Lock	1	1
57		NUT, 1/2 - 13 Hex	1	1
58	JAC-352349	BRACKET, Idler Mtg. Spring	1	1
59	55711-S8	NUT, 5/16 - 18 Hex Lock	1	1
60		BOLT, 5/16 - 18 x 3/4 Hex Hd.	1	1
61	JAC-351938	BOLT, Eye	1	1
62		WASHER, 1/4 Flat	1	1
63		NUT, 1/4 - 20 Hex	2	2
64	JAC-351940	SPRING, Clutch Idler	1	1
65	JAC-351942	SHAFT, Idler Arm Pivot	1	1
66		WASHER, Clutch Shaft Retainer (Procure Locally)	1	1
67	357479-S8	PIN, 3/16 x 1 Roll	1	1
68	JAC-126339	SWITCH, Safety Start (1972/73) & (1977/-)	1	1
69	JAC-343785	GROMMET, Safety Switch	1	1
70	JAC-343784	NUT, Switch Mounting	2	2
71		WASHER, 5/8 Ext. Tooth	2	2
72	JAC-159431	SWITCH, Safety Starter (1974/76)	1	-
73		BOLT, 1/4 - 20 x 3/4 Carr	2	-
74		WASHER, 3/8 Ext. Tooth	2	-
75		WASHER, 1/4 Lock	2	-
76		NUT, 1/4 - 20 Hex	2	-
77	JAC-352887	LINK, Safety Switch Actuating (1974)	1	-
78	JAC-352886	STUD	1	-
79		PIN, 3/16 x 1-1/4 Roll	4	-
80		NUT, 5/16 Lock	1	-

# LAWN & GARDEN TRACTORS

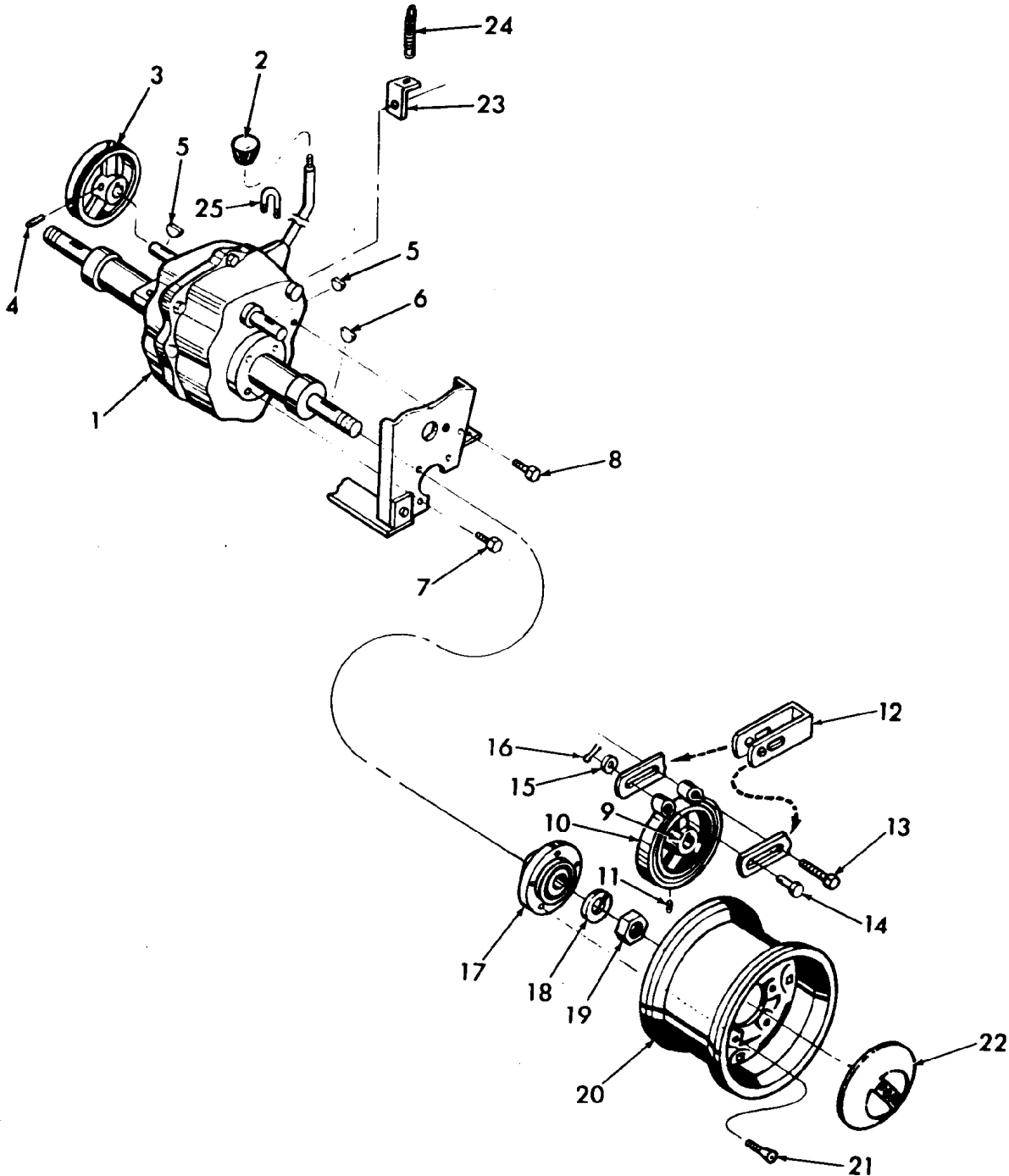


Fig. 2 - Transaxle, Brake Drum & Rear Rim



# LAWN & GARDEN TRACTORS

FIG.	PART NO.	NAME AND DESCRIPTION	QTY. REQ.
2		<u>GROUP 1-2 TRANSAXLE, BRAKE DRUM &amp; REAR RIM</u> <u>MODELS 3205, 3206, 3220, 3221</u>	
1	TEC-794100	TRANSAXLE ASSY., (See Group 1-3 for Components)	1
2	JAC-342582	KNOB, Gear Shift	1
3	JAC-218068	PULLEY, Transmission Input	1
4		SCREW, 5/16 - 18 x 1/2 Sq. Hd. Set	1
5	74178-S	KEY, Woodruff	2
6	74186-S	KEY, Woodruff	1
7		BOLT, 3/8 - 16 x 1-1/4 Hex Hd.	3
8		BOLT, 3/8 - 16 x 3/4 Hex Hd.	1
9	JAC-218069	DRUM, Brake	1
10	JAC-129783	LINING, Band & Brake	1
11		SCREW, 5/16 - 18 x 3/8 Set	1
12	JAC-159299	BRACKET, Brake Slide	1
13		BOLT, 1/2 - 13 x 2-1/2 Hex Hd.	1
14	73966-S8	PIN, 1/2 x 1-1/2 Clevis	1
15	JAC-327924	WASHER, Lining Assy. to Slide Bracket	1
16		PIN, 1/8 x 1 Cotter	1
17	JAC-218067	HUB, Rear Wheel	2
18	34815-S36	WASHER, 1" Lock	2
19	34696-S8	NUT, 1-12 Hex. Jam	2
20	JAC-107940	RIM, Rear - Standard (3205, 3220)	2
20	JAC-343205	RIM, Rear - Wide Base (3205, 3220)	2
20	JAC-121924	RIM, Rear - Wide Base (3206, 3221)	2
21	JAC-315298	BOLT, 7/16 - 20 x 3/4 Rear Wheel Mounting	10
22	WSB-59608	CAP, Hub - Ornamental (Set of 4)	AR
23	JAC-358956	PLATE, Gearshift Lever Spring Mtg. (3206, 3221)	1
24	JAC-345272	SPRING, Clutch	1
25	JAC-359064	CLAMP, Shift Lever (3206, 3221)	1

# LAWN & GARDEN TRACTORS

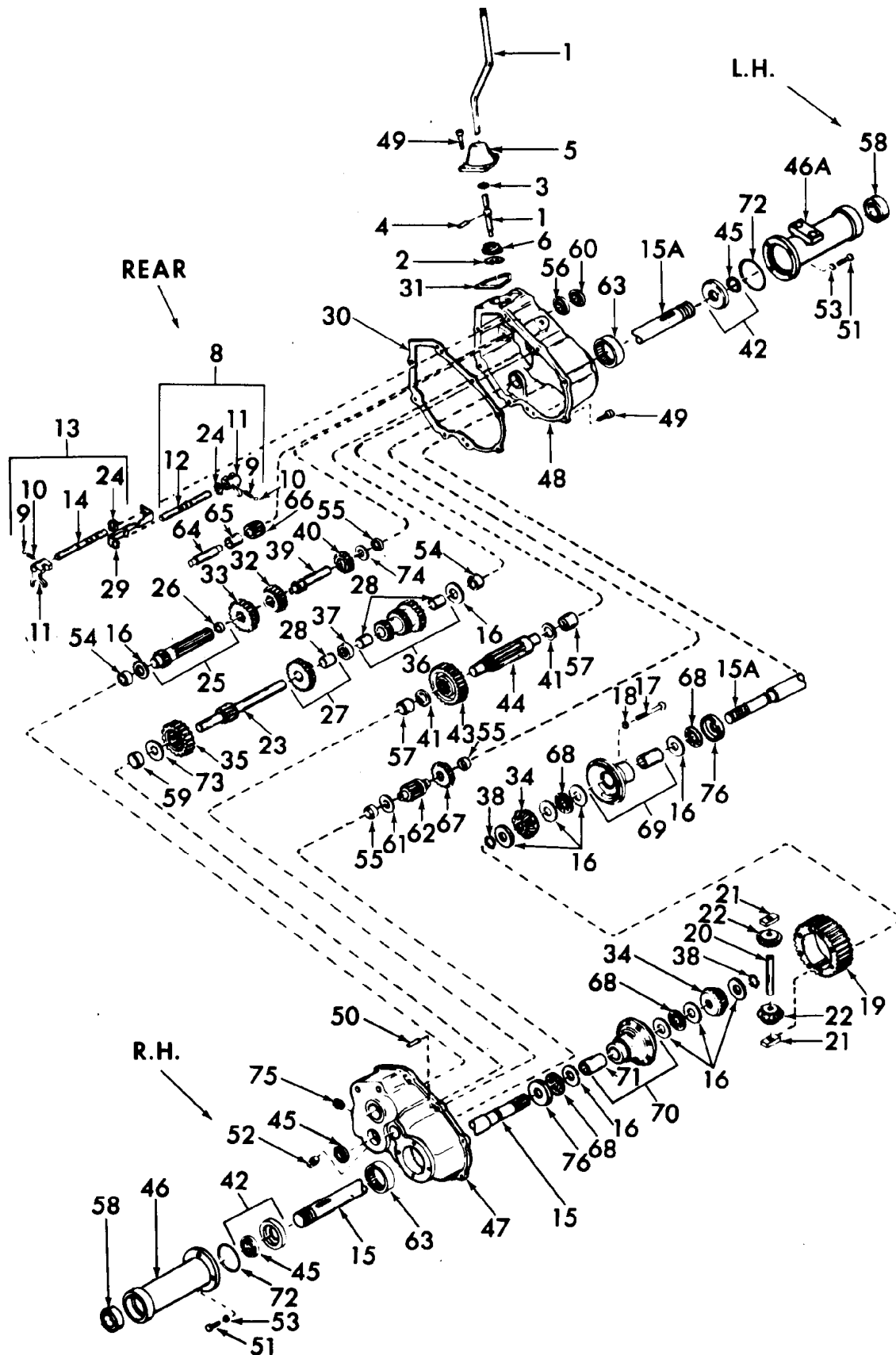


Fig. 3 - Transaxle Assy. - 10 & 12 H.P. Gear Type