



*E80* EVOLUTION

**WORKSHOP MANUAL  
ENGLISH**

Print N. 604.13.253

Edition: 04/2003  
English - Printed in Italy

Printed by Studio ti

[www.fiatkobelco.com](http://www.fiatkobelco.com)



EVOLVING TECHNOLOGY



## TO THE READER

- This manual has been written for a skilled technician, in order to give him the information necessary to repair this machine.

- **Read this manual carefully for correct information about repair procedures.**

- **For any question or comment, or in case you notice a mistake in this manual content, please contact:**

FIAT KOBELCO CONSTRUCTION  
MACHINERY S.p.A.  
Strada Settimo, 323  
San Mauro Torinese (TO)  
10099 ITALIA  
PRODUCT SUPPORT  
Fax. ++39 011 0077357

---

---

## ADDITIONAL REFERENCE MANUALS

- In addition to this Workshop Manual, refer also to the following:

- **Operation and maintenance instruction manual**
  - **Spare parts catalog**
- 
- 

## DESCRIPTION OF THE COMPLETE WORKSHOP MANUAL

- The complete repair manual consists of two volumes:

- ***E80 EVOLUTION* Workshop Manual "Excavator"**

- "Excavator" and "Engine" Workshop Manuals contain the technical information necessary for machine/engine service and repair, service

equipment, information on maintenance standards, remove and install procedures, disassembly and assembly procedures.

- The complete Workshop Manual for the excavator model *E80 EVOLUTION* consists of the following volumes identified by print number as shown herebelow:

| VOLUME                        | MACHINE TYPE | PRINT No.  |
|-------------------------------|--------------|------------|
| Workshop Manual - "Excavator" | <i>E80</i>   | 604.13.253 |

---

---

## **AVOID ACCIDENTS**

Most accidents, whether they occur in industry, on the farm, at home or on the highway, are caused by the failure of some individuals to follow simple and fundamental safety rules or precautions. For this reason **MOST ACCIDENTS CAN BE PREVENTED** by recognising the real cause and doing something about it before the accident occurs.

Regardless of the care used in the design and construction of any type of equipment there are conditions that cannot be completely safeguarded against without interfering with reasonable accessibility and efficient operation.

Carefully read indications, cautions and safety warning quoted in the "SAFETY RULES" section.

A careful operator is the best insurance against an accident.

The complete observance of one simple rule would prevent many thousand serious injuries each year.

That rule is:

**Never attempt to clean, oil or adjust a machine while it is in motion.**



### **ATTENTION**

**On machines having hydraulically, mechanically and/or cable controlled equipment (such as showels, loaders, dozers, scrapers etc.) be certain the equipment is lowered to the ground before servicing, adjusting and/or repairing.**

**If it is necessary to have the equipment partially or fully raised to gain access to certain items, be sure the equipment is suitably supported by means other than the hydraulic lift cylinders, cable and/or mechanical device used for controlling the equipment.**

---

**COPYRIGHT BY FIAT KOBELCO CONSTRUCTION MACHINERY S.p.A.**

**Product Support - Documentation Centre**

**Strada di Settimo, 323 - S. Mauro T.SE (TO) ITALY**

All rights reserved. Reproduction of text and illustrations in whole or in part, is strictly prohibited.

## **INDEX**

### **SPECIFICATIONS**

- Section 1 - Preliminary remarks**
- Section 2 - Specifications**
- Section 3 - Attachment dimensions**

### **MAINTENANCE**

- Section 11 - Tools**
- Section 12 - Standard maintenance time schedule**
- Section 13 - Maintenance standards and test procedures**

### **SYSTEM**

- Section 21 - Mechatro control system**
- Section 22 - Hydraulic system**
- Section 23 - Electrical system**
- Section 24 - Components system**
- Section 25 - Air-conditioner system**

### **DISASSEMBLING**

- Section 31 - Disassembling and assembling**
- Section 32 - Attachments**
- Section 33 - Upper swing body**
- Section 34 - Travel frame**

### **TROUBLESHOOTING**

- Section 41 - Mechatro control**
- Section 42 - Hydraulic system**
- Section 43 - Electrical system**
- Section 44 - Engine**

### **ENGINE**

- Section 51 - Engine**

**SAFETY PRECAUTIONS****WARNING**

*The proper and safe lubrication and maintenance for this machine, recommended by Distributor, are outlined in the OPERATOR'S MANUAL for the machine.*

*Improper performance of lubrication or maintenance procedures are dangerous and could result in injury or death. Read and understand the MANUAL before performing any lubrication or maintenance.*

The serviceman or mechanic may be unfamiliar with many of the systems on this machine. This makes it important to use caution when performing service work. A knowledge of the system and or components is important before the removal or disassembly of any component.

Because of the size of some of the machine components, the serviceman or mechanic should check the weights noted in this manual. Use proper lifting procedures when removing any components. Weight of components table is shown in the section; SPECIFICATIONS.

The following is a list of basic precautions that must always be observed.

1. Read and understand all Warning plates and decal on the machine before Operating, Maintaining or Repairing this machine.
2. Always wear protective glasses and protective shoes when working around machines. In particular, wear protective glasses when using hammers, punches or drifts on any part of the machine or attachments. Use welders gloves, hood/goggles, apron and the protective clothing appropriate to the welding job being performed. Do not wear loose fitting or torn clothing. Remove all rings from fingers, loose jewelry, confine long hair and loose clothing before working on this machinery.
3. Disconnect the battery and hang a "Do Not Operate" tag in the Operators Compartment. Remove ignition keys.
4. If possible, make all repairs with the machine parked on a level, hard surface. Block the machine so it does not roll while working on or under the machine. Hang a "Do Not Operate" tag in the Operators Compartment.
5. Do not work on any machine that is supported only by lift, jacks or a hoist. Always use blocks or jack stands, capable of supporting the machine, before performing any disassembly.

**WARNING**

*Do not operate this machine unless you have read and understand the instructions in the OPERATOR'S MANUAL. Improper machine operation is dangerous and could result in injury or death.*

6. Relieve all pressure in air, oil or water systems before any lines, fittings or related items are disconnected or removed. Always make sure all raised components are blocked correctly and be alert for possible pressure when disconnecting any device from a system that utilizes pressure.
7. Lower the bucket, dozer, or other attachments to the ground before performing any work on the machine. If this cannot be done, make sure the bucket, dozer, ripper or other attachment is blocked correctly to prevent it from dropping unexpectedly.
8. Use steps and grab handles when mounting or dismounting a machine. Clean any mud or debris from steps, walkways or work platforms before using. Always face to the machine when using steps, ladders and walkways. When it is not possible to use the designed access system, provide ladders, scaffolds, or work platforms to perform safe repair operations.
9. To avoid back injury, use a hoist when lifting components which weigh 20 kg (45 lbs) or more. Make sure all chains, hooks, slings, etc., are in good condition and are the correct capacity. Be sure hooks are positioned correctly. Lifting eyes are not to be side loaded during a lifting operation.
10. To avoid burns, be alert for hot parts on machines which have just been stopped and hot fluids in lines, tubes and compartments.
11. Be careful when removing cover plates. Gradually back off the last two capscrews or nuts located at opposite ends of the cover or device and carefully pry cover loose to relieve any spring or other pressure, before removing the last two capscrews or nuts completely.
12. Be careful when removing filler caps, breathers

## SAFETY PRECAUTIONS

---

- and plugs on the machine. Hold a rag over the cap or plug to prevent being sprayed or splashed by liquids under pressure. The danger is even greater if the machine has just been stopped because fluids can be hot.
13. Always use the proper tools that are in good condition and that are suited for the job at hand. Be sure you understand how to use them before performing any service work.
  14. Reinstall all fasteners with the same part number. Do not use a lesser quality fastener if replacements are necessary.
  15. Repairs which require welding should be performed only with the benefit of the appropriate reference information and by personnel adequately trained and knowledgeable in welding procedures. Determine type of metal being welded and select correct welding procedure and electrodes, rods or wire to provide a weld metal strength equivalent at least to that of the parent metal. Make sure to disconnect battery before any welding procedures are attempted.
  16. Do not damage wiring during removal operations. Reinstall the wiring so it is not damaged nor will be damaged in operation of the machine by contacting sharp corners, or by rubbing against some object or hot surface. Do not connect wiring to a line containing fluid.
  17. Be sure all protective devices including guards and shields are properly installed and functioning correctly before starting a repair. If a guard or shield must be removed to perform the repair work, use extra caution and replace the guard or shield after repair is completed.
  18. The maintenance and repair work while holding the bucket raised is dangerous due to the possibility of a falling attachment. Don't fail to lower the attachment and place the bucket to the ground before starting the work.
  19. Loose or damaged fuel, lubricant and hydraulic lines, tubes and hoses can cause fires. Do not bend or strike high pressure lines or install ones which have been bent or damaged. Inspect lines, tubes and hoses carefully. Do not check for leaks with your hands. Very small (pinhole) leaks can result in a high velocity oil stream that will be invisible close to the hose. This oil can penetrate the skin and cause personal injury. Use cardboard or paper to locate pinhole leaks.
  20. Tighten connections to the correct torque. Make sure that all heat shields, clamps and guards are installed correctly to avoid excessive heat, vibration or rubbing against other parts during operation. Shields that protect against oil spray onto hot exhaust components in event of a line, tube or seal failure must be installed correctly.
  21. Do not operate a machine if any rotating part is damaged or contacts any other part during operation. Any high speed rotating component that has been damaged or altered should be checked for balance before reusing.
  22. Be careful when servicing or separating the tracks (crawlers). Chips can fly when removing or installing a track (crawlers) pin. Wear safety glasses and long sleeve protective clothing. Tracks (crawlers) can unroll very quickly when separated. Keep away from front and rear of machine. The machine can move unexpectedly when both tracks (crawlers) are disengaged from the sprockets. Block the machine to prevent it from moving.

**NOTE**



# **E80** *EVOLUTION*

## **SECTION 1**

## **OUTLINE**

### TABLE OF CONTENTS

|   |   |
|---|---|
| 1. GENERAL PRECAUTIONS FOR MAKING REPAIRS ..... | 1 |
| 2. INTERNATIONAL UNIT CONVERSION SYSTEM .....   | 4 |



# 1. GENERAL PRECAUTIONS FOR MAKING REPAIRS



## 1.1 PREPARATION BEFORE DISASSEMBLING

- (1) Knowledge of operating procedure  
Read Operator's Manual carefully to understand the operating procedure.
- (2) Cleaning machines  
Clean machines of soil, mud, and dust before carrying into the repair shop.  
Carrying a soiled machine into the repair shop, causes making less efficient work and damage of parts, and interferes with rust prevention and dust protection while reassembling.
- (3) Inspecting machines  
Confirm the disassembling section before starting work, determine the disassembly procedure taking the conditions in repair shop into account, and request to procure necessary parts in advance.
- (4) Recording  
Record the following items to keep contact and prevent malfunction from recurring.
  - 1) Inspecting date, place
  - 2) Model name, Applicable machine No., Records on hour meter
  - 3) Trouble condition, place, cause
  - 4) Visible oil leakage, water leakage and damage
  - 5) Clogging of filters, etc., oil level, oil quality, oil contamination and looseness which can be inspected.
  - 6) Examine the problems on the basis of operation rate with the last inspection date and records on hour meter.
- (5) Arrangement and cleaning in repair shop
  - 1) Tools required for repair work.
  - 2) Specify places to put the disassembled parts on in advance.
  - 3) Prepare oil pans for leaking oil, etc.



## 1.2 SAFETY WHEN DISASSEMBLING AND ASSEMBLING

- (1) Safety
  - 1) Wear appropriate clothing, safety shoes, safety helmet, goggles, and clothes with long sleeves.
  - 2) Suspend warning tag "Don't operate" from lever, and begin preliminaries before getting down to work.
  - 3) Before starting inspection and maintenance which contain the danger of being caught in machine, stop the engine.

- 4) Confirm the position of first-aid box and fire extinguisher, and also where to make contact for emergency measure and ambulance to prepare for accidents and fire.
- 5) Choose a hard, flat and safe place, and put attachment on the ground without fail.
- 6) Use crane, etc. to remove parts of heavy weight (20kg [44 lbs] or more).
- 7) Use proper tools, and change or repair defective tools.
- 8) Machine and attachment required to work in the lifting condition should be supported with supports or blocks securely.



## 1.3 DISASSEMBLING AND ASSEMBLING HYDRAULIC EQUIPMENT

- (1) Removing hydraulic equipment assy
  - 1) Before removing pipes, release the pressure of hydraulic oil tank, or open the cover on the return side to tank, and take out the filter.
  - 2) Put the oil in the removed pipes in reservoir taking care it is not spilled on the ground.
  - 3) Pipes with plugs or caps to prevent oil leaking, entry of dust, etc.
  - 4) Clean the outside surface of equipment, etc. before disassembling, and drain hydraulic oil and gear oil before putting them on working bench.
- (2) Disassembling hydraulic equipment
  - 1) Since performance and function of hydraulic equipment after disassembly and assembly results in immunity from responsibility on the manufacture's side, disassembly, assembly and conversion without permission are strictly prohibited.
  - 2) If it is unavoidably necessary to disassemble and convert, it should be carried out by experts or personnel authorized through service training.
  - 3) Make match mark on parts for reassembling.
  - 4) Before disassembling, read Disassembling Instruction supplied with equipment in advance, and determine if the disassembly and assembly are permitted or not.
  - 5) For parts which are required to use jig and tools, don't fail to use the specified jig and tools.
  - 6) For parts which can not be removed in the specified produre, never force removal. First check for the cause.

- 7) The removed parts should be put in order and tagged so as to install on proper places without confusion.
  - 8) For common parts, pay attention to the quantity and places.
- (3) Inspecting parts
- 1) Check that the disassembled parts are free from adherence, interference and non-uniform working face.
  - 2) Measure the wear of parts and clearance, and record the measured values.
  - 3) If an abnormality is detected, repair or replace the parts.
- (4) Reassembling hydraulic equipment
- 1) Before cleaning, turn the fan on or open doors to ventilate air.
  - 2) Before assembly, clean parts roughly first, and then completely.
  - 3) Remove with oil by compressed air, and apply hydraulic oil or gear oil, and then assemble them.
  - 4) Replace the removed O ring, back-up rings and oil seal with new ones, and apply grease oil on them before assembling.
  - 5) Removes stain and water on the surface on which liquid sealant are applied, decrease them, and apply liquid sealant on them.
  - 6) Before assembling, remove rust preventives on new parts.
  - 7) Use special tools to fit bearings, bushing and oil seal.
  - 8) Assemble parts matching to the marks.
  - 9) After completion, check that there is no omission of parts.

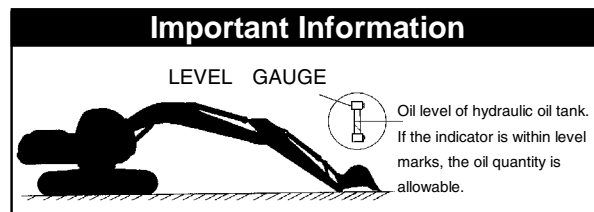
- (5) Installing hydraulic equipment
- 1) Confirm hydraulic oil and lubrication oil.
  - 2) Air release is required in the following cases ;
    - a. Change of hydraulic oil
    - b. Replacement of parts on suction pipe side
    - c. Removing and attaching hydraulic pump
    - d. Removing and attaching swing motor
    - e. Removing and attaching travel motor
    - f. Removing and attaching hydraulic cylinder

**⚠** If hydraulic oil and lubricating oil are not filled and also air bleed is not performed, the hydraulic equipment may be damaged.

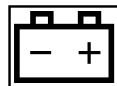
- 3) For air bleed of hydraulic pump and swing motor, loosen drain plug on the upper part, start engine, and run in low idling, then bleed air until hydraulic oil is oozed out. After completion of air bleed, tighten plug securely.
- 4) For air bleed of travel motor and hydraulic cylinder, starts engine and operate it for 10 minutes or more at no-load and low speed.

**⚠** For cylinder, don't move it to the stroke end at beginning.

- 5) Air in pilot circuit can be bled out by only operating digging, swing and traveling motions thoroughly.
- 6) Check hydraulic oil level.  
Move attachments to hydraulic oil check position, and check hydraulic oil level of tank. Refill oil if the oil level is lower than the minimum level.



How to check oil level of hydraulic oil tank



#### 1.4 ELECTRICAL EQUIPMENT

- (1) The disassembly of electrical equipment is not allowed.
- (2) Handle equipment with care so as not to drop it or bump it.
- (3) Connector should be removed by unlocking while holding the connector.  
Never stress in tension to the caulked section by pulling wire.
- (4) Check that connector is connected and locked completely.
- (5) Switch starter key off before removing and connecting connector
- (6) Switch starter key off before touching terminals of starter and alternator.
- (7) Remove battery grounding terminal before beginning work close to battery and battery relay with tools.
- (8) Wash machine with care so as not to splash water on electrical equipment and connector.

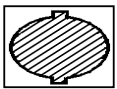
- (9) When water has entered in the waterproofed connector, the removing of water is not easy. So check the removed waterproofed connector with care to protect it from entry of water. If moisture adheres on it, dry it completely before connecting.



Battery electrolyte is dangerous.

The battery electrolyte is dilute sulfuric acid, and causes scald and loss of eyesight by adhering on eyes, skin and clothes. When the electrolyte has adhered on them, take an emergency measure immediately and see a doctor for medical advice.

- When it has adhered on skin ;  
Wash with soap and water.
- When it has got in eyes ;  
Wash in water for 10 minutes or more immediately.
- When it has spilled out in large quantity ;  
Use sodium bicarbonate to neutralize, or wash away with water.
- When it was swallowed ;  
Drink milk or water.
- When it has adhered on clothes ;  
Wash it immediately.



## 1.5 HYDRAULIC PARTS

### 1) O ring

- Check that O ring is free from flaw and has elasticity before fitting.
- Even if the size of O ring is equal, the usage differs, for example in dynamic and static sections, the rubber hardness also differs according to the pressure force, and also the quality differs depending on the materials to be seated. So, choose proper O ring.
- Fit O ring so as to be free from distortion and bend.
- Floating seal should be put in pairs.

### 2) Flexible hose (F hose)

- Even if the connector and length of hose are the same, the parts differ according to the withstanding pressure. Use proper parts.

- Tighten it to the specified torque, and check that it is free from distortion, over tension, interference, and oil leakage.

## 1.6 WELD REPAIR

- (1) The weld repair should be carried out by authorized personnel in the specified procedure after disconnecting the grounding cable of battery. If the grounding cable is not disconnected, the electrical equipment may be damaged.
- (2) Remove parts which may cause flame due to the entry of spark beforehand.
- (3) Repair attachments which are damaged, giving particular attention to the plated section of piston rod to protect it from sparks, and don't fail to cover the section with fire clothes.

## 1.7 ENVIRONMENTAL ISSUES

- (1) Engine should be started and operated in the place where air can be sufficiently ventilated.
- (2) Industrial waste disposal  
The following parts follows the regulation.  
Waste oil, waste container  
Battery
- (3) Asbestos parts  
Breathing dust that may be generated when handling components containing asbestos fibres raises danger of getting lung cancer. Don't raise dust by compressed air and breath it..  
Parts to be handled with care:  
Brake parts, gasket, etc.
- (4) Precautions for handling hydraulic oil  
Hydraulic oil may cause inflammation of eyes.  
Wear goggles to protect eyes on handling it.
  - When it has got in eyes ;  
Wash eyes with water until the stimulus is gone.
  - When it was swallowed ;  
Immediately see a doctor for medical advice.
  - When it has adhered on skin ;  
Wash with soap and water.
- (5) Others  
For spare parts, grease and oil, use Distributor genuine ones.

## 2. INTERNATIONAL UNIT CONVERSION SYSTEM

### Introduction

Although this manual uses the JIS unit system. If you need SI unit, refer to following international system of units.

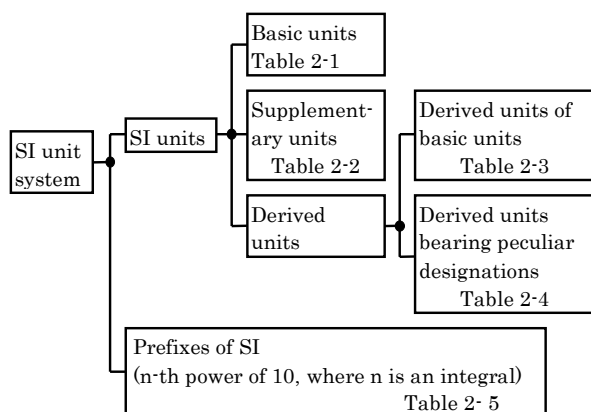
Given hereinunder are an excerpt of the units that are related to this manual :

#### 1. Etymology of SI Units

French : Le Système International d' Unitès

English: International System of Units

#### 2. Construction of SI Unit System



#### (1) Basic Units

Table 2-1

| QUANTITIES                | DESIGNATION | SIGN |
|---------------------------|-------------|------|
| Length                    | Meter       | m    |
| Mass                      | Kilogram    | kg   |
| Time                      | Second      | s    |
| Current                   | Ampere      | A    |
| Thermodynamic temperature | Kelvin      | K    |
| Gram molecule             | Mol         | mol  |
| Luminous intensity        | Candela     | cd   |

#### (2) Supplementary Units

Table 2-2

| QUANTITIES  | DESIGNATION | SIGN |
|-------------|-------------|------|
| Plane angle | Radian      | rad  |
| Solid angle | Steradian   | sr   |

#### (3) Derived Units of Basic Units

Table 2-3

| QUANTITIES   | DESIGNATION               | SIGN              |
|--------------|---------------------------|-------------------|
| Area         | Square meter              | m <sup>2</sup>    |
| Volume       | Cubic meter               | m <sup>3</sup>    |
| Velocity     | Meter per second          | m/s               |
| Acceleration | Meter per second / second | m/s <sup>2</sup>  |
| Density      | Kilogram per cubic meter  | kg/m <sup>3</sup> |

#### (4) Derived Units bearing Peculiar Designations

Table 2-4

| QUANTITIES                                    | DESIGNATION              | SIGN | DERIVED UNIT             |
|---|--------------------------|------|--------------------------|
| Frequency                                     | Hertz                    | Hz   | 1Hz=1s <sup>-1</sup>     |
| Force   | Newton                   | N    | 1N=1kgf·m/s <sup>2</sup> |
| Pressure, Stress                              | Pascal                   | Pa   | 1Pa=1N/m <sup>2</sup>    |
| Energy<br>Work,<br>Quantity of heat           | Joule                    | J    | 1J=1N·m                  |
| Power<br>Motive power,<br>Electric power      | Watt                     | W    | 1W=1J/s                  |
| Charge,<br>Quantity of electricity            | Coulomb                  | C    | 1C=1A·s                  |
| Potential<br>Voltage,<br>Electromotive force  | Volt                     | V    | 1V=1J/C<br>(1W/A)        |
| Quantity of static electricity<br>Capacitance | Farad                    | F    | 1F=1C/V                  |
| Electric resistance                           | Ohm                      | Ω    | 1Ω=1V/A                  |
| Celsius temperature                           | Celsius degree or degree | °C   |                          |
| Illuminance                                   | lux                      | lx   | 1lx=1lm/m <sup>2</sup>   |

#### (5) Prefixes of SI

Table 2-5

| PREFIX      |      | POWER             |
|-------------|------|-------------------|
| DESIGNATION | SIGN |                   |
| Giga-       | G    | 10 <sup>9</sup>   |
| Mega-       | M    | 10 <sup>6</sup>   |
| Kilo-       | k    | 10 <sup>3</sup>   |
| Hecto-      | h    | 10 <sup>2</sup>   |
| Deca-       | da   | 10                |
| Deci-       | d    | 10 <sup>-1</sup>  |
| Centi-      | c    | 10 <sup>-2</sup>  |
| Milli-      | m    | 10 <sup>-3</sup>  |
| Micro-      | μ    | 10 <sup>-6</sup>  |
| Nano-       | n    | 10 <sup>-9</sup>  |
| Pico-       | p    | 10 <sup>-12</sup> |

#### (6) Unit Conversion Table

Table 2-6

| QUANTITIES   | JIS                 | SI                | REMARKS                        |
|--------------|---------------------|-------------------|--------------------------------|
| Mass         | kg                  | kg                |                                |
| Force        | kgf                 | N                 | 1kgf=9.807N                    |
| Torque       | kgf·m               | N·m               | kgf·m=9.807N·m                 |
| Pressure     | kgf/cm <sup>2</sup> | MPa               | 1kgf/cm <sup>2</sup> =0.098MPa |
| Motive power | PS                  | kW                | 1PS=0.7355kW                   |
| Revolution   | rpm                 | min <sup>-1</sup> | r/min ※1                       |

※1 Units that are allowed to use

# **E80** *EVOLUTION*

## **SECTION 2**

## **SPECIFICATIONS**

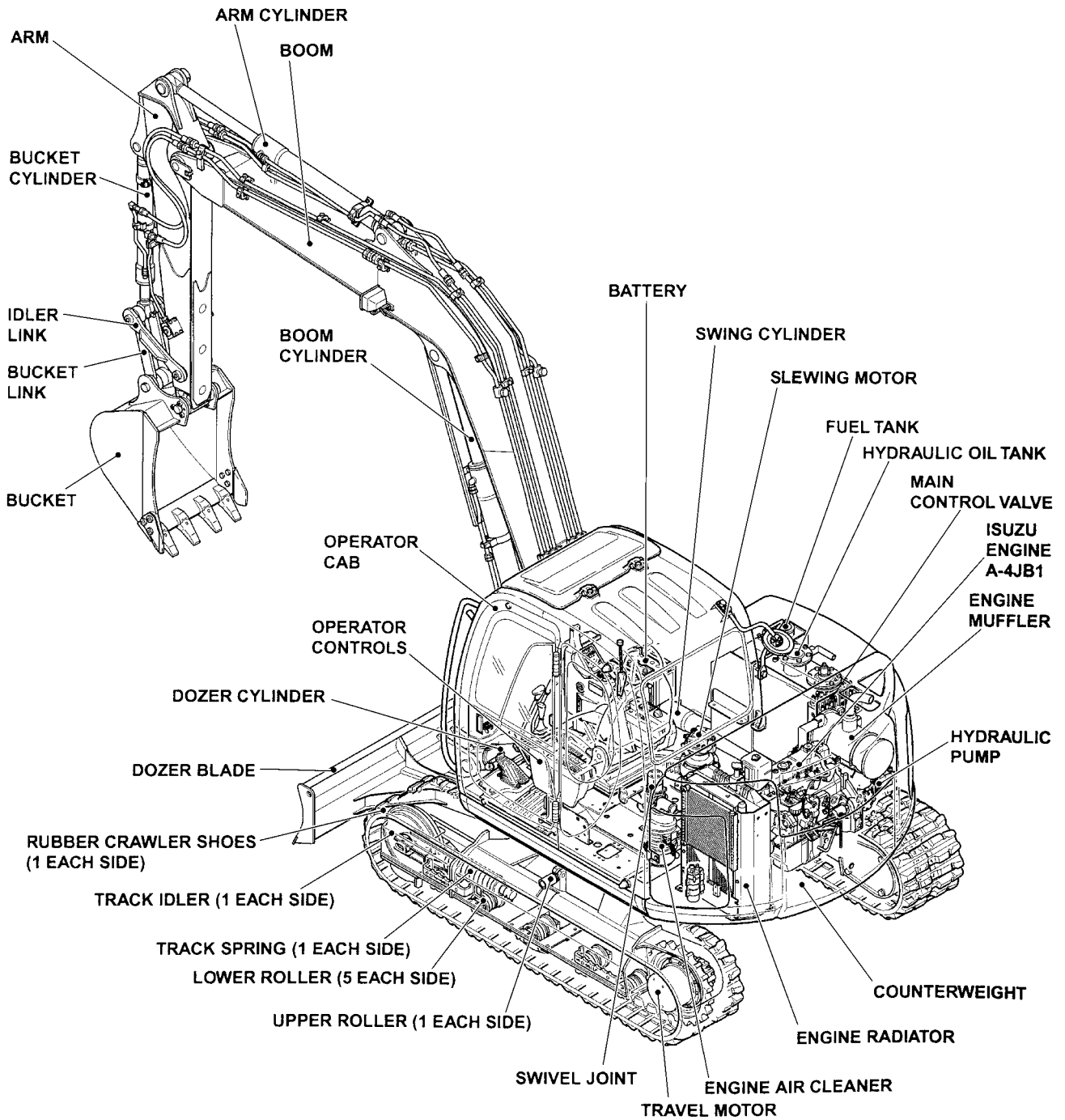
### TABLE OF CONTENTS

|  |    |
|--|----|
| 1. NAME OF COMPONENTS .....                  | 1  |
| 2. GENERAL DIMENSIONS .....                  | 2  |
| 3. WEIGHT OF COMPONENTS .....                | 3  |
| 4. TRANSPORTATION DIMENSION AND WEIGHT ..... | 4  |
| 5. LIFTING DIAGRAM .....                     | 6  |
| 6. SPECIFICATIONS AND PERFORMANCE .....      | 9  |
| 7. CRAWLER .....                             | 10 |
| 8. BUCKET .....                              | 10 |
| 9. COMBINATIONS OF ATTACHMENT .....          | 11 |
| 10. ENGINE SPECIFICATIONS .....              | 12 |





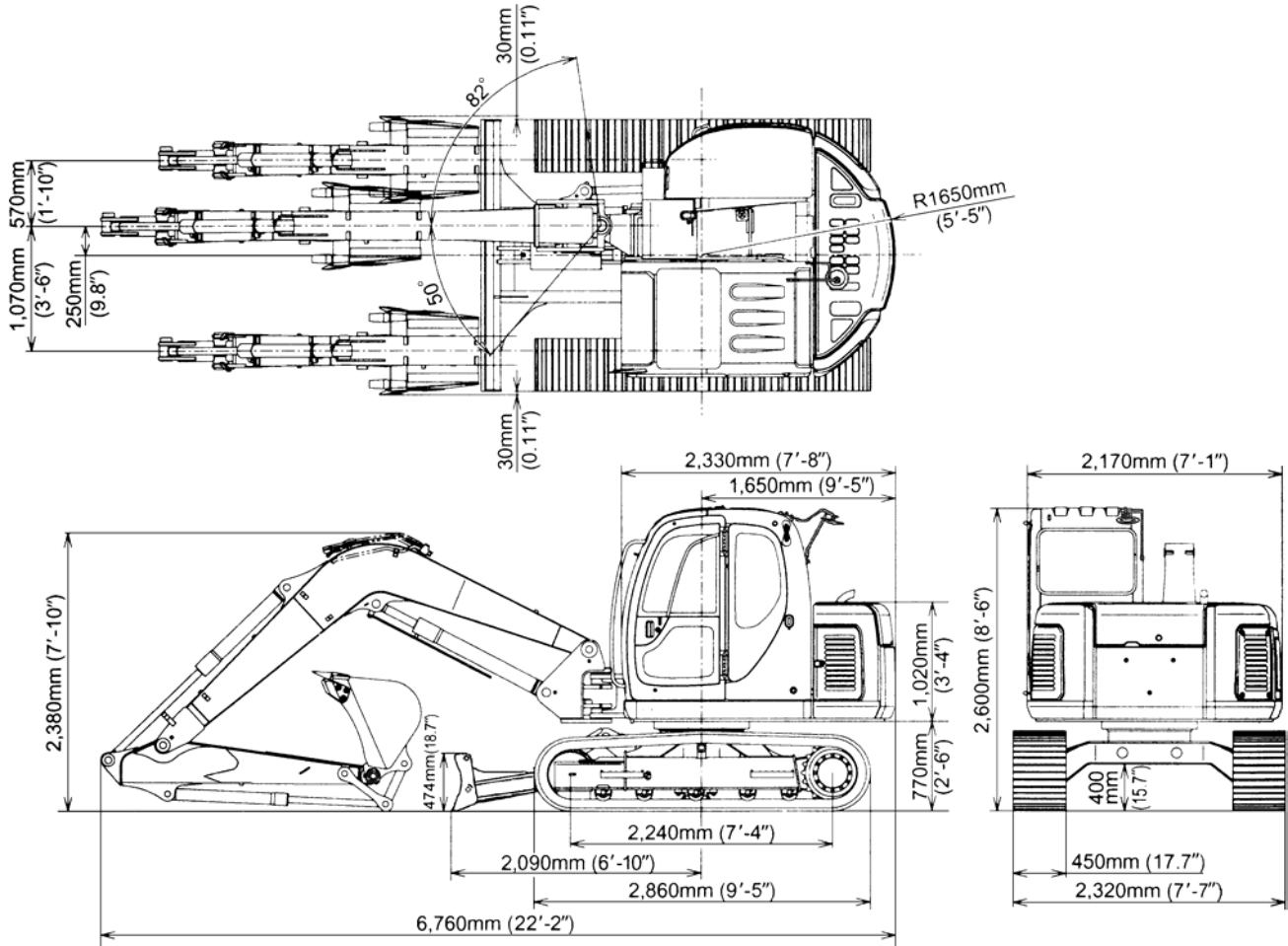
# 1. NAME OF COMPONENTS



## 2. GENERAL DIMENSIONS

2.1 3.72m (12ft-2in) Boom\_1.8m (5ft-11in) Arm\_0.28m<sup>3</sup> (0.37cu-yd) Bucket

Unit : mm (ft-in)



### 3.\_WEIGHT OF COMPONENTS

Unit : kg (lb)

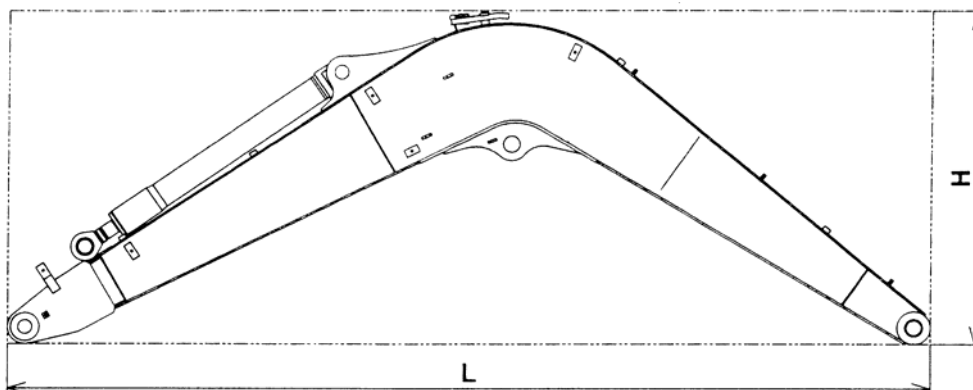
|   |                |
|---|----------------|
| Machine complete  | E80            |
| _3.72m (12ft-12in) Boom_1.80m (5ft-11in) Arm_0.28m <sup>3</sup> (0.37cu-yd) Bucket_ | 8,040 (17,720) |
| 1. Upper frame assy (including the following :)                                     | 3,930 (8,660)  |
| 1.1 Counterweight   | 820 (1,810)    |
| 1.2 Cab   | 188 (410)      |
| 1.3 Engine  | _ 250 (550)    |
| 1.4 Hydraulic oil tank  | _ 66 (145)     |
| 1.5 Fuel tank   | _ 59 (130)     |
| 1.6 Slewing motor (including reduction unit)  | 67 (148)       |
| 1.7 Control valve   | 63 (140)       |
| 1.8 Boom cylinder   | _ 94 (205)     |
| 1.9 Pin (2 pcs. for mounting boom)  | 14 (31)        |
| 1.10 Pump   | 44 (97)        |
| 1.11 Radiator & Oil cooler  | _ 39 (86)      |
| 1.12 Swing cylinder   | _ 59 (130)     |
| 1.13 Swing bracket  | 240 (530)      |
| 2. Lower frame assy (including the following :)                                     | 2,900 (6,390)  |
| 2.1 Slewing bearing   | 115 (254)      |
| 2.2 Travel motor (including reduction unit)   | 81 (180)_2     |
| 2.3 Upper roller  | 4 (9)_2        |
| 2.4 Lower roller  | 15 (33)_10     |
| 2.5 Front idler   | 44 (97)_2      |
| 2.6 Track tension adjuster  | 29 (64)_2      |
| 2.7 Sprocket  | 27 (60)_2      |
| 2.8 Swivel joint  | 21 (46)        |
| 2.9 Dozer blade   | 330 (730)      |
| 2.10 Dozer cylinder   | _ 60 (130)     |
| 2.11 Grouser shoe_450mm (17.7in) width_   | 423 (930)_2    |
| 3. Attachment   | 1,060 (2,340)  |
| _3.72m (12ft-12in) Boom_1.80m (5ft-11in) Arm_0.28m <sup>3</sup> (0.37cu-yd) Bucket_ |                |
| 3.1 Bucket assy   | 202 (445)      |
| 3.2 Arm assy (including the following :)  | 332 (730)      |
| 3.2.1 _Arm_1.8m (5ft-11in)_   | 187 (410)      |
| 3.2.2 _Bucket cylinder  | _ 48 (106)     |
| 3.2.3 _Idler link   | 9 (20)_2       |
| 3.2.4 _Bucket link  | 17 (37)        |
| 3.2.5 _Pin (2pcs. for attaching bucket cylinder / 2pcs. for attaching bucket)       | 18 (40)        |
| 3.3 Boom assy (including the following :)   | 530 (1,170)    |
| 3.3.1 _Boom   | 390 (860)      |
| 3.3.2 _Arm cylinder   | _ 72 (160)     |
| 3.3.3 _Pin (Mounting arm_Mounting arm cylinder)                                     | 16 (35)        |
| 4. Lubricant and water (including the following :)                                  | 189 (420)      |
| 4.1 Hydraulic oil   | 87 (192)       |
| 4.2 Engine oil  | 9 (20)         |
| 4.3 Fuel  | 83 (183)       |
| 4.4 Water   | 10 (22)        |

NOTE : Numerical values marked \_ indicate the dry weight.

## 4.\_TRANSPORTATION DIMENSION AND WEIGHT

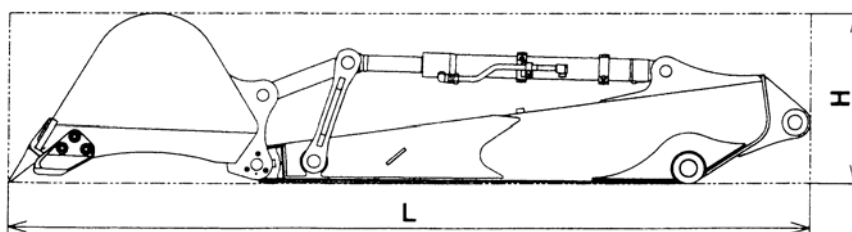
● OVERALL DIMENSIONS OF BOOM

| Item                         | Type      | 3.72m (12ft-2in) Boom            |
|------------------------------|-----------|----------------------------------|
| Length_Height_Width<br>L_H_W | m (ft-in) | 3.86_1.42_0.40<br>(12.8_4.8_1.4) |
| Weight                       | kg (lb)   | 530 (1,170)                      |



● OVERALL DIMENSIONS OF ARM \_ BUCKET

| Item                         | Type      | 1.80m (5ft-11in) Arm _<br>0.28m <sup>3</sup> (0.37cu_yd) Bucket | 2.07m (6ft-9in) Arm _<br>0.22m <sup>3</sup> (0.29cu_yd) Bucket |
|------------------------------|-----------|---|--|
| Length_Height_Width<br>L_H_W | m (ft-in) | 3.34_0.71_0.75<br>(10.11_2.4_2.6)                               | 3.61_0.71_0.65<br>(11.10_2.4_2.2)                              |
| Weight                       | kg (lb)   | 520 (1,150)   | 540 (1,190)  |



● OVERALL DIMENSIONS OF ARM

| Item                         | Type      | 1.80m (5ft-11in) Arm            | 2.07m (6ft-9in) Arm             |
|------------------------------|-----------|---------------------------------|---------------------------------|
| Length_Height_Width<br>L_H_W | m (ft-in) | 2.37_0.54_0.36<br>(7.9_1.9_1.2) | 2.64_0.53_0.36<br>(8.8_1.9_1.2) |
| Weight                       | kg (lb)   | 320 (705)                       | 350 (770)                       |

