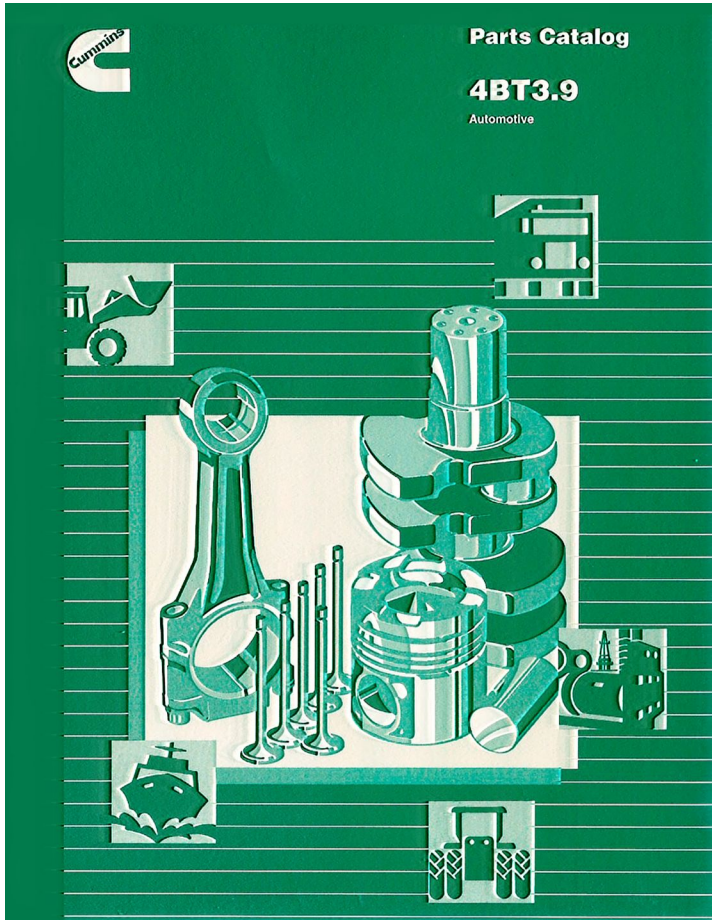


Engine Cummins 4bt39

Full download: <http://manualplace.com/download/engine-cummins-4bt39>



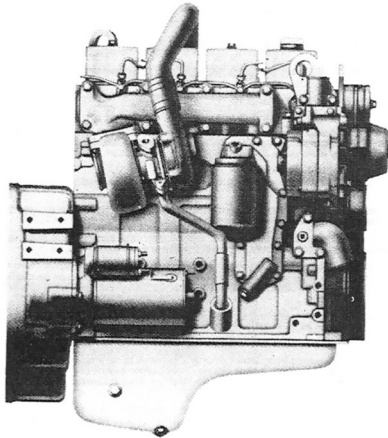
This is the cut pages sample. Download all 120 page(s) at: ManualPlace.com



Parts Catalog

4BT3.9

Automotive





Cummins Engine Co., Inc.
New Parts Warranty
Midrange

COVERAGE

PRODUCTS WARRANTED

This warranty applies to New Parts marketed by Cummins for its A, B, and C Series engines. It applies anywhere in the world where service is available through a Cummins distributor or A, B, and C Series dealer.*

COVERAGE

This warranty covers any failures of parts on or after December 1, 1986, which result, under normal use and service, from defects in workmanship or material (Warrantable Failures). The coverage extends six months from the date of first installation.

This warranty continues to all subsequent Owners until the end of the period of coverage.

CUMMINS RESPONSIBILITIES

Cummins will pay for all parts and labor needed to repair the damage to the engine resulting from the Warrantable Failure. All labor costs will be paid in accordance with Cummins published Standard Repair Time guidelines.

Cummins will pay for the lubricating oil, antifreeze, filter elements, and other maintenance items that are not reusable due to the Warrantable Failure.

Cummins will pay reasonable labor costs for engine removal and reinstallation when necessary to make the warranty repair.

OWNER RESPONSIBILITIES

At the time when the parts are installed, Owner is responsible for the preparation of a written record containing the following: (1) the date of installation of the parts; (2) the engine serial number; (3) the engine miles, hours or kilometers of operation; (4) the parts installed; and (5) the location of the parts in the engine. The purpose of this record is to protect Owner's interests and support any claim for a Warrantable Failure.

Owner is responsible for the operation and maintenance of the engine as specified in Cummins Operation and Maintenance Manuals.

Before expiration of the warranty, Owner must give notice to a Cummins distributor or A, B, and C Series dealer* of a failure considered to be warrantable and deliver the engine to such facility for repair.

Owner is responsible for the cost of lubricating oil, antifreeze, filter elements and other maintenance items replaced during warranty repairs except where such items are not reusable due to a Warrantable Failure.

Owner is responsible for communication expenses, meals, lodging and similar costs incurred by Owner as a result of a Warrantable Failure. Owner is responsible for non-engine repairs and for "downtime" expenses, cargo damage and all business costs and losses resulting from a Warrantable Failure. **CUMMINS IS NOT RESPONSIBLE FOR INCIDENTAL OR CONSEQUENTIAL DAMAGES.**

(In the United States, some states do not allow the exclusion or limitation of incidental or consequential damages relating to Consumer Products, so the above limitation or exclusion may not apply to you.)

LIMITATIONS

Cummins is not responsible for failures resulting from Owner or Operator abuse or neglect, such as: operation without adequate coolant or lubricants; overfueling; overspeeding; lack of maintenance of lubricating, cooling or air intake systems; improper storage, starting, warm-up, run-in or shutdown practices. Cummins is also not responsible for failures caused by incorrect fuel, or by water, dirt or other contaminants in the fuel.

Except for fuel pumps, Cummins does not warrant parts supplied by Cummins which bear the name of another company. These parts are warranted by their manufacturers and not by Cummins. This category of parts includes, but is not limited to: hydraulic pumps, alternators, starters, fans, air conditioning compressors, clutches, filters, transmissions, torque converters, marine gears, air cleaners and non-Cummins air compressors, engine compression brakes, and steering pumps.

Parts used in warranty repairs may be new Cummins, Cummins approved rebuilt parts, or repaired parts. Cummins is not responsible for failures resulting from the use of parts not approved by Cummins.

Before a claim for excessive oil consumption will be considered, Owner must submit adequate documentation to show that consumption exceeds Cummins published standards.

This warranty does not apply to parts furnished by Cummins at no charge to the Owner.


THIS WARRANTY IS THE SOLE WARRANTY MADE BY CUMMINS IN REGARD TO THESE PARTS. CUMMINS MAKES NO OTHER WARRANTIES, EXPRESS OR IMPLIED, OR OF MERCHANTABILITY OR FITNESS FOR A PARTICULAR PURPOSE.

INVEST IN THE BEST

Product Identification Information

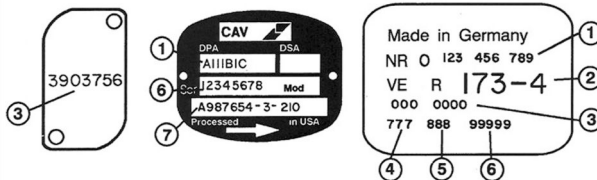
Data plates should be referred for parts identification.

1. ENGINE DATA PLATE

 Cummins Engine Company, Inc. Box 3005 Columbus, Indiana 47205-3005	Cert. I.D.	C.I.D./L	Series	CPL	Engine Serial No.	
					Injector P/N.	
	Timing-TDC			Cust. Spec.		
Warning: Injury May Result and Warranty is Voided If Fuel Rate RPM Or Altitude Exceed Published Maximum Values For This Model And Application	Valve lash cold	Int.	Exh.	Rated HP	at	RPM
	Firing Order	Fuel rate at rated HP			mm ³ /stroke	
Date of Mfg.	Low Idle RPM	E.C.S.	Model Name			

1. Shop order number
2. Model designation
3. Engine serial number
4. Control parts list

2. FUEL PUMP DATA PLATE



1. Supplier part number
2. Supplier alpha-numerica designation
3. Cummins part number
4. Factory code
5. Manufacturing date code
6. Serial number of pump
7. Pump setting code

This catalog was compiled by Rita Wheeler in Parts Communications.

Customer Service Information

This standard Parts Catalog contains parts information for the following Cummins Engine Model(s):

4BT3.9 D382008BX02 CPL 858, 1268

Certain basic engine components have been matched to give optimum performance to your engine. The part numbers listed in this catalog for these components are for a standard engine configuration. When ordering any of the Control Parts List (CPL) components listed below, please order by part description and engine serial number. Reference to the CPL number stamped on the engine data (name) plate will also help identify the proper service parts for your engine.

Control Parts List (CPL) Components

Pump, Injection	Page 34-43	Cylinder Head	Page 67
Injector	Page 69-71	Turbocharger	Page 72-97
Camshaft	Page 64	Exhaust Manifold	Page 103-105
Piston	Page 63		

USER INFORMATION

- . Parts numbers appearing in () are for identification purposes only and should not be used when ordering service replacement parts.
- . The reference numbers appearing on the art pages is for publication use only.
- . Assembly content is shown by part number indentation.
- . Options are engineered production part groupings, specifically used for compiling engine orders.
- . Option numbers are for reference only and are not sold for service.
- . Use assembly and not option content to determine service parts replacement.

ALWAYS SPECIFY ENGINE MODEL AND SERIAL NUMBER WHEN ORDERING PARTS FROM THIS CATALOG

Engine Model _____ Engine Serial No. _____

MFG Make _____ Model _____ Chassis No. _____

Fuel Pump Assembly No. _____ Injector No. _____

Belt, Fan _____ Belt, Water Pump _____ Belt, Gen. _____

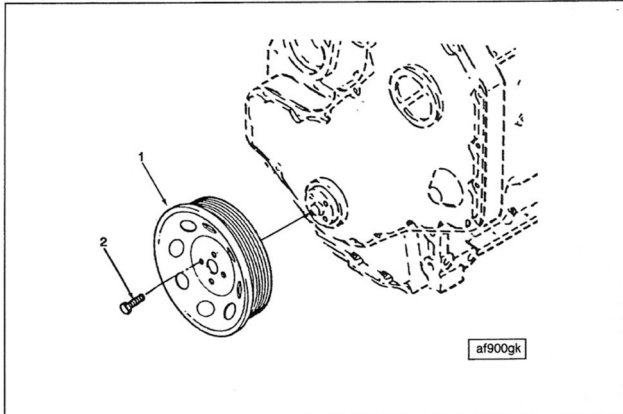
Element, Fuel Filter _____ Full Flow Lub. Filter _____

Air Cleaner _____ By-Pass Lub. Filter _____

Special Equipment

Table of Contents

	Page No.		Page No.
Air Fuel Control Plumbing	28	Valve Cover	112
Alternator Location	21, 22, 23	Valve Tappet	10
Bosch Injection Pump	34, 38, 41	Water Inlet Connection	113, 114
Bosch VE Pump Service Parts	37, 43	Option Number Index	A-1
Cam Follower Cover	19	Part Number Index	B-1
Camshaft	64		
Connecting Rod and Piston	63		
Crankshaft	17		
Cylinder Block	15		
Cylinder Block Cover	58, 59, 60		
Cylinder Head	67		
Dataplate	3, 4		
Fan Drive	25, 26, 27		
Fan Pilot Spacer	99		
Flywheel	48		
Flywheel Housing	31, 32		
Front Drive Adapter	2		
Front Gear Cover	7, 13		
Fuel Filter	29		
Fuel Filter Plumbing	30		
Fuel Injector	69, 71		
Fuel Pump Coupling	33		
Fuel System Accessories	44		
Lifting Bracket	49		
Lubricating Oil Cooler	51, 53		
Lubricating Oil Pump	57		
Main Bearing Kits	119		
Main Bearing Sets	17		
Oil Level Gauge	55, 56		
Oil Pan	61		
Piston Kits	119		
Piston Ring Sets	119		
Plumbing, Fuel	47		
Pump Water	115		
Rear Clutch	18		
Rocker Levers	9		
Service Gasket Sets	116, 117, 118		
Service Parts	15, 67		
Starting Motor	100		
Starting Motor Mounting	98		
Temperature Sensor	24		
Thermostat	20		
Thermostat Housing	107		
Transmission	111		
Turbo Repair Kits	119		
Turbocharger	72, 73, 75, 76, 79, 80, 83, 84, 87, 88, 89, 90, 93, 94, 97		
Turbocharger Location	103, 105, 106		
Turbocharger Plumbing	109		

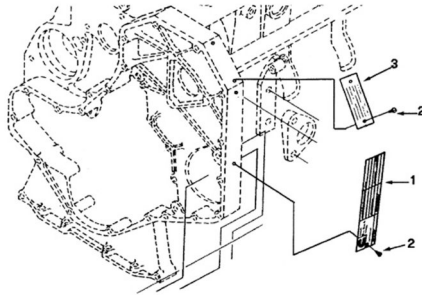


Ref No.	Part Number	Part Name	Req	Remarks
		FRONT DRIVE ADAPTER OPTION AF9006		174mm dia. 8 groove drive pulley, mounted on front of crankshaft.
1	3914494	Pulley, Crankshaft	1	
2	3903857	Screw, Hex Flange Head Cap	4	M12 x 1.25 x 36

Group No. 01.06.1

Dataplate

Option No. AP9040



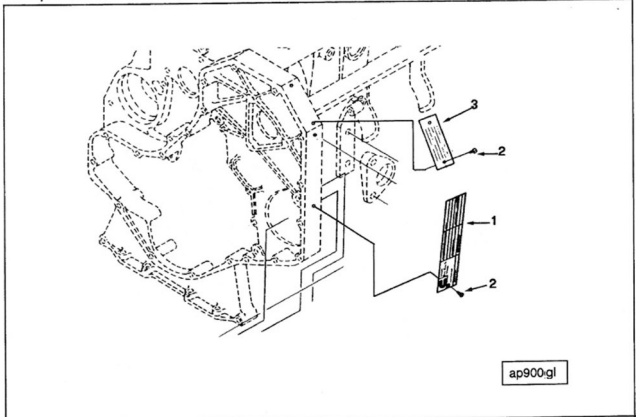
ap900gl

Ref No.	Part Number	Part Name	Req	Remarks
		DATAPLATE OPTION AP9040		
1	3916164	Dataplate	1	Certified EPA and California (ARB) dataplate for (1990 model year) engine classified as light heavy duty diesel engines. Includes dataplate for engines manufactured for Cummins Engine Company. Located on fuel pump side of engine on the outboard edge of gear housing, orientated 90 degrees counter-clockwise from vertical.
2	3908612	Screw, Drive	4	
3	3916006	Dataplate	1	

Group No. 01.06.1

Dataplate

Option No. AP9053



Ref No.	Part Number	Part Name	Req	Remarks
		DATAPLATE OPTION AP9053		Certified EPA and California (ARB) dataplate for (1990 model year) engine classified as medium heavy duty diesel engines. Includes dataplate for engines manufactured for Cummins Engine Company. Located on fuel pump side of engine on the outboard edge of gear housing, orientated 90 degrees counter-clockwise from horizontal.
1	3918974	Dataplate	1	
2	3908612	Screw, Drive	4	
3	3918007	Dataplate	1	

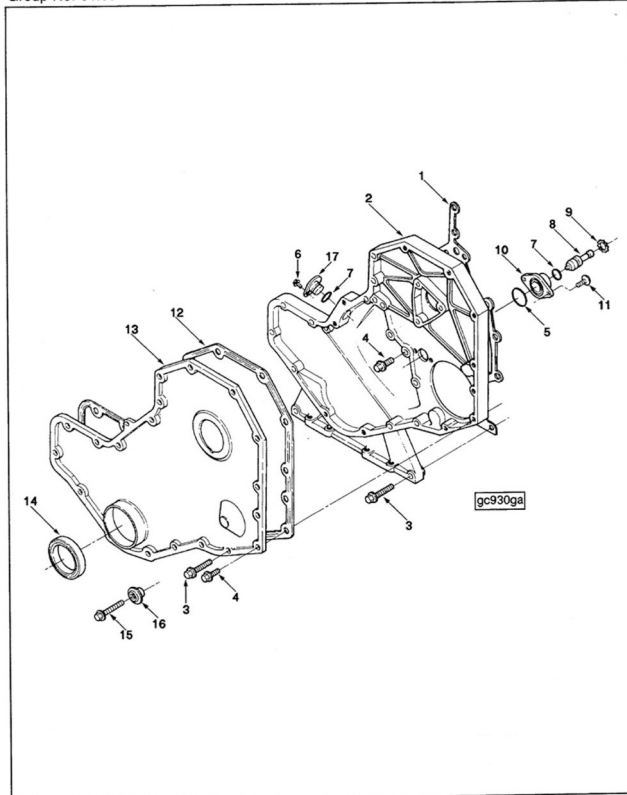
Engine Cummins 4bt39

Full download: <http://manualplace.com/download/engine-cummins-4bt39>

Group No. 01.09

Front Gear Cover

Option No. BP9703



Page 6