

Spare Parts Catalogue

SCC1200-1EN4

Valid from roller serial number:
10000332x0A000001 - 0A012668



Diesel engines:
Kubota D1703

Published catalogue issues valid for these rollers:

<i>Catalogue</i>	<i>Issue date</i>	<i>Valid for serial numbers</i>
SCC1200-1EN1	2010-12	Replaced by SCC1200-1EN2
SCC1200-1EN2	2011-03	Replaced by SCC1200-1EN3
SCC1200-1EN3	2011-10	Replaced by SCC1200-1EN4
SCC1200-1EN4	2014-03	See above



We reserve the right to change specifications without notice.
Printed in Sweden.

RESERVDLSBESTÄLLNING

Följande uppgifter ska lämnas vid beställning av reservdelar för att undvika leveransfel:

1. Maskintyp.
2. Vältens serienummer.
3. Antal av önskad reservdel.
4. Reserdelens artikelnummer.
5. Reservdelens benämning.
6. Måttuppgifter vid beställning av metervara.

ERSATZTEILBESTELLUNG

Zur Vermeidung von Fehllieferungen sind bei der Bestellung von Ersatzteilen folgende Angaben zu machen:

1. Maschinentyp.
2. Herstellungsnummer.
3. Bestellmenge. (Quantity)
4. Ersatzteilnummer. (Part N°)
5. Ersatzteilbenennung. (Denomination)
6. Massangaben bei Bestellung von Meterware.

PEDIDO DE RECAMBIOS

Para evitar errores en las entregas, deberán indicarse los siguientes datos al hacer un pedido de recambios:

1. Tipo de máquina.
2. Número de serie.
3. Cantidad de piezas deseadas. (Quantity)
4. Número de artículo de la pieza de recambio. (Part N°)
5. Denominación de la pieza. (Denomination)
6. Indíquese la medida al solicitar un artículo que se expide por metros.

ORDERING SPARE PARTS

To avoid errors in delivery, please give the following information when ordering spare parts:

1. Type of machine.
2. Roller serial number.
3. Quantity required.
4. Part number.
5. Parts denomination.
6. Dimensions when ordering per length.

ORDINI DI RICAMBI

Per evitare errori nelle consegne di ricambi, Vi preghiamo di comunicarci le seguenti informazioni al momento dell'ordinazione:

1. Tipo di macchina.
2. Numero di serie della macchina.
3. Quantità dei pezzi desiderati. (Quantity)
4. Numero di codice del pezzo. (Part N°)
5. Descrizione del pezzo di ricambio. (Denomination)
6. Misura, in caso di ordine per metro.

COMMANDE DE PIÉCES DE RECHANGE

Les indications suivantes doivent être fournies lors de la commande de pièces de rechange, afin d'éviter toute erreur de livraison:

1. Type de machine.
2. Numéro de série.
3. Quantité désirée de pièce de rechange. (Quantity)
4. Numéro de la pièce de rechange. (Part N°)
5. Dénomination de la pièce de rechange. (Denomination)
6. Longueur en cas de commande au mètre.

YOUR AGENT/DEALER:

TABLE OF CONTENTS

Page

CC1200 S/N 10000332x 0A000001 - 0A012668	2
Service kits	4
4812156265 Service kit 50h	6
4812156288 Service kit 250 / 750 h	8
4812156266 Service kit 500h	10
4812156267 Service kit 1000 h	12
Repair kits	14
4700938908 Eccentric shaft kit	16
4700938892 Drum rotation kit	18
4700938914 Scraper kit (12 mm) Up to 0A012145	20
4812159961 Scraper kit From 0A012146	22
4700938885 Shock absorber kit, drum	24
Steering hitch kit	26
Frame Up to 0A012145	28
Frame, front	30
Steering hitch	32
Frame, rear	34
Steering hitch	32
Scrapers, STD	36
Scrapers, spring loaded (option)	38
Sprinkler system Up to 0A011269	40
Sprinkler system From 0A011270	44
Towing device (option)	48
Frame From 0A012146	50
Frame, front	52
Steering hitch	32
Frame, rear	54
Steering hitch	32
Scraper	56
Scrapers, spring loaded (option)	58
Sprinkler system	60
Towing device (option)	48
Drum Up to 0A012604	64
Drum From 0A012605	66
Engine room	68
Engine module	70
4812110881 Diesel engine Kubota D1703	72
Exhaust system	74

TABLE OF CONTENTS

Page

Fan	76
Air filter	78
Expansion tank Up to 0A011269	80
Expansion tank From 0A011270	82
Water cooler Up to 0A009071	84
Water cooler From 0A009072	86
Water cooler From 0A009073 Up to 0A009077	84
Water cooler From 0A009078 Up to 0A012542	86
Water cooler From 0A012543	88
4812112731 Engine hood Up to 0A008121	90
4812115506 Engine hood, cpl From 0A008122 Up to 0A008239	92
4812112731 Engine hood From 0A008240	90
4812115506 Engine hood, cpl From 0A008241 Up to 0A011269	92
4812118163 Engine hood, cpl From 0A011270	94
Casing Up to 0A008121	96
Casing From 0A008122 Up to 0A008239	98
Casing From 0A008240	96
Casing From 0A008241	98
Fuel system	100
Cooler hoses Up to 0A012542	102
Cooler hoses From 0A012543	104
Air hoses Up to 0A011269	106
Air hoses From 0A011270	108
Fuel hoses	110
Hydraulic system	112
Propulsion system	114
4700390742 Hydraulic motor, propulsion, drum	118
Rotating group, valves, charge pump	120
Vibration system	122
4812112054 Hydraulic pump From 0A012569 Up to 0A012584	126
4812112054 Hydraulic pump From 0A012586 Up to 0A012606	126
4812112054 Hydraulic pump From 0A012611 Up to 0A012667	126
4700391270 Hydraulic motor	128
Steering system	130
4700374603 Steering cylinder	132
Brake system	134
Flow divider (option)	136
Vibration shut-off Front drum (option)	138
Electrical equipment	140
Horn module	142

TABLE OF CONTENTS

Page

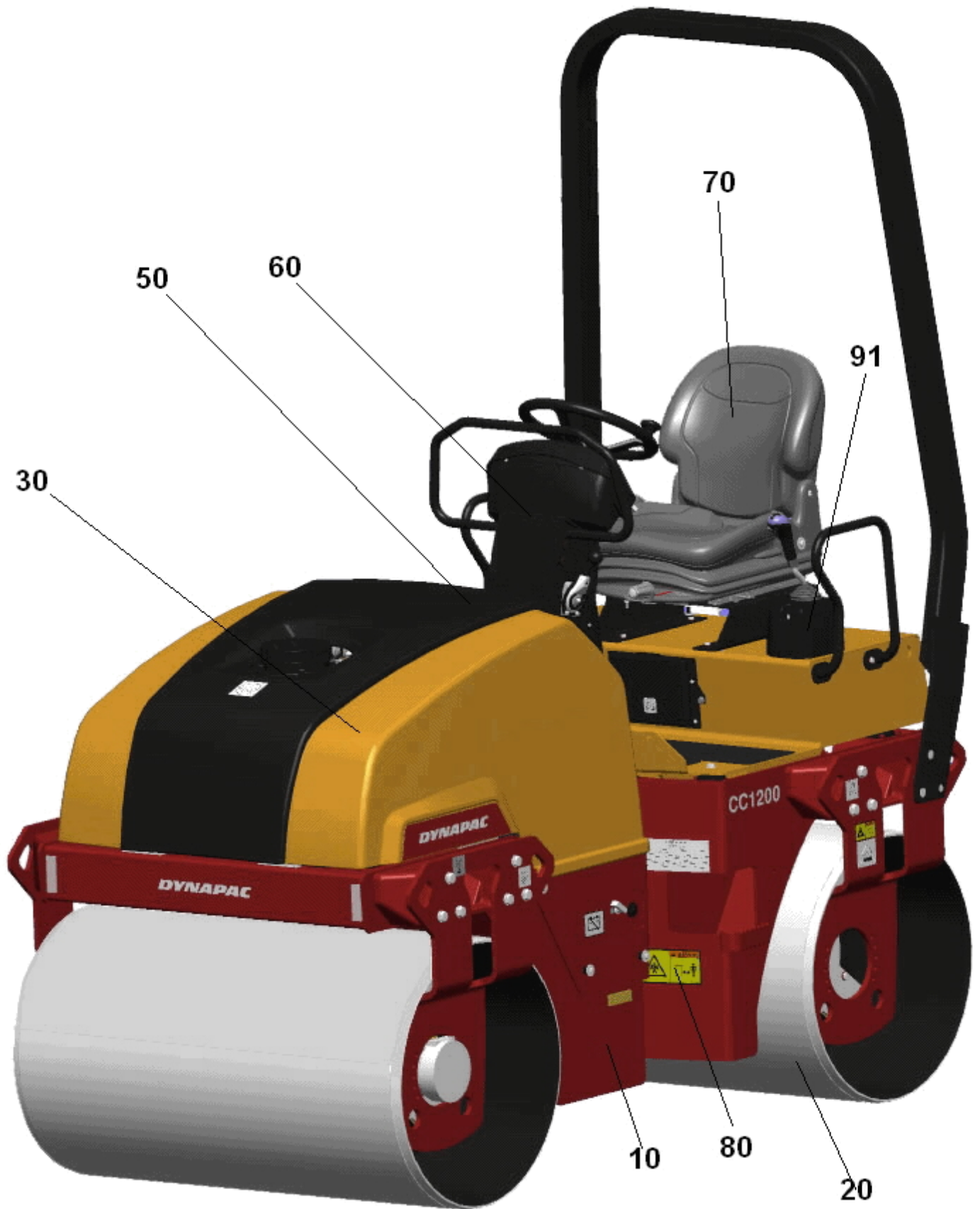
Battery module	144
Battery disconnecter	146
Cable harness	148
Working lights	150
Working lights front	152
Working light rear	154
Working light (option) rear	156
Casing rear	158
Cover plate rear	160
Rotating beacon for ROPS (option)	162
Back-up alarm	164
Drivers platform	166
Platform module	168
Platform mount	170
Instrument panel module Up to 0A00\$0967	172
Instrument panel module From 0A0010968	174
Steering wheel	176
Control module	178
Standard ECU module	180
Forward-Reverse control module	182
4812113676 Forward and reverse control handle	184
Forward-reverse control left (option)	186
Cover plate, Dual F&R-control left side	188
Throttle control, cpl	190
Throttle control cpl, Dual frequency (option)	192
Arm rests, seat belt, laterally adjusting	194
Step (option)	196
Driver seat, Std	198
Driver seat, Luxury (option)	200
Driver's seat, without armrests (option)	202
Seat belt module 2"	204
Rear view mirror (option)	206
ROPS, foldable (option)	208
Rops (option)	210
Canopy (option)	212
Decals	214
Decals	216
Optional equipment	218
Fire extinguisher	220
Tool equipment	222

TABLE OF CONTENTS

Page

SMV-sign and Licence plate	224
Brake release, propulsion motor Poclain	226
Brake release, "high torque" drum drive	228
High torque drum drive " Short"	230
4700380594 Hydraulic motor, propulsion, drum	232
Vibration shut-off Front drum (option)	138

CC1200 S/N 10000332x 0A000001 - 0A012668



CC1200 S/N 10000332x 0A000001 - 0A012668

Item	Part No	Rem Qty	Description	Code
		1	Service kits (Page 4)	
		1	Repair kits (Page 14)	
10		1	Frame Up to 0A012145 (Page 28)	
		1	Frame From 0A012146 (Page 50)	
20		2	Drum Up to 0A012604 (Page 64)	
		1	Drum From 0A012605 (Page 66)	
30		1	Engine room (Page 68)	
50		1	Hydraulic system (Page 112)	
60		1	Electrical equipment (Page 140)	
70		1	Drivers platform (Page 166)	
80		1	Decals (Page 214)	
91		1	Optional equipment (Page 218)	

Service kits

Item	Part No	Rem Qty	Description	Code
1	4812156265	1	Service kit 50h (Page 6)	A
2	4812156288	1	Service kit 250 / 750 h (Page 8)	A
3	4812156266	1	Service kit 500h (Page 10)	A
4	4812156267	1	Service kit 1000 h (Page 12)	A

4812156265 Service kit 50h

Item	Part No	Rem Qty	Description	Code
2	4812156259	1	Engine oil filter element	A
3	4812156263	1	Fuel filter element	A
4	4812156264	1	Pre-fuel filter element	A
5	4812113328	1	Hydraulic oil filter element	A

4812156288 Service kit 250 / 750 h

Item	Part No	Rem Qty	Description	Code
2	4812156259	1	Engine oil filter element	A

4812156266 Service kit 500h

Item	Part No	Rem Qty	Description	Code
2	4812156259	1	Engine oil filter element	A
3	4812156263	1	Fuel filter element	A
4	4812156264	1	Pre-fuel filter element	A
5	4812156260	1	V-belt	A

Dynapac Vibratory Roller Scc1200 1en Spare Parts Catalogue

Full download: <http://manualplace.com/download/dynapac-vibratory-roller-scc1200-1en-spare-parts-catalogue/> Dynapac Compaction Equipment AB

DYNAPAC
Part of the Atlas Copco Group

4812156267 Service kit 1000 h