

CC1200C Plus

Spare parts list

Vibratory roller

CC1200C Plus s/n 10000372xxA017561 -

Engine: Kubota D1703 (18,5 kW)



General information

Use only authorized parts. Any damage or malfunction caused by the use of unauthorized parts is not covered by Warranty or Product Liability. Any unauthorized use or copying of the contents or any part thereof is prohibited. This applies in particular to trademarks, model denominations, part numbers, and drawings.

Instructions for use

This spare parts list contains no safety regulations and is merely intended to assist in the ordering of spare parts.

For information about operating, servicing, or repairing, the relevant Safety and operating instructions must be consulted at all costs.

Please observe the safety instructions listed in the relevant Safety and operating instructions!

Contents

CC1200C (18,5 kW) S/N 10000372xxA017561 -

Service kits

4812156265 Service kit 50h	1
4812159563 Service kit 50h Plus	3
4812156288 Service kit 250 / 750 h	5
4812159564 Service kit 250/750h Plus	7
4812156266 Service kit 500h	9
4812159565 Service kit 500h Plus	11
4812156267 Service kit 1000 h	13
4812159568 Service kit 1000h Plus	15
4812159571 Start-up kit	17

Repair kits

4700938908 Eccentric shaft kit	19
4700938892 Drum rotation kit	21
4700938914 Scraper kit (12 mm)	23
4812159961 Scraper kit	25
4700938885 Shock absorber kit, drum	27
4700938575 Steering hitch kit	29

General - Keys and others

Keys	31
Fuses	33

Frame

Frame, front	35
Frame, rear	37
Protective plate, front lights (Option)	39
Hitch	41
Sprinkler system	43
Scraper drum	50
Scraper wheels	53
Scrapers, spring loaded (option)	55

Drum / Wheels

Drum	57
Wheels	59

Engine room

Engine module	61
4812120540 Diesel engine Kubota D1703-M-E4B	65
Exhaust system	67
Fan	69
Air filter	71
4812118163 Engine hood, cpl	73
Water cooler	75
Casing	77
Cooler hoses	79
Fuel system	81
Fuel hoses	83
Air hoses	85

Hydraulic system

Propulsion system	87
4812120928 Connection block	91
Vibration system	93
Flow divider (option)	97
Brake system	99
Rotating group, valves, charge pump	101
Vibration shut-off Front drum (option)	105

Steering system

Steering system	107
4812120737 Hydraulic cylinder	109

Electrical equipment

Electrical equipment	111
Horn module	113
Battery module	115
Battery disconnecter	117
Cable harness	119

Rotating beacon

Rotating beacon for ROPS (option)	121
Rotating beacon for ROPS ignition controlled (option)	123
Rotating beacon, without rops (option)	125

Working lights

Working lights	127
Working lights front	129
Working light rear	131
Working light (option) rear	133
Casing rear	135
Cover plate rear	137

Driving lights

Driving lights Front RH (option)

Driving lights Front RH (option)	139
Driving lights Front	141
Driving lights Rear (option)	143

Driving lights Fronts LH (option)

Driving lights Front LH (option)	145
Driving lights Front	147
Driving lights Rear (option)	See page 143
Direction indicator (option)	149
Back-up alarm	151
Sprinkler Wheels	153

Drivers platform

Drivers platform	155
Platform module	157
Platform mount	159
Instrument panel module	161
Steering wheel	163
Control module	165
Standard ECU module	167
Forward-Reverse control module	169
4812113676 Forward and reverse control handle	171
Forward-reverse control left (option)	175
Step (option)	177
Cover plate, Dual F&R-control left side	179
Seat laterally adjusting	181
Throttle control, cpl	183
Throttle control cpl, Dual frequency (option)	185

Driver seat

Driver seat, Std	187
Driver seat, Luxury (option)	189
Driver's seat, without armrests	191
Seat belt module 3"	193
Seat belt module 2"	195
Rear view mirror (option)	197

ROPS

ROPS, foldable (option) 199
Rops (option)201
Canopy (option) 203

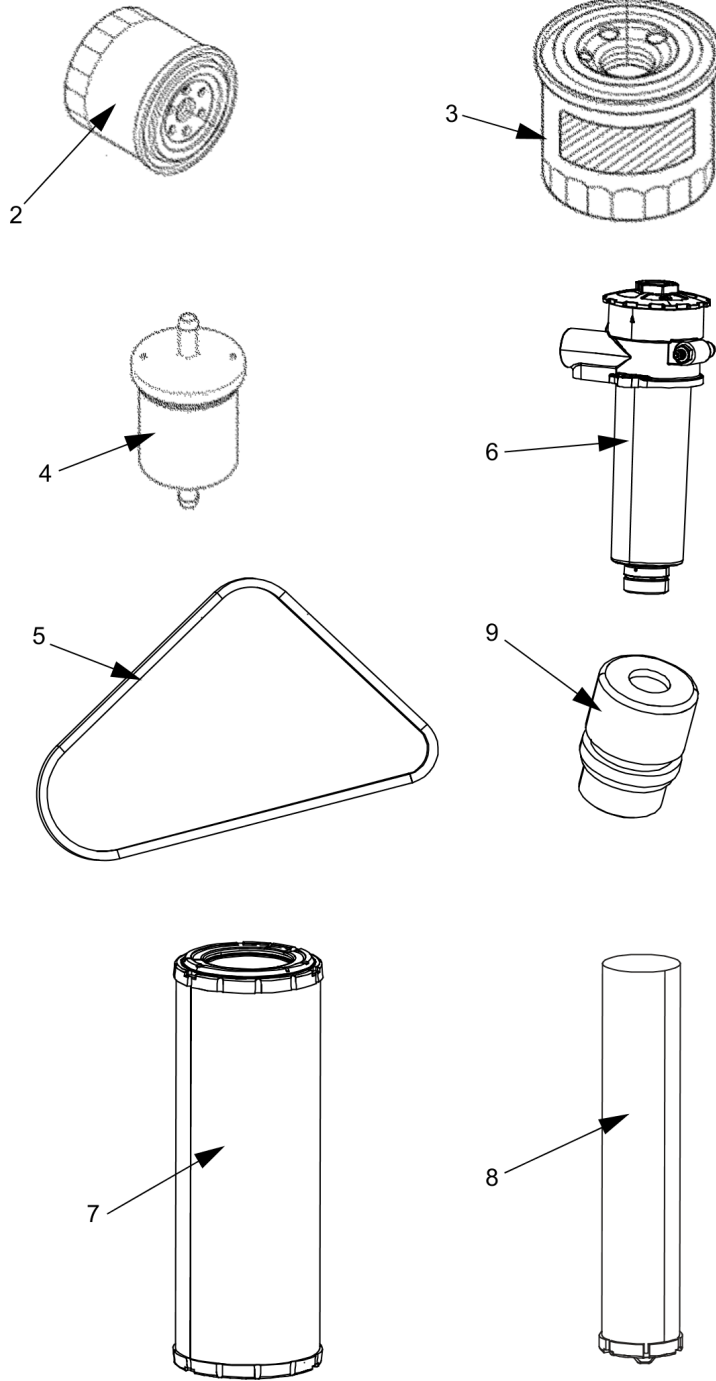
Decals

Decals 205

Optional equipment

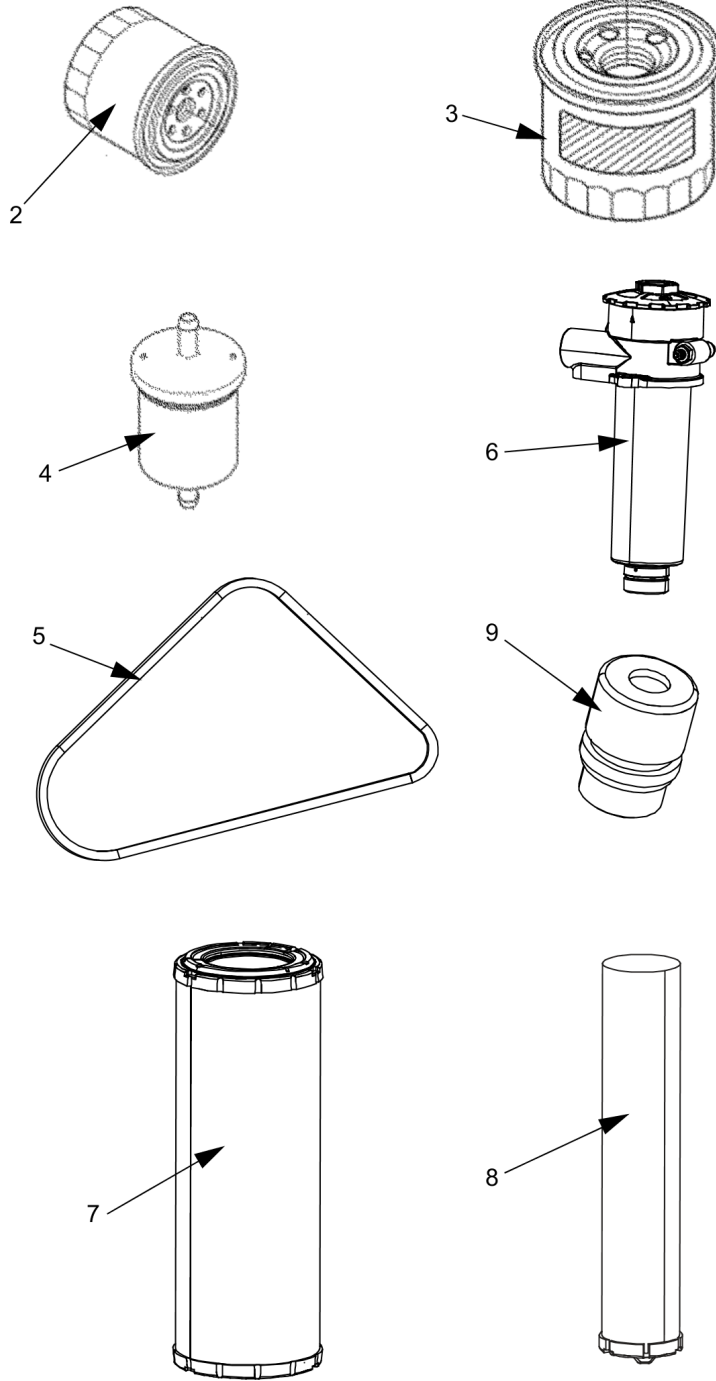
Fire extinguisher208
Tool equipment 211
SMV-sign and Licence plate 213
Brake release, propulsion motor 215
Brake release, propulsion motor Poclair 217
Appendix B:Parts Index 219

Service kits 4812156265 Service kit 50h



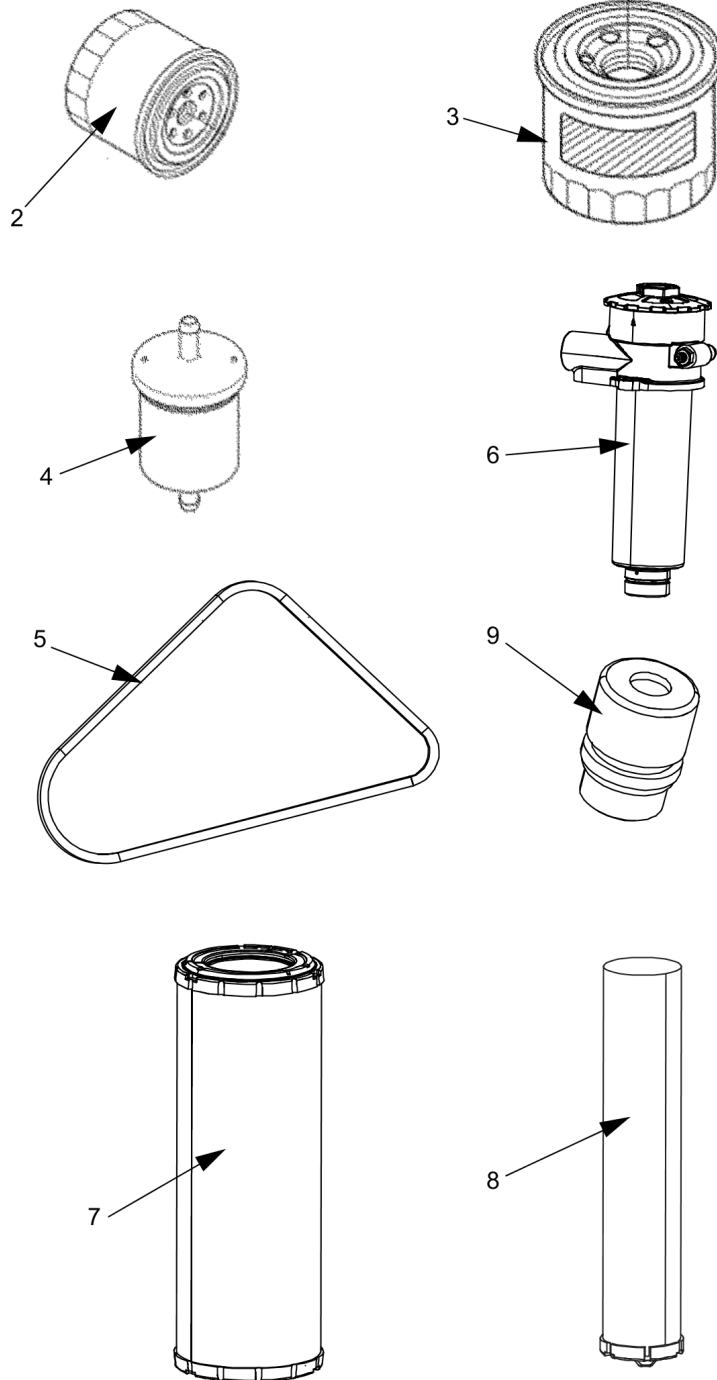
Item	Part No.	Name	Qty	L	SN INFO
0	4812156265	Service kit 50h	1		
2	4812156259	Engine oil filter element	1		
3	4812156263	Fuel filter element	1		
4	4812156264	Pre-fuel filter element	1		
6	4812113328	Hydraulic oil filter element	1		

Service kits 4812159563 Service kit 50h Plus



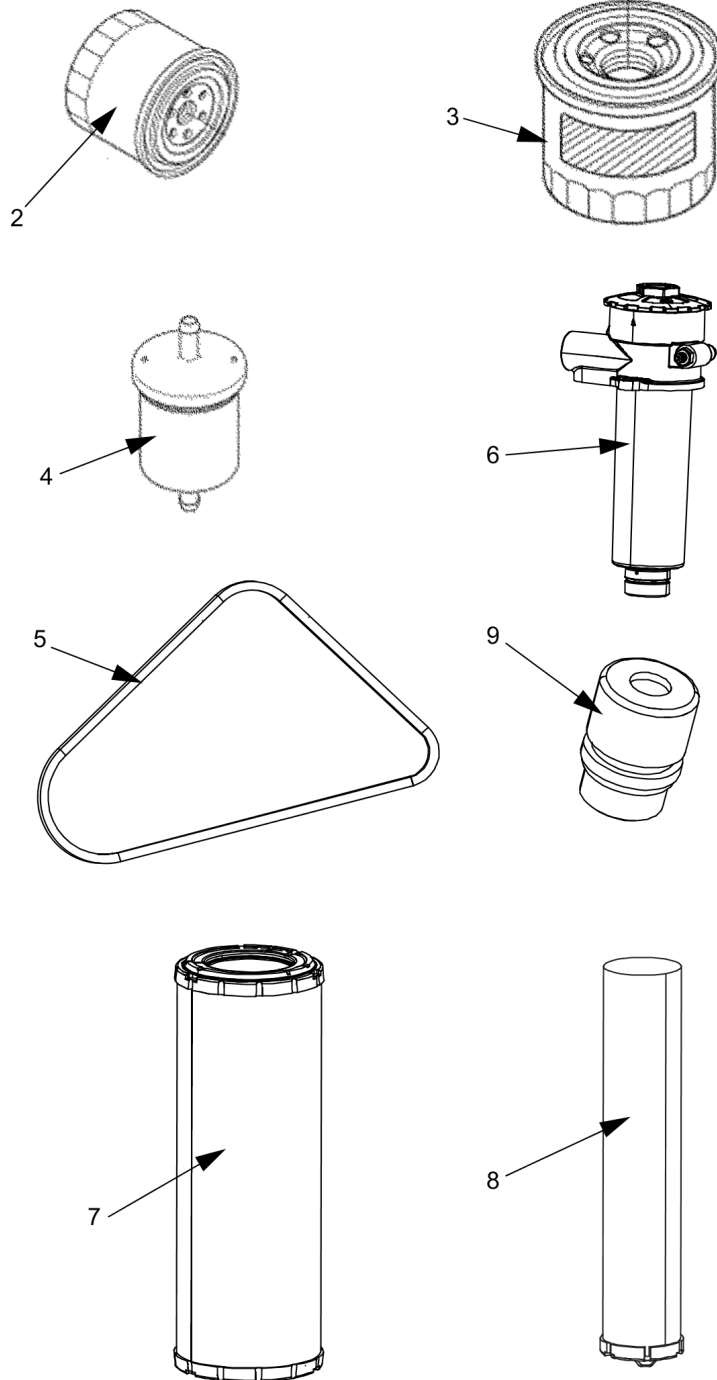
Item	Part No.	Name	Qty	L	SN INFO
0	4812159563	Service kit 50h Plus			
2	4812156259	Engine oil filter element	1		
3	4812156263	Fuel filter element	1		
4	4812156264	Pre-fuel filter element	1		
6	4812113328	Hydraulic oil filter element	1		
10	5580020624	Engine oil 100 / 5 ltr.	2		
11	4812030096	Dynapac Roller Grease	1		

Service kits 4812156288 Service kit 250 / 750 h



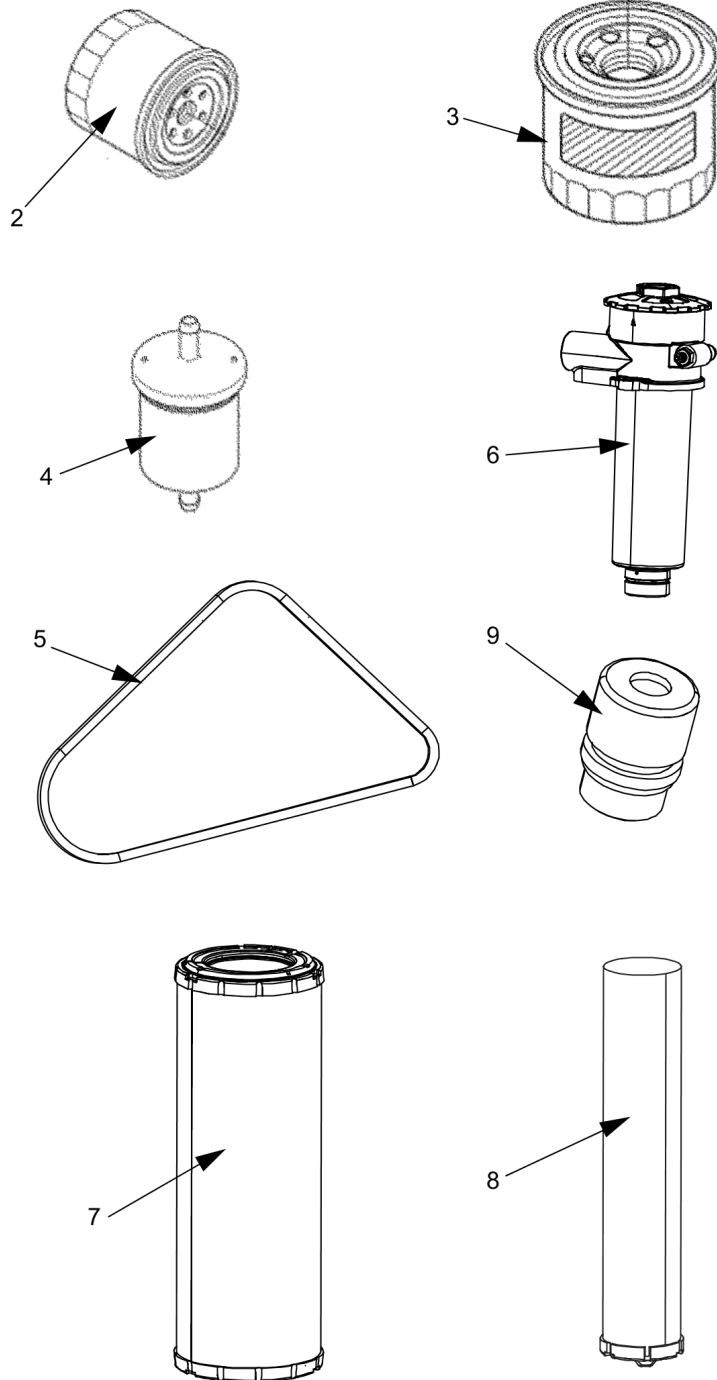
Item	Part No.	Name	Qty	L	SN INFO
0	4812156288	Service kit 250 / 750 h	1		
2	4812156259	Engine oil filter element	1		

Service kits 4812159564 Service kit 250/750h Plus



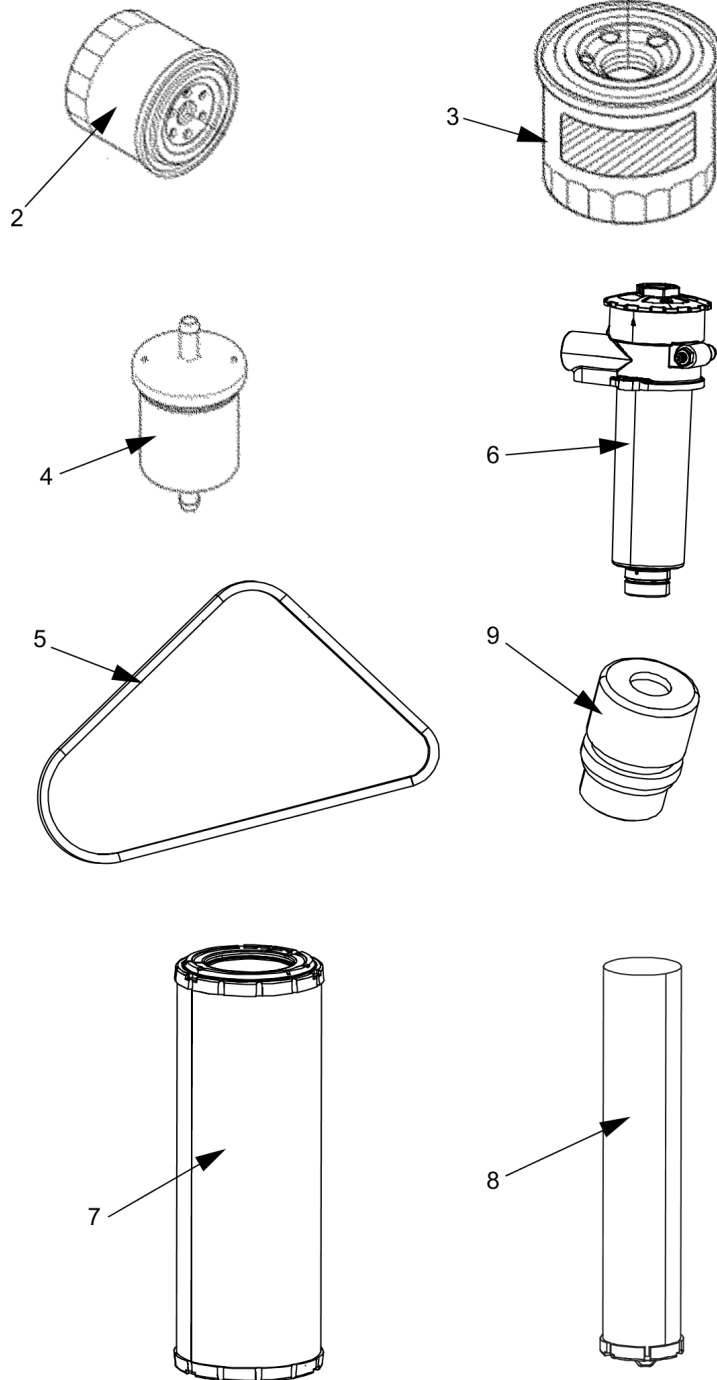
Item	Part No.	Name	Qty	L	SN INFO
0	4812159564	Service kit 250/750h Plus			
2	4812156259	Engine oil filter element	1		
10	5580020624	Engine oil 100 / 5 ltr.	2		

Service kits 4812156266 Service kit 500h



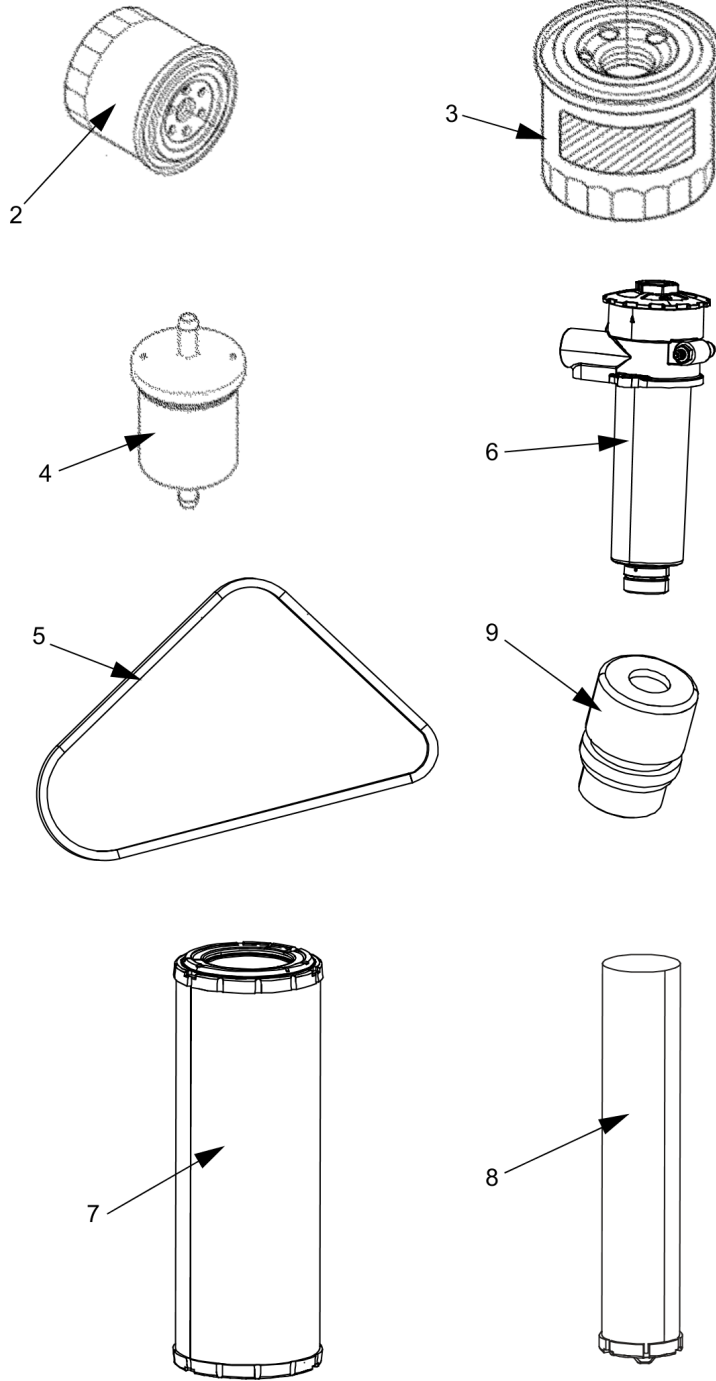
Item	Part No.	Name	Qty	L	SN INFO
0	4812156266	Service kit 500h	1		
2	4812156259	Engine oil filter element	1		
3	4812156263	Fuel filter element	1		
4	4812156264	Pre-fuel filter element	1		
5	4812156260	V-belt	1		

Service kits 4812159565 Service kit 500h Plus



Item	Part No.	Name	Qty	L	SN INFO
0	4812159565	Service kit 500h Plus			
2	4812156259	Engine oil filter element	1		
3	4812156263	Fuel filter element	1		
4	4812156264	Pre-fuel filter element	1		
5	4812156260	V-belt	1		
10	4812030096	Dynapac Roller Grease	1		

Service kits 4812156267 Service kit 1000 h



Item	Part No.	Name	Qty	L	SN INFO
0	4812156267	Service kit 1000 h	1		
2	4812156259	Engine oil filter element	1		
3	4812156263	Fuel filter element	1		
4	4812156264	Pre-fuel filter element	1		
5	4812156260	V-belt	1		
6	4812113328	Hydraulic oil filter element	1		
7	4700939802	Air filter element Main	1		
8	4700939803	Air filter element Safety	1		
9	4700357138	Ventilating filter	1		
10	4812156261	Valve cover gasket	1		

Service kits 4812159568 Service kit 1000h Plus

