

CC1100C Plus

Spare parts list

Vibratory roller

CC1100C Plus s/n 10000369xxA018328 -

Engine: Kubota D1703 (18,5 kW)



General information

Use only authorized parts. Any damage or malfunction caused by the use of unauthorized parts is not covered by Warranty or Product Liability. Any unauthorized use or copying of the contents or any part thereof is prohibited. This applies in particular to trademarks, model denominations, part numbers, and drawings.

Instructions for use

This spare parts list contains no safety regulations and is merely intended to assist in the ordering of spare parts.

For information about operating, servicing, or repairing, the relevant Safety and operating instructions must be consulted at all costs.

Please observe the safety instructions listed in the relevant Safety and operating instructions!

Contents

CC1100C Plus (18,5 kW) S/N 10000369xxA018328 -

CC1100C Plus (18,5 kW) S/N 10000369xxA018328 -	1
Service kits	
4812156265 Service kit 50h	3
4812159563 Service kit 50h Plus	5
4812156288 Service kit 250 / 750 h	7
4812159564 Service kit 250/750h Plus	9
4812156266 Service kit 500h	11
4812159565 Service kit 500h Plus	13
4812156267 Service kit 1000 h	15
4812159568 Service kit 1000h Plus	17
4812159571 Start-up kit	19
Repair kits	
4700938908 Eccentric shaft kit	21
4700938892 Drum rotation kit	23
4812159961 Scraper kit	25
4700938885 Shock absorber kit, drum	27
4700938575 Steering hitch kit	29
General - Keys and others	
Keys	31
Fuses	33
Frame	
Frame, front	35
Frame, rear	37
Protective plate, front lights (Option)	39
Hitch	41
Sprinkler system	43
Scrapers	50
Scrapers, wheels	53
Scrapers, spring loaded (option)	55
Drum / Wheels	
Drum	57
Wheels	60
Engine room	
Engine module	63
4812120540 Diesel engine Kubota D1703-M-E4B	67
Exhaust system	69
Fan	71
Air filter	73
4812118163 Engine hood, cpl	75
Water cooler	77
Casing	79
Cooler hoses	81
Fuel system	83
Fuel hoses	85
Air hoses	87
Hydraulic system	
Propulsion system	89
4812120928 Connection block	93
Vibration system	95
Flow divider (option)	99
Brake system	101
Rotating group, valves, charge pump	103
Vibration shut-off Front drum (option)	107

Steering system

Steering system	109
4812120737 Hydraulic cylinder	111

Electrical equipment

Electrical equipment	113
Horn module	115
Battery module	117
Battery disconnecter	119
Cable harness	121

Rotating beacon

Rotating beacon for ROPS (option)	123
Rotating beacon for ROPS ignition controlled (option)	125
Rotating beacon, without rops (option)	127

Working lights

Working lights	129
Working lights front	131
Working light rear	133
Working light (option) rear	135
Casing rear	137
Cover plate rear	139

Driving lights

Driving lights RH

Driving lights Front RH (option)	141
Driving lights Front	143
Driving lights Rear (option)	145

Driving lights LH

Driving lights Front LH (option)	147
Driving lights Front	149
Driving lights Rear (option)	See page 145
Direction indicator (option)	151
Back-up alarm	153
Sprinkler Wheels	155

Drivers platform

Drivers platform	157
Platform module	159
Platform mount	161
Instrument panel module	163
Steering wheel	165
Control module	167
Standard ECU module	169
Forward-Reverse control module	171
4812113676 Forward and reverse control handle	173
Forward-reverse control left (option)	177
Step (option)	179
Cover plate, Dual F&R-control left side	181
Seat laterally adjusting	183
Throttle control, cpl	185
Throttle control cpl, Dual frequency (option)	187

Driver seat

Driver seat, Std	189
Driver seat, Luxury (option)	191
Driver's seat, without armrests	193
Seat belt module 3"	195
Seat belt module 2"	197
Rear view mirror (option)	199

ROPS

ROPS, foldable (option) 201
Rops (option) 203
Canopy (option) 205

Decals

Decals 207

Optional equipment

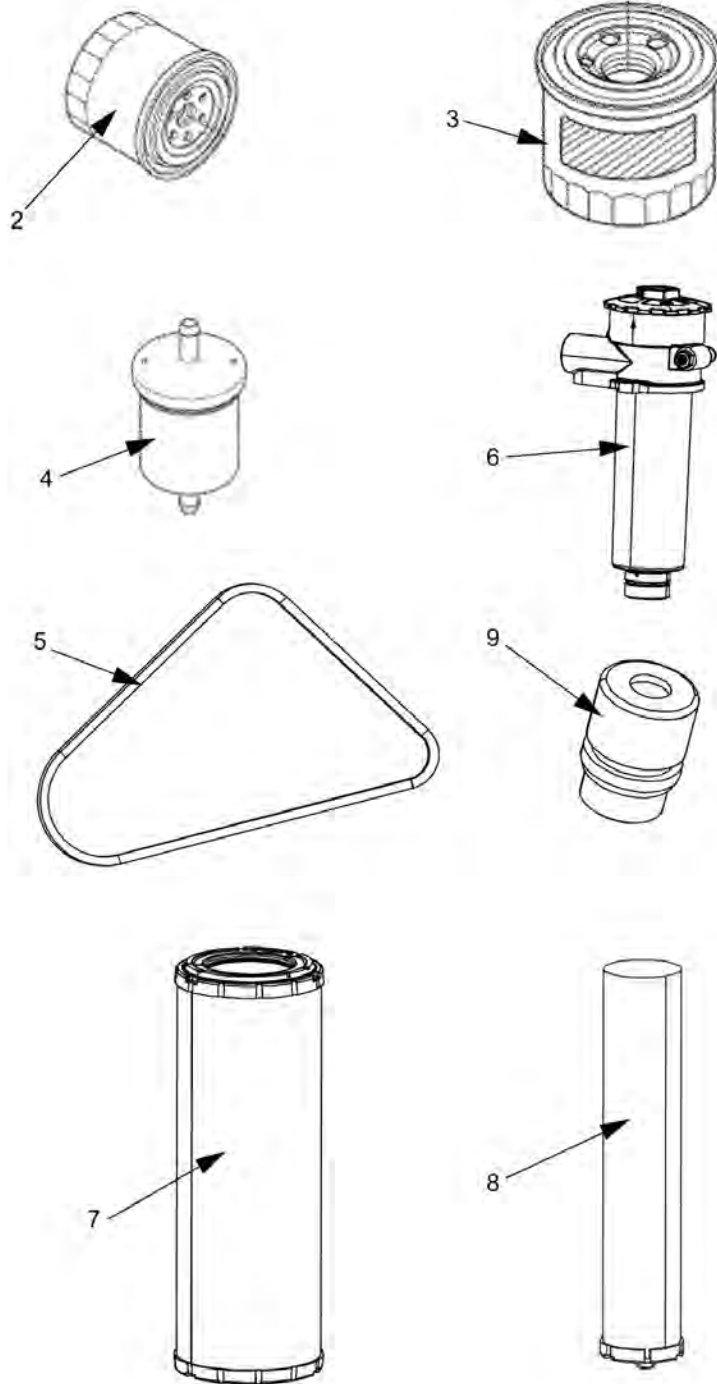
Fire extinguisher 210
Tool equipment 213
SMV-sign and Licence plate 215
Brake release, propulsion motor 217
Brake release, propulsion motor Poclairn 219
FleetLink module 221
Appendix B:Parts Index 223

CC1100C Plus (18,5 kW) S/N 10000369xxA018328 - CC1100C Plus (18,5 kW) S/N 10000369xxA018328 -



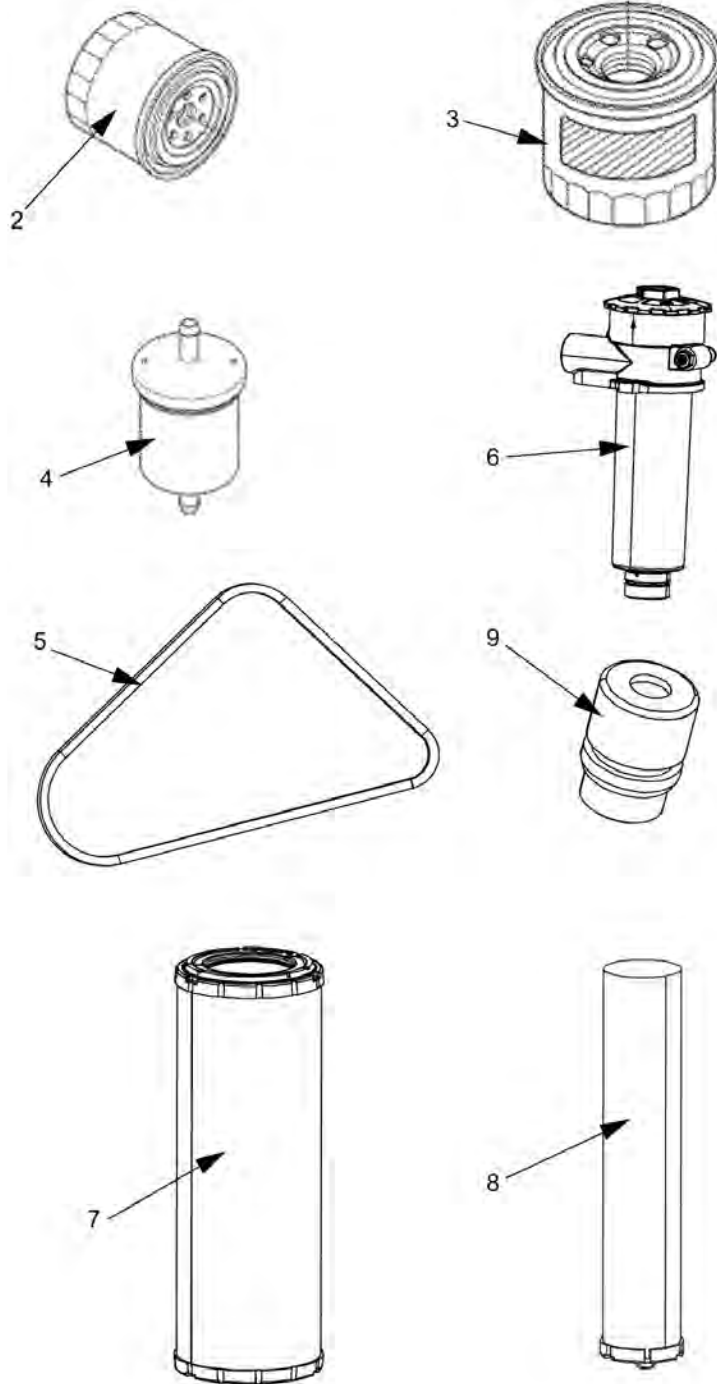
Item	Part No.	Name	Qty	L	SN INFO
0	-	Service kits	1		
0	-	Repair kits	1		
10	-	Frame	1		
20	-	Drum / Wheels	1		
30	-	Engine room	1		
50	-	Hydraulic system	1		
60	-	Electric equipment	1		
70	-	Drivers platform	1		
80	-	Decals	1		
91	-	Optional equipment	1		

Service kits 4812156265 Service kit 50h



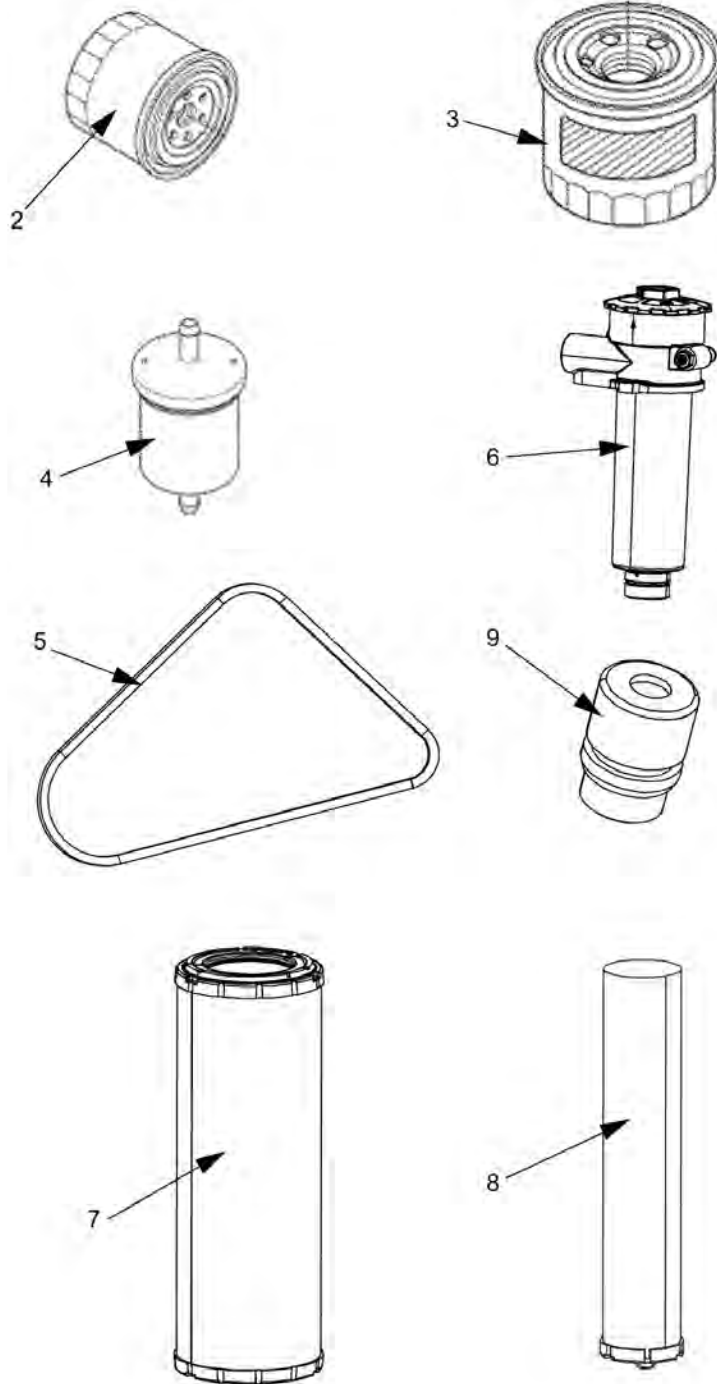
Item	Part No.	Name	Qty	L	SN INFO
0	4812156265	Service kit 50h	1		
2	4812156259	Engine oil filter element	1		
3	4812156263	Fuel filter element	1		
4	4812156264	Pre-fuel filter element	1		
6	4812113328	Hydraulic oil filter element	1		

Service kits 4812159563 Service kit 50h Plus



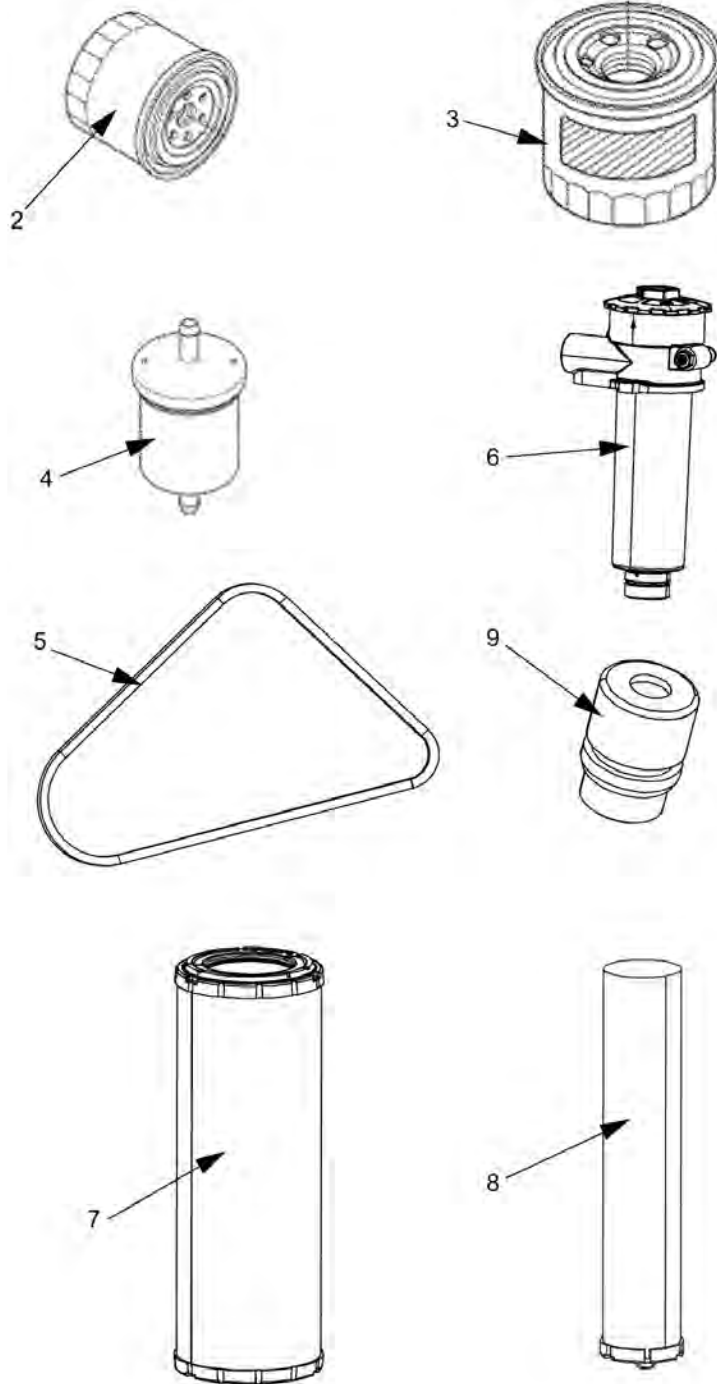
Item	Part No.	Name	Qty	L	SN INFO
0	4812159563	Service kit 50h Plus			
2	4812156259	Engine oil filter element	1		
3	4812156263	Fuel filter element	1		
4	4812156264	Pre-fuel filter element	1		
6	4812113328	Hydraulic oil filter element	1		
10	5580020624	Engine oil 100 / 5 ltr.	2		
11	4812030096	Dynapac Roller Grease	1		

Service kits 4812156288 Service kit 250 / 750 h



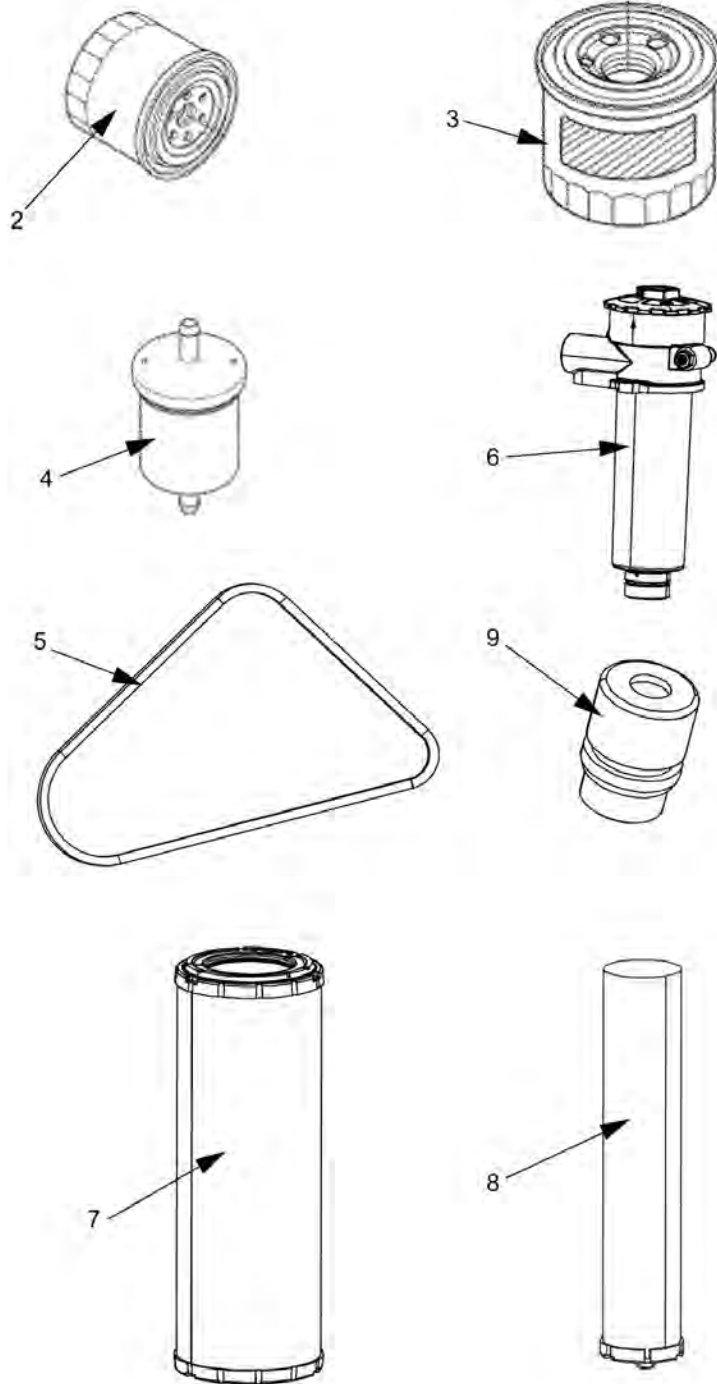
Item	Part No.	Name	Qty	L	SN INFO
0	4812156288	Service kit 250 / 750 h	1		
2	4812156259	Engine oil filter element	1		

Service kits 4812159564 Service kit 250/750h Plus



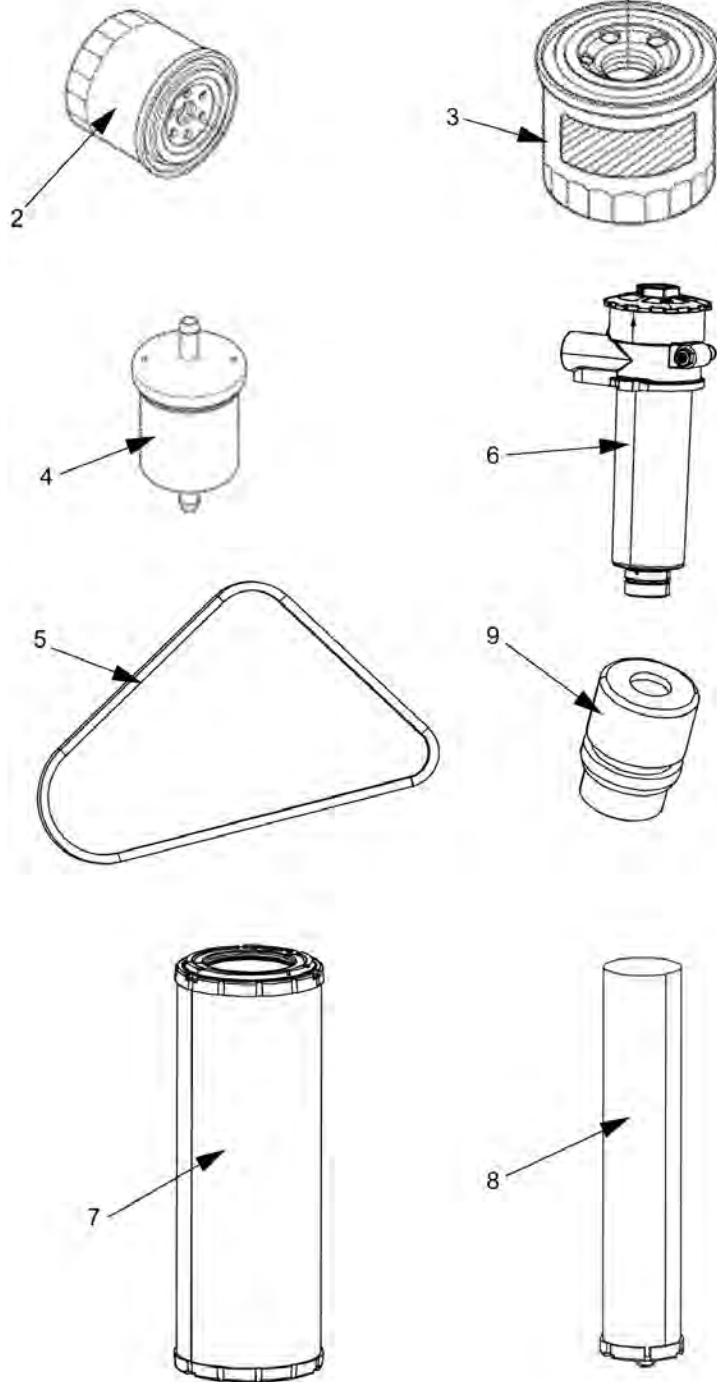
Item	Part No.	Name	Qty	L	SN INFO
0	4812159564	Service kit 250/750h Plus			
2	4812156259	Engine oil filter element	1		
10	5580020624	Engine oil 100 / 5 ltr.	2		

Service kits 4812156266 Service kit 500h



Item	Part No.	Name	Qty	L	SN INFO
0	4812156266	Service kit 500h	1		
2	4812156259	Engine oil filter element	1		
3	4812156263	Fuel filter element	1		
4	4812156264	Pre-fuel filter element	1		
5	4812156260	V-belt	1		

Service kits 4812159565 Service kit 500h Plus



Item	Part No.	Name	Qty	L	SN INFO
0	4812159565	Service kit 500h Plus			
2	4812156259	Engine oil filter element	1		
3	4812156263	Fuel filter element	1		
4	4812156264	Pre-fuel filter element	1		
5	4812156260	V-belt	1		
10	4812030096	Dynapac Roller Grease	1		

Service kits 4812156267 Service kit 1000 h

