

Vibratory roller CA610PD

Atlas Copco

Spare Parts Catalogue 4812273245

Valid from serial number:
10000128x0C000568 -



Diesel engines:
Cummins 6BTAA-5.9

Published catalogue issues valid for these rollers:

Catalogue	Issue date	Valid for serial numbers
4812273245	2014-07	10000128x0C000568; 003981 -

RESERVDELSBESTÄLLNING

Följande uppgifter ska lämnas vid beställning av reservdelar för att undvika leveransfel:

1. Maskintyp.
2. Vältens serienummer.
3. Antal av önskad reservdel.
4. Reserdelens artikelnummer.
5. Reservdelens benämning.
6. Måttuppgifter vid beställning av metervara.

ERSATZTEILBESTELLUNG

Zur Vermeidung von Fehllieferungen sind bei der Bestellung von Ersatzteilen folgende Angaben zu machen:

1. Maschinentyp.
2. Herstellungsnummer.
3. Bestellmenge. (Quantity)
4. Ersatzteilnummer. (Part N°)
5. Ersatzteilbenennung. (Denomination)
6. Massangaben bei Bestellung von Meterware.

PEDIDO DE RECAMBIOS

Para evitar errores en las entregas, deberán indicarse los siguientes datos al hacer un pedido de recambios:

1. Tipo de máquina.
2. Número de serie.
3. Cantidad de piezas deseadas. (Quantity)
4. Número de artículo de la pieza de recambio. (Part N°)
5. Denominación de la pieza. (Denomination)
6. Indíquese la medida al solicitar un artículo que se expide por metros.

ORDERING SPARE PARTS

To avoid errors in delivery, please give the following information when ordering spare parts:

1. Type of machine.
2. Roller serial number.
3. Quantity required.
4. Part number.
5. Parts denomination.
6. Dimensions when ordering per length.

ORDINI DI RICAMBI

Per evitare errori nelle consegne di ricambi, Vi preghiamo di comunicarci le seguenti informazioni al momento dell'ordinazione:

1. Tipo di macchina.
2. Numero di serie della macchina.
3. Quantità dei pezzi desiderati. (Quantity)
4. Numero di codice del pezzo. (Part N°)
5. Descrizione del pezzo di ricambio. (Denomination)
6. Misura, in caso di ordine per metro.

COMMANDE DE PIÉCES DE RECHANGE

Les indications suivantes doivent être fournies lors de la commande de pièces de rechange, afin d'éviter toute erreur de livraison:

1. Type de machine.
2. Numéro de série.
3. Quantité désirée de pièce de rechange. (Quantity)
4. Numéro de la pièce de rechange. (Part N°)
5. Dénomination de la pièce de rechange. (Denomination)
6. Longueur en cas de commande au mètre.

YOUR AGENT/DEALER:

Text pages

The text pages is structured as the picture on the right.

1. This is the remarks for specific items and the descriptions of the remarks is at the bottom of the parts list.

2. Parts indicated by a dot and moved to the right are included when buying the assembled unit above.

3. Spare parts Class code for a specific part.

"A" = 3 or more units/year,
 "B" = 2 or more units/year,
 "C" = 1 or more units/year,
 "D" = at least 1 unit/year.

DYNAPAC <small>Part of the Atlas Copco Group</small>		Dynapac Compaction Equipment AB		
Engine cover, left				
Item	Part No	Rem Qty	Description	Code
	4700396684	1	Engine cover, cpl	
1	4700396607	1	. Cover	③
2	4700902866	1	. Lock	A
	4700902866	1	. Key Marked "455"	
3	4700624020	4	. Blind rivet	
4	4700379976	①	. Cover	
5	4700792325	10	. Blind rivet	
7	4700202057	B	1XL Edge trim	D
8	4700902166	C	1XL Edge trim	D
9	4700903953	D	1XL Edge trim	D
11	4700390365	1	. Spacer	
12	4700924875	2	. Screw	
13	4700904228	2	. Washer 6,4x12x1,5	C
14	4700586002	2	. Lock nut M6 -8	C
15	4700390545	1	. Strap	
16	4700904735	1	. Washer	C
17	4700500059	1	. Screw	
①	B)	L=0.625m		
	C)	L=0.6m		
	D)	L=1.2m		

Changes

PARTS INFO	SERVICE INFO	GROUP	PAGE	NOTES

Notes

TABLE OF CONTENTS		Page
CA610PD T2, SN 10000128x 0C000568 -		2
Service kits		4
4700945652	Service kit 50 h	6
4812157268	Service kit 250/750 h	8
4812157269	Service kit 500h	10
4812157270	Service kit 1000h	12
Repair kits		14
4700938562	Steering hitch kit	16
	Eccentric shaft kit	18
4700938891	Drum rotation kit	20
4700938883	Shock absorber kit, drum	22
4700940662	F/R control button kit	24
Frame		26
	Frames	28
	Scrapers	30
	Hitch	32
	Structure For cab, since SN C003981	34
Drum		38
	Drum	40
	Drum cartridge Vibration side	42
	Drum cartridge Drive side	44
	Drum gear	46
Engine		48
	Engine Cummins 6BTAA-5.9	50
	Cooling system	54
	Radiator Up to 0C000187	58
	Radiator Up to 0C000187	58
	Combustion air system	60
	Fuel system	62
	Exhaust system Up to 0C000365	64
	Exhaust system From 0C000366	66
Transmission		68
	Rear axle and wheels	70
4700385100	Rear axle Limited slip	72
	Differential with limited slip	74
	Differential housing and brakes	76
	Planet gear	78
4700383856	Rear axle No-Spin, Option	80

TABLE OF CONTENTS		Page
Differential with no-spin		82
Differential housing and brakes		84
Planet gear		86
Hydraulic system		88
Propulsion system, Front		90
4700389564 Hydraulic motor		92
End cap		94
Propulsion system, Rear		96
4700380830 Propulsion pump		100
4700373361 Propulsion motor		106
Vibration system		110
4700393695 Vibration pump Up to ECN 11301		112
Rotating group, cpl		114
4700936609 Valve block, cpl		116
4700380146 Hydraulic motor, vibration		118
Steering system		120
4700392027 Steering cylinder		122
4700376000 Steering valve		124
Brake system		126
Hydraulic oil tank		128
Central test panel hydraulic Option		130
Electrical equipment		132
Electric system		134
Control panel		136
Working lights Option		138
Rotating beacon Option		140
Drivers platform		142
Drivers platform		144
Control panel		146
Throttle control		148
Forward and reverse control		150
Steering column		152
Canopy Option		154
Rops and fops		156
Cab mounting		158
Cab Screens		160
Cab Door, left side		164
Cab Interior rear mirror		166
Cab Exterior, rear mirror		168
Wiper arm with blade, front		170
Cab Work light		172
Cab Electric		174

TABLE OF CONTENTS	Page
Decals	176
Decals	178
Decals	180
Decals	182
Standard equipment	184
Standard equipment	186
Optional equipment	188
Tool equipment	190
4812265746 Fire extinguisher assy.	192
Heater Simple cab	194
4700379394 Heater box	196
4812269767 Prooftyre option	198
4812270033 Wheel with all-weather prooftyre Liquid filled	200
4812270032 Wheel with all-weather prooftyre	202
Air conditioner mount Since SN C000360	204
4812265833 Compressor cpl.	206
4812265842 Condensor	208
4812265845 Receiver drier	210
4812265847 Evaporimeter	212

CA610PD T2, SN 10000128x 0C000568 -



CA610PD T2, SN 10000128x 0C000568 -

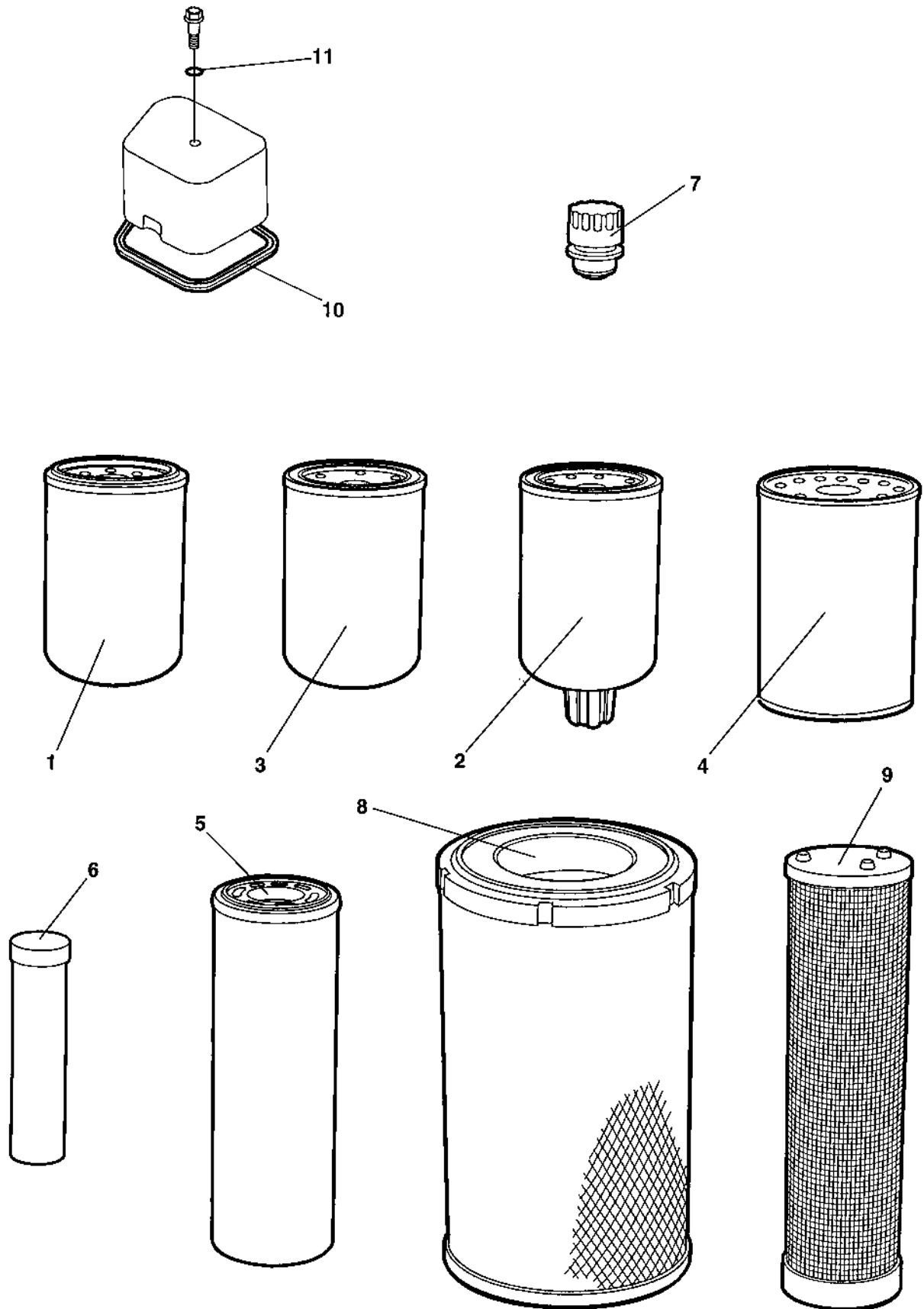
Item	Part No	Rem Qty	Description	Code
1			Service kits (Page 4)	
2			Repair kits (Page 14)	
10			Frame (Page 26)	
20			Drum (Page 38)	
30			Engine (Page 48)	
40			Transmission (Page 68)	
50			Hydraulic system (Page 88)	
60			Electrical equipment (Page 132)	
70			Drivers platform (Page 142)	
80			Decals (Page 176)	
90			Standard equipment (Page 184)	
91			Optional equipment (Page 188)	

Service kits

Service kits

Item	Part No	Rem Qty	Description	Code
1	4700945652		Service kit 50 h (Page 6)	
2	4812157268		Service kit 250/750 h (Page 8)	
4	4812157269		Service kit 500h (Page 10)	
6	4812157270		Service kit 1000h (Page 12)	

4700945652 Service kit 50 h

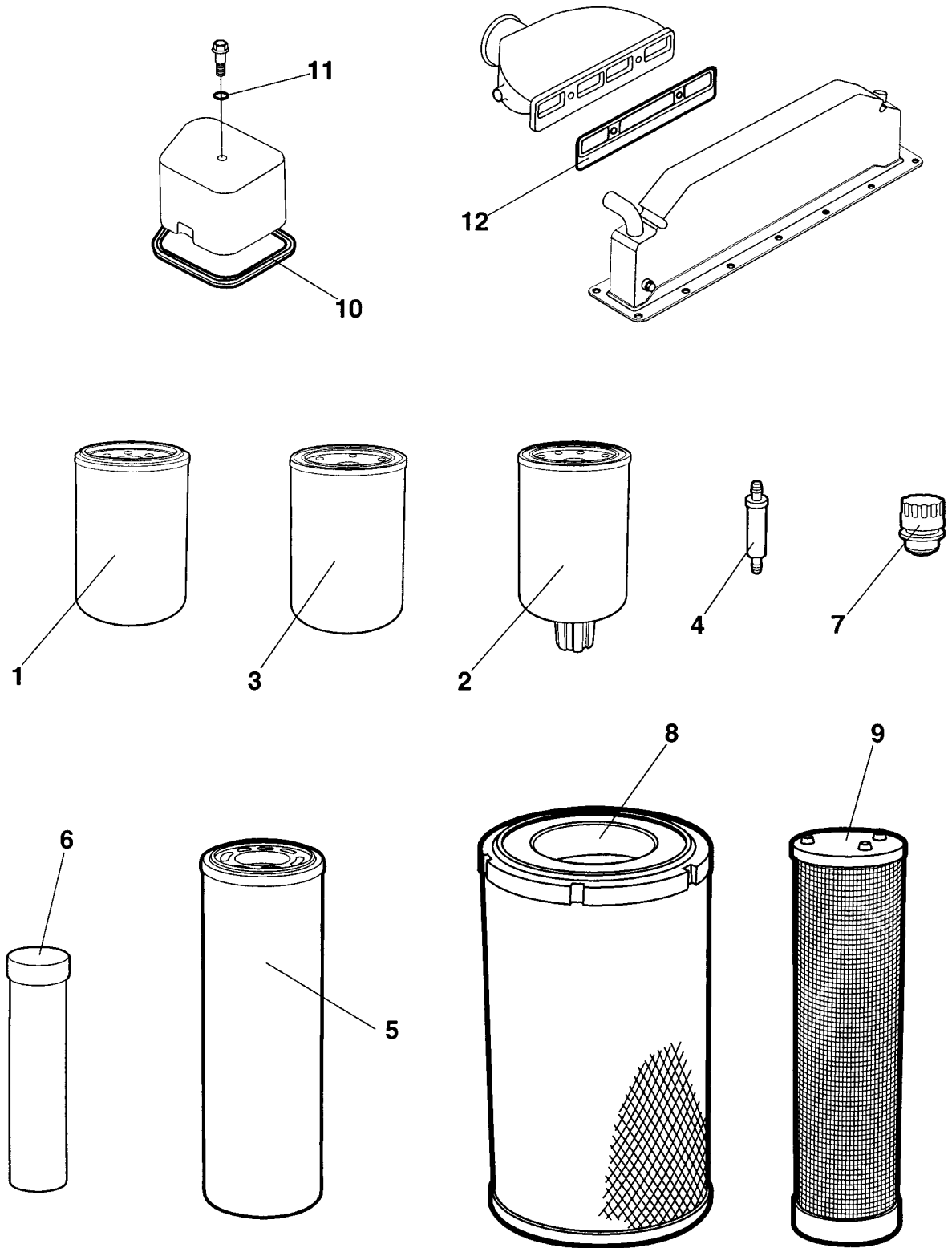


4700945652 Service kit 50 h

Item	Part No	Rem Qty	Description	Code
	4700945652		Service kit 50 h (Page 6)	
1	4700939503	1	Oil filter element	A
2	4700939372	1	Fuel filter element	A
4	4700939404	1	Pre-fuel filter element	A
5	4700372229	1	Hydraulic oil filter element	A

A)

4812157268 Service kit 250/750 h

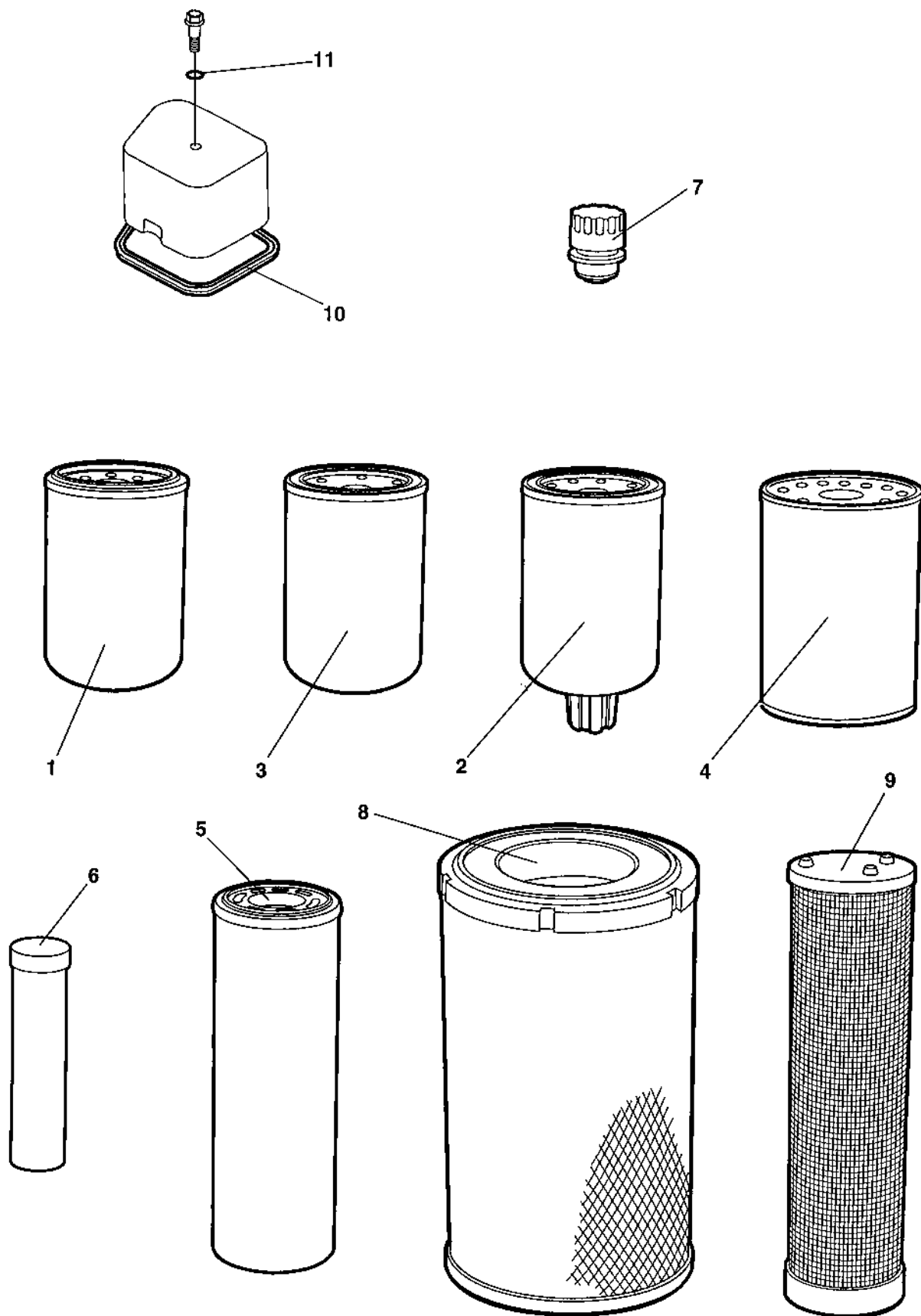


4812157268 Service kit 250/750 h

Item	Part No	Rem Qty	Description	Code
	4812157268		Service kit 250/750 h (Page 8)	
1	4700939503	1	Oil filter element	A

A)

4812157269 Service kit 500h





4812157269 Service kit 500h

Item	Part No	Rem Qty	Description	Code
	4812157269		Service kit 500h (Page 10)	
1	4700939503	1	Oil filter element	A
3	4700939372	1	Fuel filter element	A
4	4700939404	1	Pre-fuel filter element	A
8	4700394690	1	Air filter element, main	A

- 1) With water separator.
- A)