

Vibratory roller CA510PD

Atlas Copco

Spare Parts Catalogue

SCA510PD-CN1EN1
4812270319

Valid from serial number:
10000128x0C003788,



Diesel engines:
Cummins 6BTAA-5.9

Published catalogue issues valid for these rollers:

<i>Catalogue</i>	<i>Issue date</i>	<i>Valid for serial numbers</i>
4812270319	2014-05	10000128x0C003788

RESERVDELSBESTÄLLNING

Följande uppgifter ska lämnas vid beställning av reservdelar för att undvika leveransfel:

1. Maskintyp.
2. Vältens serienummer.
3. Antal av önskad reservdel.
4. Reserdelens artikelnummer.
5. Reservdelens benämning.
6. Måttuppgifter vid beställning av metervara.

ORDERING SPARE PARTS

To avoid errors in delivery, please give the following information when ordering spare parts:

1. Type of machine.
2. Roller serial number.
3. Quantity required.
4. Part number.
5. Parts denomination.
6. Dimensions when ordering per length.

ERSATZTEILBESTELLUNG

Zur Vermeidung von Fehllieferungen sind bei der Bestellung von Ersatzteilen folgende Angaben zu machen:

1. Maschinentyp.
2. Herstellungsnummer.
3. Bestellmenge. (Quantity)
4. Ersatzteilnummer. (Part N°)
5. Ersatzteilbenennung. (Denomination)
6. Massangaben bei Bestellung von Meterware.

ORDINI DI RICAMBI

Per evitare errori nelle consegne di ricambi, Vi preghiamo di comunicarci le seguenti informazioni al momento dell'ordinazione:

1. Tipo di macchina.
2. Numero di serie della macchina.
3. Quantità dei pezzi desiderati. (Quantity)
4. Numero di codice del pezzo. (Part N°)
5. Descrizione del pezzo di ricambio. (Denomination)
6. Misura, in caso di ordine per metro.

PEDIDO DE RECAMBIOS

Para evitar errores en las entregas, deberán indicarse los siguientes datos al hacer un pedido de recambios:

1. Tipo de máquina.
2. Número de serie.
3. Cantidad de piezas deseadas. (Quantity)
4. Número de artículo de la pieza de recambio. (Part N°)
5. Denominación de la pieza. (Denomination)
6. Indíquese la medida al solicitar un artículo que se expide por metros.

COMMANDE DE PIECES DE RECHANGE

Les indications suivantes doivent être fournies lors de la commande de pièces de rechange, afin d'éviter toute erreur de livraison:

1. Type de machine.
2. Numéro de série.
3. Quantité désirée de pièce de rechange. (Quantity)
4. Numéro de la pièce de rechange. (Part N°)
5. Dénomination de la pièce de rechange. (Denomination)
6. Longueur en cas de commande au mètre.

YOUR AGENT/DEALER:

Text pages

The text pages is structured as the picture on the right.

1. This is the remarks for specific items and the descriptions of the remarks is at the bottom of the parts list.

2. Parts indicated by a dot and moved to the right are included when buying the assembled unit above.

3. Spare parts Class code for a specific part.
 "A" = 3 or more units/year,
 "B" = 2 or more units/year,
 "C" = 1 or more units/year,
 "D" = at least 1 unit/year.

DYNAPAC <small>Part of the Atlas Copco Group</small>		Dynapac Compaction Equipment AB		
Engine cover, left				
Item	Part No	Rem Qty	Description	Code
	4700396684	1	Engine cover, cpl	
1	4700396607	1	. Cover	3
2	4700902866	1	. Lock	
	4700902866	1	. Key Marked "455"	A
3	4700624020	4	. Blind rivet	
4	4700379976	1	. Cover	
5	4700792325	10	. Blind rivet	
7	4700202057	B	1XL . Edge trim	D
8	4700902166	C	1XL . Edge trim	D
9	4700903953	D	1XL . Edge trim	D
11	4700390365	1	. Spacer	
12	4700924875	2	. Screw	
13	4700904228	2	. Washer 6,4x12x1,5	C
14	4700586002	2	. Lock nut M6 -8	C
15	4700390545	1	. Strap	
16	4700904735	1	. Washer	C
17	4700500059	1	. Screw	

1	B) L=0.625m
	C) L=0.6m
	D) L=1.2m

Changes

PARTS INFO	SERVICE INFO	GROUP	PAGE	NOTES

Notes

TABLE OF CONTENTS	Page
CA510PD SN 10000128x 0C003788 -	2
Service kits	4
4700945652 Service kit 50 h	6
4812157268 Service kit 250/750 h	8
4812157269 Service kit 500h	10
4812157270 Service kit 1000h	12
Repair kits	14
4700938562 Steering hitch kit	16
Eccentric shaft kit	18
4700938891 Drum rotation kit	20
4700938883 Shock absorber kit, drum	22
4700940662 F/R control button kit	24
Frame	26
Frames	28
Scrapers	30
Hitch	32
Structure	34
Drum	38
Drum	40
Drum cartridge Vibration side	42
Drum cartridge Drive side	44
Drum gear	46
Engine	48
Engine Cummins 6BTAA-5.9	50
Cooling system	54
Combustion air system	58
Fuel system	60
Exhaust system	62
Transmission	64
Rear axle and wheels	66
4700385100 Rear axle Limited slip	68
Differential with limited slip	70
Differential housing and brakes	72
Planet gear	74
4700383856 Rear axle No-Spin, Option	76
Differential with no-spin	78
Differential housing and brakes	80
Planet gear	82

TABLE OF CONTENTS		Page
Hydraulic system		84
Propulsion system, Front		86
4700389564 Hydraulic motor		88
End cap		90
Propulsion system, Rear		92
4700380830 Propulsion pump		96
4700373361 Propulsion motor		102
Vibration system		106
4700380146 Hydraulic motor, vibration		108
Steering system		110
4700392027 Steering cylinder		112
4700376000 Steering valve		114
Brake system		116
Hydraulic oil tank		118
Central test panel hydraulic Option		120
Electrical equipment		122
Electric system		124
Control panel		126
Working lights Option		128
Rotating beacon Option		130
Drivers platform		132
Drivers platform		134
Control panel		136
Throttle control		138
Forward and reverse control		140
Steering column		142
Canopy Option		144
Rops and fops		146
Cab mounting		148
Cab Screens		150
Cab Door, left side		154
Cab Interior rear mirror		156
Cab Exterior, rear mirror		158
Wiper arm with blade, front		160
Cab Work light		162
Cab Electric		164
Decals		166
Decals		168
Decals		170
Decals		172

TABLE OF CONTENTS		Page
Standard equipment		174
Standard equipment		176
Optional equipment		178
Tool equipment		180
Heater Simple cab		182
4700379394 Heater box		184
Air conditioner assembly, simple cab		186
Air conditioner and heater unit		190
4700383413 Condensor, cpl		192

CA510PD SN 10000128x 0C003788 -



CA510PD SN 10000128x 0C003788 -

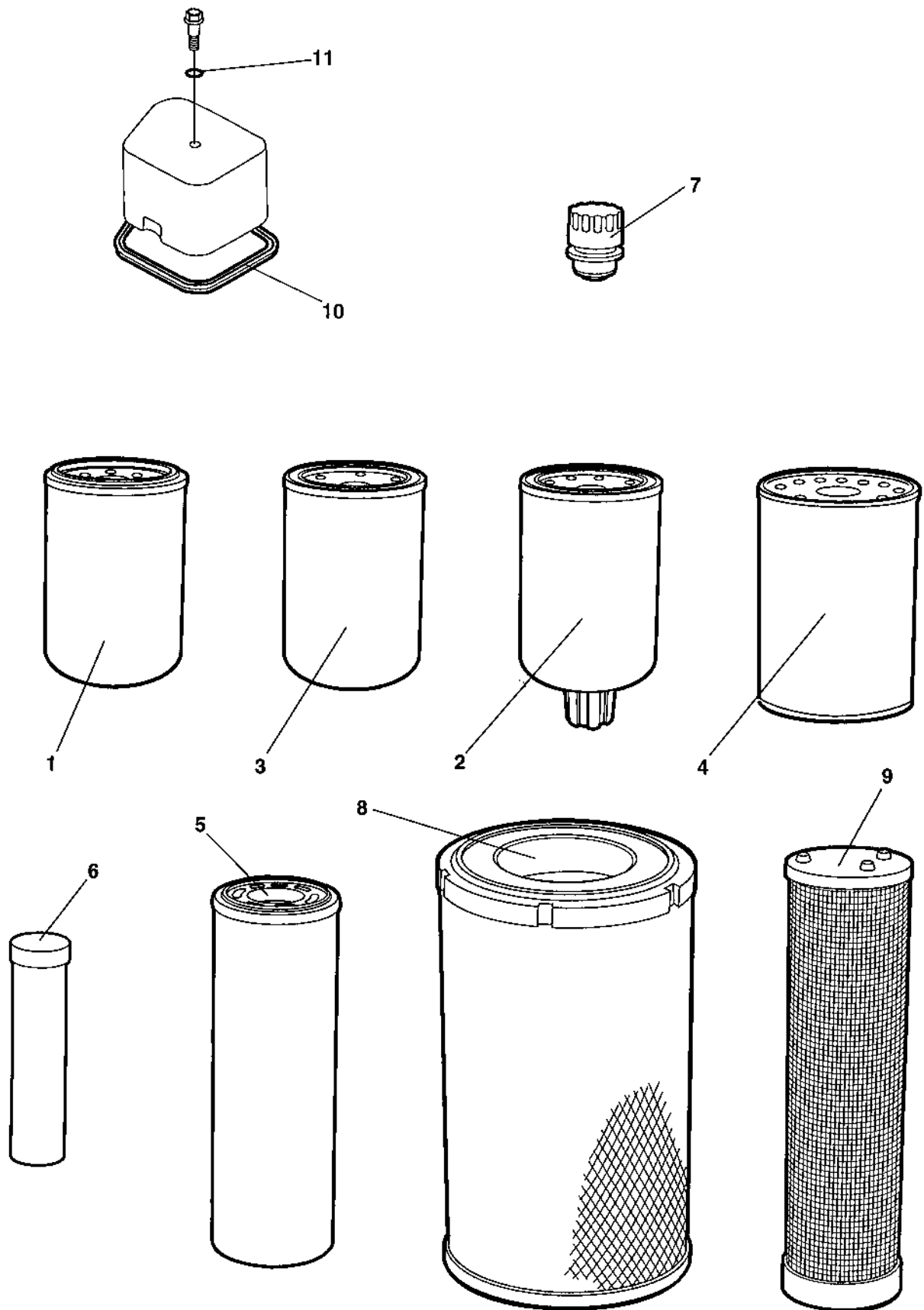
Item	Part No	Rem Qty	Description	Code
1			Service kits (Page 4)	
2			Repair kits (Page 14)	
10			Frame (Page 26)	
20			Drum (Page 38)	
30			Engine (Page 48)	
40			Transmission (Page 64)	
50			Hydraulic system (Page 84)	
60			Electrical equipment (Page 122)	
70			Drivers platform (Page 132)	
80			Decals (Page 166)	
90			Standard equipment (Page 174)	
91			Optional equipment (Page 178)	

Service kits

Service kits

Item	Part No	Rem Qty	Description	Code
1	4700945652		Service kit 50 h (Page 6)	
2	4812157268		Service kit 250/750 h (Page 8)	
4	4812157269		Service kit 500h (Page 10)	
6	4812157270		Service kit 1000h (Page 12)	

4700945652 Service kit 50 h

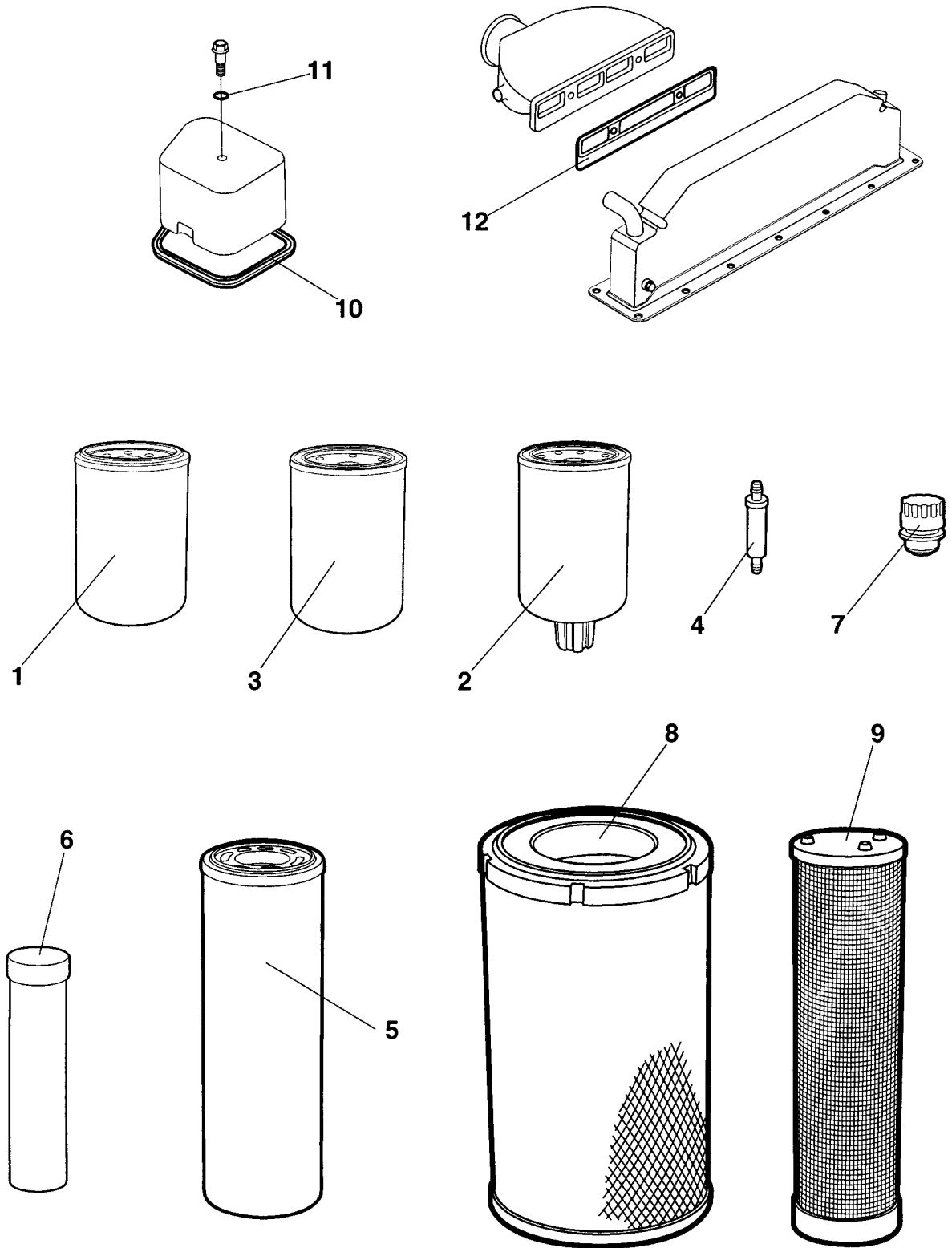


4700945652 Service kit 50 h

Item	Part No	Rem Qty	Description	Code
	4700945652		Service kit 50 h (Page 6)	
1	4700939503	1	Oil filter element	A
2	4700939372	1	Fuel filter element	A
4	4700939404	1	Pre-fuel filter element	A
5	4700372229	1	Hydraulic oil filter element	A

A)

4812157268 Service kit 250/750 h

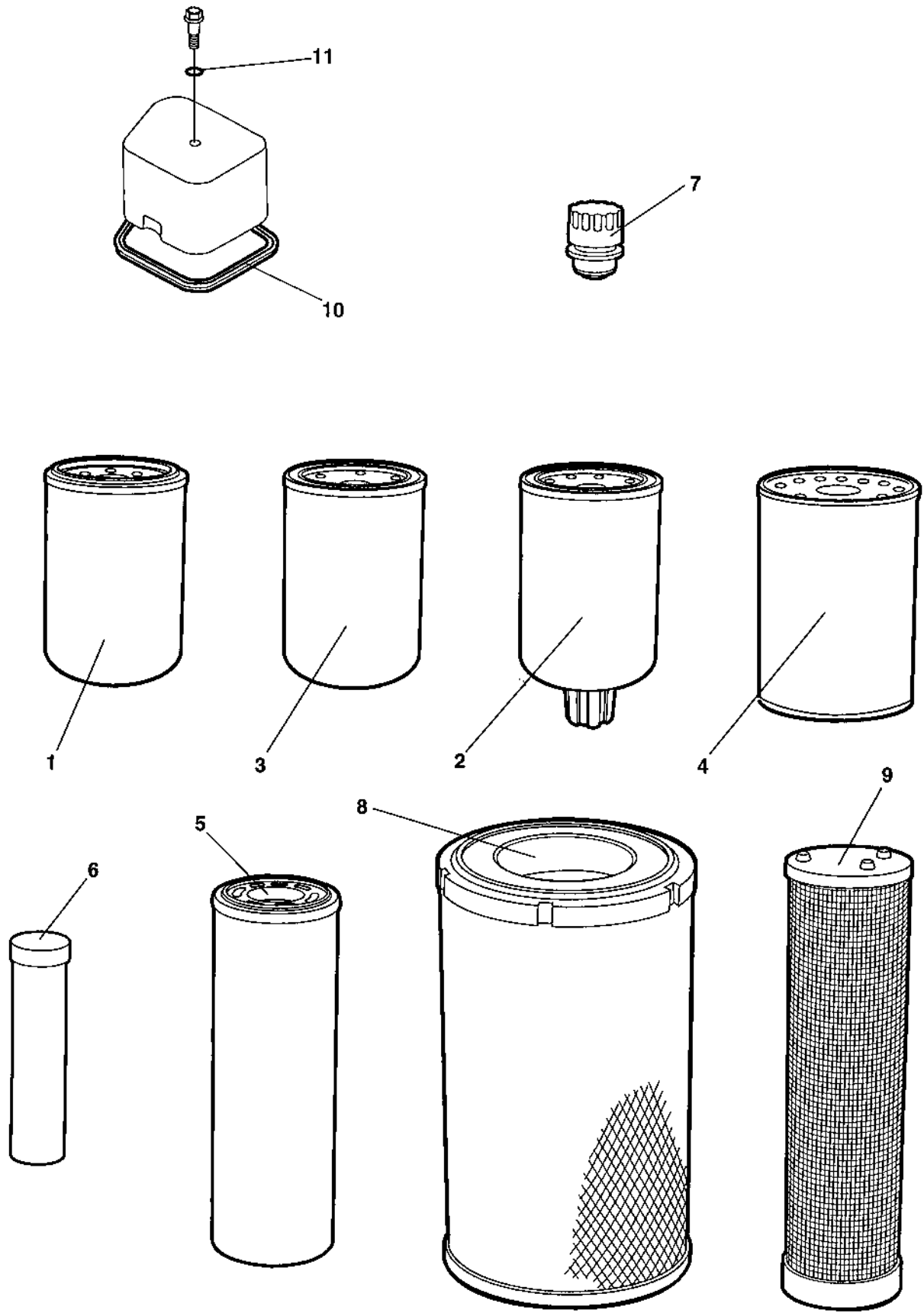


4812157268 Service kit 250/750 h

Item	Part No	Rem Qty	Description	Code
	4812157268		Service kit 250/750 h (Page 8)	
1	4700939503	1	Oil filter element	A

A)

4812157269 Service kit 500h





4812157269 Service kit 500h

Item	Part No	Rem Qty	Description	Code
	4812157269		Service kit 500h (Page 10)	
1	4700939503	1	Oil filter element	A
3	4700939372	1	Fuel filter element	A
4	4700939404	1	Pre-fuel filter element	A
8	4700394690	1	Air filter element, main	A

1) With water separator.

A)