

# PL500

---

## Spare parts list

### Compact planers

PL500 s/n 10000902T0C004234-

Engine: Cummins QSB4.5



## **General information**

Use only authorized parts. Any damage or malfunction caused by the use of unauthorized parts is not covered by Warranty or Product Liability. Any unauthorized use or copying of the contents or any part thereof is prohibited. This applies in particular to trademarks, model denominations, part numbers, and drawings.

### **Instructions for use**

This spare parts list contains no safety regulations and is merely intended to assist in the ordering of spare parts.

For information about operating, servicing, or repairing, the relevant Safety and operating instructions must be consulted at all costs.

Please observe the safety instructions listed in the relevant Safety and operating instructions!

## Contents

PL500 s/n 10000902T0C004234- .....	1
<b>Service kits PL500</b>	
Service kits PL500 .....	3
D299000869 Service kit 500 Hours .....	5
D299000870 Service kit 1000 Hours .....	7
<b>Frame PL500</b>	
Frame PL500 .....	9
<b>Frame</b>	
Frame .....	11
Main frame 2 .....	13
<b>Covering</b>	
Covering .....	15
Engine hood, upper part .....	17
503-01380A Engine hood, left .....	19
503-01390A Engine hood, right .....	21
Grid .....	23
<b>Frame</b>	
Frame .....	25
Main frame 2 .....	See page 13
Dipstick, compl. ....	27
Step .....	29
<b>Milling unit PL500</b>	
Milling unit PL500 .....	31
<b>Cylinder function Milling</b>	
Cylinder function Milling .....	33
Main control block .....	37
D965155803 Hydraulic cylinder .....	39
<b>Milling section</b>	
Milling section .....	41
<b>Electric components Scraper</b>	
Electric components Scraper .....	45
Scraper, safety sensors .....	47
Rubber cover .....	49
<b>Hydraulic downholder</b>	
Hydraulic downholder .....	51
Hydraulic components .....	53
D965155803 Hydraulic cylinder .....	See page 39
D951088001 Angular gear .....	55
<b>Milling drums</b>	
Milling drums .....	57
milling drum KPF 201 .....	59
milling drum C10 HD .....	61
Fine milling drum C10HD .....	63
<b>milling drum C10 Micro</b>	
milling drum C10 Micro .....	65
4812001151 Micro fine milling drum .....	67

<b>Scraper plate</b>	
Scraper plate	69
D965080170 Hydraulic cylinder	71
Bit tools	73
Belt tensioner	75
D965155803 Hydraulic cylinder	See page 39
Scraper safety-catch	77
<b>Engine PL500</b>	
Engine PL500	79
<b>Engine</b>	
Engine	81
<b>Hydraulic components PL500TD</b>	
Hydraulic components PL500TD	84
<b>Clutch/Tensioner</b>	
Clutch/Tensioner	87
4812000255 Steering block	90
<b>Cylinder function Engine</b>	
Cylinder function Engine	93
Main control block	See page 37
<b>Pump drive 4 Wheel</b>	
Pump drive 4 Wheel	95
D963176346 Flow divider	99
<b>Pump drive 3 wheel</b>	
Pump drive 3 wheel	101
D963176352 Flow divider	105
Engine parts	107
Belt protection	109
D933538306 Clutch	111
Engine suspension	113
<b>Pump drive</b>	
Pump drive	115
Pump console	117
<b>D967004127 Hydraulic pump see chapter Engine</b>	
D967004127 Hydraulic pump see chapter Engine	119
Rotary group, righthand rotation	121
Control, hydraulic	123
Port plate with valves	125
Internal gear pump	127
Control module	129
Fuel equipment	131
Air filter unit	133
Silencer	135
<b>Cooler unit</b>	
Cooler unit	137
<b>Hydraulic components</b>	
Hydraulic components	141
Fan / Steering	143
Return line	147

D503263700 Cooler holder	149
D950585307 Cooler	151
Oil drain	153

**Drive system PL500**

Drive system PL500	155
--------------------	-----

**Rear wheels module**

Rear wheels module	157
--------------------	-----

**Hydraulic components Wheels module**

Hydraulic components Wheels module	159
------------------------------------	-----

**Cylinder function Rear Leg**

Cylinder function Rear Leg	161
Main control block	See page 37

**Hydraulic foldable right rear leg**

Hydraulic foldable right rear leg	163
-----------------------------------	-----

**Hydraulic components Foldable right rear leg**

Hydraulic components Foldable right rear leg	165
Control block Swivelling leg	167
Drive, chassis leg right 4 Wheel	169

**Drive, chassis leg left 4 Wheel**

Drive, chassis leg left 4 Wheel	171
D963176346 Flow divider	See page 99
Steering, chassis leg 4 Wheel	173

**Drive, chassis leg left 3 wheel**

Drive, chassis leg left 3 wheel	175
D963176352 Flow divider	See page 105
Drive, chassis leg right 3 wheel	177
Steering, chassis leg 3 wheel	179
Chassis leg, right	183
Chassis leg, left	187

**Front wheels module 3 Wheel**

Front wheels module 3 Wheel	191
-----------------------------	-----

**Hydraulic components 3 wheel**

Hydraulic components 3 wheel	193
Steering, front axle 3 wheel	195

**Drive, front wheel 3 wheel**

Drive, front wheel 3 wheel	197
D963176352 Flow divider	See page 105

**Drive, Flow divider 3 wheel**

Drive, Flow divider 3 wheel	199
D963176352 Flow divider	See page 105
Steering angle indication	201

**Front wheels module 4 wheel**

Front wheels module 4 wheel	203
-----------------------------	-----

**Hydraulic components 4 wheel**

Hydraulic components 4 wheel	205
------------------------------	-----

<b>Drive, Front axle 4 Wheel</b>	
Drive, Front axle 4 Wheel	207
<b>Front wheel Flow divider</b>	
Front wheel Flow divider	211
D963176346 Flow divider	See page 99
D963176346 Flow divider	See page 99
<b>Steering, front axle 4 wheel</b>	
Steering, front axle 4 wheel	213
4812001370 Hydraulic cylinder Pendelum	215
<b>Front wheel, Parallell axle 4 Wheel</b>	
Front wheel, Parallell axle 4 Wheel	217
Wheel support, right	221
Wheel support, left	223
<b>Front wheel, Pendulum axle 4 Wheel</b>	
Front wheel, Pendulum axle 4 Wheel	225
4812001370 Hydraulic cylinder Pendelum	See page 215
4812001382 Wheel support, left	229
Wheel support, right	231
4812001037 Spacer 4 Wheel	233
<b>Water system PL500</b>	
Water system PL500	235
Water tank	237
Water pump assy	239
Nozzle holder	241
<b>Conveyor PL500</b>	
Conveyor PL500	243
<b>Hydraulic components Conveyor generell</b>	
Hydraulic components Conveyor generell	245
D967088023 Pump Conveyor function	249
Control block Conveyor	251
D963085401 Flow control valve compl.	253
<b>Conveyor 1000mm</b>	
Conveyor 1000mm	255
Conveyor 1000mm Hydraulic	257
<b>Conveyor 1000mm</b>	
Conveyor 1000mm	259
D966056099 Hydraulic motor	263
D503030116 Drive rotor with bearing	265
Universal joint	267
Conveyor lift device	269
<b>Conveyor 5500mm Rigid</b>	
Conveyor 5500mm Rigid	271
Hydraulic connection	273
<b>Conveyor 5500mm Rigid</b>	
Conveyor 5500mm Rigid	275
4812002195 Hydraulic cylinder	277
Universal joint	See page 267

**Conveyor 5500mm Foldable**

Conveyor 5500mm Foldable ..... 279  
Hydraulic connection ..... 281

**Conveyor 5500mm Foldable**

Conveyor 5500mm Foldable ..... 283  
4812002195 Hydraulic cylinder ..... See page 277  
Universal joint ..... See page 267

**Drivers platform PL500**

Drivers platform PL500 ..... 285

**Drivers platform Electrical components**

Drivers platform Electrical components ..... 287

**Console Operating panel**

Console Operating panel ..... 289  
Vandalism protection ..... 291  
Flap, compl. .... 293

**Operator desk**

Operator desk ..... 295  
Overview operating panel ..... 297  
Electrical components ..... 299  
Module holder ..... 301  
Steering control unit ..... 303

**Seat console, slidable**

Seat console, slidable ..... 305

**Driver seat**

Driver seat ..... 309  
D953420303 Driver seat ..... 311

**Ergonomics set**

Ergonomics set ..... 313  
Electrical components ..... 315

**Level gauge**

Level gauge ..... 317

**Level gauge, left side**

Level gauge, left side ..... 319  
D503242600 Hight scale, left compl. .... 321

**Level gauge, right side**

Level gauge, right side ..... 323  
Hight scale, right compl. .... 325

Levelling system Easy Level ..... 327

Main fuse holder ..... 329

**Battery bracket**

Battery bracket ..... 331  
Battery bracket ..... 333  
Console Levelling system ..... 335

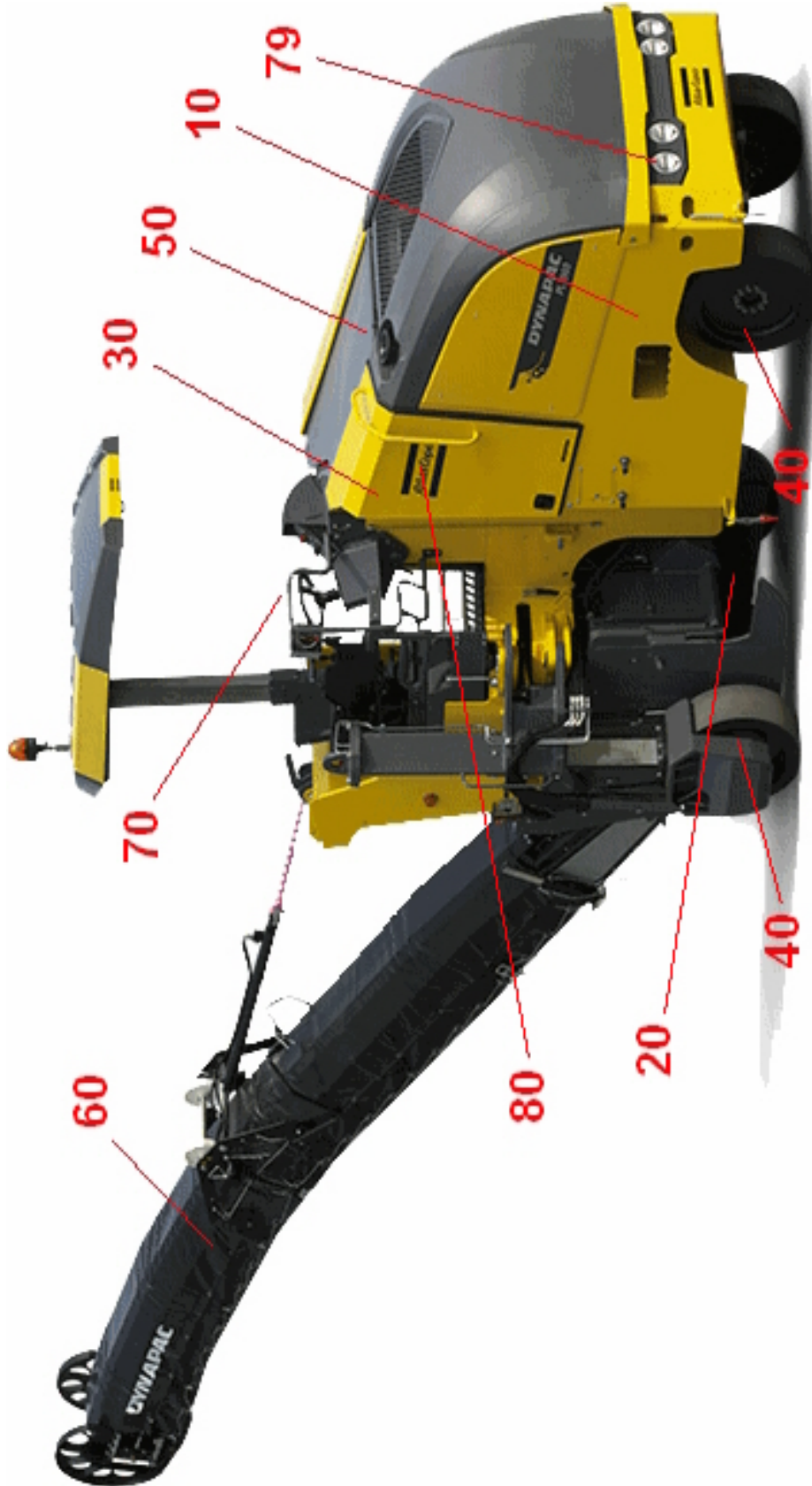
**Drivers platform Mechanical components**

Drivers platform Mechanical components ..... 337  
Step plate ..... 341

Mirror, compl. (Option)	343
Mirror, compl. (Option)	345
<b>Lightning PL500</b>	
Lightning PL500	347
Working lights	349
Rotating beacon (Option) Machine	351
Traffic lights	353
Lamp holder	355
Decals and instructions	357
<b>Accessories PL500</b>	
Accessories PL500	361
<b>Canopy</b>	
Canopy assy	363
Pillar canopy	365
<b>Canopy roof</b>	
Canopy Roof	367
Working light module	369
Compartment light LED module	371
Hydraulic Assy	373
4812115101 Hydraulic pump	375
Rotating beacon Canopy	377
<b>Sonic-Ski MOBA</b>	
Sonic-Ski MOBA	379
<b>D503-10220 Grade control</b>	
D503-10220 Grade control	381
D503-10230 Swivel device	383
4720007200 Height regulator holder, compl.	385
Cleaning kit	387
<b>Hydraulic hammer External hydraulic connection</b>	
Hydraulic hammer External hydraulic connection	389
<b>Hydraulic connection Hydraulic hammer</b>	
Hydraulic connection Hydraulic hammer	391
D967088023 Pump Conveyor function	See page 249
D963085401 Flow control valve compl.	See page 253
<b>Cutting wheel</b>	
Cutting wheel	393
4812001110 Water tube	395
Scraper plate-HARDOX Option	397
<b>Tools and accessories</b>	
Tools and accessories	399
D503200100 Tool kit	401
Appendix B:Parts Index	403



PL500 s/n 10000902T0C004234-



Refer to Parts Online for the most up to date information. The printed information might be outdated.

Wed Apr 01 19:50:42 MDT 2015

Item	Part No.	Name	Qty	L	SN INFO
Not Shown	PL500TD10020	Service kits PL500T/TD	1		
10	PL500TD10010	Frame PL500T/TD	1		
20	4812001589A	Milling unit PL500TD	1		
30	PL500TD10030	Engine PL500TD	1		
40	PL50010040	Drive system PL500T/TD	1		
50	D503290000A	Water system PL500T/TD	1		
60	PL50010060	Conveyor PL500T/TD	1		
70	PL50010070	Drivers platform PL500T/TD	1		
79	PL50010079	Lightning PL500T/TD	1		
80	D503300001	Decal	1		
90	4812117431A	Accessories PL500T/TD	1		

Refer to Parts Online for the most up to date information. The printed information might be outdated.

Wed Apr 01 19:50:42 MDT 2015

**Service kits PL500** Service kits PL500

NO EXPLODED VIEW  
AVAILABLE  
FOR THIS BOM

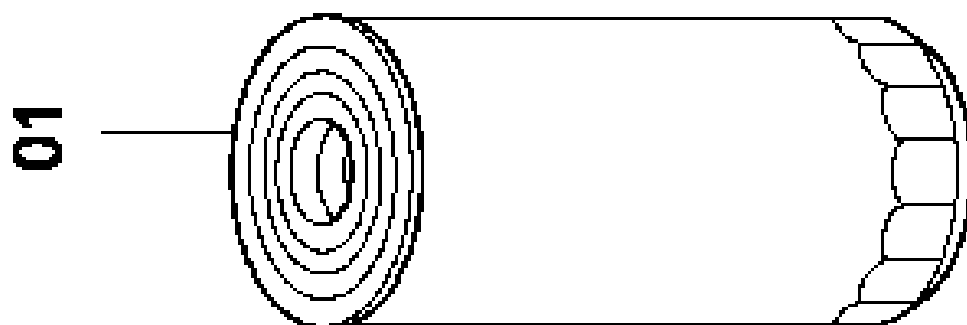
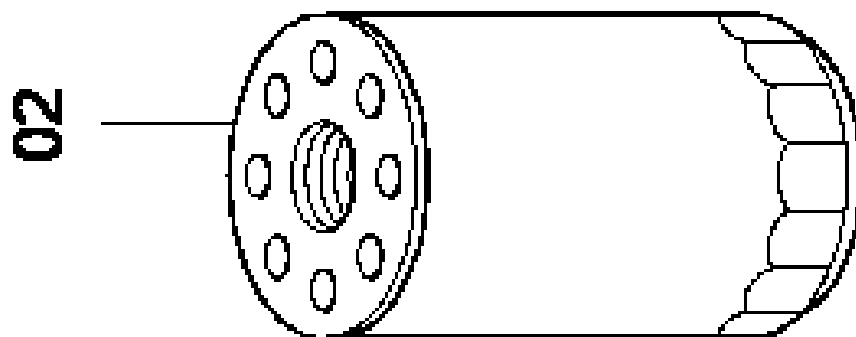
Item	Part No.	Name	Qty	L	SN INFO
Not Shown	D299000869	Service kit 500 Hours			
Not Shown	D299000870	Service kit 1000 Hours			

---

Refer to Parts Online for the most up to date information. The printed information might be outdated.

Wed Apr 01 19:50:45 MDT 2015

**Service kits PL500** D299000869 Service kit 500 Hours



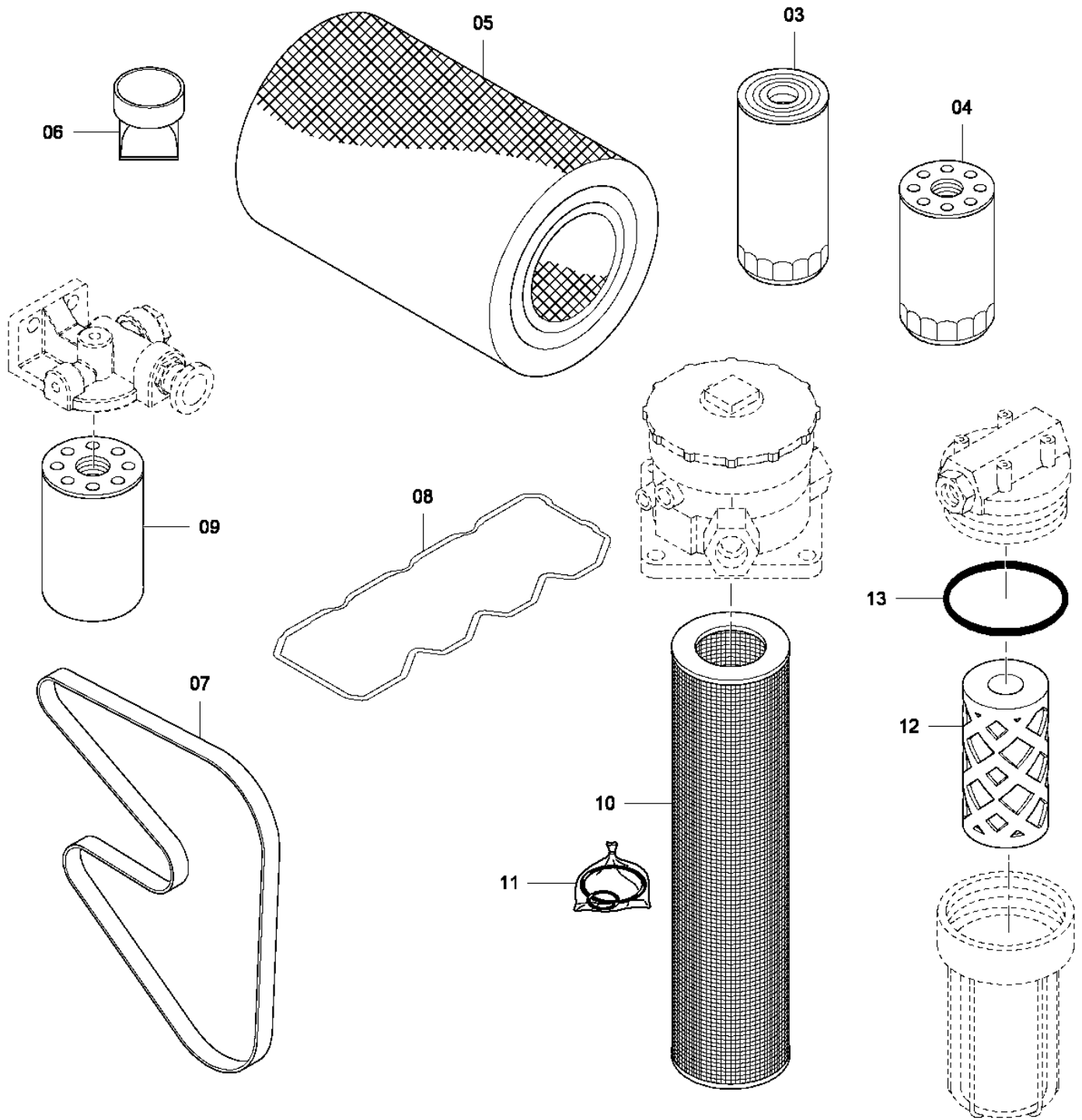
Item	Part No.	Name	Qty	L	SN INFO
1	D966630431	Motor oil filter	1		
2	D966598320	Fuel filter	1		

---

Refer to Parts Online for the most up to date information. The printed information might be outdated.

Wed Apr 01 19:50:45 MDT 2015

Service kits PL500 D299000870 Service kit 1000 Hours



Refer to Parts Online for the most up to date information. The printed information might be outdated.

Wed Apr 01 19:50:46 MDT 2015

Item	Part No.	Name	Qty	L	SN INFO
3	D966630431	Motor oil filter	1		
4	D966598320	Fuel filter	1		
5	D964441209	Air filter element, outside	1		
6	D964790852	Venturi valve	1		
7	D966655005	Belt	1		
8	D966711106	Gasket, valve cover	1		
9	D966598308	Fuel prefilter	1		
10	D964350861	Filter element	1		
11	D932783671	Repair kit	1		
12	D964441206	Filter cartridge	1		
13	D964734855	O-ring	1		

Refer to Parts Online for the most up to date information. The printed information might be outdated.

Wed Apr 01 19:50:46 MDT 2015



**Frame PL500** Frame PL500

NO EXPLODED VIEW  
AVAILABLE  
FOR THIS BOM

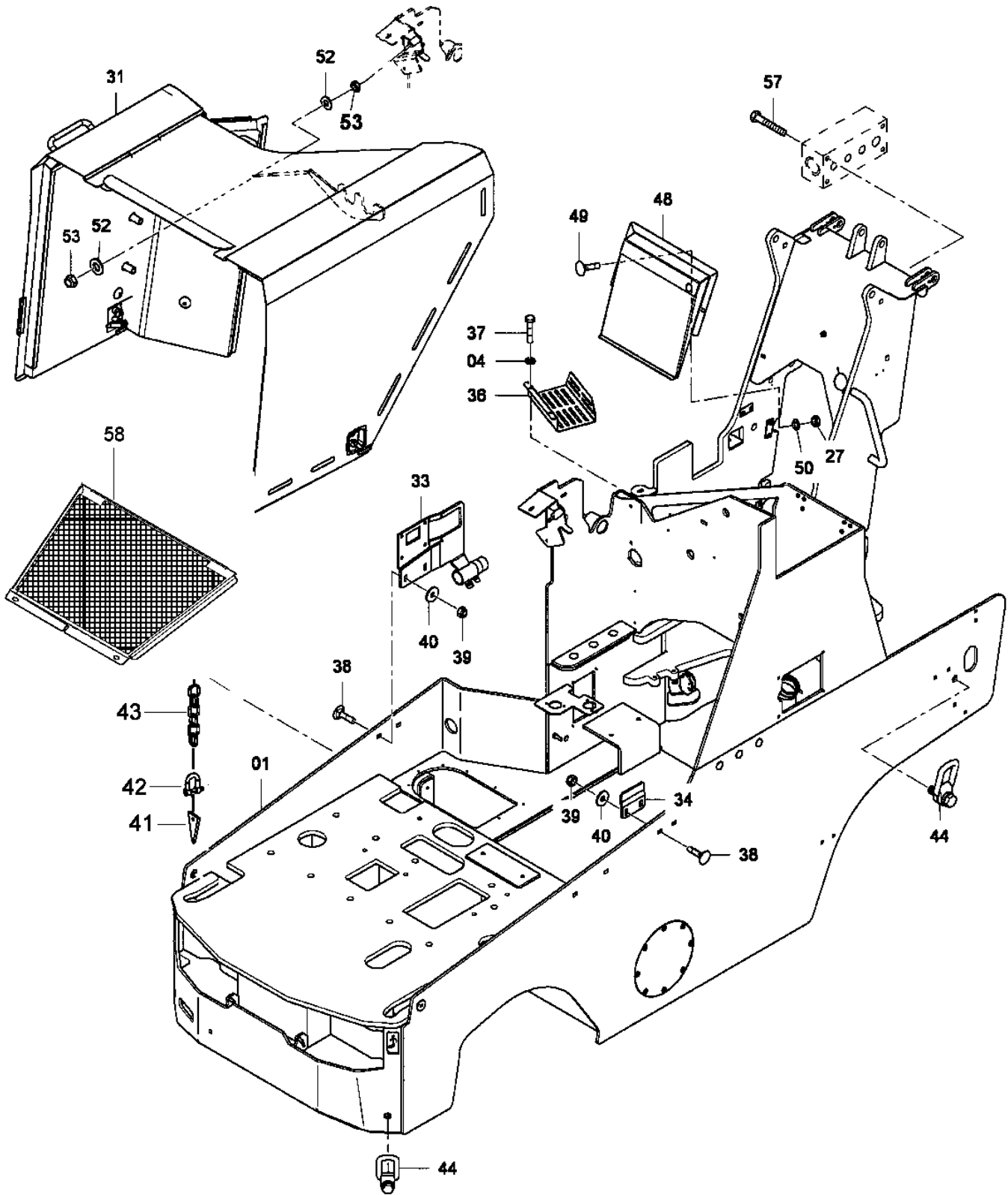
Item	Part No.	Name	Qty	L	SN INFO
1		Frame			
1		Frame			

---

Refer to Parts Online for the most up to date information. The printed information might be outdated.

Wed Apr 01 19:50:50 MDT 2015

Frame Frame



Refer to Parts Online for the most up to date information. The printed information might be outdated.

Wed Apr 01 19:50:52 MDT 2015

# Dynapac PI500 Spare Parts List 4812270321

Full download: <http://manualplace.com/download/dynapac-pi500-spare-parts-list-4812270321/>

Spare parts list

PL500 (IIIA/T3) S/N10000902T0C004234-

Item	Part No.	Name	Qty	L	SN INFO
1		Main frame 2	1		
4	4749901806	Screw retention	3		
27	0266211100	Hexagon nut	2		
31		Covering	1		
33	D503214000	Holder	1		
34	D503210004	Lock plate	1		
36	D503210006	Hose guide	1		
37	0147132703	Hex. head screw	2		
38	4749901718	Screw	4		
39	0266211200	Nut DIN934	4		
40	0300013042	Flat washer	4		
41	4812116584	Sheet metal part	1		
42	4700925191	Schackel	1		
43	D933060500	Chain	1	10	
44	4811000480	Lifting eye	4		
48	D503210011	Covering	1		
49	0226991536	Flat head screw	2		
50	D939776115	Washer	2		
52	0301233500	Washer DIN125	2		
53	0266211000	Nut din934	2		
57	0147133403	Hex. head screw	2		
58		Grid			

Comments for Page: Frame

(L)OCAL REMARKS

10 | en\_US | L=0,276m

Refer to Parts Online for the most up to date information. The printed information might be outdated.

Wed Apr 01 19:50:54 MDT 2015