

PL 500

Spare parts list

Compact planers

PL500 s/n 10000902x0C003643 – 004233

Engine: Cummins QSB 4.5



General information

Use only authorized parts. Any damage or malfunction caused by the use of unauthorized parts is not covered by Warranty or Product Liability. Any unauthorized use or copying of the contents or any part thereof is prohibited. This applies in particular to trademarks, model denominations, part numbers, and drawings.

Instructions for use

This spare parts list contains no safety regulations and is merely intended to assist in the ordering of spare parts.

For information about operating, servicing, or repairing, the relevant Safety and operating instructions must be consulted at all costs.

Please observe the safety instructions listed in the relevant Safety and operating instructions!

Contents

PL500100 PL500 S/N10000902x 0C003643	1
Service kits PL500	
Service kits PL500	3
D299000869 Service kit 500 Hours	5
D299000870 Service kit 1000 Hours	7
Frame PL500	
Frame PL500	9
Frame	
Frame	11
Main frame 2	13
Covering	
Covering	15
Engine hood, upper part	17
503-01380A Engine hood, left	19
503-01390A Engine hood, right	21
Grid	23
Frame	
Frame	25
Main frame 2	See page 13
Dipstick, compl.	27
Step	29
Milling unit PL500	
Milling unit PL500	31
Cylinder function Milling	
Cylinder function Milling	33
Main control block	37
D965155803 Hydraulic cylinder	39
Milling section	
Milling section	41
Electric components Scraper	
Electric components Scraper	45
Scraper, safety sensors	47
Rubber cover	49
Hydraulic downholder	
Hydraulic downholder	51
Hydraulic components	53
D965155803 Hydraulic cylinder	See page 39
D951088001 Angular gear	55
Milling drums	
Milling drums	57
milling drum KPF 201	59
milling drum C10 HD	61
Fine milling drum C10HD	63
milling drum C10 Micro	
milling drum C10 Micro	65
4812001151 Micro fine milling drum	67
Scraper plate	
Scraper plate	69
D965080170 Hydraulic cylinder	71
Bit tools	73

Belt tensioner	75
D965155803 Hydraulic cylinder	See page 39
Scraper safety-catch	77
Engine PL500	
Engine PL500	79
Engine	
Engine	81
Hydraulic components PL500TD	
Hydraulic components PL500TD	83
Clutch/Tensioner	
Clutch/Tensioner	85
4812000255 Steering block	87
Cylinder function Engine	
Cylinder function Engine	89
Main control block	See page 37
Pump drive 4 Wheel	
Pump drive 4 Wheel	91
D963176346 Flow divider	95
Pump drive 3 wheel	
Pump drive 3 wheel	97
D963176352 Flow divider	101
Engine parts	103
Belt protection	105
D933538306 Clutch	107
Engine suspension	109
Pump drive	
Pump drive	111
Pump console	113
D967004127 Hydraulic pump see chapter Engine	
D967004127 Hydraulic pump see chapter Engine	115
Rotary group, righthand rotation	117
Control, hydraulic	119
Port plate with valves	121
Internal gear pump	123
Control module	125
Fuel equipment	127
Air filter unit	129
Silencer	131
Cooler unit	
Cooler unit	133
Hydraulic components	
Hydraulic components	137
Fan / Steering	139
Return line	143
D503263700 Cooler holder	145
D950585307 Cooler	147
Oil drain	149
Drive system PL500	
Drive system PL500	151
Rear wheels module	
Rear wheels module	153

Hydraulic components Wheels module

Hydraulic components Wheels module 155

Cylinder function Rear Leg

Cylinder function Rear Leg 157
Main control block See page 37

Hydraulic foldable right rear leg

Hydraulic foldable right rear leg 159

Hydraulic components Foldable right rear leg

Hydraulic components Foldable right rear leg 161
Control block Swivelling leg 163
Drive, chassis leg right 4 Wheel 165

Drive, chassis leg left 4 Wheel

Drive, chassis leg left 4 Wheel 167
D963176346 Flow divider See page 95
Steering, chassis leg 4 Wheel 169

Drive, chassis leg left 3 wheel

Drive, chassis leg left 3 wheel 171
D963176352 Flow divider See page 101
Drive, chassis leg right 3 wheel 173
Steering, chassis leg 3 wheel 175
Chassis leg, right 177
Chassis leg, left 181

Front wheels module 3 Wheel

Front wheels module 3 Wheel 185

Hydraulic components 3 wheel

Hydraulic components 3 wheel 187
Steering, front axle 3 wheel 189

Drive, front wheel 3 wheel

Drive, front wheel 3 wheel 191
D963176352 Flow divider See page 101

Drive, Flow divider 3 wheel

Drive, Flow divider 3 wheel 193
D963176352 Flow divider See page 101
Steering angle indication 195

Front wheels module 4 wheel

Front wheels module 4 wheel 197

Hydraulic components 4 wheel

Hydraulic components 4 wheel 199

Drive, Front axle 4 Wheel

Drive, Front axle 4 Wheel 201

Front wheel Flow divider

Front wheel Flow divider 204
D963176346 Flow divider See page 95
D963176346 Flow divider See page 95

Steering, front axle 4 wheel

Steering, front axle 4 wheel 207
4812001370 Hydraulic cylinder Pendelum 209

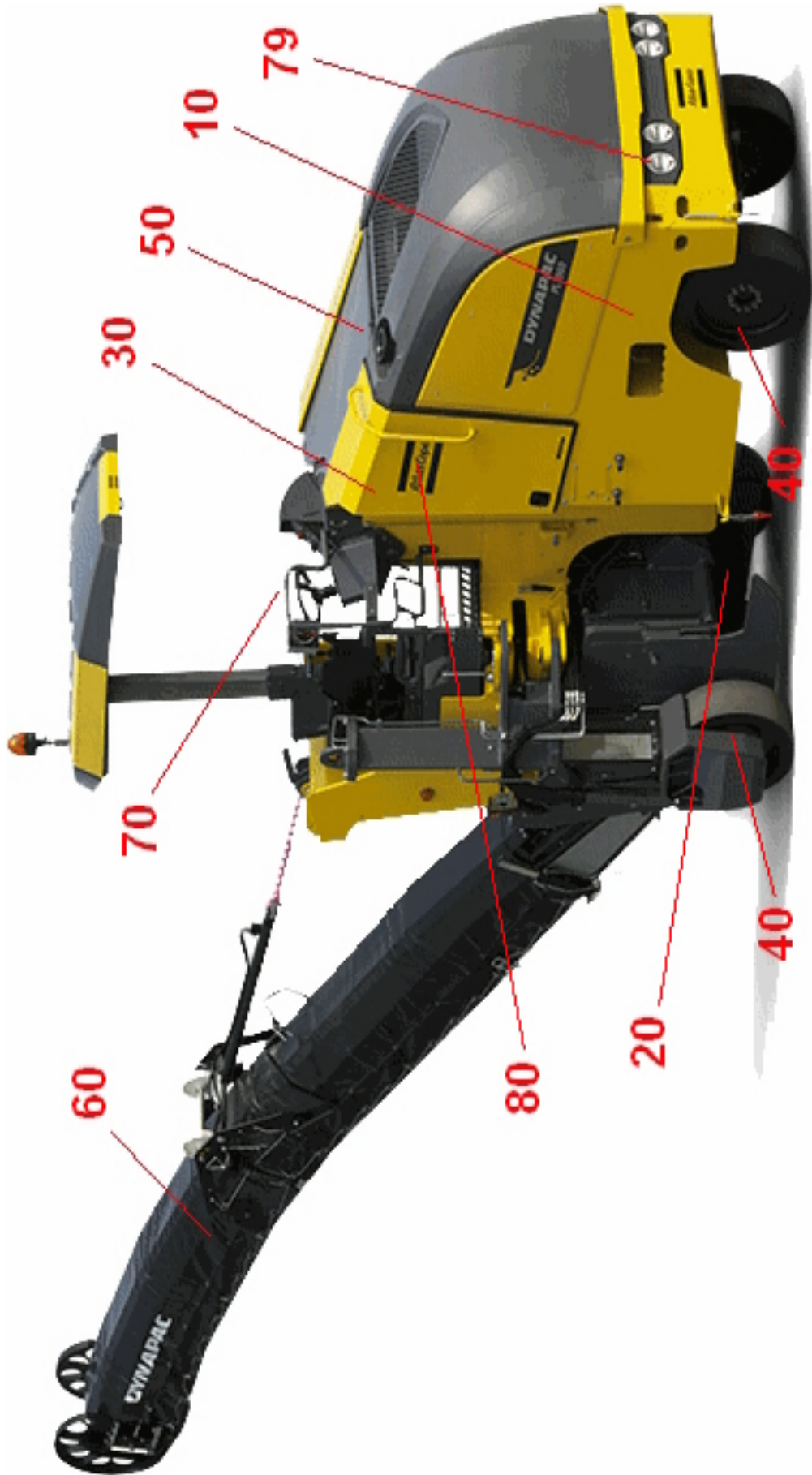
Front wheel, Parallell axle 4 Wheel

Front wheel, Parallell axle 4 Wheel	211
Wheel support, right	215
Wheel support, left	217
Front wheel, Pendulum axle 4 Wheel	
Front wheel, Pendulum axle 4 Wheel	219
4812001370 Hydraulic cylinder Pendelum	See page 209
4812001382 Wheel support, left	223
Wheel support, right	225
4812001037 Spacer 4 Wheel	227
Water system PL500	
Water system PL500	229
Water tank	231
Water pump assy	233
Nozzle holder	235
Conveyor PL500	
Conveyor PL500	237
Hydraulic components Conveyor generell	
Hydraulic components Conveyor generell	239
D967088023 Pump Conveyor function	243
Control block Conveyor	245
D963085401 Flow control valve compl.	247
Conveyor 1000mm	
Conveyor 1000mm	249
Conveyor 1000mm Hydraulic	251
Conveyor 1000mm	
Conveyor 1000mm	253
D966056099 Hydraulic motor	257
D503030116 Drive rotor with bearing	259
Universal joint	261
Conveyor lift device	263
Conveyor 5500mm Rigid	
Conveyor 5500mm Rigid	265
Hydraulic connection	267
Conveyor 5500mm Rigid	
Conveyor 5500mm Rigid	269
4812002195 Hydraulic cylinder	271
Universal joint	See page 261
Conveyor 5500mm Foldable	
Conveyor 5500mm Foldable	273
Hydraulic connection	See page 267
Conveyor 5500mm Foldable	
Conveyor 5500mm Foldable	275
4812002195 Hydraulic cylinder	See page 271
Universal joint	See page 261
Drivers platform PL500	
Drivers platform PL500	277
Drivers platform Electrical components	
Drivers platform Electrical components	279
Console Operating panel	
Console Operating panel	281
Vandalism protection	283

Flap, compl.	285
Operator desk	
Operator desk	287
Overview operating panel	289
Electrical components	291
Module holder	293
Steering control unit	295
Seat console, slidable	
Seat console, slidable	297
Driver seat	
Driver seat	301
D953420303 Driver seat	303
Ergonomics set	
Ergonomics set	305
Electrical components	307
Level gauge	
Level gauge	309
Level gauge, left side	
Level gauge, left side	311
D503242600 High scale, left compl.	313
Level gauge, right side	
Level gauge, right side	315
High scale, right compl.	317
Levelling system Easy Level	319
Main fuse holder	321
Battery bracket	
Battery bracket	323
Battery bracket	325
Console Levelling system	327
Drivers platform Mechanical components	
Drivers platform Mechanical components	329
Step plate	331
Mirror, compl. (Option)	333
Mirror, compl. (Option)	335
Lightning PL500	
Lightning PL500	337
Working lights	339
Rotating beacon (Option) Machine	341
Traffic lights	343
Lamp holder	345
Decals and instructions	347
Accessories PL500	
Accessories PL500	349
Canopy	
Canopy	351
Rotating beacon	355
Electric folding kit, Canopy	357
Sonic-Ski MOBA	
Sonic-Ski MOBA	359
D503-10220 Grade control	

D503-10220 Grade control	361
D503-10230 Swivel device	363
4720007200 Height regulator holder, compl.	365
Cleaning kit	367
Hydraulic hammer External hydraulic connection	
Hydraulic hammer External hydraulic connection	369
Hydraulic connection Hydraulic hammer	
Hydraulic connection Hydraulic hammer	371
D967088023 Pump Conveyor function	See page 243
D963085401 Flow control valve compl.	See page 247
Cutting wheel	
Cutting wheel	373
4812001110 Water tube	375
Scraper plate-HARDOX Option	377
Tools and accessories	
Tools and accessories	379
D503200100 Tool kit	381
Appendix B:Parts Index	383

PL500100 PL500 S/N10000902x 0C003643



Refer to Parts Online for the most up to date information. The printed information might be outdated.
Thu May 07 00:28:34 MDT 2015

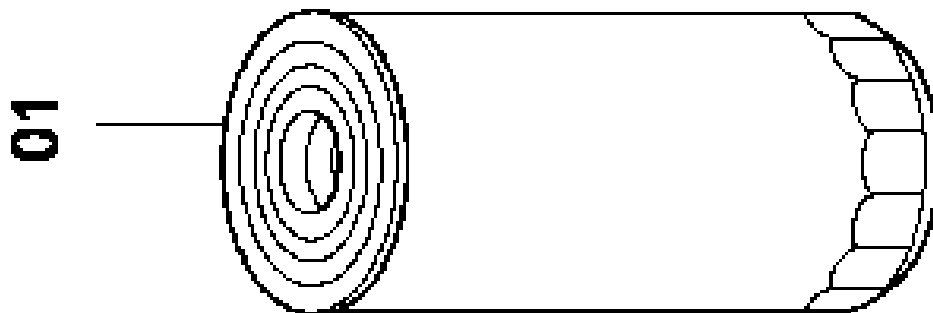
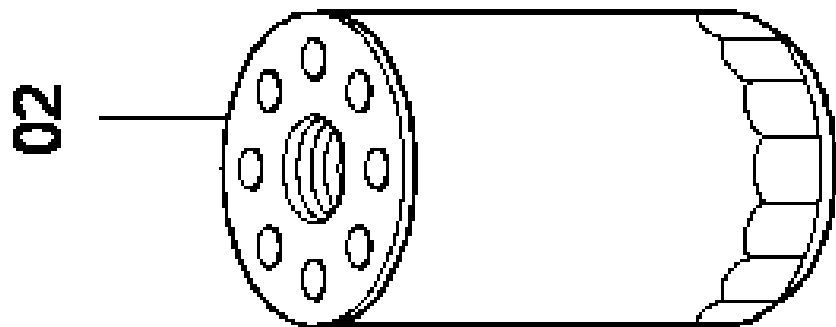
Item	Part No.	Name	Qty	L	SN INFO
Not Shown		Service kits PL500T/TD	1		
10		Frame PL500T/TD	1		
20		Milling unit PL500TD	1		
30		Engine PL500TD	1		
40		Drive system PL500T/TD	1		
50		Water system PL500T/TD	1		
60		Conveyor PL500T/TD	1		
70		Drivers platform PL500T/TD	1		
79		Lightning PL500T/TD	1		
80		Decal	1		
90		Accessories PL500T/TD	1		

Service kits PL500 Service kits PL500

NO EXPLODED VIEW
AVAILABLE
FOR THIS BOM

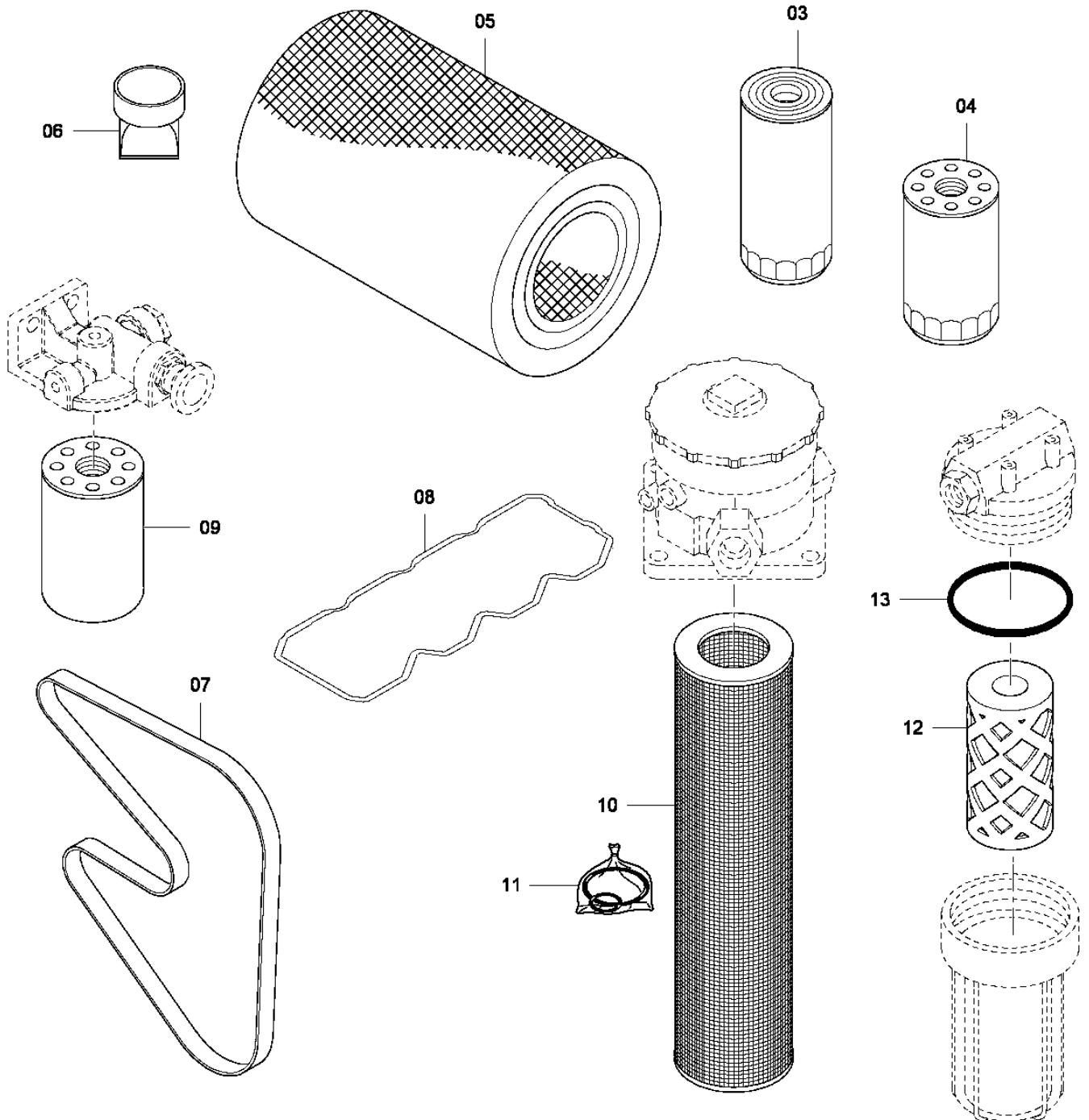
Item	Part No.	Name	Qty	L	SN INFO
Not Shown	D299000869	Service kit 500 Hours			
Not Shown	D299000870	Service kit 1000 Hours			

Service kits PL500 D299000869 Service kit 500 Hours



Item	Part No.	Name	Qty	L	SN INFO
1	D966630431	Motor oil filter	1		
2	D966598320	Fuel filter	1		

Service kits PL500 D299000870 Service kit 1000 Hours



Refer to Parts Online for the most up to date information. The printed information might be outdated.

Thu May 07 00:28:35 MDT 2015

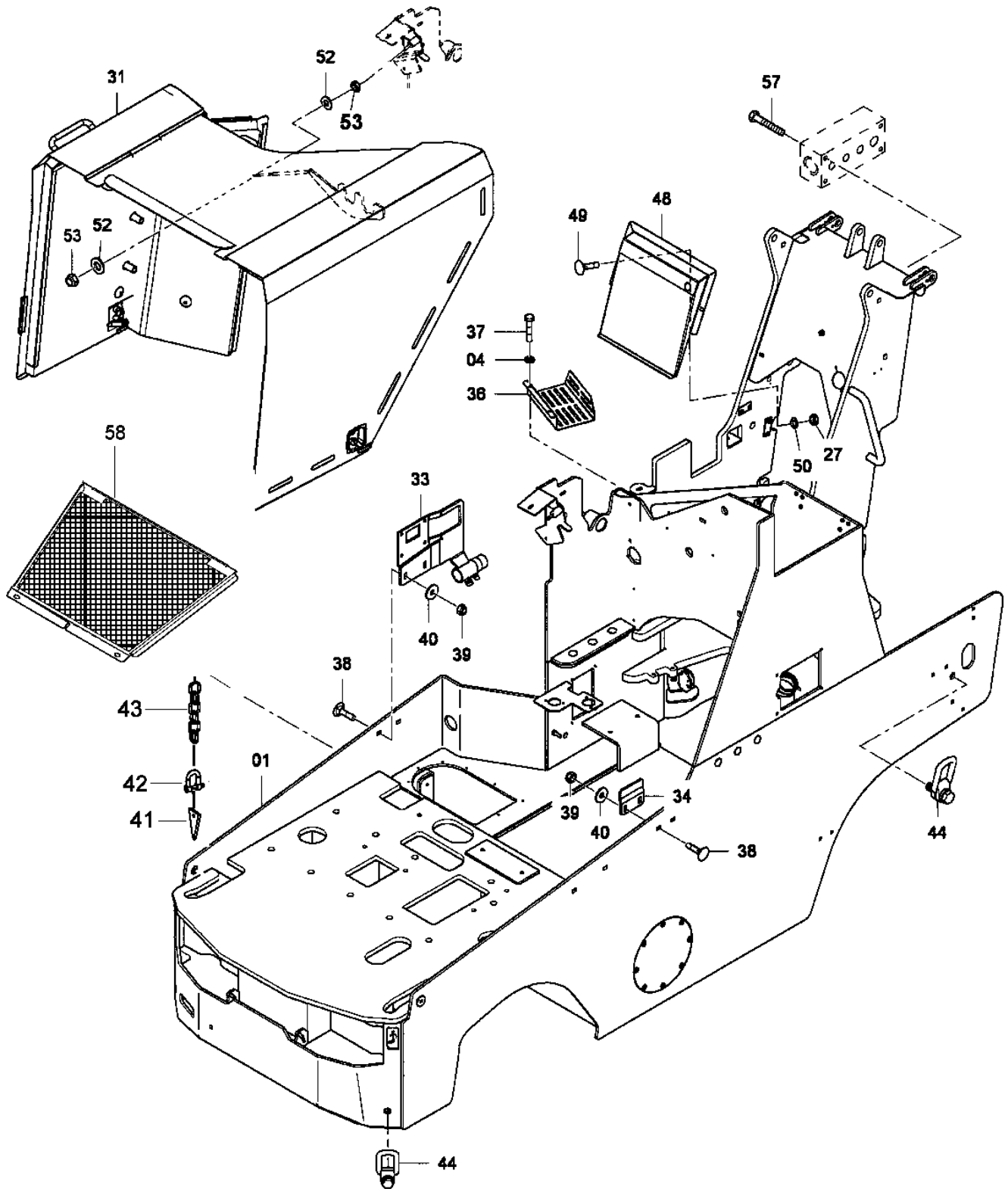
Item	Part No.	Name	Qty	L	SN INFO
3	D966630431	Motor oil filter	1		
4	D966598320	Fuel filter	1		
5	D964441209	Air filter element, outside	1		
6	D964790852	Venturi valve	1		
7	D966655005	Belt	1		
8	D966711106	Gasket, valve cover	1		
9	D966598308	Fuel prefilter	1		
10	D964350861	Filter element	1		
11	D932783671	Repair kit	1		
12	D964441206	Filter cartridge	1		
13	D964734855	O-ring	1		

Frame PL500 Frame PL500

NO EXPLODED VIEW
AVAILABLE
FOR THIS BOM

Item	Part No.	Name	Qty	L	SN INFO
1		Frame			
1		Frame			

Frame Frame



Refer to Parts Online for the most up to date information. The printed information might be outdated.
Thu May 07 00:28:35 MDT 2015

Dynapac PL500 Spare Parts Catalogue 511834

Full download: <http://manualplace.com/download/dynapac-pl500-spare-parts-catalogue-511834/>

Spare parts list

PL500100 PL500 S/N10000902x 0C003643

Item	Part No.	Name	Qty	L	SN INFO
1		Main frame 2	1		
4	4749901806	Screw retention	3		
27	0266211100	Nut	2		
31		Covering	1		
33	D503214000	Holder	1		
34	D503210004	Lock plate	1		
36	D503210006	Hose guide	1		
37	0147132703	Hex. head screw	2		
38	4749901718	Screw	4		
39	0266211200	Hexagon nut	4		
40	0300013042	Flat washer	4		
41	4812116584	Sheet metal part	1		
42	4700925191	Schackel	1		
43	D933060500	Chain	1	10	
44	4811000480	Lifting eye	4		
48	D503210011	Covering	1		
49	0226991536	Flat head screw	2		
50	D939776115	Locking washer	2		
52	0301233500	Plain washer(a) 8.4 x 16 x 1.6	2		
53	0266211000	Hexagon nut	2		
57	0147133403	Hex. Head screw	2		
58		Grid			

Comments for Page: Frame

(L)OCAL REMARKS

10 | en_US | L=0,276m

Refer to Parts Online for the most up to date information. The printed information might be outdated.

Thu May 07 00:28:35 MDT 2015