

PL350

Spare parts list

Compact planers

PL350 (IIIA/T3) s/n 10000900x0C004242 -

Engine: Cummins QSB3.3



General information

Use only authorized parts. Any damage or malfunction caused by the use of unauthorized parts is not covered by Warranty or Product Liability. Any unauthorized use or copying of the contents or any part thereof is prohibited. This applies in particular to trademarks, model denominations, part numbers, and drawings.

Instructions for use

This spare parts list contains no safety regulations and is merely intended to assist in the ordering of spare parts.

For information about operating, servicing, or repairing, the relevant Safety and operating instructions must be consulted at all costs.

Please observe the safety instructions listed in the relevant Safety and operating instructions!

Contents

PL350 (IIIA/T3) s/n 10000900x0C004242 -

PL350 (IIIA/T3) s/n 10000900x0C004242 -	1
Service kits	
Service kits	3
D299000850 Service kit 500 h	5
D299000851 Service kit 1000 h	7
Frame	
Frame	9
Covering, compl.	11
Covering compl.	
Covering compl.	13
Engine hood compl. Left side	15
Engine hood compl. Right side	17
Main frame, back	
Main frame, back	19
Rear door compl.	23
Ballast Module	
Ballast Module	25
Ballast weight	27
Milling unit	
Milling unit	29
Hydraulic components	
Hydraulic components	31
Drum drive	
Drum drive	33
D967045901 Pump, drum drive	35
Milling drums	
Milling drums	37
Milling drum standard C10HD	39
Fine milling drum C10	41
Micro milling drum C10	43
Fine milling drum C10HD	45
Plate, front	47
Bit tools	49
D501520500 Lever	51
Engine compl.	
Engine compl.	53
Cooler system	
Cooler system	55
Hydraulic components	
Hydraulic components	57
Suction/return line	59
Holder, compl.	61
Carrier assy.	63
Holder, compl.	65

Engine assy	
Engine assy	67
D966390010 Engine	69
Oil drain	71
Exhaust system	73
Airfilter system	75
Propulsion pump	
Propulsion pump	77
D967045901 Pump, drum drive	See page 35
D967045031 Pump, 3 wheel drive	79
D967088022 Hydraulic pump	81
Engine equipment	
Engine equipment	83
Oil drain	See page 71
Drive system	
Drive system	85
Hydraulic components	
Hydraulic components	87
All wheel drive Rear wheel	
All wheel drive Rear wheel	89
D967045031 Pump, 3 wheel drive	See page 79
D963172801 Hydr. block	91
All wheel drive Front wheel	
All wheel drive Front wheel	93
D967045031 Pump, 3 wheel drive	See page 79
D951020927 Gear with motor	97
D963172801 Hydr. block	See page 91
Cylinder function Rear legs	
Cylinder function Rear legs	99
D963176081 Steering block	101
Steering Front wheel	
Steering Front wheel	103
D967088022 Hydraulic pump	See page 81
One wheel drive Hydraulics	
One wheel drive Hydraulics	107
D967045031 Pump, 3 wheel drive	See page 79
D951020927 Gear with motor	See page 97
Steering and levelling	
Steering and levelling	111
Dipstick, compl.	113
Steering control unit	115
All wheel drive	117
One wheel drive	119
Front axle	
Front axle	121
D951020927 Gear with motor	See page 97
Front axel	123

Levelling left	
Levelling left	125
4812003252 Strut unit	127
Levelling right	
Levelling right	129
4812003252 Strut unit	See page 127
Water system	133
Conveyor	
Conveyor	138
Hydraulic components	
Hydraulic components	141
Conveyor hydraulic	
Conveyor hydraulic	143
D963176082 Steering block	145
Scraper hydraulic	
Scraper hydraulic	147
D963176081 Steering block	See page 101
Hydraulic demolition hammer	149
Ext. Hydraulic connection	
Ext. Hydraulic connection	151
D963176082 Steering block	See page 145
Conveyor	
Conveyor	153
Conveyor	
Conveyor	155
Swivel arm	157
Conveyor	159
Conveyor	161
Drivers platform	
Drivers platform	163
Seat	
Seat	165
D953420303 Driver seat	167
Steering control unit	See page 115
Operators panel	
Operators panel	169
Operator panel	171
Operator panel	173
Vandalism protection compl.	175
Levelling system, MOBA Option	177
Mirror	179
Pointer	181
Battery holder, Disconnecter	183
Operators platform	185
Foot plate enlargement Option	187
Lightning	
Lightning	189

Lamp socket compl. 191
Working light 193
Decals 195

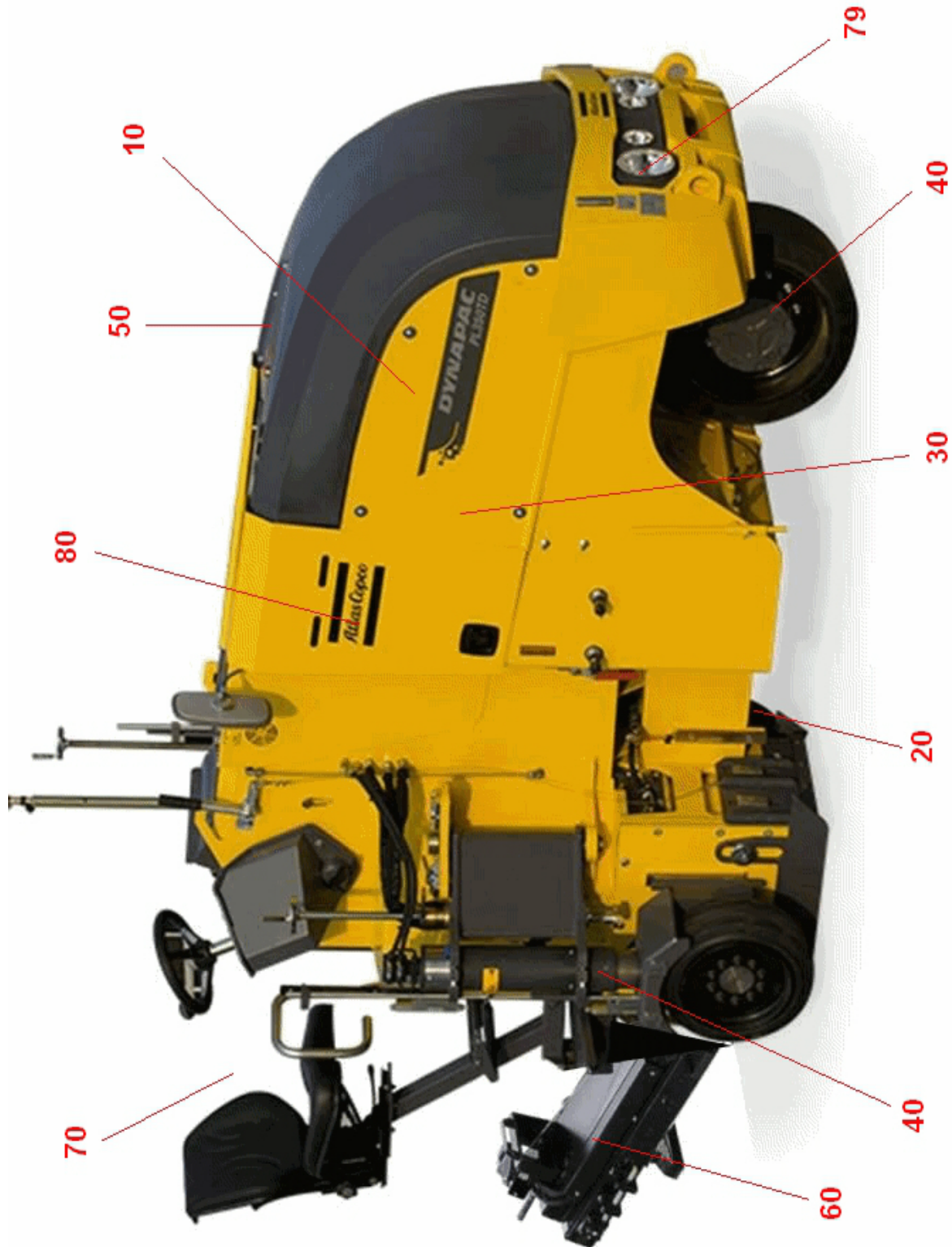
Accessories list

Accessories list 197

Tool and assessories

Tool and assessories 199
Tool kit 201
Console Levelling system 203
Stop block 205
Appendix B:Parts Index 207

PL350 (IIIA/T3) s/n 10000900x0C004242 - PL350 (IIIA/T3) s/n 10000900x0C004242 -



Refer to Parts Online for the most up to date information. The printed information might be outdated.

Wed Apr 01 20:36:32 MDT 2015

Item	Part No.	Name	Qty	L	SN INFO
Not Shown		Service kits	1		
10		Frame	1		
20		Milling unit	1		
30		Engine compl.	1		
40		Drive system	1		
50		Water system	1		
60		Conveyor	1		
70		Drivers platform	1		
79		Lightning	1		
80		Decals	1		
90		Accessories list	1		

Refer to Parts Online for the most up to date information. The printed information might be outdated.

Wed Apr 01 20:36:32 MDT 2015

Service kits Service kits

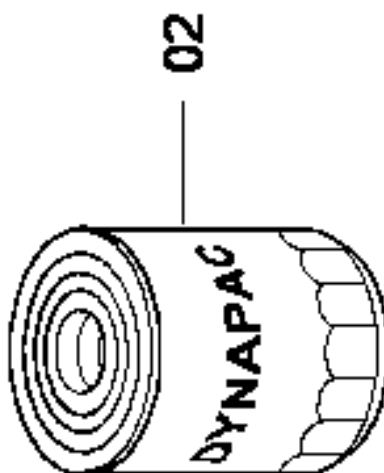
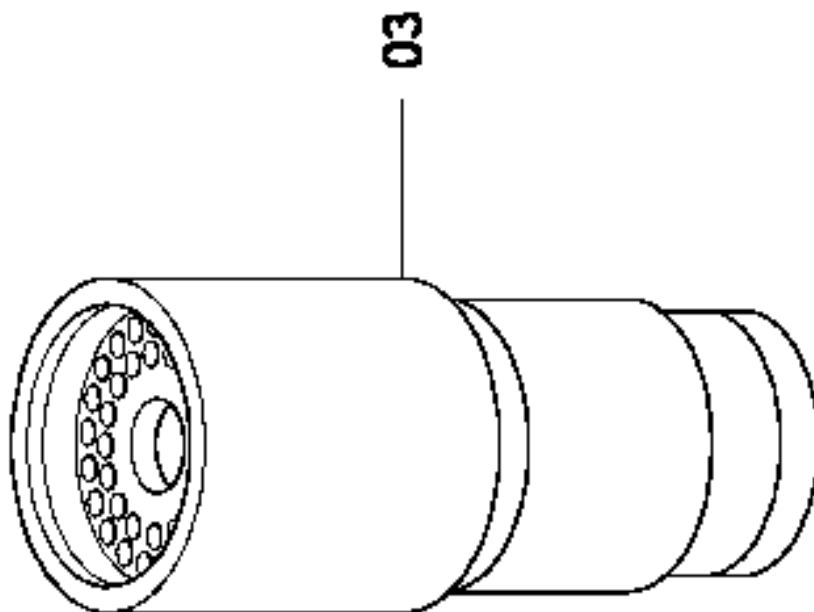
NO EXPLODED VIEW
AVAILABLE
FOR THIS BOM

Item	Part No.	Name	Qty	L	SN INFO
Not Shown	D299000850	Service kit 500 h			
Not Shown	D299000851	Service kit 1000 h			

Refer to Parts Online for the most up to date information. The printed information might be outdated.

Wed Apr 01 20:36:32 MDT 2015

Service kits D299000850 Service kit 500 h

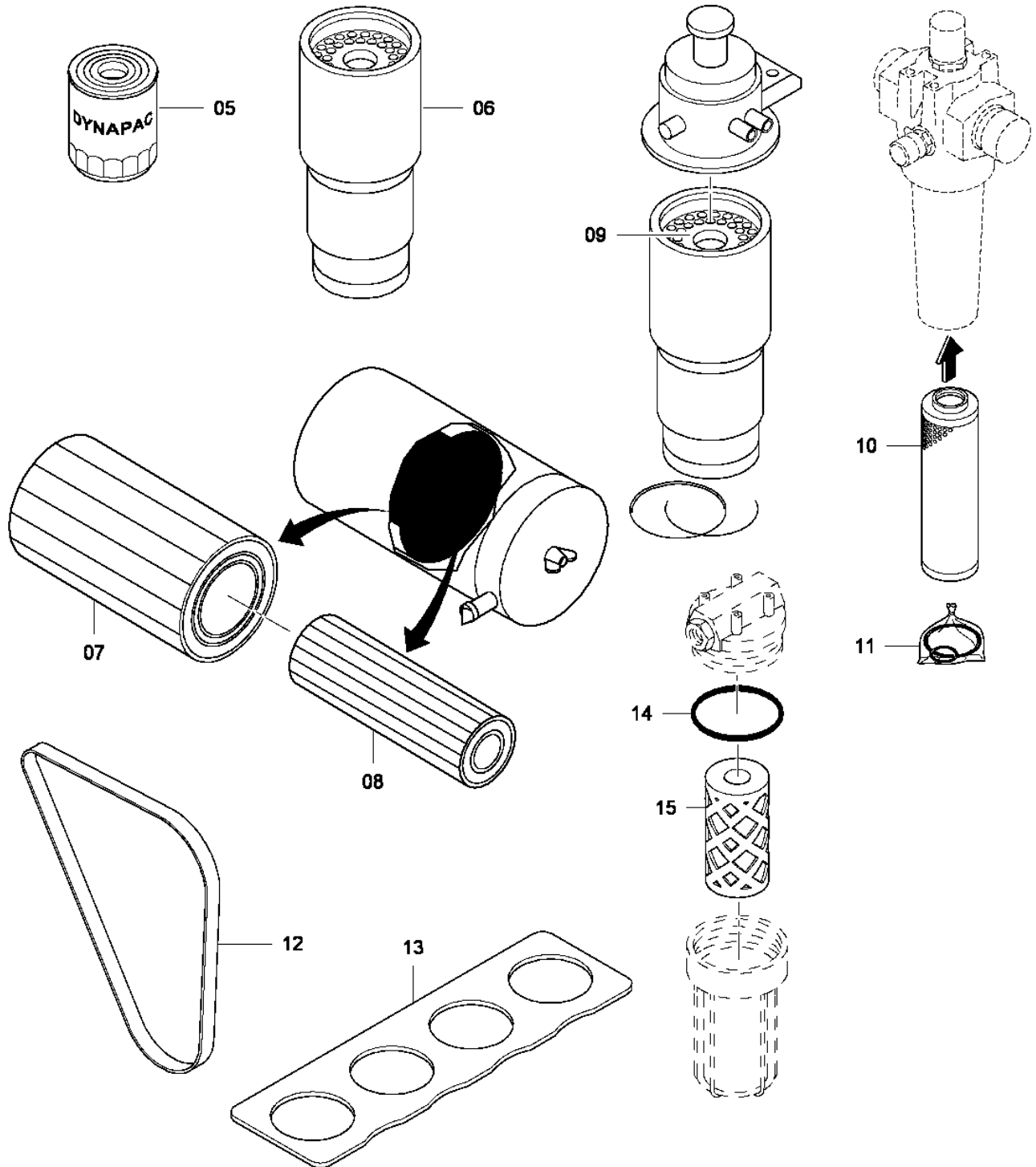


Item	Part No.	Name	Qty	L	SN INFO
2	4700939068	Oil filter	1		
3	D966598318	Fuel filter	1		

Refer to Parts Online for the most up to date information. The printed information might be outdated.

Wed Apr 01 20:36:32 MDT 2015

Service kits D299000851 Service kit 1000 h



Refer to Parts Online for the most up to date information. The printed information might be outdated.

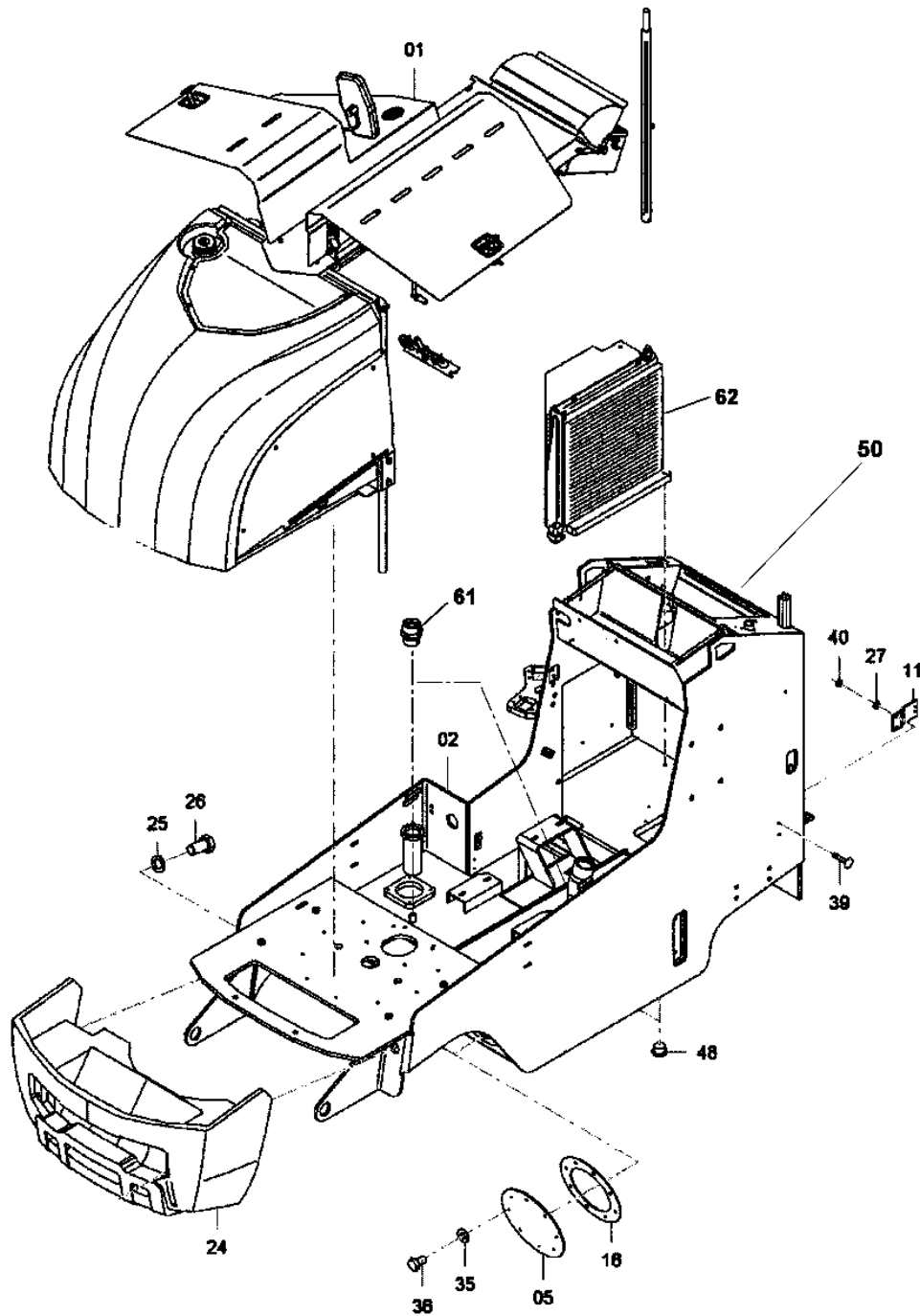
Wed Apr 01 20:36:32 MDT 2015

Item	Part No.	Name	Qty	L	SN INFO
5	4700939068	Oil filter	1		
6	D966598318	Fuel filter	1		
7	D966600185	Air filter, outer element primary	1		
8	D966600184	Air filter, inner element safety	1		
9	D964350859	Filter element	1		
10	D964350860	Filter element	1		
11	D932786550	Seal kit	1		
12	D966598107	V.belt	1		
13	D966711101	Gasket, valve cover	1		
14	D966630414	O-ring	3		
15	D964441206	Filter cartridge	1		

Refer to Parts Online for the most up to date information. The printed information might be outdated.

Wed Apr 01 20:36:32 MDT 2015

Frame Frame



Refer to Parts Online for the most up to date information. The printed information might be outdated.

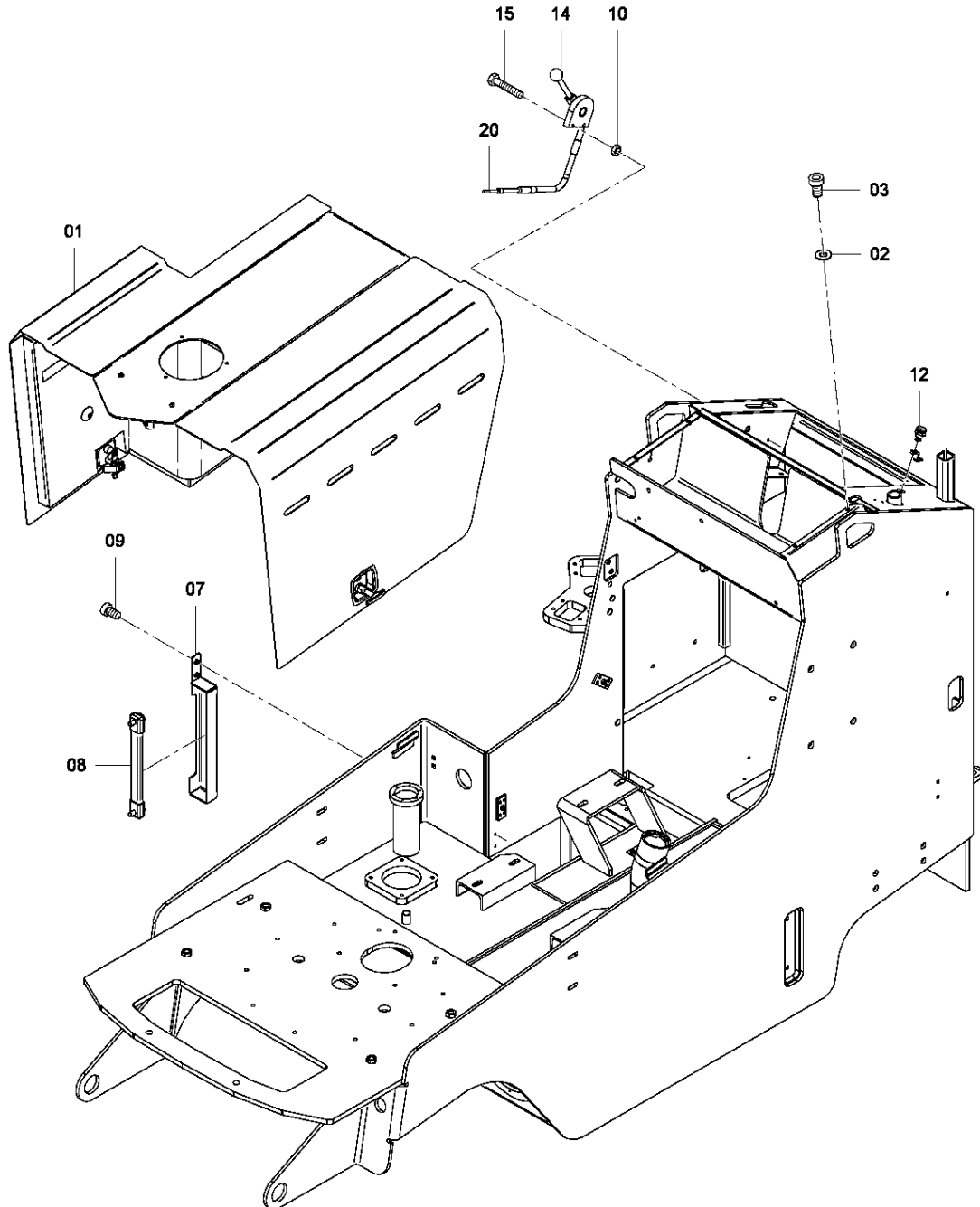
Wed Apr 01 20:36:33 MDT 2015

Item	Part No.	Name	Qty	L	SN INFO
1		Covering, compl.			
2	4812117571	Main frame	1		
5	D501510219	Cover	2		
11	D501510394	Holder	1		
16	D502010227	Gum sealing	2		
24	4812115457	Bumper	1		
25	D939776137	Locking washer	2		
26	D938151192	Hex. screw	2		
27	4749901806	Screw retention	4		
35	D939776111	Washer	16		
36	5730082735	Hexagon head screw	16		
39	0226991529	Flat head screw	2		
40	0266211000	Nut din934	4		
48	D961175211	Plug screw	2		
50		Main frame, back			
61	4812117568	Adapter	2		
62		Ballast Module			

Refer to Parts Online for the most up to date information. The printed information might be outdated.

Wed Apr 01 20:36:33 MDT 2015

Frame Covering, compl.



Refer to Parts Online for the most up to date information. The printed information might be outdated.

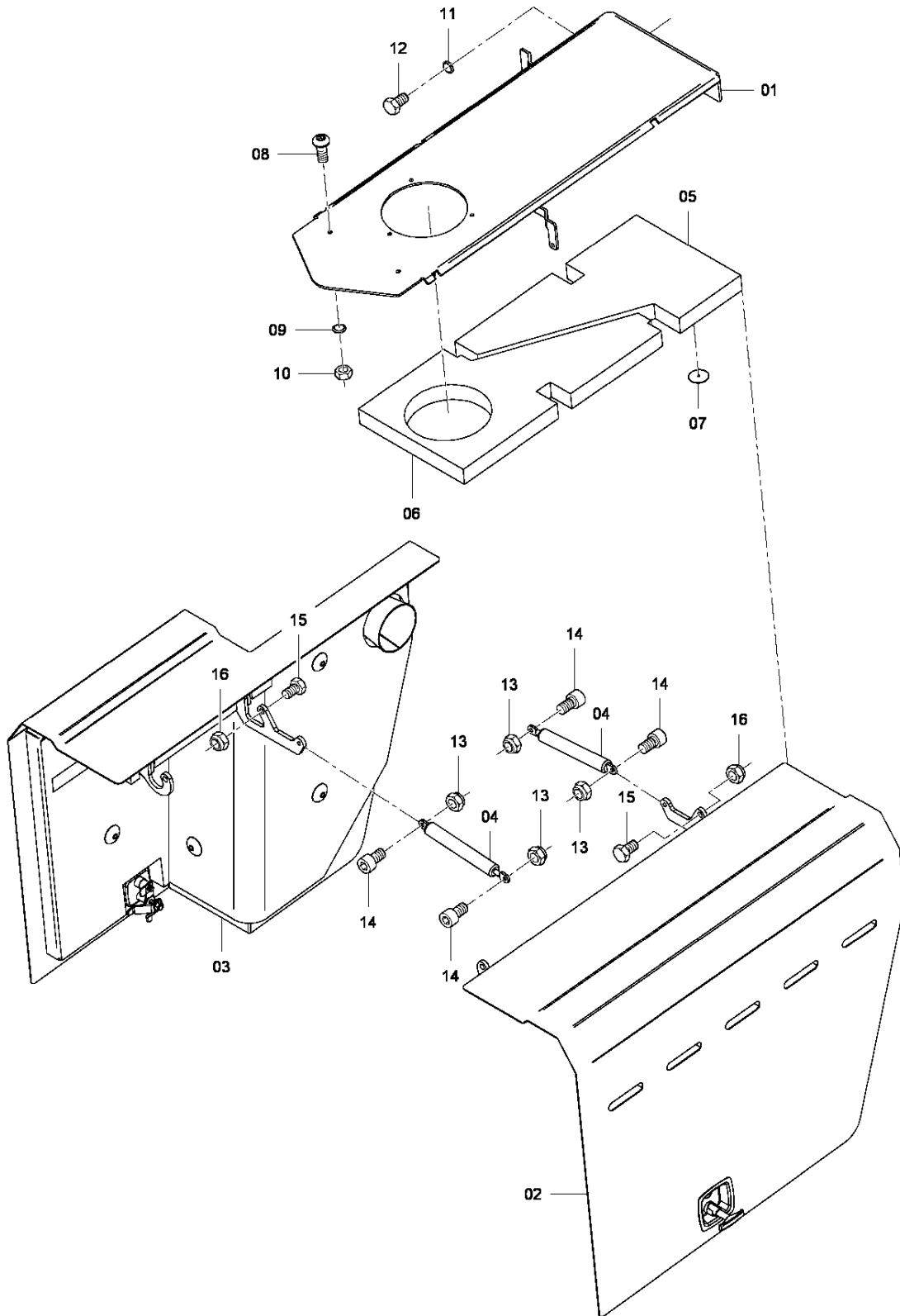
Wed Apr 01 20:36:33 MDT 2015

Item	Part No.	Name	Qty	L	SN INFO
1		Covering compl.			
2	4749901806	Screw retention	4		
3	0215000620	Hexagon socket button head screw	4		
7	D501510209	Protection	1		
8	D930211474	Level indicator	1		
10	0291112854	Hexagon nut	2		
12	4812271100	Lock with zunge	1		
14	D930429171	Lever, compl.	1		
14	D930177228	Push pull cable	1		
15	5730015168	Hexagon head screw	2		
20	D930177228	Push pull cable	1		

Refer to Parts Online for the most up to date information. The printed information might be outdated.

Wed Apr 01 20:36:33 MDT 2015

Covering compl. Covering compl.



Refer to Parts Online for the most up to date information. The printed information might be outdated.

Wed Apr 01 20:36:33 MDT 2015

Dynapac PL350 Spare Parts List 4812270215Full download: <http://manualplace.com/download/dynapac-pl350-spare-parts-list-4812270215/>

Spare parts list

PL350 (IIIA/T3) s/n 10000900x0C004242 -

Item	Part No.	Name	Qty	L	SN INFO
1	4812000511	Center part	1		
2		Engine hood compl. Left side			
3		Engine hood compl. Right side			
4	4749302464	Pneumatic spring	2		
5	4812000481	Insulating material	1		
6	4812000482	Insulating material	1		
7	4749301479	Clip	6		
8	0215001064	Hexagon socket button head screw	2		
9	4749901806	Screw retention	2		
10	0266211000	Nut din934	2		
11	4749901807	Washer	2		
12	0147136203	Hex. head screw	2		
13	0291111000	Nut DIN985	4		
14	0211132503	Hex. Sock. Screw, MCS6 M8x25	4		
15	0147140103	Screw	2		
16	0291111200	Nut DIN985	2		
17	4749301479	Clip	24		
18	4812274275	Insulation	2		
19	4700904654	Screw	1		

Refer to Parts Online for the most up to date information. The printed information might be outdated.

Wed Apr 01 20:36:33 MDT 2015