

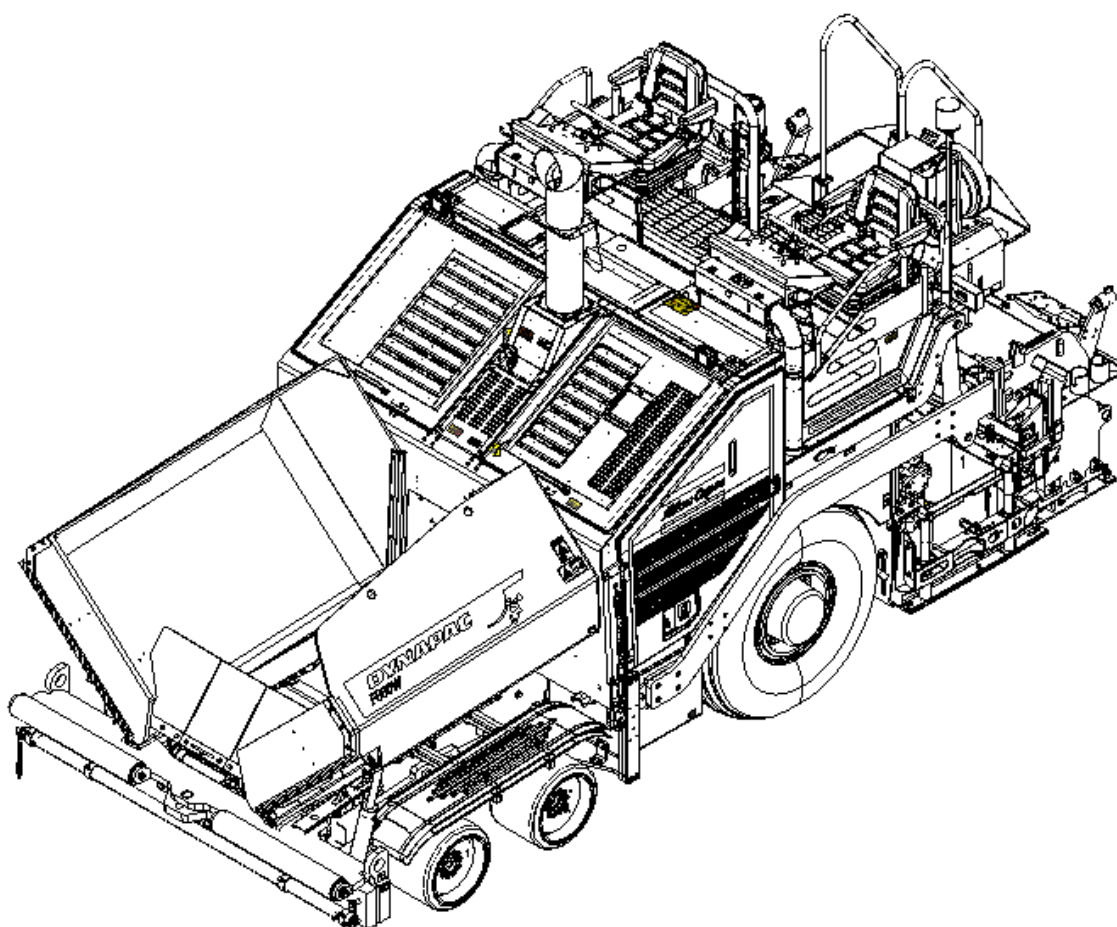
F800W

Spare parts list

Wheeled finisher

F800W s/n 10002018CFC005181 –

Engine: Cummins QSB 6.7 – C173 T4f engine



General information

Use only authorized parts. Any damage or malfunction caused by the use of unauthorized parts is not covered by Warranty or Product Liability. Any unauthorized use or copying of the contents or any part thereof is prohibited. This applies in particular to trademarks, model denominations, part numbers, and drawings.

Instructions for use

This spare parts list contains no safety regulations and is merely intended to assist in the ordering of spare parts.

For information about operating, servicing, or repairing, the relevant Safety and operating instructions must be consulted at all costs.

Please observe the safety instructions listed in the relevant Safety and operating instructions!

Contents

Service, repair and wear part kits

Kit, startup, 100hr	1
Kit, Maintenance, 500hr	3
Kit, Maintenance, 1000hr	5
Kit, Maintenance, 2000hr	7
Kit, Hopper skirt	9
Hopper assembly, short rubber	11
Kit, Chain, conveyor drive	13
4812247992 Assembly, conveyor chain	15
4812313226 Kit, guide conveyor for F800W	17
Kit, Conveyor plate	19
Kit, Sprocket, conveyor	21
Kit, Conveyor bearing	23
Kit, Rear plate	25
Hydraulic extension auger kit	27
Extend auger, 15FT KIT	29
Extend auger, 1FT KIT	31
Extend auger, 2FT KIT	33
Basic auger blade	35
Kit, key replacement	37
Screed dis-connect kit	39
D717955090 Uptime kit	41

Mechanical

4812249011 Frame assembly

4812249011 Frame assembly	43
4812244687 Assembly, fume extractor	48
D717012501 Blower, Fume extractor	51

4812245131 Hopper assembly, hopper dump

Hopper Assembly	53
Hopper hydraulic cylinder assembly	56

4812248188 Screed arm assembly

4812248188 Screed arm assembly	59
4812248631 F800 scaleplate assembly	61
Left indicator scale assembly	63
Right indicator scale assembly	65
Slope arm assembly	67

4812248959 Cover assembly

4812248959 Cover assembly	69
4812248968 Left door assembly	73
4812249014 Right door assembly	75

4812248903 Engine cover assembly

4812248903 Engine cover	77
Engine cover right front	80
Engine cover, middle front	83
Engine cover, left front	85
4812248912 Engine cover left rear	88
4812248917 Engine cover, middle rear	91
4812248931 Engine cover, right rear	93

4812248937 Footwell

4812248937 Footwell	95
4812248938 Footwell, left	97
4812249283 Footwell, middle	99
4812248943 Footwell, right	101

4812248333 Conveyor drive assy, 8' paver

4812248333 Conveyor drive assy, 8' paver	103
Tensioner, assembly	105
4812247992 Assembly, conveyor chain	See page 15
4812247991 Lubrication system	107
4812247994 Assembly conveyor drive	
4812247994 Conveyor drive compl	109
4812247995 Assembly, drive conveyor	111
Motor and gearbox	113
Staircase assembly	116
4812243302 Auger assembly, 8' paver	
Auger assembly	119
Sprocket box suspension left	123
Auger drive assembly	125
Gear box	127
Sprocket box suspension right	129
Basic auger blade	131
Main auger bearing	133
Lubrication oil	135
Prevent segregation device	137
Base backplate assembly	139
Left main support assembly	141
Right main support assembly	143
4812248555 Conveyor plate assy, 8' plate	
4812248555 Conveyor plate assy, 8' paver	145
Operator platform	
Turning seat	147
Tool box, assembly	149
Engine	
4812248982 F800W Engine system	
4812248982 F800W engine system	151
4812248977 F800W Cooling system	153
4812248815 F800W Engine assembly	156
F800 Engine assembly	162
F800 Engine after treatment	165
4812222043 Air cleaner	167
Hose, engine oil drain	169
4812248941 F800W Exhaust stack assembly	171
Drive	
4812248886 Basic steering structure	
4812248886 Basic steering structure	173
Steering sensor, assembly	176
4812248881 Steering link inner assembly	179
4812248882 Steering link outside assembly	181
4812247999 Assembly, rear axle	
4812247999 Assembly, rear axle	183
4812248989 Drive subassembly	185
Hydraulic system	
4812248008 F800W hydraulic components	
4812248008 F800W hydraulic components assy	187
4812248452 Pump drive assembly	
4812248452 F800W Pump drive assembly	190
4812248453 Fittings assembly	194

4812248479 F800W hydraulic tank

4812248479 F800W Hydraulic tank	197
4812220770 Assembly, hydraulic filter tier IV	200
4812248480 F800W Assistant pump	203
4812248492 F800W Front main valve	205
4812248018 F800W Rear hic standard	207
4812248502 Hic vibration & fan assembly	209
4812248503 Hic propel gearbox pump assembly	211
4812248506 Case drain block assembly	213
4812248569 F800W Front wheel assit	215
4812248571 F800W Conveyor motor	217
4812248570 F800W conveyor motor assembly	219
4812248572 F800 auger motor assembly	221
4812248574 F800W Fan motor assembly	223
4812248573 F800 Generator motor	225
4812248507 F800 Return manifold	227
4812248578 F800W filter assembly	229
4812248641 Connector plate	231
4812248640 Connector plate	233
4812248720 F800W steering assembly	235
4812248577 F800W Hose kit	237
4812248765 Left wheel tube support	241
4812248766 Right wheel tube support	243
4812249267 Hose clap assembly	245
4812248000 Fuel tank assembly	247

Electric system

4812248901 Electrical sys assy, 8' wheel

DC control panel assembly	250
Generator drive assembly	255
Kit, lovejoy coupling	257
4812248146 Battery box assembly	259
D717104500 Assembly, AC main panel	261
4812248584 Control box right	263
4812245944 Bracket sonic sensor	267
4812248898 F800W DC cables	269
Beacon assembly	271
Roading lights assembly	273

Options

4812245484 EZIV 8-15 screed

Screed lift / assist functions

Add or reduce pressure hydraulic kit	275
4812248266 Gauge support assembly	277

Push roller

F800W push roller assembly

4812249093 Push roller assy	279
Push roller upper	281
4812223943 Roller assembly	283

4812249087 Push roller, 8' paver hydraulic

4812249087 Push roller 8' paver, hydraulic	285
Push roller upper hydraulic	287
4812223943 Roller assembly	See page 283
4812249293 Cylinder push roller assembly	289

4812248686 Push roller option hydraulic kit

4812248686 Push roller option hydril Kit	291
--	-----

4812249286 Push roller tuck hitch tube	293
4812249287 Push roller tuck hitch tube	295
4812249306 F800W push roller hose kit	297
Truck hitch & push roller	299

Auger extension

4812244510 Hydraulic extension tunnel

Hydraulic extension tunnel	302
4812246713 Left main extension plate	305
4812246714 Right main extension plate	307
Oil tube protect plate	309
Extend auger 380-1 left	311
Extend auger 380-1 right	313
Tunnel option hydraulic kit	315

Auger for 15 ft paving width

Auger for 15 paving width	317
Extend auger 380-2 left	319
Extend auger 380-1 left	See page 311
Left bearing retainer assembly	321
Bearing retainer assembly	323
4812248911 Chute plate	325
4812248909 Chute plate	327
Right bearing retainer assembly	329
Extend auger 380-1 right	See page 313
Extend auger 380-2 right	331
4812248906 Chute plate	333

Extension auger 1ft kit

Extension auger 1 FT kit	336
4812248823 Left extension auger 1FT kit	339
Extend auger 380-2 left	See page 319
Extend auger 380-1 left	See page 311
4812248825 Right extension auger 1FT kit	341
Extend auger 380-2 right	See page 331
Extend auger 380-1 right	See page 313

Extension auger 2ft kit

Extension auger 2FT kit	344
4812248826 Left extension auger 2FT kit	347
Extend auger 380-1 left	See page 311
Extend auger 380-2 left	See page 319
4812248829 Right extension auger 2FT kit	349
Extend auger 380-2 right	See page 331
Extend auger 380-1 right	See page 313

Levelling scaleplate

4812248643 Leveling scaleplate	352
--------------------------------	-----

Leveling system

Kit, P-32 Dynapac paver	355
-------------------------	-----

Centralization lubrication

Centralization lubrication	357
----------------------------	-----

Hopper skirt

Hopper assembly with powerd AP

4812249317 Hopper assembly with powered AP	360
4812248688 Front plate option hydr. kit	363
4812249288 F800W left tube of front plate	365
4812249289 Right tube of front plate	367
Front plate hic option	369

4812249307 F800W front plate hose kit	371
Connector plate	373
Swinging arm RH	375
Swinging arm LH	377
Dam board hydro-cylinder assembly	379
Front hopper LH	381
Front hopper RH	383
Hopper assembly skirt rubber	385
Hopper assembly short rubber	387

Front wheel

Steering system four drive

4812248868 Steering system four drive	389
4812248691 F800W full assist hydrl kit	391
4812248672 Option F800W four driver	393
4812249290 Left assist tube	395
4812249291 Right assist tube	397
4812248721 Front motor assembly	399
4812248740 Support plate assembly	401
4812249310 F800W full assist hose kit	403

Steering system two drive

4812248880 Steering system two drive	405
4812248689 F800W half assist hydrl. kit	407
4812248671 Option F800W two drive assist	409
4812248721 Front motor assembly	See page 399
4812249309 F800W half assist hose kit	411
4812249300 Steering system no drive	414
D717904500 Umbrella	417

Accessories

Wash down system	419
D717909503 Spray wand	421
4812248855 F800W decal	423
4812249314 Screed decal	426
D717955090 Uptime kit	429
4812203014 F800W manual kit	431

Service, repair and wear part kits Kit, startup, 100hr

NO EXPLODED VIEW
AVAILABLE
FOR THIS BOM

Item	Part No.	Name	Qty	L	SN INFO
0	4812273240	Kit, startup, 100hr	1		
1	4812243054	Fuel pre filter element	1		
2	4812243053	Fuel filter element	1		
3	4812220749	Element, hg pr filter	1		
4	4812269103	Kit, seal	1		
5	D717951135	Kit, seal rkm400	1		
6	4812220771	Element, filter	1		

Service, repair and wear part kits Kit, Maintenance, 500hr

NO EXPLODED VIEW
AVAILABLE
FOR THIS BOM

Item	Part No.	Name	Qty	L	SN INFO
0	4812273241	Kit, Maintenance, 500hr	1		
1	4812220919	Engine oil filter	1		
2	4812243054	Fuel pre filter element	1		
3	4812243053	Fuel filter element	1		
4	4812220921	Airfilter main	1		
5	4812220922	Airfilter safety	1		

Service, repair and wear part kits Kit, Maintenance, 1000hr

NO EXPLODED VIEW
AVAILABLE
FOR THIS BOM

Item	Part No.	Name	Qty	L	SN INFO
0	4812273242	Kit, Maintenance, 1000hr			
1	4812220919	Engine oil filter	1		
2	4812243054	Fuel pre filter element	1		
3	4812243053	Fuel filter element	1		
4	4812220921	Airfilter main	1		
5	4812220922	Airfilter safety	1		
6	4812220749	Element, hg pr filter	1		
7	4812269103	Kit, seal	1		
8	D717951135	Kit, seal rkm400	1		
9	4812220771	Element, filter	1		

Service, repair and wear part kits Kit, Maintenance, 2000hr

NO EXPLODED VIEW
AVAILABLE
FOR THIS BOM

Item	Part No.	Name	Qty	L	SN INFO
0	4812273243	Kit, Maintenance, 2000hr	1		
1	4812220919	Engine oil filter	1		
2	4812243054	Fuel pre filter element	1		
3	4812243053	Fuel filter element	1		
4	4812220921	Airfilter main	1		
5	4812220922	Airfilter safety	1		
6	4812220920	Belt, v-ribbed	1		
7	4812220749	Element, hg pr filter	1		
8	4812269103	Kit, seal	1		
9	D717951135	Kit, seal rkm400	1		
10	4812220771	Element, filter	1		
11	4812273370	Element, Breather	1		

Service, repair and wear part kits Kit, Hopper skirt

NO EXPLODED VIEW
AVAILABLE
FOR THIS BOM

Item	Part No.	Name	Qty	L	SN INFO
0	4812273377	Kit, Hopper skirt	1		
1	4812246660	Rubber plate	2		
2	4812245169	Press plate	2		

Service, repair and wear part kits Hopper assembly, short rubber

NO EXPLODED VIEW
AVAILABLE
FOR THIS BOM

Dynapac F800w Parts

Full download: <http://manualplace.com/download/dynapac-f800w-parts/>

Parts Online

F800W (IV/T4) s/n 10002018CFC005181 -

Item	Part No.	Name	Qty	L	SN INFO
0	4812247914	Hopper assembly, short rubber	1		
1	4812246363	Rubber plate	2		
2	4812246369	Rubber plate	1		

Refer to the Parts Online web page for most up-to-date information. The printed information might be outdated.