

# F 1000W

---

## Spare parts list

### Wheeled Paver

F1000W s/n 10002017JFC004604 -

Engine: QSB6.7-C225, IV/T4



## **General information**

Use only authorized parts. Any damage or malfunction caused by the use of unauthorized parts is not covered by Warranty or Product Liability. Any unauthorized use or copying of the contents or any part thereof is prohibited. This applies in particular to trademarks, model denominations, part numbers, and drawings.

### **Instructions for use**

This spare parts list contains no safety regulations and is merely intended to assist in the ordering of spare parts.

For information about operating, servicing, or repairing, the relevant Safety and operating instructions must be consulted at all costs.

Please observe the safety instructions listed in the relevant Safety and operating instructions!

Contents

**F1000W (IV/T4) s/n 10002017JFC004604 -**

**Service, repair and wear part kits**

Service kit, wheel paver, T4i . . . . . 1  
4812269054 Kit, start up, 100 Hrs . . . . . 3  
4812269055 Kit, Maintenance, 500 Hrs . . . . . 5  
4812269056 Kit, Maintenance, 1000 Hrs . . . . . 7

**4812224490 Auger extensions**

4812224490 Auger extensions . . . . . 9  
D722182100 Extension, left . . . . . 11  
D722182200 Extension, right . . . . . 13  
D299010014 Kit, Inboard bearing, A . . . . . 15  
4812224489 Auger extensions . . . . . 17  
4812269057 Kit, hopper skirt . . . . . 19  
4812244099 Kit, Hopper skirt - Low version . . . . . 21  
4812269058 Kit, Chain, conveyor drive, track paver . . . . . 23  
4812269059 Kit, chain, conveyor . . . . . 25

**4812224488 Auger extensions**

4812224488 Auger extensions . . . . . 27  
D722182300 Extension, left . . . . . 29  
D722182400 Extension, right . . . . . 31  
4812269060 Kit, guide, conveyor . . . . . 33  
4812269061 Kit, wear plate . . . . . 35  
4812269062 Kit, sprocket, conveyor . . . . . 37  
4812224504 Screed connecting parts . . . . . 39  
D717954677 Kit, outboard bearing . . . . . 41  
4812269064 Kit, conveyor bearing . . . . . 43  
4812269086 Kit, rear plate, wheel . . . . . 45  
4812269087 Kit, rear plate, track . . . . . 47  
Auger lubrication . . . . . 49  
4812222082 Key . . . . . 51  
4812269105 Kit, Auger reinforcement . . . . . 53  
D717955090 Uptime kit . . . . . 55

**Mechanical**

**Frame, assembly**

Frame, assembly . . . . . 57  
Front conveyor cover, assembly . . . . . 61  
Guide pole, assembly . . . . . 63  
4812224049 Fume extractor, assembly . . . . . 65  
4812223634 Cover, air filter, assembly . . . . . 67

**4812223939 Push roller crosshead**

4812223939 Push roller crosshead . . . . . 69  
4812223943 Roller assembly . . . . . 71

**Auger, assembly**

Auger, assembly . . . . . 73

**4812246868 Auger assembly without flight**

Auger assembly without flight . . . . . 76

**D722180000 Auger**

D722180000 Auger . . . . . 79  
D754111500 Pipeline, grease, auger . . . . . 81

D722181600 Auger	83
D756183300 Auger gear	85
D722183400 Engine support	89
Hose retention, assembly	91
Auger lubrication	See page 49
<b>Conveyor, assembly</b>	
Conveyor, assembly	93
<b>Conveyor drive complete</b>	
Conveyor drive complete	95
Assembly, Motor and gear box	97
Assembly, Drive, conveyor	99
Assembly, tension	101
4812224107 Conveyor chain	103
4812224115 Conveyor lubrication assembly	105
<b>Hopper assembly, 10FT</b>	
Hopper, assembly	107
Hopper assembly, left side	109
Hopper assembly, right side	111
<b>Screed arm assembly</b>	
Screed arm assembly	113
Assembly, slope arm	116
<b>Steering complete</b>	
Steering complete	119
Suspension, wheel	123
4812224156 Steering link	126
4812224158 Steering link	129
4812224160 Steering link, assembly	131
Steering sensor, assembly	133
4812224504 Screed connecting parts	See page 39
<b>Operator platform</b>	
Platform assembly, complete	135
Hood frame, assembly	139
LH operator station, assembly	141
RH operator station, assembly	144
Side doors, platform assembly	147
Footwell assembly	149
Divider complete, assembly	151
4812224000 Cooler shroud assy	154
Door assembly	158
Assembly, anti-slip tape	163
Storage box	165
Foam assembly complete - wheel	167
Fender, platform assembly	170
Seat lock, assembly	173
4812223254 Chain assy, operator station	175
<b>Engine</b>	
F1000T/W engine system	177
<b>Engine system</b>	
Engine system	179
<b>Engine part</b>	
Engine part	183

4812222043 Air cleaner	185
Hose, engine oil drain	187
Mounting Bracket Assembly	189

### Cooling system

Cooling system	191
4812222304 Combi cooler	195
Exhaust system	197

### Drive

#### Rear axle, assembly

Rear axle, assembly	199
D717170600 Gearbox, track drive	202
D717171014 Motor, propel	207
4812200107 Wheel assembly-rear	212

### Hydraulic system

#### Hydraulic component assembly

Assembly, Hydraulic component	215
D717091001 Auger lift cylinder	220
D717091503 Cylinder, screed level, front	223
D717091501 Cylinder, hopper pivot	225

#### Valve bank, rear work function

Valve bank, rear, work function	227
D717091507 Valve bank, rear work function	229
Hydraulic tank assembly	231
Hose kit for F1000W T4F	235

#### Front manifold

Front manifold	241
4812200104 Front manifold	243
Assembly, tow point indicator	246
Case drain manifold assembly	249

#### HIC assy, propel gearbox & pump

HIC assy, propel gearbox & pump	251
D717090503 HIC,propel gearbox & pump	253

#### Valve assy, vibration

Valve assy, vibration	255
D717091508 Valve, vibration	257
Fuel tank, assembly	259

### Pump drive

Pump drive	263
4812200078 Gear box, splitter	268
D716191000 Pump, propel front	273
D716191500 Pump, propel rear	282
D717194500 Pump, conveyor/ work, assembly	292
D717192500 Pump, auger tandem, assembly	297
D717193001 Pump, vibration	306
4812222519 Gear pump, fan drive	309
D717193500 Pump, generator, assembly	311
4812222520 Fitting, assembly	320

### Electric system

## 4812247291 Electric system, F1000W T4F

4812247291 Electric system	323
Generator drive	327
D717100506 Motor, hydraulic	329
Kit, lovejoy coupling	331
4812246972 Assembly, DC control panel	333
Assembly, battery box	337
4812220887 Battery switch mount	339
4812247292 Operator console, LH	341
4812247252 Operator console, RH	347
D717104500 Assembly, AC main panel	351
Lighting system Tier IV	353
Auger & conveyor controls	356
D717906000 Rooding lights assembly	359
Beacon assembly	361

## Options

4812224489 Auger extensions	See page 17
-----------------------------	-------------

## 4812222848 Front wheel assist

4812222848 Front wheel assist	363
4812241708 HIC assy, front wheel assist	366
4812241709 Valve assy, steering priori	369
4812222838 Option, Tunnel extensions kit	371
4812222846 Hand rail assembly	373

## 4812224490 Auger extensions

4812224490 Auger extensions	See page 9
D722182100 Extension, left	See page 11
D722182200 Extension, right	See page 13

## 4812224488 Auger extensions

4812224488 Auger extensions	See page 27
D722182300 Extension, left	See page 29
D722182400 Extension, right	See page 31

## 4812222847 Kit, wide width paving

4812222847 Kit, wide width paving	375
4812222838 Option, Tunnel extensions kit	See page 371
4812224357 Kit, mounting components	378
D722182300 Extension, left	See page 29
D722182100 Extension, left	See page 11
D722182400 Extension, right	See page 31
D722182200 Extension, right	See page 13

## Accessories

4812222082 Key	See page 51
D717905000 Auxiliary power panel	382

## Decal installation

Decal installation	385
4812220077 Screed reflector strip tape	390
4812220078 Screed reflector strip tape	393
4812220079 Screed reflector strip tape	395
4812220080 Screed reflector strip tape	397
4812220082 Screed reflector strip tape	399
4812220095 Screed reflector strip tape	401
4812220081 Screed reflector strip tape	403

**4812224333 Wash down, assembly**

4812224333 Wash down, assembly .....	405
D717909501 Tank, wash down .....	407
D717909503 Spray wand, wash down .....	409
D717909508 Hose, wash down suction .....	411
D717909509 Hose, pump to hose reel .....	413
Appendix B:Parts Index .....	415





**Service, repair and wear part kits** Service kit, wheel paver, T4i

**NO DRAWING  
AVAILABLE  
FOR THIS BOM**

Item	Part No.	Name	Qty	L	SN INFO
1	4812269054	Kit, startup, 100hr	1		
2	4812269055	Kit, maintenance, 500hr	1		
3	4812269056	Kit, maintenance, 1000hr	1		
4	D299010014	Kit, inboard bearing	1		
5	4812224489	Kit, 11", auger extension	1		
6	4812224490	Kit, 17", auger extension	1		
7	4812224488	Kit, 34", auger extension	1		
8	4812269057	Kit, hopper front	1		
9	4812244099	Kit, hopper skirt-low version	1		
10	4812269058	Kit, chain, conveyor dirve	1		
11	4812269059	Kit, chain, conveyor	1		
12	4812269060	Kit, guide, conveyor	1		
13	4812269061	Kit, wear plate	1		
14	4812269062	Kit, sprocket, conveyor	1		
15	4812224504	Kit, screed, disconnect	1		
16	D717954677	Kit, outboard bearing	1		
17	4812269064	Kit, conveyor bearing	1		
18	4812269086	Kit, rear plate, wheel	1		
19	4812269087	Kit, rear plate, track	1		
20	4812200217	Auger lubrication	1		
21	D717955090	Uptime kit	1		
22	4812222082	Key replacement kit	1		
23	4812269105	Kit, Auger reinforcement	1		

**Service, repair and wear part kits** 4812269054 Kit, start up, 100 Hrs

**NO DRAWING  
AVAILABLE  
FOR THIS BOM**

Item	Part No.	Name	Qty	L	SN INFO
1	4812220916	Pre-fuel filter element	1		
2	4812220918	Fuel filter element	1		
3	4812220885	Filter, replacement	1		
4	4812269104	Kit, seal	1		
5	4812220749	Element, hg pr filter	1		
6	4812269103	Kit, seal	1		
7	D717951135	Kit, seal rkm400	1		
8	4812220771	Element, filter	1		

Refer to Parts Online for the most up to date information. The printed information might be outdated.

Fri Apr 17 00:24:44 MDT 2015

**Service, repair and wear part kits** 4812269055 Kit, Maintenance, 500 Hrs

**NO DRAWING  
AVAILABLE  
FOR THIS BOM**

Item	Part No.	Name	Qty	L	SN INFO
1	4812220919	Engine oil filter	1		
2	4812220916	Pre-fuel filter element	1		
3	4812220918	Fuel filter element	1		
4	4812220921	Airfilter main	1		
5	4812220922	Airfilter safety	1		

---

Refer to Parts Online for the most up to date information. The printed information might be outdated.

Fri Apr 17 00:24:44 MDT 2015

**Service, repair and wear part kits** 4812269056 Kit, Maintenance, 1000 Hrs

**NO DRAWING  
AVAILABLE  
FOR THIS BOM**

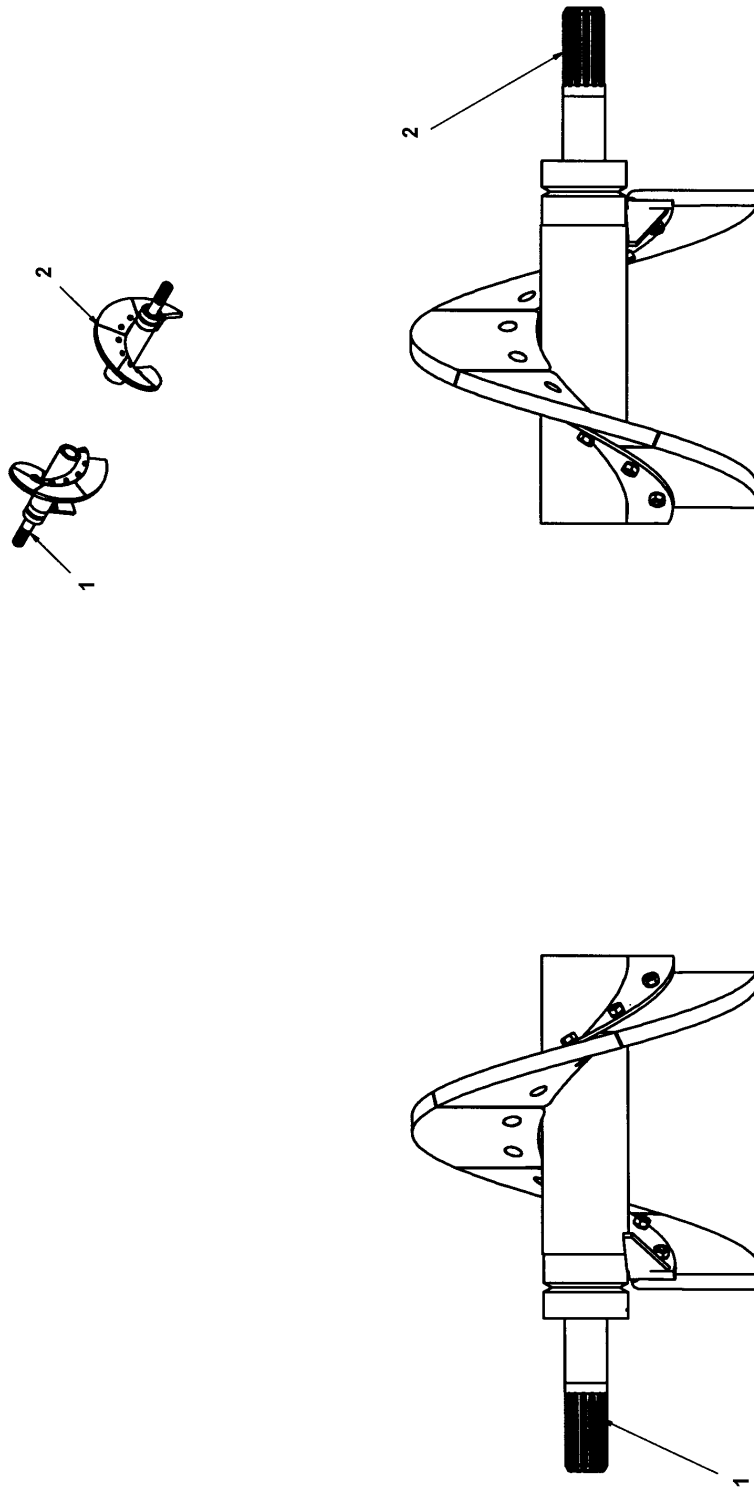
Item	Part No.	Name	Qty	L	SN INFO
1	4812220919	Engine oil filter	1		
2	4812220916	Pre-fuel filter element	1		
3	4812220918	Fuel filter element	1		
4	4812220921	Airfilter main	1		
5	4812220922	Airfilter safety	1		
6	4812220920	Belt, v-ribbed	1		
7	4812220885	Filter, replacement	1		
8	4812269104	Kit, seal	1		
9	4812220749	Element, hg pr filter	1		
10	4812269103	Kit, seal	1		
11	D717951135	Kit, seal rkm400	1		
12	4812220771	Element, filter	1		

Refer to Parts Online for the most up to date information. The printed information might be outdated.

Fri Apr 17 00:24:44 MDT 2015



**4812224490 Auger extensions** 4812224490 Auger extensions



Refer to Parts Online for the most up to date information. The printed information might be outdated.

Fri Apr 17 00:24:45 MDT 2015

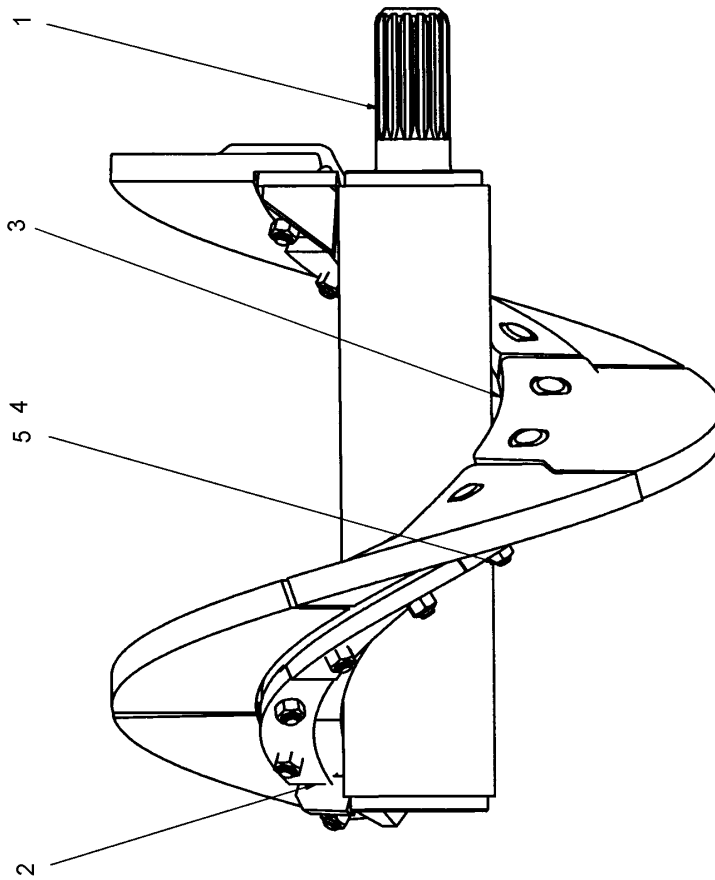
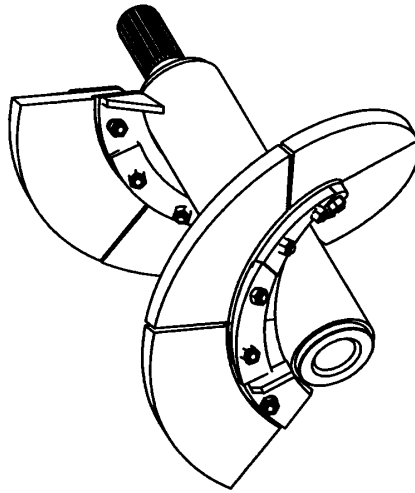
Item	Part No.	Name	Qty	L	SN INFO
1	D722182100	Extension, left	1		
2	D722182200	Extension, right	1		

---

Refer to Parts Online for the most up to date information. The printed information might be outdated.

Fri Apr 17 00:24:45 MDT 2015

**4812224490 Auger extensions** D722182100 Extension, left



Refer to Parts Online for the most up to date information. The printed information might be outdated.

Fri Apr 17 00:24:45 MDT 2015

# Dynapac F1000w Spare Parts List 4812247171

Full download: <http://manualplace.com/download/dynapac-f1000w-spare-parts-list-4812247171/>

Spare parts list

F1000W (IV/T4) s/n 10002017JFC004604 -

Item	Part No.	Name	Qty	L	SN INFO
1	4812042528	Auger shaft, l.h.	1		
2	4812241337	Wear plate LH	5		
3	4812244891	Wear segment, LH	6		
4	4812245546	Bolt	12		
5	0291118549	Hexagon nut	12		

---

Refer to Parts Online for the most up to date information. The printed information might be outdated.

Fri Apr 17 00:24:45 MDT 2015