

Dynapac Cc41 Vibrating Roller Spare Parts Catalogue

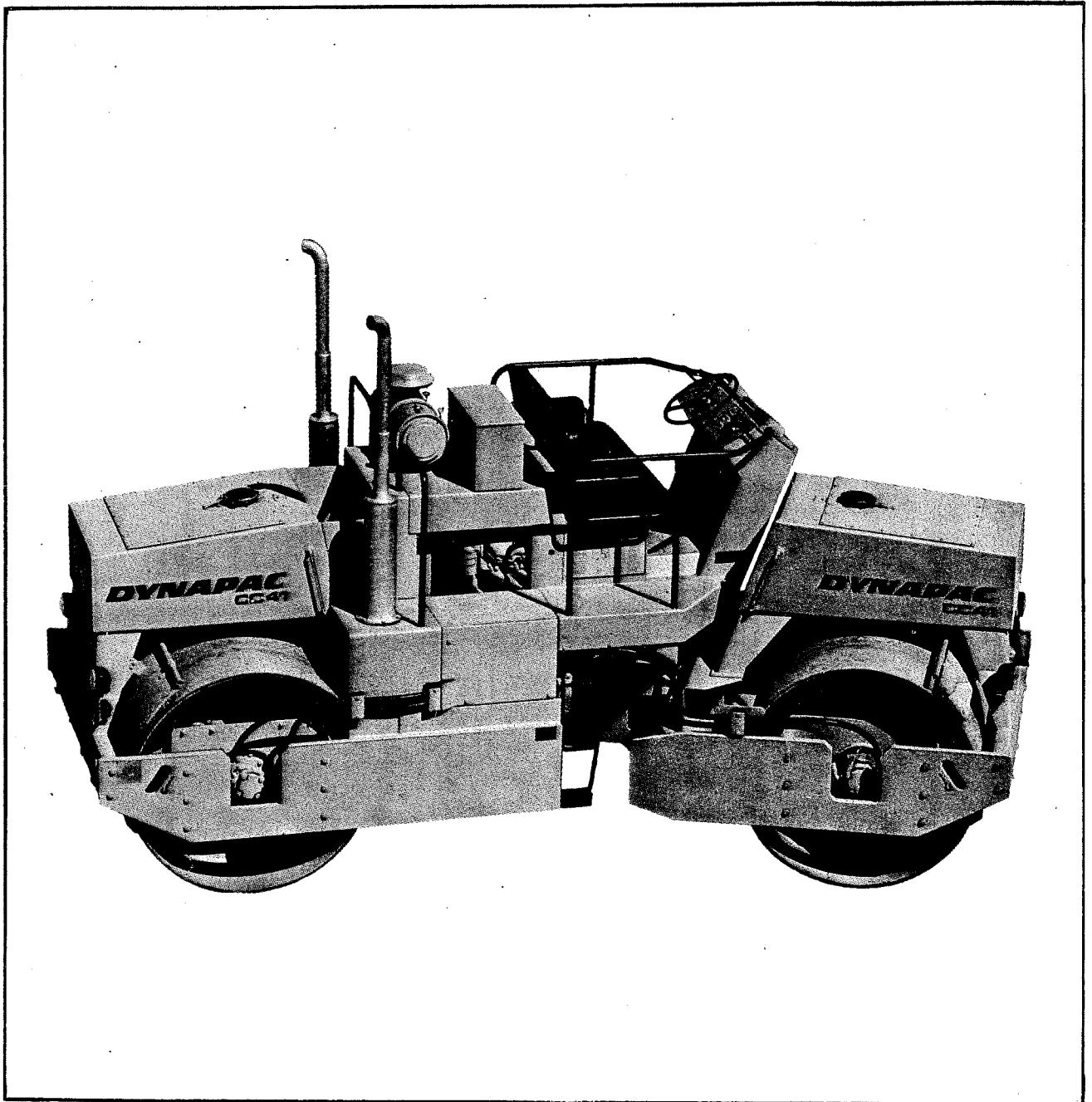
Full download: <http://manualplace.com/download/dynapac-cc41-vibrating-roller-spare-parts-catalogue/>

# DYNAPAC®

## SPARE PARTS CATALOGUE

### VIBRATING ROLLER CC 41

Caterpillar diesel engine D3145 - D3208



Dynapac offset 82.03.500

## DYNAPAC

Dynapac Heavy Equipment AB

PO Box 504·S-371 23 KARLSKRONA·SWEDEN

Tel. 0455-229 30·Telex 43041 dynkar

Telecopier 0455-295 39

We reserve the right to change specifications without notice

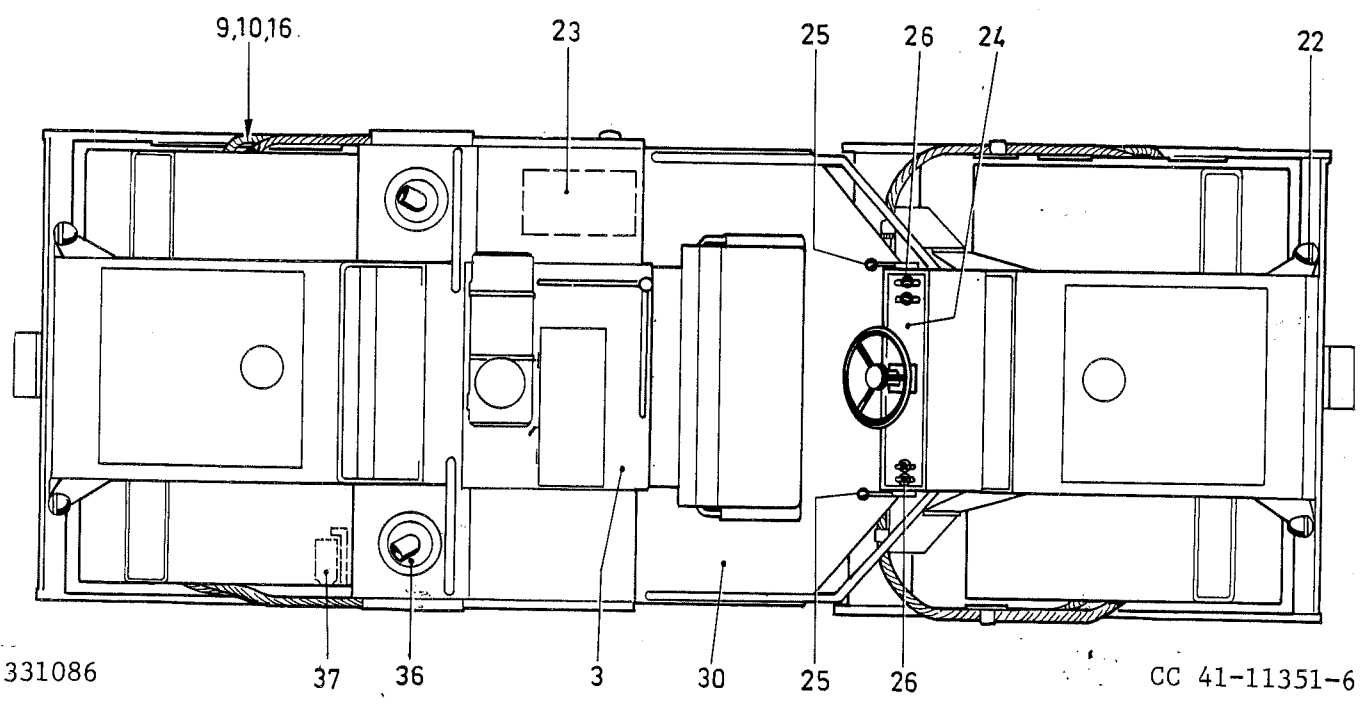
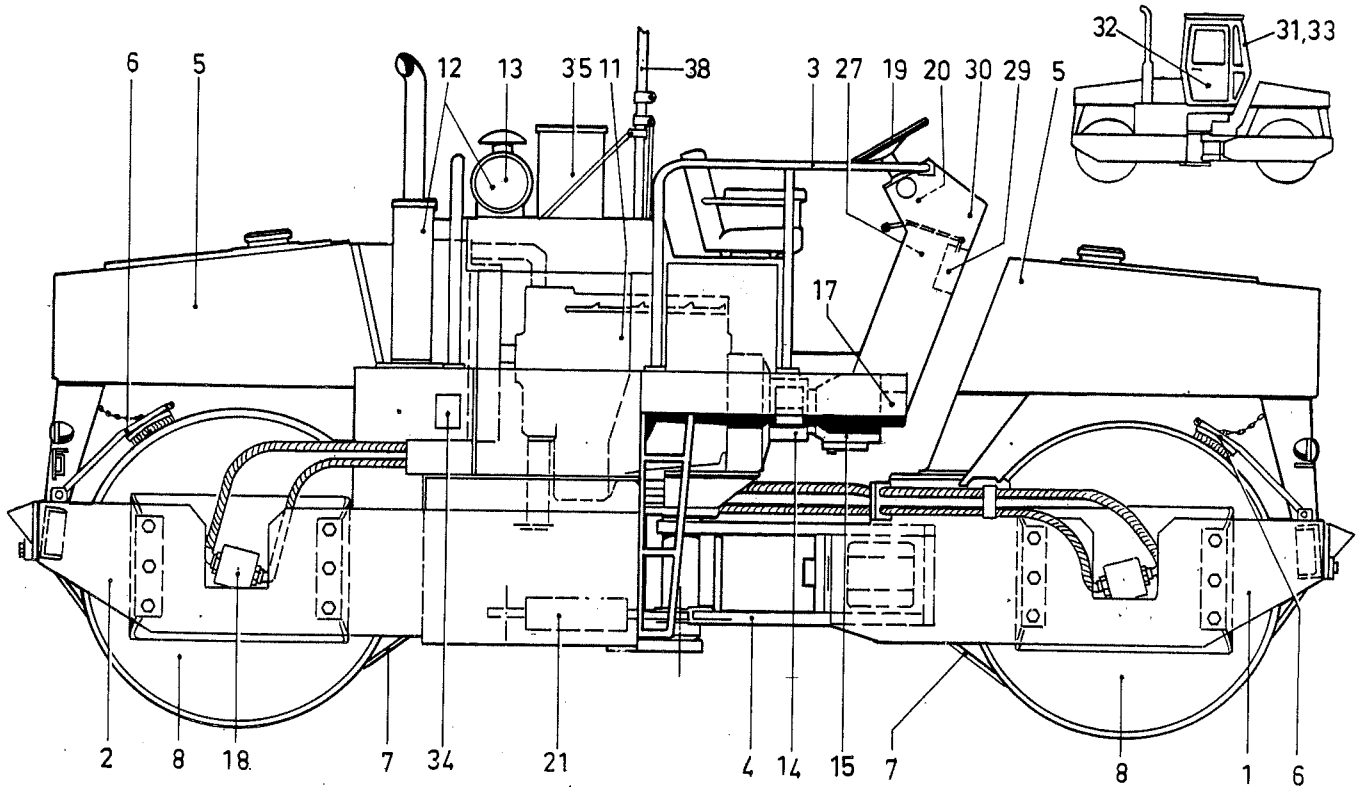
S-10059-4

Replaces

Ersätter

S-10059-3

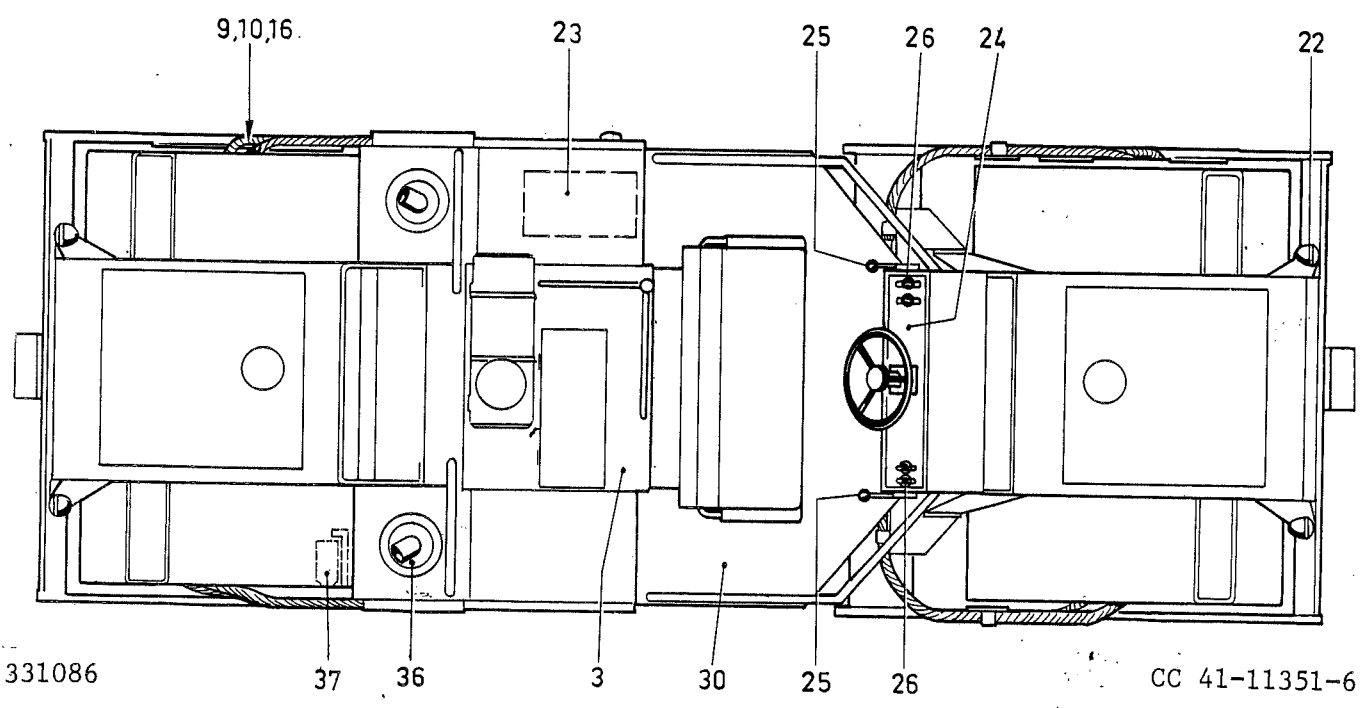
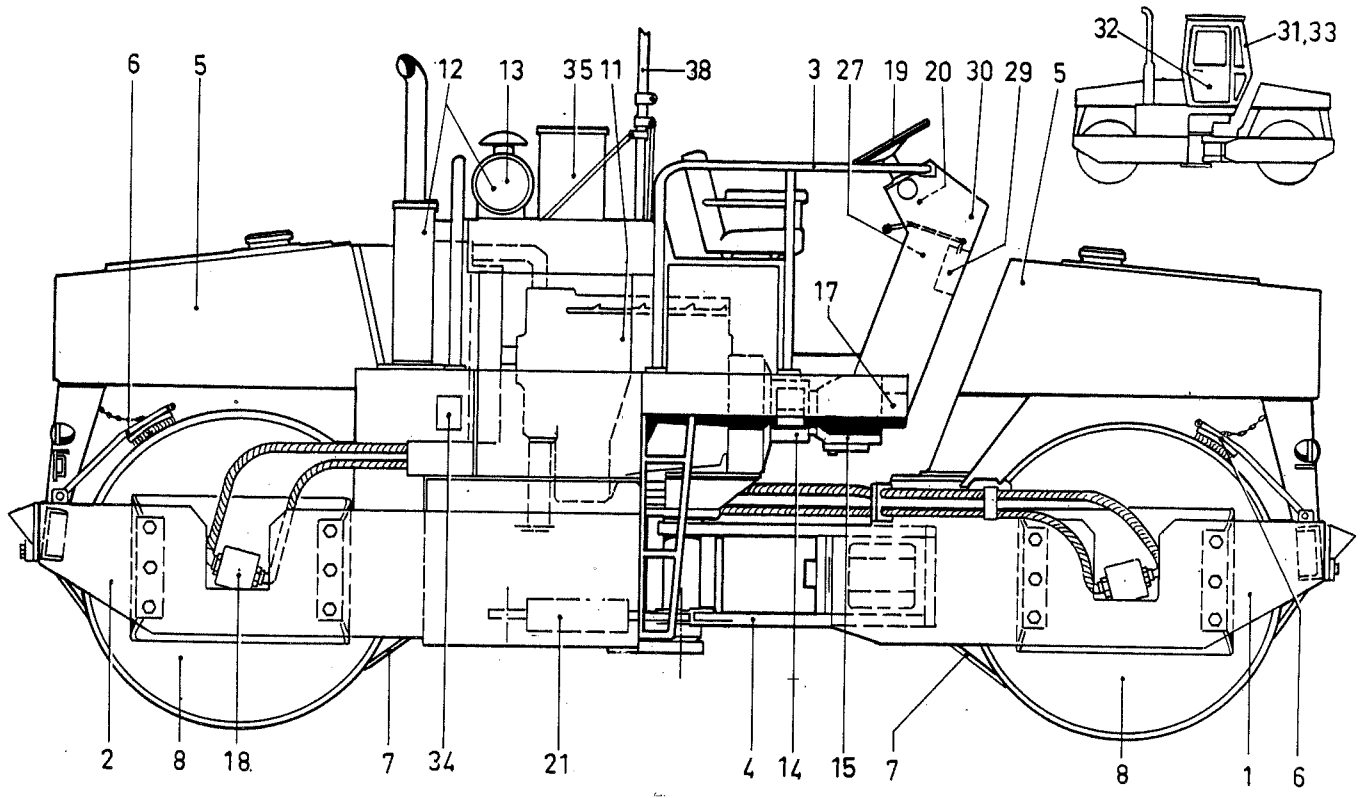
Page Sida	Group Grupp	Picture No Bild nr	Issue Utgåva	GENERAL VIEW Contents	HUVUDSAMMANSTÄLLNING Innehåll
2	00	1 1351-6	S-10059-4		
Ref Pos	Group Grupp	Description	Benämning	See page Se sid	
	Group 1	FRAME .....	RAM .....		
1		•Frame, front .....	•Ram, främre .....	2	
2		•Frame, rear .....	•Ram, bakre .....	4	
3		•Scuttles and handrail .....	•Luckor och räcken .....	6	
4		•Steering link .....	•Styrled .....	8	
5		•Water tanks .....	•Vattentankar .....	10	
6		•Sprinklers .....	•Bevattningsanordning .....	12	
7		•Scrapers .....	•Skrapor .....	18	
	Group 2	DRUM .....	VALS .....		
* 8		•Drum, cpl, Poclain .....	•Vals, kpl, Poclain .....	2	
* 9		•Drum, cpl, Prometheus .....	•Vals, kpl, Prometheus .....	6	
* 10		•Drum, cpl, Renondin .....	•Vals, kpl, Renondin .....	10	
11		•Drum drive unit, Prometheus .....	•Valsdrivning, Prometheus .....	14	
-		•Drum gear box, Prometheus .....	•Valsväxel, Prometheus .....	16	
12		••Brake, Prometheus .....	••Broms, Prometheus .....	20	
13		•Drum drive unit, Renondin .....	•Valsdrivning, Renondin .....	22	
-		•Drum gear box, Renondin .....	•Valsväxel, Renondin .....	24	
14		••Brake, Renondin .....	••Broms, Renondin .....	28	
	Group 3	ENGINE .....	MOTOR .....		
11		•Engine, Caterpillar D-3145 .....	•Motor, Caterpillar D-3145 .....	2	
12		•Engine, Caterpillar D-3208 .....	•Motor, Caterpillar D-3208 .....	6	
13		•Air intake and exhaust system .....	•Insug- och avgassystem .....	10	
-		••Air filter .....	••Luftfilter .....	12	
14		•Fuel system, Caterpillar D-3145 .....	•Bränslesystem, Caterpillar D-3145 .....	14	
		•Fuel system, Caterpillar D-3208 .....	•Bränslesystem, Caterpillar D-3208 .....	16	
		•Hydraulic pump gearing .....	•Fördelningsväxellåda .....		
		Funk .....	Funk .....	18	
		Renondin .....	Renondin .....	20	
	Group 4	TRANSMISSION .....	KRAFTÖVERFÖRING .....		
		Not applicable to CC 41 .....	Gäller ej för CC 41 .....		



331086

CC 41-11351-6

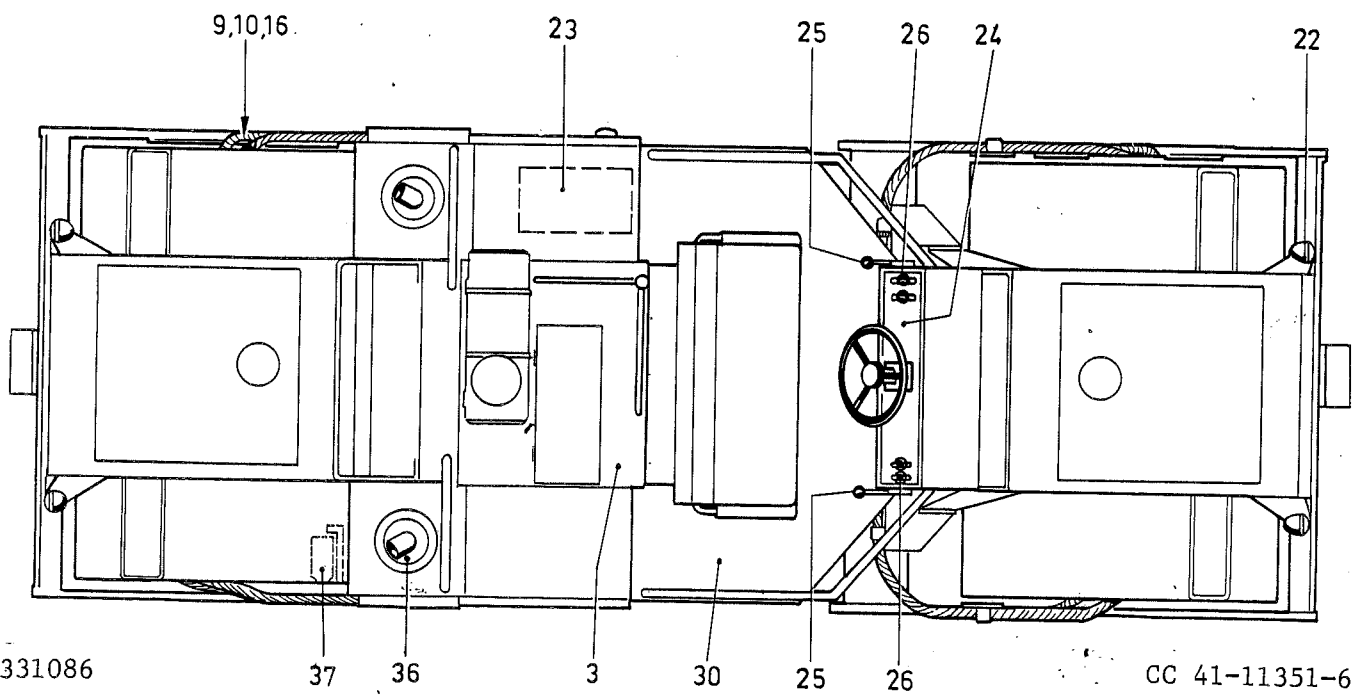
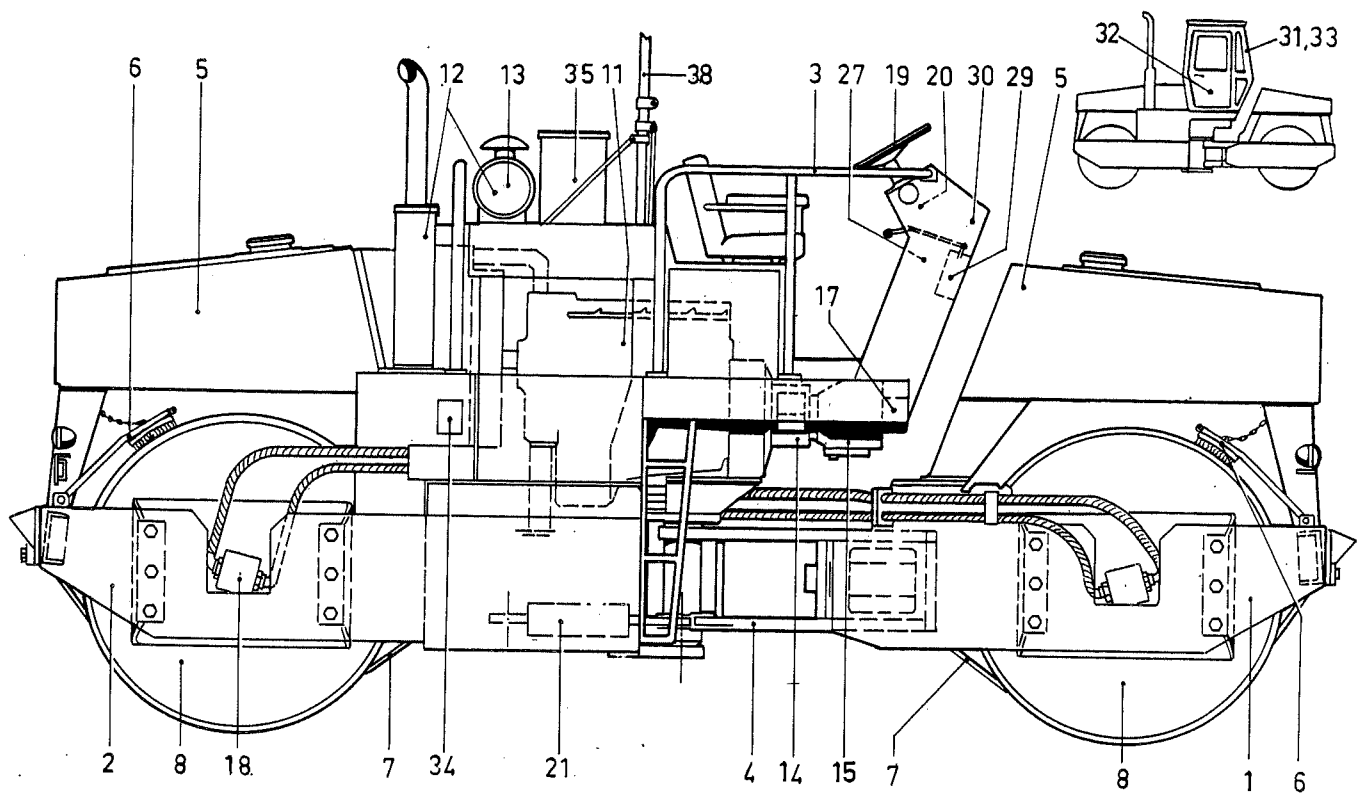
Page Sida	Group Grupp	Picture No Bild nr	Issue Utgåva	GENERAL VIEW Contents	HUVUDSAMMANSTÄLLNING Innehåll
4	00	1 135 1-6	S-10059-4		
Ref Pos	Group Grupp	Description	Benämning	See page Se sid	
	Group 5	HYDRAULIC SYSTEM .....	HYDRAULSYSTEM .....		
*		•Hydraulic diagram .....	•Hydraulschema .....	2	
*		•Hydraulic system, propulsion, Poclain ..	•Hydraulsystem, framdrivning, Poclain ..	4	
		•Hydraulic system, propulsion, .....	•Hydraulsystem, framdrivning, .....	10	
		Prometheus/Renondin	Prometheus/Renondin		
		••Valve block, Poclain .....	••Spolblock, Poclain .....	16	
		••Valve block, Prometheus/Renondin ....	••Spolblock, Prometheus/Renondin .....	18	
* 15		••Variable displacement pump, .....	••Hydraulpump, framdrivning .....	20	
		propulsion			
		•••Charge pump .....	•••Matarpump .....	24	
		••Hydraulic motor, propulsion, front, ....	••Hydralmotor, framdrivning, främre, ....	26	
		Poclain	Poclain		
		••Hydraulic motor, propulsion, rear, .....	••Hydralmotor, framdrivning, bakre, ....	28	
		Poclain	Poclain		
16		••Hydraulic motor, propulsion, .....	••Hydralmotor, framdrivning, .....	30	
		Prometheus/Renondin	Prometheus/Renondin		
		•Hydraulic system, vibration .....	•Hydraulsystem, vibration .....	32	
17		••Hydraulic pump, vibration and .....	••Hydraulpump, vibration och styrning ..	38	
		steering			
18		••Hydraulic motor, vibration .....	••Hydralmotor, vibration .....	44	
		••Hydraulic control valve, vibration .....	••Hydraulventil, vibration .....	46	
		•Hydraulic system, steering .....	•Hydraulsystem, styrning .....	50	
19		••Wheel tube .....	••Rattstång .....	52	
20		••Steering unit .....	••Styrventil .....	56	
21		••Steering cylinder .....	••Styrcylinder .....	58	
		•Hydraulic system, brake .....	•Hydraulsystem, broms .....	60	
		•Hydraulic oil filter, Poclain .....	•Hydrauloljefilter, Poclain .....	62	
		•Hydraulic oil filter, .....	•Hydrauloljefilter, .....	64	
		Prometheus/Renondin	Prometheus/Renondin		
	Group 6	ELECTRICAL EQUIPMENT .....	ELEKTRISK UTRUSTNING .....		
22		•Electrical equipment .....	•Elektrisk utrustning .....	2	
23		•Battery .....	•Batteri .....	8	
	Group 7	DRIVERS PLATFORM .....	FÖRARPLATS .....		
24		•Instruments and controls .....	•Instrument och reglage .....	2	
25		•Forward-reverse control .....	•Fram-back reglage .....	6	
26		•Vibration control .....	•Vibrationsreglage .....	8	
27		•Brake control, Poclain drum drive .....	•Bromsreglage, Poclain valsdrivning .....	10	
		without cab	utan hytt		
28		•Brake control, Poclain drum drive with	•Bromsreglage, Poclain valsdrivning .....	14	
		cab	med hytt		
		••Disc brake .....	••Bromsklave .....	18	
29		••Hydraulic pump .....	••Hydraulpump .....	20	
30		•Console .....	•Plattform .....	22	
31		•Cab rops .....	•Skyddshytt .....		
		••Cab, mounting .....	••Skyddshytt, montering .....	24	
32		••Cab, rops .....	••Skyddshytt .....	28	
33		••Cab heater and defroster .....	••Hyttvärmare och defroster .....	34	



331086

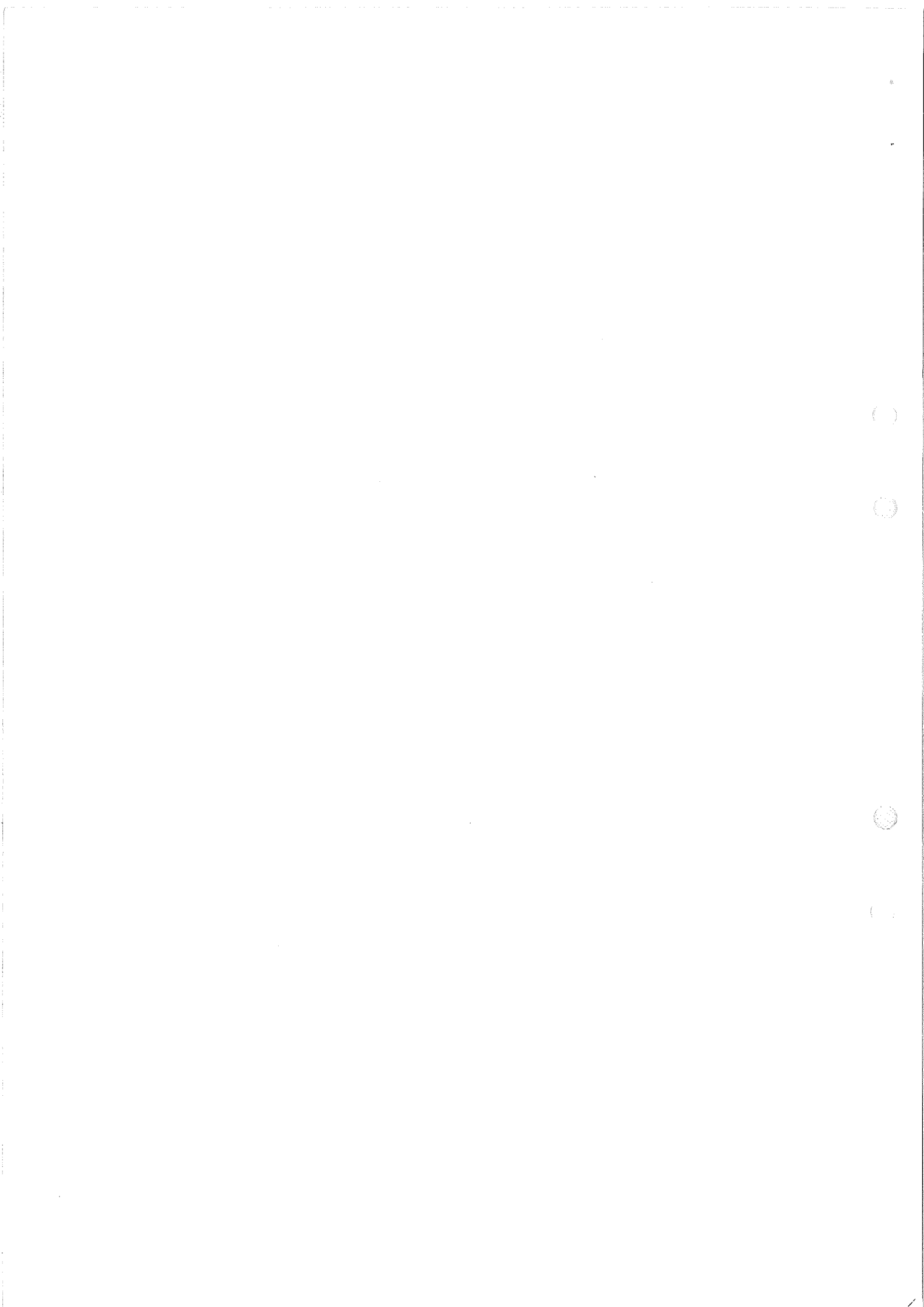
CC 41-11351-6

Page Sida	Group Grupp	Picture No Bild nr	Issue Utgåva	GENERAL VIEW Contents	HUVUDSAMMANSTÄLLNING Innehåll
6	00	11351-6	S-10059-4		
Ref Pos	Group Grupp	Description	Benämning	See page Se sid	
34	Group 8	DECAL .....	DEKAL .....		
-		•Plates and decals .....	•S skyltar och dekaler .....		
		•Swedish .....	•Svenska .....	2	
		•English .....	•Engelska .....	4	
		•German .....	•Tyska .....		
		•French .....	•Franska .....		
		•Spanish .....	•Spanska .....		
		•Italian .....	•Italienska .....		
* * 35	Group 9	EQUIPMENT .....	UTRUSTNING .....		
		•Equipment, standard .....	•Utrustning, standard .....	2	
* * -	Group 10	OPTIONAL EQUIPMENT .....	EXTRA UTRUSTNING .....		
		•Equipment, optional .....	•Utrustning, Extra .....	2	
		•Extra sprinkler mats .....	•Extra sprinklermattor .....	4	
36		•Noise suppression kit .....	•Ljudisoleringsssats .....	6	
37		•Automatic brake system, Poclain .....	•Automatiskt bromssystem, Poclain .....	18	
38		•Umbrella, Canopy and Rot. warning light	•Paraply, Solskydd och Rot. varningsljus	22	
-		•Compaction meter and printer .....	•Packningsmätare och siffertryckare .....	24	
* *	Group 11	NUMERICAL REGISTER .....	NUMMERREGISTER .....	2	



331086

CC 41-11351-6

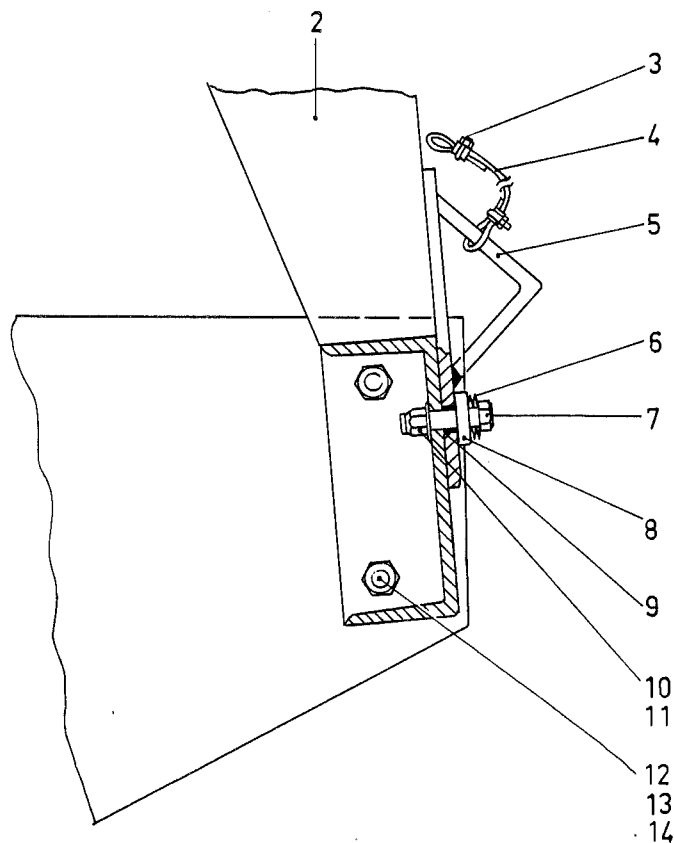
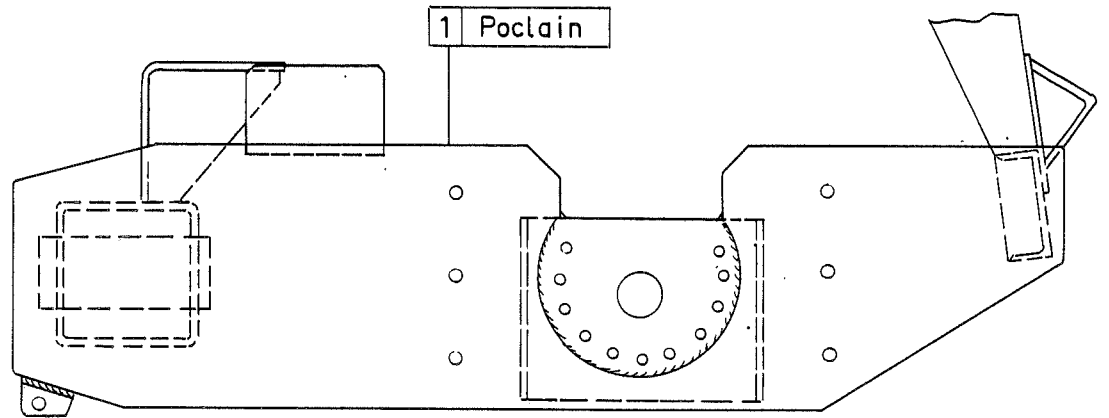
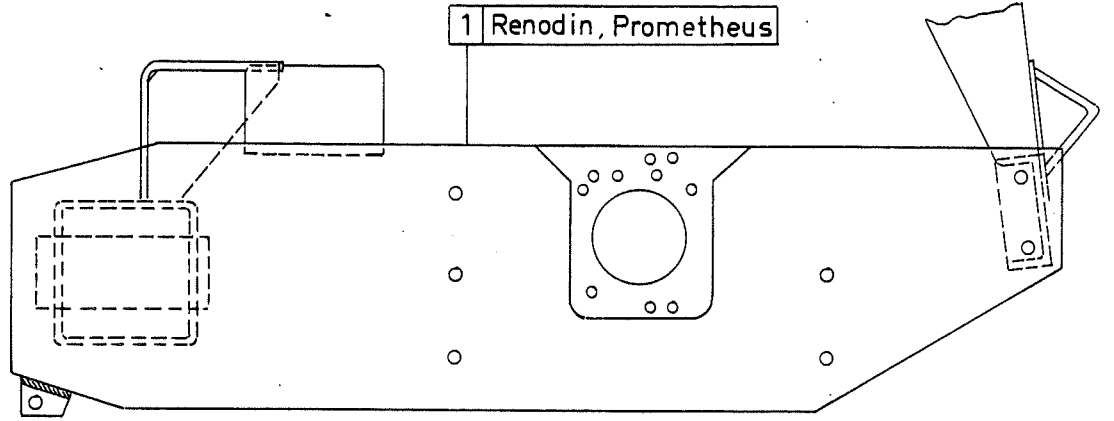






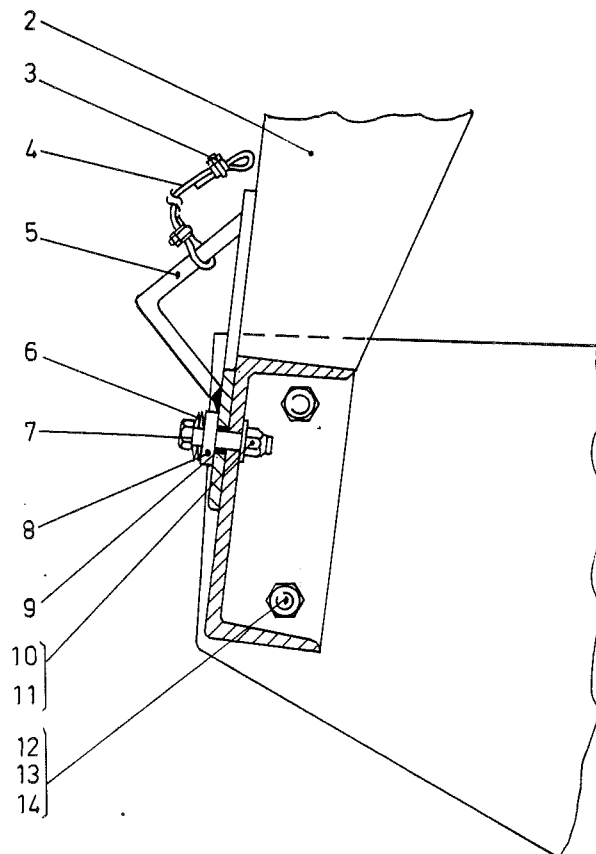
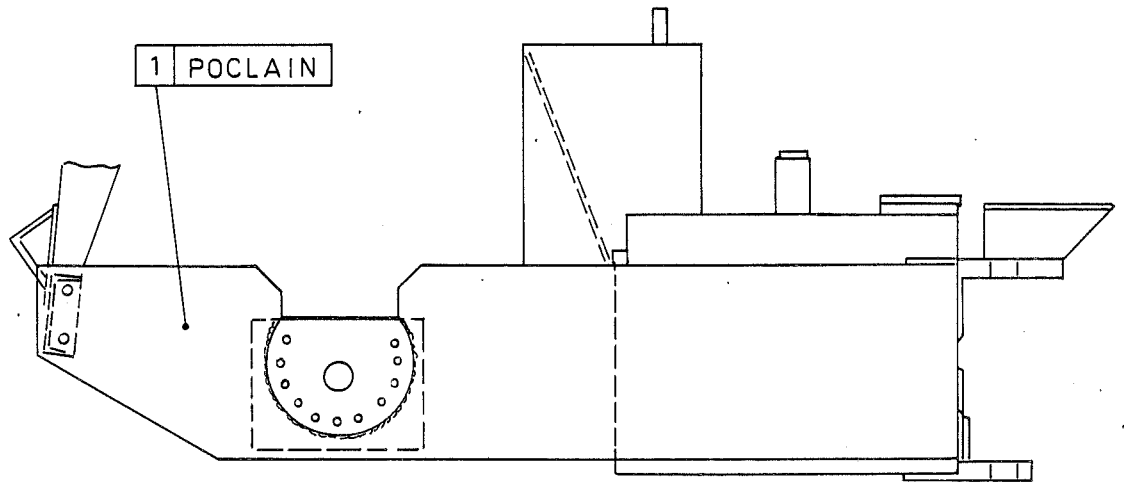
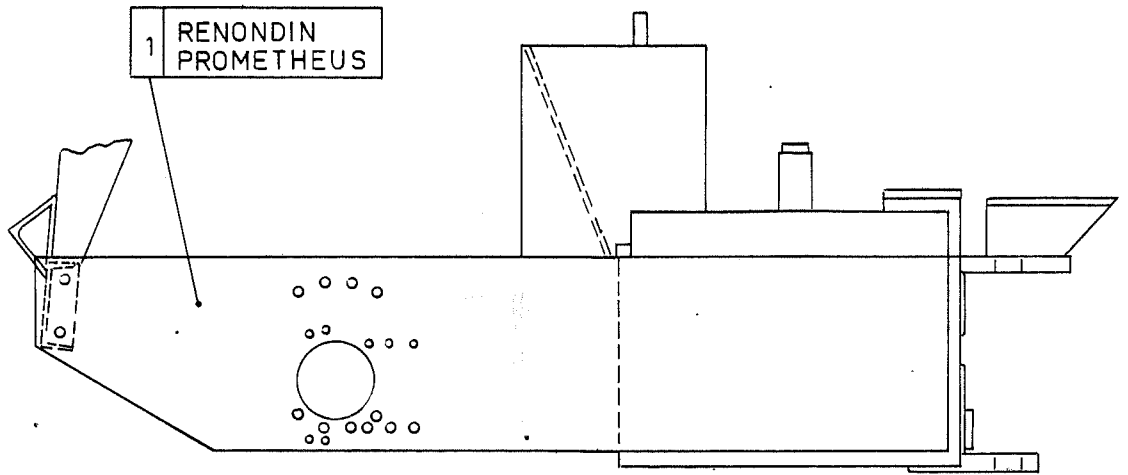
Page Sida		Group Grupp		Picture No Bild nr		Issue Utgåva		FRAME, FRONT		RAM, FRÄMRE	
2		01		12838-1		S-10059-4					
Ref Pos	Quantity/Antal			Part No Art nr	Description	Benämning	Note Anmärkning	C, P K, L			
	Typ CC										
	1)41	2)41	3)41								
1	1	-	-	33 60 48	Frame .....	Ram .....					
	-	1	1	433 60 48 01	Frame .....	Ram .....	-4951062				
	-	1	1	433 60 48 02	Frame .....	Ram .....	4951063-				
2	1	1	1	-	Water tank .....	Vattentank .....					
					Comps, page 10	Det. se sida 10					
3	2	2	2	45 70 55	Wire lock .....	Wirelås .....		0			
4	1xL	1xL	1xL	45 60 07	Wire .....	Wire .....	L = 1300 mm	0			
5	1	1	1	33 67 15	Brake chock .....	Bromsklots .....					
* 6	16	16	16	13 40 49	Cup spring .....	Brickfjäder .....		0			
7	2	2	2	50 20 63	Screw .....	Skruv .....		0			
8	1	1	1	33 67 13	Holder .....	Hållare .....					
9	2	2	2	33 67 14	Tube .....	Rör .....					
10	2	2	2	60 00 09	Washer .....	Bricka .....		0			
* 11	2	2	2	58 60 07	Nut .....	Mutter .....		0			
12	2	2	2	50 21 24	Screw .....	Skruv .....	Left Side	0			
	2	2	2	50 21 50	Screw .....	Skruv .....	Right side	0			
13	4	4	4	57 10 07	Nut .....	Mutter .....		0			
14	4	4	4	60 40 12	Spring washer .....	Fjäderbricka .....		0			

- 1) CC41 med Poclain valsdrivning  
CC41 with Poclain drum drive
- 2) CC41 med Prometheus valsdrivning  
CC41 with Prometheus drum drive
- 3) CC41 med Renondin valsdrivning  
CC41 with Renondin drum drive



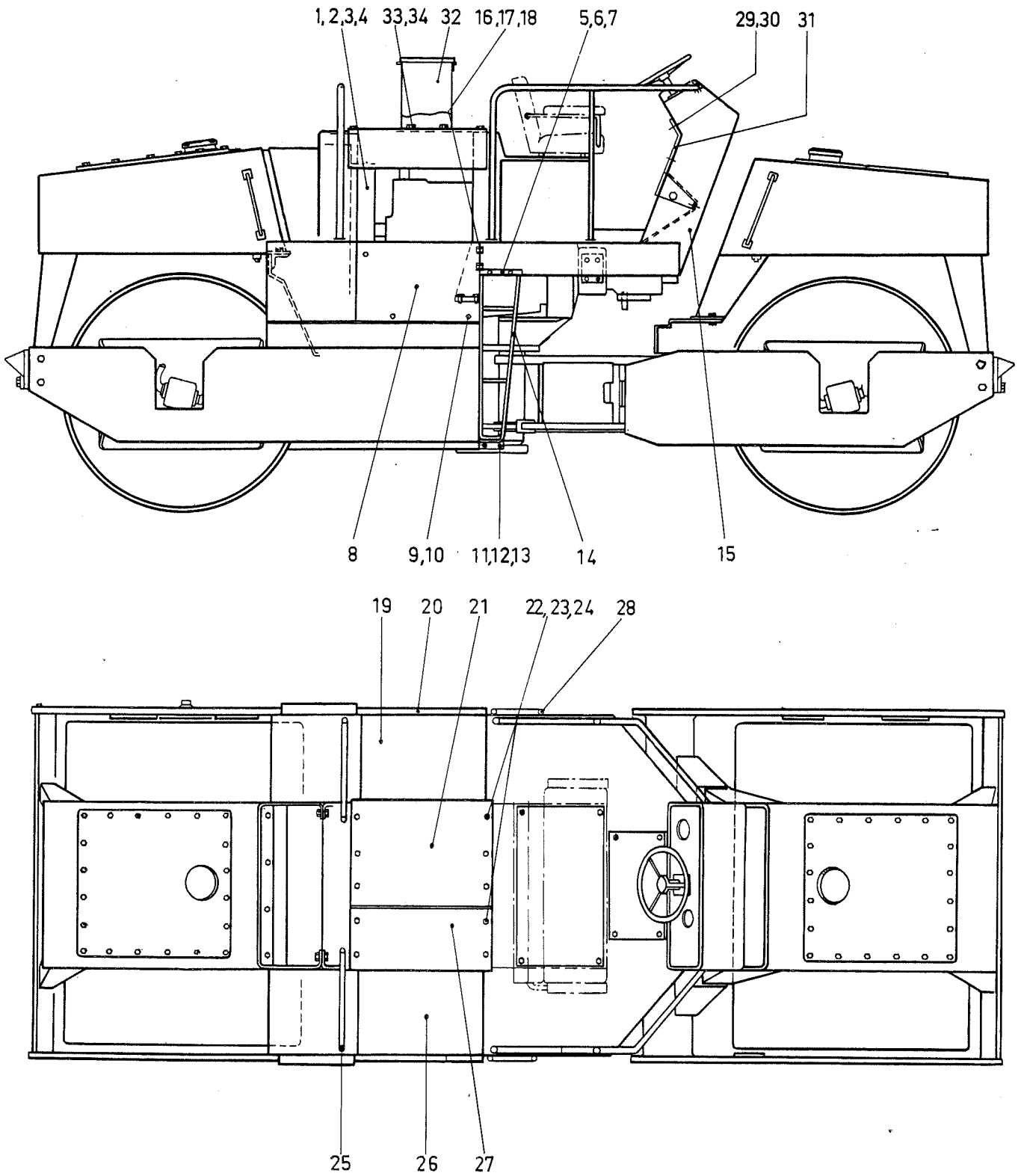
Page Sida		Group Grupp		Picture No Bild nr		Issue Utgåva		FRAME, REAR		RAM, BAKRE	
4		01		12850-1		S-10059-4					
Ref Pos	Quantity/Antal				Part No Art nr	Description	Benämning	Note Anmärkning	C, P K, L		
	Typ CC										
	1)41	2)41	3)41	41							
1	1	-	-	-	33 60 47	Frame .....	Ram .....	10)			
	1	-	-	-	33 73 52	Frame .....	Ram .....	12)			
	-	1	1	-	433 60 47 01	Frame .....	Ram .....	10) -4951062			
	-	1	1	-	433 60 47 02	Frame .....	Ram .....	10) 4951063-			
	-	1	1	-	433 73 52 01	Frame .....	Ram .....	12) -4951062			
	-	1	1	-	433 73 52 02	Frame .....	Ram .....	12) 4951063-			
2	1	1	1	-	-	Water tank .....	Vattentank .....				
						Comps, page 10	Det. se sida 10				
3	2	2	2	-	45 70 55	Wire lock .....	Wirelås .....			0	
4	1xL	1xL	1xL	-	45 60 07	Wire .....	Wire .....	L= 1300 mm		0	
5	1	1	1	-	33 67 15	Brake chock .....	Bromsklots .....			0	
* 6	16	16	16	-	13 40 49	Cup spring .....	Brickfjäder .....			0	
7	2	2	2	-	50 20 63	Screw .....	Skruv .....			0	
8	1	1	1	-	33 67 13	Holder .....	Hållare .....			0	
9	2	2	2	-	33 67 14	Tube .....	Rör .....			0	
10	2	2	2	-	60 00 09	Washer .....	Bricka .....			0	
* 11	2	2	2	-	58 60 07	Nut .....	Mutter .....			0	
12	2	2	2	-	50 21 24	Screw .....	Skruv .....	Left side		0	
	2	2	2	-	50 21 50	Screw .....	Skruv .....	Right side		0	
13	4	4	4	-	57 10 07	Nut .....	Mutter .....			0	
14	4	4	4	-	60 40 12	Spring washer .....	Fjäderbricka .....			0	

- 1) CC41 med Poclain valsdrivning  
CC41 with Poclain drum drive
- 2) CC41 med Prometheus valsdrivning  
CC41 with Prometheus drum drive
- 3) CC41 med Renondin valsdrivning  
CC41 with Renondin drum drive
- 10) CC41 utan hytt  
CC41 without cab
- 12) CC41 med hytt  
CC41 with cab



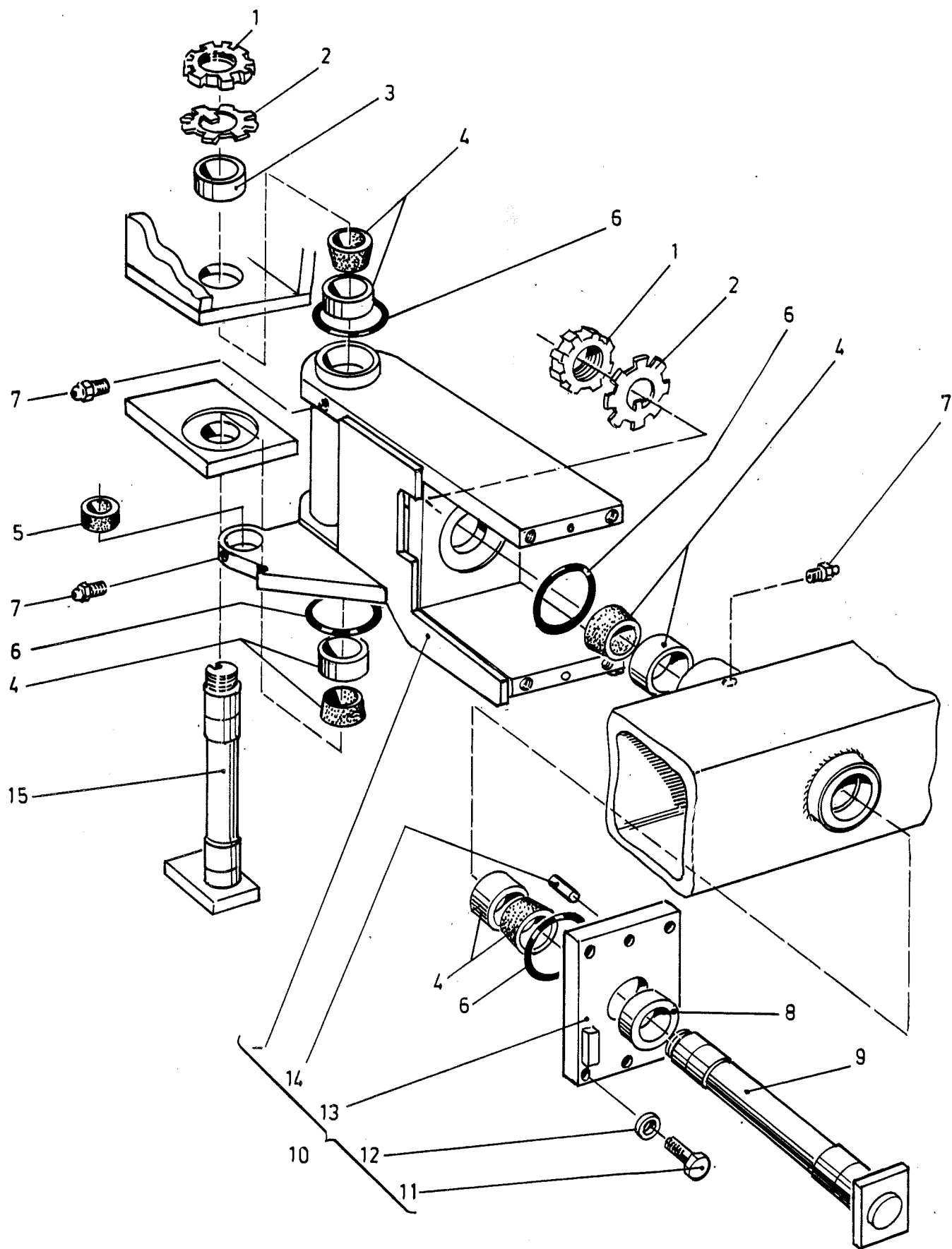
336047  
337352  
336711

Page Sida		Group Grupp		Picture No Bild nr		Issue Utgåva		SCUTTLES AND HANDRAIL LUCKOR OCH RÄCKEN	
6		01		12840-3		S-10059-4			
Ref Pos	Quantity/Antal			Part No Art nr	Description	Benämning	Note Anmärkning	C, P K, L	
	41								
1	1	-	-	33 70 25	Fan guard L. H .....	Fläktskydd, vänster .....			
2	1	-	-	433 70 25 01	Fan guard R. H .....	Fläktskydd, höger .....			
3	8	-	-	50 20 57	Screw .....	Skruv .....		0	
4	8	-	-	60 40 09	Spring washer .....	Fjäderbricka .....		0	
5	4	-	-	50 20 18	Screw .....	Skruv .....	10) -4951062	0	
	6	-	-	50 20 76	Screw .....	Skruv .....	10) 4951063-	0	
6	4	-	-	60 40 05	Spring washer .....	Fjäderbricka .....	10) -4951062	0	
	6	-	-	60 40 11	Spring washer .....	Fjäderbricka .....	10) 4951063-	0	
7	4	-	-	57 10 02	Nut .....	Mutter .....	10) -4951062	0	
	6	-	-	57 10 06	Nut .....	Mutter .....	10) 4951063-	0	
8	1	-	-	433 61 50 01	Cover plate .....	Täckplåt .....	-4951062		
	1	-	-	433 83 16 01	Cover plate .....	Täckplåt .....	4951063-		
9	6	-	-	50 20 57	Screw .....	Skruv .....		0	
10	6	-	-	60 40 09	Spring washer .....	Fjäderbricka .....		0	
11	4	-	-	50 20 59	Screw .....	Skruv .....	10) -4951062	0	
	4	-	-	50 20 76	Screw .....	Skruv .....	10) 4951063-	0	
12	4	-	-	60 40 09	Spring washer .....	Fjäderbricka .....	10) -4951062	0	
	4	-	-	60 40 11	Spring washer .....	Fjäderbricka .....	10) 4951063-	0	
13	4	-	-	57 10 05	Nut .....	Mutter .....	10) -4951062	0	
	4	-	-	57 10 06	Nut .....	Mutter .....	10) 4951063-	0	
14	2	-	-	33 61 51	Ladder .....	Lejdare .....	10) -4951062		
	1	-	-	433 73 38 01	Ladder, R.H. ....	Stege, höger .....	10) 4951063-		
15	1	-	-	-	Platform .....	Plattform .....	See group 7		
16	4	-	-	50 20 57	Screw .....	Skruv .....		0	
17	4	-	-	60 40 09	Spring washer .....	Fjäderbricka .....		0	
18	4	-	-	57 10 05	Nut .....	Mutter .....		0	
19	1	-	-	33 61 70	Wooden floor .....	Trädurk .....			
20	1	-	-	33 61 50	Cover plate .....	Täckplåt .....	-4951062		
	1	-	-	33 83 16	Cover plate .....	Täckplåt .....	4951063-		
21	1	-	-	33 59 32	Cover plate .....	Täckplåt .....	-4951184		
	1	-	-	34 27 45	Cover plate .....	Täckplåt .....	4951185-		
22	10	-	-	50 20 59	Screw .....	Skruv .....	-4951184	0	
	10	-	-	50 00 28	Screw .....	Skruv .....	4951185-	0	
23	10	-	-	60 40 09	Spring washer .....	Fjäderbricka .....	-4951184	0	
	10	-	-	60 00 08	Washer .....	Bricka .....	4951185-	0	
24	10	-	-	57 10 05	Nut .....	Mutter .....	-4951184	0	
25	2	-	-	33 59 01	Handrail .....	Räcke .....			
26	1	-	-	33 61 52	Wooden floor .....	Trädurk .....			
27	1	-	-	433 59 32 01	Cover plate .....	Täckplåt .....	-4951184		
	1	-	-	34 27 46	Cover plate .....	Täckplåt .....	4951185-		
28	1	-	-	33 73 38	Ladder, L.H. ....	Stege, vänster .....	10) 4951063-		
29	13	-	-	50 20 04	Screw .....	Skruv .....	10) 4951063-	0	
30	13	-	-	60 00 05	Washer .....	Bricka .....	10) 4951063-	0	
31	1	-	-	33 83 17	Front plate .....	Frontplåt .....	10) 4951063-		
32	1	-	-	33 59 99	Tool box .....	Verktygslåda .....	-4951184		
	1	-	-	34 01 53	Tool box .....	Verktygslåda .....	4951185-		
33	4	-	-	50 20 33	Screw .....	Skruv .....		0	
34	4	-	-	60 40 06	Spring washer .....	Fjäderbricka .....		0	

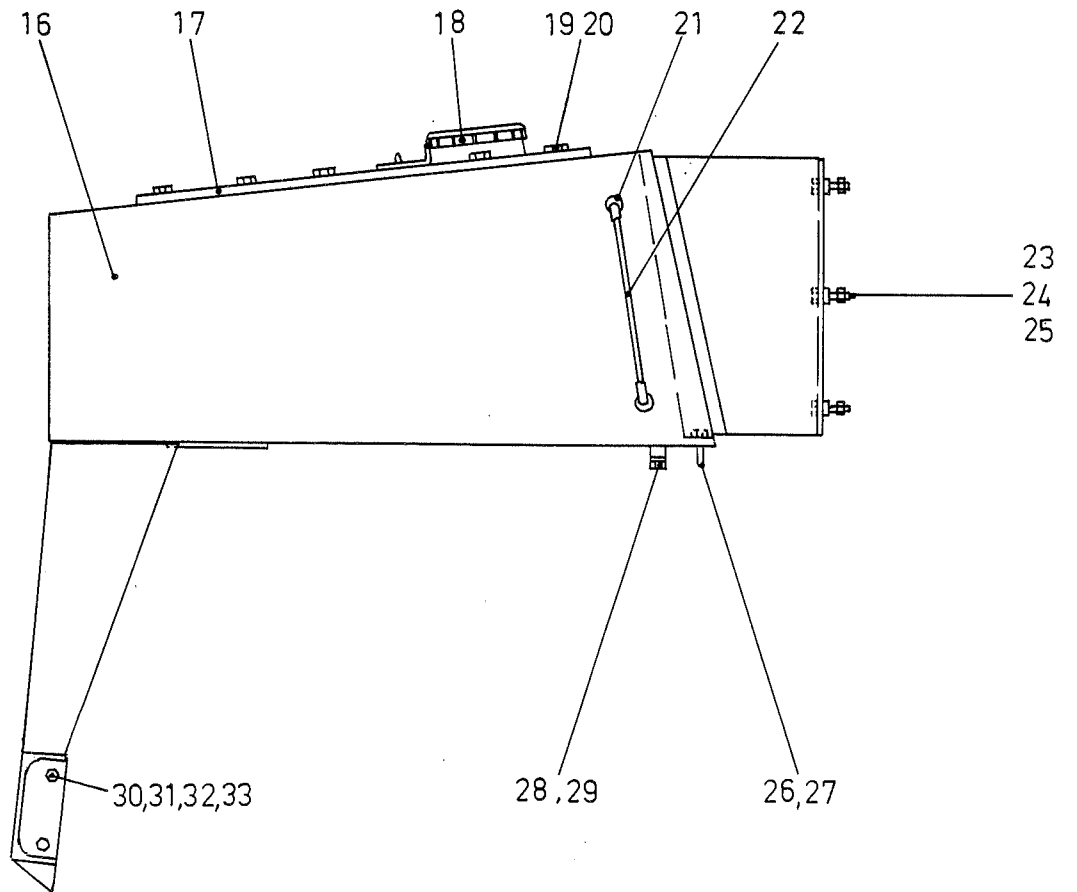
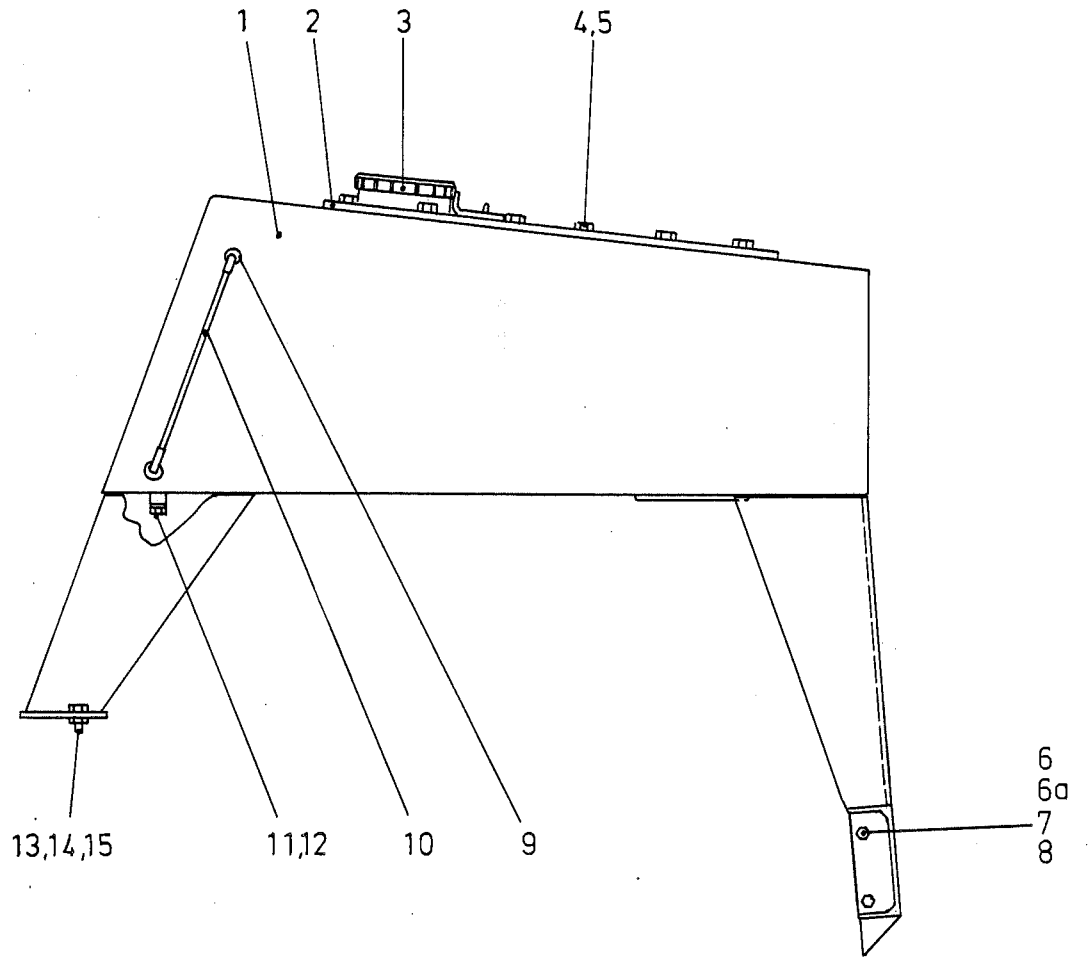


Page Sida		Group Grupp			Picture No Bild nr		Issue Utgåva		STEERING LINK		STYRLED	
8		01			12790-1		S-10059-4					
Ref Pos	Quantity/Antal				Part No Art nr	Description	Benämning	Note Anmärkning	C, P K, L			
	41											
1	2	-	-	-	81 34 68	Lock nut .....	Låsmutter .....		D03			
2	2	-	-	-	81 34 69	Lock washer .....	Låsbricka .....		D03			
3	1	-	-	-	33 56 26	Spacer .....	Distansring .....					
4	4	-	-	-	10 00 40	Bearing .....	Lager .....		D03			
5	2	-	-	-	81 33 16	Bearing .....	Lager .....		D03			
6	4	-	-	-	81 34 73	O-ring .....	O-ring .....		D03			
7	4	-	-	-	31 00 23	Grease fitting .....	Smörjnippel .....		0			
8	1	-	-	-	433 56 26 01	Spacer .....	Distansring .....					
9	1	-	-	-	33 56 25	Steering link pin .....	Styrlänkspinne .....					
10	1	-	-	-	33 58 45	Steering link .....	Styrlöd .....					
11	4	-	-	-	50 21 41	•Screw .....	•Skruv .....		0			
12	4	-	-	-	60 40 13	•Spring washer .....	•Fjäderbricka .....		0			
13	1	-	-	-	433 56 23 01	•Plate .....	•Plåt .....					
14	2	-	-	-	62 80 24	•Dowel pin .....	•Styrpinne .....		0			
15	1	-	-	-	33 56 24	Steering link pin .....	Styrlänkspinne .....					





Page Sida		Group Grupp			Picture No Bild nr		Issue Utgåva		WATER TANKS Front and rear		VATTENTANKAR Främre och bakre	
10		01			12779-1		S-10059-4					
Ref Pos	Quantity/Antal				Part No Art nr	Description	Benämning	Note Anmärkning	C, P K, L			
	41											
1	1	-	-	-	33 58 40	Front water tank .....	Främre vattentank .....	-4951062				
	1	-	-	-	433 58 40 01	Front water tank .....	Främre vattentank .....	4951063-				
2	1	-	-	-	33 59 08	Tank cover .....	Tanklock .....					
3	1	-	-	-	33 32 28	Cap .....	Lock .....		D-3			
4	20	-	-	-	50 20 18	Screw .....	Skruv .....		0			
5	20	-	-	-	60 40 05	Spring washer .....	Fjäderbricka .....		0			
6	2	-	-	-	50 21 50	Screw .....	Skruv .....	Right Side	0			
6a	2	-	-	-	50 21 24	Screw .....	Skruv .....	Left Side	0			
7	4	-	-	-	60 40 12	Spring washer .....	Fjäderbricka .....		0			
8	4	-	-	-	57 10 07	Nut .....	Mutter .....		0			
9	2	-	-	-	81 37 33	Hose connection .....	Inv slangkoppling .....		0			
10	1 × L	-	-	-	81 37 34	Transparent tube .....	Transparent rör .....	L = 325 mm	D03			
11	1	-	-	-	23 20 50	Plug .....	Plugg .....		0			
12	1	-	-	-	16 20 08	Seal ring .....	Tätningring .....		0			
13	4	-	-	-	50 20 77	Screw .....	Skruv .....		0			
14	4	-	-	-	60 40 11	Spring washer .....	Fjäderbricka .....		0			
15	4	-	-	-	57 10 06	Nut .....	Mutter .....		0			
16	1	-	-	-	33 58 31	Rear water tank .....	Bakre vattentank .....	-4951062				
	1	-	-	-	433 58 31 01	Rear water tank .....	Bakre vattentank .....	4951063-				
17	1	-	-	-	33 59 08	Tank cover .....	Tanklock .....					
18	1	-	-	-	33 32 28	Cap .....	Lock .....		D-3			
19	20	-	-	-	50 20 18	Screw .....	Skruv .....		0			
20	20	-	-	-	60 40 05	Spring washer .....	Fjäderbricka .....		0			
21	2	-	-	-	81 37 33	Hose connection .....	Inv slangkoppling .....		0			
22	1 × L	-	-	-	81 37 34	Transparent tube .....	Transparent rör .....	L = 325 mm	D03			
23	6	-	-	-	50 20 57	Screw .....	Skruv .....		0			
24	6	-	-	-	60 40 09	Spring washer .....	Fjäderbricka .....		0			
25	6	-	-	-	57 10 05	Nut .....	Mutter .....		0			
26	4	-	-	-	50 20 57	Screw .....	Skruv .....		0			
27	4	-	-	-	60 40 09	Spring washer .....	Fjäderbricka .....		0			
28	1	-	-	-	23 20 50	Plug .....	Plugg .....		0			
29	1	-	-	-	16 20 08	Seal ring .....	Tätningring .....		0			
30	2	-	-	-	50 21 50	Screw .....	Skruv .....	Right Side	0			
31	2	-	-	-	50 21 24	Screw .....	Skruv .....	Left Side	0			
32	4	-	-	-	60 40 12	Spring washer .....	Fjäderbricka .....		0			
33	4	-	-	-	57 10 07	Nut .....	Mutter .....		0			



335840  
335831

Page Sida	Group Grupp	Picture No Bild nr	Issue Utgåva	24) SPRINKLERS Front and rear	24) BEVATTNINGSANORDNING Främre och bakre			
12	01	12782-1	S-10059-4					
Ref Pos	Quantity/Antal			Part No Art nr	Description	Benämning	Note Anmärkning	C, P K, L
	41							
1	2	-	-	49 90 43	Strainer .....	Sil .....	-4951062	BO2
2	2	-	-	433 33 09 01	Gasket .....	Packning .....	-4951062	D 3
3	2	-	-	33 33 09	Gasket .....	Packning .....	-4951062	D 3
4	2	-	-	33 63 22	Bracket .....	Fäste .....	-4951062	
5	12	-	-	50 20 33	Screw .....	Skruv .....	-4951062	0
6	12	-	-	60 40 06	Spring washer .....	Fjäderbricka .....	-4951062	0
7	2xL	-	-	20 50 25	Hose .....	Slang .....	L = 230 mm -4951062	DO3
8	2	-	-	33 66 38	Internal guard .....	Spiral .....	-4951062	
9	4	-	-	92 10 85	Hose clip .....	Slangklämma .....	-4951062	0
10	2	-	-	33 40 49	Nipple .....	Nippel .....	-4951062	0
11	2	-	-	81 37 31	Solenoid valve .....	Magnetventil .....	-4951062	DO3
12	2	-	-	23 41 10	Nipple .....	Nippel .....	-4951062	0
13	2	-	-	33 30 31	Throttle valve .....	Strypventil .....	-4951062	0
14	2	-	-	33 10 83	T-pipe .....	T-rör .....	-4951062	0
15	2	-	-	33 20 53	Plug .....	Propp .....	-4951062	0
16	8	-	-	92 10 64	Clip .....	Klammer .....	-4951062	0
17	2	-	-	33 59 79	Sprinkler tube .....	Strilrör .....	-4951062	D 3
18	8	-	-	50 20 18	Screw .....	Skruv .....	-4951062	0
19	8	-	-	60 40 05	Spring washer .....	Fjäderbricka .....	-4951062	0
20	8	-	-	57 10 02	Nut .....	Mutter .....	-4951062	0
21	4	-	-	50 20 65	Screw .....	Skruv .....	-4951062	0
22	4	-	-	60 40 09	Spring washer .....	Fjäderbricka .....	-4951062	0
23	4	-	-	58 60 07	Nut .....	Mutter .....	-4951062	0
24	4	-	-	45 00 69	Rubber bushing .....	Gummibussning .....	-4951062	0
25	4	-	-	49 90 83	Plastic plug .....	Plastplugg .....	-4951062	DO3
26	2	-	-	33 59 83	Sprinkler mat .....	Kokosmatta .....	-4951062	B 2
27	24	-	-	63 50 02	Locking pin .....	Låspinne .....	-4951062	0
28	4	-	-	33 59 84	Lever .....	Arm .....	-4951062	
29	2	-	-	33 59 81	Holder .....	Hållare .....	-4951062	
30	8	-	-	50 20 36	Screw .....	Skruv .....	-4951062	0
31	8	-	-	60 40 06	Spring washer .....	Fjäderbricka .....	-4951062	0
32	8	-	-	57 10 03	Nut .....	Mutter .....	-4951062	0
33	4xL	-	-	41 80 08	Chain .....	Kätting .....	L = 360 mm -4951062	0
34	4	-	-	50 20 06	Screw .....	Skruv .....	-4951062	0
35	4	-	-	60 00 04	Washer .....	Bricka .....	-4951062	0
36	4	-	-	57 10 01	Nut .....	Mutter .....	-4951062	0
37	2	-	-	35 30 31	Hook .....	Krok .....	-4951062	0

24) Bakre montering visas. Antal gäller för summan av lika främre och bakre montering.

Rear installation shown. Quantities listed are for sum of equal front and rear inst.