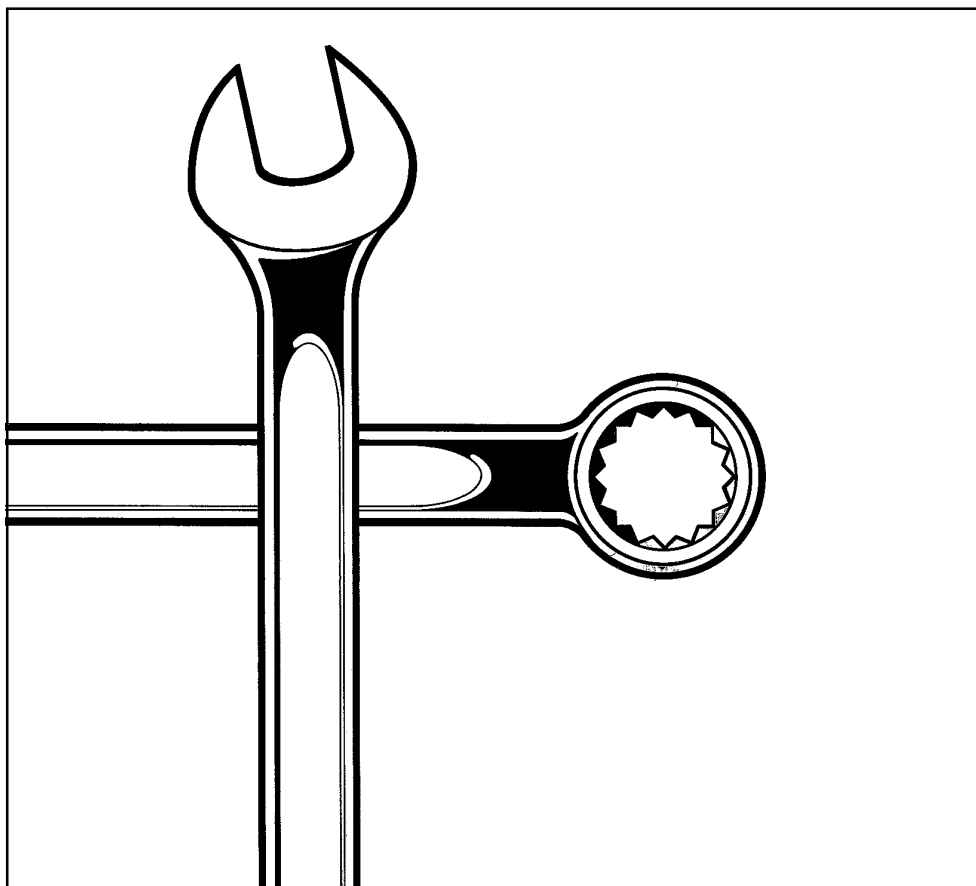


SVEDALA COMPACTION AND PAVING

DYNAPAC CC222/232/C CC422/522/C CA 602/512 WORKSHOP MANUAL HYDRAULIC DIAGRAM

W1050-1 EN



SVEDALA

DYNAPAC

Svedala Compaction Equipment AB

Box 504, SE-371 23 Karlskrona, Sweden

Telephone +46 455 627 00

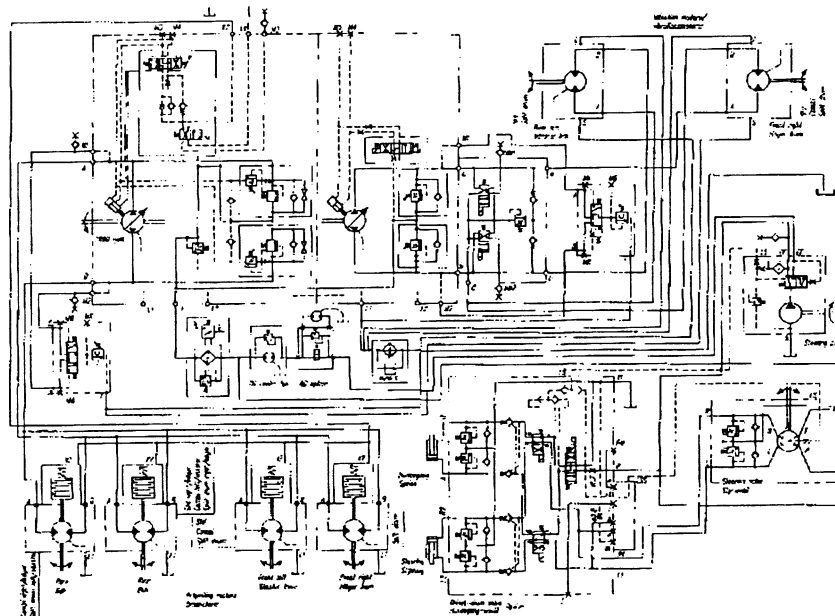
Telefax +46 455 627 30

SVEDALA



Vibratory and Combination Rollers
CC 222/232/C and CC422/522/C
CA 602/512

Work Shop Manual, Hydraulic diagram
W1050-1 EN



We reserve the right to change specifications without notice.
Printed in Sweden.