

Workshop manual W3023EN3.pdf Electric circuit diagrams

Vibratory roller
CA250/280/300 Tier I
CA250/260/280 Tier III

From serial number:
CA250/280/300 Tier I

65X23700, 68X23700, 74X20500

10000107x0A000001, 10000113x0A000001, 10000115x0A000001

CA250/260/280 Tier III

65X21200 - 65X21499, 78X20260 - 78X20399, 68X21200 - 68X21516

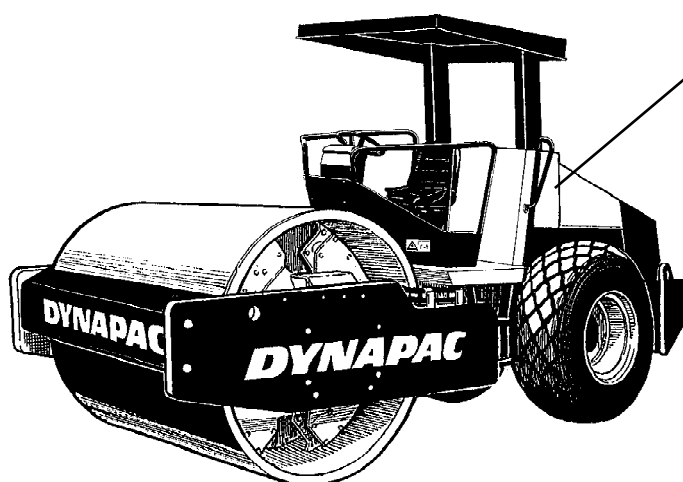
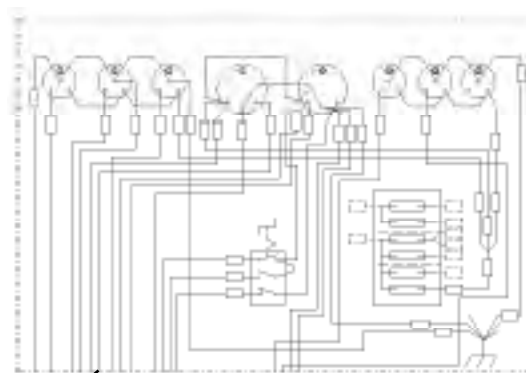


Table of Contents

Introduction	1
Warning symbols	1
Safety information.....	1
General.....	1
Safety regulations	3
Before start.....	3
Start.....	3
Jump starting.....	3
Electrical and hydraulic equipment	4
Type of Electrical circuit diagram	5
DYNAPAC electric wiring standard	5
Wiring system.....	5
Electrical circuit diagrams	9

Dynapac Ca250 Workshop Manual Electric Circuit Diagram

Full download: <http://manualplace.com/download/dynapac-ca250-workshop-manual-electric-circuit-diagram/>

