

Doosan Skid Steer Loader



Overseas service team

- I. General**
- II. Operation**
- III. Engine**
- IV. Chassis**
- V. Hydraulic system**
- VI. Electric system**
- VII. Maintenance data**

I. General

1. Doosan's skid steer loader
2. Exterior view
3. Conventional boom and vertical type boom
4. Attachments

I. General

1. Doosan's skid steer loader (I)



▪ 430, 430 Plus (DSL602)



▪ 440 Plus (DSL702)



▪ 450, 450 Plus (DSL802)



▪ 460, 460 Plus (DSL902)
▪ 470 Plus

▪ Model name (440,450..) is no meaning just model name.

I. General

1. Doosan's skid steer loader (II)

Model	Rated Capa.	Oper. Weight	Tipping Load	KOR Name	US Name	Engine
	LBS/kg	LBS/kg	LBS/kg			
430	1,433/650	5,604/2,542	2,866/1,300	DSL602	1340XL	Yanmar
430 Plus	1,505/682	5,703/2,587	3,009/1,365		1340XL	Cummins A2000
440 Plus	1,973/895	6,133/2,782	3,946/1,790	DSL702		Cummins A2300
450	1,808/820	6,885/3,123	3,616/1,640	DSL802	1760XL	KIA
450 Plus	2,061/935	6,911/3,315	4,122/1,870		1760XL	Cummins B3.3NA
460	2,169/984	7,119/3,254	4,339/1,968	DSL902	2060XL	
460 Plus	2,249/1,020	7,174/3,254	4,497/2,040		2060XL	
470 Plus	2,500/1,134	7,478/3,392	5,000/2,268			B3.3T

▪ DSL802 : 800kg bucket capacity, 2nd version. 1760XL : 1700 lbs bucket capacity, 60hp engine.

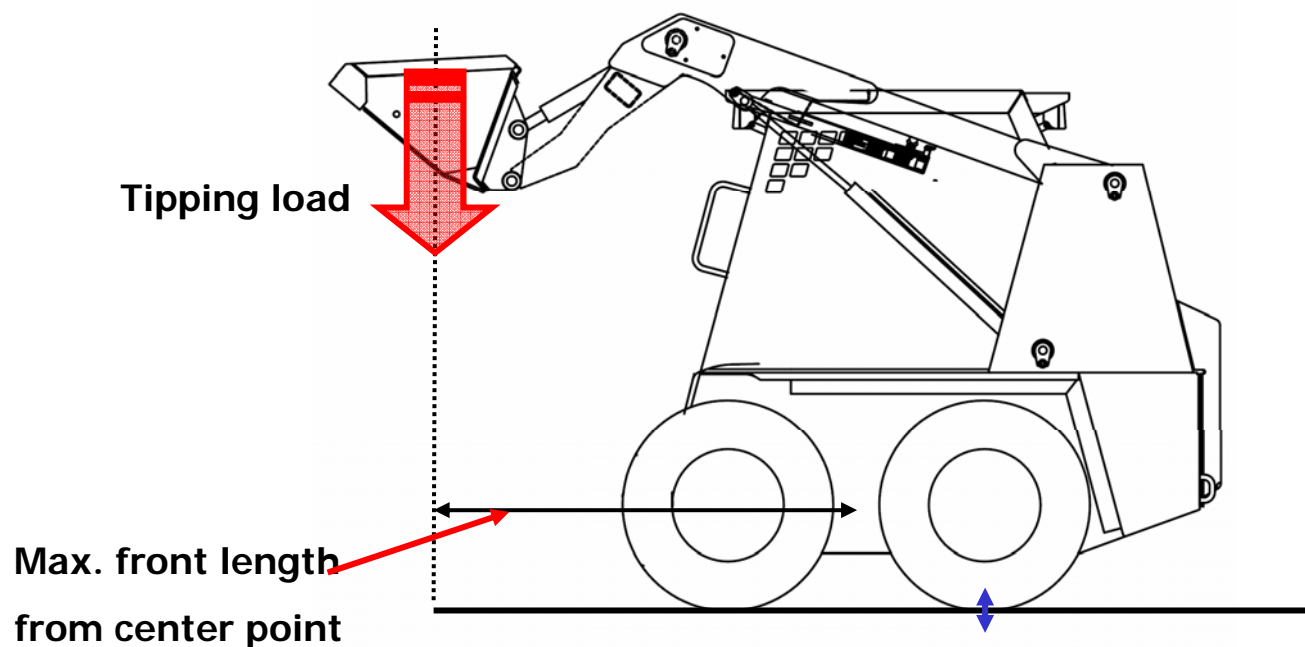
I. General

1. Doosan's skid steer loader (III)

- Tipping load

- Rising up point of rear wheel and ground when loading weight on bucket at max. front reach.

- Rated capacity = Tipping lode / 2



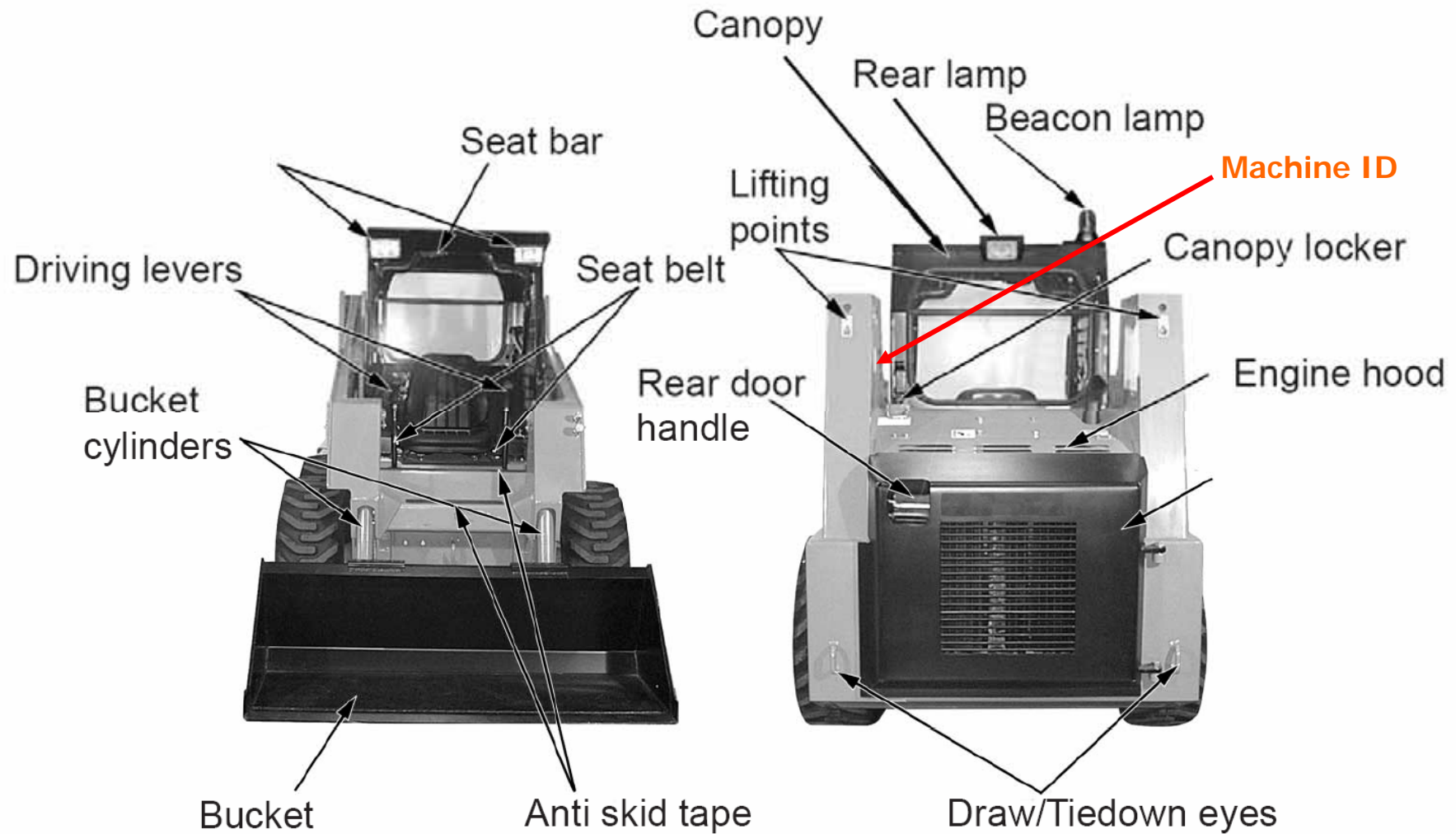
I. General

2. Exterior view (I)



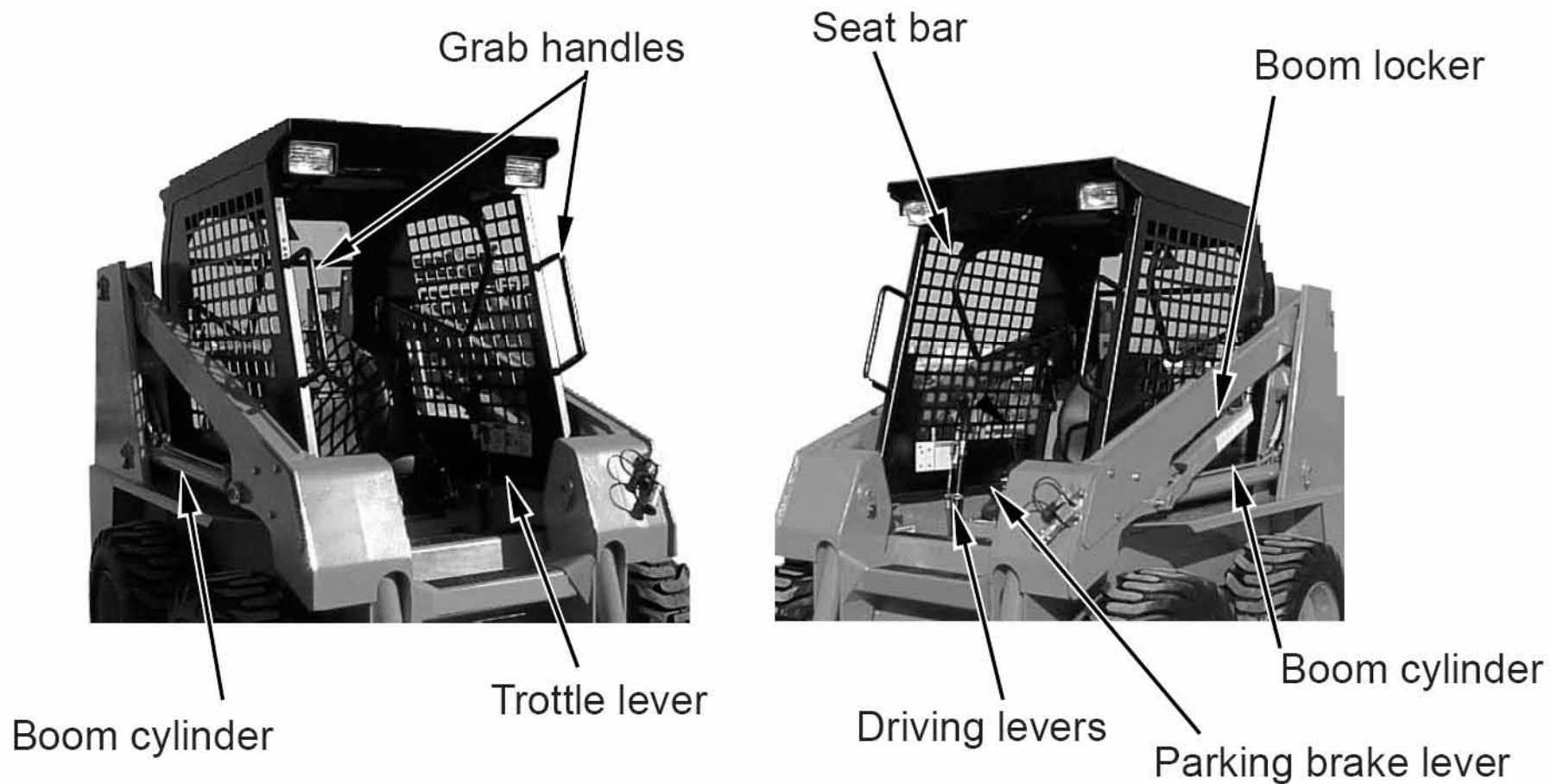
I. General

2. Exterior view (II)



I. General

2. Exterior view (III)



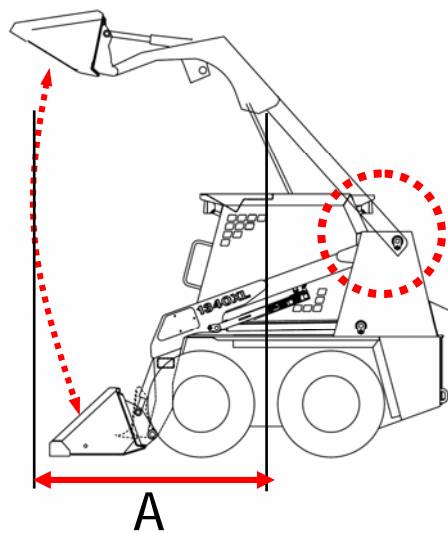
I. General

3. Conventional boom and vertical type boom

- Conventional boom (430/450)



- Vertical boom (440/460/470)



$$A > A'$$

