

Doosan Dx420lc Shop Manual

Full download: <http://manualplace.com/download/doosan-dx420lc-shop-manual/>

DX420LC

Shop Manual

K1009096E

Serial Number 5001 and Up

Daewoo reserves the right to improve our products in a continuing process to provide the best possible product to the market place. These improvements can be implemented at any time with no obligation to change materials on previously sold products. It is recommended that consumers periodically contact their distributors for recent documentation on purchased equipment.

This documentation may include attachments and optional equipment that is not available in your machine's package. Please call your distributor for additional items that you may require.

Illustrations used throughout this manual are used only as a representation of the actual piece of equipment, and may vary from the actual item.

K1009096E Shop Manual

This is the cut pages sample. Download all 900 page(s) at: ManualPlace.com

Table of Contents

Safety

Track Excavator Safety.....	SP000256
-----------------------------	----------

Specifications

Specification for DX420LC.....	SP000257
--------------------------------	----------

General Maintenance

General Maintenance Procedures.....	SP000016
Standard Torques.....	SP000017

Upper Structure

Cabin	SP000018
Counterweight.....	SP000265
Fuel Tank.....	SP000264
Swing Bearing.....	SP000262
Swing Reduction Gear.....	SP000249

Lower Structure and Chassis

Track Assembly	SP000263
Air Conditioner.....	SP000025

Engine and Drive Train

Drive Coupling (Main Pump).....	SP000026
---------------------------------	----------

Hydraulics

Hydraulic System Troubleshooting, Testing and Adjustment	SP000273
Accumulator.....	SP000028
Center Joint (Swivel).....	SP000181
Cylinders.....	SP000030

Swing Motor.....	SP000261
Travel Motor (With Gearbox)	SP000266
Main Pump.....	SP000186
Control Valve (KVMG-400-DA).....	SP000187
Remote Control Valve (Work Lever / Joystick)	SP000189
Travel Control Valve (With Damper).....	SP000070
Solenoid Valve Assembly	SP000191
Breaker EPPR Valve (Opt)	SP000192
Fan Motor (Vane Type).....	SP000209
Gear Pump (Fan Cooling Drive)	SP000208
Fan Cooling Flow In-Out Change Valve	SP000207
Hydraulic Schematic (DX420LC)	SP000274

Electrical System

Electrical System	SP000269
Electrical Schematic (DX420LC)	SP000275

Attachments

Boom and Arm.....	SP000040
Bucket.....	SP000041

Safety

Track Excavator Safety

Edition 1

MEMO

Table of Contents

Track Excavator Safety

Safety Precautions	5
Applicable Models	5
To the Operator of a <i>DOOSAN</i> Daewoo Excavator	6
General Safety Essentials	10
Location of Safety Labels	11
Summary of Safety Precautions for Lifting in Digging Mode	12
Unauthorized Modifications	13
General Hazard Information	13
Before Starting Engine	22
Machine Operation	26
Maintenance	33
Battery	42
Towing	44
Shipping and Transportation	45
Lifting With Sling	45

MEMO

SAFETY PRECAUTIONS



CAUTION!

Follow all safety recommendations and safe shop practices outlined in the front of this manual or those contained within this section.

Always use tools and equipment that are in good working order.

Use lifting and hoisting equipment capable of safely handling load.

Remember, that ultimately safety is your own personal responsibility.

APPLICABLE MODELS

The contents of this section apply to the following models and serial number ranges.

MODEL	SERIAL NUMBER RANGE
DX420LC	5001 and Up

TO THE OPERATOR OF A DOOSAN DAEWOO EXCAVATOR



Unsafe use of the excavator could lead to serious injury or death. Operating procedures, maintenance and equipment practices or traveling or shipping methods that do not follow the safety guidelines on the following pages could cause serious, potentially fatal injuries or extensive damage to the machine or nearby property.

Please respect the importance of taking responsibility for your own safety, and that of other people who may be affected by your actions.

The safety information on the following pages is organized into the following sections:

1. "General Safety Essentials" on page 1-10
2. "Location of Safety Labels" on page 1-11
3. "Summary of Safety Precautions for Lifting in Digging Mode" on page 1-12
4. "Unauthorized Modifications" on page 1-13
5. "General Hazard Information" on page 1-13
6. "Before Starting Engine" on page 1-22
7. "Machine Operation" on page 1-26
8. "Maintenance" on page 1-33
9. "Battery" on page 1-42
10. "Towing" on page 1-44
11. "Shipping and Transportation" on page 1-45
12. "Lifting With Sling" on page 1-45



WARNING!

Improper operation and maintenance of this machine can be hazardous and could result in serious injury or death.

Operator and maintenance personnel should read this manual thoroughly before beginning operation or maintenance.

Keep this manual in the storage compartment to the rear of the operator's seat, and have all personnel involved in working on the machine read the manual periodically.

Some actions involved in operation and maintenance of the machine can cause a serious accident, if they are not done in a manner described in this manual.

The procedures and precautions given in this manual apply only to intended uses of the machine.

If you use your machine for any unintended uses that are not specifically prohibited, you must be sure that it is safe for any others. In no event should you or others engage in prohibited uses or actions as described in this manual.

DOOSAN delivers machines that comply with all applicable regulations and standards of the country to which it has been shipped. If this machine has been purchased in another country or purchased from someone in another country, it may lack certain safety devices and specifications that are necessary for use in your country. If there is any question about whether your product complies with the applicable standards and regulations of your country, consult *DOOSAN* or your *DOOSAN* distributor before operating the machine.



SAFETY ALERT SYMBOL



Be Prepared - Get to Know All Operating and Safety Instructions.

This is the Safety Alert Symbol. Wherever it appears in this manual or on safety signs on the machine you should be alert to the potential for personal injury or accidents. Always observe safety precautions and follow recommended procedures.

Learn the Signal Words Used with the Safety Alert Symbol

The words "**CAUTION**," "**WARNING**," and "**DANGER**" used throughout this manual and on decals on the machine indicate degree of risk of hazards or unsafe practices. All three degrees of risk indicate that safety is involved. Observe precautions indicated whenever you see the Safety Alert "Triangle," no matter which signal word appears next to the "Exclamation Point" symbol.



CAUTION!

This word is used on safety messages and safety labels and indicates potential of a hazardous situation that, if not avoided, could result in minor or moderate injury. It may also be used to alert against a generally unsafe practice.



WARNING!

This word is used on safety messages and safety labels and indicates potential of a hazardous situation that, if not avoided, could result in serious injury or death. It may also be used to alert against a highly unsafe practice.



DANGER!

This word is used on safety messages and safety labels and indicates an imminent hazard of a situation that, if not avoided, is very likely to cause death or extremely serious injury. It may also be used to alert against equipment that may explode or detonate if handled or treated carelessly.

Safety precautions are described in SAFETY from page -11 on.

DOOSAN cannot predict every circumstance that might involve a potential hazard in operation and maintenance. Therefore the safety messages in this manual and on the machine may not include all possible safety precautions. If any procedures or actions not specifically recommended or allowed in this manual are used, you must be sure that you and others can do such procedures and actions safely and without damaging the machine. If you are unsure about the safety of some procedures, contact a *DOOSAN* distributor.

GENERAL SAFETY ESSENTIALS

Accessory Applications

The excavator has been primarily designed for moving earth with a bucket. For use as a grapple or for other object handling, contact *DOOSAN* for proper installation and application. Lifting-work applications (unless restricted or prohibited by local regulations) are permitted in approved lift configuration, to rated capacity only, with no side-loading. **DO NOT** use the machine for activities for which it was not intended. **DO NOT** use the bucket for lifting work, unless lift slings are used in the approved configuration.

Use of an accessory hydraulic hammer (breaker), work in rough terrain, demolition applications or other hazardous operation may require installation of additional protective structures to safeguard the operator.

Lifting Capacity Rating Configuration

Lifting capacity ratings that are printed at the end of this safety section are based on the machine being level, on a firm supporting surface, with hooks and slings attached in approved configuration. Loads must be balanced and supported evenly. Use tag lines to keep the load steady if wind conditions and large surface area are a problem. Work crew hand signals, individual tasks and safe procedures should all be universally understood before the lift is made.

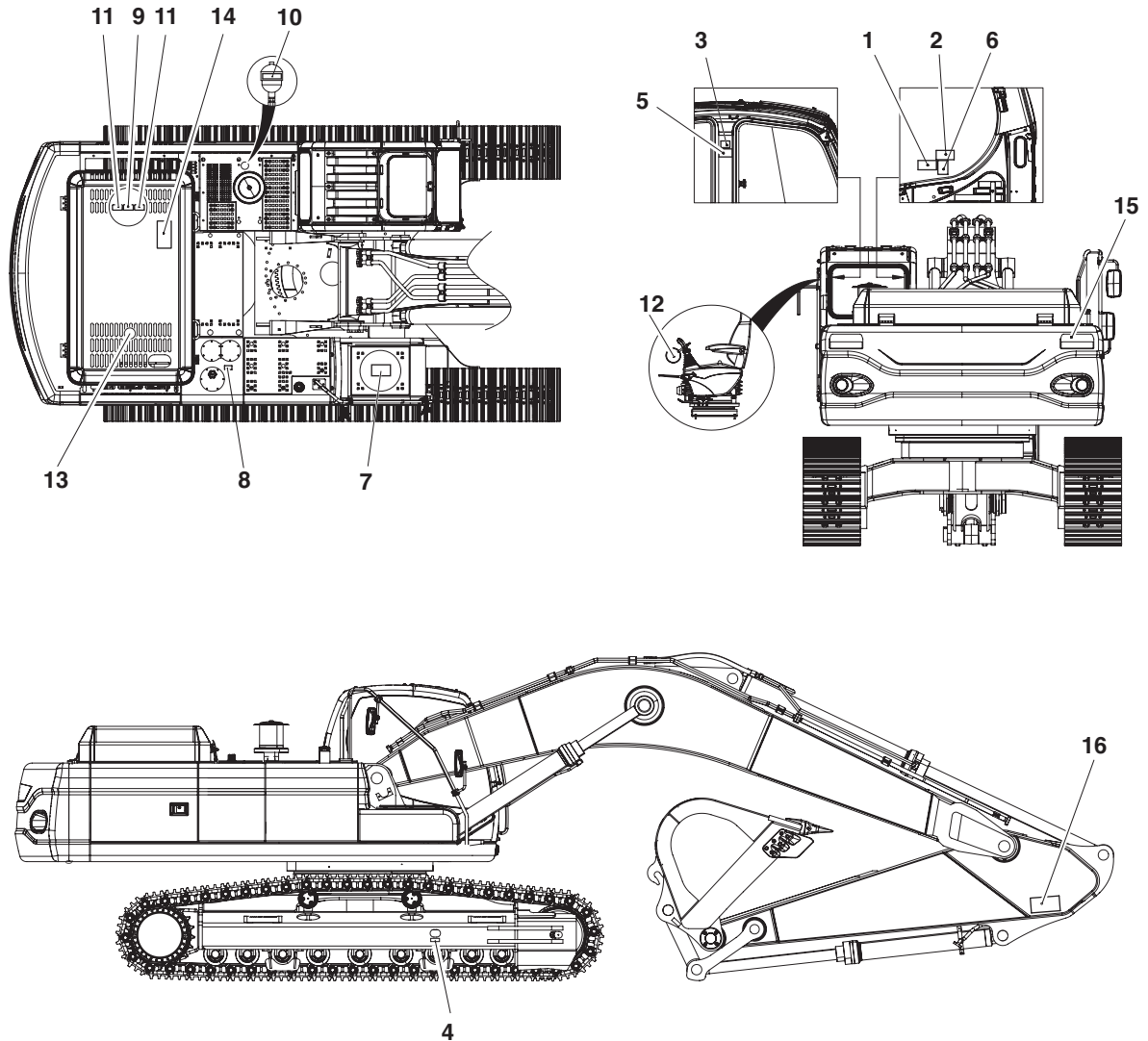
IMPORTANT

Before using the excavator to make lifts check municipal and regional regulations or statutes that could apply. Governing ordinances may require that all heavy lifting be done with single purpose equipment specifically designed for making lifts, or other local restrictions may apply. Making heavy lifts with a general purpose excavator that can be used for digging, loading, grading or other work may be expressly forbidden by a regional injunction or other legal prohibition. Always follow all of the other instructions, guidelines and restrictions for Safe Lifting in the Operation and Maintenance Manuals.

LOCATION OF SAFETY LABELS

Location of safety labels (decals) can vary from unit to unit. Refer to appropriate Operation and Maintenance Manual, and parts manual for your unit.

Always replace damaged or faded decals.



FG001823

Figure 1

SUMMARY OF SAFETY PRECAUTIONS FOR LIFTING IN DIGGING MODE

DANGER!

Unsafe use of the excavator while making rated lifts could cause serious, potentially fatal injuries or extensive damage to the machine or nearby property. Do not let anyone operate the machine unless they've been properly trained and understand the information in the Operation and Maintenance Manual.

To lift safely while in Digging Mode, the following items must be evaluated by the operator and the work site crew.

- Condition of ground support.
- Excavator configuration and attachments.
- Weight, lifting height and lifting radius.
- Safe rigging of the load.
- Proper handling of the suspended load.

Tag lines on opposite sides of the load can be very helpful in keeping a suspended load secure, if they are anchored safely to control points on the ground.

WARNING!

NEVER wrap a tag line around your hands or body.

NEVER rely on tag lines or make rated lifts when wind gusts are more than 48.3 km/h (30 MPH). Be prepared for any type of wind gust when working with loads that have a large surface area.

Always engage the "Digging Mode" control on the Instrument Panel before using the excavator for lifting work.

WARNING!

If you need more information or have any questions or concerns about safe operating procedures or working the excavator correctly in a particular application or in the specific conditions of your individual operating environment, please consult your local *DOOSAN* representative.

UNAUTHORIZED MODIFICATIONS

Any modification made without authorization or written approval from *DOOSAN* can create a safety hazard, for which the machine owner must be held responsible.

For safety's sake, replace all OEM parts with the correct authorized or genuine *DOOSAN* part. For example, not taking the time to replace fasteners, bolts or nuts with the correct replacement parts could lead to a condition in which the safety of critical assemblies is dangerously compromised.

GENERAL HAZARD INFORMATION

Safety Rules

Only trained and authorized personnel can operate and maintain the machine.

Follow all safety rules, precautions and instructions when operating or performing maintenance on the machine.

Do not operate the machine if you are not feeling well, if you are taking medication that makes you feel sleepy, if you have been drinking, or if you are suffering from emotional problems. These problems will interfere with your sense of judgement in emergencies and may cause accidents.

When working with another operator or with a person on work site traffic duty, be sure that all personnel know the nature of the work and understand all hand signals that are to be used.

Always observe strictly any other rules related to safety.

Safety Features

Be sure that all guards and covers are installed in their proper position. Have guards and covers repaired immediately if damaged.

Be sure that you understand the method of use of safety features such as safety lock lever and the seat belt, and use them properly.

Never remove any safety features. Always keep them in good operating condition.

Failure to use safety features according to the instructions in the Operation and Maintenance Manual could result in serious bodily injury.

Inside Operator's Compartment

When entering the operator's compartment, always remove all mud and oil from the soles of your shoes. If you operate the travel pedal with mud or oil stuck to your shoes, your foot may slip and this may cause a serious accident.

After using the ashtray, make sure that any matches or cigarettes are properly extinguished, and be sure to close the ashtray. If the ashtray is left open, there is danger of fire.

Do not stick suction pads to the window glass. Suction pads act as a lens and may cause fire.

Do not leave lighters laying around the operator's compartment. If the temperature inside the operator's compartment becomes high, there is danger that the lighter may explode.

Do not use cellular telephones inside the operator's compartment when driving or operating the machine. There is danger that this may lead to an unexpected accident.

Never bring any dangerous objects such as flammable or explosive items into the operator's cabin.

To ensure safety, do not use the radio or music headphones when operating the machine. There is danger that this may lead to a serious accident.

When operating the machine, do not put your hands or head out of the window.

When standing up from the operator's seat, always place safety lock lever securely in the "LOCK" position. If you accidentally touch the work equipment levers when they are not locked, the machine may suddenly move and cause serious injury or damage.

When leaving the machine, lower the work equipment completely to the ground, set safety lock lever to the "LOCK" position and shut down engine. Use the key to lock all the equipment. Always remove the key and take it with you.

Clothing and Personal Protective Items

Contain long hair, and avoid loose clothing and jewelry. They can catch on controls or in protruding parts and cause serious injury or death.

Do not wear oily clothes. They are highly flammable.

Full eye protection, a hard hat, safety shoes and gloves may be required at the work site.

While working on the machine, never use inadequate tools. They could break or slip, causing injury, or they may not adequately perform intended functions.



HAOA020L