

Dongfeng 244 Parts

Full download: <http://manualplace.com/download/dongfeng-244-parts/>

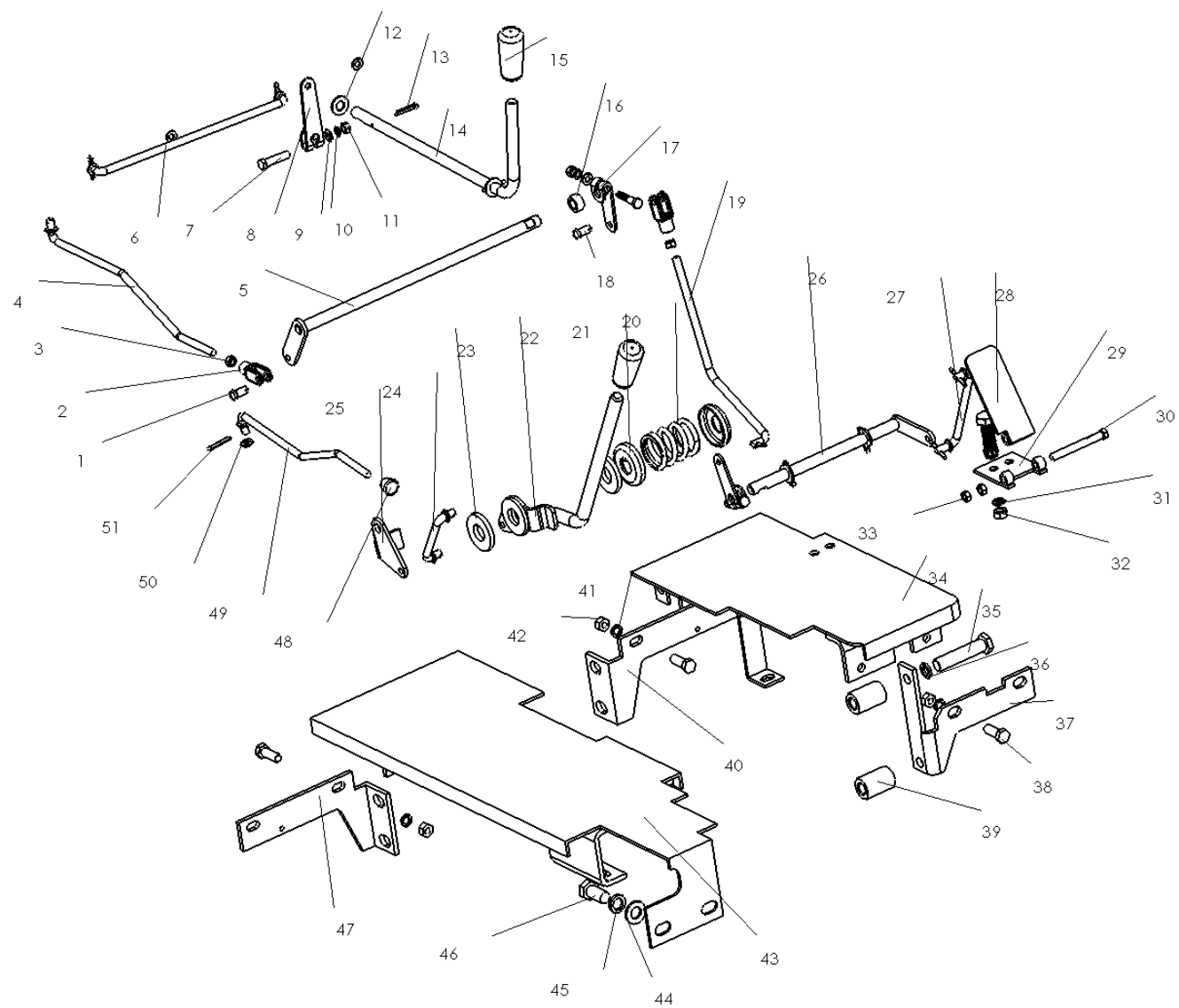
DONG FENG

Tractor Parts Manual

DF244



1 油门操纵机构总成 Throttle Control Mechanism



1 油门操纵机构总成 Throttle Control Mechanism

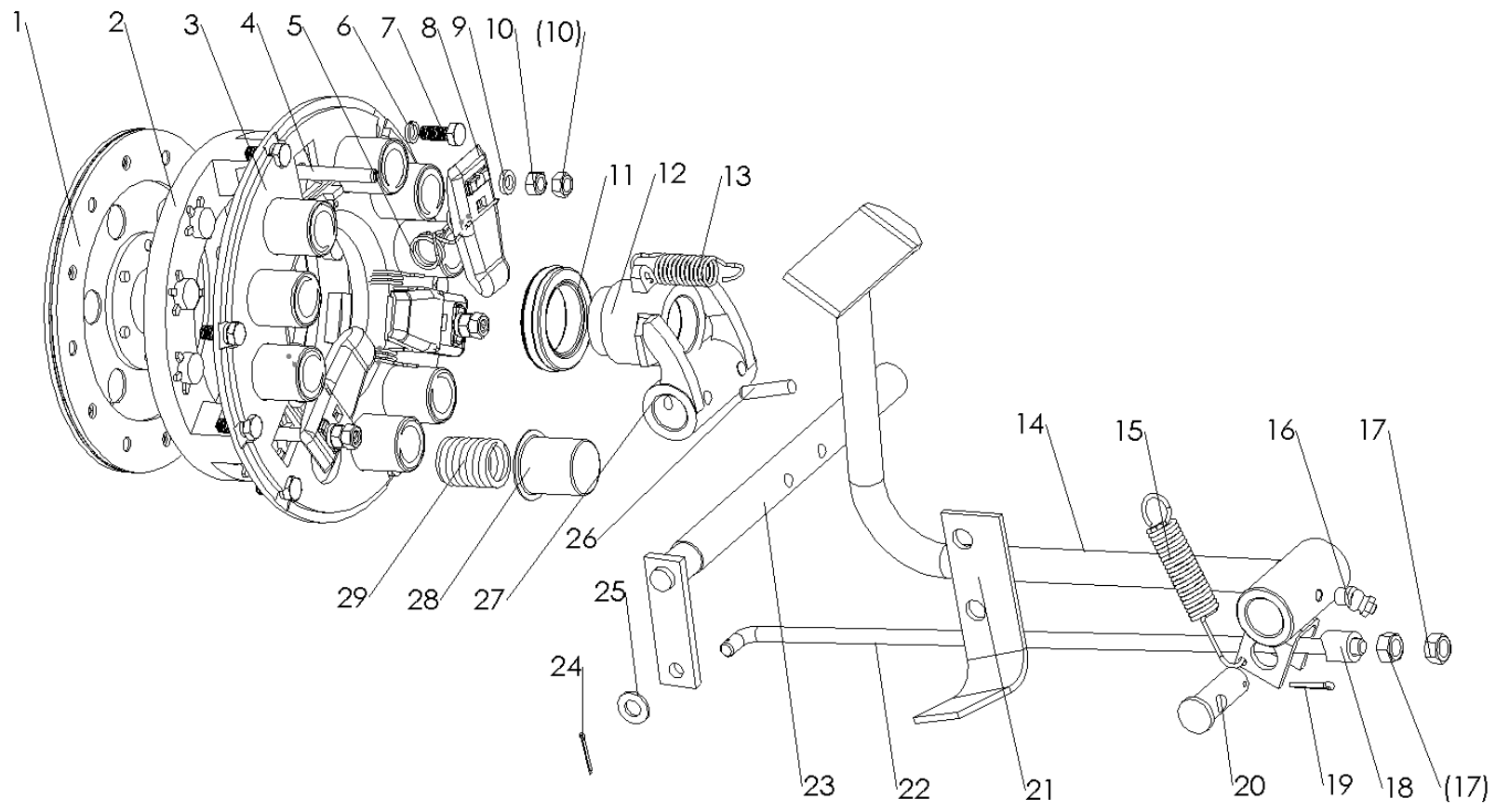
序号 Ser.No.	代号 Part No.	名称及规格	Name & Specifications	数量 Quantity	备注 Remarks
1	GB882-86	销轴B6×22	Clevis pin with head B6×22	2	
2	200.20.101	连接叉	Rod clevis	2	
3	GB6180-86	螺母 M6	Hex. castle nut M6	7	
4	200.20.020	油门拉杆焊合件	Throttle pull-rod	1	
5	200.20.017	过桥焊合件	Transition weldment	1	
6	200.20.027-1	减压拉杆焊合件	Pull-rod, decompressor	1	
7	GB5782-86	螺栓M6×30	Hex. Head bolt M6×30	3	
8	200.20.134	减压摇臂	Rocker arm, decompressor	1	
9	GB97.1-85	垫圈 6-140HV	Plain washer 6-140HV	19	
10	GB93-87	垫圈6	Spring lock washer 6	2	
11	GB93-87	垫圈6	Spring lock washer 6	3	
12	GB91-86	销 2.5×20	Split pin 2.5×20	4	
13	200.20.134	减压摇臂	Rocker arm, decompressor	1	
14	200.55.149	塑料把	Plastic handle	1	
15	200.20.105	隔套	Spacer sleeve	1	
16	200.20.104	摇臂	Roker am	2	
17	200.20.103	脚油门拉杆	Pull rod, throttle	1	
18	200.20.109	手油门弹簧	spring,hand throttle	1	
19	200.20.108	手油门弹簧座	springseat,hand throttle	1	
20	200.20.024	手油门杆焊合件	Link rod, hand throttle	1	
21	200.20.110	摩擦片	Friction disc	2	
22	200.20.016	手油门连杆焊合件	Link rod, hand throttle	1	
23	200.20.102	手油门摇臂	Rocker arm, hand throttle	1	
24	200.20.021	踏板轴焊合件	Pedal axes weldment	1	
25	200.20.012	踏板拉杆焊合件	Pull-rod, pedal axes	1	
26	200.20.022	脚踏板焊合件	Pedal weldment	1	

1 油门操纵机构总成 Throttle Control Mechanism

续表

序号 Ser.No.	代号 Part No.	名称及规格 Name & Specifications	数量 Quantity	备注 Remarks
27	200.20.023	铰链板焊合件 Gernel-board weldment	1	
28	GB5782-86	螺栓M6×65 Hex. Head bolt M6×65	1	
29	GB93-87	垫圈8 Spring lock washer 8	6	
30	GB6170-86	螺母 M8 Hex. nut M8	9	
31	GB5783-86	螺栓M8×20 Hex. Head bolt M8×20	1	
32	GB5783-86	螺栓M8×30 Hex. Head bolt M8×30	1	
33	300A.20.019	右底板焊合件 Right foot rest plate	1	
34	GB5782-86	螺栓M10×60 Hex. Head bolt M10×60	2	
35	GB93-87	垫圈 10 Spring lock washer 10	2	
36	200.20.113-1	后支架 Rear support bracket	1	
37	GB5783-86	螺栓M8×30 Hex. Head bolt M8×30	7	
38	200.20.114	垫套 Bush	2	
	200.20.114A	垫套 Bush	2	
39	200.20.111-1	前支架 Front support bracket	2	
40	300A.20.017	左底板焊合件 Left foot rest plate	1	
41	GB97.1-85	垫圈 12-140HV Plain washer 12-140HV	2	
42	GB93-87	垫圈12 Spring lock washer 12	6	
43	GB5783-86	螺栓M12×25 Hex. Head bolt M12×25	6	
44	GB4141.13-84	把手 M5×16 Knob M5×16	1	
45	200.20.019	熄火拉杆焊合件 Stop control lever, engine	1	
46	GB97.1-85	垫圈 5-140HV Plain washer 5-140HV	1	
47	GB91-86	销 2×16 Split pin 2×16	9	

2 离合器总成 Clutch



2 离合器总成 Clutch

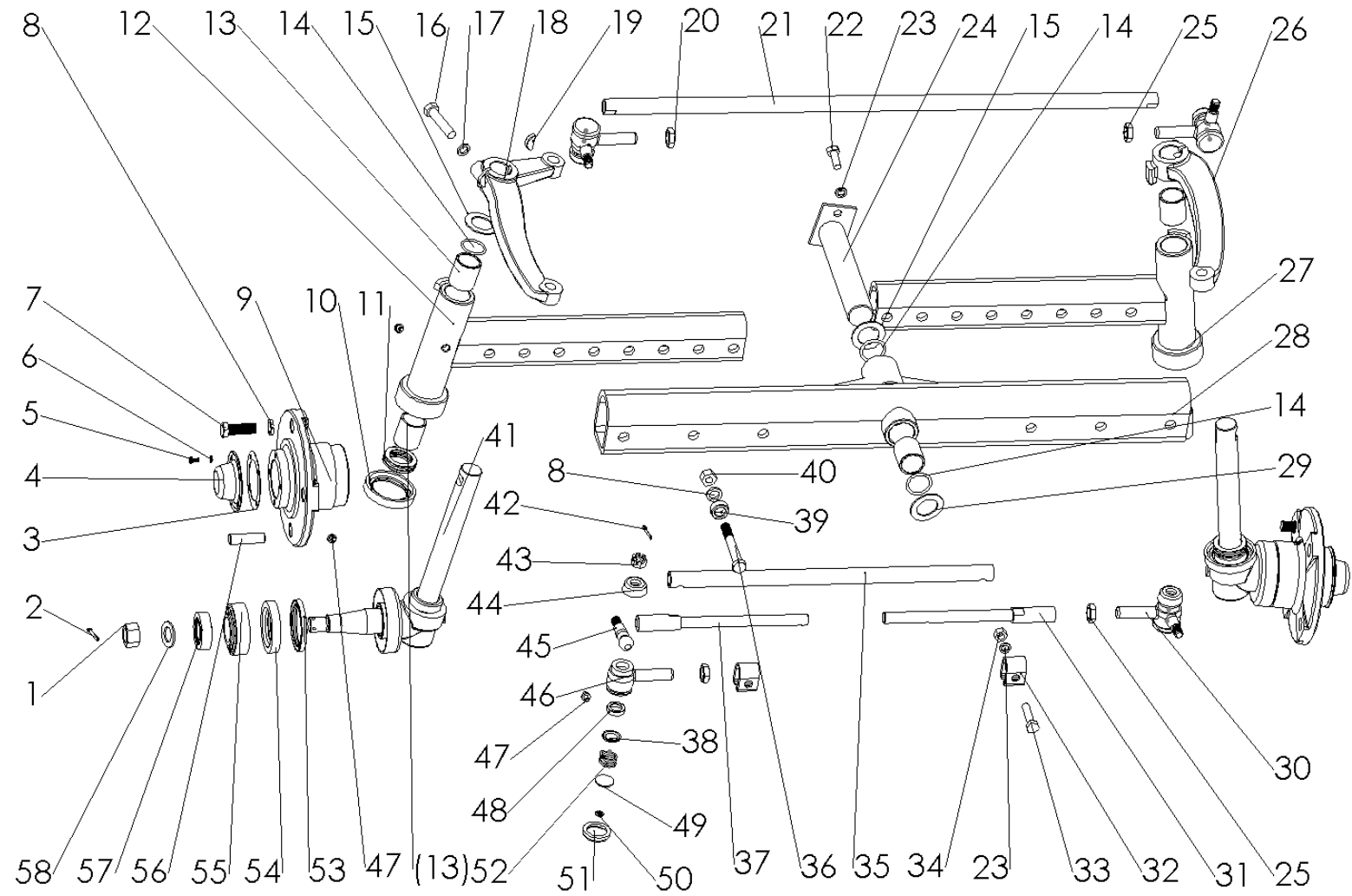
序号 Ser.No.	代号 Part No.	名称及规格 Name & Specifications	数量 Quantity	备注 Remarks
1	200.21.012	从动盘总成 Driven plate	1	
2	200.21.101-1	离合器压盘 Pressure plate	1	
3	200.21.102	离合器盖 Clutch cover	1	
4	200.21.107-1	调整螺杆 Adjusting bolt	3	
5	200.21.113	扭簧 Wring spring	3	
6	GB93-87	垫圈 8 Spring lock washer 8	6	
7	GB5783-86	螺栓 M8×20 Hex. head bolt M8×20	6	
8	200.21.114-1	分离杆 Release lever	3	
9	200.21.108-1	调整螺栓垫片 Adjusting shim	3	
10	GB6170-86	螺母 M8 Hex. nut M8	6	
11		滚动轴承 688908 Release bearing 688908	1	
12	200.21.115	分离轴承座 Release bearing seat	1	
13	200.21.116	回位弹簧 Return spring	1	
14	200.21.015	离合器踏杆总成 Clutch cover	2	
15	200.21.127	外回位弹簧 Return spring	1	
16	GB1153-86	油杯 M10×1 Angle grease nipple M10×1	1	
17	GB6170-86	螺母 M10 Hex. nut M10	2	
18	200.21.126	调整套 Ajusting sleeve	1	
19	GB91-86	销 3.2×26 Split pin 3.2×26	1	
20	200.21.128	拉杆销 Pull-rod pin	1	
21	200.21.125	限位板 Pedal stop	1	
22	200.21.120	拉杆 Pull rod	1	
23	200.21.014	分离轴摇臂焊合件 Release pull rod	1	
	200.21.014A	分离轴摇臂焊合件 Release pull rod	1	

2 离合器总成 Clutch

续表

序号 Ser.No.	代号 Part No.	名称及规格 Name & Specifications	数量 Quantity	备注 Remarks
24	GB91-86	销 2×16 Split pin 2×16	1	
25	GB97.1-85	垫圈 10-140HV Plain washer 10-140HV	1	
26	GB879-86	销 3×35 Slotted spring pin 8×40	2	
27	200.21.119	分离拨叉 Release fork	1	
28	200.21.118	弹簧罩 Spring cover	9	
29	200.21.117	压盘弹簧 Platen spring	9	

3 前轴总成 Front Axle



3 前轴总成 Front Axle

序号 Ser.No.	代号 Part No.	名称及规格	Name & Specifications	数量 Quantity	备注 Remarks
1	GB6180-86	螺母M20	Hex.nut M20	2	
2	GB91-86	销4x30	Split 4x30	2	
3	200.31.135	密封垫圈	Seal washer	2	
4	200.31.124	前轮轮毂盖	Cover of front-wheel hub	2	
5	GB818-85	螺钉M5×10	Slotted pan head screwM5×10	8	
6	GB93-87	垫圈5	Spring lock washer 5	8	
7	GB5782-86	螺栓M14×30	Hex.head.boltM14×30	6	
8	GB93-87	垫圈14	Spring lock washer 14	14	
9	200.31B.123	前轮轮毂	Front-wheel hub	2	
10	HG4--692-67	油封SD45x62x12	Oil seal SD45x62x12	2	
11	GB301-84	轴承8106	Thrust ball bearing 8106	2	
12	200.31B.021-1	左立轴套管焊合件	Left telescopic beam assy	1	machanical steering
	250-2.31.021	左立轴套管焊合件	Left telescopic beam assy	1	hydraulic steering
13	200.31.114-2	主销衬套	Kingpin bush	6	
14	GB3452.1-82	O型圈30x2.65	O-ring seal 30x2.65	4	
15	200.31.126	防尘圈	dustproof ring	4	
16	GB5782-86	螺栓M12x1.5x55	Hex.head.boltM12x1.5x55	2	
17	GB93-87	垫圈12	Spring lock washer 12	2	
18	300.31.108	左梯形臂	Left steering arm	1	
19	GB1099-79	键8x28	Key 8x28	2	
20	GB6173-86	螺母M16x1.5(左)	Hex.nut M16x1.5(left)	2	
21	200.31B.118-1	纵拉杆	Steering drag link	1	machanical steering
22	GB5783-86	螺栓M10x30	Hex.head.boltM12x30	1	
23	GB93-87	垫圈10	Spring lock washer 10	3	
24	300.31.018	摇摆轴焊合件	Pendulum shaft	1	machanical steering
	300.31.018A	摇摆轴焊合件	Pendulum shaft	1	hydraulic steering

3 前轴总成 Front Axle

续表

序号 Ser.No.	代号 Part No.	名称及规格	Name & Specifications	数量 Quantity	备注 Remarks
25	GB6173-86	螺母M16x1.5(右)	Hex.nut M16x1.5(right)	2	
26	300.31.106	右梯形臂	Right steering arm	1	
27	200.31B.022-1	右立轴套管焊合件	Right telescopic beam	1	machanical steering
	250-2.31.022	右立轴套管焊合件	Right telescopic beam	1	hydraulic steering
28	200.31B.020-1	前轴焊合件	Front Axle	1	machanical steering
	250-2.31.020	前轴焊合件	Front Axle	1	hydraulic steering
29	200.31.160	调整垫片	Adjust shim	1组	
30	200.31.128	拉杆接头(右)	Pull rod joint (right)	2	
31	200.31B.024	伸缩杆焊合件(右)	Extend link (right)	1	
32	200.31B.132	横拉杆夹头	cross clamp	2	
33	GB5782-86	螺栓M10x45	Hex.head.boltM10x45	2	
34	GB6170-86	螺母M10	Hex.nut M10	2	
35	200.31B.131-2	横拉杆	Steering tie rod	1	
36	GB5782-86	螺栓M14x90	Hex.head.boltM14x90	4	
37	200.31B.023	伸缩杆焊合件(左)	Extend link (right)	1	
38	200.31.131	上球座	Up ball seat	4	
39	200.31B.134	压紧套	securing pad	4	
40	GB6170-86	螺母M14	Hex.nut M14	4	
41	200.31.014	转向节组合件	Steering knuckle assy	2	
42	GB91-86	销3.2x50	Split 3.2x50	4	
43	GB6181-86	螺母M12	Hex.slotted nut M12	4	
44	200.31.134-1	防尘罩	Dust boot	4	
45	200.31.127-1	球头销	Ball stud	4	
46	200.31.129	拉杆接头(左)	Pull rod joint (left)	2	
47	GB1152-79	油杯M10x1	Grease nipple M10x1	9	
48	200. 31. 130	下球座	Lower ball seat	4	