

VIN PLATE DECODING INFORMATION

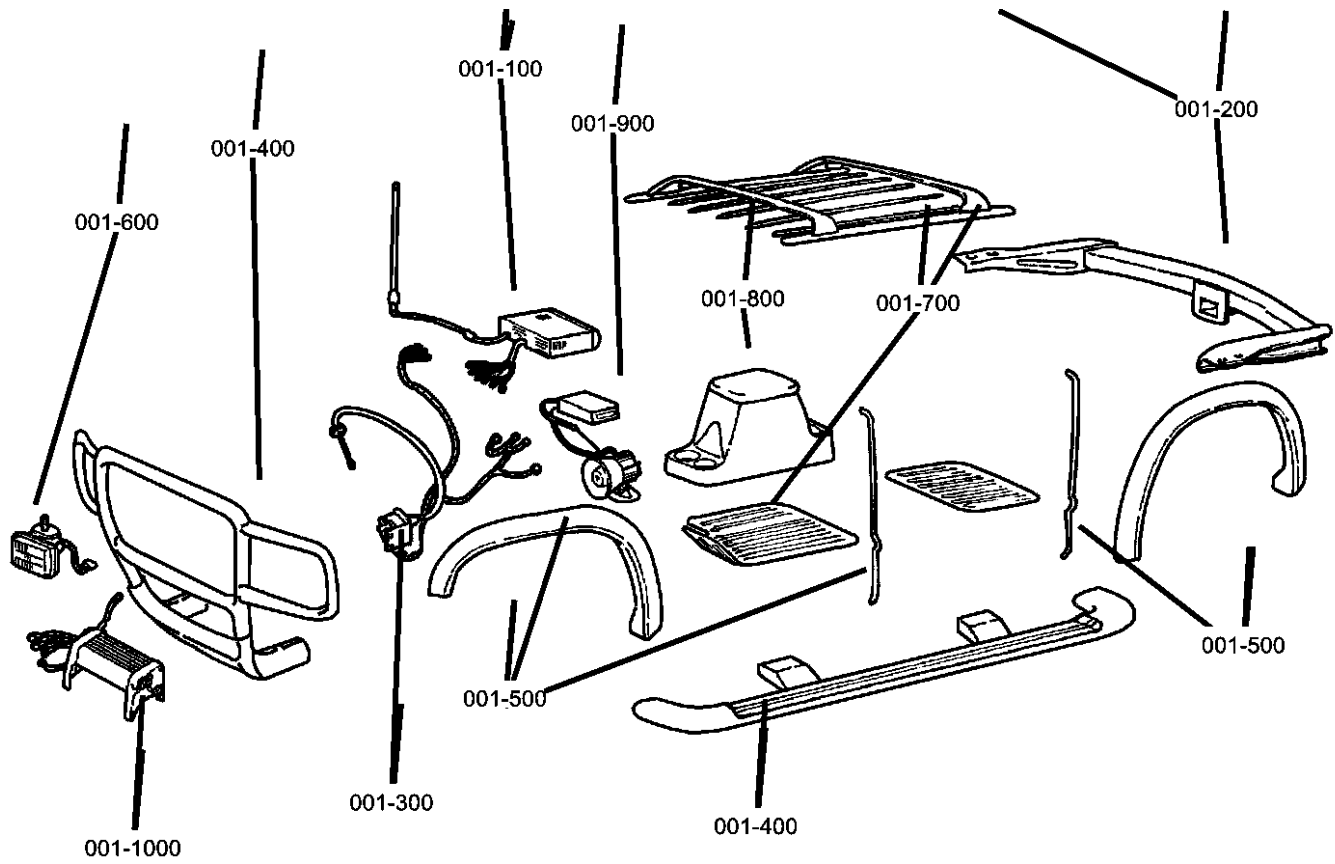
1	2	3	4	5	6	7	8	9	10	11	12 thru 17
Country	Make	Vehicle Type	Other	Line	Series	Body Style	Engine	Check Digit	Model Year	Assy. Plant	Sequence No.

The following table interprets the VIN Plate position shown above.

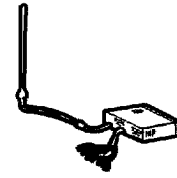
Position	Interpretation	Codes = Description
1	Country of Origin	1 = Built in U.S. by DaimlerChrysler Corporation
2	Assembler	D = Dodge
3	Vehicle Type	4 = Multipurpose Passenger Vehicle Less Side Air Bags
4	GVWR & Pass. Safety	E = 1361-1814 kg (3001-4000 lbs) F = 1814-2267 kg (4001-5000 lbs) G = 2268-2721 kg (5001-6000 lbs) H = 2722-3175 kg (6001-7000 lbs) J = 3176-3628 kg (7001-8000 lbs) K = 3629-4082 kg (8001-9000 lbs) L = 4083-4535 kg (9001-10000 lbs) M = 4536-6350 kg (10001-14000 lbs)
5	Vehicle Line	T = Nitro Left Hand Drive (4x2) U = Nitro Left Hand Drive (4x4) 9 = Nitro Right Hand Drive (4x4)
6	Series	2 = Nitro SXT (U.S., Canada, Mexico, BUX) 5 = Nitro SLT (U.S., Canada, Mexico, BUX) 5 = Nitro R/T (U.S., Canada, Mexico, BUX)
7	Body Style	8 = Sport Utility 4 Door-Nitro
8	Engine	K = 3.7L V6 Cyl. Gas (EKG) 6 = 4.0L V6 CYL SOHC Gasoline (EGS) 9 = 2.8L I4 CYL Turbo Diesel Next Gen (ENS)
9	Check Digit	0 = Check Digit
10	Model Year	8 = 2008 Model Year
11	Assembly Plant	L = Toledo North Assembly
12 thru 17	Vehicle Build Sequence	Model Year Assembly Sequence

Group - 1

MoPar Accessories

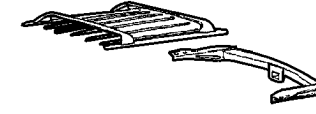


001-100
Audio & Electronics



001-1100
Powertrain

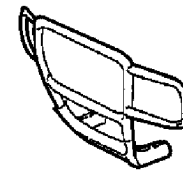
001-200
Carriers & Cargo Hauling



001-300
Driving Convenience



001-400
Exterior Appearance



001-500
Exterior Protection



001-600
Fog Lights & Electrical



001-900
Security



Group - 1 MoPar Accessories

Illustration Title

Group-Fig. No.

Audio & Electronics

Navigation Kit - Stand Alone	Fig. 1 - 109
Media System	Fig. 1 - 110
Camera - Back Up	Fig. 1 - 118
Receiver Kit - Satellite	Fig. 1 - 120
iPod	Fig. 1 - 122

Carriers & Cargo Hauling

Carrier Kit - Bike Hitch Mount	Fig. 1 - 204
Carrier Kit - Water Sports	Fig. 1 - 210
Carrier Kit - Canoe	Fig. 1 - 212
Carrier Kit - Bike Fork Mount	Fig. 1 - 214
Carrier Kit - Bike Upright Mount	Fig. 1 - 216
Carrier Kit - Luggage - Soft	Fig. 1 - 252
Wiring Kit - Off Road	Fig. 1 - 264

Driving Convenience

Sensor Kit - Park/Distance	Fig. 1 - 320
----------------------------------	--------------

Exterior Appearance

Board Kit - Running-Power	Fig. 1 - 438
Wheel Kit	Fig. 1 - 448

Exterior Protection

Molding Kits	Fig. 1 - 506
--------------------	--------------

Fog Lights & Electrical

Light Kit - Fog	Fig. 1 - 604
Light Kit - Off Road	Fig. 1 - 605

Security

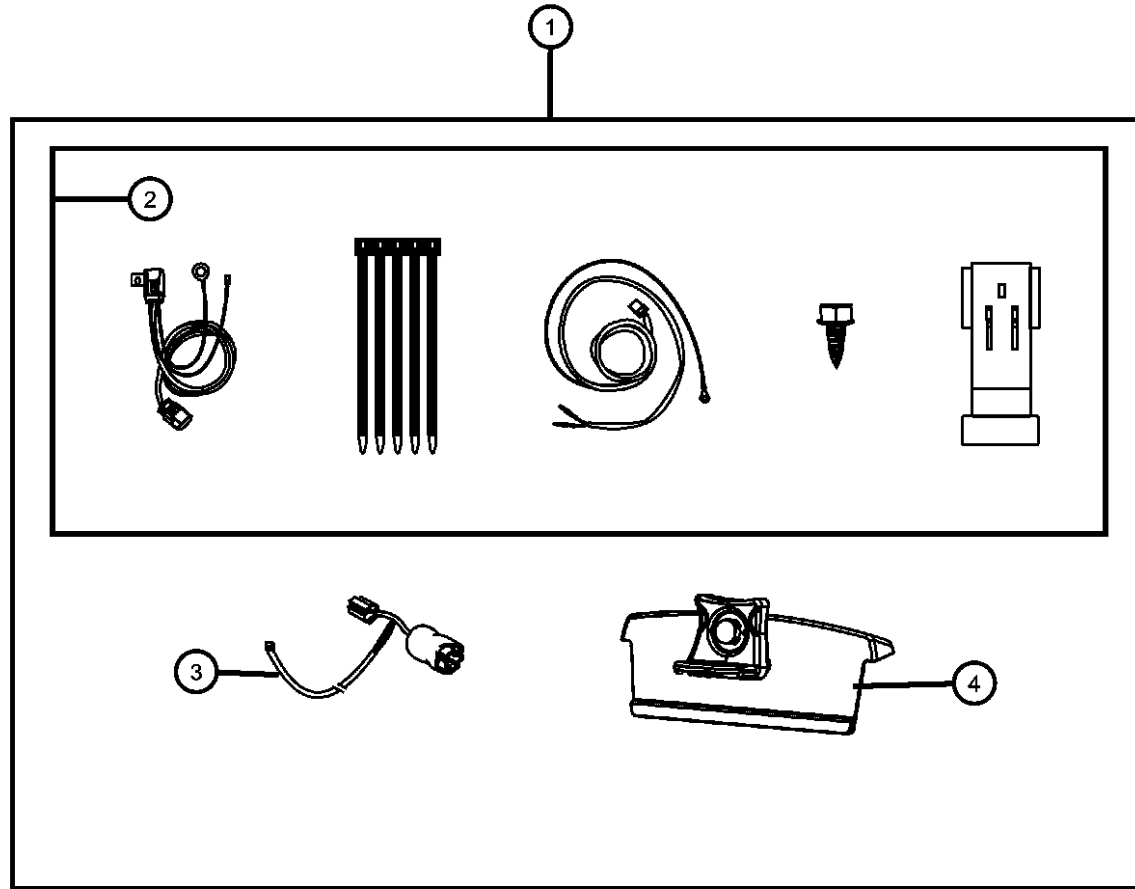
Alarm Kit	Fig. 1 - 902
-----------------	--------------

Powertrain

Engine Oil Cooler	Fig. 1 - 1102
-------------------------	---------------

Navigation Kit - Stand Alone
Figure 1-109

ITEM	PART NUMBER	QTY	LINE	SERIES	BODY	ENGINE	TRANS	TRIM	DESCRIPTION
1	82210209AB	1			74				NAVIGATION KIT, Vehicle
2	68004405AA	1							HARNESS, Wiring
3	68002650AA	1							HARNESS
4	68002655AA	1							MOUNT KIT
-5	68002656AB	1			74				MOUNT KIT
-6	68002771AA	1			74				MODULE, Navigation
-7	68024980AB	1			74				BEZEL



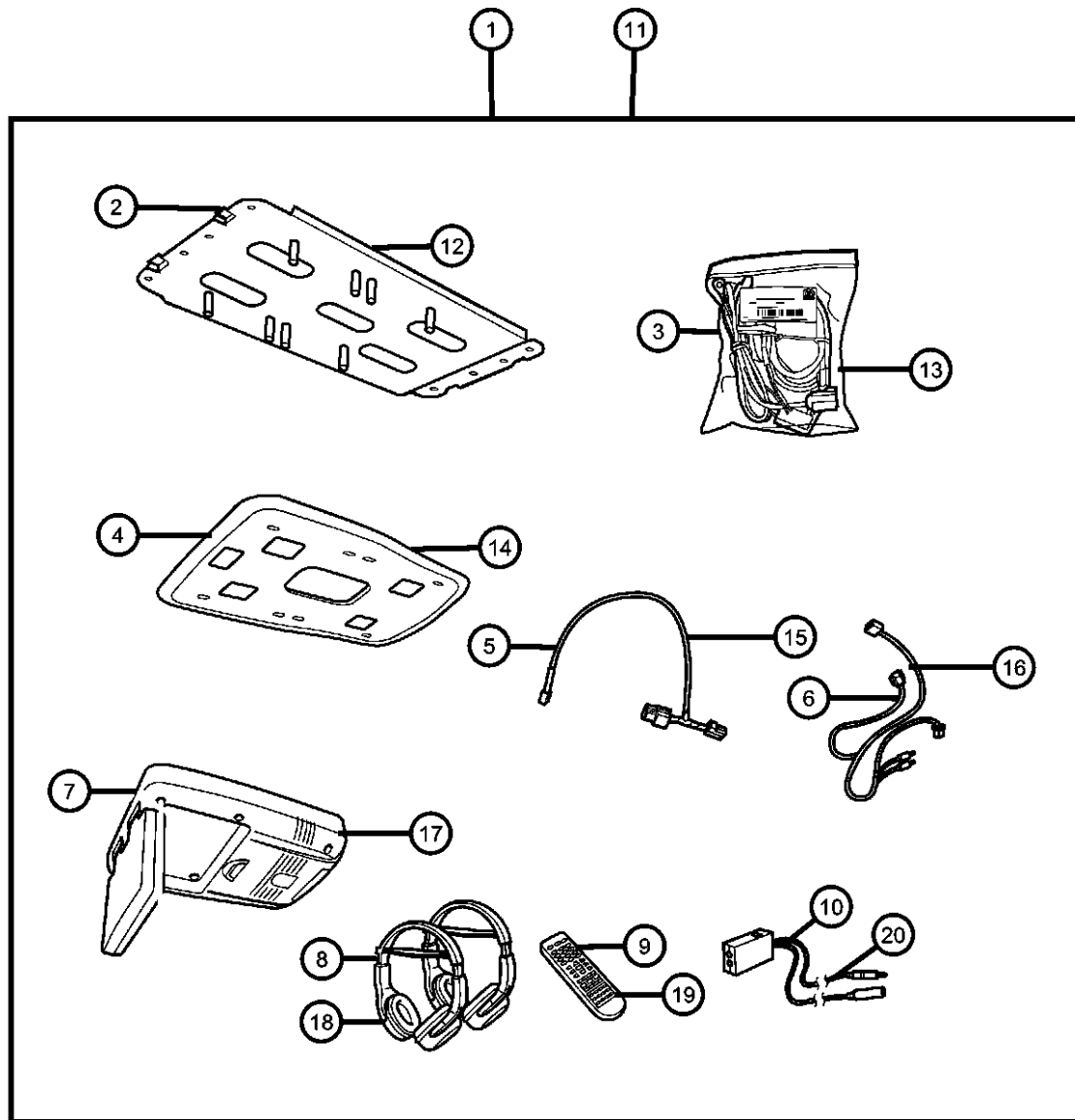
DODGE NITRO (KA)

SERIES	LINE	BODY	ENGINE	TRANSMISSION
L = LOWLINE	1 = Lt. Duty DODGE 2WD	74 = SPORT UTILITY 4-DR	EKG = 3.7L V6 Engine	DEH = 6-Speed Manual NSG370
P = PREMIUM	5 = Lt. Duty DODGE 4WD	TYPE #4	ENS = 2.8L 4 Cyl TD Next	Transmission
	6 = Lt. Duty DODGE 4WD		Generation Engine	DGJ = 5-Speed Auto W5A580
			EGS = 4.0L V6 SOHC Engine	Transmission
				DGV = 4-Spd. Automatic VLP 42RLE
				Trans

AR = use ase required - = Non illustrated part

2008 KA

Media System
Figure 1-110



ITEM	PART NUMBER	QTY	LINE	SERIES	BODY	ENGINE	TRANS	TRIM	DESCRIPTION
1	82210535AB	1							MEDIA SYSTEM, Monitor With DVD, 8 Inch
2	68002657AA	1							BRACKET, Mounting
3	68004405AA	1							HARNESS, Wiring
4	68002654AA	1							SHROUD, SHROUD
5	68002649AA	1							HARNESS, Wiring
6	05166870AA	1							HARNESS, Wiring
7	05166869AA	1							DVD ASSEMBLY, Overhead
8	05064037AA	1							HEADPHONES, Wireless
9	05166873AA	1							REMOTE, Wireless Infrared
10	05166872AA	1							MODULATOR, FM
11	82210917	1			74				MEDIA SYSTEM, Monitor With DVD, 10 Inch
12	68037917AA	1			74				BRACKET, Mounting
13	68004405AA	1							HARNESS, Wiring
14	68022581AA	1			74				SHROUD, SHROUD
15	68002649AA	1							HARNESS, Wiring
16	68026724AA	1			74				HARNESS, Wiring
17	68022580AA	1			74				DVD ASSEMBLY, Overhead
18	05064037AA	1							HEADPHONES, Wireless
19	68024459AA	1			74				REMOTE, Wireless Infrared
20	05166872AA	1							MODULATOR, FM
-21	68037916AA	1			74				HARNESS, Wiring

DODGE NITRO (KA)

SERIES LINE
L = LOWLINE 1 = Lt. Duty DODGE 2WD
P = PREMIUM 5 = Lt. Duty DODGE 4WD
 6 = Lt. Duty DODGE 4WD

BODY
74 = SPORT UTILITY 4-DR
TYPE #4

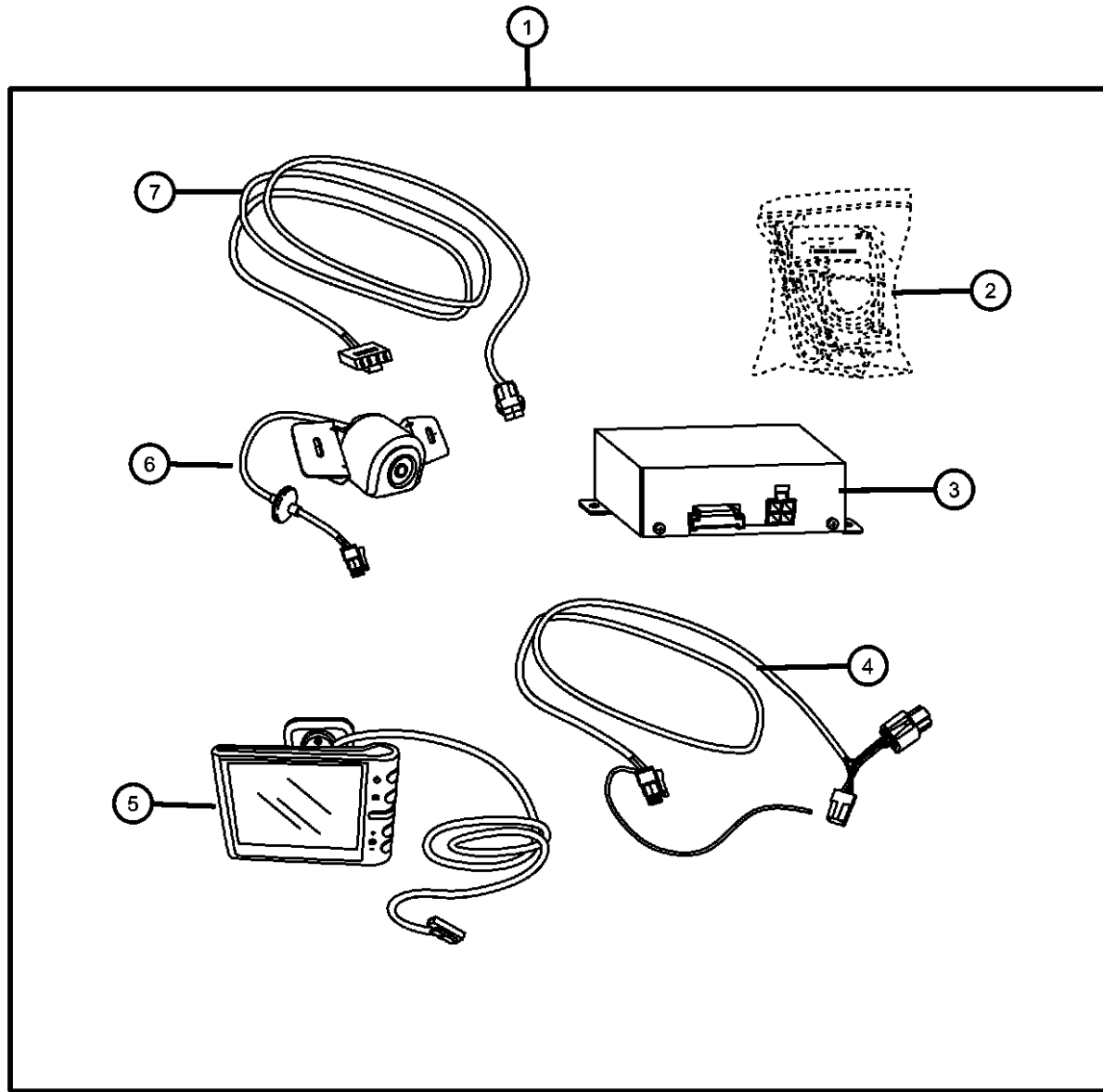
ENGINE
EKG = 3.7L V6 Engine
ENS = 2.8L 4 Cyl TD Next
Generation Engine
EGS = 4.0L V6 SOHC Engine

TRANSMISSION
DEH = 6-Speed Manual NSG370
Transmission
DGJ = 5-Speed Auto W5A580
Transmission
DGV = 4-Spd. Automatic VLP 42RLE
Trans

AR = use ase required - = Non illustrated part

2008 KA

Camera - Back Up
Figure 1-118



ITEM	PART NUMBER	QTY	LINE	SERIES	BODY	ENGINE	TRANS	TRIM	DESCRIPTION
1	82210670AB	1			74				CAMERA KIT, Back Up
2	68004405AA	1			74				HARNESS, Wiring
3	05191903AA	1			74				CONTROL MODULE, Receiver
4	05191905AA	1			74				HARNESS, Wiring
5	05191907AA	1			74				MONITOR, Back Up Camera
6	05191906AA	1			74				CAMERA
7	05191904AA	1			74				HARNESS, Wiring

DODGE NITRO (KA)

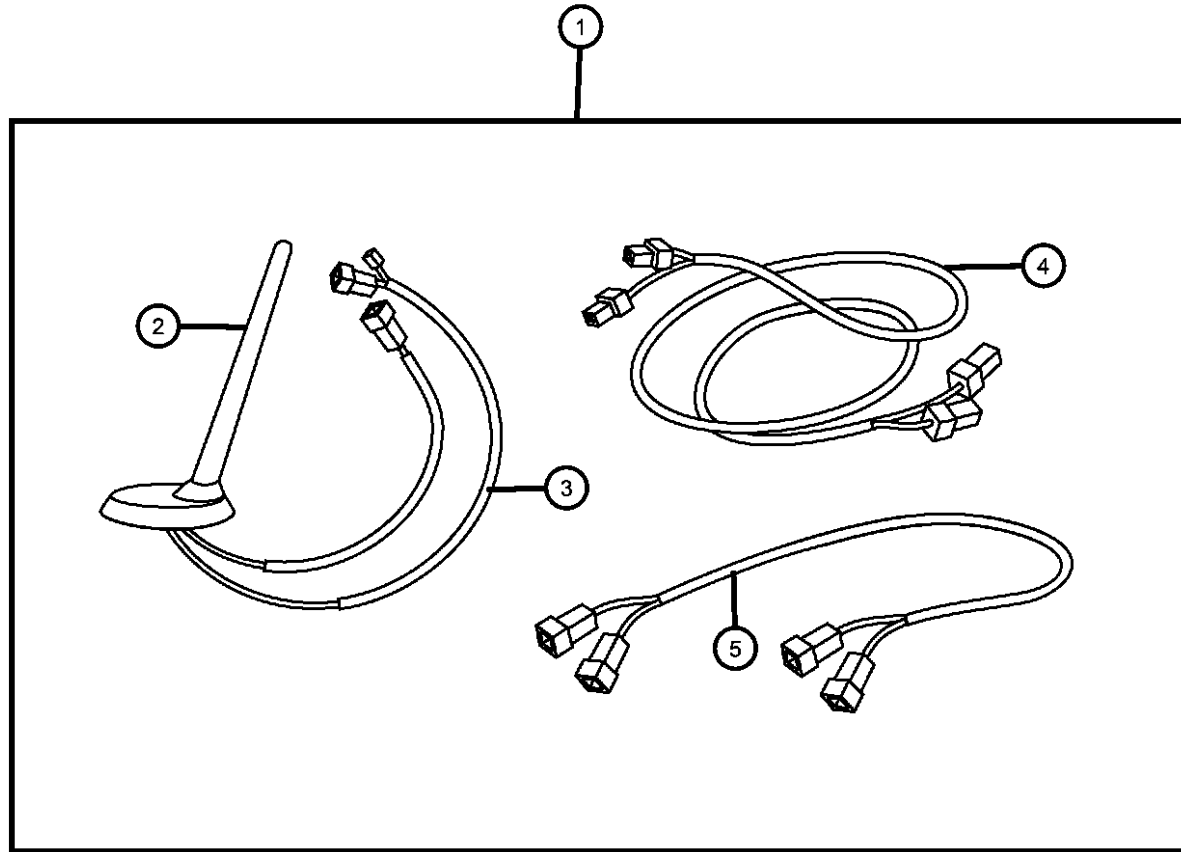
SERIES	LINE	BODY	ENGINE	TRANSMISSION
L = LOWLINE	1 = Lt. Duty DODGE 2WD	74 = SPORT UTILITY 4-DR	EKG = 3.7L V6 Engine	DEH = 6-Speed Manual NSG370
P = PREMIUM	5 = Lt. Duty DODGE 4WD	TYPE #4	ENS = 2.8L 4 Cyl TD Next	Transmission
	6 = Lt. Duty DODGE 4WD		Generation Engine	DGJ = 5-Speed Auto W5A580
			EGS = 4.0L V6 SOHC Engine	Transmission
				DGV = 4-Spd. Automatic VLP 42RLE
				Trans

AR = use ase required - = Non illustrated part

2008 KA

**Receiver Kit - Satellite
Figure 1-120**

ITEM	PART NUMBER	QTY	LINE	SERIES	BODY	ENGINE	TRANS	TRIM	DESCRIPTION
1	82210788	1			74				INSTALL KIT, Satelite Receiver
2	05064253AB	1			74				MAST, Antenna
3	05064164AB	1			74				BASE, Antenna
4	05064164AB	1							CABLE, Satellite Radio, (NOT SERVICED)
5	56040837AC	1			74				CABLE, Satellite Radio



DODGE NITRO (KA)

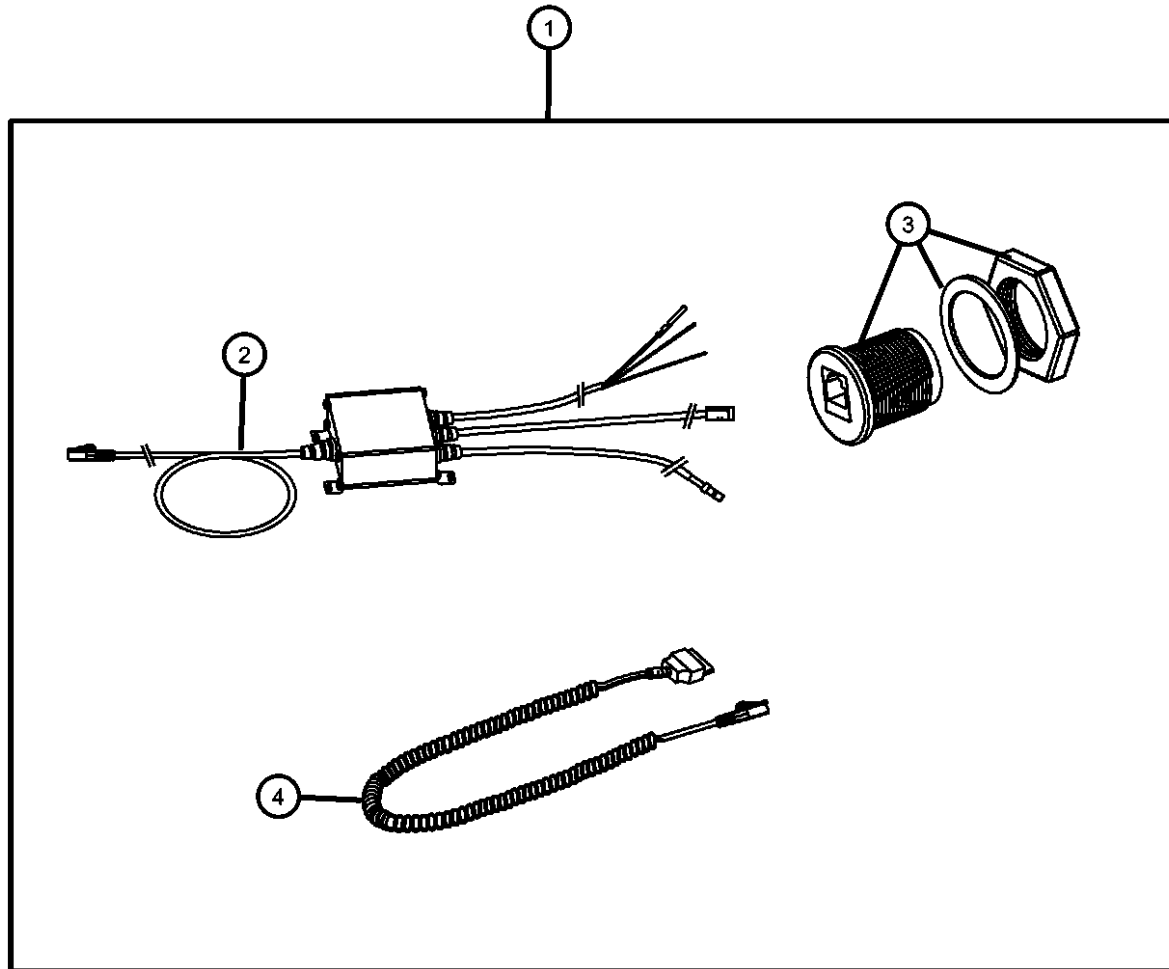
SERIES	LINE	BODY	ENGINE	TRANSMISSION
L = LOWLINE	1 = Lt. Duty DODGE 2WD	74 = SPORT UTILITY 4-DR	EKG = 3.7L V6 Engine	DEH = 6-Speed Manual NSG370
P = PREMIUM	5 = Lt. Duty DODGE 4WD	TYPE #4	ENS = 2.8L 4 Cyl TD Next Generation Engine	Transmission
	6 = Lt. Duty DODGE 4WD		EGS = 4.0L V6 SOHC Engine	DGJ = 5-Speed Auto W5A580 Transmission
				DGV = 4-Spd. Automatic VLP 42RLE Trans

AR = use ase required - = Non illustrated part

2008 KA

IPod
Figure 1-122

ITEM	PART NUMBER	QTY	LINE	SERIES	BODY	ENGINE	TRANS	TRIM	DESCRIPTION
1	82210848AB	1			74				MODULE KIT, IPOD Interface
2	82210848AB	1							MODULE, (NOT SERVICED)
3	68024675AA	1			74				HARDWARE
4	68001396AA	1							HARNESS, Jumper



DODGE NITRO (KA)

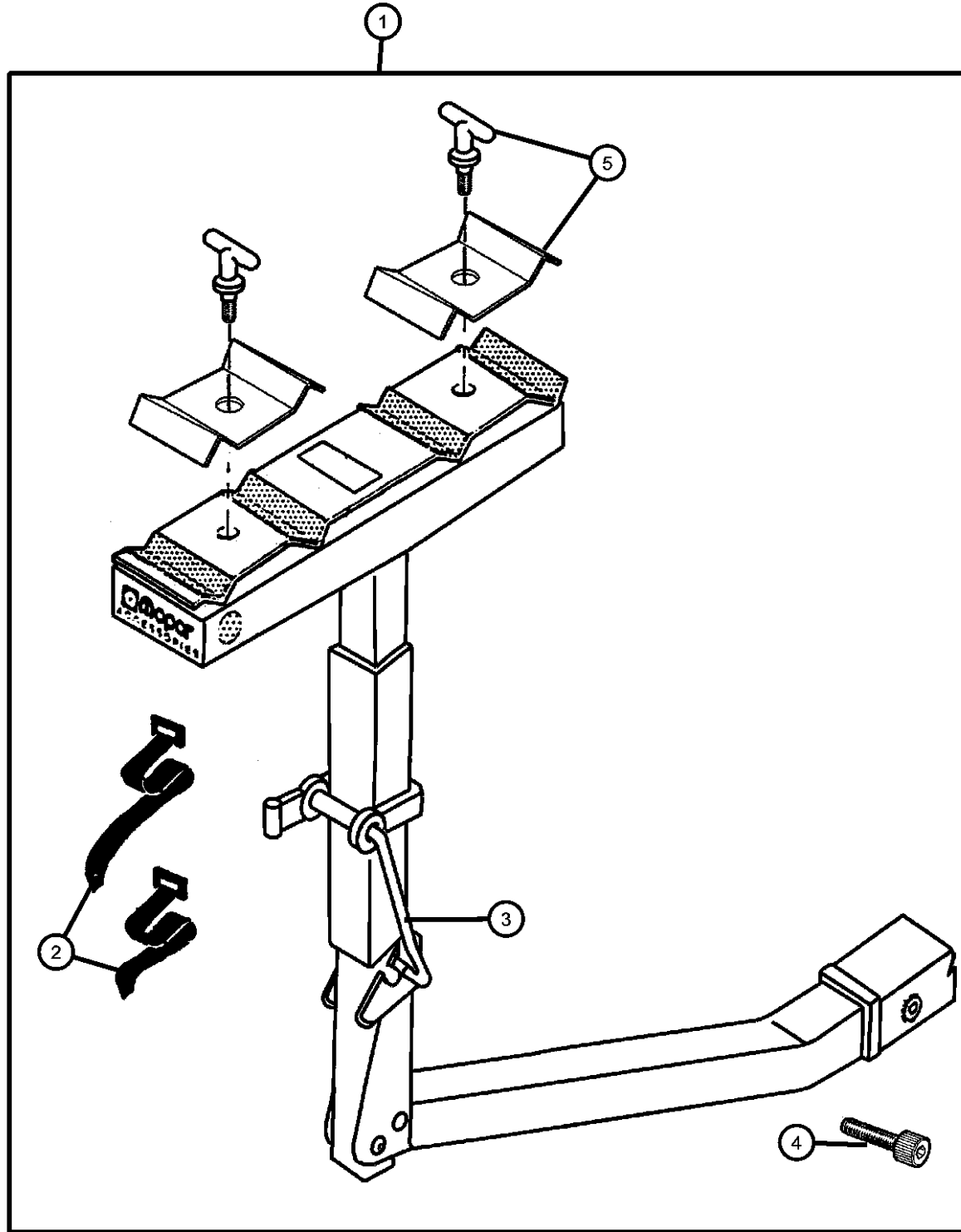
SERIES	LINE	BODY	ENGINE	TRANSMISSION
L = LOWLINE	1 = Lt. Duty DODGE 2WD	74 = SPORT UTILITY 4-DR	EKG = 3.7L V6 Engine	DEH = 6-Speed Manual NSG370
P = PREMIUM	5 = Lt. Duty DODGE 4WD	TYPE #4	ENS = 2.8L 4 Cyl TD Next	Transmission
	6 = Lt. Duty DODGE 4WD		Generation Engine	DGJ = 5-Speed Auto W5A580
			EGS = 4.0L V6 SOHC Engine	Transmission
				DGV = 4-Spd. Automatic VLP 42RLE
				Trans

AR = use ase required - = Non illustrated part

2008 KA

Carrier Kit - Bike Hitch Mount
Figure 1-204

ITEM	PART NUMBER	QTY	LINE	SERIES	BODY	ENGINE	TRANS	TRIM	DESCRIPTION
------	-------------	-----	------	--------	------	--------	-------	------	-------------



Note; Requires 2 Inch Hitch Receiver

1	82204328	1							CARRIER KIT, Bike 4 Place Carrier
	82204453	1							Fold Down
2	04762880	1							STRAP KIT, Velcro
3	05016775AA	1							STRAP KIT, Bike Carrier Latch
4	05016776AA	1							BOLT KIT, Security
5	05018825AA	1							HARDWARE KIT, Bike Carrier, Contains: T-Handle, Lock Strap, Top Clamp Assembly, & Nylon Washer

DODGE NITRO (KA)

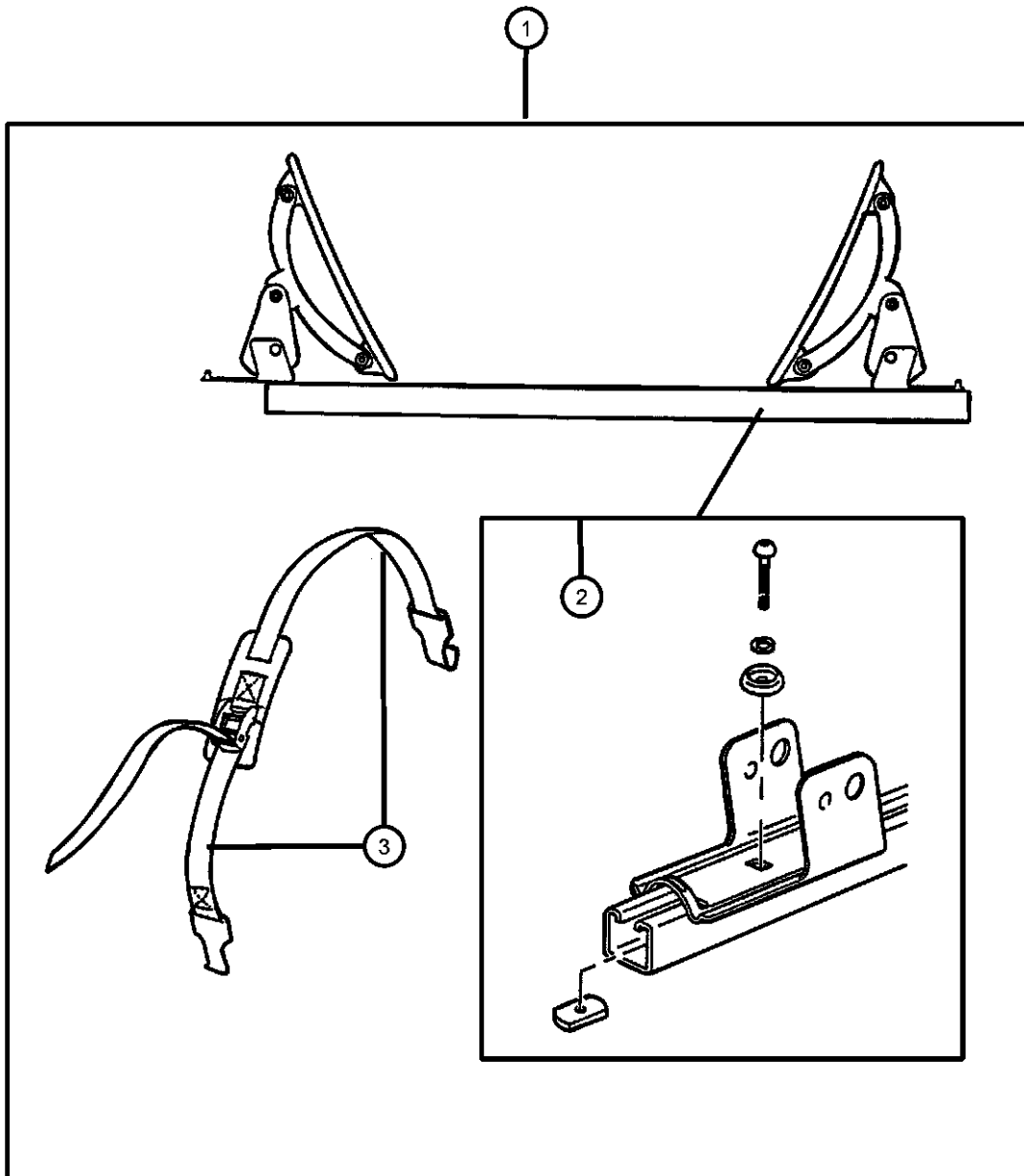
SERIES	LINE	BODY	ENGINE	TRANSMISSION
L = LOWLINE	1 = Lt. Duty DODGE 2WD	74 = SPORT UTILITY 4-DR TYPE #4	EKG = 3.7L V6 Engine	DEH = 6-Speed Manual NSG370 Transmission
P = PREMIUM	5 = Lt. Duty DODGE 4WD		ENS = 2.8L 4 Cyl TD Next Generation Engine	DGJ = 5-Speed Auto W5A580 Transmission
	6 = Lt. Duty DODGE 4WD		EGS = 4.0L V6 SOHC Engine	DGV = 4-Spd. Automatic VLP 42RLE Trans

AR = use ase required - = Non illustrated part

2008 KA

Carrier Kit - Water Sports
Figure 1-210

ITEM	PART NUMBER	QTY	LINE	SERIES	BODY	ENGINE	TRANS	TRIM	DESCRIPTION
------	-------------	-----	------	--------	------	--------	-------	------	-------------



Note; Requires Sport Utility Rack

1	82205416	1							
2	05016389AA	1							
3	05016511AA	1							

CARRIER KIT, Water Sports
 HARDWARE KIT, Accessory,
 Contains: 4-25MM Button Head
 Screws, 4-30MM Button Head
 Screws, 4-Lock Washers, 4-Dome
 Washers, 4- Rubber Washers &
 4-T-Nuts
 STRAP, Cargo Tie Down

DODGE NITRO (KA)

SERIES	LINE
L = LOWLINE	1 = Lt. Duty DODGE 2WD
P = PREMIUM	5 = Lt. Duty DODGE 4WD
	6 = Lt. Duty DODGE 4WD

BODY
74 = SPORT UTILITY 4-DR TYPE #4

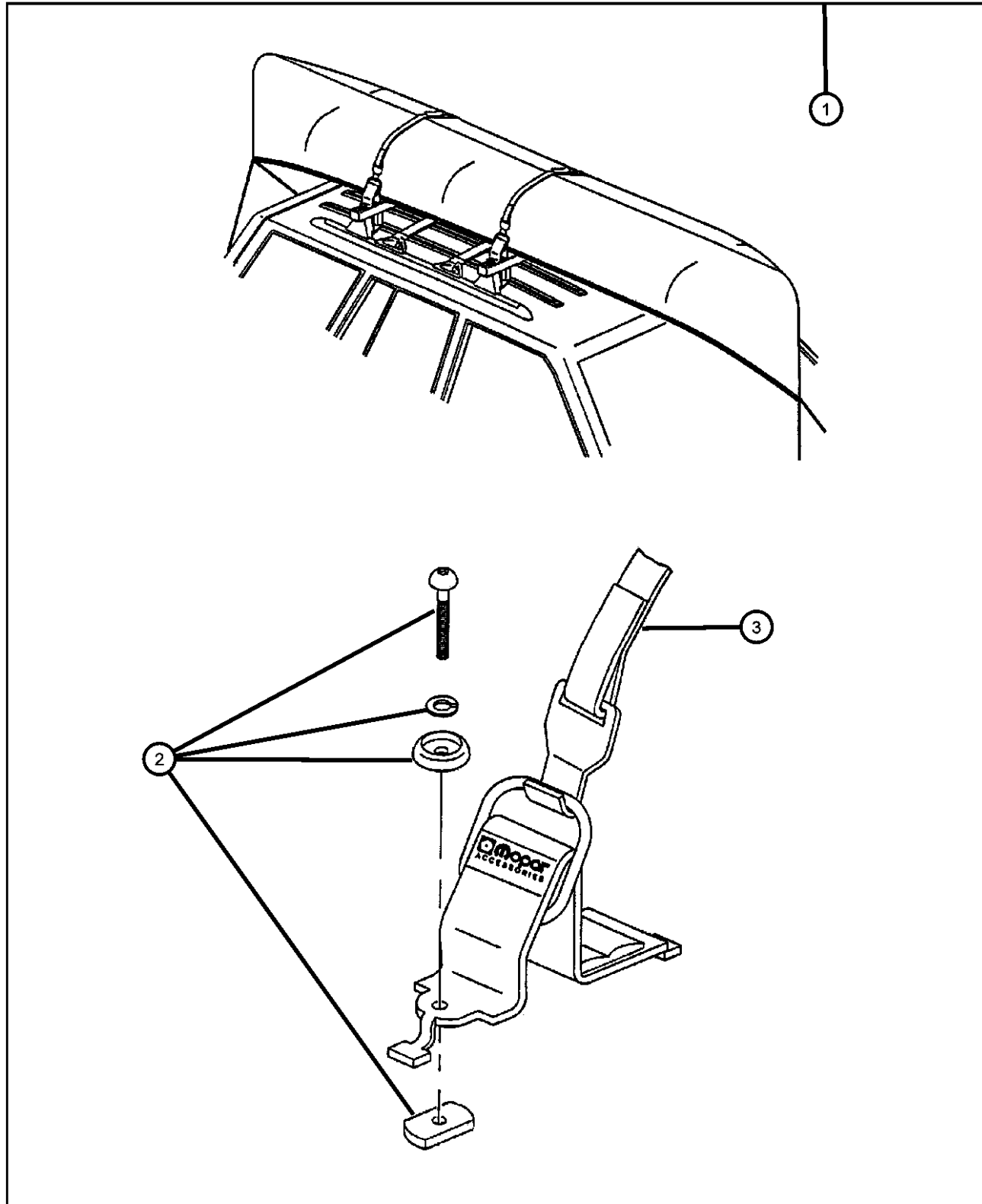
ENGINE
EKG = 3.7L V6 Engine
ENS = 2.8L 4 Cyl TD Next Generation Engine
EGS = 4.0L V6 SOHC Engine

TRANSMISSION
DEH = 6-Speed Manual NSG370 Transmission
DGJ = 5-Speed Auto W5A580 Transmission
DGV = 4-Spd. Automatic VLP 42RLE Trans

AR = use ase required - = Non illustrated part

2008 KA

Carrier Kit - Canoe
Figure 1-212



ITEM	PART NUMBER	QTY	LINE	SERIES	BODY	ENGINE	TRANS	TRIM	DESCRIPTION
------	-------------	-----	------	--------	------	--------	-------	------	-------------

Note; Requires Sport Utility Rack

1	82204700	1							
2	05016389AA	1							
3	05016511AA	1							

CARRIER KIT, Canoe
HARDWARE KIT, Accessory,
Contains: 4-25MM Button Head
Screws, 4-30MM Button Head
Screws, 4-Lock Washers, 4-Dome
Washers, 4-Rubber Washers &
4-T-Nuts
STRAP, Cargo Tie Down

DODGE NITRO (KA)

SERIES	LINE
L = LOWLINE	1 = Lt. Duty DODGE 2WD
P = PREMIUM	5 = Lt. Duty DODGE 4WD
	6 = Lt. Duty DODGE 4WD

BODY
74 = SPORT UTILITY 4-DR TYPE #4

ENGINE
EKG = 3.7L V6 Engine
ENS = 2.8L 4 Cyl TD Next Generation Engine
EGS = 4.0L V6 SOHC Engine

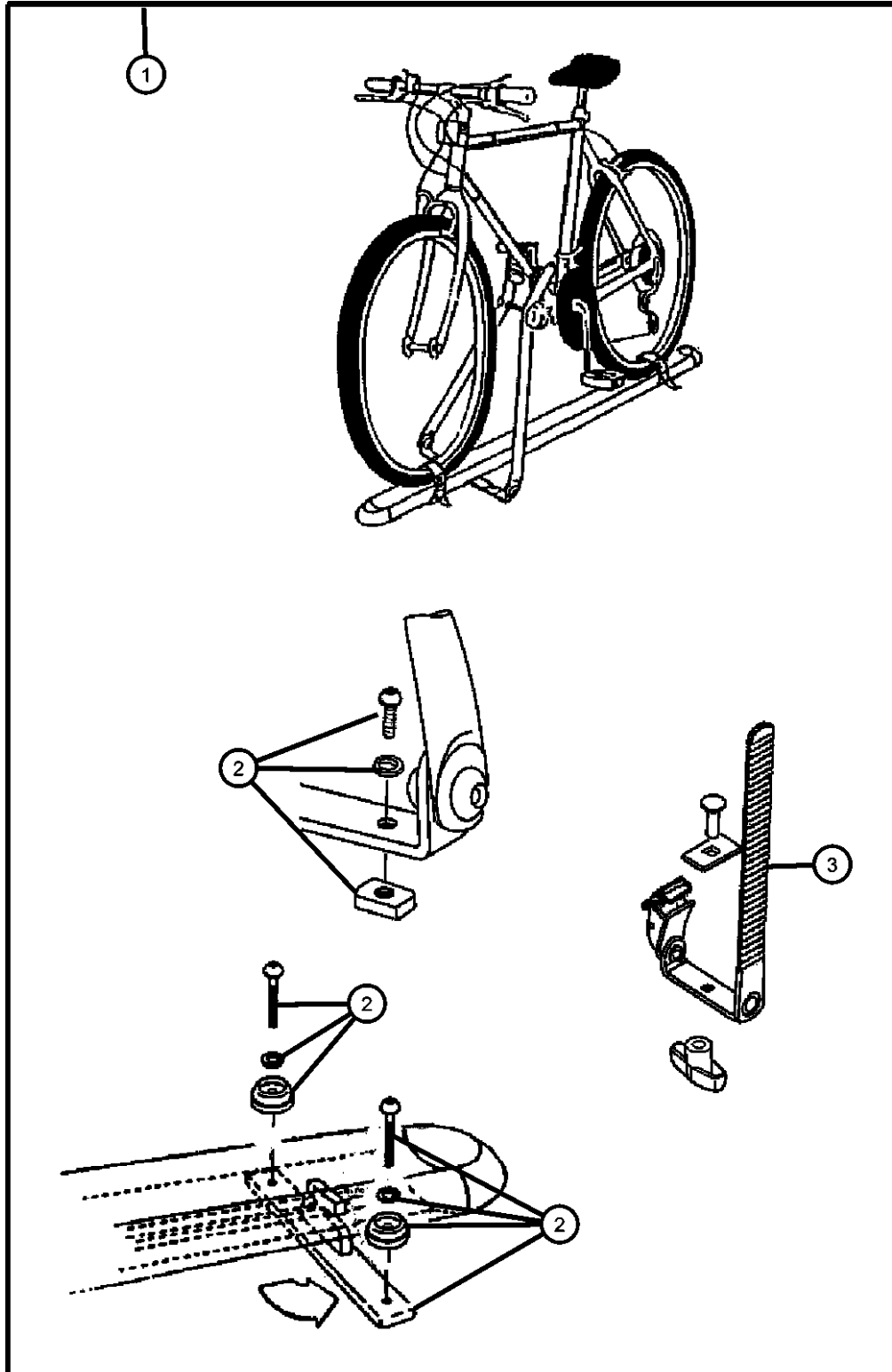
TRANSMISSION
DEH = 6-Speed Manual NSG370 Transmission
DGJ = 5-Speed Auto W5A580 Transmission
DGV = 4-Spd. Automatic VLP 42RLE Trans

AR = use ase required - = Non illustrated part

2008 KA

Carrier Kit - Bike Fork Mount
Figure 1-214

ITEM	PART NUMBER	QTY	LINE	SERIES	BODY	ENGINE	TRANS	TRIM	DESCRIPTION
------	-------------	-----	------	--------	------	--------	-------	------	-------------



Note; Requires Sport Utility Rack

1	82207942	1							CARRIER KIT, Bike, Fork Mount
2	05093779AA	1							HARDWARE KIT, Accessory, Contains: 2-T-Slot Anchors, 1-Rear T-Slot Bar, 4-Button Head Screws, 2-Lockwashers, 4-Round Dome Washers
3	05114532AA	1							STRAP, Cargo Tie Down

CARRIER KIT, Bike, Fork Mount
HARDWARE KIT, Accessory,
Contains: 2-T-Slot Anchors,
1-Rear T-Slot Bar, 4-Button Head
Screws, 2-Lockwashers, 4-Round
Dome Washers
STRAP, Cargo Tie Down

DODGE NITRO (KA)

SERIES	LINE
L = LOWLINE	1 = Lt. Duty DODGE 2WD
P = PREMIUM	5 = Lt. Duty DODGE 4WD
	6 = Lt. Duty DODGE 4WD

BODY
74 = SPORT UTILITY 4-DR TYPE #4

ENGINE
EKG = 3.7L V6 Engine
ENS = 2.8L 4 Cyl TD Next Generation Engine
EGS = 4.0L V6 SOHC Engine

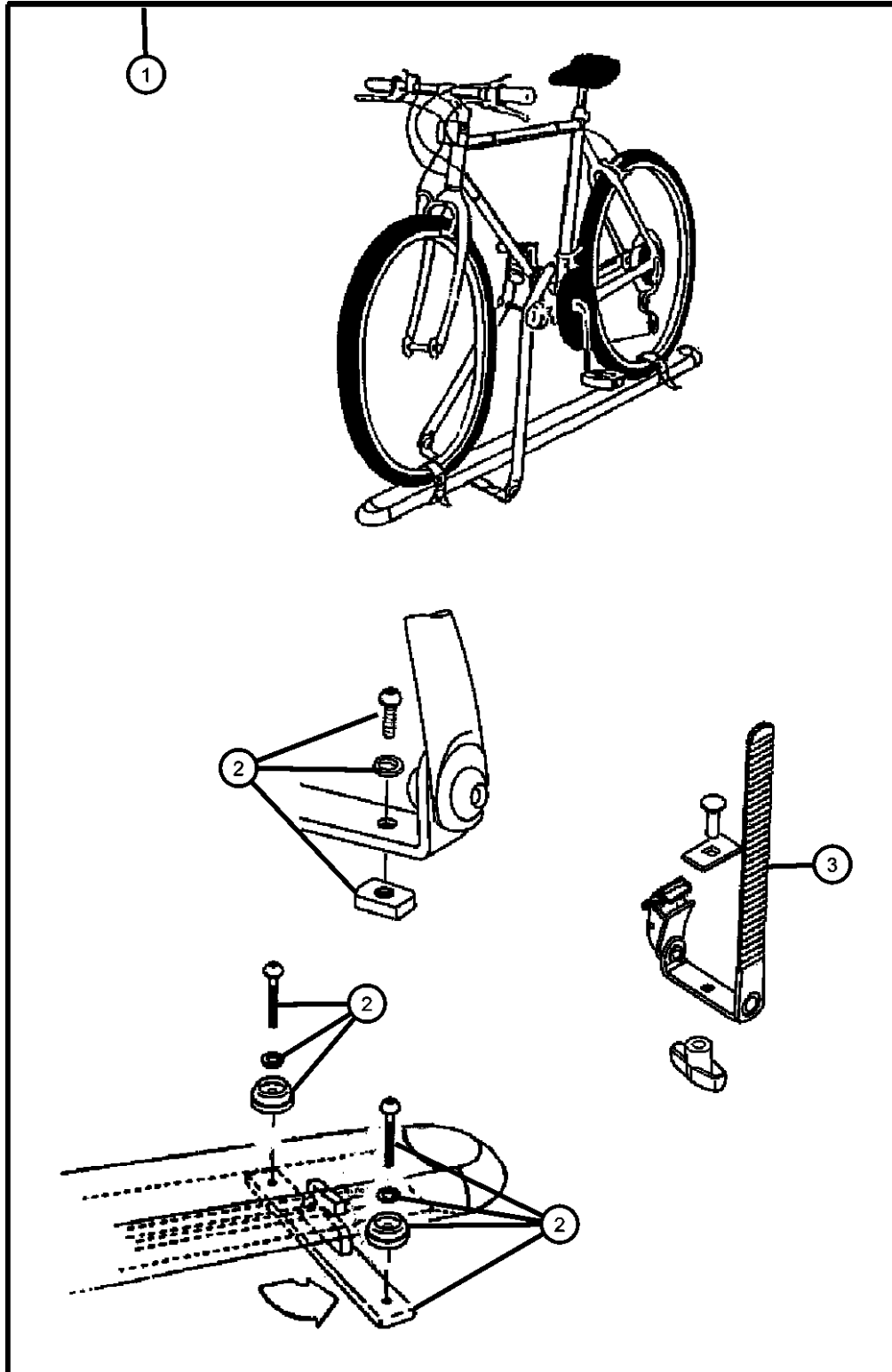
TRANSMISSION
DEH = 6-Speed Manual NSG370 Transmission
DGJ = 5-Speed Auto W5A580 Transmission
DGV = 4-Spd. Automatic VLP 42RLE Trans

AR = use ase required - = Non illustrated part

2008 KA

Carrier Kit - Bike Upright Mount
Figure 1-216

ITEM	PART NUMBER	QTY	LINE	SERIES	BODY	ENGINE	TRANS	TRIM	DESCRIPTION
------	-------------	-----	------	--------	------	--------	-------	------	-------------



Note; Requires Sport Utility Rack

1	82207943	1							
2	05093779AA	1							
3	05114532AA	1							

CARRIER KIT, Bike, Upright - Mount
HARDWARE KIT, Accessory, Contains: 2-T-Slot Anchors, 1-Rear T-Slot Bar, 4-Button Head Screws, 2-Lockwashers, 4-Round Dome Washers
STRAP, Cargo Tie Down

DODGE NITRO (KA)

SERIES	LINE
L = LOWLINE	1 = Lt. Duty DODGE 2WD
P = PREMIUM	5 = Lt. Duty DODGE 4WD
	6 = Lt. Duty DODGE 4WD

BODY
74 = SPORT UTILITY 4-DR TYPE #4

ENGINE
EKG = 3.7L V6 Engine
ENS = 2.8L 4 Cyl TD Next Generation Engine
EGS = 4.0L V6 SOHC Engine

TRANSMISSION
DEH = 6-Speed Manual NSG370 Transmission
DGJ = 5-Speed Auto W5A580 Transmission
DGV = 4-Spd. Automatic VLP 42RLE Trans

AR = use ase required - = Non illustrated part

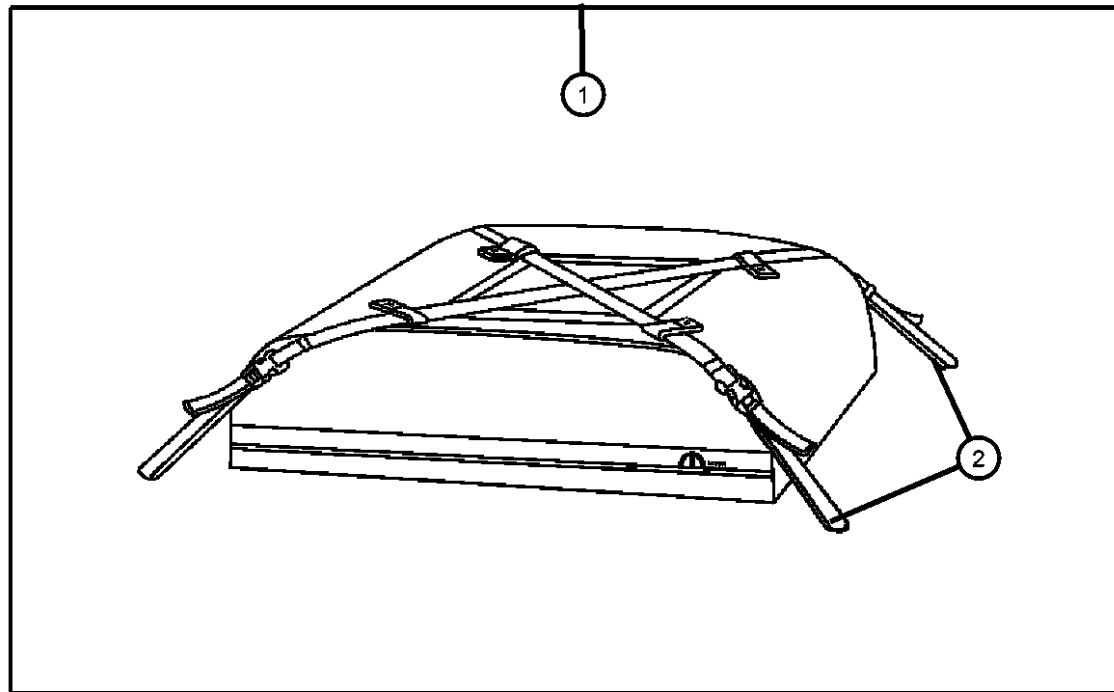
2008 KA

Carrier Kit - Luggage - Soft
Figure 1-252

ITEM	PART NUMBER	QTY	LINE	SERIES	BODY	ENGINE	TRANS	TRIM	DESCRIPTION
------	-------------	-----	------	--------	------	--------	-------	------	-------------

Note; Sport Utility or Production Rack Required

1	82207198	1							CARRIER KIT, Luggage
2	05066332AA	1							STRAP KIT, Luggage Carrier



DODGE NITRO (KA)

SERIES	LINE	BODY	ENGINE	TRANSMISSION
L = LOWLINE	1 = Lt. Duty DODGE 2WD	74 = SPORT UTILITY 4-DR	EKG = 3.7L V6 Engine	DEH = 6-Speed Manual NSG370
P = PREMIUM	5 = Lt. Duty DODGE 4WD	TYPE #4	ENS = 2.8L 4 Cyl TD Next	Transmission
	6 = Lt. Duty DODGE 4WD		Generation Engine	DGJ = 5-Speed Auto W5A580
			EGS = 4.0L V6 SOHC Engine	Transmission
				DGV = 4-Spd. Automatic VLP 42RLE
				Trans

AR = use ase required - = Non illustrated part

2008 KA

**Wiring Kit - Off Road
Figure 1-264**

ITEM	PART NUMBER	QTY	LINE	SERIES	BODY	ENGINE	TRANS	TRIM	DESCRIPTION
1	82210822AC	1			74				WIRING KIT, Off Road
2	05179783AA	1			74				HARNESS, Wiring
3	04778570	1			74				TUBE, Heat Shrink
4	68005178AA	1			74				SWITCH, Fog Lamp
5	06015756	1			74				STRAP, Tie, Quantity of 10
6	05179784AA	1			74				HARNESS, Roof

DODGE NITRO (KA)

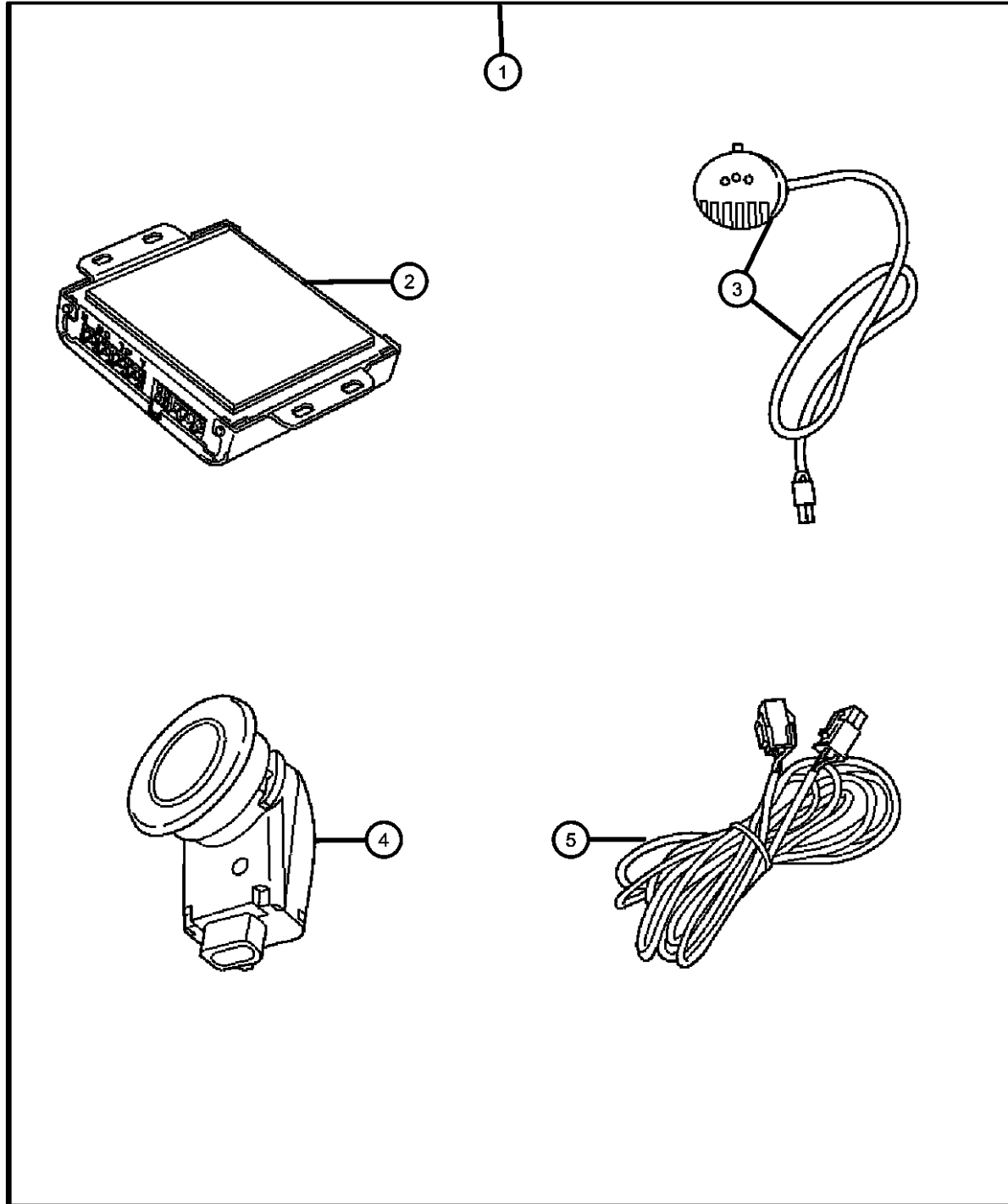
SERIES	LINE	BODY	ENGINE	TRANSMISSION
L = LOWLINE	1 = Lt. Duty DODGE 2WD	74 = SPORT UTILITY 4-DR	EKG = 3.7L V6 Engine	DEH = 6-Speed Manual NSG370
P = PREMIUM	5 = Lt. Duty DODGE 4WD	TYPE #4	ENS = 2.8L 4 Cyl TD Next	Transmission
	6 = Lt. Duty DODGE 4WD		Generation Engine	DGJ = 5-Speed Auto W5A580
			EGS = 4.0L V6 SOHC Engine	Transmission
				DGV = 4-Spd. Automatic VLP 42RLE
				Trans

AR = use ase required - = Non illustrated part

2008 KA

Sensor Kit - Park/Distance
Figure 1-320

ITEM	PART NUMBER	QTY	LINE	SERIES	BODY	ENGINE	TRANS	TRIM	DESCRIPTION
1	82208246AD	1							SENSOR KIT, Park Distance
2	05137541AA	1							MODULE, Parking Assist
3	05137539AA	1							DISPLAY, Parking Assist
4	05137536AA	1							SENSOR
5	05137540AA	1							WIRING, Distance Sensor



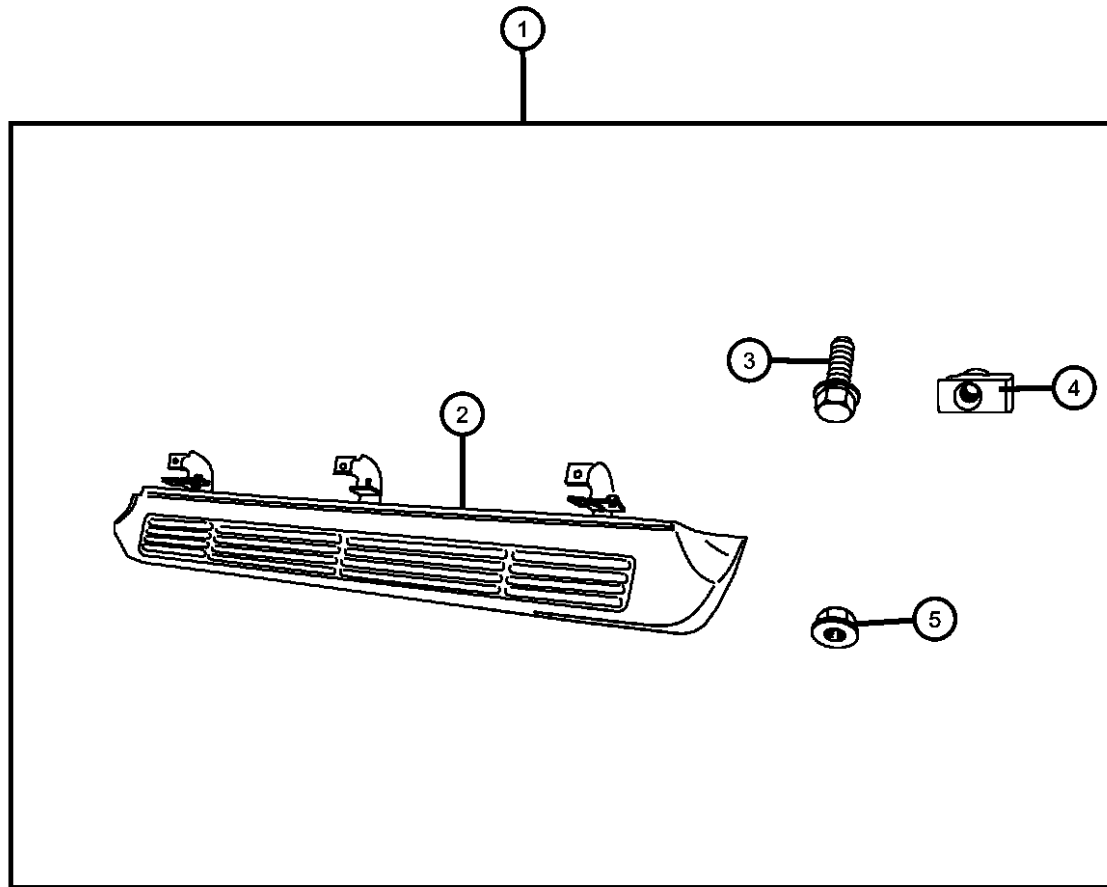
DODGE NITRO (KA)

SERIES	LINE	BODY	ENGINE	TRANSMISSION
L = LOWLINE	1 = Lt. Duty DODGE 2WD	74 = SPORT UTILITY 4-DR	EKG = 3.7L V6 Engine	DEH = 6-Speed Manual NSG370
P = PREMIUM	5 = Lt. Duty DODGE 4WD	TYPE #4	ENS = 2.8L 4 Cyl TD Next	Transmission
	6 = Lt. Duty DODGE 4WD		Generation Engine	DGJ = 5-Speed Auto W5A580
			EGS = 4.0L V6 SOHC Engine	Transmission
				DGV = 4-Spd. Automatic VLP 42RLE
				Trans

AR = use ase required - = Non illustrated part

Board Kit - Running-Power
Figure 1-438

ITEM	PART NUMBER	QTY	LINE	SERIES	BODY	ENGINE	TRANS	TRIM	DESCRIPTION
1	82210591	1			74				RUNNING BOARD KIT, Full
2	1CH61RXFAC	2	1, 5, 6		74				RUNNING BOARD, Board
3	06104386AA	4	1, 5, 6		74				BOLT AND WASHER, Hex Head, M8X1.25X25.00
4	06101833	6	1, 5, 6		74				U-NUT, M8x1.25
5	06104709AA	2	1, 5, 6		74				NUT, Hex Flange, M8x1.25



DODGE NITRO (KA)

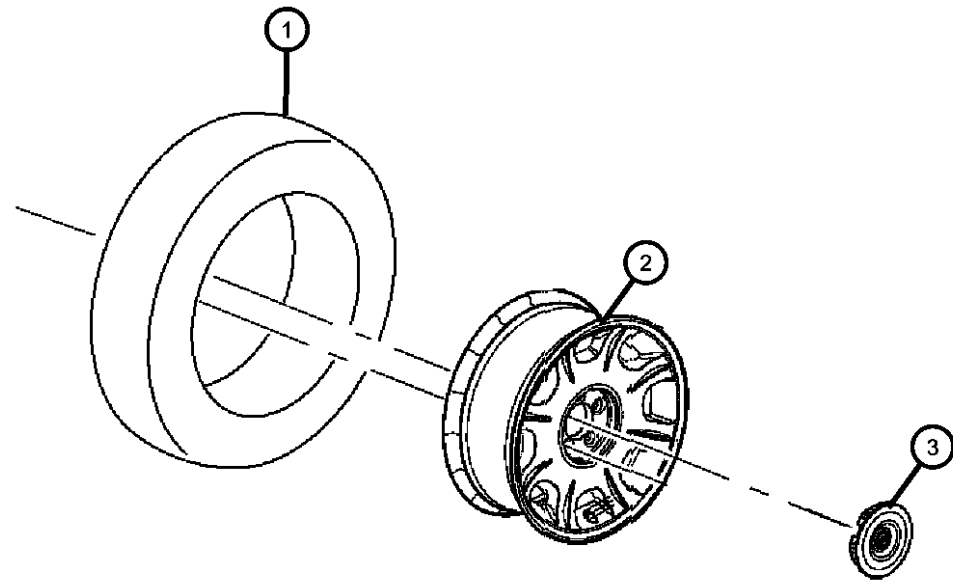
SERIES	LINE	BODY	ENGINE	TRANSMISSION
L = LOWLINE	1 = Lt. Duty DODGE 2WD	74 = SPORT UTILITY 4-DR	EKG = 3.7L V6 Engine	DEH = 6-Speed Manual NSG370
P = PREMIUM	5 = Lt. Duty DODGE 4WD	TYPE #4	ENS = 2.8L 4 Cyl TD Next	Transmission
	6 = Lt. Duty DODGE 4WD		Generation Engine	DGJ = 5-Speed Auto W5A580
			EGS = 4.0L V6 SOHC Engine	Transmission
				DGV = 4-Spd. Automatic VLP 42RLE
				Trans

AR = use ase required - = Non illustrated part

2008 KA

**Wheel Kit
Figure 1-448**

ITEM	PART NUMBER	QTY	LINE	SERIES	BODY	ENGINE	TRANS	TRIM	DESCRIPTION
1	82210176	1							WHEEL KIT, Cast Aluminum
2	1BK47SZ0AC	4	1, 5, 6		74				WHEEL, Aluminum
3	04895900AA	1							CAP, Wheel Center



DODGE NITRO (KA)

SERIES LINE
 L = LOWLINE 1 = Lt. Duty DODGE 2WD
 P = PREMIUM 5 = Lt. Duty DODGE 4WD
 6 = Lt. Duty DODGE 4WD

BODY
 74 = SPORT UTILITY 4-DR
 TYPE #4

ENGINE
 EKG = 3.7L V6 Engine
 ENS = 2.8L 4 Cyl TD Next
 Generation Engine
 EGS = 4.0L V6 SOHC Engine

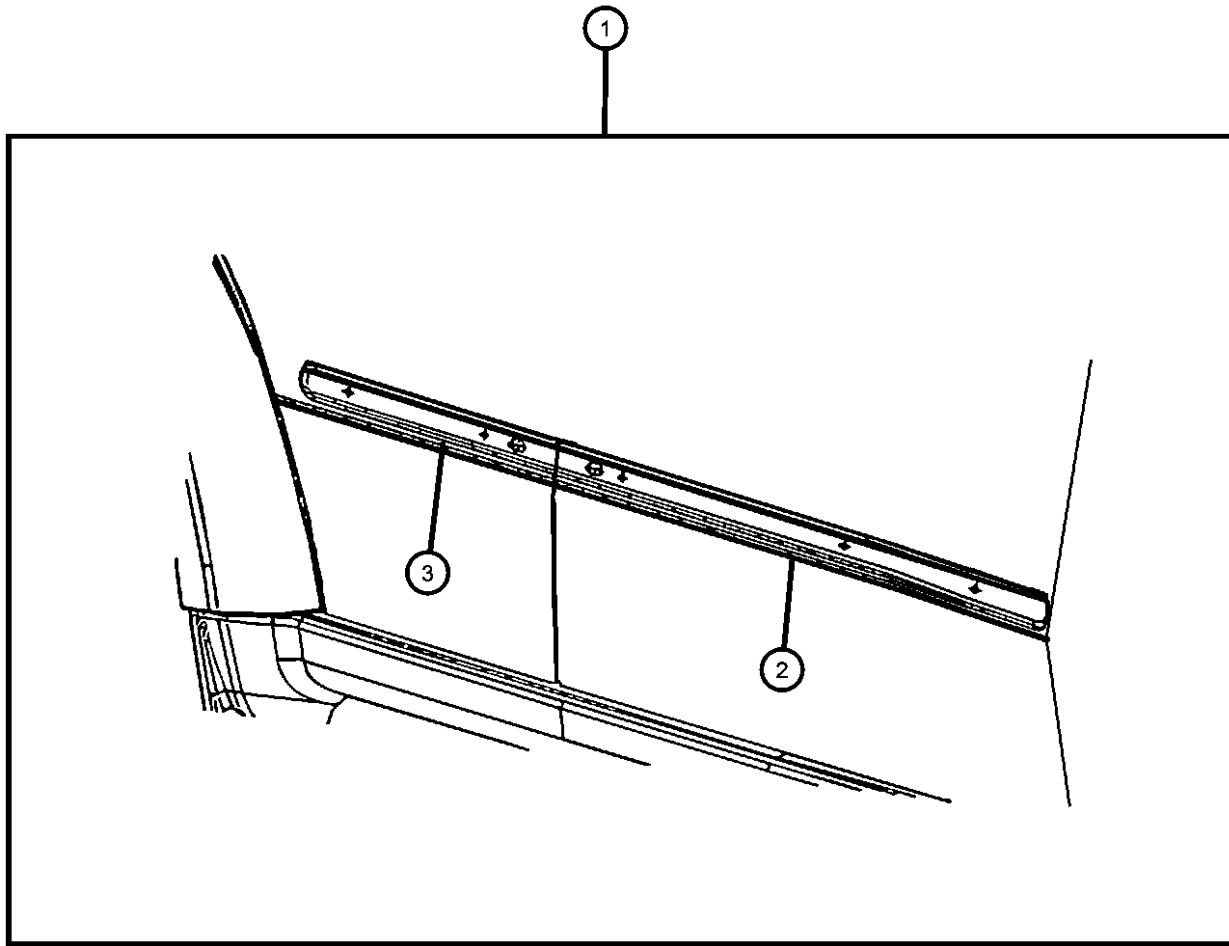
TRANSMISSION
 DEH = 6-Speed Manual NSG370
 Transmission
 DGJ = 5-Speed Auto W5A580
 Transmission
 DGV = 4-Spd. Automatic VLP 42RLE
 Trans

AR = use ase required - = Non illustrated part

2008 KA

**Molding Kits
Figure 1-506**

ITEM	PART NUMBER	QTY	LINE	SERIES	BODY	ENGINE	TRANS	TRIM	DESCRIPTION
1	82210692	1							DECOR KIT, Bodyside
2									MOLDING, Front Door
	68027850AA	1							Right Hand
	68027851AA	1							Left Hand
3									MOLDING, Rear Door
	68027852AA	1							Right Hand
	68027853AA	1							Left Hand



DODGE NITRO (KA)

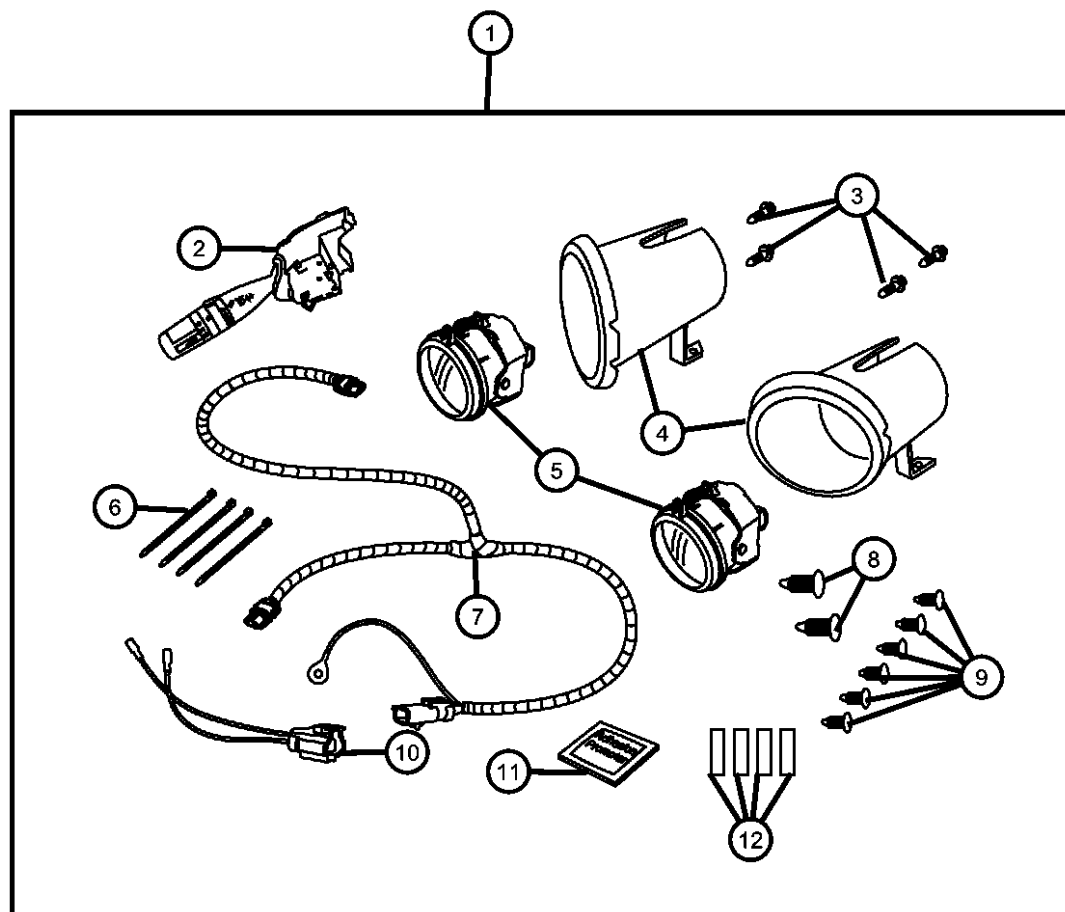
SERIES	LINE	BODY	ENGINE	TRANSMISSION
L = LOWLINE	1 = Lt. Duty DODGE 2WD	74 = SPORT UTILITY 4-DR	EKG = 3.7L V6 Engine	DEH = 6-Speed Manual NSG370
P = PREMIUM	5 = Lt. Duty DODGE 4WD	TYPE #4	ENS = 2.8L 4 Cyl TD Next	Transmission
	6 = Lt. Duty DODGE 4WD		Generation Engine	DGJ = 5-Speed Auto W5A580
			EGS = 4.0L V6 SOHC Engine	Transmission
				DGV = 4-Spd. Automatic VLP 42RLE
				Trans

AR = use ase required - = Non illustrated part

2008 KA

Light Kit - Fog
Figure 1-604

ITEM	PART NUMBER	QTY	LINE	SERIES	BODY	ENGINE	TRANS	TRIM	DESCRIPTION
1	82210663	1							LIGHT KIT, Fog
2	05183947AA	1							SWITCH, Multifunction
3	06506579AA	1							SCREW, Tapping, M6X2.69X21.55
4	68003364AA	1							BEZEL, Fog Lamp Right Hand
	68003365AA	1							Left Hand
5	04805857AA	1							LAMP, Front Fog
6	06015756	1							STRAP, Tie, Quantity of 4
7	05166846AA	1							HARNESSE, Overlay
8	06030441	1							PIN, Retainer
9	04658673	1							PIN PUSH, .150x.410, Quantity of 6
10	04658673	1							HARNESSE, Overlay, (NOT SERVICED)
11	04658673	1							ADHESIVE, (NOT SERVICED)
12	04658673	1							TAPE, (NOT SERVICED)



DODGE NITRO (KA)

SERIES	LINE	BODY	ENGINE	TRANSMISSION
L = LOWLINE	1 = Lt. Duty DODGE 2WD	74 = SPORT UTILITY 4-DR	EKG = 3.7L V6 Engine	DEH = 6-Speed Manual NSG370
P = PREMIUM	5 = Lt. Duty DODGE 4WD	TYPE #4	ENS = 2.8L 4 Cyl TD Next Generation Engine	Transmission
	6 = Lt. Duty DODGE 4WD		EGS = 4.0L V6 SOHC Engine	DGJ = 5-Speed Auto W5A580
				Transmission
				DGV = 4-Spd. Automatic VLP 42RLE
				Trans

AR = use ase required - = Non illustrated part