

VIN PLATE DECODING INFORMATION

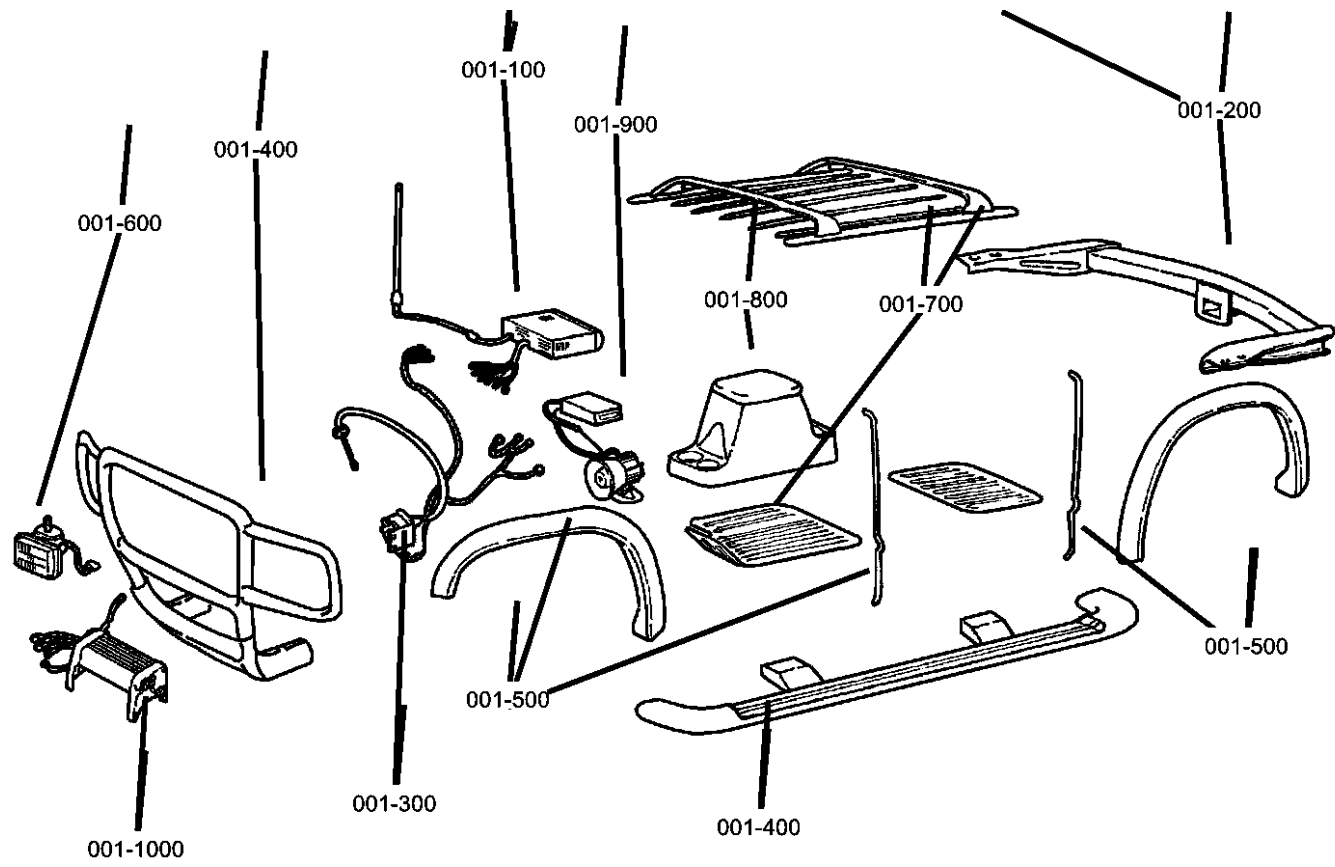
1	2	3	4	5	6	7	8	9	10	11	12 thru 17
Country	Make	Vehicle Type	Other	Line	Series	Body Style	Engine	Check Digit	Model Year	Assy. Plant	Sequence No.


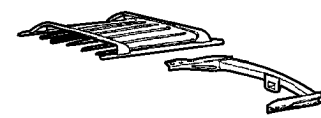

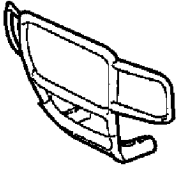
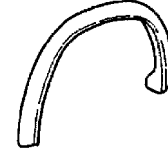


The following table interprets the VIN Plate position shown above.

Position	Interpretation	Codes = Description
1	Country of Origin	1 = Built in U.S. by DaimlerChrysler Corporation
2	Assembler	D = Dodge
3	Vehicle Type	4 = Multipurpose Passenger Vehicle Less Side Air Bags
4	GVWR & Pass. Safety	E = 1361-1814 kg (3001-4000 lbs) F = 1814-2267 kg (4001-5000 lbs) G = 2268-2721 kg (5001-6000 lbs) H = 2722-3175 kg (6001-7000 lbs) J = 3176-3628 kg (7001-8000 lbs) K = 3629-4082 kg (8001-9000 lbs) L = 4083-4535 kg (9001-10000 lbs) M = 4536-6350 kg (10001-14000 lbs)
5	Vehicle Line	T = Nitro Left Hand Drive (4x2) U = Nitro Left Hand Drive (4x4) 9 = Nitro Right Hand Drive (4x4)
6	Series	2 = Nitro 5 = Nitro SLT
7	Body Style	8 = KA 74
8	Engine	5 = 2.8L I4 Cyl. 16V Turbo Diesel (ENR) K = 3.7L V6 Cyl. Gas (EKG) 1 = 2.4L I4 Cyl. Gas DOHC (ED1) 7 = 2.5L I4 Cyl. 16V Turbo Diesel (ENJ)
9	Check Digit	0 = Check Digit
10	Model Year	7 = 2007
11	Assembly Plant	L = Toledo North Assembly
12 thru 17	Vehicle Build Sequence	Model Year Assembly Sequence

Group - 1

Component Parts for Mopar Accessories



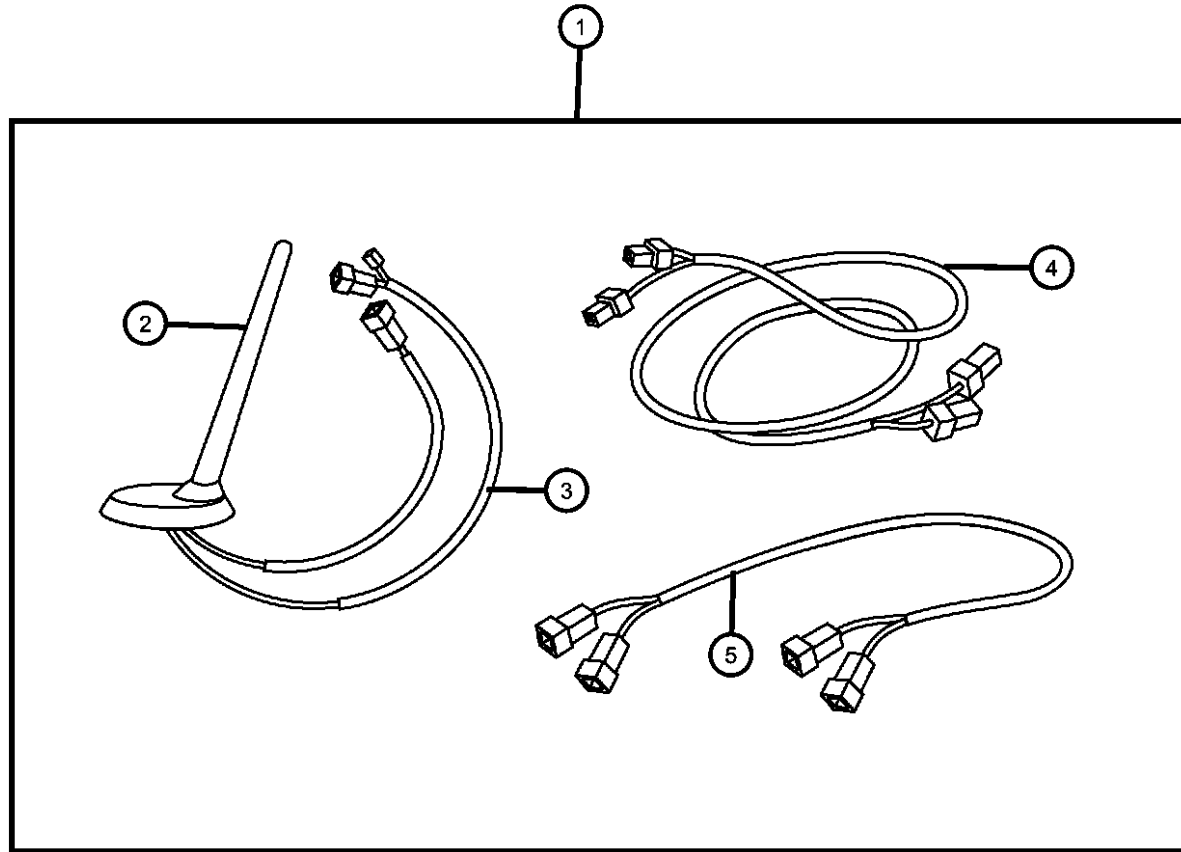
<p>001-100 Audio & Electronics</p> 	<p>001-200 Carriers & Cargo Hauling</p> 	<p>001-300 Driving Convenience</p> 	<p>001-400 Exterior Appearance</p> 
<p>001-500 Exterior Protection</p> 	<p>001-600 Fog Lights & Electrical</p> 	<p>001-900 Security</p> 	

Group - 1 Component Parts for Mopar Accessories

Illustration Title	Group-Fig. No.
Audio & Electronics	
Satellite Radio Antenna.....	Fig. 1 - 110
Video Entertainment System.....	Fig. 1 - 120
FM iPod Adapter.....	Fig. 1 - 160
Carriers & Cargo Hauling	
Bike Carrier-Hitch Mount Four Bikes.....	Fig. 1 - 210
Bike Carrier - Roof - Upright Mount.....	Fig. 1 - 215
Bike Carrier-Hitch Mount Two Bikes.....	Fig. 1 - 220
Carrier Kit - Canoe.....	Fig. 1 - 225
Carrier Kit - Water Sports.....	Fig. 1 - 230
Ski Carrier - Roof Mount.....	Fig. 1 - 240
Luggage Carrier - Roof - Hard Style.....	Fig. 1 - 245
Luggage Carrier - Roof - Vinyl.....	Fig. 1 - 250
Driving Convenience	
Remote Start.....	Fig. 1 - 310
Sensor Package Park/Distance.....	Fig. 1 - 320
Hands Free Kit Cellular Phone/Blue Tooth.....	Fig. 1 - 330
Exterior Appearance	
Wheel Kit.....	Fig. 1 - 410
Exterior Protection	
Running Boards.....	Fig. 1 - 510
Fog Lights & Electrical	
Fog Lamp Kit.....	Fig. 1 - 610
Off-Road Lamp Wiring Kit.....	Fig. 1 - 620
Security	
Alarm Kit.....	Fig. 1 - 910

**Satellite Radio Antenna
Figure 1-110**

ITEM	PART NUMBER	QTY	LINE	SERIES	BODY	ENGINE	TRANS	TRIM	DESCRIPTION
1	82210788	1			74				INSTALL KIT, Satelite Receiver
2	05064253AB	1			74				MAST, Antenna
3	05064164AB	1			74				BASE, Antenna
4	05064164AB	1							CABLE, Satellite Radio, (NOT SERVICED)
5	56040837AC	1			74				CABLE, Satellite Radio



DODGE NITRO (KA)

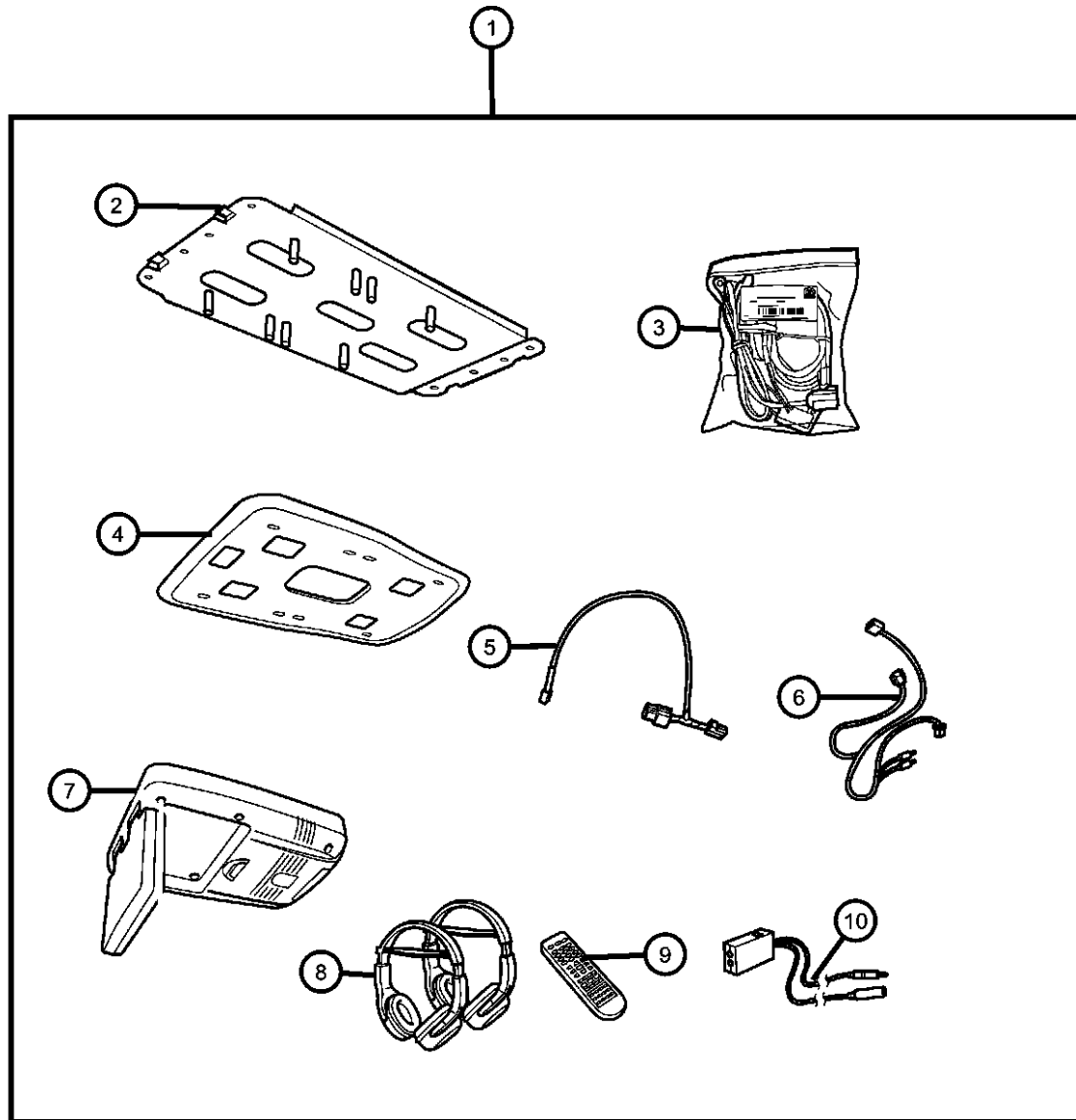
SERIES	LINE	BODY	ENGINE	TRANSMISSION
L = LOWLINE	1 = Lt. Duty DODGE 2WD	74 = SPORT UTILITY 4-DR	EKG = 3.7L V6 Engine	DEH = 6-Speed Manual NSG370
P = PREMIUM	5 = Lt. Duty DODGE 4WD	TYPE #4	ED1 = 2.4L 4 Cyl DOHC 16V	SMPI Engine
	6 = Lt. Duty DODGE 4WD		ENJ = Engine -2.5L 4 Cyl 16V	DGJ = 5-Speed Automatic MB
			Turbo Diesel	DGV = 4-Spd. Automatic VLP
			ENR = 2.8L 4 Cyl Turbo Diesel	Transmission
			Engine	

AR = use ase required - = Non illustrated part

2007 KA

**Video Entertainment System
Figure 1-120**

ITEM	PART NUMBER	QTY	LINE	SERIES	BODY	ENGINE	TRANS	TRIM	DESCRIPTION
1	82210535AB	1							MEDIA SYSTEM, Monitor with DVD
2	68002657AA	1							BRACKET, Mounting
3	68004405AA	1							HARNESS, Wiring
4	68002654AA	1							SHROUD, SHROUD
5	68002649AA	1							HARNESS, Wiring
6	05166870AA	1							HARNESS, Wiring
7	05166869AA	1							MEDIA SYSTEM, Monitor with DVD
8	05064037AA	1							HEADPHONES, Wireless
9	05166873AA	1							REMOTE, Wireless Infrared
10	05166872AA	1							MODULATOR, FM



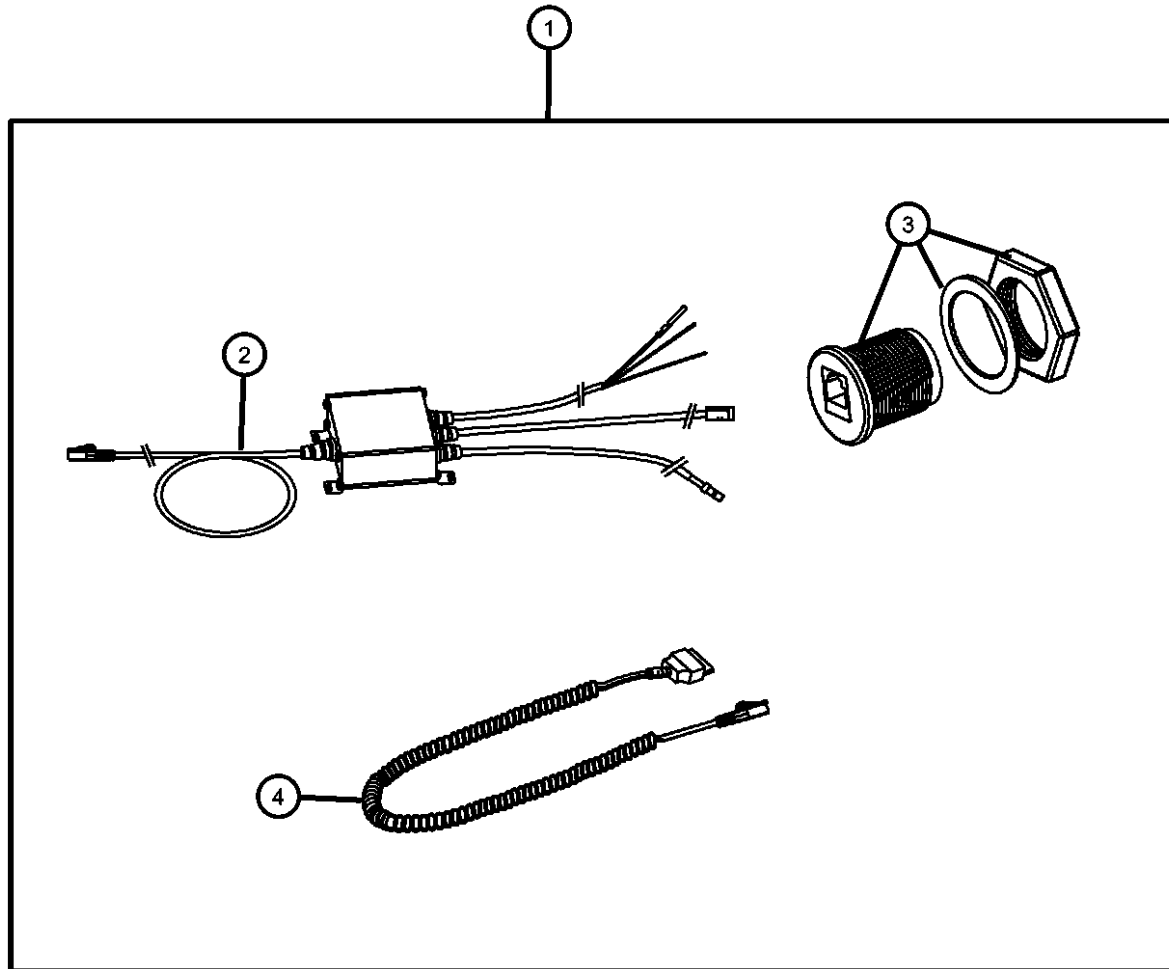
DODGE NITRO (KA)

SERIES	LINE	BODY	ENGINE	TRANSMISSION
L = LOWLINE	1 = Lt. Duty DODGE 2WD	74 = SPORT UTILITY 4-DR	EKG = 3.7L V6 Engine	DEH = 6-Speed Manual NSG370
P = PREMIUM	5 = Lt. Duty DODGE 4WD	TYPE #4	ED1 = 2.4L 4 Cyl DOHC 16V	SMPI Engine
	6 = Lt. Duty DODGE 4WD		ENJ = Engine -2.5L 4 Cyl 16V	Turbo Diesel
			ENR = 2.8L 4 Cyl Turbo Diesel	ENR = 2.8L 4 Cyl Turbo Diesel
			Engine	Transmission
				DGJ = 5-Speed Automatic MB
				DGV = 4-Spd. Automatic VLP

AR = use ase required - = Non illustrated part

**FM iPod Adapter
Figure 1-160**

ITEM	PART NUMBER	QTY	LINE	SERIES	BODY	ENGINE	TRANS	TRIM	DESCRIPTION
1	82210848	1			74				MODULE KIT, IPOD Interface
2	82210848	1							MODULE, (NOT SERVICED)
3	68024675AA	1			74				HARDWARE
4	68001396AA	1							HARNESS, Jumper



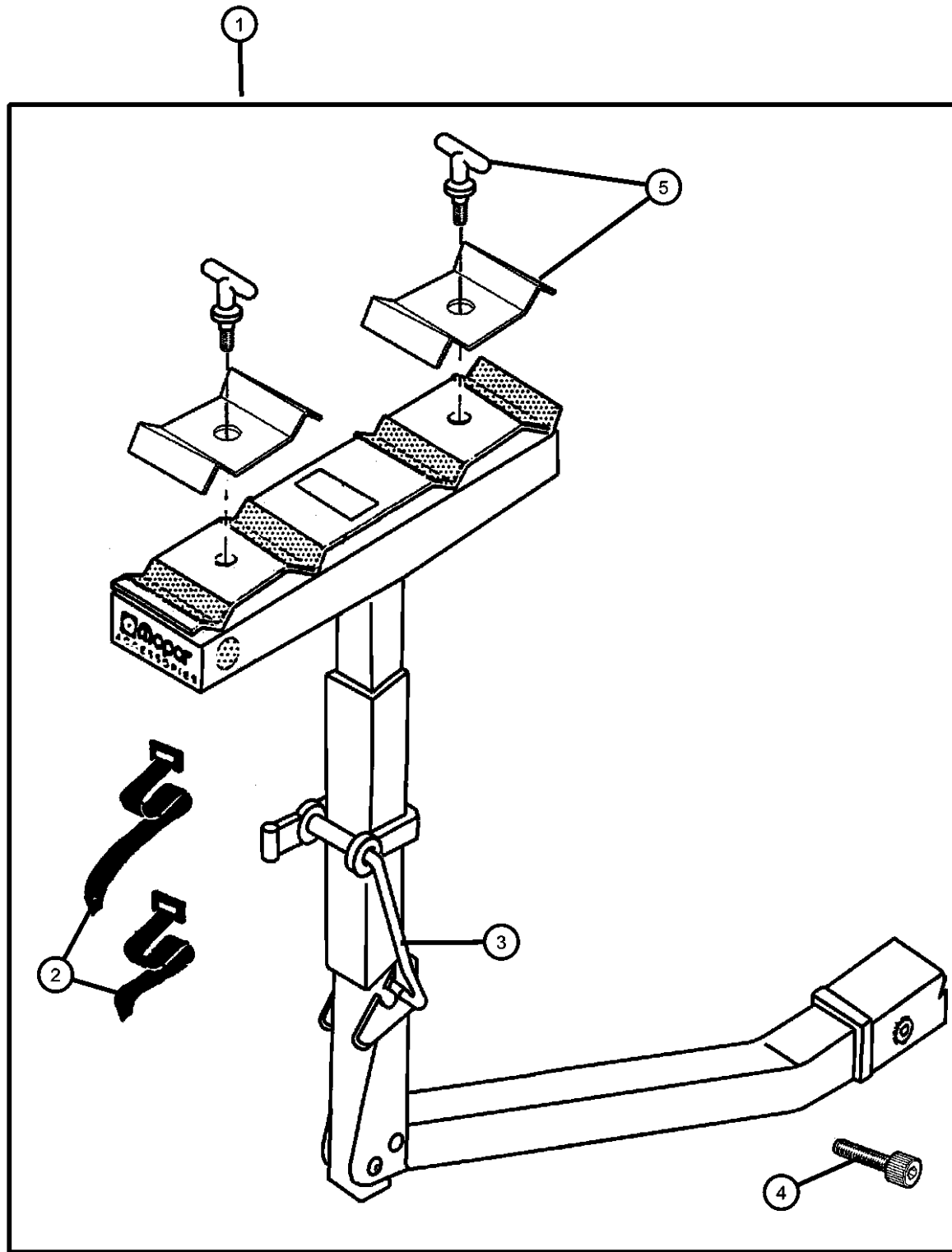
DODGE NITRO (KA)

SERIES	LINE	BODY	ENGINE	TRANSMISSION
L = LOWLINE	1 = Lt. Duty DODGE 2WD	74 = SPORT UTILITY 4-DR	EKG = 3.7L V6 Engine	DEH = 6-Speed Manual NSG370
P = PREMIUM	5 = Lt. Duty DODGE 4WD	TYPE #4	ED1 = 2.4L 4 Cyl DOHC 16V	SMPI Engine
	6 = Lt. Duty DODGE 4WD		ENJ = Engine -2.5L 4 Cyl 16V	DGJ = 5-Speed Automatic MB
			Turbo Diesel	DGV = 4-Spd. Automatic VLP
			ENR = 2.8L 4 Cyl Turbo Diesel	Transmission
			Engine	

AR = use ase required - = Non illustrated part

2007 KA

Bike Carrier-Hitch Mount Four Bikes
Figure 1-210



ITEM	PART NUMBER	QTY	LINE	SERIES	BODY	ENGINE	TRANS	TRIM	DESCRIPTION
------	-------------	-----	------	--------	------	--------	-------	------	-------------

Note; Requires 2 Inch Hitch Receiver

1	82204328	1							CARRIER KIT, Bike
2	04762880	1							STRAP KIT, Velcro
3	05016775AA	1							STRAP KIT, Bike Carrier Latch
4	05016776AA	1							BOLT KIT, Security
5	05018825AA	1							HARDWARE KIT, Bike Carrier

DODGE NITRO (KA)

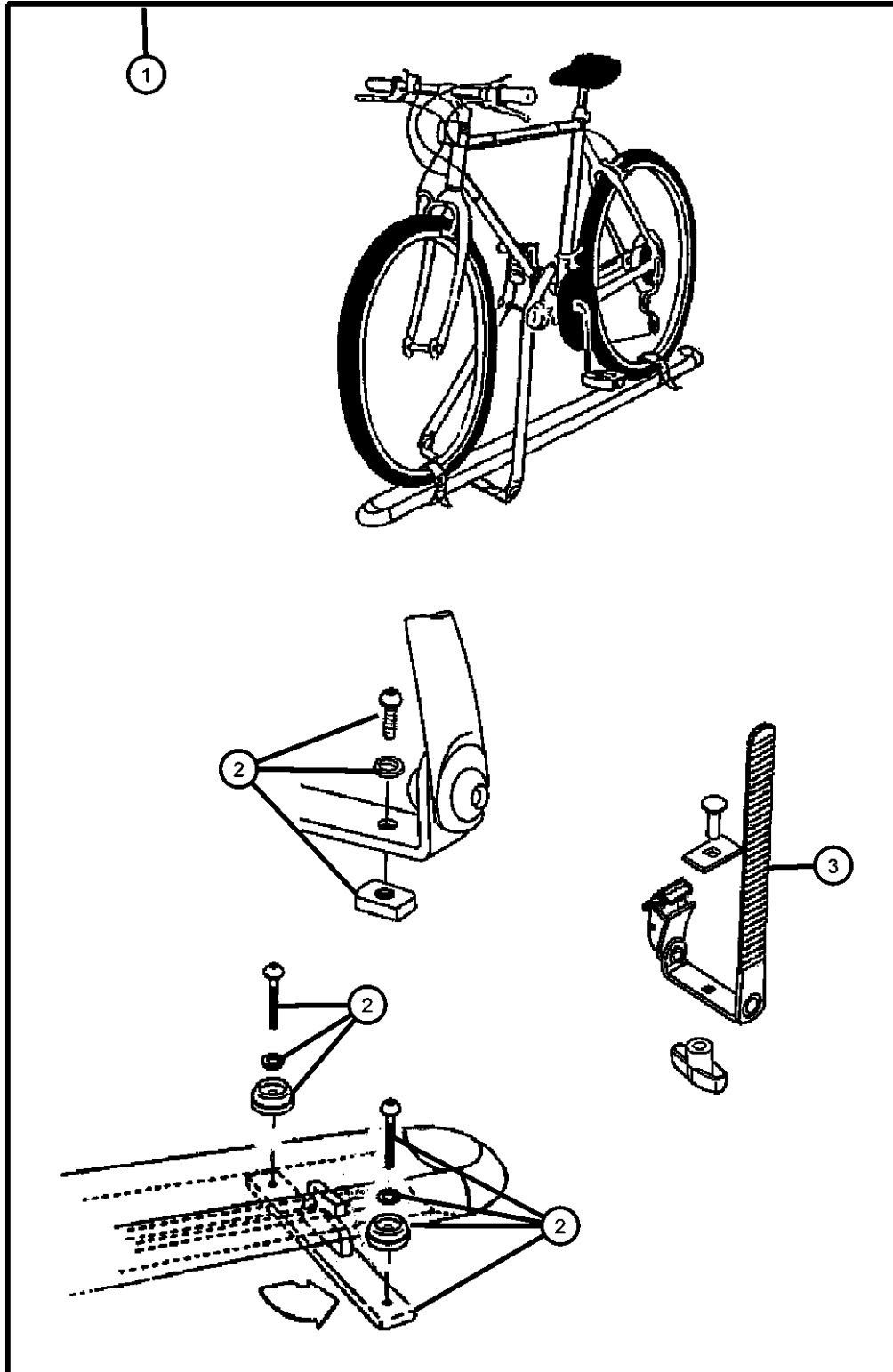
SERIES	LINE	BODY	ENGINE	TRANSMISSION
L = LOWLINE	1 = Lt. Duty DODGE 2WD	74 = SPORT UTILITY 4-DR	EKG = 3.7L V6 Engine	DEH = 6-Speed Manual NSG370
P = PREMIUM	5 = Lt. Duty DODGE 4WD	TYPE #4	ED1 = 2.4L 4 Cyl DOHC 16V	SMPI Engine
	6 = Lt. Duty DODGE 4WD		ENJ = Engine -2.5L 4 Cyl 16V	DGJ = 5-Speed Automatic MB
			Turbo Diesel	DGV = 4-Spd. Automatic VLP
			ENR = 2.8L 4 Cyl Turbo Diesel	Transmission
			Engine	

AR = use ase required - = Non illustrated part

2007 KA

Bike Carrier - Roof - Upright Mount
Figure 1-215

ITEM	PART NUMBER	QTY	LINE	SERIES	BODY	ENGINE	TRANS	TRIM	DESCRIPTION
------	-------------	-----	------	--------	------	--------	-------	------	-------------



Note; Requires Sport Utility Rack

1									CARRIER KIT, Bike, Upright - Mount With Sport Utility Bar
	82207942	1							
	82207943	1							
2	05093779AA	1							HARDWARE KIT, Accessory
3	05114532AA	1							STRAP, Cargo Tie Down

DODGE NITRO (KA)

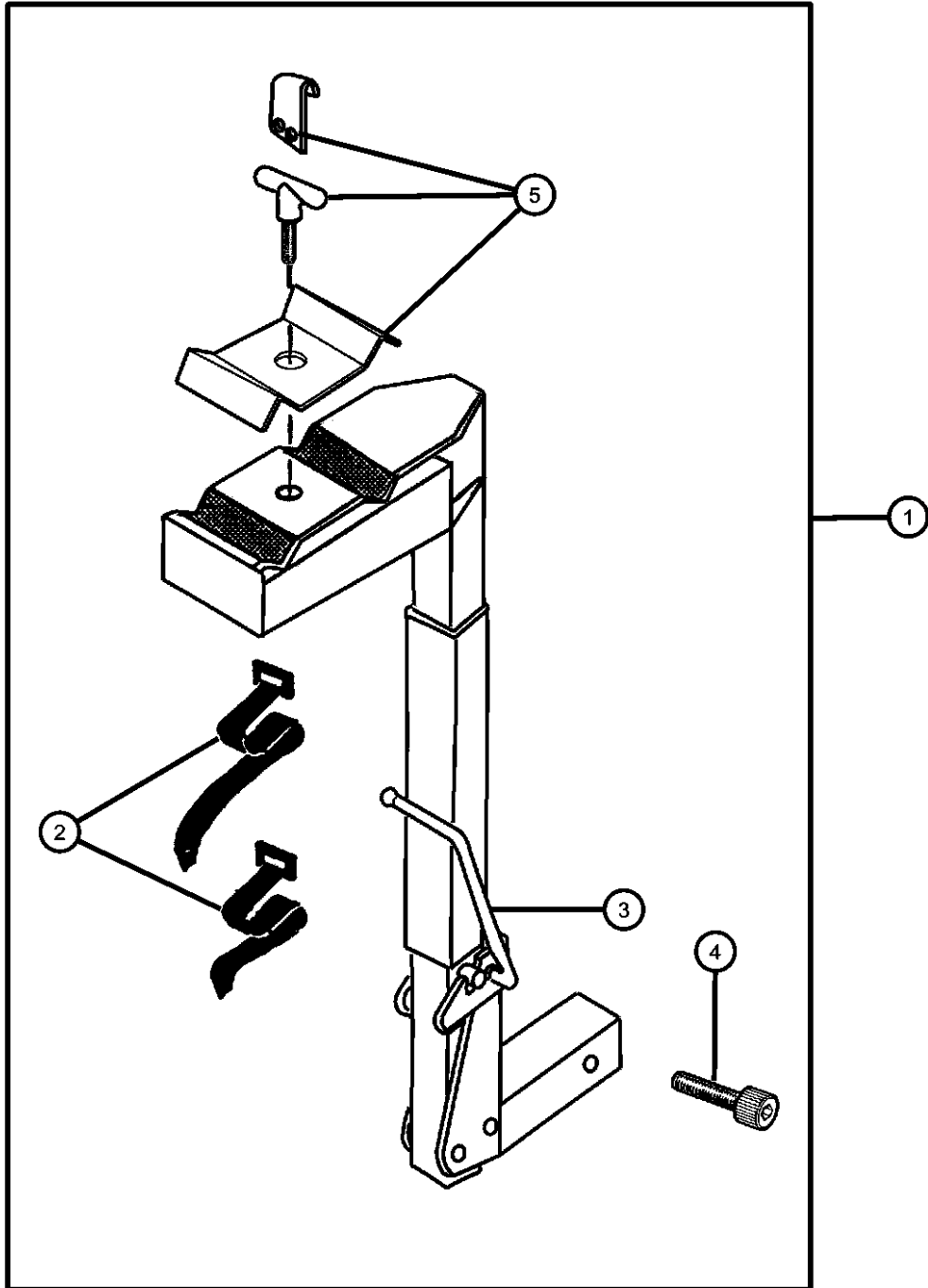
SERIES	LINE	BODY	ENGINE	TRANSMISSION
L = LOWLINE	1 = Lt. Duty DODGE 2WD	74 = SPORT UTILITY 4-DR TYPE #4	EKG = 3.7L V6 Engine	DEH = 6-Speed Manual NSG370 Transmission
P = PREMIUM	5 = Lt. Duty DODGE 4WD		ED1 = 2.4L 4 Cyl DOHC 16V SMPI Engine	DGJ = 5-Speed Automatic MB Transmission
	6 = Lt. Duty DODGE 4WD		ENJ = Engine -2.5L 4 Cyl 16V Turbo Diesel	DGV = 4-Spd. Automatic VLP Transmission
			ENR = 2.8L 4 Cyl Turbo Diesel Engine	

AR = use ase required - = Non illustrated part

2007 KA

Bike Carrier-Hitch Mount Two Bikes
Figure 1-220

ITEM	PART NUMBER	QTY	LINE	SERIES	BODY	ENGINE	TRANS	TRIM	DESCRIPTION
1	82204453	1							CARRIER KIT, Bike
2	04762880	1							STRAP KIT, Velcro
3	05016775AA	1							STRAP KIT, Bike Carrier Latch
4	05016776AA	1							BOLT KIT, Security
5	05018825AA	1							HARDWARE KIT, Bike Carrier

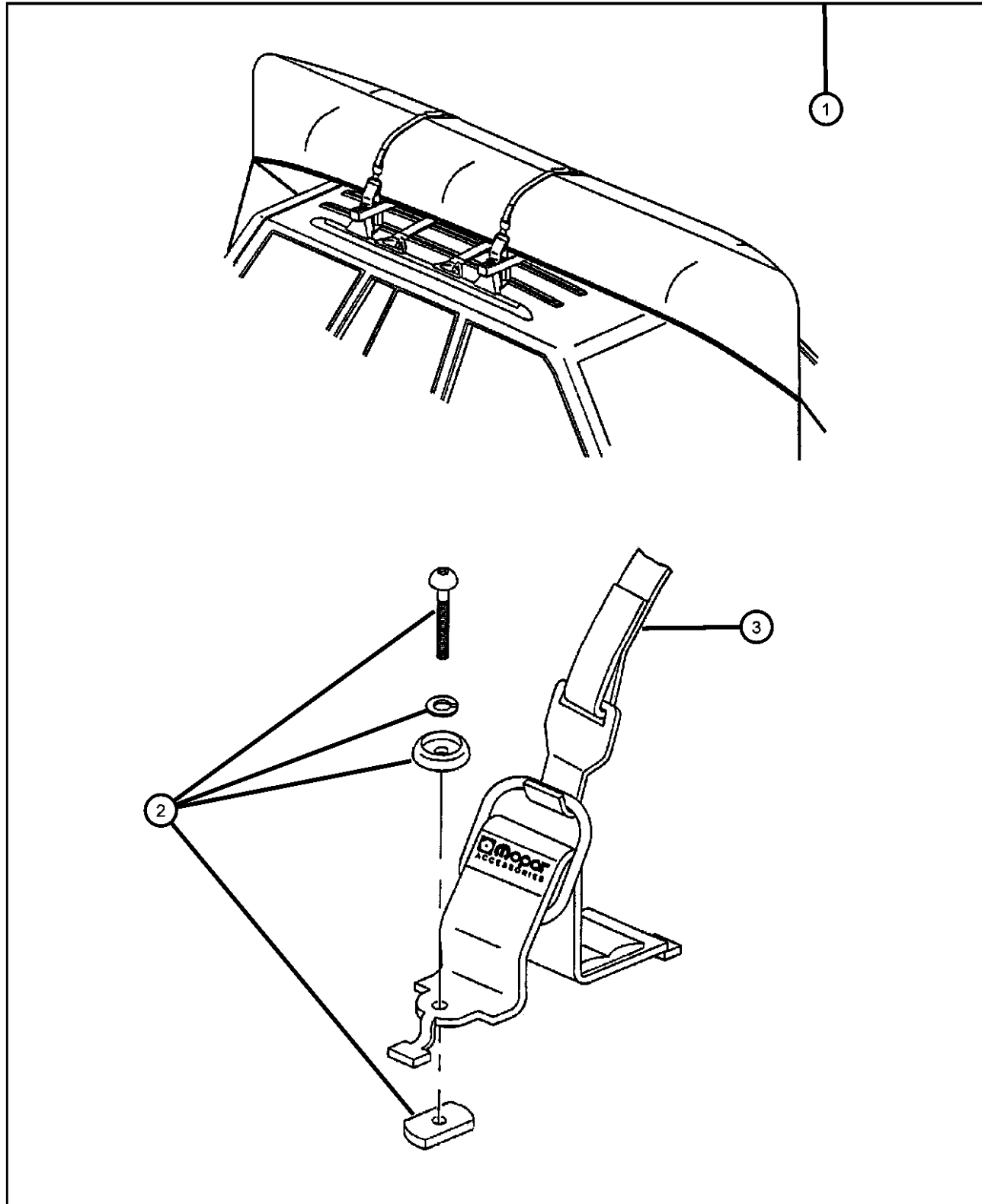


DODGE NITRO (KA)

SERIES	LINE	BODY	ENGINE	TRANSMISSION
L = LOWLINE	1 = Lt. Duty DODGE 2WD	74 = SPORT UTILITY 4-DR	EKG = 3.7L V6 Engine	DEH = 6-Speed Manual NSG370
P = PREMIUM	5 = Lt. Duty DODGE 4WD	TYPE #4	ED1 = 2.4L 4 Cyl DOHC 16V	SMPI Engine
	6 = Lt. Duty DODGE 4WD		ENJ = Engine -2.5L 4 Cyl 16V	DGJ = 5-Speed Automatic MB
			Turbo Diesel	DGV = 4-Spd. Automatic VLP
			ENR = 2.8L 4 Cyl Turbo Diesel	Engine

AR = use ase required - = Non illustrated part

Carrier Kit - Canoe
Figure 1-225



ITEM	PART NUMBER	QTY	LINE	SERIES	BODY	ENGINE	TRANS	TRIM	DESCRIPTION
------	-------------	-----	------	--------	------	--------	-------	------	-------------

Note; Requires Sport Utility Rack

1	82204700	1							CARRIER KIT, Canoe
2	05016389AA	1							HARDWARE KIT, Accessory
3	05016511AA	1							STRAP, Cargo Tie Down

DODGE NITRO (KA)

SERIES	LINE	BODY	ENGINE	TRANSMISSION
L = LOWLINE	1 = Lt. Duty DODGE 2WD	74 = SPORT UTILITY 4-DR	EKG = 3.7L V6 Engine	DEH = 6-Speed Manual NSG370
P = PREMIUM	5 = Lt. Duty DODGE 4WD	TYPE #4	ED1 = 2.4L 4 Cyl DOHC 16V	SMPI Engine
	6 = Lt. Duty DODGE 4WD		ENJ = Engine -2.5L 4 Cyl 16V	DGJ = 5-Speed Automatic MB
			Turbo Diesel	DGV = 4-Spd. Automatic VLP
			ENR = 2.8L 4 Cyl Turbo Diesel	Transmission
			Engine	

AR = use ase required - = Non illustrated part

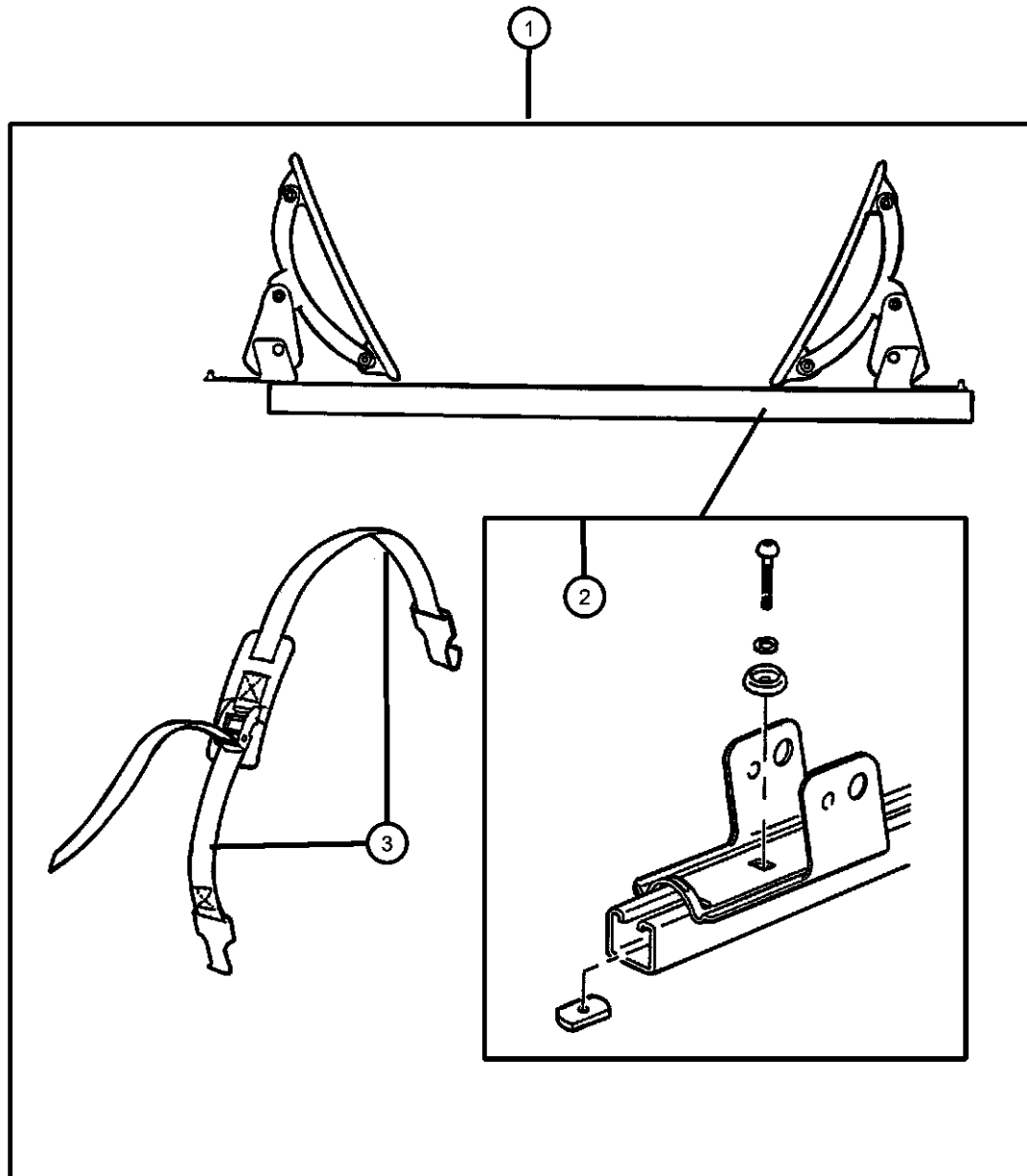
2007 KA

Carrier Kit - Water Sports
Figure 1-230

ITEM	PART NUMBER	QTY	LINE	SERIES	BODY	ENGINE	TRANS	TRIM	DESCRIPTION
------	-------------	-----	------	--------	------	--------	-------	------	-------------

Note; Requires Sport Utility Rack

1	82205416	1							CARRIER KIT, Water Sports
2	05016389AA	1							HARDWARE KIT, Accessory
3	05016511AA	1							STRAP, Cargo Tie Down



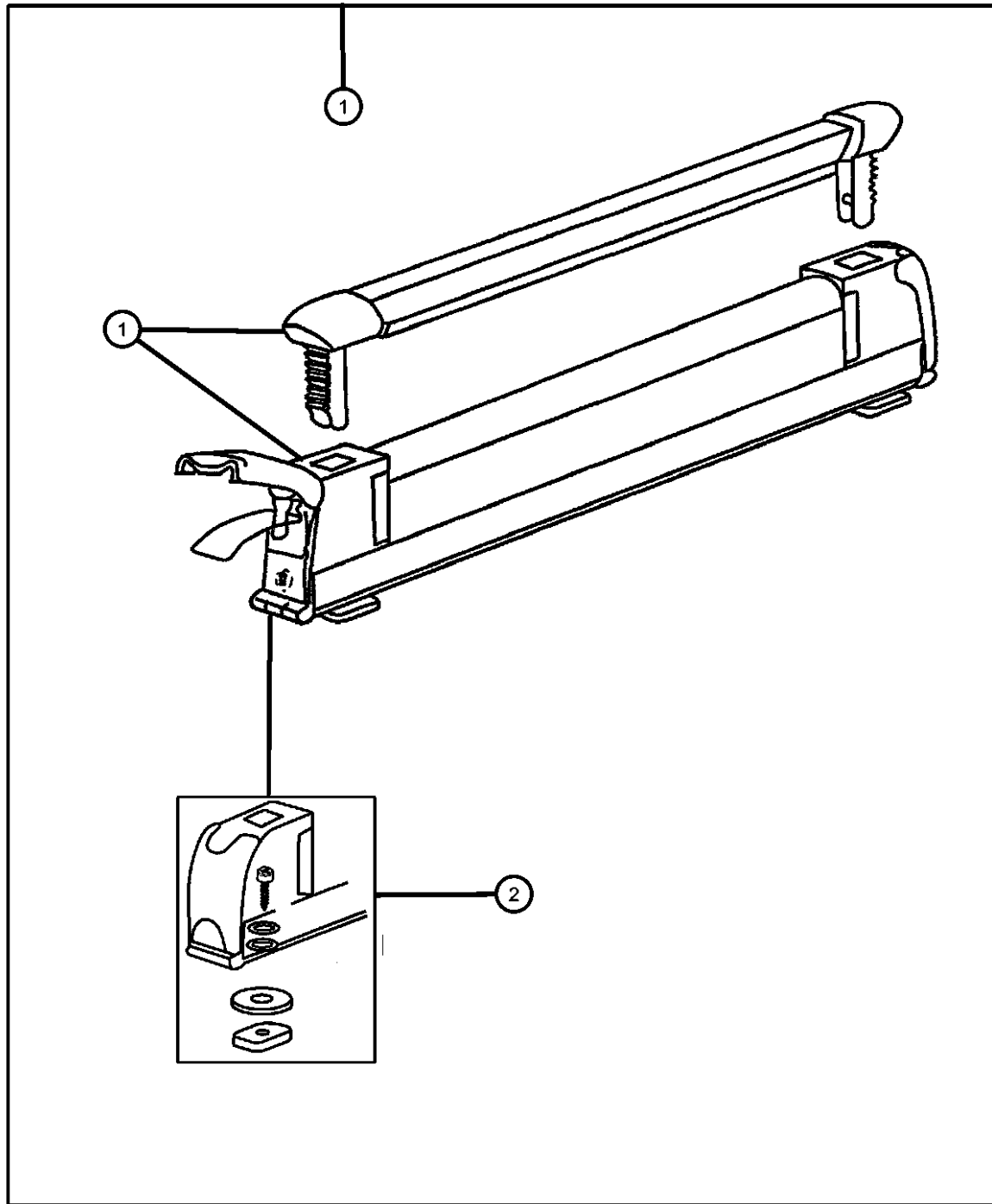
DODGE NITRO (KA)

SERIES	LINE	BODY	ENGINE	TRANSMISSION
L = LOWLINE	1 = Lt. Duty DODGE 2WD	74 = SPORT UTILITY 4-DR	EKG = 3.7L V6 Engine	DEH = 6-Speed Manual NSG370
P = PREMIUM	5 = Lt. Duty DODGE 4WD	TYPE #4	ED1 = 2.4L 4 Cyl DOHC 16V SMPI Engine	Transmission
	6 = Lt. Duty DODGE 4WD		ENJ = Engine -2.5L 4 Cyl 16V Turbo Diesel	DGJ = 5-Speed Automatic MB
			ENR = 2.8L 4 Cyl Turbo Diesel Engine	DGV = 4-Spd. Automatic VLP
				Transmission

AR = use ase required - = Non illustrated part

Ski Carrier - Roof Mount
Figure 1-240

ITEM	PART NUMBER	QTY	LINE	SERIES	BODY	ENGINE	TRANS	TRIM	DESCRIPTION
------	-------------	-----	------	--------	------	--------	-------	------	-------------



Note; Requires Sport Utility Rack

1	82207308	1							CARRIER KIT, Ski, 6 Pair or 4 Snowboards
2	05086158AA	1							HARDWARE KIT, Accessory
-3	05066632AA	1							TOOL, Screw Driver

DODGE NITRO (KA)

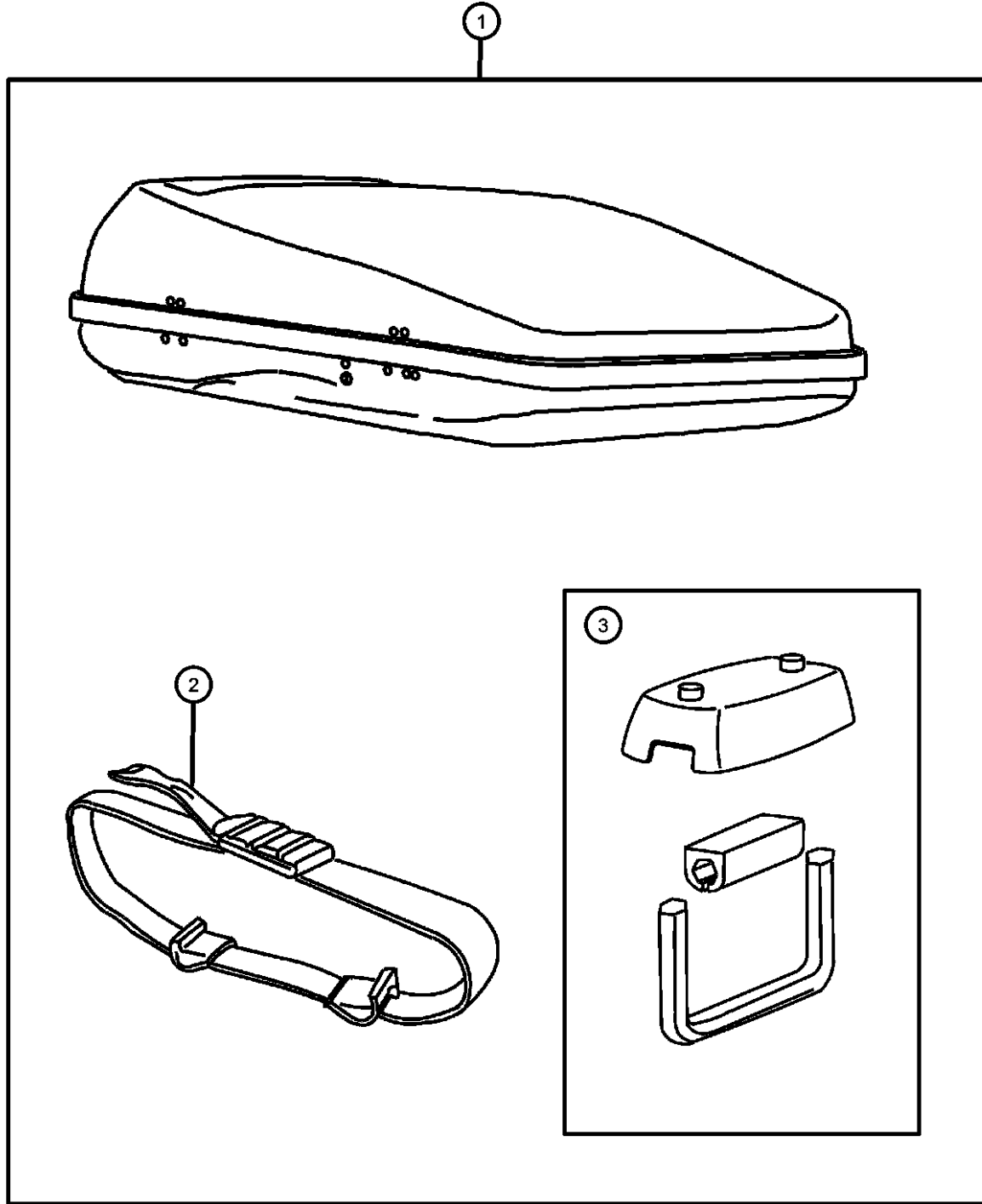
SERIES	LINE	BODY	ENGINE	TRANSMISSION
L = LOWLINE	1 = Lt. Duty DODGE 2WD	74 = SPORT UTILITY 4-DR TYPE #4	EKG = 3.7L V6 Engine	DEH = 6-Speed Manual NSG370 Transmission
P = PREMIUM	5 = Lt. Duty DODGE 4WD		ED1 = 2.4L 4 Cyl DOHC 16V SMPI Engine	DGJ = 5-Speed Automatic MB Transmission
	6 = Lt. Duty DODGE 4WD		ENJ = Engine -2.5L 4 Cyl 16V Turbo Diesel	DGV = 4-Spd. Automatic VLP Transmission
			ENR = 2.8L 4 Cyl Turbo Diesel Engine	

AR = use ase required - = Non illustrated part

2007 KA

Luggage Carrier - Roof - Hard Style
Figure 1-245

ITEM	PART NUMBER	QTY	LINE	SERIES	BODY	ENGINE	TRANS	TRIM	DESCRIPTION
------	-------------	-----	------	--------	------	--------	-------	------	-------------



Note; Requires Sport Utility Rack

1	82207341AB	1							CARRIER KIT, Luggage Requires Sport Utility Bar
	82207353AB	1							
2	05086160AA	1							STRAP, Cargo Tie Down
3	05086159AA	1							HARDWARE KIT

DODGE NITRO (KA)

SERIES	LINE	BODY	ENGINE	TRANSMISSION
L = LOWLINE	1 = Lt. Duty DODGE 2WD	74 = SPORT UTILITY 4-DR	EKG = 3.7L V6 Engine	DEH = 6-Speed Manual NSG370
P = PREMIUM	5 = Lt. Duty DODGE 4WD	TYPE #4	ED1 = 2.4L 4 Cyl DOHC 16V SMPI Engine	Transmission DGJ = 5-Speed Automatic MB
	6 = Lt. Duty DODGE 4WD		ENJ = Engine -2.5L 4 Cyl 16V Turbo Diesel	Transmission DGV = 4-Spd. Automatic VLP
			ENR = 2.8L 4 Cyl Turbo Diesel Engine	Transmission

AR = use ase required - = Non illustrated part

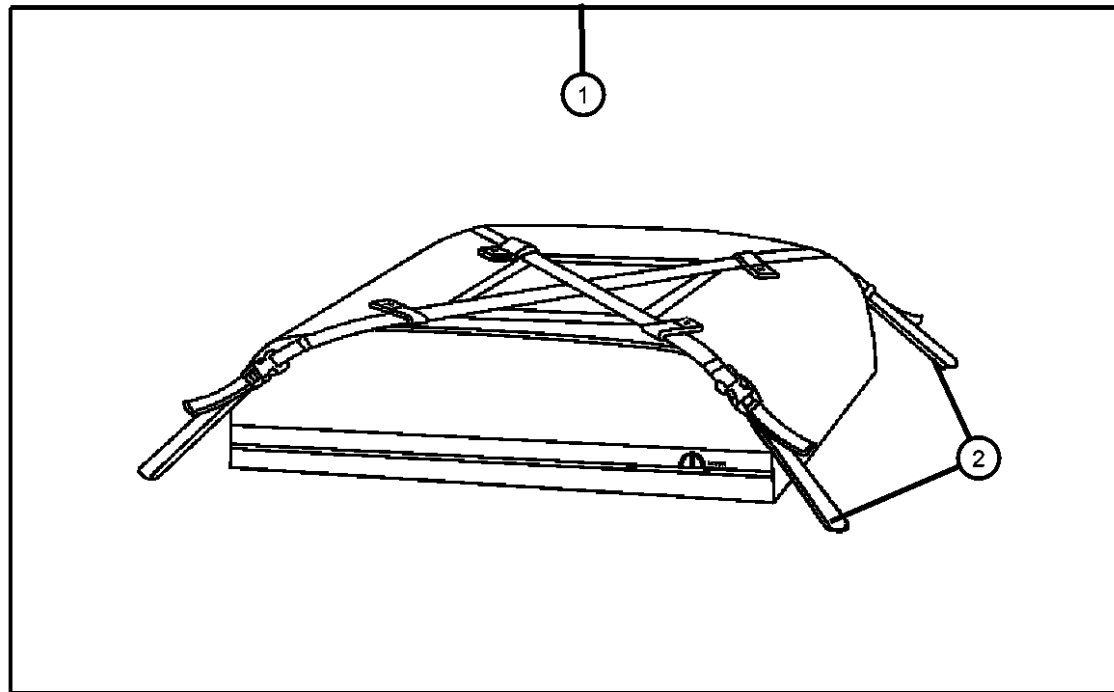
2007 KA

Luggage Carrier - Roof - Vinyl
Figure 1-250

ITEM	PART NUMBER	QTY	LINE	SERIES	BODY	ENGINE	TRANS	TRIM	DESCRIPTION
------	-------------	-----	------	--------	------	--------	-------	------	-------------

Note; Sport Utility or Production Rack Required

1	82207198	1							CARRIER KIT, Luggage
2	05066332AA	1							STRAP KIT, Luggage Carrier



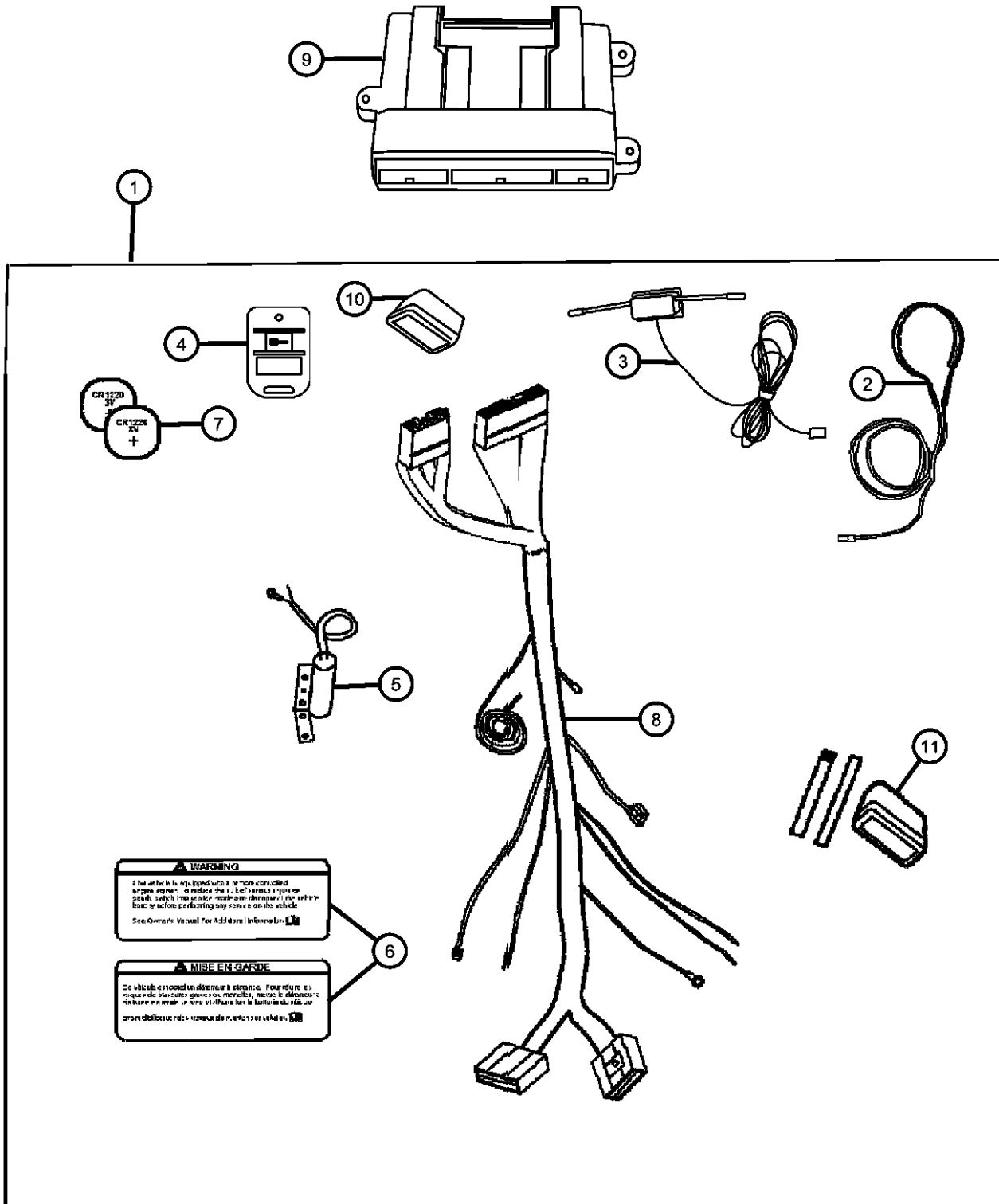
DODGE NITRO (KA)

SERIES	LINE	BODY	ENGINE	TRANSMISSION
L = LOWLINE	1 = Lt. Duty DODGE 2WD	74 = SPORT UTILITY 4-DR	EKG = 3.7L V6 Engine	DEH = 6-Speed Manual NSG370
P = PREMIUM	5 = Lt. Duty DODGE 4WD	TYPE #4	ED1 = 2.4L 4 Cyl DOHC 16V SMPI Engine	Transmission
	6 = Lt. Duty DODGE 4WD		ENJ = Engine -2.5L 4 Cyl 16V Turbo Diesel	DGJ = 5-Speed Automatic MB
			ENR = 2.8L 4 Cyl Turbo Diesel Engine	DGV = 4-Spd. Automatic VLP
				Transmission

AR = use ase required - = Non illustrated part

Remote Start
Figure 1-310

ITEM	PART NUMBER	QTY	LINE	SERIES	BODY	ENGINE	TRANS	TRIM	DESCRIPTION
NOTE: Module (Item #9) not included in install kit, need to order separately.									
1	82209984AG	1							INSTALL KIT, REMOTE START
2	05140470AA	1							ANTENNA
3	05140471AA	1							ANTENNA
4	05140472AA	1							TRANSMITTER
5	68001331AA	1							SWITCH
6	05140474AA	1							LABEL
7	05140773AA	1							BATTERY, Transmitter, Contains: 12 Replacement Batteries
8	68021199AA	1							HARNESS, Wiring
9	82208859AB	1	1, 5		74				MODULE KIT, REMOTE START
10	68021198AA	1							MODULE, Remote Start
11	05140468AA	1							MODULE



DODGE NITRO (KA)

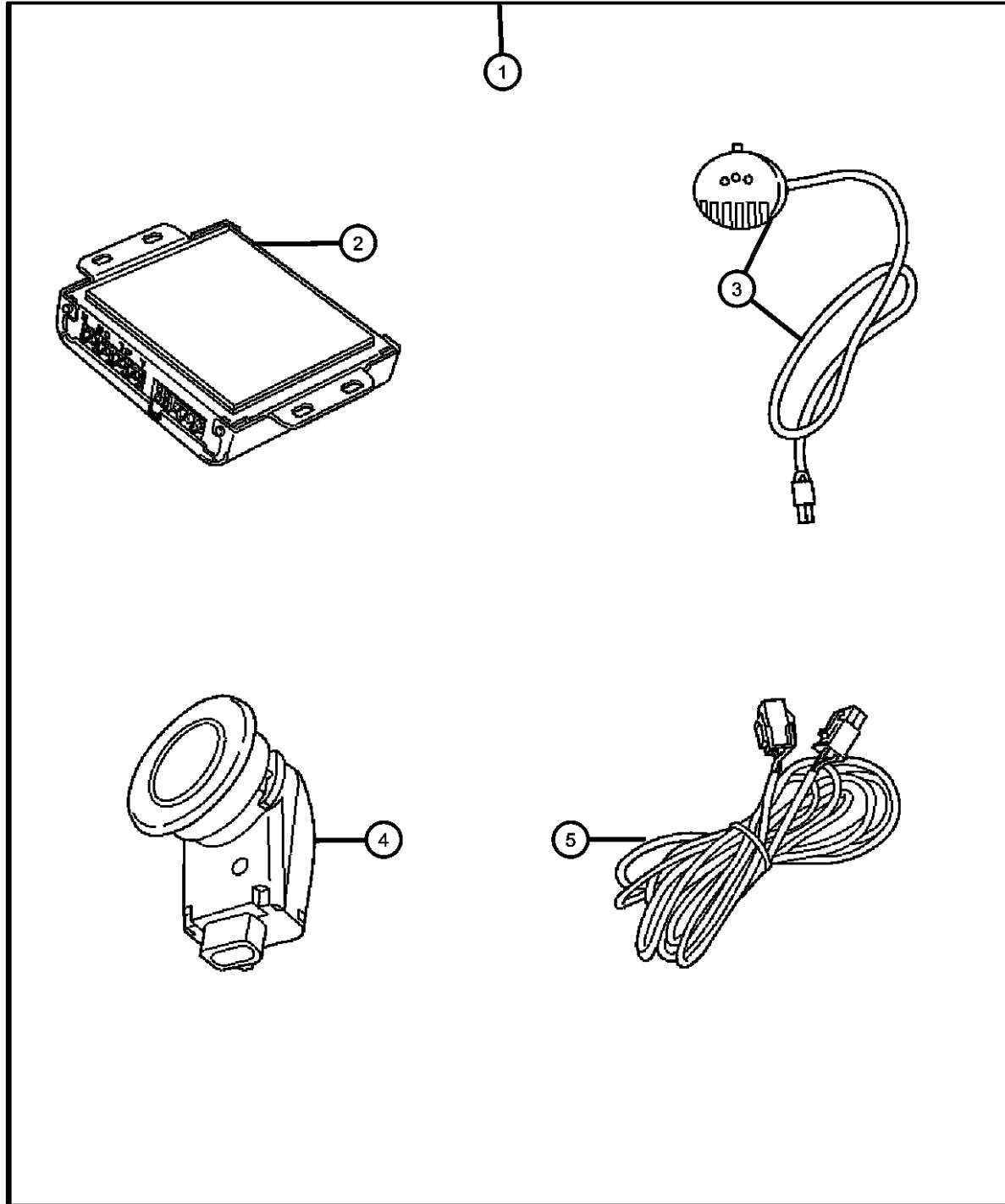
SERIES	LINE	BODY	ENGINE	TRANSMISSION
L = LOWLINE	1 = Lt. Duty DODGE 2WD	74 = SPORT UTILITY 4-DR	EKG = 3.7L V6 Engine	DEH = 6-Speed Manual NSG370
P = PREMIUM	5 = Lt. Duty DODGE 4WD	TYPE #4	ED1 = 2.4L 4 Cyl DOHC 16V	SMPI Engine
	6 = Lt. Duty DODGE 4WD		ENJ = Engine -2.5L 4 Cyl 16V	Turbo Diesel
			ENR = 2.8L 4 Cyl Turbo Diesel	Engine

AR = use ase required - = Non illustrated part

2007 KA

Sensor Package Park/Distance
Figure 1-320

ITEM	PART NUMBER	QTY	LINE	SERIES	BODY	ENGINE	TRANS	TRIM	DESCRIPTION
1	82208246AD	1							SENSOR KIT, Park Distance
2	05137541AA	1							MODULE, Parking Assist
3	05137539AA	1							DISPLAY, Parking Assist
4	05137536AA	1							SENSOR
5	05137540AA	1							WIRING, Distance Sensor



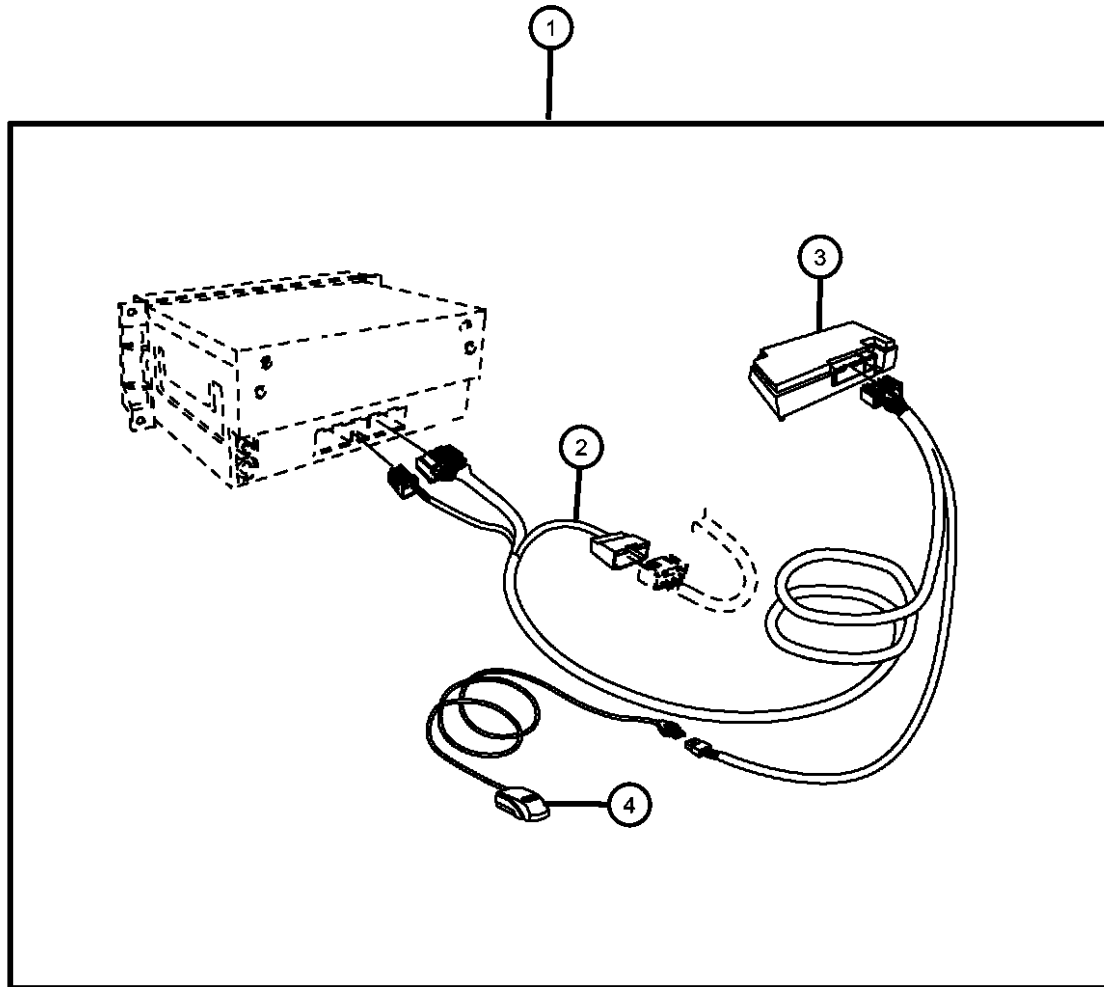
DODGE NITRO (KA)

SERIES	LINE	BODY	ENGINE	TRANSMISSION
L = LOWLINE	1 = Lt. Duty DODGE 2WD	74 = SPORT UTILITY 4-DR	EKG = 3.7L V6 Engine	DEH = 6-Speed Manual NSG370
P = PREMIUM	5 = Lt. Duty DODGE 4WD	TYPE #4	ED1 = 2.4L 4 Cyl DOHC 16V	SMPI Engine
	6 = Lt. Duty DODGE 4WD		ENJ = Engine -2.5L 4 Cyl 16V	DGJ = 5-Speed Automatic MB
			Turbo Diesel	DGV = 4-Spd. Automatic VLP
			ENR = 2.8L 4 Cyl Turbo Diesel	Transmission
			Engine	

AR = use ase required - = Non illustrated part

**Hands Free Kit Cellular Phone/Blue Tooth
Figure 1-330**

ITEM	PART NUMBER	QTY	LINE	SERIES	BODY	ENGINE	TRANS	TRIM	DESCRIPTION
1	82210083	1							HANDS FREE KIT, Cellular Phone
2	68002648AA	1							HARNESS
3	68002648AA	1							MODULE, (NOT SERVICED)
4	68002646AA	1							MICROPHONE, Audio



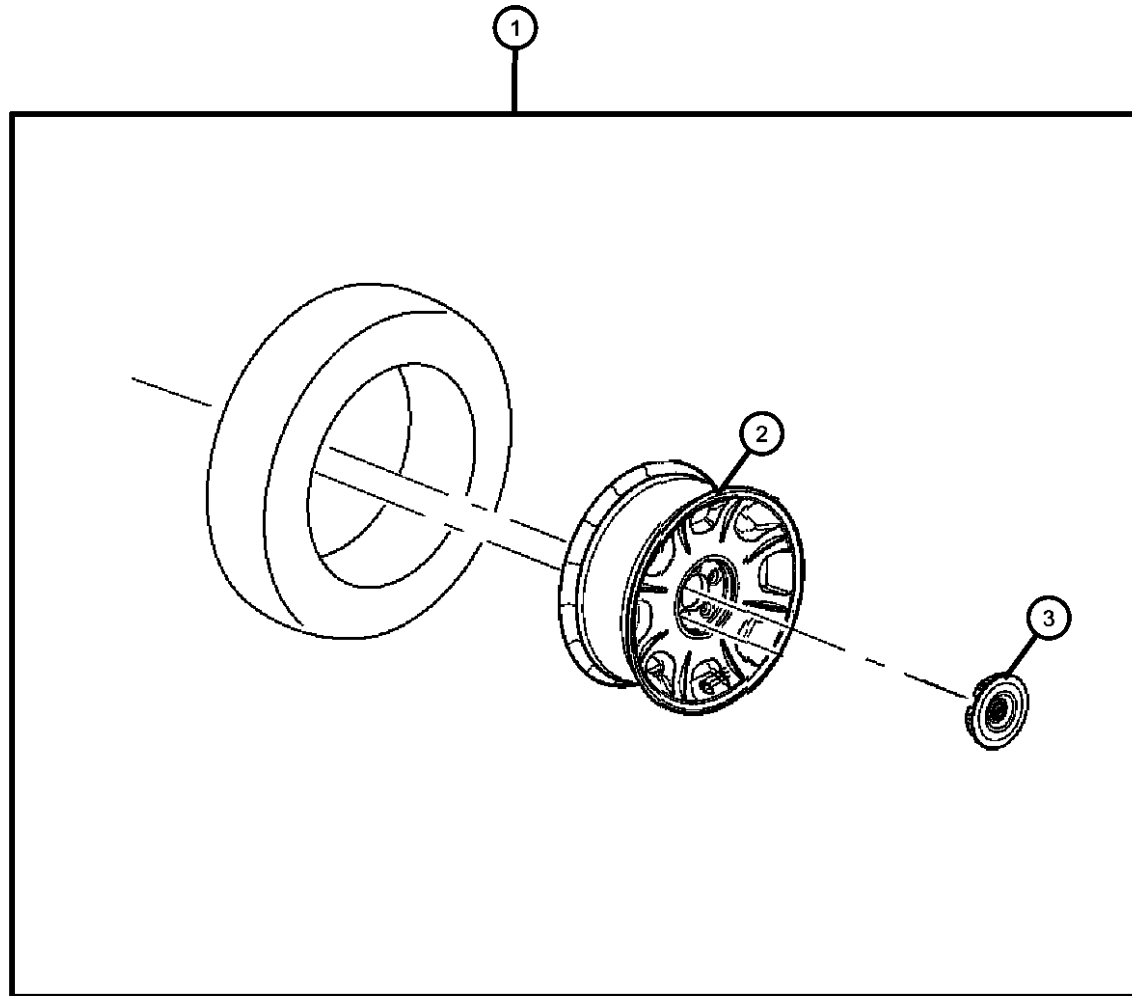
DODGE NITRO (KA)

SERIES	LINE	BODY	ENGINE	TRANSMISSION
L = LOWLINE	1 = Lt. Duty DODGE 2WD	74 = SPORT UTILITY 4-DR	EKG = 3.7L V6 Engine	DEH = 6-Speed Manual NSG370
P = PREMIUM	5 = Lt. Duty DODGE 4WD	TYPE #4	ED1 = 2.4L 4 Cyl DOHC 16V SMPI Engine	Transmission
	6 = Lt. Duty DODGE 4WD		ENJ = Engine -2.5L 4 Cyl 16V Turbo Diesel	DGJ = 5-Speed Automatic MB
			ENR = 2.8L 4 Cyl Turbo Diesel Engine	DGV = 4-Spd. Automatic VLP
				Transmission

AR = use ase required - = Non illustrated part

**Wheel Kit
Figure 1-410**

ITEM	PART NUMBER	QTY	LINE	SERIES	BODY	ENGINE	TRANS	TRIM	DESCRIPTION
1	82210176	1							WHEEL KIT, Cast Aluminum
2	1BK47SZ0AB	4	1, 5, 6		74				WHEEL, Aluminum
3	04895900AA	1							CAP, Wheel Center



DODGE NITRO (KA)

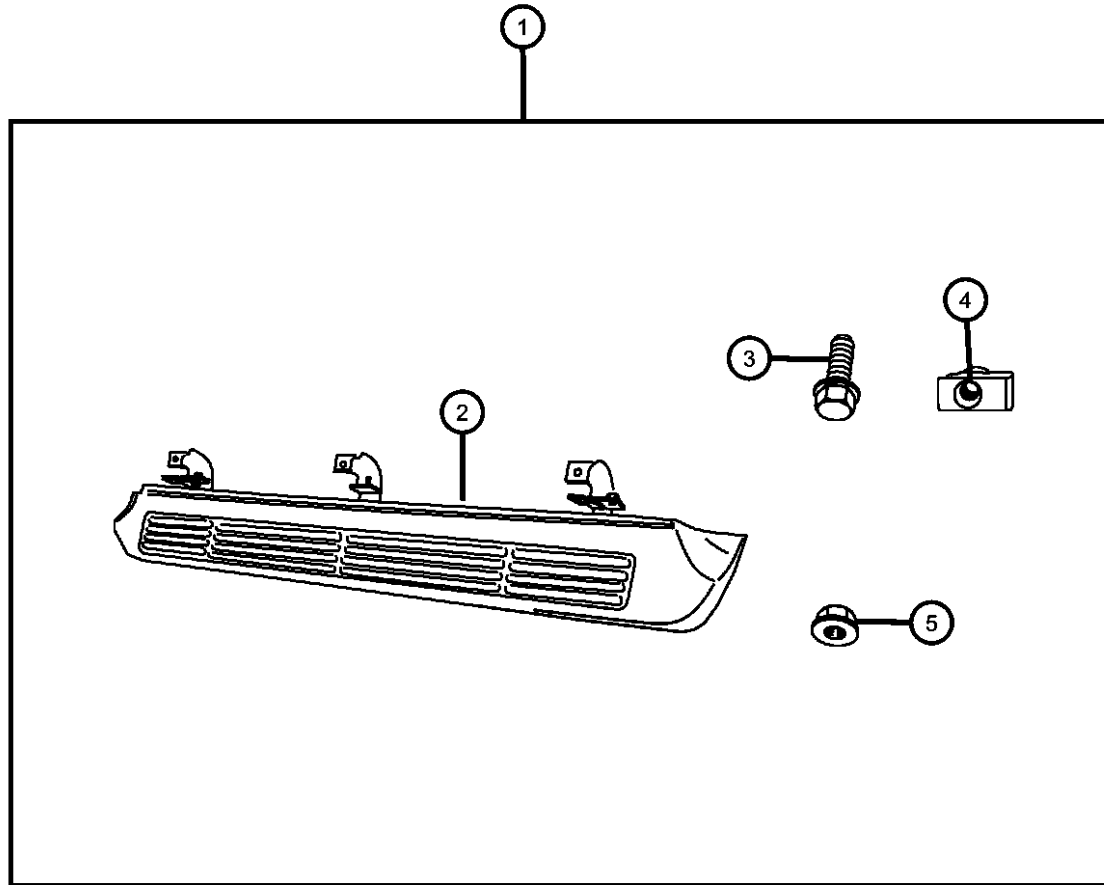
SERIES	LINE	BODY	ENGINE	TRANSMISSION
L = LOWLINE	1 = Lt. Duty DODGE 2WD	74 = SPORT UTILITY 4-DR	EKG = 3.7L V6 Engine	DEH = 6-Speed Manual NSG370
P = PREMIUM	5 = Lt. Duty DODGE 4WD	TYPE #4	ED1 = 2.4L 4 Cyl DOHC 16V	SMPI Engine
	6 = Lt. Duty DODGE 4WD		ENJ = Engine -2.5L 4 Cyl 16V	DGJ = 5-Speed Automatic MB
			Turbo Diesel	DGV = 4-Spd. Automatic VLP
			ENR = 2.8L 4 Cyl Turbo Diesel	Transmission
			Engine	

AR = use ase required - = Non illustrated part

2007 KA

Running Boards
Figure 1-510

ITEM	PART NUMBER	QTY	LINE	SERIES	BODY	ENGINE	TRANS	TRIM	DESCRIPTION
1	82210591	1			74				RUNNING BOARD KIT, Full
2	1CH61RXFAB	2	1, 5, 6		74				RUNNING BOARD, Board
3	06104386AA	10	1, 5, 6		74				BOLT
4	06101833	6	1, 5, 6		74				U-NUT, M8x1.25
5	06104709AA	2	1, 5, 6		74				NUT



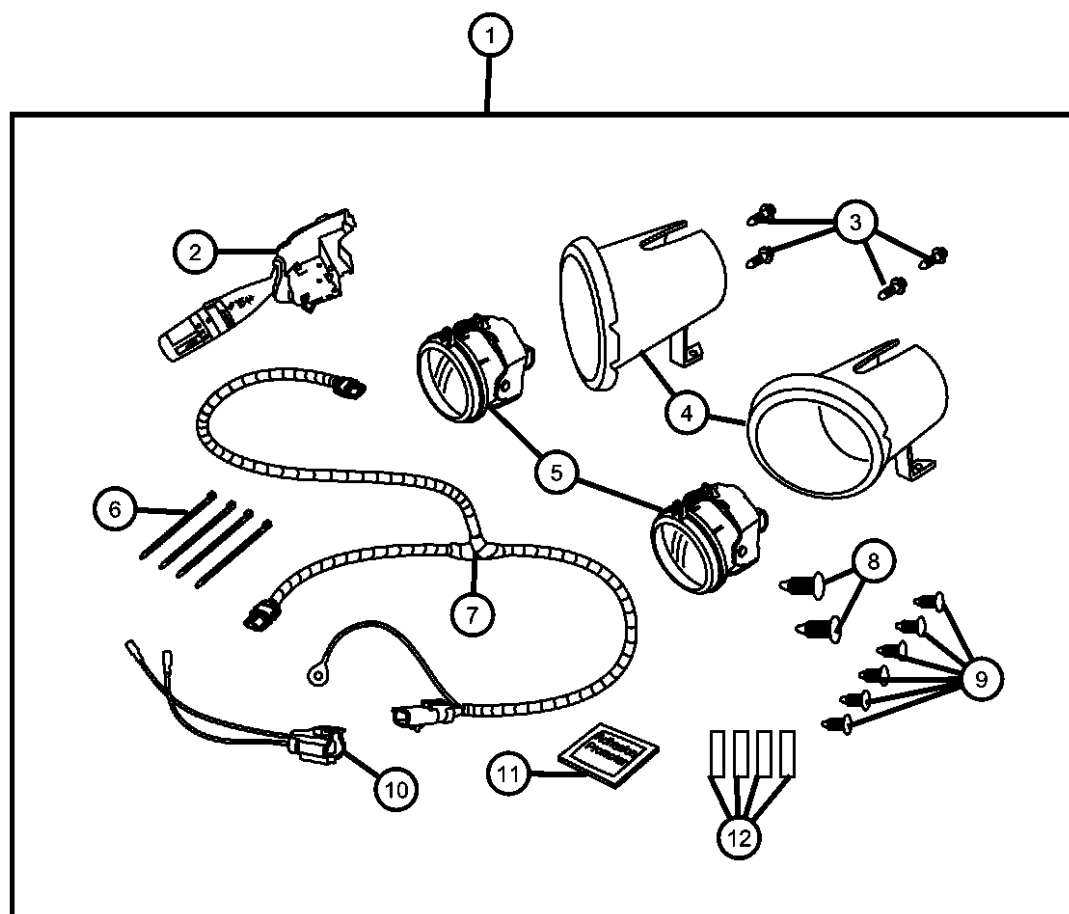
DODGE NITRO (KA)

SERIES	LINE	BODY	ENGINE	TRANSMISSION
L = LOWLINE	1 = Lt. Duty DODGE 2WD	74 = SPORT UTILITY 4-DR	EKG = 3.7L V6 Engine	DEH = 6-Speed Manual NSG370
P = PREMIUM	5 = Lt. Duty DODGE 4WD	TYPE #4	ED1 = 2.4L 4 Cyl DOHC 16V SMPI Engine	Transmission DGJ = 5-Speed Automatic MB
	6 = Lt. Duty DODGE 4WD		ENJ = Engine -2.5L 4 Cyl 16V Turbo Diesel	Transmission DGV = 4-Spd. Automatic VLP
			ENR = 2.8L 4 Cyl Turbo Diesel Engine	Transmission

AR = use ase required - = Non illustrated part

Fog Lamp Kit
Figure 1-610

ITEM	PART NUMBER	QTY	LINE	SERIES	BODY	ENGINE	TRANS	TRIM	DESCRIPTION
1	82210663	1							LIGHT KIT, Fog
2	05183947AA	1							SWITCH, Multifunction
3	06506579AA	4	1, 5, 6		74				SCREW, Tapping
4	68003364AA	1							BEZEL, Fog Lamp Right Hand
	68003365AA	1							Left Hand
5	04805857AA	1							LAMP, Front Fog
6	06015756	1							STRAP, Tie, Quantity of 4
7	05166846AA	1							HARNES, Overlay
8	06030441	2	1, 5, 6		74				PIN, Retainer
9	04658673	1							PIN PUSH, .150x.410, Quantity of 6
10	04658673	1							HARNES, Overlay, (NOT SERVICED)
11	04658673	1							ADHESIVE, (NOT SERVICED)
12	04658673	1							TAPE, (NOT SERVICED)



DODGE NITRO (KA)

SERIES	LINE	BODY	ENGINE	TRANSMISSION
L = LOWLINE	1 = Lt. Duty DODGE 2WD	74 = SPORT UTILITY 4-DR	EKG = 3.7L V6 Engine	DEH = 6-Speed Manual NSG370
P = PREMIUM	5 = Lt. Duty DODGE 4WD	TYPE #4	ED1 = 2.4L 4 Cyl DOHC 16V	SMPI Engine
	6 = Lt. Duty DODGE 4WD		ENJ = Engine -2.5L 4 Cyl 16V	DGJ = 5-Speed Automatic MB
			Turbo Diesel	DGV = 4-Spd. Automatic VLP
			ENR = 2.8L 4 Cyl Turbo Diesel	Transmission
			Engine	

AR = use ase required - = Non illustrated part

2007 KA