

VIN PLATE DECODING INFORMATION

1	2	3	4	5	6	7	8	9	10	11	12 thru 17
Country	Make	Vehicle Type	Other	Line	Series	Body Style	Engine	Check Digit	Model Year	Assy. Plant	Sequence No.

The following table interprets the VIN Plate position shown above.

Position	Interpretation	Codes = Description
1	Country of Origin	1 = Manufactured By Chrysler LLC
2	Assembler	D = Dodge
3	Vehicle Type	4 = Multipurpose Passenger Vehicle Less Side Curtain Air Bags 8 = Multipurpose Passenger Vehicle With Side Curtain Air Bags
4	GVWR & Pass. Safety	D = 0001-3000# (0 - 1360 KG) GVWR & Hyd. Brakes E = 3001-4000# (1361 - 1814 KG) GVWR & Hyd Brakes F = 4001-5000# (1815 - 2267 KG) GVWR & Hyd. Brakes G = 5001-6000# (2268 - 2721 KG) GVWR & Hyd. Brakes H = 6001-7000# (2722 - 3175 KG) GVWR & Hyd. Brakes J = 7001-8000# (3176 - 3628 KG) GVWR & Hyd. Brakes K = 8001-9000# (3629 - 4082 KG) GVWR & Hyd. Brakes L = 9001-10000# (4083 - 4535 KG) GVWR & Hyd. Brakes M = 10001-14000# (4536 - 6350 KG) GVWR & Hyd. Brakes
5	Vehicle Line	B = Durango (4x4) D = Durango (4x2)
6	Series	4 = Durango Adventurer (U.S., Canada) 5 = Durango Limited (U.S., Canada, Mexico BUX) 4 = Durango SLT (U.S., Canada, Mexico, BUX) 3 = Durango SXT (U.S., Mexico)
7	Body Style	8 = Sport Utility 4 Door
8	Engine	T = 5.7L 8 CYL Gasoline Non Turbo (EZD) P = 4.7L 8 CYL Gasoline Non Turbo (EVE) K = 3.7L 6 CYL Gasoline Non Turbo (EKG)
9	Check Digit	0 = Check Digit
10	Model Year	9 = 2009 Model Year
11	Assembly Plant	F = Newark Assembly
12 thru 17	Vehicle Build Sequence	Model Year Assembly Sequence

Group - 1

MoPar Accessories

Group - 1 MoPar Accessories

Illustration Title

Group-Fig. No.

Audio & Electronics

Media System	Fig. 1 - 110
Camera - Back Up	Fig. 1 - 118
iPod	Fig. 1 - 122

Carriers & Cargo Hauling

Carrier Kit -Bike Hitch Mount	Fig. 1 - 204
Carrier Kit - Water Sports	Fig. 1 - 210
Carrier Kit - Canoe	Fig. 1 - 212
Carrier Kit -Bike-Fork Mount.....	Fig. 1 - 214
Carrier - Kit - Bike-Upright Mount	Fig. 1 - 216
Carrier Kit - Ski	Fig. 1 - 220
Rack Kit - Multipurpose	Fig. 1 - 230
Wiring Package-Trailer Tow-4 Way	Fig. 1 - 242
Wiring Package-Trailer Tow-7 Way	Fig. 1 - 243
Carrier Kit - Luggage -Soft.....	Fig. 1 - 252
Wiring Kit - Off Road	Fig. 1 - 264

Driving Convenience

Hands Free Kit - Cellular Phone-Blue Tooth-Low Speed.....	Fig. 1 - 312
Sensor Package-Park/Distance.....	Fig. 1 - 320

Exterior Appearance

Mirror Kit - Remote	Fig. 1 - 434
Board Kit - Running-Power	Fig. 1 - 438
Step Kit - Side	Fig. 1 - 440
Wheel Kit.....	Fig. 1 - 448

Exterior Protection

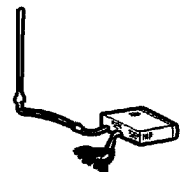
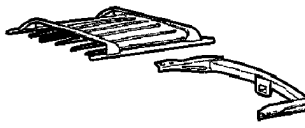

Molding Kit.....	Fig. 1 - 506
------------------	--------------

Fog Lights & Electrical

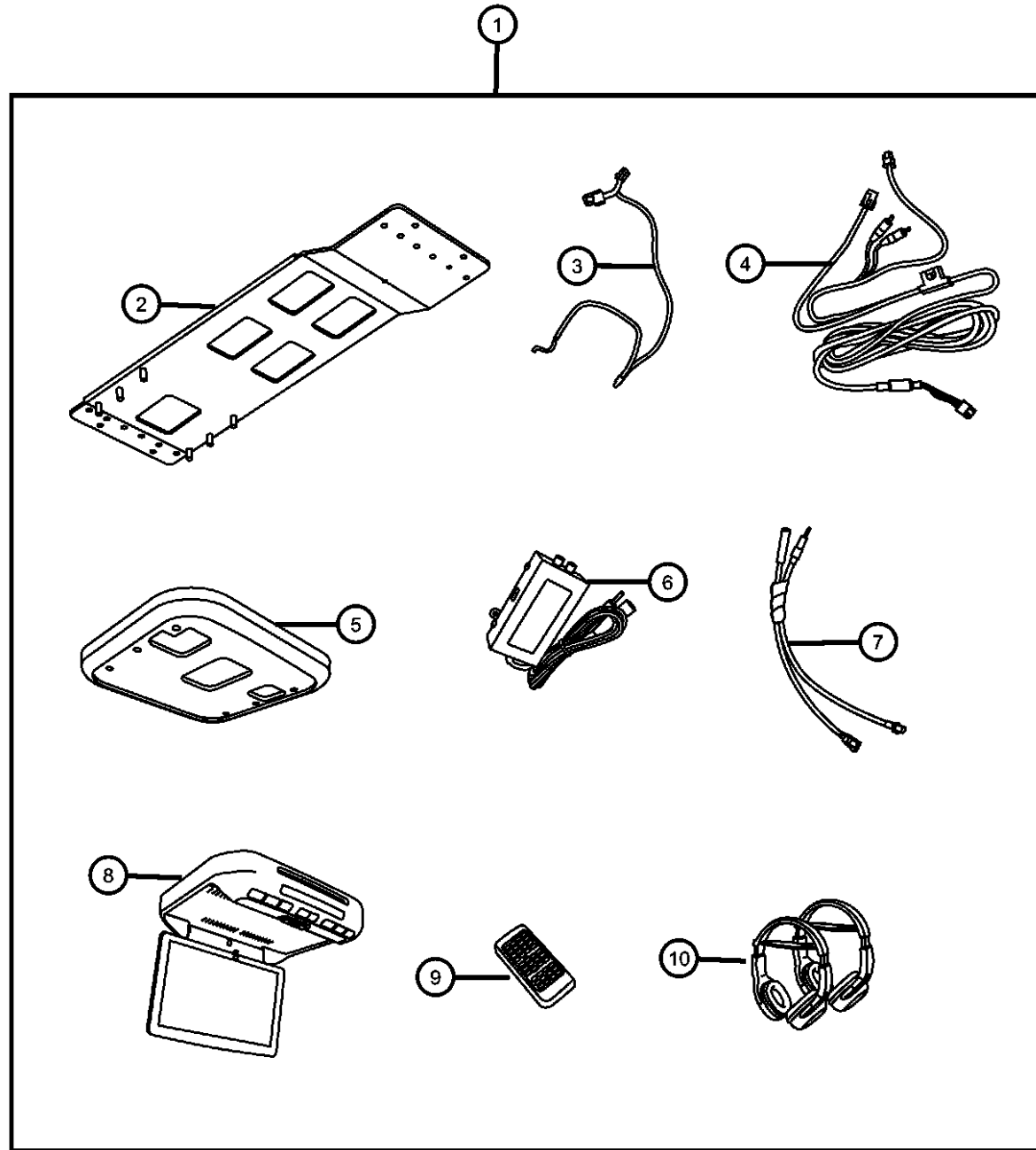
Heater Kit - Engine Block.....	Fig. 1 - 602
--------------------------------	--------------

4-Wheeling and Off Road

Hook Kit - Tow	Fig. 1 - 1008
Skid Plate - Fuel Tank.....	Fig. 1 - 1010
Skid Plate - Transfer Case	Fig. 1 - 1016

<p>001-100 Audio & Electronics</p> 	<p>001-1000 4-Wheeling and Off Road</p>	<p>001-200 Carriers & Cargo Hauling</p> 	<p>001-300 Driving Convenience</p> 
<p>001-400 Exterior Appearance</p>	<p>001-500 Exterior Protection</p>	<p>001-600 Fog Lights & Electrical</p>	

Media System
Figure 1-110



ITEM	PART NUMBER	QTY	LINE	SERIES	BODY	ENGINE	TRANS	TRIM	DESCRIPTION
1	82210939AB	1							MEDIA SYSTEM, Monitor With DVD, 10 Inch
2	68030138AA	1							BRACKET
3	68033634AA	1							HARNESS, Wiring
4	68026724AA	1							HARNESS, Wiring
5	68036470AA	1							SHROUD, SHROUD
6	05166872AA	1							MODULATOR, FM
7	68037916AA	1							HARNESS, Wiring
8	68036468AB	1							DVD CHANGER
9	68024459AA	1							REMOTE, Wireless Infrared
10	05064037AA	1							HEADPHONES, Wireless

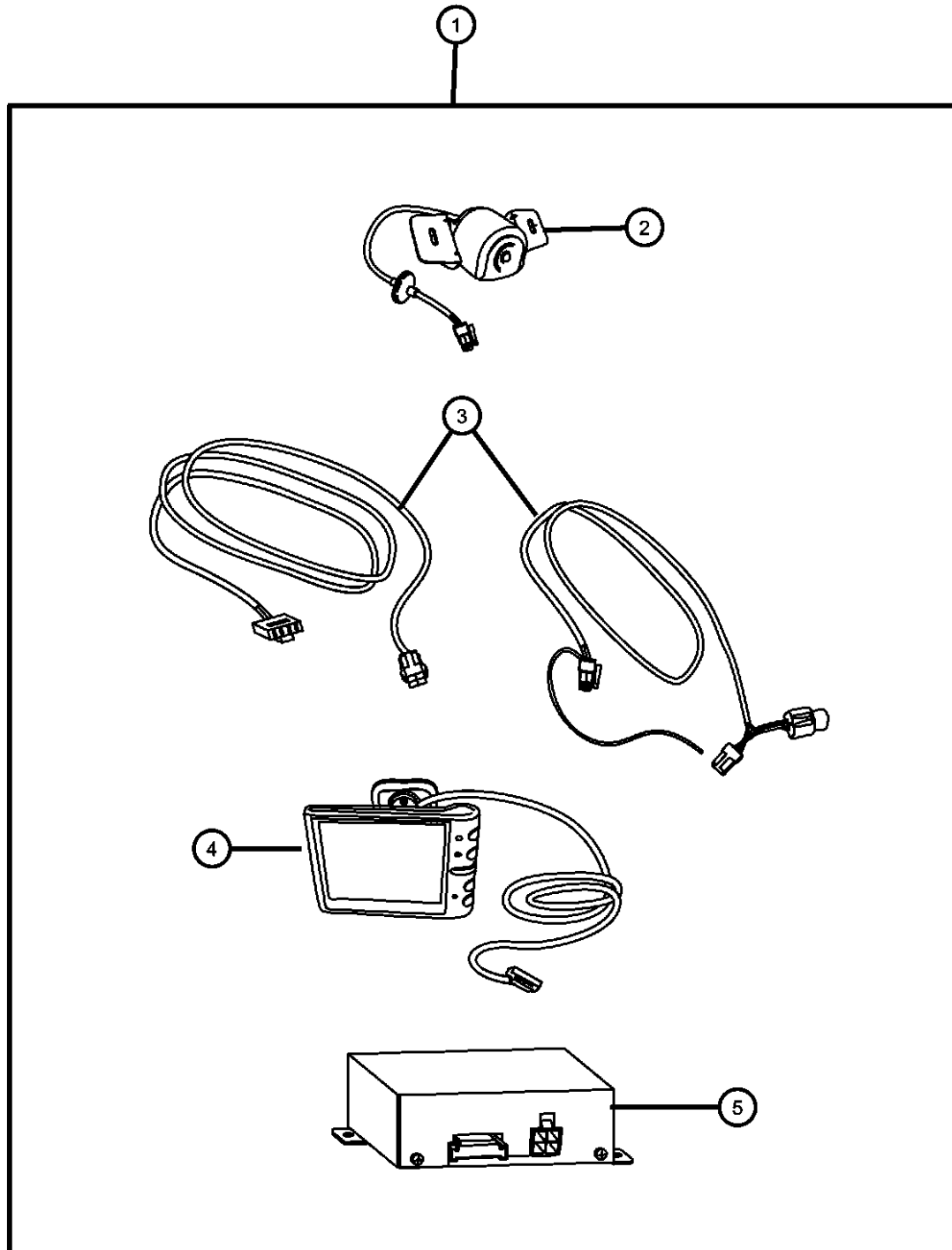
DURANGO (HB)

SERIES	LINE	BODY	ENGINE	TRANSMISSION
H = HIGHLINE	1 = Lt. Duty DODGE 2WD	74 = SPORT UTILITY 4-DR	EVE = 4.7L V8 Engine	DGQ = 5-Spd Automatic 545RFE
M = MEDIUM	5 = Lt. Duty DODGE 4WD	TYPE #4	EZD = 5.7L Hemi VCT MDS Engine	Transmission
P = PREMIUM			EKG = 3.7L V6 Engine	DGV = 4-Spd. Automatic VLP 42RLE Trans

AR = use ase required - = Non illustrated part

Camera - Back Up
Figure 1-118

ITEM	PART NUMBER	QTY	LINE	SERIES	BODY	ENGINE	TRANS	TRIM	DESCRIPTION
1	82210146AC	1			74				CAMERA KIT, Back Up
2	05191906AA	1			74				CAMERA
3	05191905AA	1			74				HARNESS, Wiring
4	05191907AB	1			74				MONITOR, Back Up Camera
5	05191903AA	1			74				CONTROL MODULE, Receiver



DURANGO (HB)

SERIES LINE

H = HIGHLINE 1 = Lt. Duty DODGE 2WD

M = MEDIUM 5 = Lt. Duty DODGE 4WD

P = PREMIUM

BODY

74 = SPORT UTILITY 4-DR
TYPE #4

ENGINE

EVE = 4.7L V8 Engine
EZD = 5.7L Hemi VCT MDS
Engine
EKG = 3.7L V6 Engine

TRANSMISSION

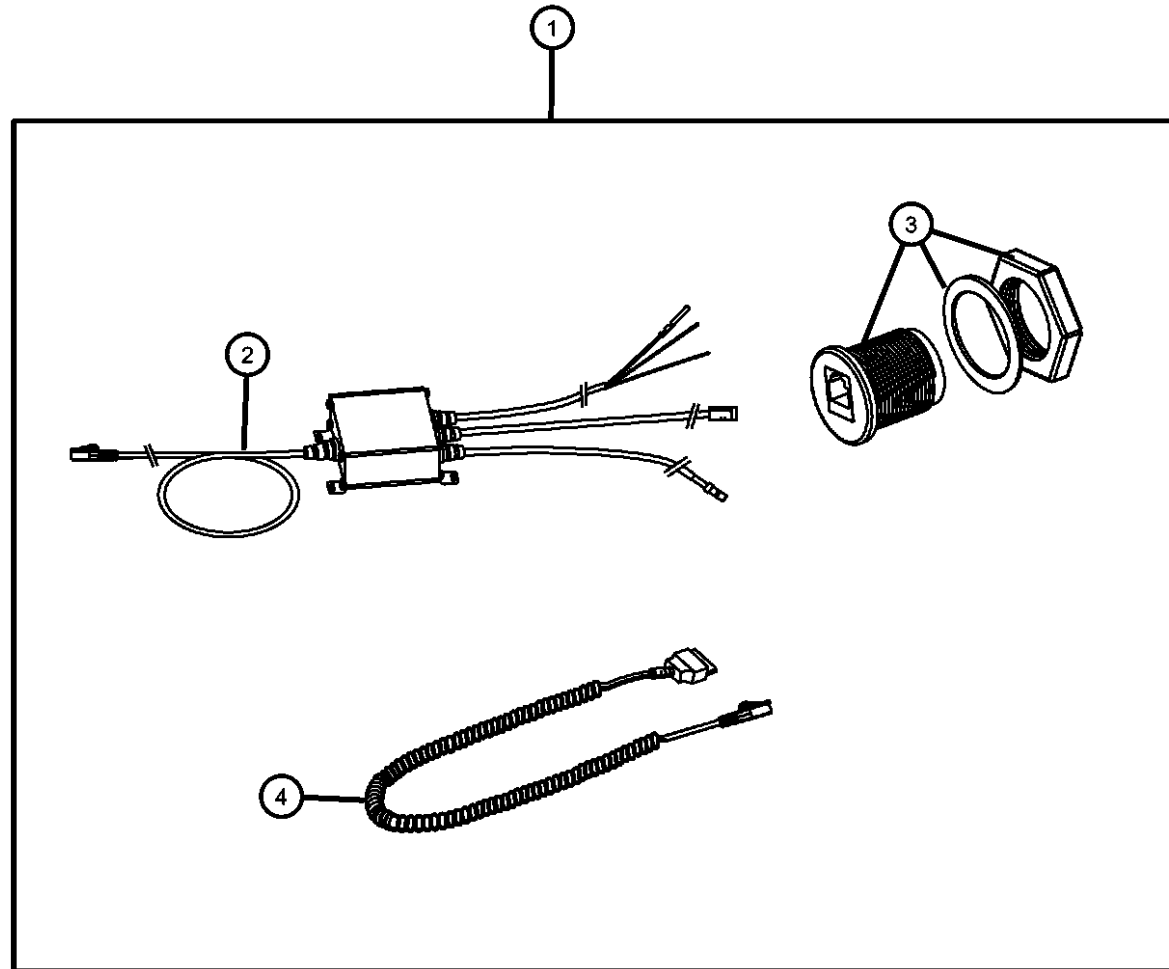
DGQ = 5-Spd Automatic 545RFE
Transmission
DGV = 4-Spd. Automatic VLP 42RLE
Trans

AR = use ase required - = Non illustrated part

2009 HB

IPod
Figure 1-122

ITEM	PART NUMBER	QTY	LINE	SERIES	BODY	ENGINE	TRANS	TRIM	DESCRIPTION
1	82210848AB	1							MODULE KIT, IPOD Interface
2	82210848AB	1							MODULE, (NOT SERVICED)
3	68024675AA	1							HARDWARE, Contains: RJ11 Coupler, Plastic Nut & Lockwasher
4	68001396AA	1							HARNESS, Jumper



DURANGO (HB)

SERIES

H = HIGHLINE
M = MEDIUM
P = PREMIUM

LINE

1 = Lt. Duty DODGE 2WD
5 = Lt. Duty DODGE 4WD

BODY

74 = SPORT UTILITY 4-DR
TYPE #4

ENGINE

EVE = 4.7L V8 Engine
EZD = 5.7L Hemi VCT MDS
Engine
EKG = 3.7L V6 Engine

TRANSMISSION

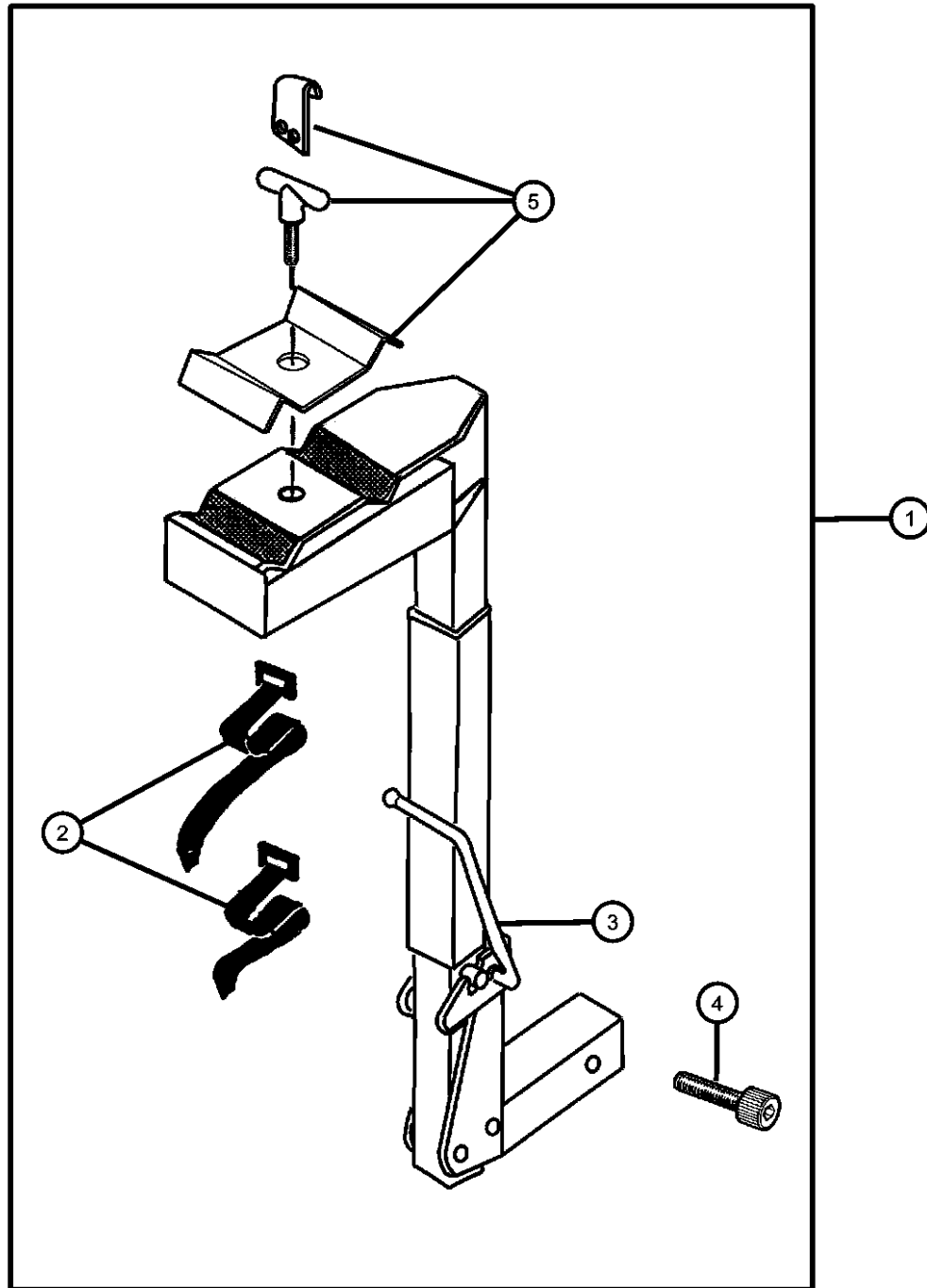
DGQ = 5-Spd Automatic 545RFE
Transmission
DGV = 4-Spd. Automatic VLP 42RLE
Trans

AR = use ase required - = Non illustrated part

2009 HB

Carrier Kit -Bike Hitch Mount
Figure 1-204

ITEM	PART NUMBER	QTY	LINE	SERIES	BODY	ENGINE	TRANS	TRIM	DESCRIPTION
1	82204328AB	1							CARRIER KIT, Bike 4 Place Carrier
	82204453AB	1							2 Place Carrier
2	04762880	1							STRAP KIT, Velcro
3	05016775AA	1							STRAP KIT, Bike Carrier Latch, Contains: 2- Rubber Straps
4	05016776AA	1							BOLT KIT, Security, Contains: 1-Security Bolt, 1-Security Wrench, 1-Washer & Nut
5	05018825AA	1							HARDWARE KIT, Bike Carrier, Contains: T-Handle, Lock Strap, Top Clamp Assy & Nylon Washer



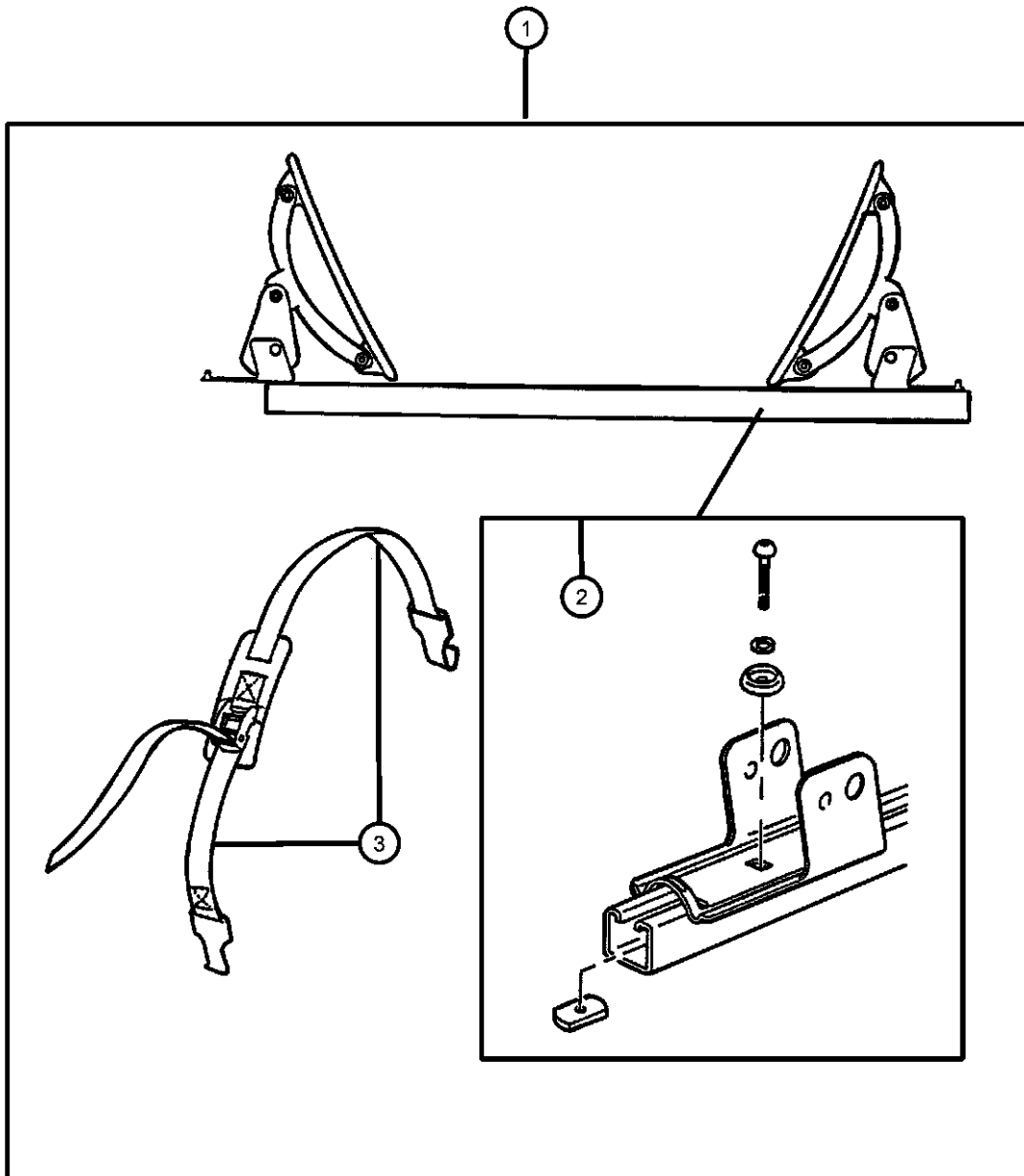
DURANGO (HB)

SERIES	LINE	BODY	ENGINE	TRANSMISSION
H = HIGHLINE	1 = Lt. Duty DODGE 2WD	74 = SPORT UTILITY 4-DR	EVE = 4.7L V8 Engine	DGQ = 5-Spd Automatic 545RFE
M = MEDIUM	5 = Lt. Duty DODGE 4WD	TYPE #4	EZD = 5.7L Hemi VCT MDS Engine	Transmission
P = PREMIUM			EKG = 3.7L V6 Engine	DGV = 4-Spd. Automatic VLP 42RLE Trans

AR = use ase required - = Non illustrated part

Carrier Kit - Water Sports
Figure 1-210

ITEM	PART NUMBER	QTY	LINE	SERIES	BODY	ENGINE	TRANS	TRIM	DESCRIPTION
------	-------------	-----	------	--------	------	--------	-------	------	-------------



Note; Requires T-Slot Crossbar

1	82205416	1							
2	05016389AA	1							
3	05016511AA	1							

CARRIER KIT, Water Sports, Kayak, Surfboard, Sail Board
 HARDWARE KIT, Accessory,
 Contains: 4-25MM Button Head
 Screws, 4-30MM Button Head
 Screws, 4-Lock Washers, 4-Dome
 Washers, 4-Rubber Washers and
 4-T-Nuts
 STRAP, Cargo Tie Down

DURANGO (HB)

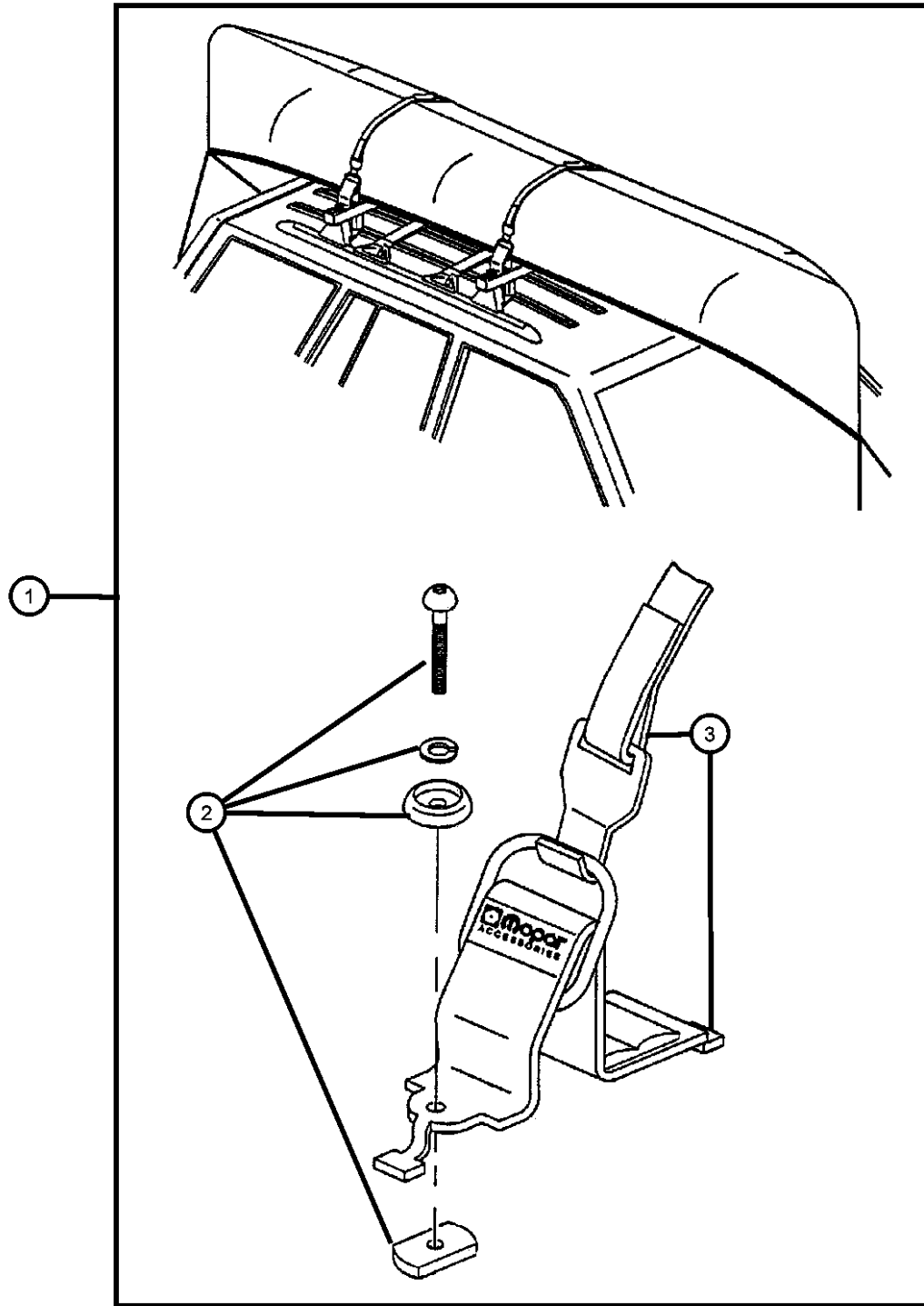
SERIES	LINE	BODY	ENGINE	TRANSMISSION
H = HIGHLINE	1 = Lt. Duty DODGE 2WD	74 = SPORT UTILITY 4-DR	EVE = 4.7L V8 Engine	DGQ = 5-Spd Automatic 545RFE
M = MEDIUM	5 = Lt. Duty DODGE 4WD	TYPE #4	EZD = 5.7L Hemi VCT MDS	Transmission
P = PREMIUM			Engine	DGV = 4-Spd. Automatic VLP 42RLE
			EKG = 3.7L V6 Engine	Trans

AR = use ase required - = Non illustrated part

2009 HB

Carrier Kit - Canoe
Figure 1-212

ITEM	PART NUMBER	QTY	LINE	SERIES	BODY	ENGINE	TRANS	TRIM	DESCRIPTION
------	-------------	-----	------	--------	------	--------	-------	------	-------------



Note; Requires Sport Utility Bar

1	82204700	1							
2	05016389AA	1							
3	05016511AA	1							

CARRIER KIT, Canoe
 HARDWARE KIT, Accessory,
 Contains: 4-25MM Button Head
 Screws, 4-30MM Button Head
 Screws, 4-Lock Washers, 4- Dome
 Washers, 4- Rubber Washers &
 4-T-Nuts
 STRAP, Cargo Tie Down

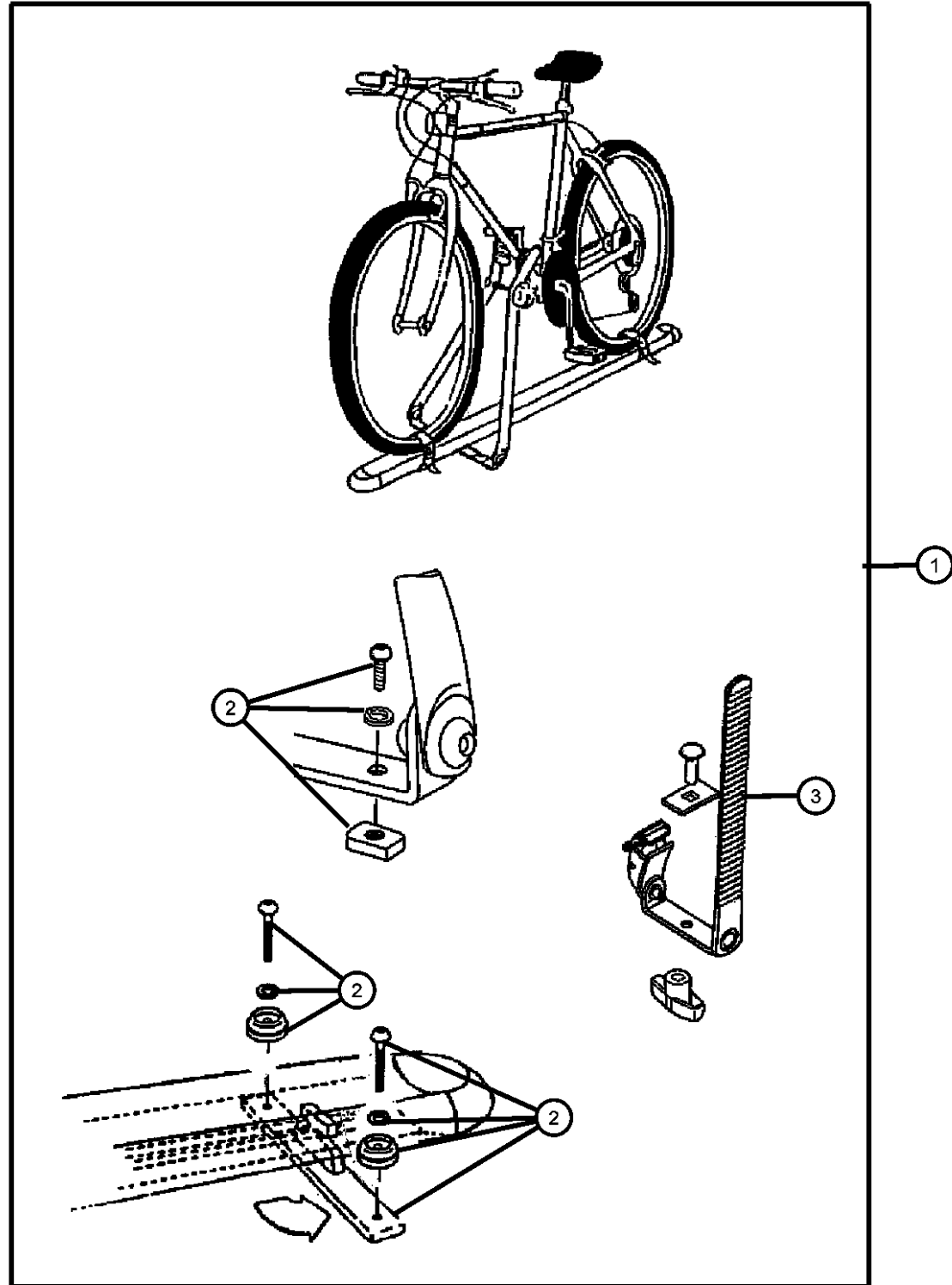
DURANGO (HB)

SERIES	LINE	BODY	ENGINE	TRANSMISSION
H = HIGHLINE	1 = Lt. Duty DODGE 2WD	74 = SPORT UTILITY 4-DR	EVE = 4.7L V8 Engine	DGQ = 5-Spd Automatic 545RFE
M = MEDIUM	5 = Lt. Duty DODGE 4WD	TYPE #4	EZD = 5.7L Hemi VCT MDS	Transmission
P = PREMIUM			Engine	DGV = 4-Spd. Automatic VLP 42RLE
			EKG = 3.7L V6 Engine	Trans

AR = use ase required - = Non illustrated part

Carrier Kit -Bike-Fork Mount
Figure 1-214

ITEM	PART NUMBER	QTY	LINE	SERIES	BODY	ENGINE	TRANS	TRIM	DESCRIPTION
1	82207942	1							CARRIER KIT, Bike
2	05093779AA	1							HARDWARE KIT, Accessory, Contains: 2-T-Slot Anchors, 1-Rear T-Slot Bar, 4-Button Head Screws, 2-Lockwashers,4-Round Dome Washers
3	05114532AA	1							STRAP, Cargo Tie Down



DURANGO (HB)

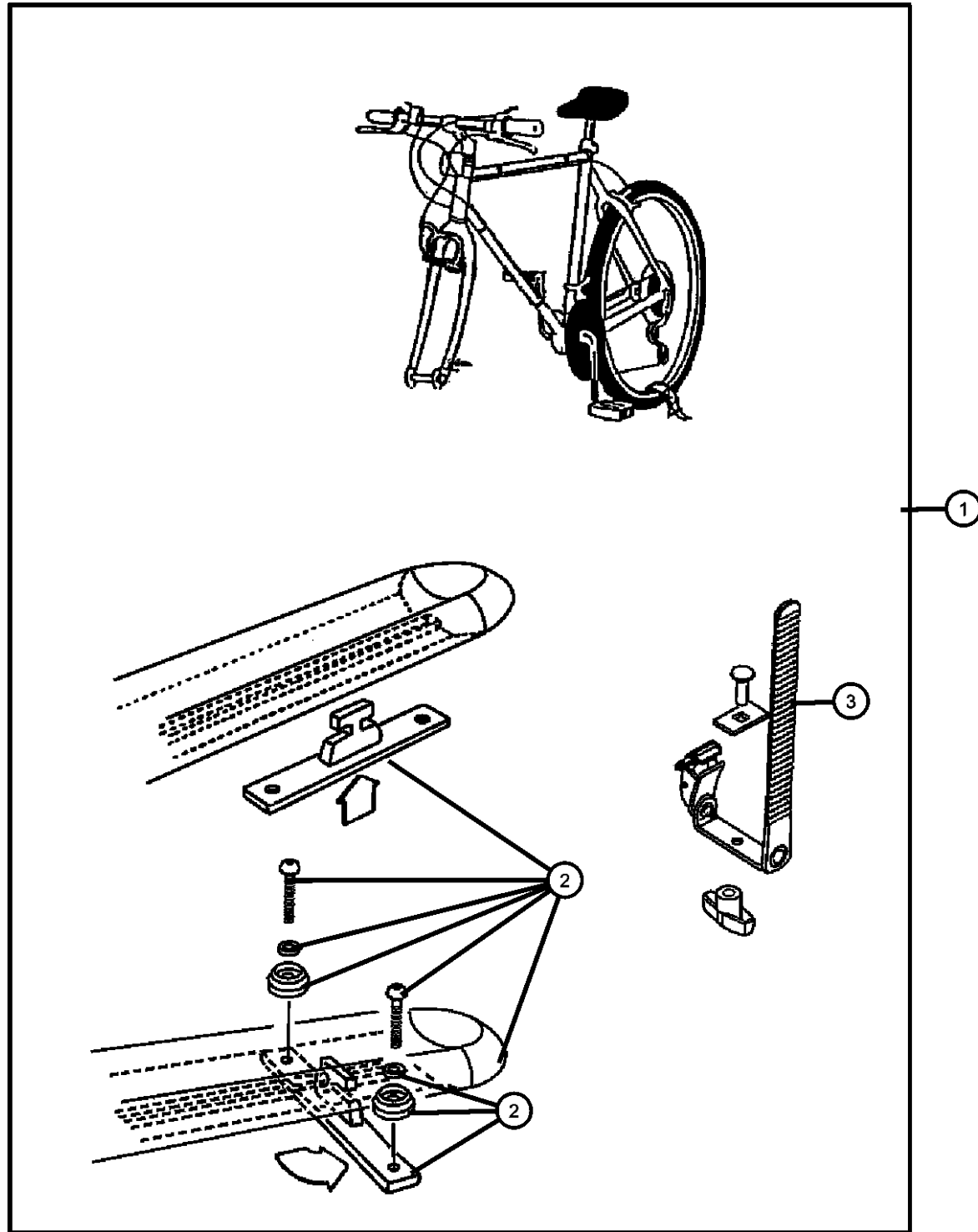
SERIES	LINE	BODY	ENGINE	TRANSMISSION
H = HIGHLINE	1 = Lt. Duty DODGE 2WD	74 = SPORT UTILITY 4-DR	EVE = 4.7L V8 Engine	DGQ = 5-Spd Automatic 545RFE
M = MEDIUM	5 = Lt. Duty DODGE 4WD	TYPE #4	EZD = 5.7L Hemi VCT MDS Engine	Transmission
P = PREMIUM			EKG = 3.7L V6 Engine	DGV = 4-Spd. Automatic VLP 42RLE Trans

AR = use ase required - = Non illustrated part

2009 HB

Carrier - Kit - Bike-Upright Mount
Figure 1-216

ITEM	PART NUMBER	QTY	LINE	SERIES	BODY	ENGINE	TRANS	TRIM	DESCRIPTION
1	82207943	1							CARRIER KIT, Bike
2	05093779AA	1							HARDWARE KIT, Accessory, Contains: 2-T-Slot Anchors, 1-Rear T-Slot Bar, 4 Button Head Screws,2-Lockwashers, 4-Round Dome Washers
3	05114532AA	1							STRAP, Cargo Tie Down



DURANGO (HB)

SERIES

H = HIGHLINE
M = MEDIUM
P = PREMIUM

LINE

1 = Lt. Duty DODGE 2WD
5 = Lt. Duty DODGE 4WD

BODY

74 = SPORT UTILITY 4-DR
TYPE #4

ENGINE

EVE = 4.7L V8 Engine
EZD = 5.7L Hemi VCT MDS
Engine
EKG = 3.7L V6 Engine

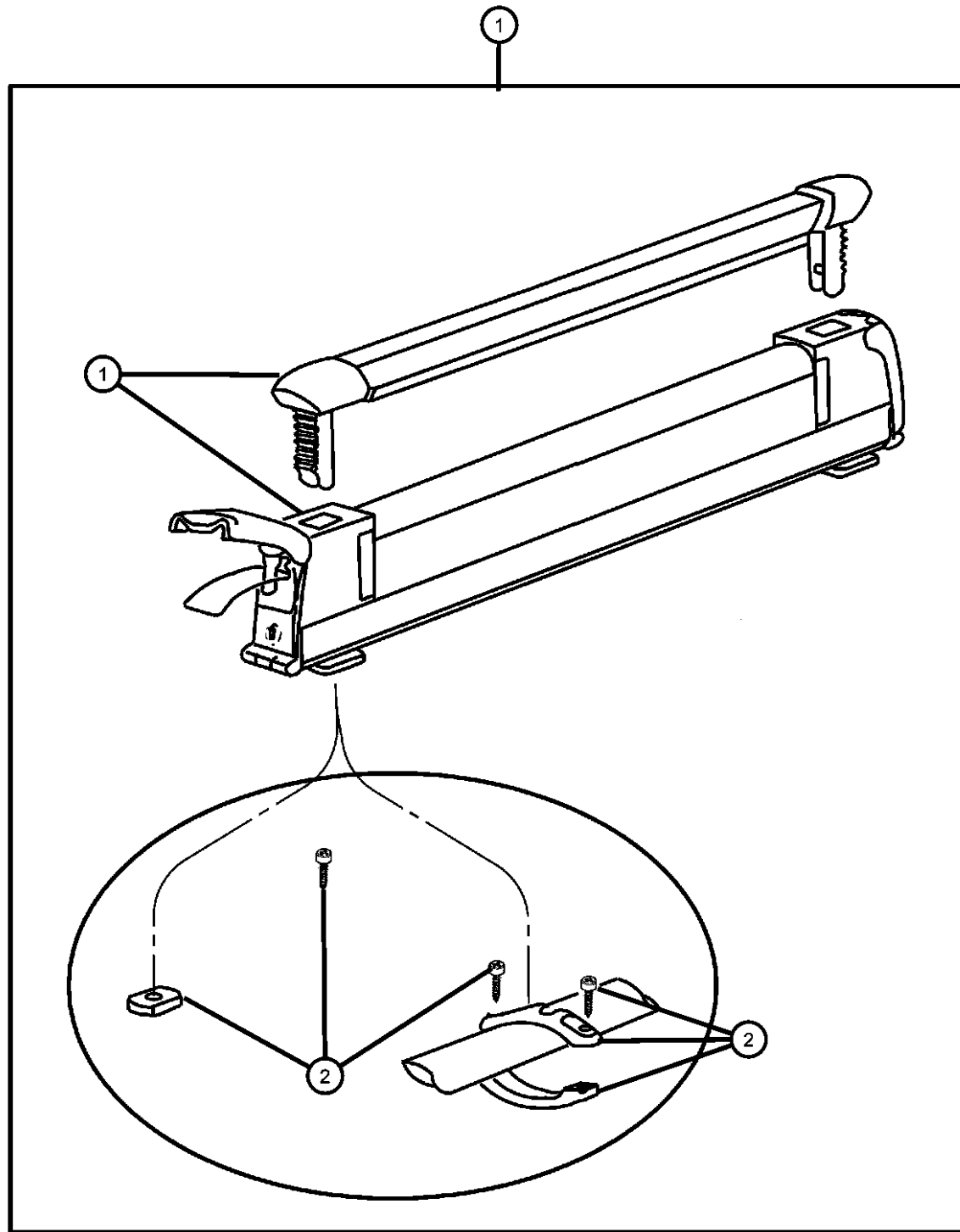
TRANSMISSION

DGQ = 5-Spd Automatic 545RFE
Transmission
DGV = 4-Spd. Automatic VLP 42RLE
Trans

AR = use ase required - = Non illustrated part

2009 HB

Carrier Kit - Ski
Figure 1-220



ITEM	PART NUMBER	QTY	LINE	SERIES	BODY	ENGINE	TRANS	TRIM	DESCRIPTION
1	82207312	1							CARRIER KIT, Ski, 3 Pair
2	05086158AA	1							HARDWARE KIT, Accessory, Contains: 4-25MM Screws, 4-16MM Screws, 4-20MM Screws, 4-Lock Washers, 4-Flat Washers, 4-Lock Washers, 4-Flat Washers, 4-T-Plate & 4-Rubber Washers
-3	05066632AB	1							TOOL, Screw Driver

DURANGO (HB)

SERIES

H = HIGHLINE
M = MEDIUM
P = PREMIUM

LINE

1 = Lt. Duty DODGE 2WD
5 = Lt. Duty DODGE 4WD

BODY

74 = SPORT UTILITY 4-DR
TYPE #4

ENGINE

EVE = 4.7L V8 Engine
EZD = 5.7L Hemi VCT MDS
Engine
EKG = 3.7L V6 Engine

TRANSMISSION

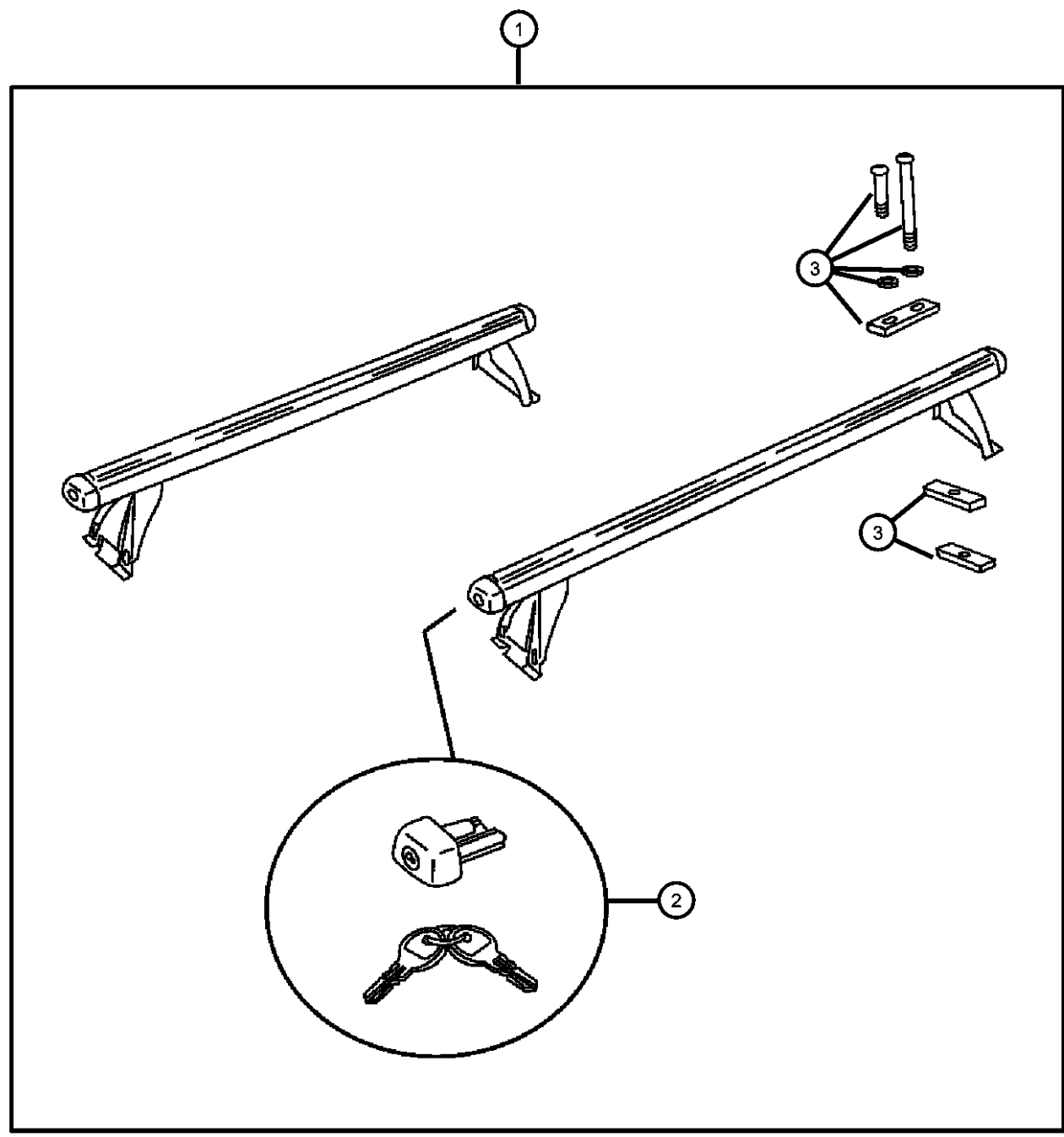
DGQ = 5-Spd Automatic 545RFE
Transmission
DGV = 4-Spd. Automatic VLP 42RLE
Trans

AR = use ase required - = Non illustrated part

2009 HB

Rack Kit - Multipurpose
Figure 1-230

ITEM	PART NUMBER	QTY	LINE	SERIES	BODY	ENGINE	TRANS	TRIM	DESCRIPTION
------	-------------	-----	------	--------	------	--------	-------	------	-------------



Note; Requires Roof Rack

1	82208282AD	1							RACK KIT, Multipurpose
2	05072276AB	1							END CAP, Roof Rack Side Rail
3	05066452AA	1							HARDWARE KIT, ROOF RACK, Contains: 4-End Caps, 8-Pan Head Screws
-4	05066632AB	1							TOOL, Screw Driver

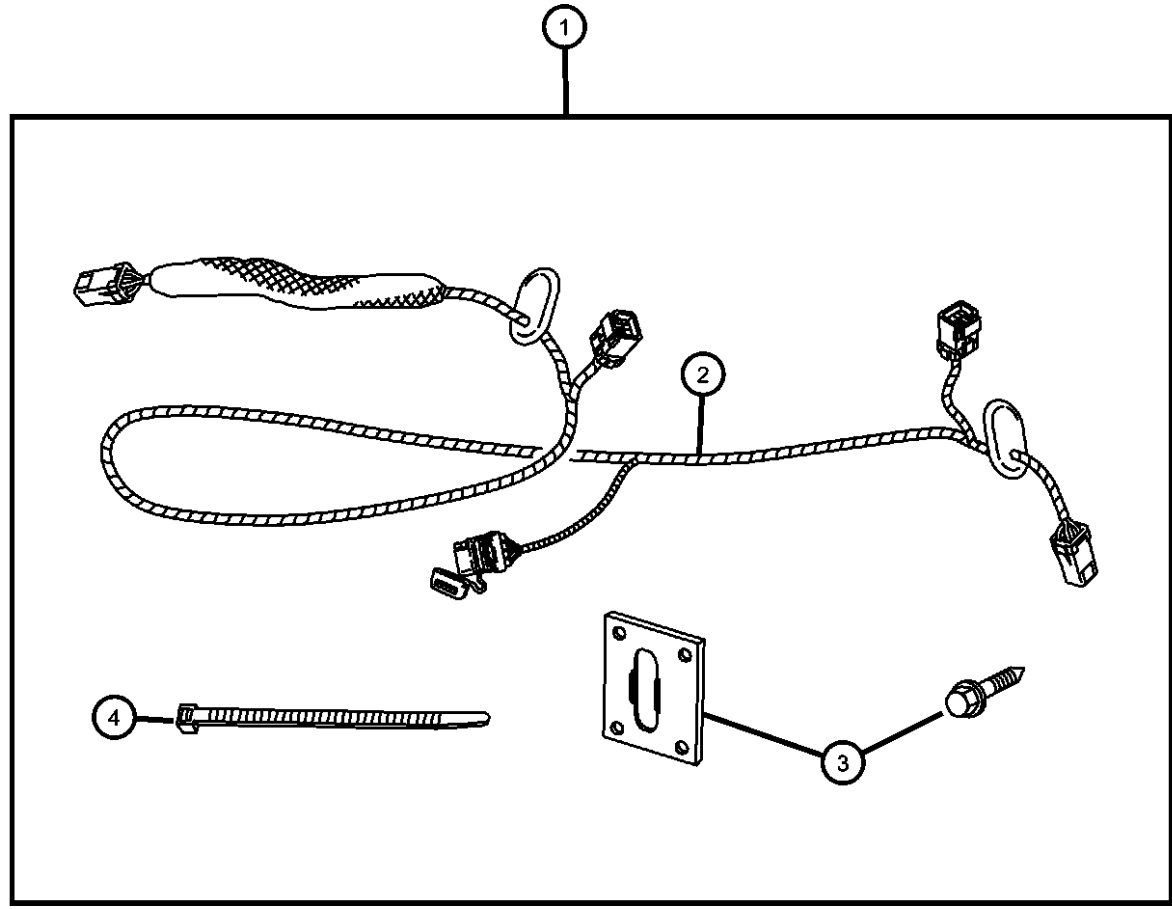
DURANGO (HB)

SERIES	LINE	BODY	ENGINE	TRANSMISSION
H = HIGHLINE	1 = Lt. Duty DODGE 2WD	74 = SPORT UTILITY 4-DR	EVE = 4.7L V8 Engine	DGQ = 5-Spd Automatic 545RFE
M = MEDIUM	5 = Lt. Duty DODGE 4WD	TYPE #4	EZD = 5.7L Hemi VCT MDS Engine	Transmission
P = PREMIUM			EKG = 3.7L V6 Engine	DGV = 4-Spd. Automatic VLP 42RLE Trans

AR = use ase required - = Non illustrated part

Wiring Package-Trailer Tow-4 Way
Figure 1-242

ITEM	PART NUMBER	QTY	LINE	SERIES	BODY	ENGINE	TRANS	TRIM	DESCRIPTION
1	82208434AB	1							WIRING KIT, Trailer Tow - 4 Way
2	82208434AB	1							WIRING, Trailer Tow - 4 Way, (NOT SERVICED)
3	05134771AA	1							ADAPTER KIT, Trailer Tow
4	06015756	1							STRAP, Tie, Quantity of 4

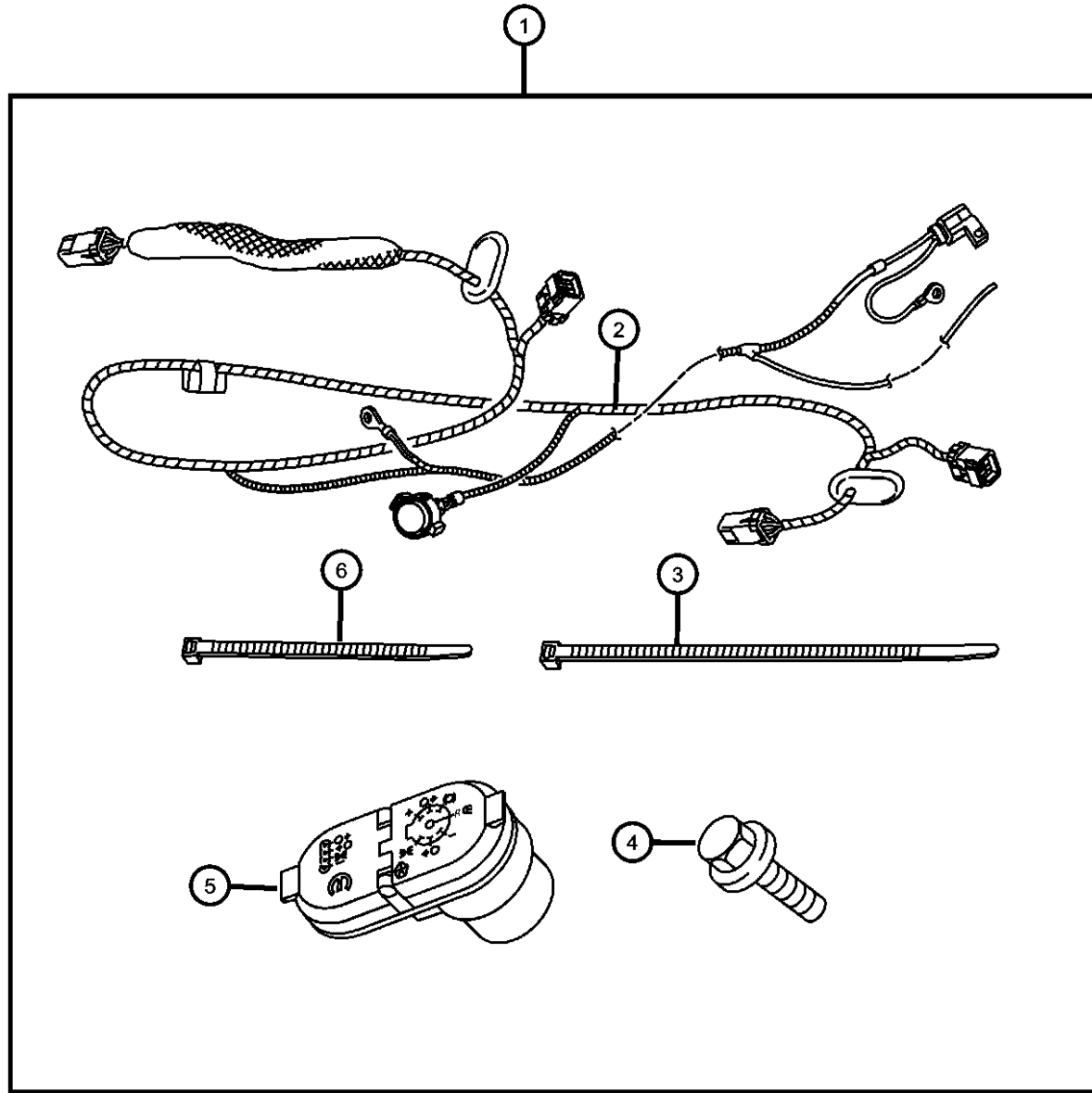


DURANGO (HB)				
SERIES	LINE	BODY	ENGINE	TRANSMISSION
H = HIGHLINE	1 = Lt. Duty DODGE 2WD	74 = SPORT UTILITY 4-DR	EVE = 4.7L V8 Engine	DGQ = 5-Spd Automatic 545RFE
M = MEDIUM	5 = Lt. Duty DODGE 4WD	TYPE #4	EZD = 5.7L Hemi VCT MDS Engine	Transmission
P = PREMIUM			EKG = 3.7L V6 Engine	DGV = 4-Spd. Automatic VLP 42RLE
				Trans

AR = use ase required - = Non illustrated part

**Wiring Package-Trailer Tow-7 Way
Figure 1-243**

ITEM	PART NUMBER	QTY	LINE	SERIES	BODY	ENGINE	TRANS	TRIM	DESCRIPTION
1	82209773	1			74				WIRING KIT, Trailer Tow, 7-Way
2	68026723AA	1			74				WIRING, Trailer Tow
3	06016155	1			74				STRAP, Tie, Quantity of 2
4	06503815	1			74				SCREW, M10x1.50x25
5	56055632AB	1			74				CONNECTOR, 7 Way
6	06015756	1							STRAP, Tie, Quantity of 10



DURANGO (HB)

SERIES LINE

H = HIGHLINE 1 = Lt. Duty DODGE 2WD

M = MEDIUM 5 = Lt. Duty DODGE 4WD

P = PREMIUM

BODY

74 = SPORT UTILITY 4-DR
TYPE #4

ENGINE

EVE = 4.7L V8 Engine
EZD = 5.7L Hemi VCT MDS
Engine
EKG = 3.7L V6 Engine

TRANSMISSION

DGQ = 5-Spd Automatic 545RFE
Transmission
DGV = 4-Spd. Automatic VLP 42RLE
Trans

AR = use ase required - = Non illustrated part

2009 HB

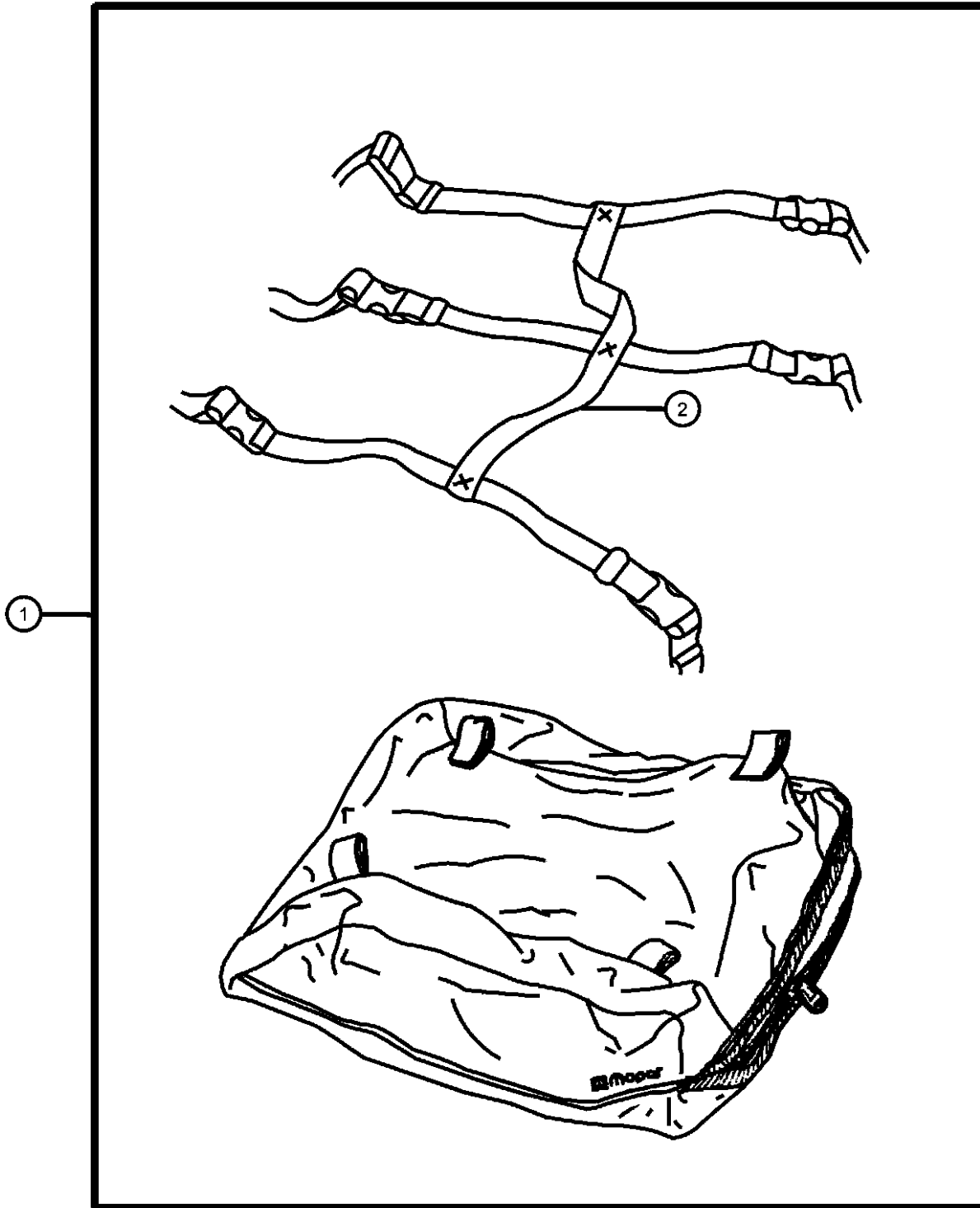
Carrier Kit - Luggage -Soft
Figure 1-252

ITEM	PART NUMBER	QTY	LINE	SERIES	BODY	ENGINE	TRANS	TRIM	DESCRIPTION
------	-------------	-----	------	--------	------	--------	-------	------	-------------

NOTE: Requires Roof Rack.

1	82207198	1							
2	05066332AA	1							

CARRIER KIT, Luggage
STRAP KIT, Luggage Carrier,
Contains: 6-Tie Straps, 6-Locking
Buckles, 6-Quick Release
Connectors, 6-Elastic Loops



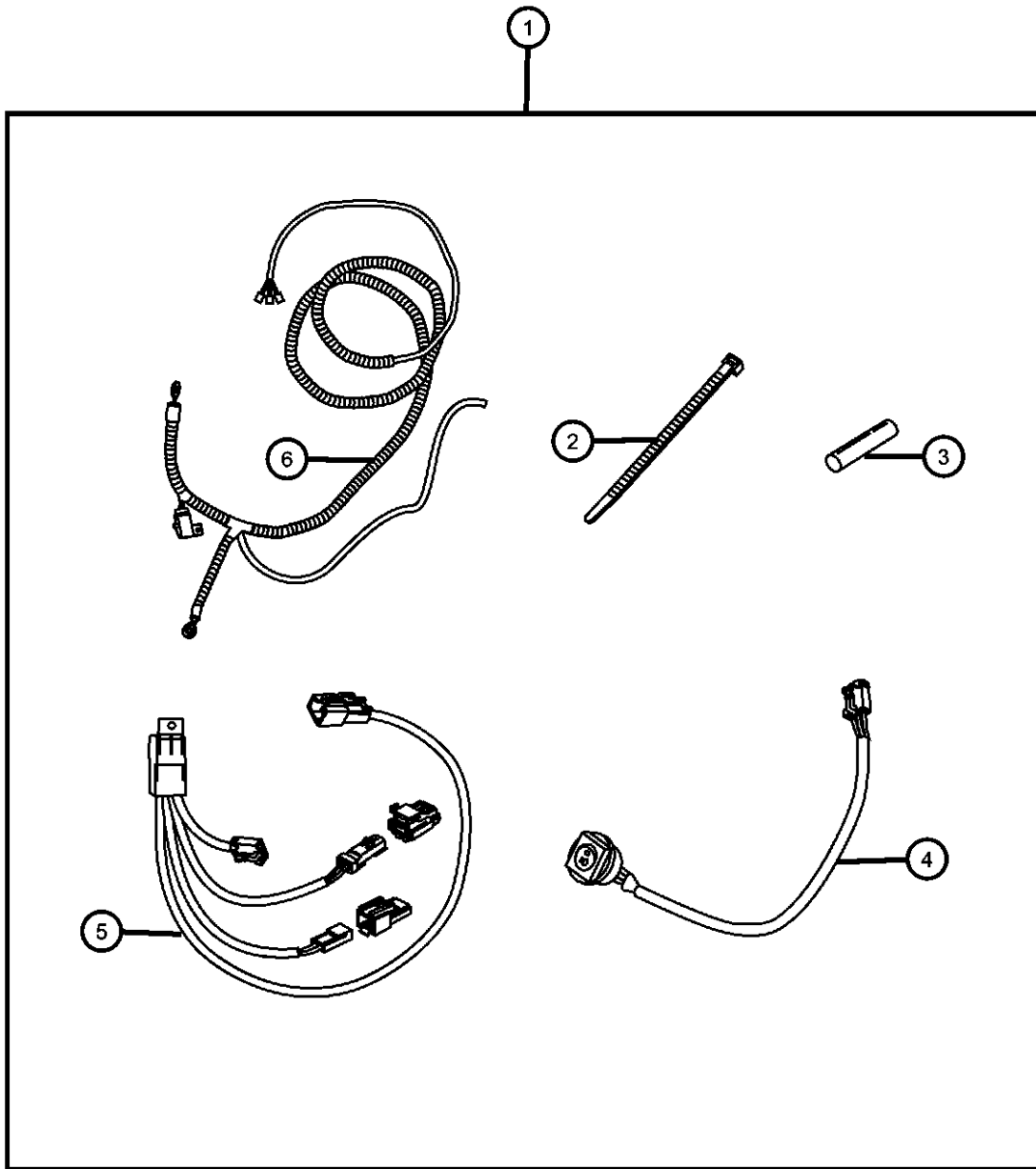
DURANGO (HB)

SERIES	LINE	BODY	ENGINE	TRANSMISSION
H = HIGHLINE	1 = Lt. Duty DODGE 2WD	74 = SPORT UTILITY 4-DR TYPE #4	EVE = 4.7L V8 Engine	DGQ = 5-Spd Automatic 545RFE Transmission
M = MEDIUM	5 = Lt. Duty DODGE 4WD		EZD = 5.7L Hemi VCT MDS Engine	DGV = 4-Spd. Automatic VLP 42RLE Trans
P = PREMIUM			EKG = 3.7L V6 Engine	

AR = use ase required - = Non illustrated part

2009 HB

Wiring Kit - Off Road
Figure 1-264



ITEM	PART NUMBER	QTY	LINE	SERIES	BODY	ENGINE	TRANS	TRIM	DESCRIPTION
1	82211452	1			74				WIRING KIT, Off Road
2	06015756	1			74				STRAP, Tie, Quantity of 14
3	04778570	1			74				TUBE, Heat Shrink
4	68005178AC	1			74				SWITCH, Fog Lamp
5	05179783AB	1			74				HARNESS, Wiring
6	05179784AA	1			74				HARNESS, Roof

DURANGO (HB)

SERIES

H = HIGHLINE
M = MEDIUM
P = PREMIUM

LINE

1 = Lt. Duty DODGE 2WD
5 = Lt. Duty DODGE 4WD

BODY

74 = SPORT UTILITY 4-DR
TYPE #4

ENGINE

EVE = 4.7L V8 Engine
EZD = 5.7L Hemi VCT MDS
Engine
EKG = 3.7L V6 Engine

TRANSMISSION

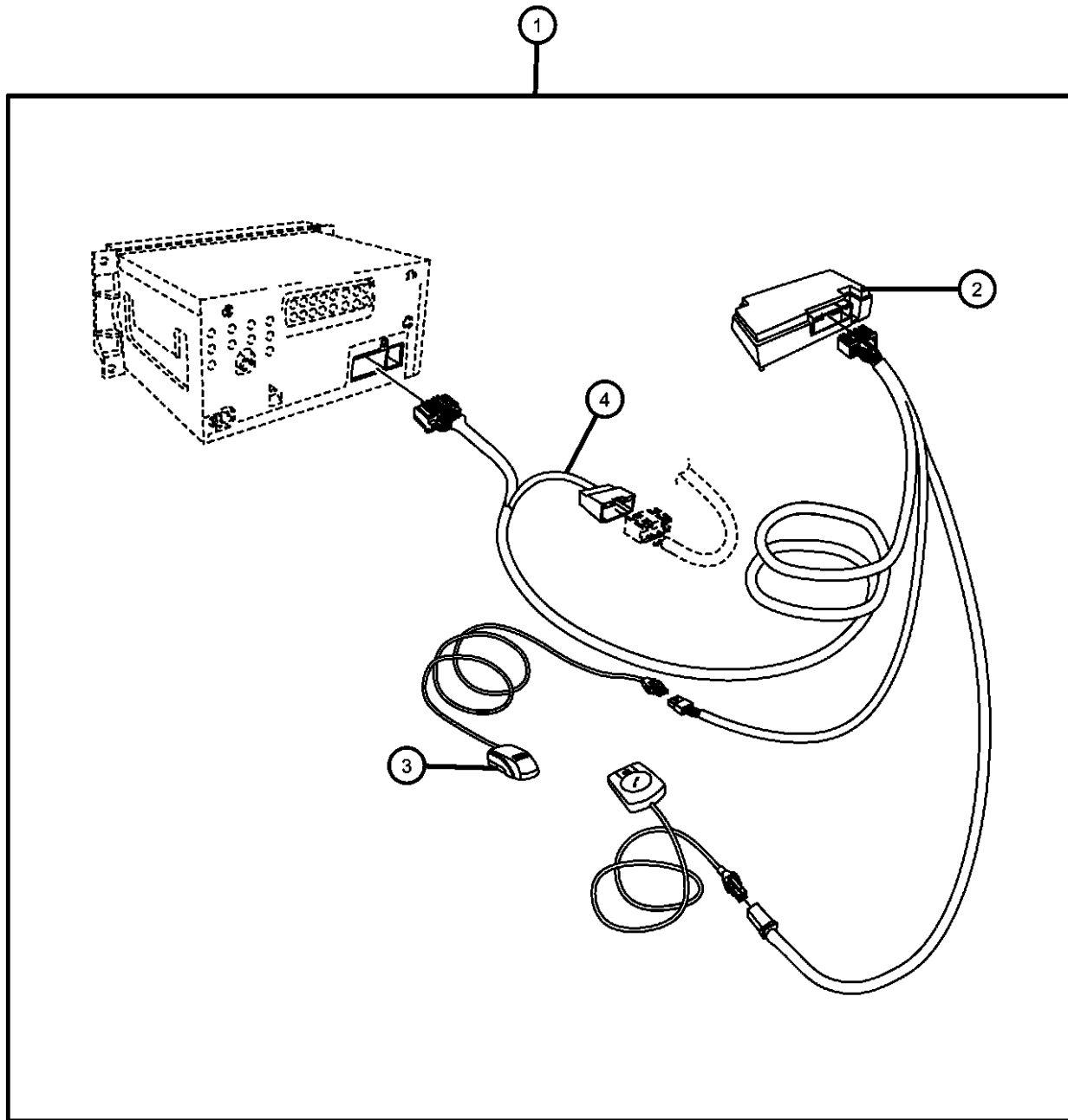
DGQ = 5-Spd Automatic 545RFE
Transmission
DGV = 4-Spd. Automatic VLP 42RLE
Trans

AR = use ase required - = Non illustrated part

2009 HB

Hands Free Kit - Cellular Phone-Blue Tooth-Low Speed
Figure 1-312

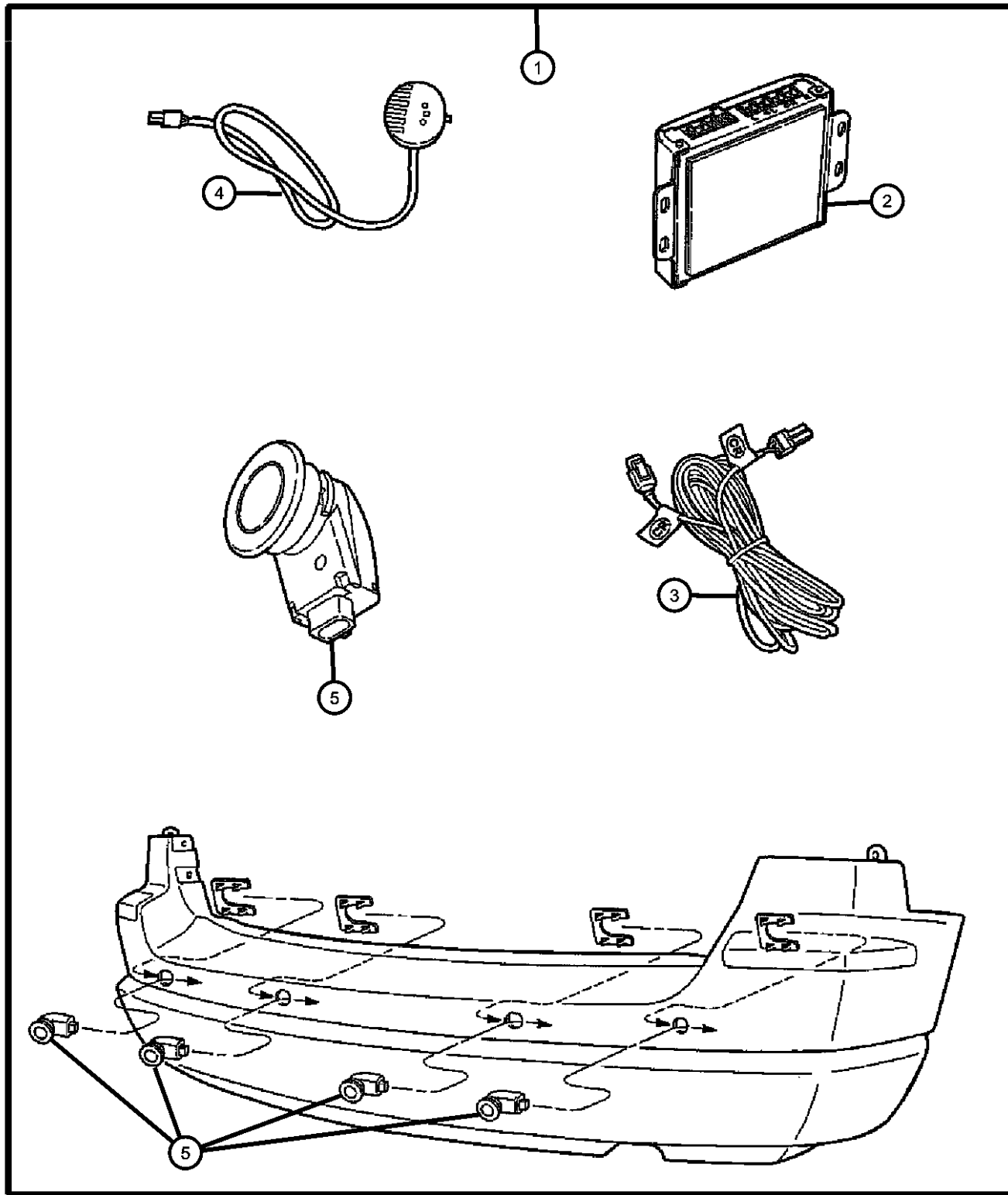
ITEM	PART NUMBER	QTY	LINE	SERIES	BODY	ENGINE	TRANS	TRIM	DESCRIPTION
1	82211005AB	1							HANDS FREE KIT, Cellular Phone
2	05064448AD	1							MODULE, Telematics
3	68002646AA	1							MICROPHONE, Audio
4	68002648AA	1							HARNESS



DURANGO (HB)				
SERIES	LINE	BODY	ENGINE	TRANSMISSION
H = HIGHLINE	1 = Lt. Duty DODGE 2WD	74 = SPORT UTILITY 4-DR	EVE = 4.7L V8 Engine	DGQ = 5-Spd Automatic 545RFE
M = MEDIUM	5 = Lt. Duty DODGE 4WD	TYPE #4	EZD = 5.7L Hemi VCT MDS Engine	Transmission
P = PREMIUM			EKG = 3.7L V6 Engine	DGV = 4-Spd. Automatic VLP 42RLE Trans

AR = use ase required - = Non illustrated part

Sensor Package-Park/Distance
Figure 1-320



ITEM	PART NUMBER	QTY	LINE	SERIES	BODY	ENGINE	TRANS	TRIM	DESCRIPTION
1	82208246AE	1							SENSOR KIT, Park Distance
2	05137541AA	1							MODULE, Parking Assist
3	05137540AA	1							WIRING, Distance Sensor
4	05137539AA	1							DISPLAY, Parking Assist
5	05137536AA	1							SENSOR

DURANGO (HB)

SERIES

H = HIGHLINE 1 = Lt. Duty DODGE 2WD
M = MEDIUM 5 = Lt. Duty DODGE 4WD
P = PREMIUM

LINE

BODY

74 = SPORT UTILITY 4-DR
TYPE #4

ENGINE

EVE = 4.7L V8 Engine
EZD = 5.7L Hemi VCT MDS
Engine
EKG = 3.7L V6 Engine

TRANSMISSION

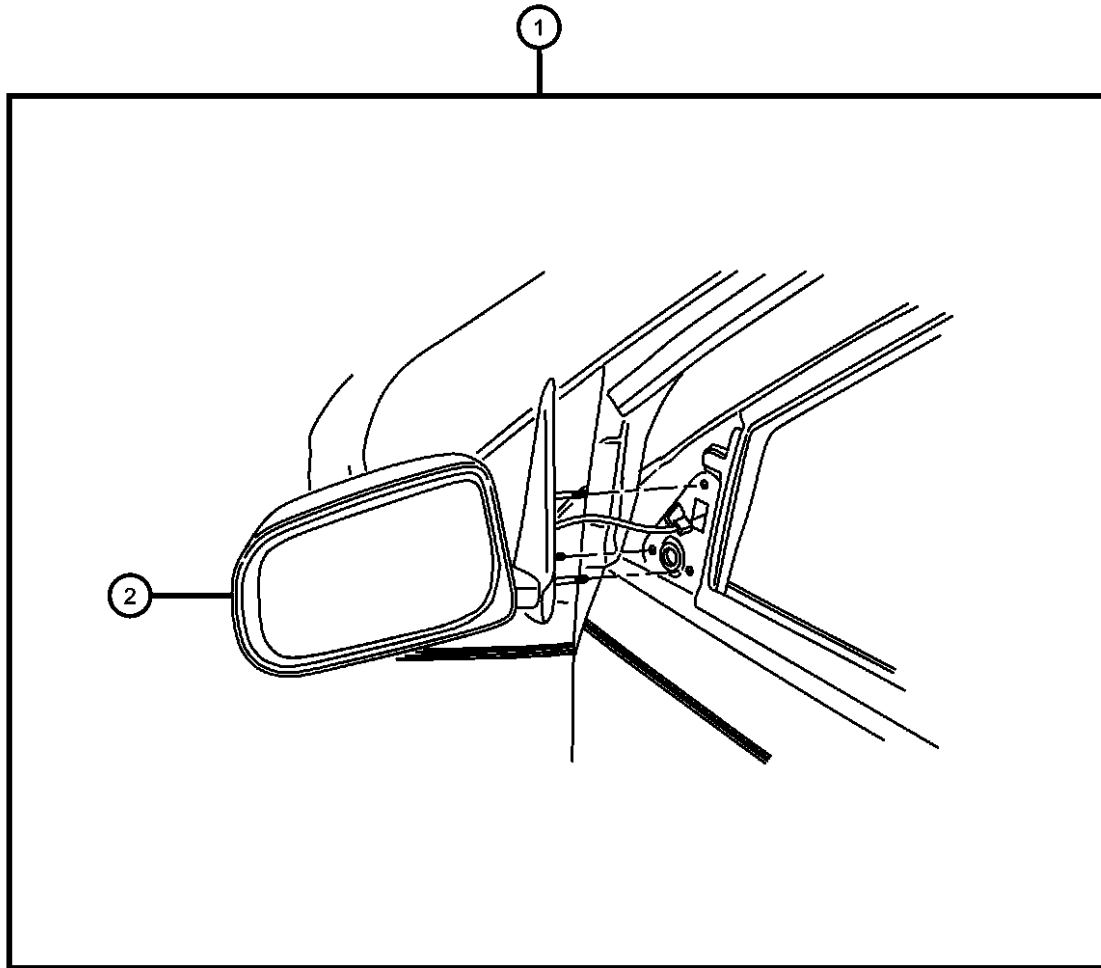
DGQ = 5-Spd Automatic 545RFE
Transmission
DGV = 4-Spd. Automatic VLP 42RLE
Trans

AR = use ase required - = Non illustrated part

2009 HB

Mirror Kit - Remote
Figure 1-434

ITEM	PART NUMBER	QTY	LINE	SERIES	BODY	ENGINE	TRANS	TRIM	DESCRIPTION
1	82210283	1							MIRROR, Outside Rearview
2									MIRROR, Outside Rearview
	55078074AK	1							Right
	55078075AK	1							Left



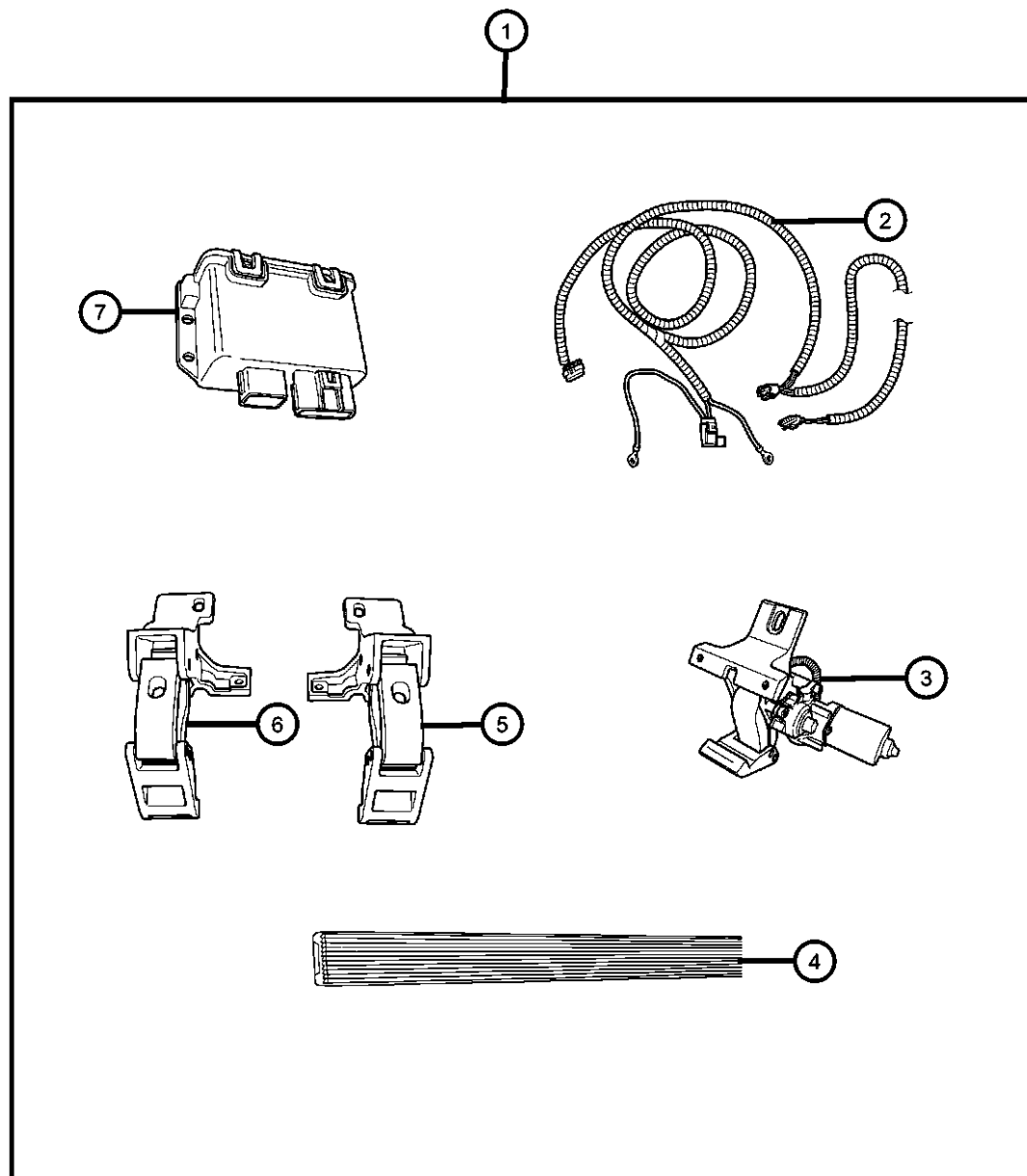
DURANGO (HB)

SERIES	LINE	BODY	ENGINE	TRANSMISSION
H = HIGHLINE	1 = Lt. Duty DODGE 2WD	74 = SPORT UTILITY 4-DR	EVE = 4.7L V8 Engine	DGQ = 5-Spd Automatic 545RFE
M = MEDIUM	5 = Lt. Duty DODGE 4WD	TYPE #4	EZD = 5.7L Hemi VCT MDS Engine	Transmission
P = PREMIUM			EKG = 3.7L V6 Engine	DGV = 4-Spd. Automatic VLP 42RLE Trans

AR = use ase required - = Non illustrated part

Board Kit - Running-Power
Figure 1-438

ITEM	PART NUMBER	QTY	LINE	SERIES	BODY	ENGINE	TRANS	TRIM	DESCRIPTION
1	82209108AB	1							RUNNING BOARD KIT, Full
2	68022355AA	1							HARNESS, Wiring
3	68022352AA	1							LINK ASSY, LINK ASSY, Drive
4	68022354AA	1							STEP, Side
5	68022353AA	1							LINK ASSY, LINK ASSY, Idler RH
6	68022351AA	1							LINK ASSY, LINK ASSY, Idler LH
7	68022350AA	1							MODULE, Controller



DURANGO (HB)

SERIES	LINE	BODY	ENGINE	TRANSMISSION
H = HIGHLINE	1 = Lt. Duty DODGE 2WD	74 = SPORT UTILITY 4-DR	EVE = 4.7L V8 Engine	DGQ = 5-Spd Automatic 545RFE
M = MEDIUM	5 = Lt. Duty DODGE 4WD	TYPE #4	EZD = 5.7L Hemi VCT MDS Engine	Transmission
P = PREMIUM			EKG = 3.7L V6 Engine	DGV = 4-Spd. Automatic VLP 42RLE
				Trans

AR = use ase required - = Non illustrated part