

### VIN PLATE DECODING INFORMATION

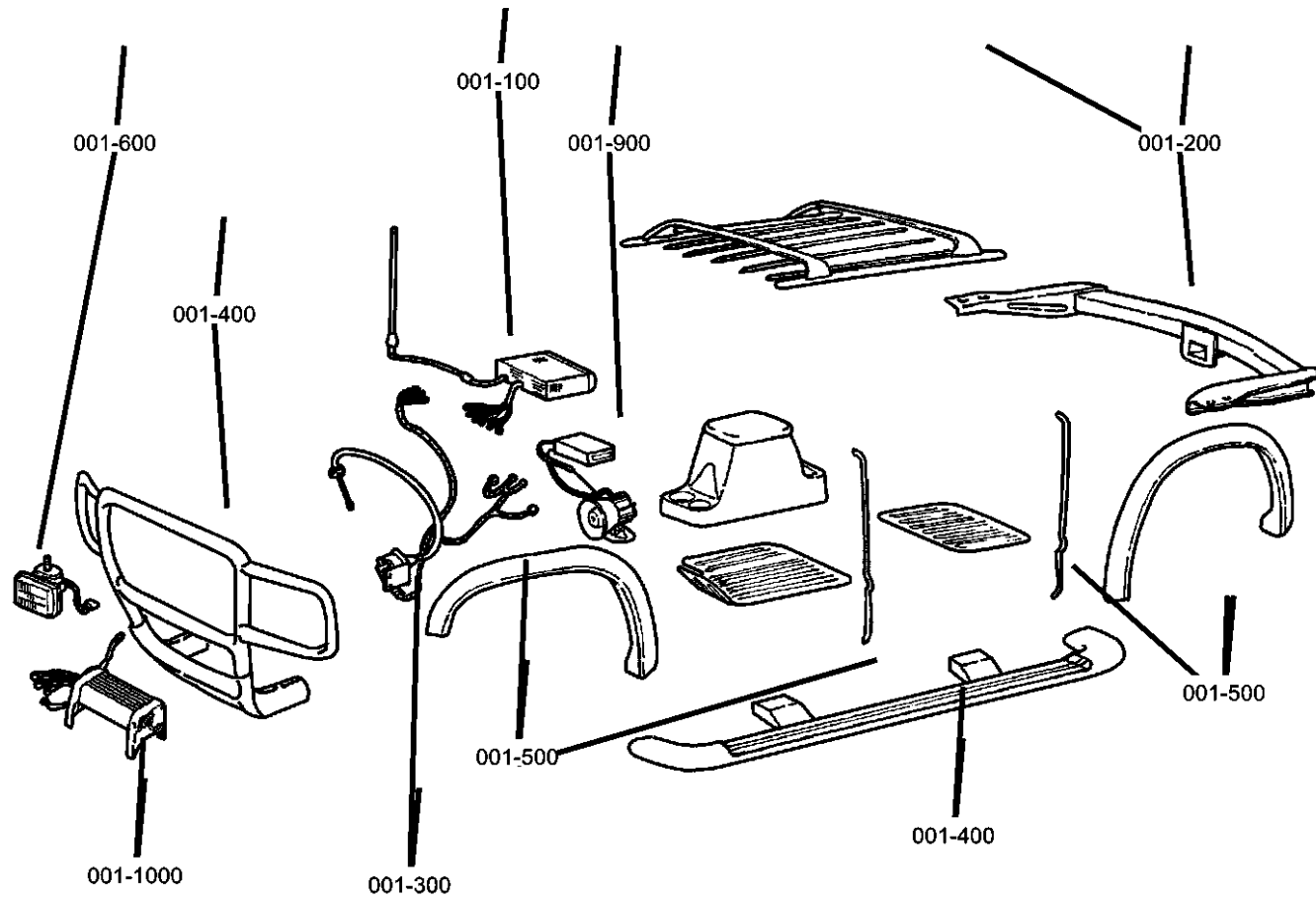
1	2	3	4	5	6	7	8	9	10	11	12 thru 17
Country	Make	Vehicle Type	Other	Line	Series	Body Style	Engine	Check Digit	Model Year	Assy. Plant	Sequence No.

The following table interprets the VIN Plate position shown above.

Position	Interpretation	Codes = Description
1	Country of Origin	2 = Built in U.S. by DaimlerChrysler Corporation
2	Assembler	D = Dodge
3	Vehicle Type	7 = Truck
4	GVWR & Pass. Safety	D = 0-1,360 kg (0-3,000 lbs) E = 1,361-1,814 kg (3,001-4000 lbs) F = 1,815-2,267 kg (4001-5,000 lbs) G = 2,268-2,721 kg (5,001-6000 lbs) H = 2,722-3,175 kg (6001-7000 lbs) J = 3,176-3,628 kg (7001-8000 lbs) K = 3,629-4,082 kg (8001-9000 lbs) L = 4,083-4,535 kg (9001-10,000 lbs) M = 4,536-6,350 kg (10,001-14,000 lbs)
5	Vehicle Line	D = Durango 4x2 B = Durango 4x4
6	Series	5 = Durango Limited 4 = Durango SLT 3 = Durango ST
7	Body Style	8 = Sport Utility 4 Door
8	Engine	K = 3.7L 6 Cylinder Gasoline (EKG) N = 4.7L 8 Cylinder Gasoline (EVA) P = 4.7L V8 CYL Flex Fuel (EVD) 8 = 5.7L V8 CYL HEMI Multiple Displacement Gasoline (EZB)
9	Check Digit	0 = Check Digit
10	Model Year	7 = 2007
11	Assembly Plant	F = Newark
12 thru 17	Vehicle Build Sequence	Model Year Assembly Sequence

# Group - 1

## Component Parts for Mopar Accessories



## Group - 1 Component Parts for Mopar Accessories

Illustration Title

Group-Fig. No.

### Audio & Electronics

Satellite Receiver Kit.....	Fig. 1 - 120
Install Kit Satellite Receiver.....	Fig. 1 - 125
Navus.....	Fig. 1 - 140
Media System - Rear Seat Video.....	Fig. 1 - 150
Navigation Kit.....	Fig. 1 - 160
Backup Camera Kit.....	Fig. 1 - 170

### Carriers & Cargo Hauling

Bike Carrier - Hitch Mount Four Bikes.....	Fig. 1 - 210
Bike Carrier, Hitch Mount Two Bikes.....	Fig. 1 - 215
Bike Carrier - Roof Mount- Fork.....	Fig. 1 - 220
Bike Carrier- Roof Mount -Upright.....	Fig. 1 - 225
Carrier Kit - Canoe.....	Fig. 1 - 230
Carrier Kit - Watersports.....	Fig. 1 - 232
Carrier Kit, Snowboard or Ski.....	Fig. 1 - 235
Rack Kit - Multipurpose.....	Fig. 1 - 238
Luggage Carrier Roof Vinyl.....	Fig. 1 - 264
Carrier Kit / Luggage.....	Fig. 1 - 266

### Driving Convenience

Remote Start.....	Fig. 1 - 310
Sensor Package Park/Distance.....	Fig. 1 - 320
Hands Free Kit/Cellular Phone Blue Tooth.....	Fig. 1 - 330

### Exterior Protection

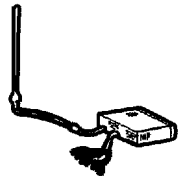
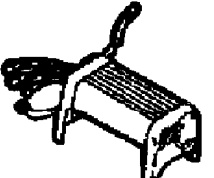
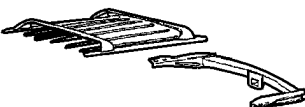

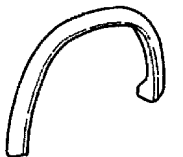

Air Deflector Kit - Front.....	Fig. 1 - 510
--------------------------------	--------------

### Fog Lights & Electrical

Mounting Kit - Off Road Lamps.....	Fig. 1 - 610
Engine Block Heater.....	Fig. 1 - 620

### 4 - Wheeling & Off Road

Skid Plate Kit - Transfer Case.....	Fig. 1 - 1010
Skid Plate - Fuel Tank.....	Fig. 1 - 1020

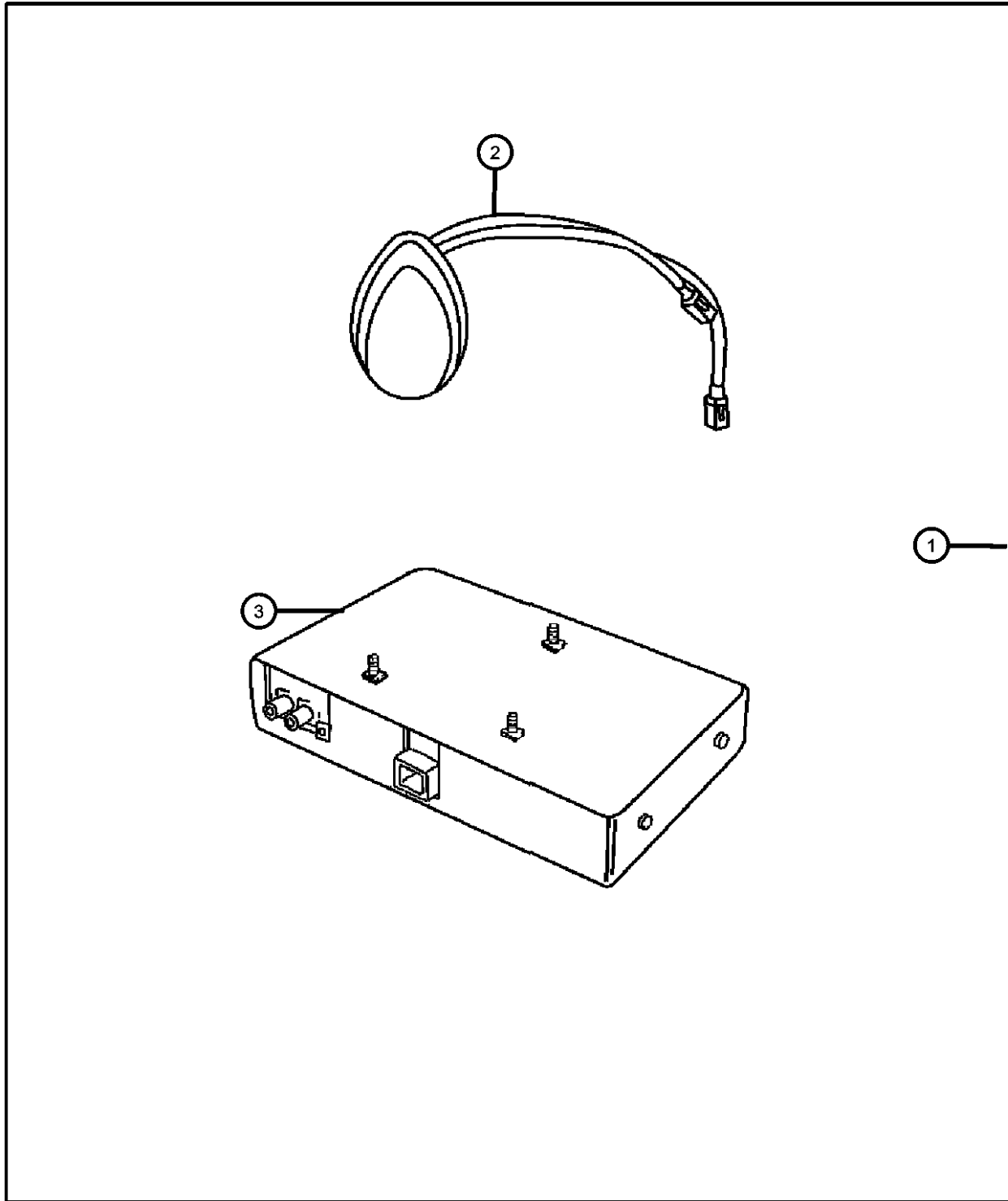
<p><b>001-100</b> Audio &amp; Electronics</p> 	<p><b>001-1000</b> 4 - Wheeling &amp; Off Road</p> 	<p><b>001-200</b> Carriers &amp; Cargo Hauling</p> 	<p><b>001-300</b> Driving Convenience</p> 
<p><b>001-500</b> Exterior Protection</p> 	<p><b>001-600</b> Fog Lights &amp; Electrical</p> 		

**Satellite Receiver Kit  
Figure 1-120**

ITEM	PART NUMBER	QTY	LINE	SERIES	BODY	ENGINE	TRANS	TRIM	DESCRIPTION
------	-------------	-----	------	--------	------	--------	-------	------	-------------

Note; For Warranty Repair On Item 3, Order Using Z Prefix

1	82207996AB	1							RECEIVER, Satelite
2	05091513AB	1							ANTENNA, Satellite
3	05064002AG	1							RECEIVER, Satellite



**DURANGO (HB)**

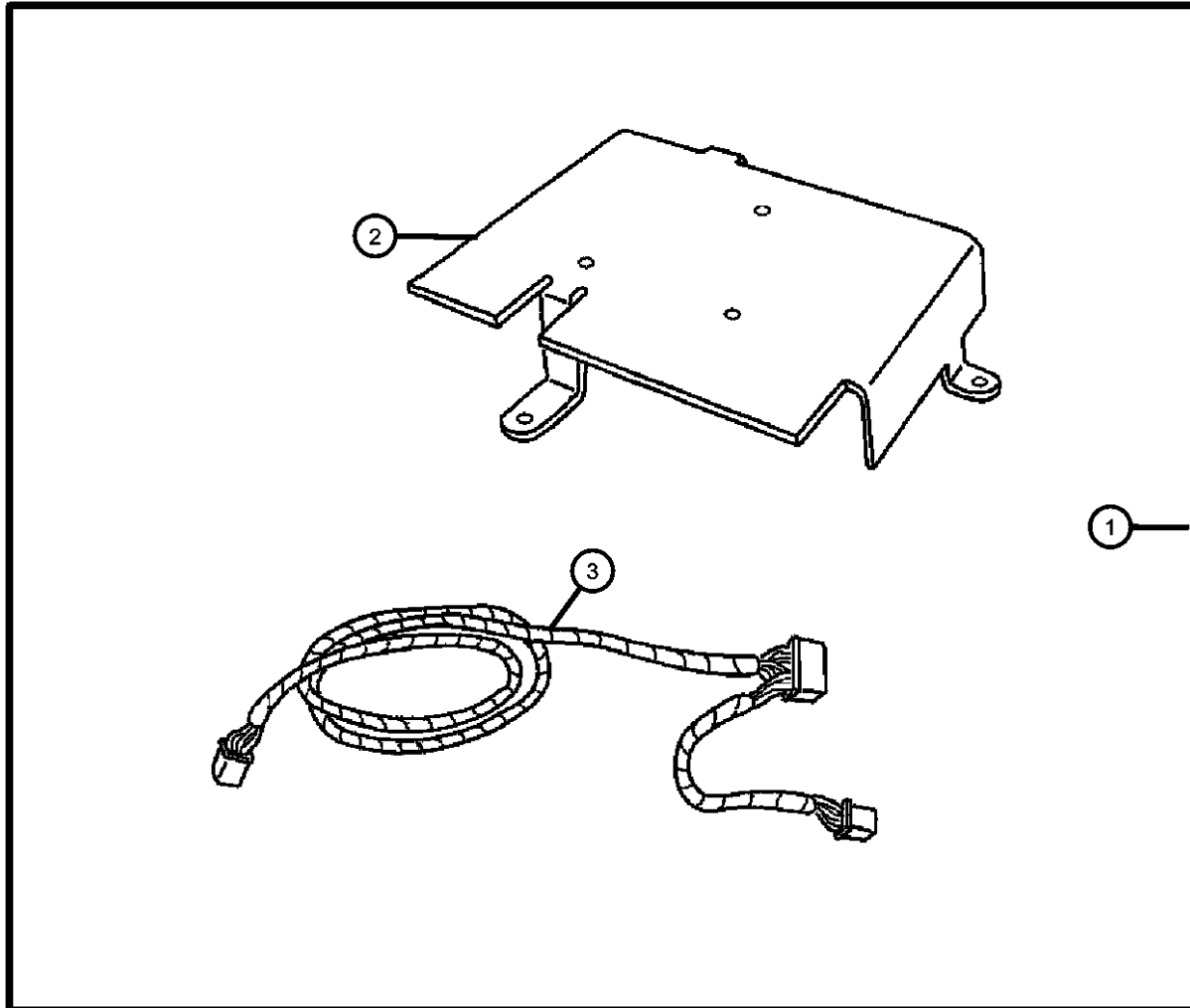
SERIES	LINE	BODY	ENGINE	TRANSMISSION
H = HIGHLINE	1 = Lt. Duty DODGE 2WD	74 = SPORT UTILITY 4-DR	EKG = 3.7L V6 Engine	DGQ = 5-Spd Automatic 545RFE
M = MEDIUM	5 = Lt. Duty DODGE 4WD	TYPE #4	EVA = 4.7L V8 MPI Engine	Transmission
P = PREMIUM			EVD = 4.7L V8 FFV Engine	DGV = 4-Spd. Automatic VLP 42RLE
			EZA = 5.7L Hemi V8 Engine	Trans
			EZB = 5.7L Hemi Multi	DG6 = 4-Spd. Automatic 42RLE
			Displacement Engine	Transmission

AR = use ase required - = Non illustrated part

2007 HB

**Install Kit Satellite Receiver  
Figure 1-125**

ITEM	PART NUMBER	QTY	LINE	SERIES	BODY	ENGINE	TRANS	TRIM	DESCRIPTION
1	82210431	1							INSTALL KIT, Satelite Receiver
2	56043299AA	1							BRACKET, Satellite Receiver
3	05159035AA	1							HARNESS, Overlay



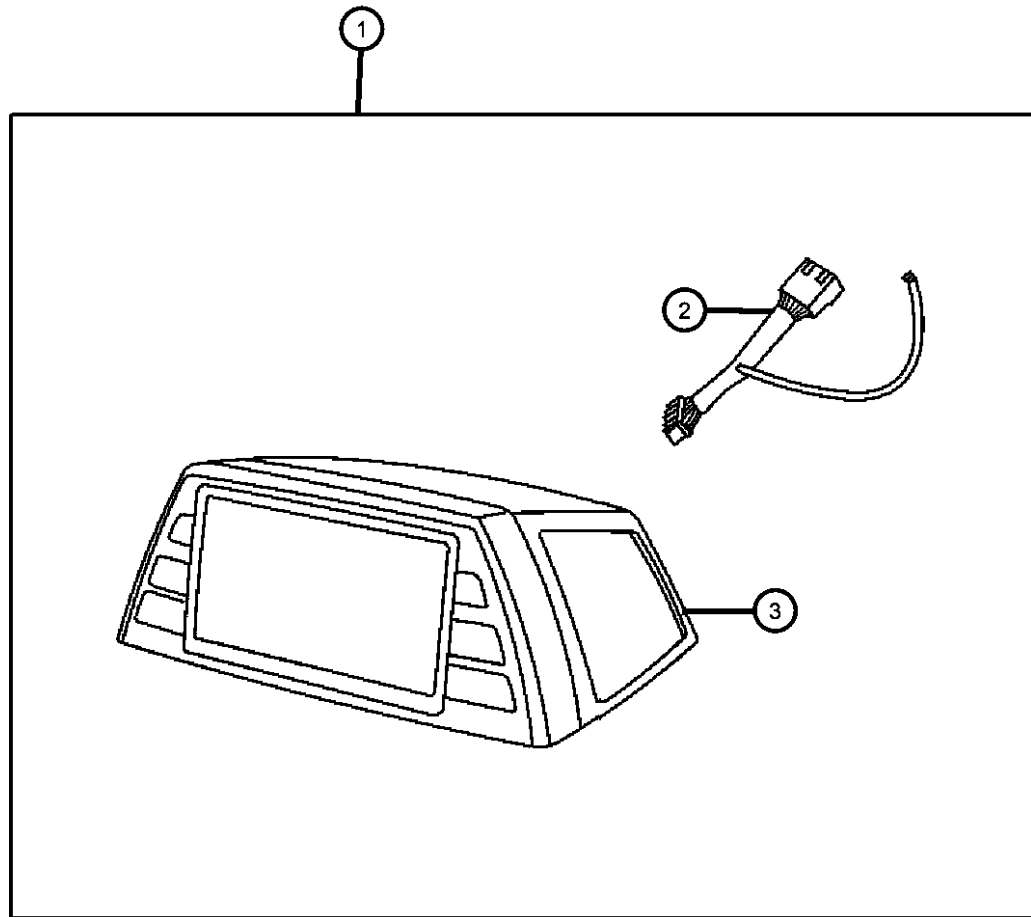
**DURANGO (HB)**

SERIES	LINE	BODY	ENGINE	TRANSMISSION
H = HIGHLINE	1 = Lt. Duty DODGE 2WD	74 = SPORT UTILITY 4-DR	EKG = 3.7L V6 Engine	DGQ = 5-Spd Automatic 545RFE
M = MEDIUM	5 = Lt. Duty DODGE 4WD	TYPE #4	EVA = 4.7L V8 MPI Engine	Transmission
P = PREMIUM			EVD = 4.7L V8 FFV Engine	DGV = 4-Spd. Automatic VLP 42RLE
			EZA = 5.7L Hemi V8 Engine	Trans
			EZB = 5.7L Hemi Multi Displacement Engine	DG6 = 4-Spd. Automatic 42RLE
				Transmission

AR = use ase required - = Non illustrated part

Navus  
Figure 1-140

ITEM	PART NUMBER	QTY	LINE	SERIES	BODY	ENGINE	TRANS	TRIM	DESCRIPTION
1	82209841	1							NAVIGATION KIT, Vehicle
2	05175003AA	1							WIRING, Navigation Display
3	05175002AA	1							MODULE, Navigation Display
-4	05175839AA	1							COVER, Radio



**DURANGO (HB)**

**SERIES**

H = HIGHLINE  
M = MEDIUM  
P = PREMIUM

**LINE**

1 = Lt. Duty DODGE 2WD  
5 = Lt. Duty DODGE 4WD

**BODY**

74 = SPORT UTILITY 4-DR  
TYPE #4

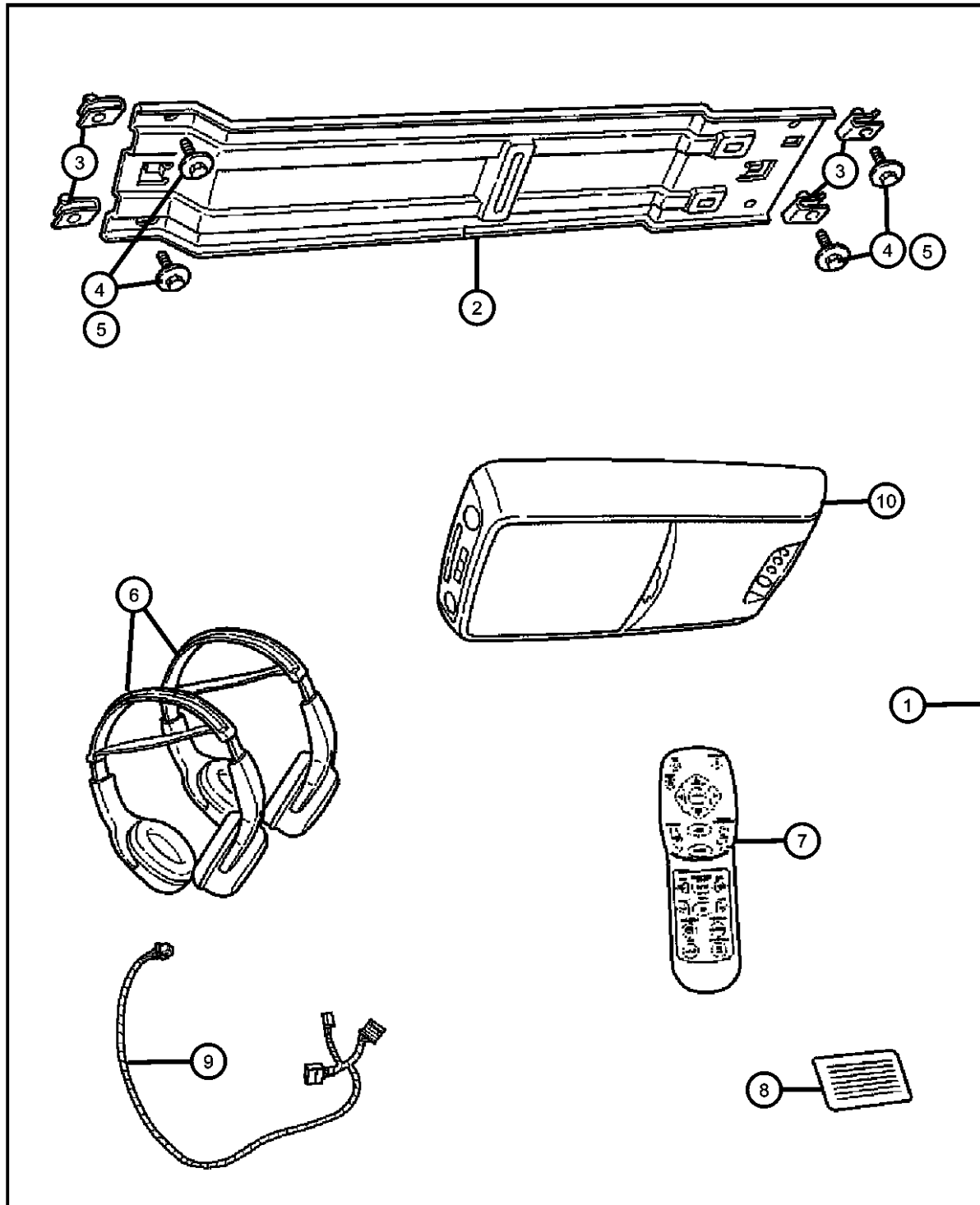
**ENGINE**

EKG = 3.7L V6 Engine  
EVA = 4.7L V8 MPI Engine  
EVD = 4.7L V8 FFV Engine  
EZA = 5.7L Hemi V8 Engine  
EZB = 5.7L Hemi Multi  
Displacement Engine

**TRANSMISSION**

DGQ = 5-Spd Automatic 545RFE  
Transmission  
DGV = 4-Spd. Automatic VLP 42RLE  
Trans  
DG6 = 4-Spd. Automatic 42RLE  
Transmission

Media System - Rear Seat Video  
Figure 1-150



ITEM	PART NUMBER	QTY	LINE	SERIES	BODY	ENGINE	TRANS	TRIM	DESCRIPTION
1	82210051	1							MEDIA SYSTEM, Monitor with DVD, [Infrared] BRACKET
2	55364088AA	1							Without Sunroof
	55364115AA	1							With Sunroof
3	06101308	1							NUT, U, M6x1.00
4	06503384	4	1, 5		74				SCREW AND WASHER, Hex Head, M5x.8x12
5	06101651	1							SCREW, Hex Head, M6x1x16
6	05064037AA	1							HEADPHONES, Wireless, [Infrared]
7	05064041AA	1							REMOTE, Wireless Infrared
8	05020533AA	1							LABEL, Mercury Warning
9	05135247AA	1							HARNESS, Wiring
10	05064049AB	1							MEDIA SYSTEM, Monitor with DVD

**DURANGO (HB)**

**SERIES**

H = HIGHLINE  
M = MEDIUM  
P = PREMIUM

**LINE**

1 = Lt. Duty DODGE 2WD  
5 = Lt. Duty DODGE 4WD

**BODY**

74 = SPORT UTILITY 4-DR TYPE #4

**ENGINE**

EKG = 3.7L V6 Engine  
EVA = 4.7L V8 MPI Engine  
EVD = 4.7L V8 FFV Engine  
EZA = 5.7L Hemi V8 Engine  
EZB = 5.7L Hemi Multi Displacement Engine

**TRANSMISSION**

DGQ = 5-Spd Automatic 545RFE Transmission  
DGV = 4-Spd. Automatic VLP 42RLE Trans  
DG6 = 4-Spd. Automatic 42RLE Transmission

AR = use ase required - = Non illustrated part

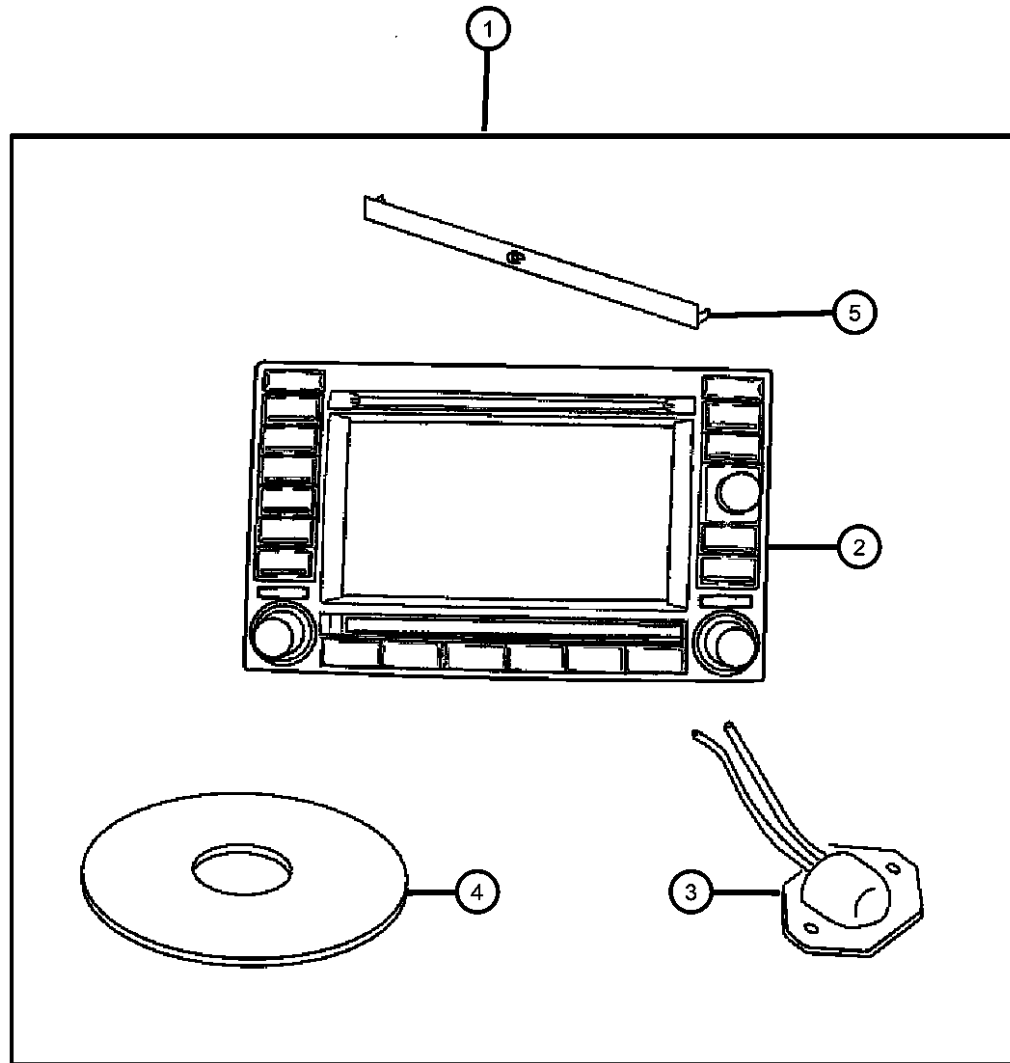
2007 HB

Navigation Kit  
Figure 1-160

ITEM	PART NUMBER	QTY	LINE	SERIES	BODY	ENGINE	TRANS	TRIM	DESCRIPTION
------	-------------	-----	------	--------	------	--------	-------	------	-------------

Note: For Warranty Repair on Item 2, Order Using Z Prefix

1	82208653AE	1							RADIO, AM/FM CD W/NAV/DVD & CD-CTRL
2	56038646AM	1							RADIO, AM/FM CD W/NAV/DVD & CD-CTRL
3	56038630AA	1							ANTENNA, GPS
4	05064033AD	1	1, 5		74				DVD, Geographic Database
5	05161571AA	1							COVER, Radio



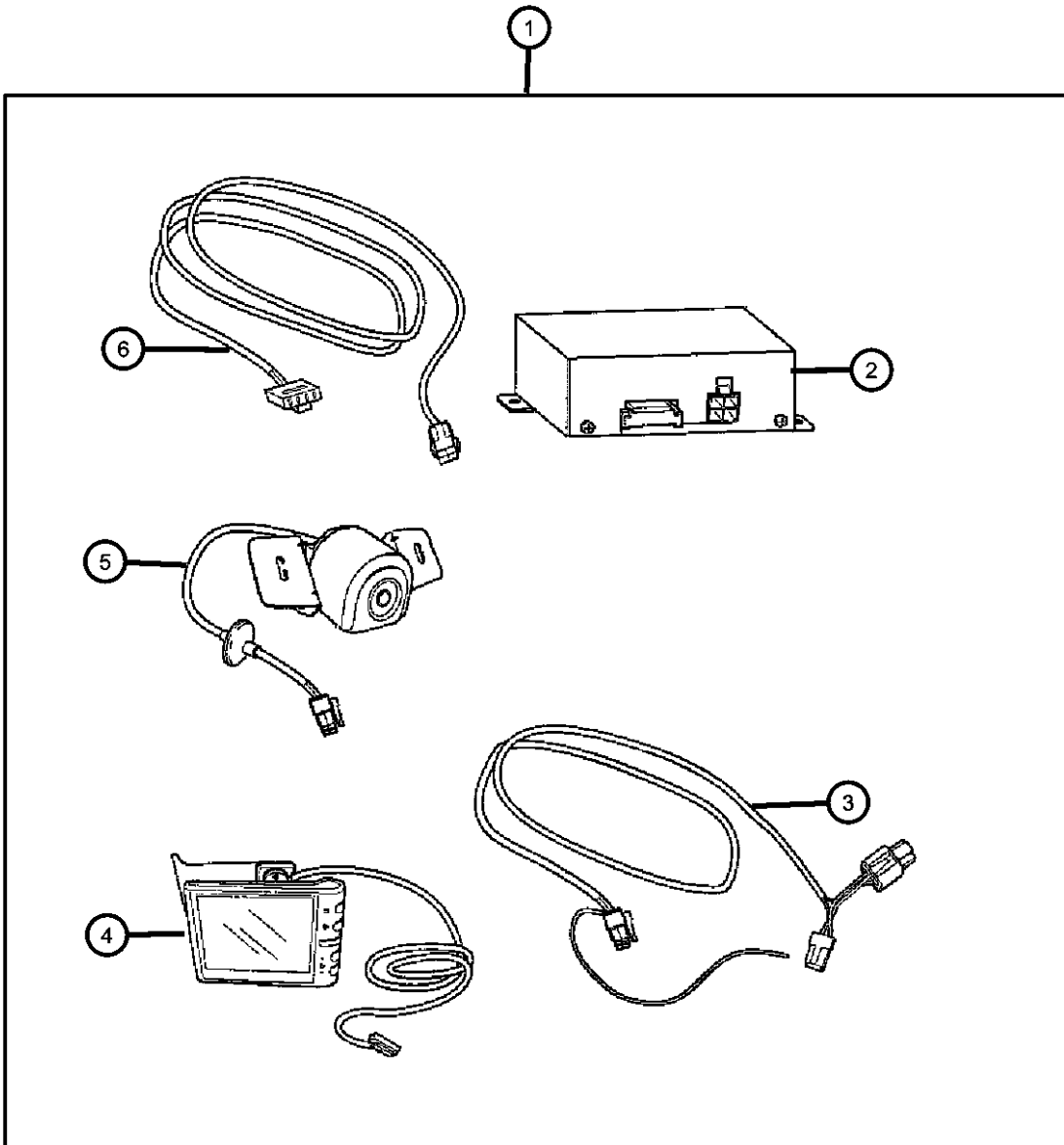
**DURANGO (HB)**

SERIES	LINE	BODY	ENGINE	TRANSMISSION
H = HIGHLINE	1 = Lt. Duty DODGE 2WD	74 = SPORT UTILITY 4-DR	EKG = 3.7L V6 Engine	DGQ = 5-Spd Automatic 545RFE
M = MEDIUM	5 = Lt. Duty DODGE 4WD	TYPE #4	EVA = 4.7L V8 MPI Engine	Transmission
P = PREMIUM			EVD = 4.7L V8 FFV Engine	DGV = 4-Spd. Automatic VLP 42RLE
			EZA = 5.7L Hemi V8 Engine	Trans
			EZB = 5.7L Hemi Multi	DG6 = 4-Spd. Automatic 42RLE
			Displacement Engine	Transmission

AR = use ase required - = Non illustrated part

2007 HB

**Backup Camera Kit  
Figure 1-170**



ITEM	PART NUMBER	QTY	LINE	SERIES	BODY	ENGINE	TRANS	TRIM	DESCRIPTION
1	82210146	1							CAMERA KIT, Back Up
2	05191903AA	1							CONTROL MODULE, Receiver
3	05191905AA	1							HARNESS, Wiring
4	05191965AA	1							MONITOR, Back Up Camera
5	05191906AA	1							CAMERA
6	05191904AA	1							HARNESS, Wiring

**DURANGO (HB)**

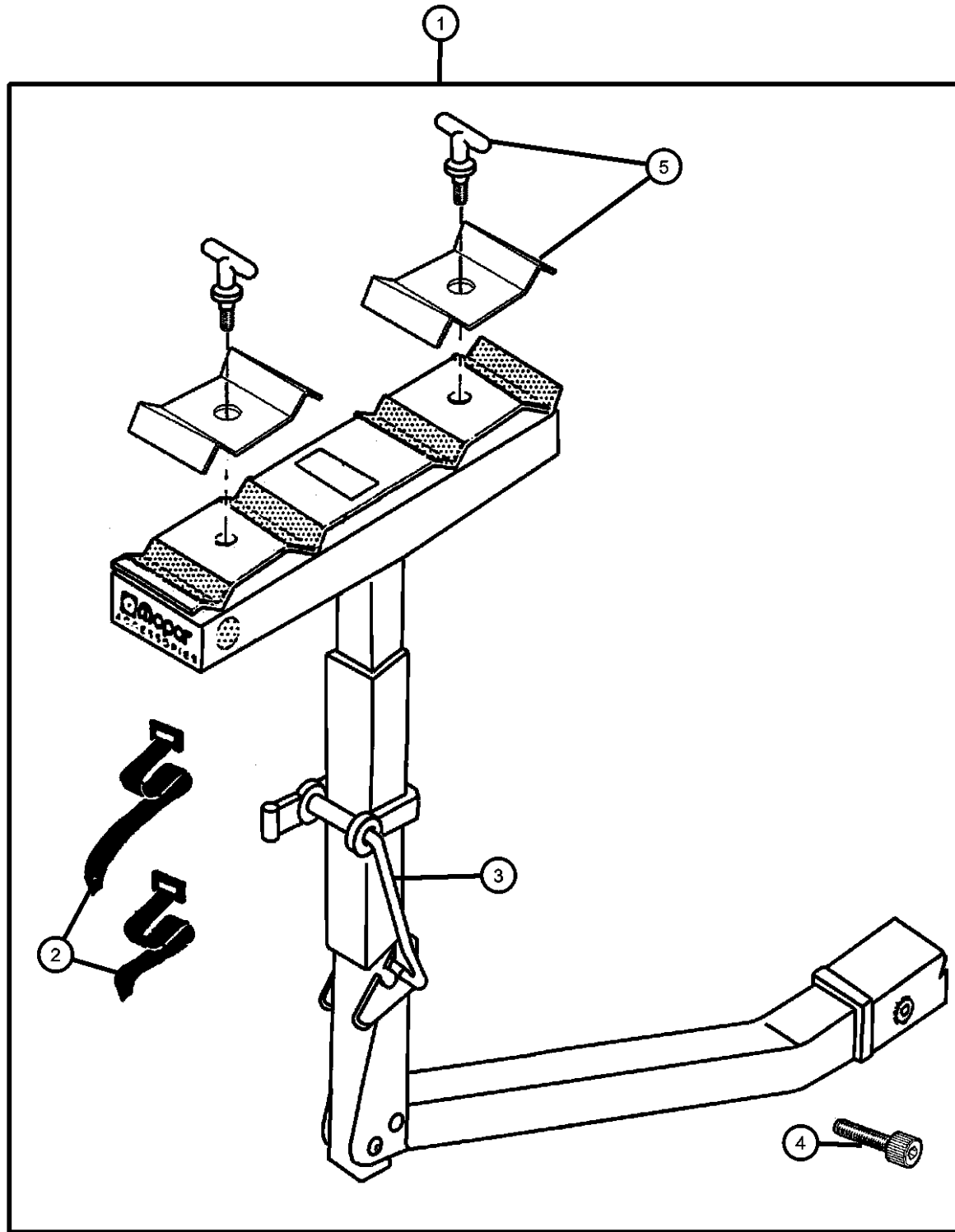
SERIES	LINE	BODY	ENGINE	TRANSMISSION
H = HIGHLINE	1 = Lt. Duty DODGE 2WD	74 = SPORT UTILITY 4-DR	EKG = 3.7L V6 Engine	DGQ = 5-Spd Automatic 545RFE
M = MEDIUM	5 = Lt. Duty DODGE 4WD	TYPE #4	EVA = 4.7L V8 MPI Engine	Transmission
P = PREMIUM			EVD = 4.7L V8 FFV Engine	DGV = 4-Spd. Automatic VLP 42RLE
			EZA = 5.7L Hemi V8 Engine	Trans
			EZB = 5.7L Hemi Multi	DG6 = 4-Spd. Automatic 42RLE
			Displacement Engine	Transmission

AR = use ase required - = Non illustrated part



**Bike Carrier - Hitch Mount Four Bikes**  
**Figure 1-210**

ITEM	PART NUMBER	QTY	LINE	SERIES	BODY	ENGINE	TRANS	TRIM	DESCRIPTION
------	-------------	-----	------	--------	------	--------	-------	------	-------------



Note; Requires 2 Inch Hitch Receiver

1	82204328	1							CARRIER KIT, Bike
2	04762880	1							STRAP KIT, Velcro
3	05016775AA	1							STRAP KIT, Bike Carrier Latch
4	05016776AA	1							BOLT KIT, Security
5	05018825AA	1							HARDWARE KIT, Bike Carrier

**DURANGO (HB)**

SERIES	LINE	BODY	ENGINE	TRANSMISSION
H = HIGHLINE	1 = Lt. Duty DODGE 2WD	74 = SPORT UTILITY 4-DR TYPE #4	EKG = 3.7L V6 Engine	DGQ = 5-Spd Automatic 545RFE Transmission
M = MEDIUM	5 = Lt. Duty DODGE 4WD		EVA = 4.7L V8 MPI Engine	DGV = 4-Spd. Automatic VLP 42RLE Trans
P = PREMIUM			EVD = 4.7L V8 FFV Engine	DG6 = 4-Spd. Automatic 42RLE Transmission
			EZA = 5.7L Hemi V8 Engine	
			EZB = 5.7L Hemi Multi Displacement Engine	

AR = use ase required - = Non illustrated part

2007 HB

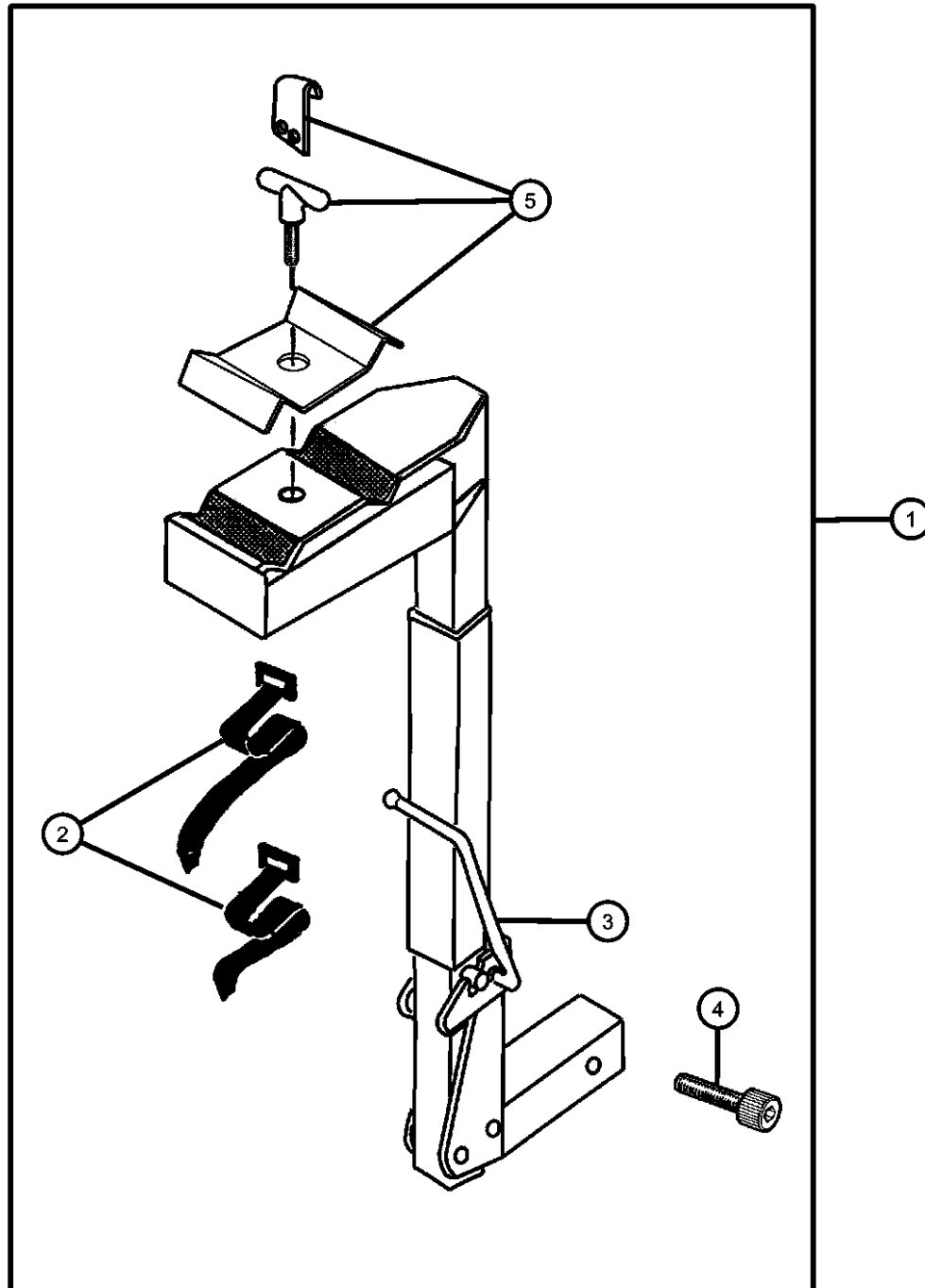
**Bike Carrier, Hitch Mount Two Bikes**  
**Figure 1-215**

ITEM	PART NUMBER	QTY	LINE	SERIES	BODY	ENGINE	TRANS	TRIM	DESCRIPTION
------	-------------	-----	------	--------	------	--------	-------	------	-------------

Note; Requires 2 Inch Hitch Receiver

1	82204453	1							CARRIER KIT, Bike
2	04762880	1							STRAP KIT, Velcro
3	05016775AA	1							STRAP KIT, Bike Carrier Latch
4	05016776AA	1							BOLT KIT, Security
5	05018825AA	1							HARDWARE KIT, Bike Carrier, Contains: T-Handle,Lock Strap,Top Clamp Assy,Nylon Washer

CARRIER KIT, Bike  
 STRAP KIT, Velcro  
 STRAP KIT, Bike Carrier Latch  
 BOLT KIT, Security  
 HARDWARE KIT, Bike Carrier,  
 Contains: T-Handle,Lock Strap,Top  
 Clamp Assy,Nylon Washer



**DURANGO (HB)**

SERIES	LINE
H = HIGHLINE	1 = Lt. Duty DODGE 2WD
M = MEDIUM	5 = Lt. Duty DODGE 4WD
P = PREMIUM	

BODY
74 = SPORT UTILITY 4-DR TYPE #4

ENGINE
EKG = 3.7L V6 Engine
EVA = 4.7L V8 MPI Engine
EVD = 4.7L V8 FFV Engine
EZA = 5.7L Hemi V8 Engine
EZB = 5.7L Hemi Multi Displacement Engine

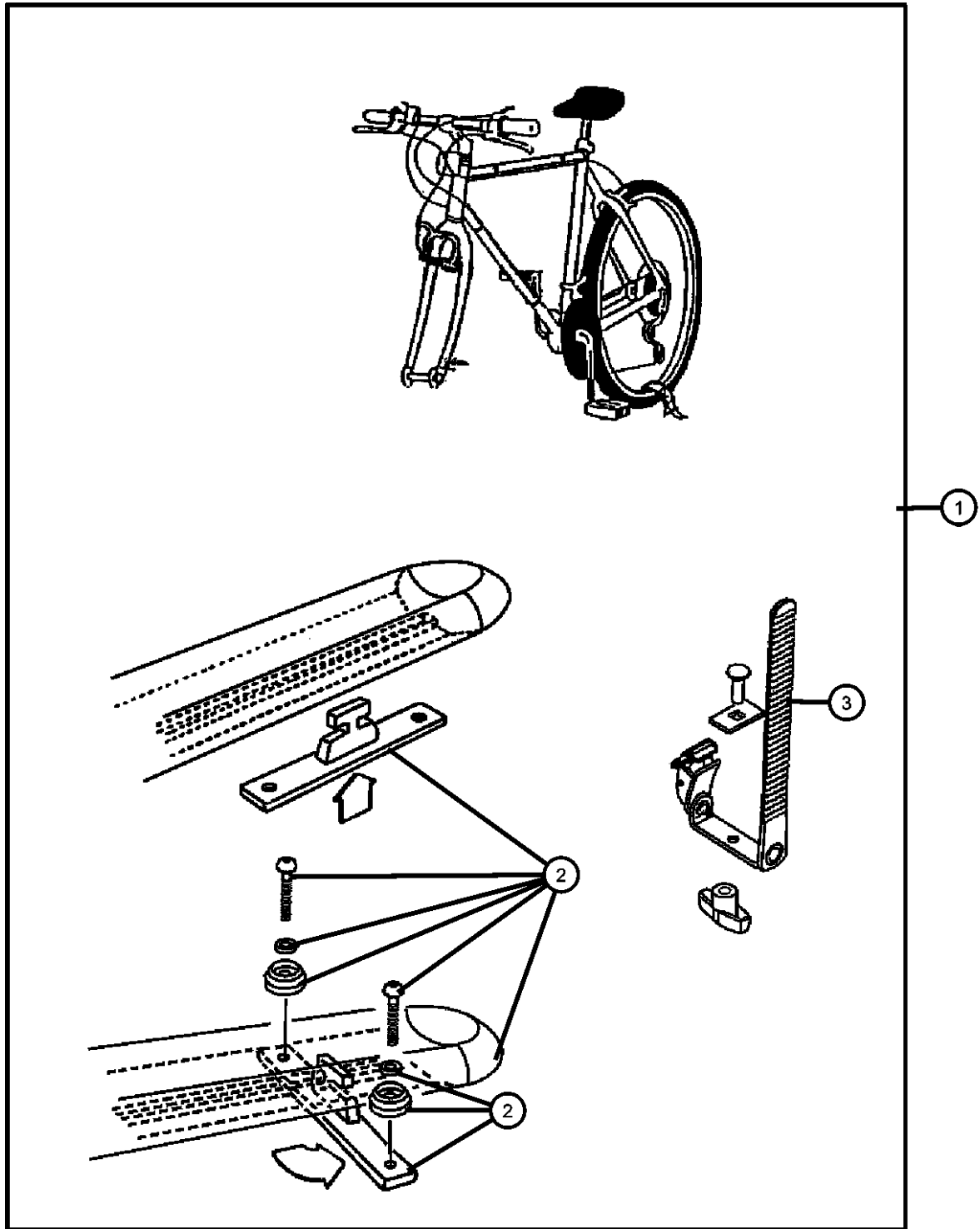
TRANSMISSION
DGQ = 5-Spd Automatic 545RFE Transmission
DGV = 4-Spd. Automatic VLP 42RLE Trans
DG6 = 4-Spd. Automatic 42RLE Transmission

AR = use ase required - = Non illustrated part

2007 HB

**Bike Carrier - Roof Mount- Fork  
Figure 1-220**

ITEM	PART NUMBER	QTY	LINE	SERIES	BODY	ENGINE	TRANS	TRIM	DESCRIPTION
1	82207943	1							CARRIER KIT, Bike, Fork - Mount
2	05093779AA	1							HARDWARE KIT, Accessory, Contains: 2-T-Slot Anchors,1-T-Slot Bar Rear,4-Button Head Screws,2-Lockwashers,4-Round Dome Washers
3	05114532AA	1							STRAP, Cargo Tie Down



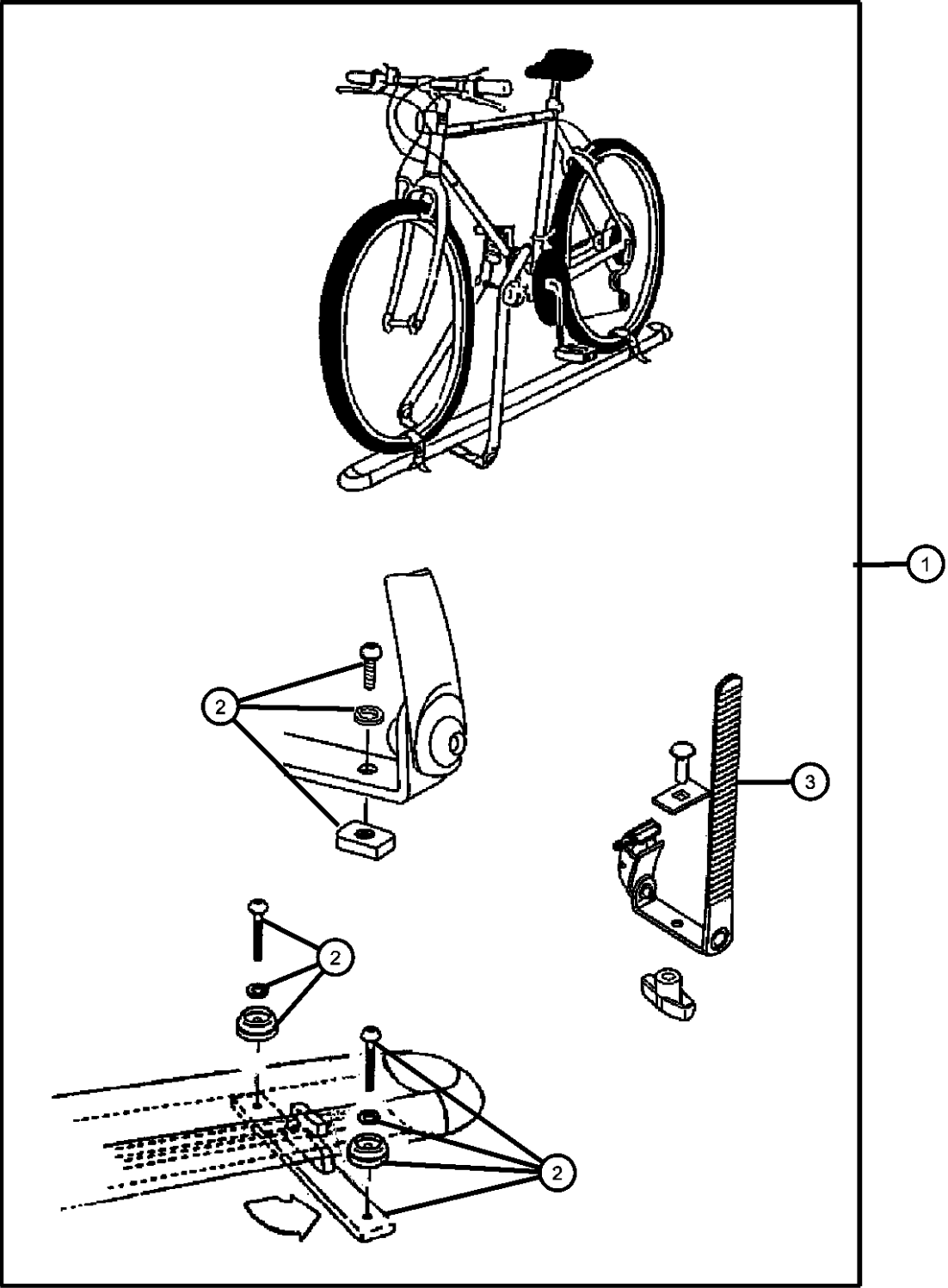
**DURANGO (HB)**

SERIES	LINE	BODY	ENGINE	TRANSMISSION
H = HIGHLINE	1 = Lt. Duty DODGE 2WD	74 = SPORT UTILITY 4-DR TYPE #4	EKG = 3.7L V6 Engine	DGQ = 5-Spd Automatic 545RFE Transmission
M = MEDIUM	5 = Lt. Duty DODGE 4WD		EVA = 4.7L V8 MPI Engine	DGV = 4-Spd. Automatic VLP 42RLE Trans
P = PREMIUM			EVD = 4.7L V8 FFV Engine	DG6 = 4-Spd. Automatic 42RLE Transmission
			EZA = 5.7L Hemi V8 Engine	
			EZB = 5.7L Hemi Multi Displacement Engine	

AR = use ase required - = Non illustrated part

**Bike Carrier- Roof Mount -Upright**  
**Figure 1-225**

ITEM	PART NUMBER	QTY	LINE	SERIES	BODY	ENGINE	TRANS	TRIM	DESCRIPTION
1	82207942	1							CARRIER KIT, Bike, Upright - Mount
2	05093779AA	1							HARDWARE KIT, Accessory, Contains: 2-T-Slot Anchors,1-Rear T-Slot Bar,4-Button Head Screws,2-Lockwashers,4-Round Dome Washers
3	05114532AA	1							STRAP, Cargo Tie Down

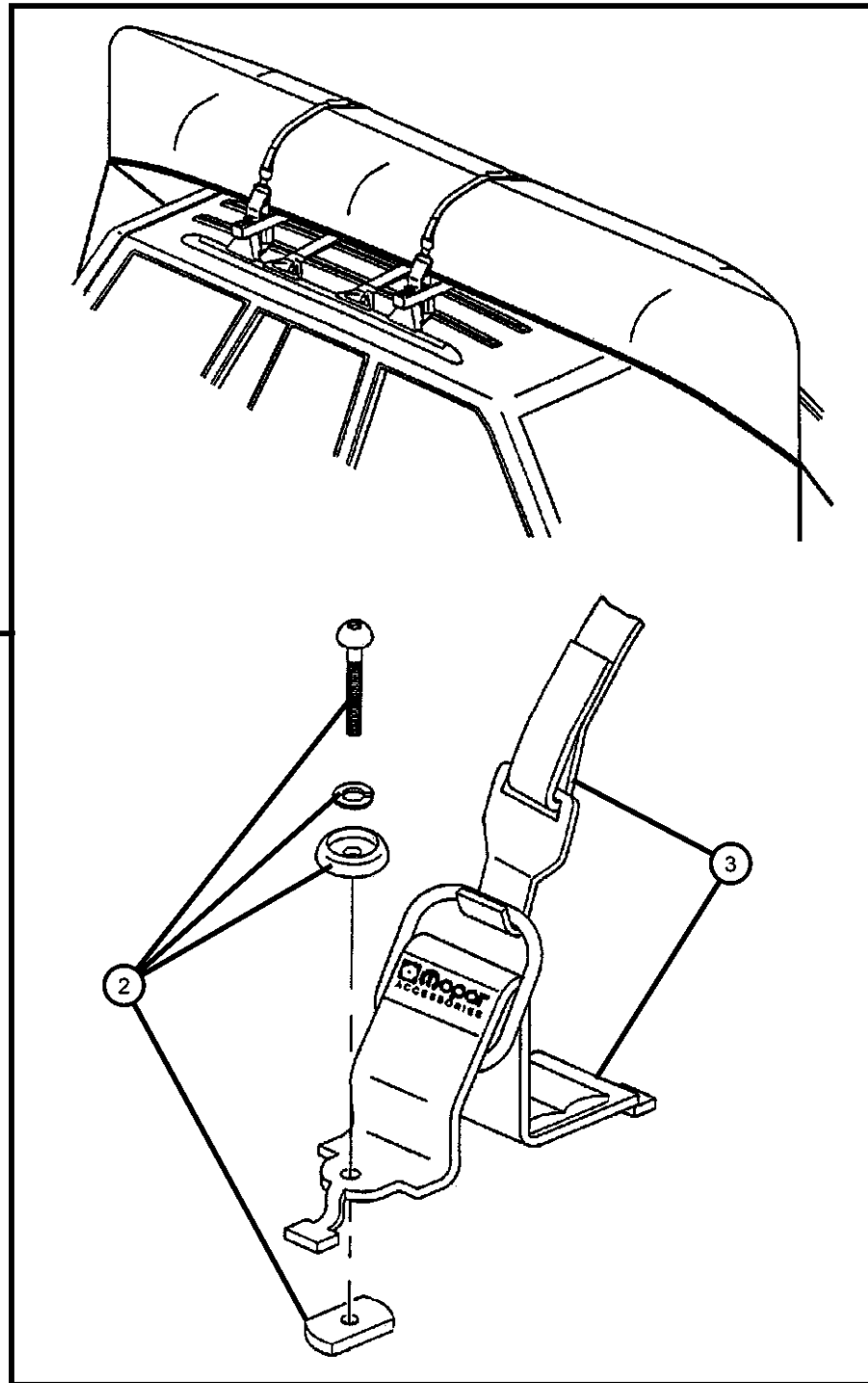


<b>DURANGO (HB)</b>				
SERIES	LINE	BODY	ENGINE	TRANSMISSION
H = HIGHLINE	1 = Lt. Duty DODGE 2WD	74 = SPORT UTILITY 4-DR TYPE #4	EKG = 3.7L V6 Engine	DGQ = 5-Spd Automatic 545RFE Transmission
M = MEDIUM	5 = Lt. Duty DODGE 4WD		EVA = 4.7L V8 MPI Engine	DGV = 4-Spd. Automatic VLP 42RLE Trans
P = PREMIUM			EVD = 4.7L V8 FFV Engine	DG6 = 4-Spd. Automatic 42RLE Transmission
			EZA = 5.7L Hemi V8 Engine	
			EZB = 5.7L Hemi Multi Displacement Engine	

AR = use ase required - = Non illustrated part

Carrier Kit - Canoe  
Figure 1-230

ITEM	PART NUMBER	QTY	LINE	SERIES	BODY	ENGINE	TRANS	TRIM	DESCRIPTION
------	-------------	-----	------	--------	------	--------	-------	------	-------------



Note; Requires Sport Utility Bar

1	82204700	1							
2	05016389AA	1							
3	05016511AA	1							

CARRIER KIT, Canoe  
HARDWARE KIT, Accessory,  
Contains: 4-25MM Button  
Head Screws,4-30MM Button  
Head Screws,4-Lockwashers,  
4-Dome Washer, 4-Rubber  
Washers,4-T-Nuts  
STRAP, Cargo Tie Down

**DURANGO (HB)**

SERIES LINE

H = HIGHLINE 1 = Lt. Duty DODGE 2WD  
M = MEDIUM 5 = Lt. Duty DODGE 4WD  
P = PREMIUM

BODY

74 = SPORT UTILITY 4-DR  
TYPE #4

ENGINE

EKG = 3.7L V6 Engine  
EVA = 4.7L V8 MPI Engine  
EVD = 4.7L V8 FFV Engine  
EZA = 5.7L Hemi V8 Engine  
EZB = 5.7L Hemi Multi  
Displacement Engine

TRANSMISSION

DGQ = 5-Spd Automatic 545RFE  
Transmission  
DGV = 4-Spd. Automatic VLP 42RLE  
Trans  
DG6 = 4-Spd. Automatic 42RLE  
Transmission

AR = use ase required - = Non illustrated part

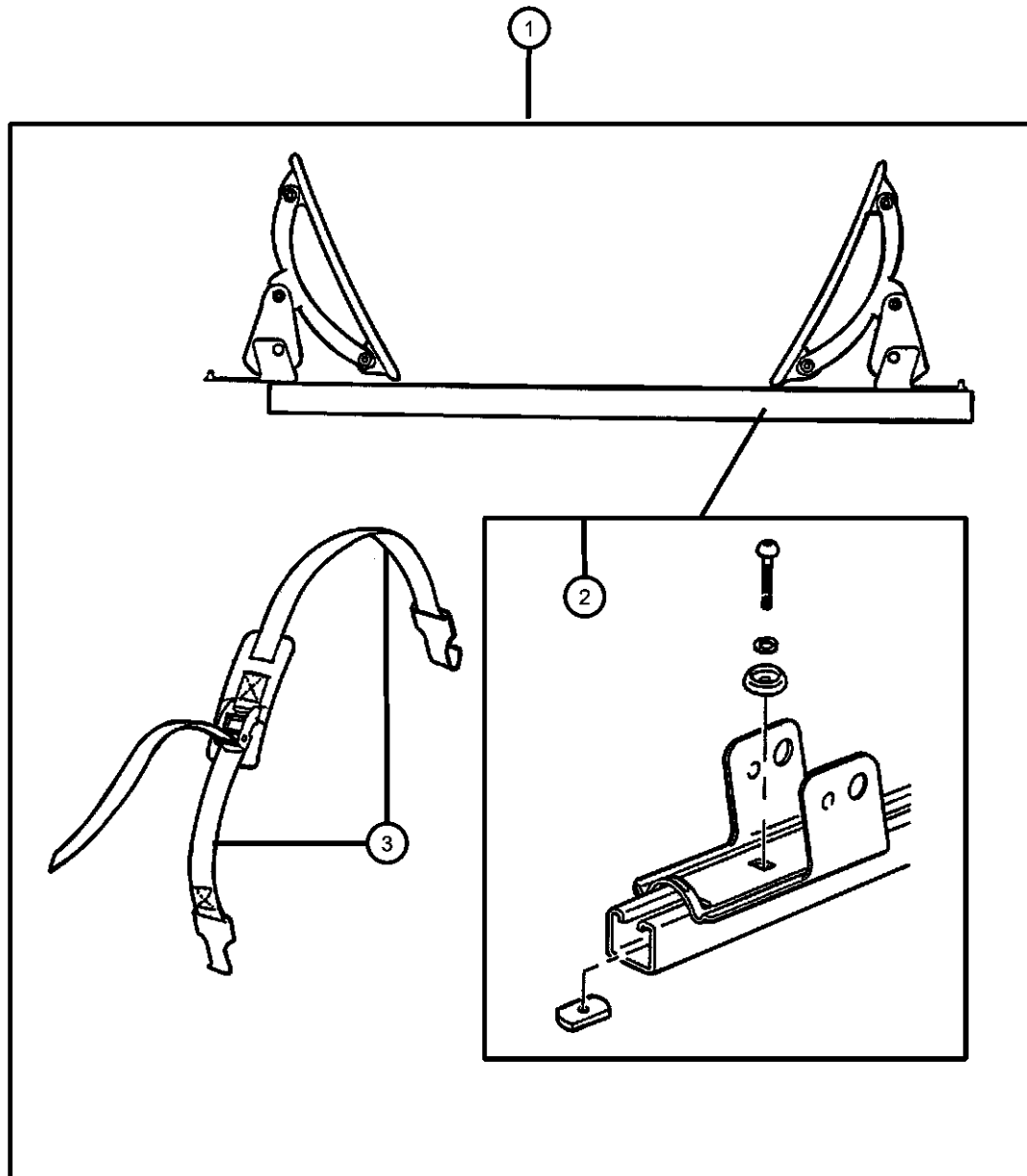
2007 HB

**Carrier Kit - Watersports  
Figure 1-232**

ITEM	PART NUMBER	QTY	LINE	SERIES	BODY	ENGINE	TRANS	TRIM	DESCRIPTION
------	-------------	-----	------	--------	------	--------	-------	------	-------------

Note; Requires T-Slot Crossbar

1	82205416	1							CARRIER KIT, Water Sports, Kayak, Surfboard, Sail Board HARDWARE KIT, Accessory, Consists of : 4-25MM Button Head Screws, 4-30MM Button Head Screws, 4-Lock Washers, 4- Dome Washers, 4- Rubber Washers and 4-T-Nuts STRAP, Cargo Tie Down
2	05016389AA	1							
3	05016511AA	1							



**DURANGO (HB)**

SERIES	LINE
H = HIGHLINE	1 = Lt. Duty DODGE 2WD
M = MEDIUM	5 = Lt. Duty DODGE 4WD
P = PREMIUM	

BODY
74 = SPORT UTILITY 4-DR TYPE #4

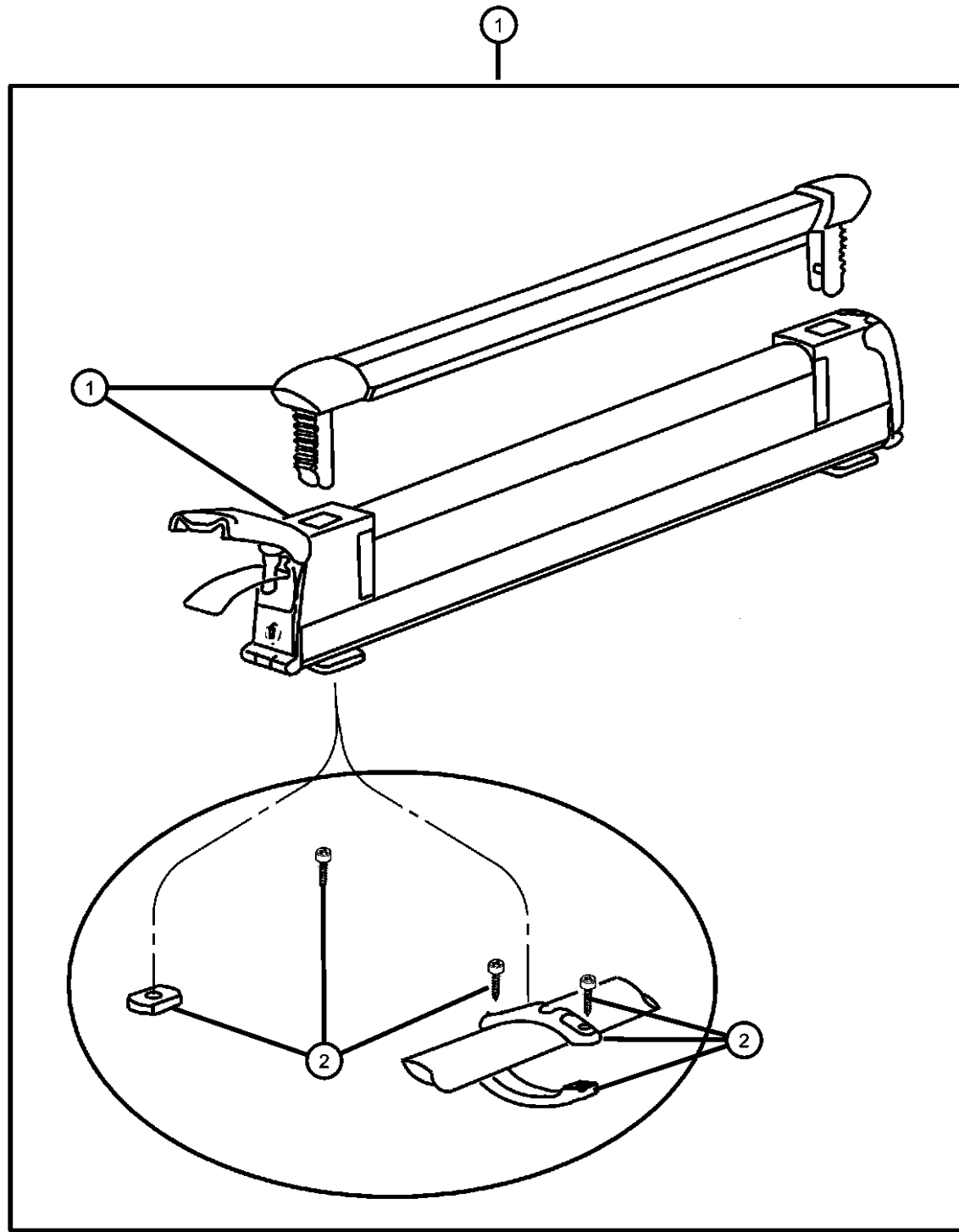
ENGINE
EKG = 3.7L V6 Engine
EVA = 4.7L V8 MPI Engine
EVD = 4.7L V8 FFV Engine
EZA = 5.7L Hemi V8 Engine
EZB = 5.7L Hemi Multi Displacement Engine

TRANSMISSION
DGQ = 5-Spd Automatic 545RFE Transmission
DGV = 4-Spd. Automatic VLP 42RLE Trans
DG6 = 4-Spd. Automatic 42RLE Transmission

AR = use ase required - = Non illustrated part

2007 HB

Carrier Kit, Snowboard or Ski  
Figure 1-235



ITEM	PART NUMBER	QTY	LINE	SERIES	BODY	ENGINE	TRANS	TRIM	DESCRIPTION
1	82207308	1							CARRIER KIT, Ski
	82207312	1							6 Pair Skis or 4 Snowboards
									3 Pair Skis or 2 Snowboards
2	05086158AA	1							HARDWARE KIT, Accessory, Contains: 4-25MM Screws,4- 16MM Screws,4-20MM Screws,4-Lock Washers,4-Flat Washers,4-T-Plates & 4-Rubber Washers
-3	05066632AA	1							TOOL, Screw Driver

**DURANGO (HB)**

SERIES	LINE	BODY	ENGINE	TRANSMISSION
H = HIGHLINE	1 = Lt. Duty DODGE 2WD	74 = SPORT UTILITY 4-DR TYPE #4	EKG = 3.7L V6 Engine	DGQ = 5-Spd Automatic 545RFE Transmission
M = MEDIUM	5 = Lt. Duty DODGE 4WD		EVA = 4.7L V8 MPI Engine	DGV = 4-Spd. Automatic VLP 42RLE Trans
P = PREMIUM			EVD = 4.7L V8 FFV Engine	DG6 = 4-Spd. Automatic 42RLE Transmission
			EZA = 5.7L Hemi V8 Engine	
			EZB = 5.7L Hemi Multi Displacement Engine	

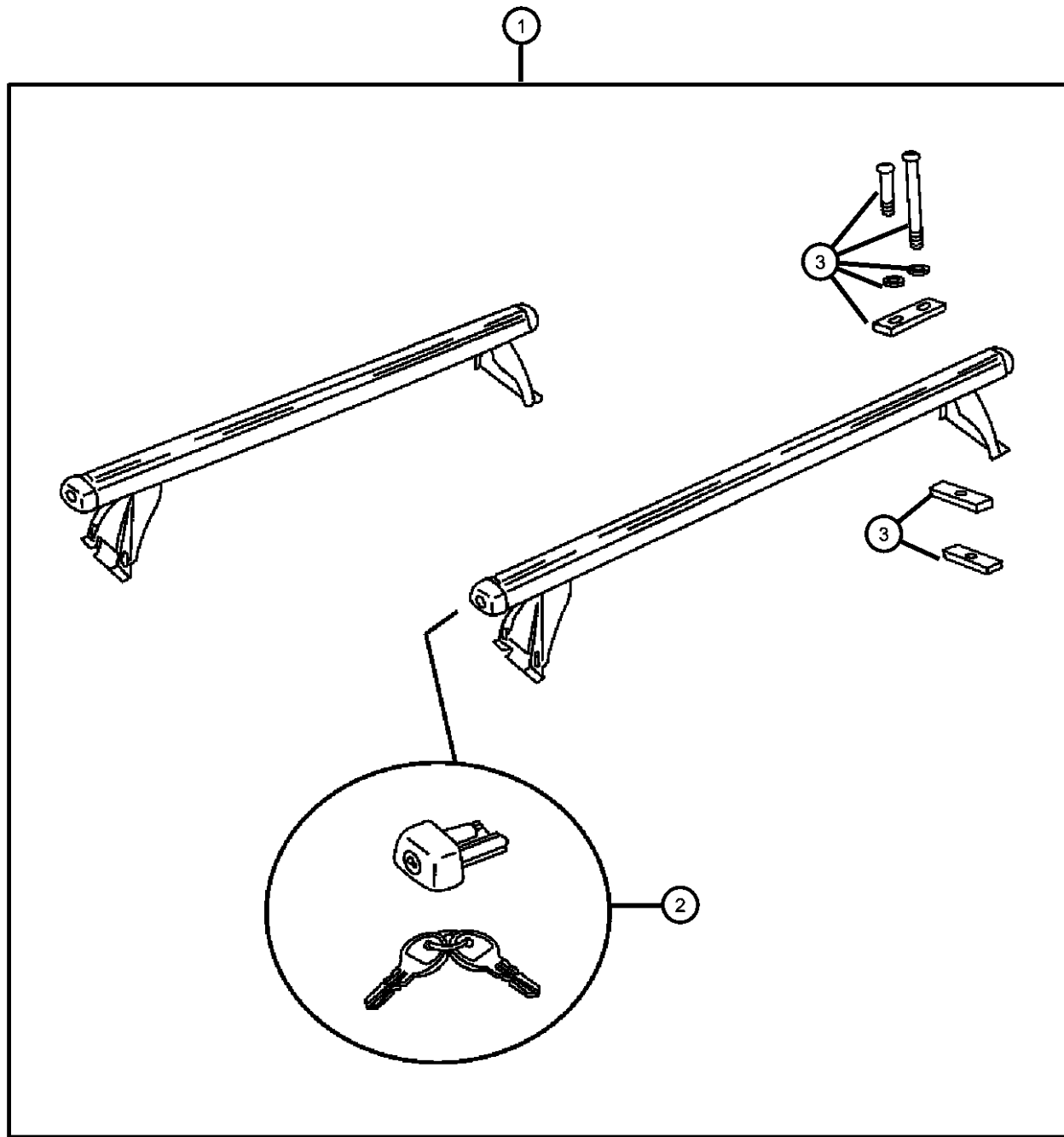
AR = use ase required - = Non illustrated part

**Rack Kit - Multipurpose**  
**Figure 1-238**

ITEM	PART NUMBER	QTY	LINE	SERIES	BODY	ENGINE	TRANS	TRIM	DESCRIPTION
------	-------------	-----	------	--------	------	--------	-------	------	-------------

Note; Requires Roof Rack

1	82208282AC	1							RACK KIT, Multipurpose
2	05072276AA	1							END CAP, Roof Rack Side Rail
3	05066452AA	1							HARDWARE KIT, ROOF RACK
-4	05066632AA	1							TOOL, Screw Driver



**DURANGO (HB)**

SERIES	LINE	BODY	ENGINE	TRANSMISSION
H = HIGHLINE	1 = Lt. Duty DODGE 2WD	74 = SPORT UTILITY 4-DR	EKG = 3.7L V6 Engine	DGQ = 5-Spd Automatic 545RFE
M = MEDIUM	5 = Lt. Duty DODGE 4WD	TYPE #4	EVA = 4.7L V8 MPI Engine	Transmission
P = PREMIUM			EVD = 4.7L V8 FFV Engine	DGV = 4-Spd. Automatic VLP 42RLE
			EZA = 5.7L Hemi V8 Engine	Trans
			EZB = 5.7L Hemi Multi Displacement Engine	DG6 = 4-Spd. Automatic 42RLE
				Transmission

AR = use ase required - = Non illustrated part

2007 HB



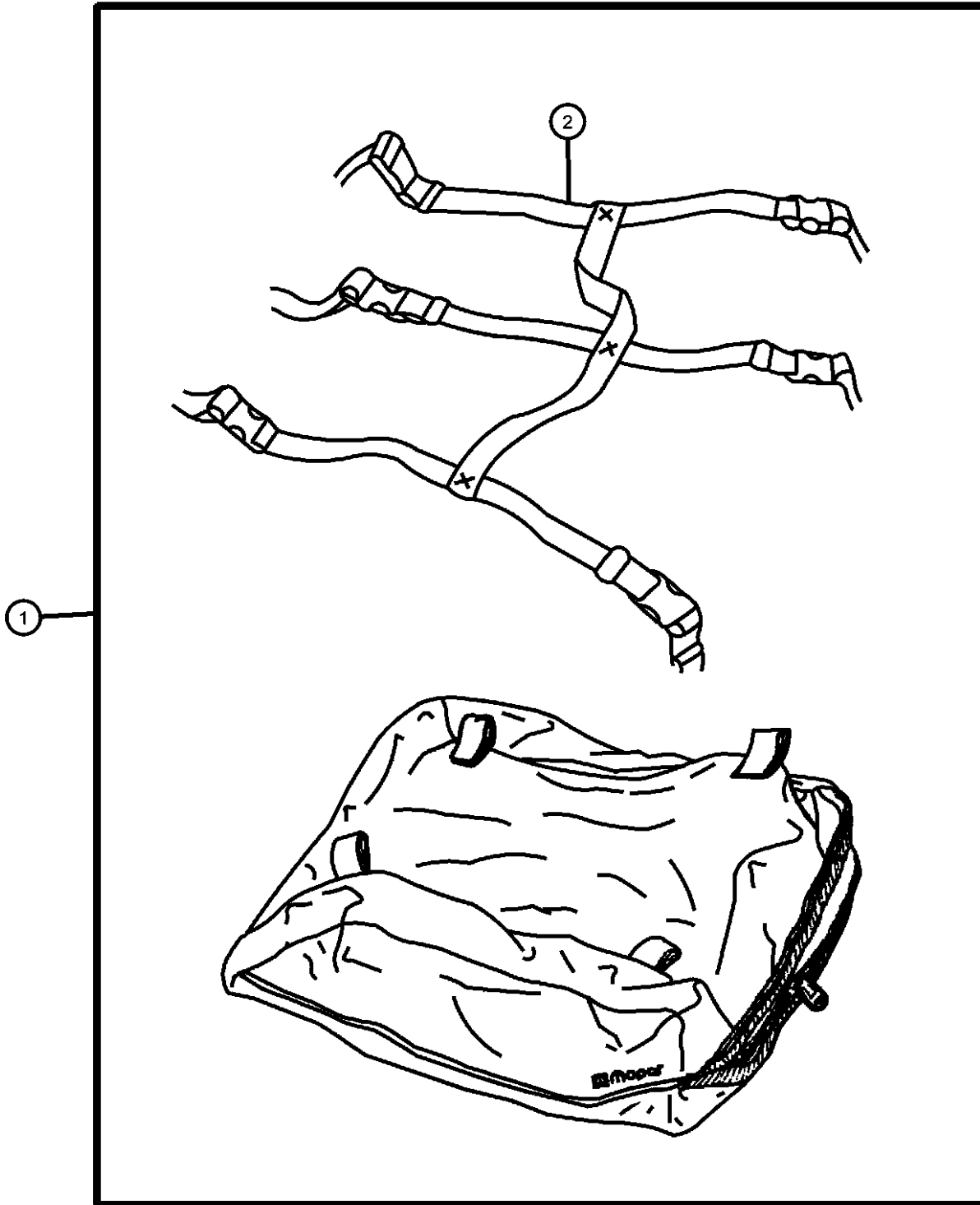
Luggage Carrier Roof Vinyl  
Figure 1-264

ITEM	PART NUMBER	QTY	LINE	SERIES	BODY	ENGINE	TRANS	TRIM	DESCRIPTION
------	-------------	-----	------	--------	------	--------	-------	------	-------------

NOTE: Requires Roof Rack.

1	82207198	1							CARRIER KIT, Luggage
2	05066332AA	1							STRAP KIT, Luggage Carrier

CARRIER KIT, Luggage  
STRAP KIT, Luggage Carrier



DURANGO (HB)

SERIES      LINE  
H = HIGHLINE    1 = Lt. Duty DODGE 2WD  
M = MEDIUM    5 = Lt. Duty DODGE 4WD  
P = PREMIUM

BODY  
74 = SPORT UTILITY 4-DR  
TYPE #4

ENGINE  
EKG = 3.7L V6 Engine  
EVA = 4.7L V8 MPI Engine  
EVD = 4.7L V8 FFV Engine  
EZA = 5.7L Hemi V8 Engine  
EZB = 5.7L Hemi Multi  
Displacement Engine

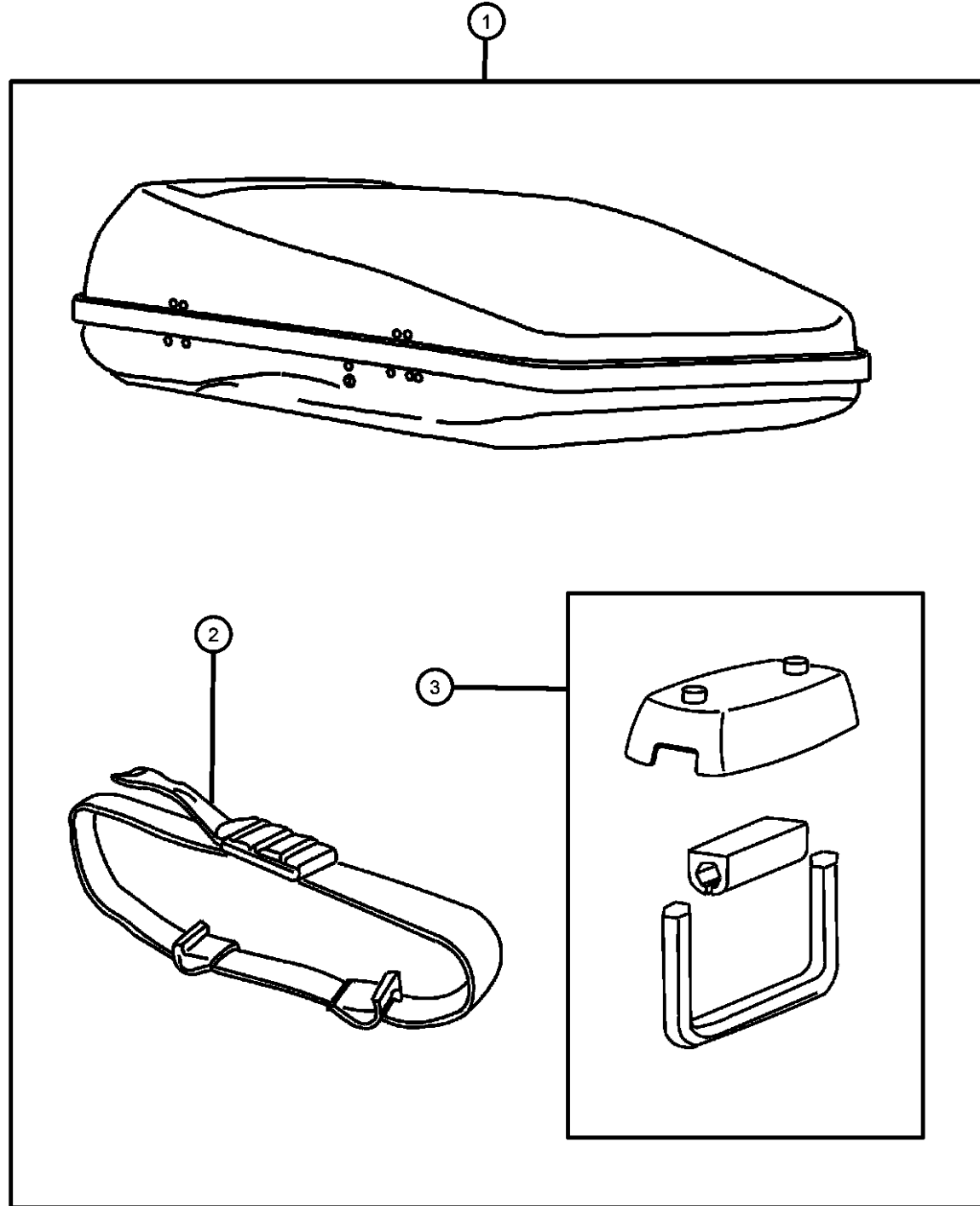
TRANSMISSION  
DGQ = 5-Spd Automatic 545RFE  
Transmission  
DGV = 4-Spd. Automatic VLP 42RLE  
Trans  
DG6 = 4-Spd. Automatic 42RLE  
Transmission

AR = use ase required - = Non illustrated part

2007 HB

Carrier Kit / Luggage  
Figure 1-266

ITEM	PART NUMBER	QTY	LINE	SERIES	BODY	ENGINE	TRANS	TRIM	DESCRIPTION
------	-------------	-----	------	--------	------	--------	-------	------	-------------



Note; Requires Roof Rack

1	82207341AB	1							CARRIER KIT, Luggage 480 Liter Capacity
	82207353AB	1							440 Liter Capacity
2	05086160AA	1							STRAP, Cargo Tie Down
3	05086159AA	1							HARDWARE KIT, Contains: 4-U Bolts, 4 Covers & 4-Protective Sleeves

**DURANGO (HB)**

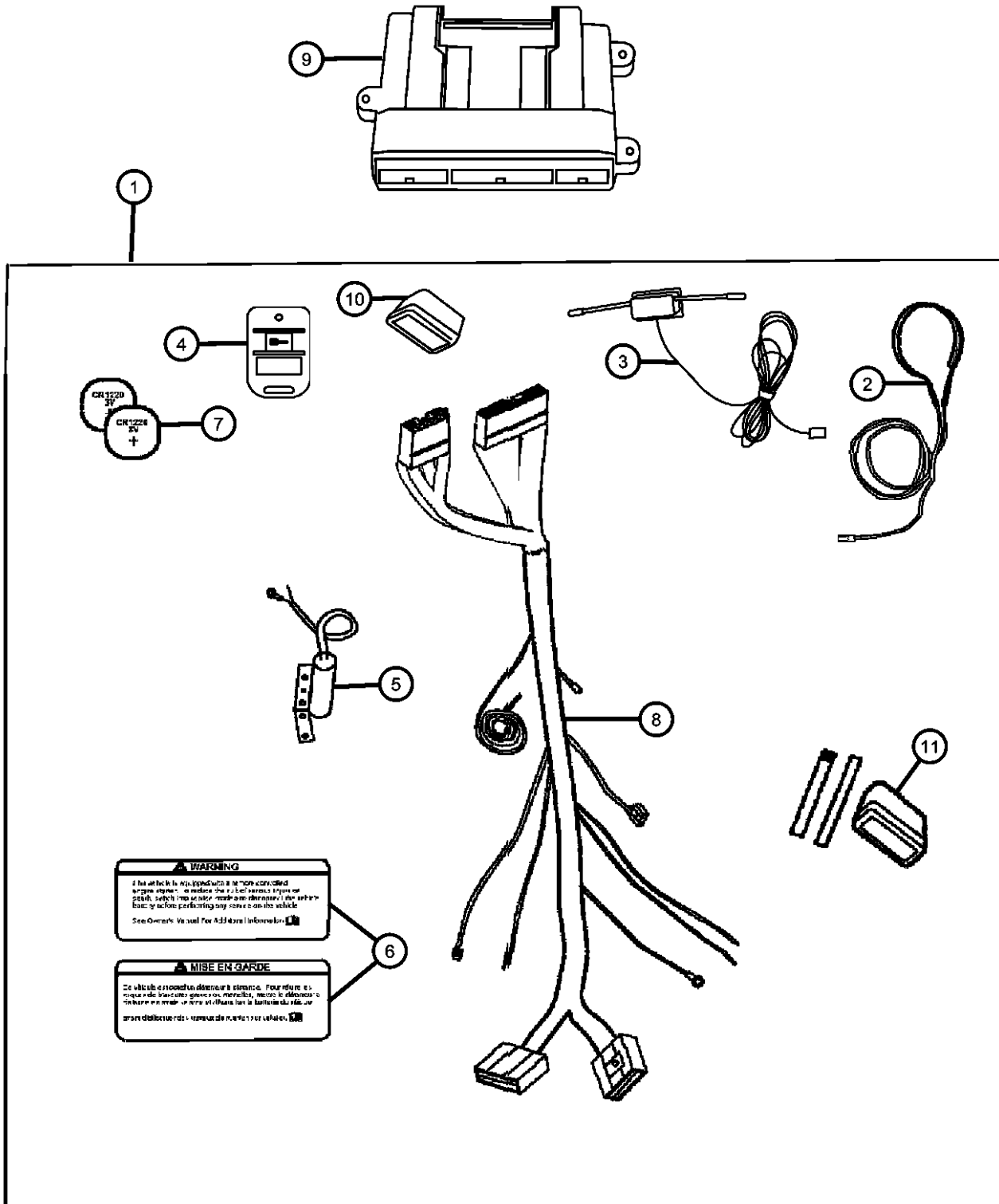
SERIES	LINE	BODY	ENGINE	TRANSMISSION
H = HIGHLINE	1 = Lt. Duty DODGE 2WD	74 = SPORT UTILITY 4-DR TYPE #4	EKG = 3.7L V6 Engine	DGQ = 5-Spd Automatic 545RFE Transmission
M = MEDIUM	5 = Lt. Duty DODGE 4WD		EVA = 4.7L V8 MPI Engine	DGV = 4-Spd. Automatic VLP 42RLE Trans
P = PREMIUM			EVD = 4.7L V8 FFV Engine	DG6 = 4-Spd. Automatic 42RLE Transmission
			EZA = 5.7L Hemi V8 Engine	
			EZB = 5.7L Hemi Multi Displacement Engine	

AR = use ase required - = Non illustrated part

2007 HB

Remote Start  
Figure 1-310

ITEM	PART NUMBER	QTY	LINE	SERIES	BODY	ENGINE	TRANS	TRIM	DESCRIPTION
NOTE: Module (Item # 9) not included in install kit, need to order separately.									
1	82210224AG	1			74				INSTALL KIT, REMOTE START
2	05140470AA	1			74				ANTENNA
3	05140471AA	1			74				ANTENNA
4	05140472AA	1			74				TRANSMITTER
5	68001331AA	1			74				SWITCH
6	05140474AA	1			74				LABEL
7	05140773AA	1			74				BATTERY, Transmitter, Contains: 12 Replacement Batteries
8	68021168AA	1			74				HARNESS, Wiring
9	82208859AB	1							MODULE KIT, REMOTE START
10	68021198AA	1			74				MODULE, Remote Start
11	05140468AA	1			74				MODULE



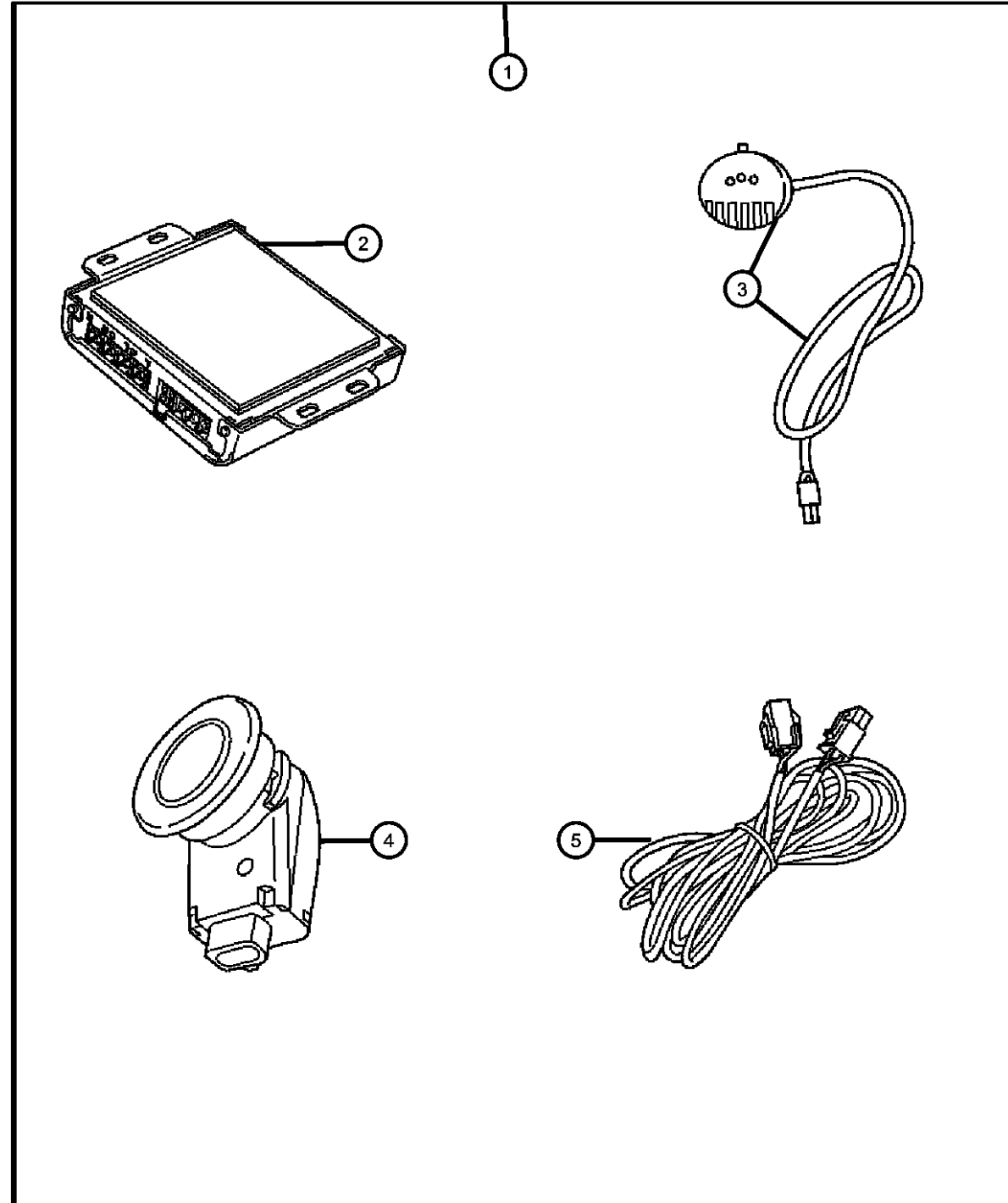
DURANGO (HB)

SERIES	LINE	BODY	ENGINE	TRANSMISSION
H = HIGHLINE	1 = Lt. Duty DODGE 2WD	74 = SPORT UTILITY 4-DR	EKG = 3.7L V6 Engine	DGQ = 5-Spd Automatic 545RFE
M = MEDIUM	5 = Lt. Duty DODGE 4WD	TYPE #4	EVA = 4.7L V8 MPI Engine	Transmission
P = PREMIUM			EVD = 4.7L V8 FFV Engine	DGV = 4-Spd. Automatic VLP 42RLE
			EZA = 5.7L Hemi V8 Engine	Trans
			EZB = 5.7L Hemi Multi Displacement Engine	DG6 = 4-Spd. Automatic 42RLE Transmission

AR = use ase required - = Non illustrated part

2007 HB

Sensor Package Park/Distance  
Figure 1-320



ITEM	PART NUMBER	QTY	LINE	SERIES	BODY	ENGINE	TRANS	TRIM	DESCRIPTION
1	82208246AC	1							SENSOR KIT, Park Distance
2	05137541AA	1							MODULE, Parking Assist
3	05137539AA	1							DISPLAY, Parking Assist
4	05137536AA	1							SENSOR
5	05137540AA	1							WIRING, Distance Sensor

DURANGO (HB)

SERIES

H = HIGHLINE  
M = MEDIUM  
P = PREMIUM

LINE

1 = Lt. Duty DODGE 2WD  
5 = Lt. Duty DODGE 4WD

BODY

74 = SPORT UTILITY 4-DR  
TYPE #4

ENGINE

EKG = 3.7L V6 Engine  
EVA = 4.7L V8 MPI Engine  
EVD = 4.7L V8 FFV Engine  
EZA = 5.7L Hemi V8 Engine  
EZB = 5.7L Hemi Multi  
Displacement Engine

TRANSMISSION

DGQ = 5-Spd Automatic 545RFE  
Transmission  
DGV = 4-Spd. Automatic VLP 42RLE  
Trans  
DG6 = 4-Spd. Automatic 42RLE  
Transmission

AR = use ase required - = Non illustrated part

2007 HB