

VIN PLATE DECODING INFORMATION

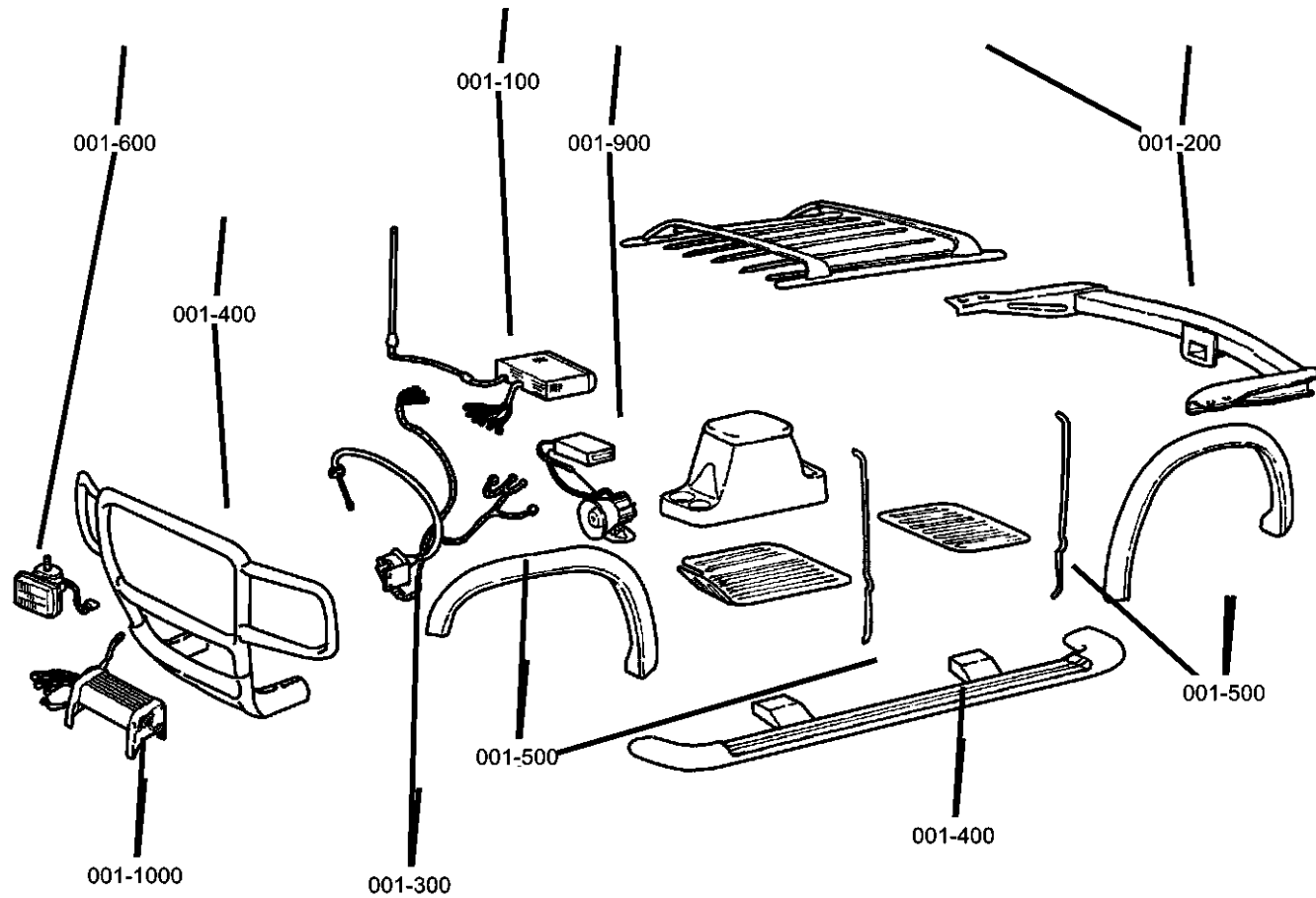
1	2	3	4	5	6	7	8	9	10	11	12 thru 17
Country	Make	Vehicle Type	Other	Line	Series	Body Style	Engine	Check Digit	Model Year	Assy. Plant	Sequence No.

The following table interprets the VIN Plate position shown above.

Position	Interpretation	Codes = Description
1	Country of Origin	2 = Built in U.S. by DaimlerChrysler Corporation
2	Assembler	D = Dodge
3	Vehicle Type	7 = Truck
4	GVWR & Pass. Safety	D = 0-1,360 kg (0-3,000 lbs) E = 1,361-1,814 kg (3,001-4000 lbs) F = 1,815-2,267 kg (4001-5,000 lbs) G = 2,268-2,721 kg (5,001-6000 lbs) H = 2,722-3,175 kg (6001-7000 lbs) J = 3,176-3,628 kg (7001-8000 lbs) K = 3,629-4,082 kg (8001-9000 lbs) L = 4,083-4,535 kg (9001-10,000 lbs) M = 4,536-6,350 kg (10,001-14,000 lbs)
5	Vehicle Line	D = Durango 4x2 B = Durango 4x4
6	Series	5 = Durango Limited 4 = Durango SLT 3 = Durango ST
7	Body Style	8 = Sport Utility 4 Door
8	Engine	D = 5.7L 8 Cylinder Hemi (EZA) K = 3.7L 6 Cylinder Gasoline (EKG) N = 4.7L 8 Cylinder Gasoline (EVA)
9	Check Digit	0 = Check Digit 0 = Check Digit
10	Model Year	6 = 2006
11	Assembly Plant	F = Newark
12 thru 17	Vehicle Build Sequence	Model Year Assembly Sequence

Group - 1

Component Parts for Mopar Accessories



Group - 1 Component Parts for Mopar Accessories

Illustration Title

Group-Fig. No.

Audio & Electronics

Satellite Receiver Kit.....	Fig. 1 - 120
Install Kit Satellite Receiver.....	Fig. 1 - 125
Media System - Rear Seat Video.....	Fig. 1 - 150
Navigation Kit.....	Fig. 1 - 160

Carriers & Cargo Hauling

Bike Carrier - Hitch Mount Four Bikes.....	Fig. 1 - 210
Bike Carrier, Hitch Mount Two Bikes.....	Fig. 1 - 215
Bike Carrier - Roof Mount- Fork.....	Fig. 1 - 220
Bike Carrier- Roof Mount -Upright.....	Fig. 1 - 225
Carrier Kit - Canoe.....	Fig. 1 - 230
Carrier Kit - Watersports.....	Fig. 1 - 232
Carrier Kit, Snowboard or Ski.....	Fig. 1 - 235
Rack Kit - Multipurpose.....	Fig. 1 - 238
Luggage Carrier Roof Vinyl.....	Fig. 1 - 264
Carrier Kit / Luggage.....	Fig. 1 - 266

Driving Convenience


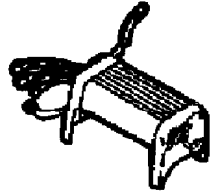
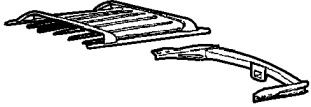

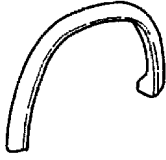
Sensor Package Park/Distance.....	Fig. 1 - 310
Remote Start - Installation Kit.....	Fig. 1 - 320
Hands Free Kit/Cellular Phone Blue Tooth.....	Fig. 1 - 330

Exterior Protection

Air Deflector Kit - Front.....	Fig. 1 - 510
--------------------------------	--------------

4 - Wheeling & Off Road

Skid Plate Kit - Transfer Case.....	Fig. 1 - 1010
-------------------------------------	---------------

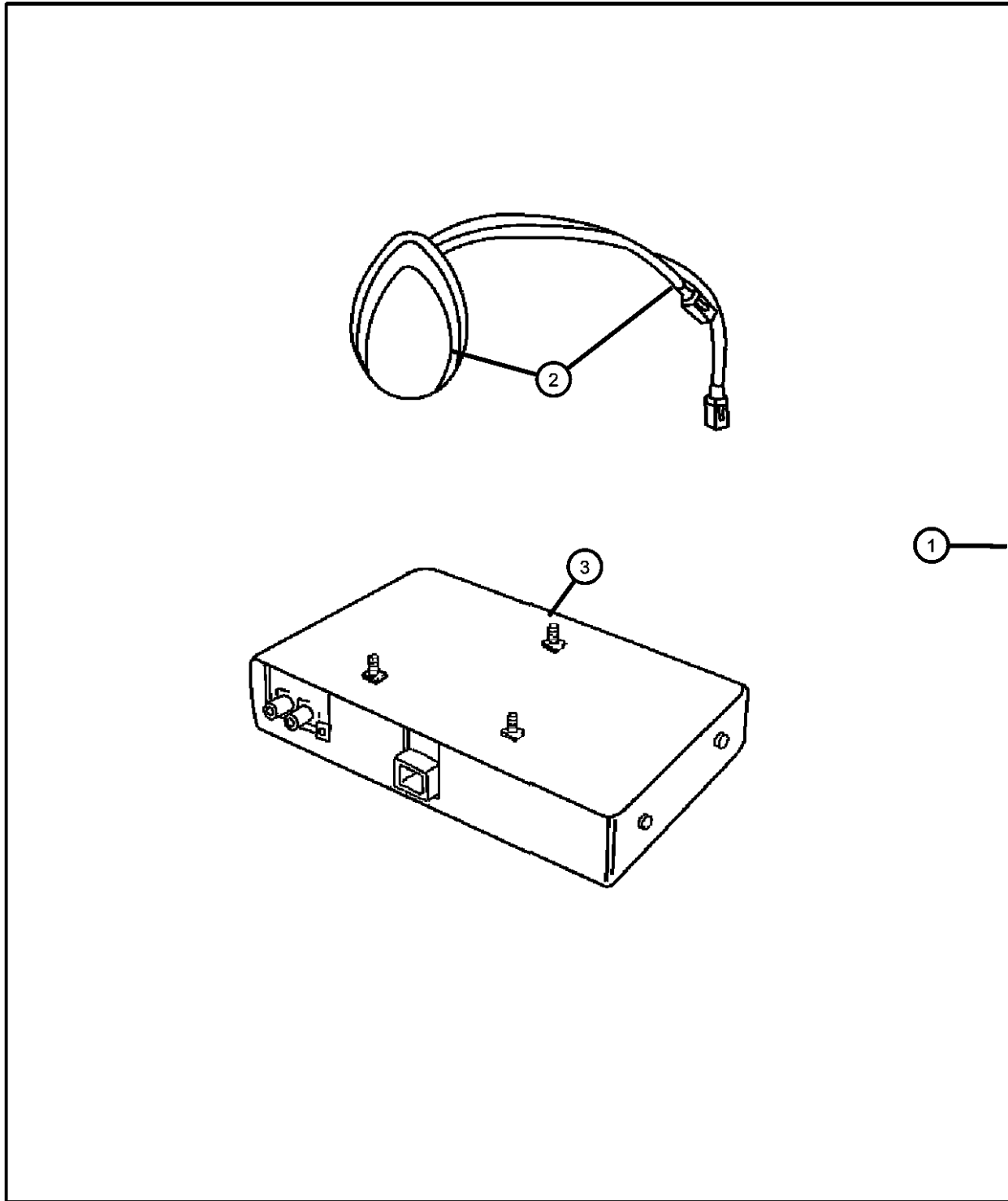
<p>001-100 Audio & Electronics</p> 	<p>001-1000 4 - Wheeling & Off Road</p> 	<p>001-200 Carriers & Cargo Hauling</p> 	<p>001-300 Driving Convenience</p> 
<p>001-500 Exterior Protection</p> 			

**Satellite Receiver Kit
Figure 1-120**

ITEM	PART NUMBER	QTY	LINE	SERIES	BODY	ENGINE	TRANS	TRIM	DESCRIPTION
------	-------------	-----	------	--------	------	--------	-------	------	-------------

Note; For Warranty Repair On Item 3, Order Using Z Prefix

1	82207996AB	1							RECEIVER, Satellite
2	05091513AB	1							ANTENNA, Satellite
3	05064002AG	1							RECEIVER, Satellite



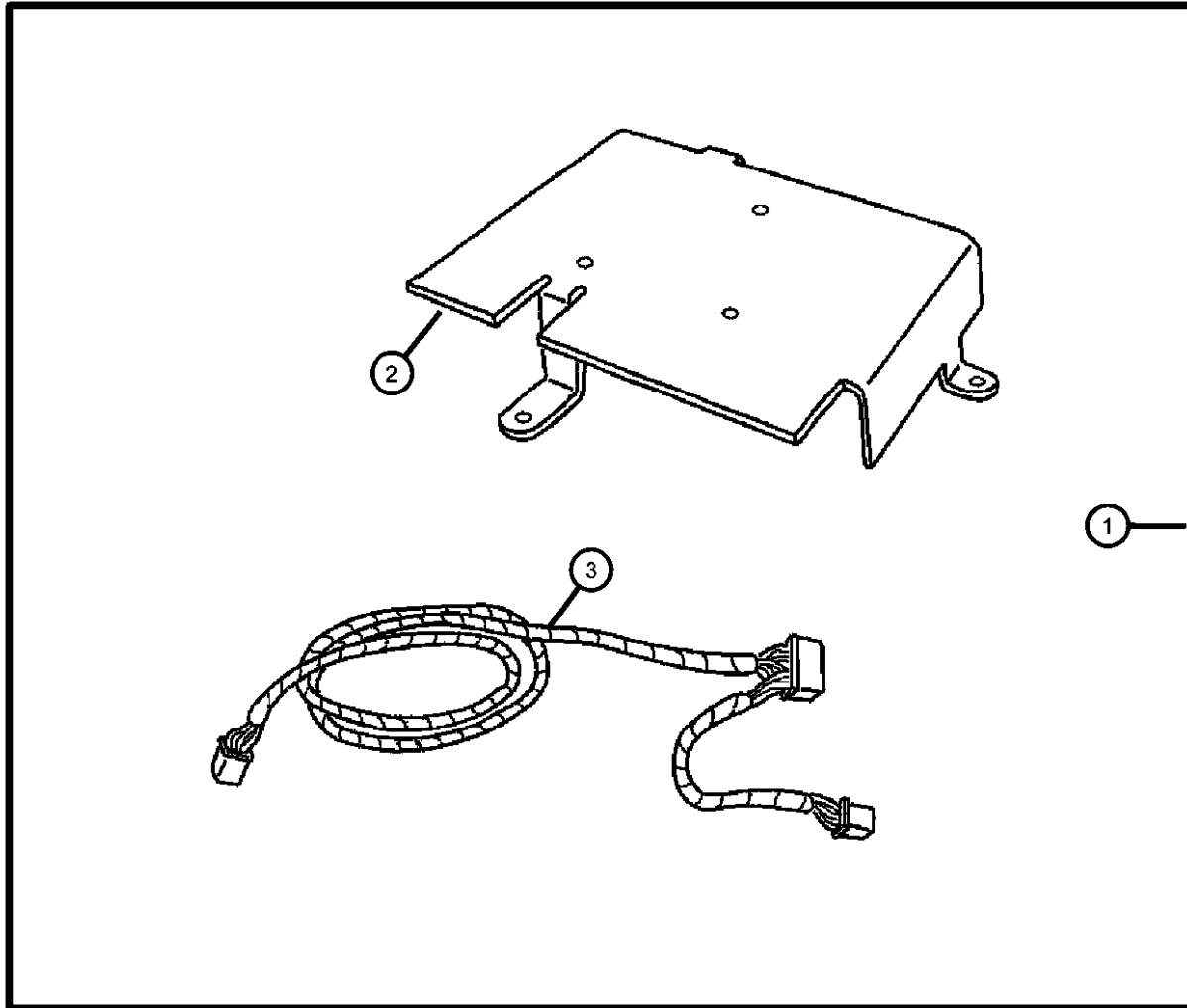
DURANGO (HB)

SERIES	LINE	BODY	ENGINE	TRANSMISSION
H = HIGHLINE	1 = Lt. Duty DODGE 2WD	74 = SPORT UTILITY 4-DR	EKG = 3.7L V6 Engine	DG6 = 4-Spd. Automatic 42RLE Transmission
M = MEDIUM	5 = Lt. Duty DODGE 4WD		EVA = 4.7L V8 MPI Engine	DGQ = 5-Spd Automatic 5-45RFE Transmission
P = PREMIUM			EVD = 4.7L V8 FFV Engine	DGV = 4-Spd. Automatic VLP Transmission
			EZA = Hemi "Magnum" 5.7L SMPI V8 Engine	
			EZB = 5.7L Hemi Multi Displacement Engine	

AR = use ase required - = Non illustrated part

**Install Kit Satellite Receiver
Figure 1-125**

ITEM	PART NUMBER	QTY	LINE	SERIES	BODY	ENGINE	TRANS	TRIM	DESCRIPTION
1	82207995AB	1							INSTALL KIT, Satelite Receiver
2	56043299AA	1							BRACKET, Satellite Receiver
3	05159035AA	1							HARNESS, Overlay

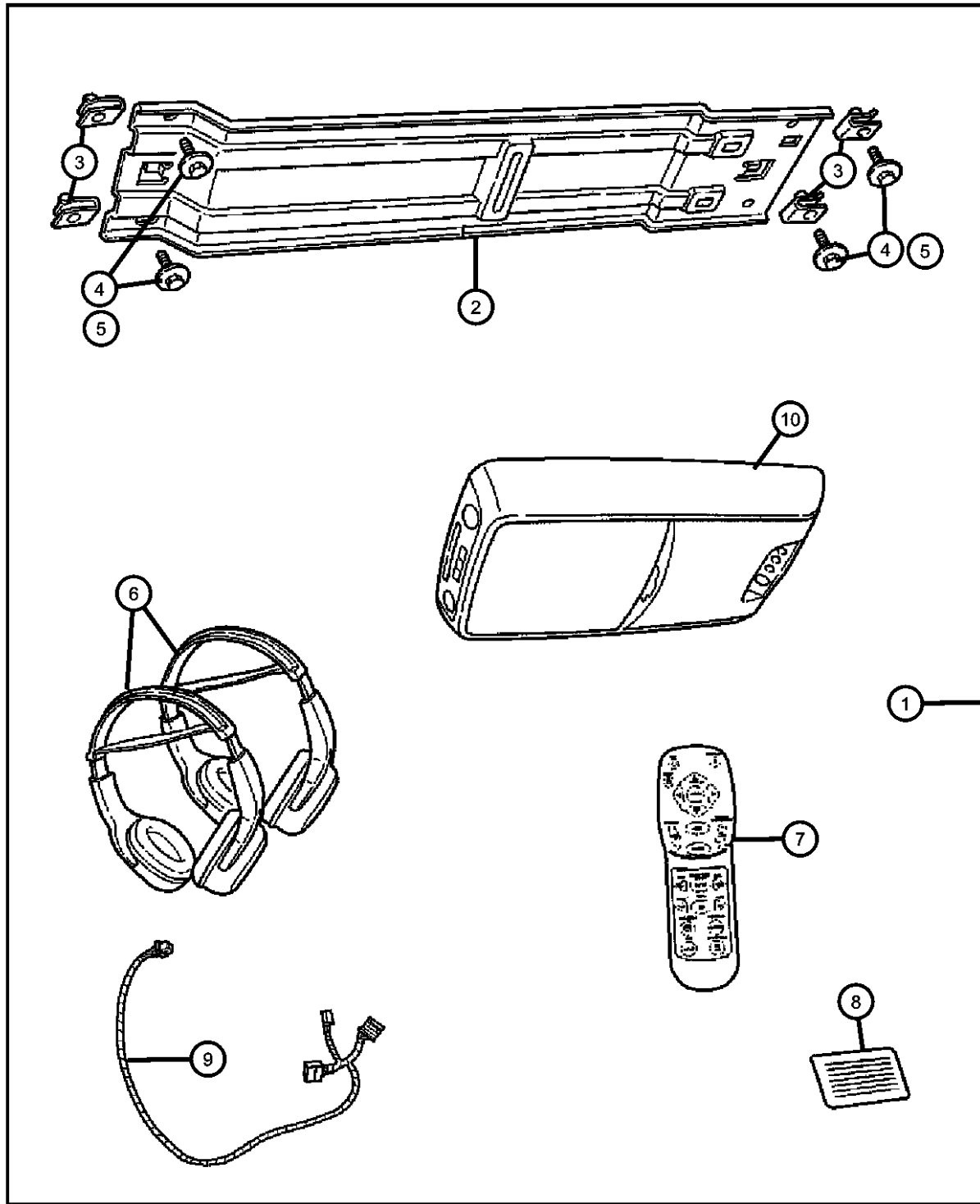


DURANGO (HB)

SERIES	LINE	BODY	ENGINE	TRANSMISSION
H = HIGHLINE	1 = Lt. Duty DODGE 2WD	74 = SPORT UTILITY 4-DR	EKG = 3.7L V6 Engine	DG6 = 4-Spd. Automatic 42RLE Transmission
M = MEDIUM	5 = Lt. Duty DODGE 4WD		EVA = 4.7L V8 MPI Engine	DGQ = 5-Spd Automatic 5-45RFE Transmission
P = PREMIUM			EVD = 4.7L V8 FFV Engine	DGV = 4-Spd. Automatic VLP Transmission
			EZA = Hemi "Magnum" 5.7L SMPI V8 Engine	
			EZB = 5.7L Hemi Multi Displacement Engine	

AR = use ase required - = Non illustrated part

Media System - Rear Seat Video
Figure 1-150



ITEM	PART NUMBER	QTY	LINE	SERIES	BODY	ENGINE	TRANS	TRIM	DESCRIPTION
1	82208043	1							MEDIA SYSTEM, Monitor with DVD [Radio Frequency]
	82210051	1							[Infrared]
2	55364088AA	1							BRACKET Without Sunroof
	55364115AA	1							With Sunroof
3	06101308	1							NUT, U, M6x1.00
4	06503384	4							SCREW AND WASHER, Hex Head, M5x.8x12
5	06101651	1							SCREW, Hex Head, M6x1x16
6	04685936AE	1							HEADPHONES, Wireless [Radio Frequency]
	05064037AA	1							[Infrared]
7	05064041AA	1							REMOTE, Wireless Infrared [Infrared]
	56043231AA	1							[Radio Frequency]
8	05020533AA	1							LABEL, Mercury Warning
9	05135247AA	1							HARNES, Wiring
10	05064049AB	1							MEDIA SYSTEM, Monitor with DVD [Infrared]
	56043192AI	1							[Radio Frequency]

DURANGO (HB)

SERIES LINE
H = HIGHLINE 1 = Lt. Duty DODGE 2WD
M = MEDIUM 5 = Lt. Duty DODGE 4WD
P = PREMIUM

BODY
74 = SPORT UTILITY 4-DR

ENGINE
EKG = 3.7L V6 Engine
EVA = 4.7L V8 MPI Engine
EVD = 4.7L V8 FFV Engine
EZA = Hemi "Magnum" 5.7L
SMPI V8 Engine
EZB = 5.7L Hemi Multi
Displacement Engine

TRANSMISSION
DG6 = 4-Spd. Automatic 42RLE
Transmission
DGQ = 5-Spd Automatic 5-45RFE
Transmission
DGV = 4-Spd. Automatic VLP
Transmission

AR = use ase required - = Non illustrated part

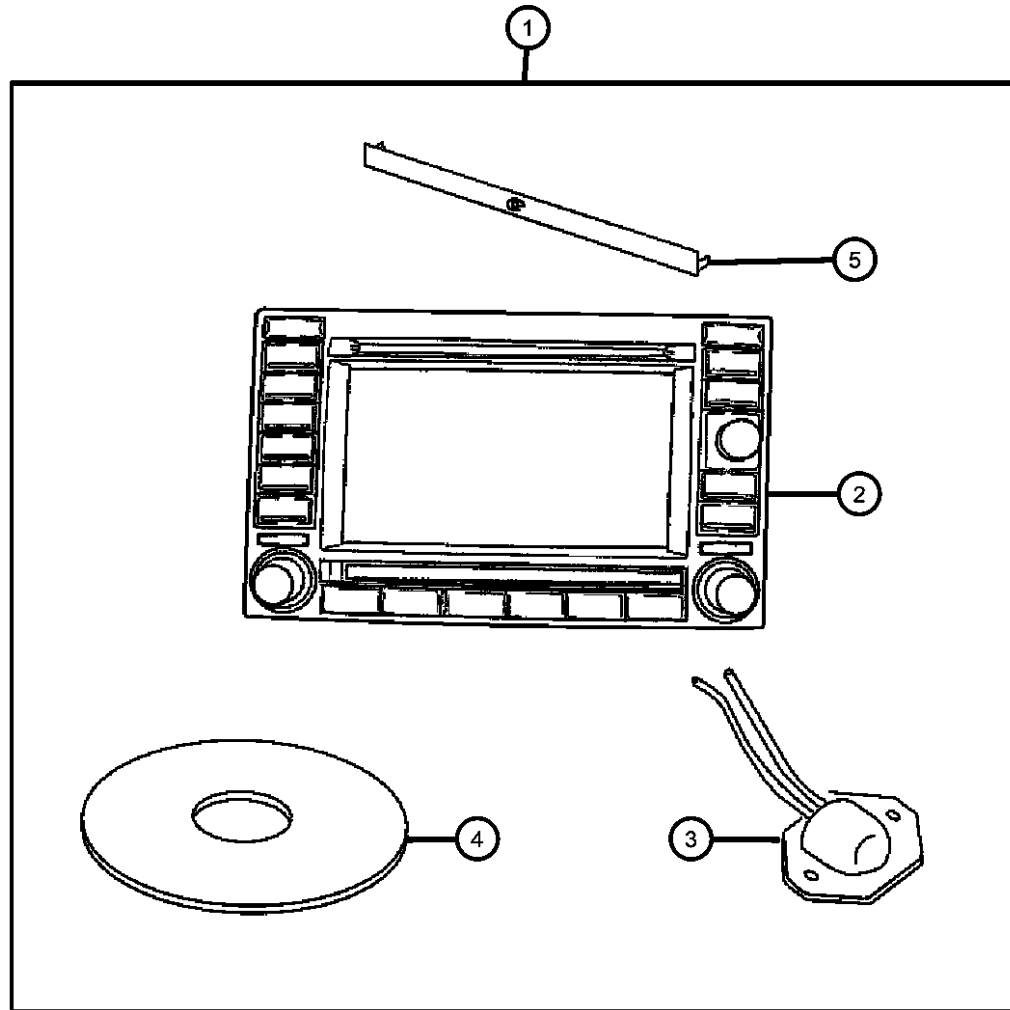
2006 HB

Navigation Kit
Figure 1-160

ITEM	PART NUMBER	QTY	LINE	SERIES	BODY	ENGINE	TRANS	TRIM	DESCRIPTION
------	-------------	-----	------	--------	------	--------	-------	------	-------------

Note: For Warranty Repair on Item 2, Order Using Z Prefix

1	82208653AD	1							RADIO, AM/FM CD W/NAV/DVD & CD-CTRL
2	56038646AL	1							RADIO, AM/FM CD W/NAV/DVD & CD-CTRL
3	56038630AA	1							ANTENNA, GPS
4	05064033AC	1							DVD, Geographic Database
5	05161571AA	1							COVER, Radio



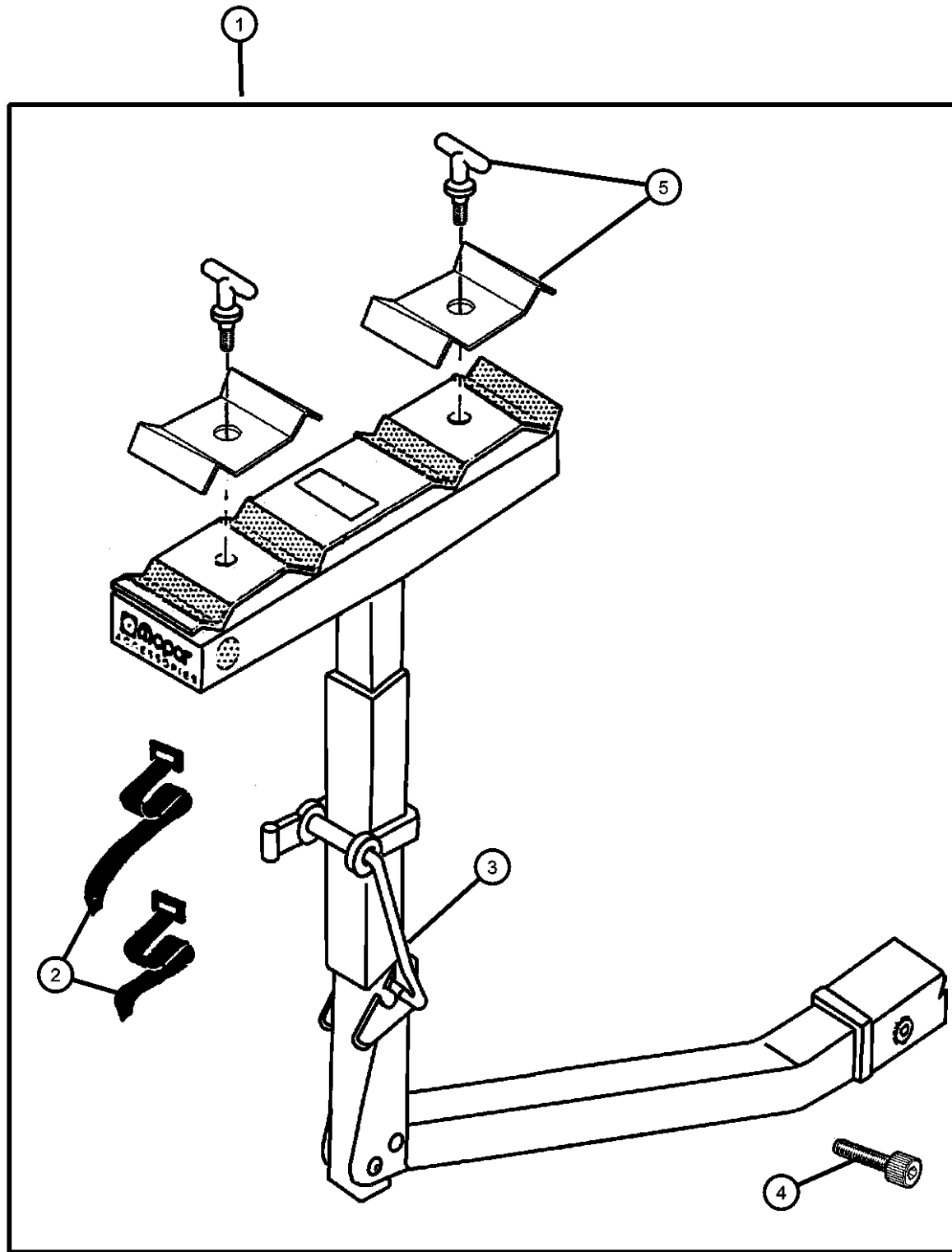
DURANGO (HB)

SERIES	LINE	BODY	ENGINE	TRANSMISSION
H = HIGHLINE	1 = Lt. Duty DODGE 2WD	74 = SPORT UTILITY 4-DR	EKG = 3.7L V6 Engine	DG6 = 4-Spd. Automatic 42RLE Transmission
M = MEDIUM	5 = Lt. Duty DODGE 4WD		EVA = 4.7L V8 MPI Engine	DGQ = 5-Spd Automatic 5-45RFE Transmission
P = PREMIUM			EVD = 4.7L V8 FFV Engine	DGV = 4-Spd. Automatic VLP Transmission
			EZA = Hemi "Magnum" 5.7L SMPI V8 Engine	
			EZB = 5.7L Hemi Multi Displacement Engine	

AR = use ase required - = Non illustrated part

2006 HB

Bike Carrier - Hitch Mount Four Bikes
Figure 1-210



ITEM	PART NUMBER	QTY	LINE	SERIES	BODY	ENGINE	TRANS	TRIM	DESCRIPTION
------	-------------	-----	------	--------	------	--------	-------	------	-------------

Note; Requires 2 Inch Hitch Receiver

1	82204328	1							CARRIER KIT, Bike
2	04762880	1							STRAP KIT, Velcro
3	05016775AA	1							STRAP KIT, Bike Carrier Latch
4	05016776AA	1							BOLT KIT, Security
5	05018825AA	1							HARDWARE KIT, Bike Carrier

DURANGO (HB)

SERIES	LINE	BODY	ENGINE	TRANSMISSION
H = HIGHLINE	1 = Lt. Duty DODGE 2WD	74 = SPORT UTILITY 4-DR	EKG = 3.7L V6 Engine	DG6 = 4-Spd. Automatic 42RLE Transmission
M = MEDIUM	5 = Lt. Duty DODGE 4WD		EVA = 4.7L V8 MPI Engine	DGQ = 5-Spd Automatic 5-45RFE Transmission
P = PREMIUM			EVD = 4.7L V8 FFV Engine	DGV = 4-Spd. Automatic VLP Transmission
			EZA = Hemi "Magnum" 5.7L SMPI V8 Engine	
			EZB = 5.7L Hemi Multi Displacement Engine	

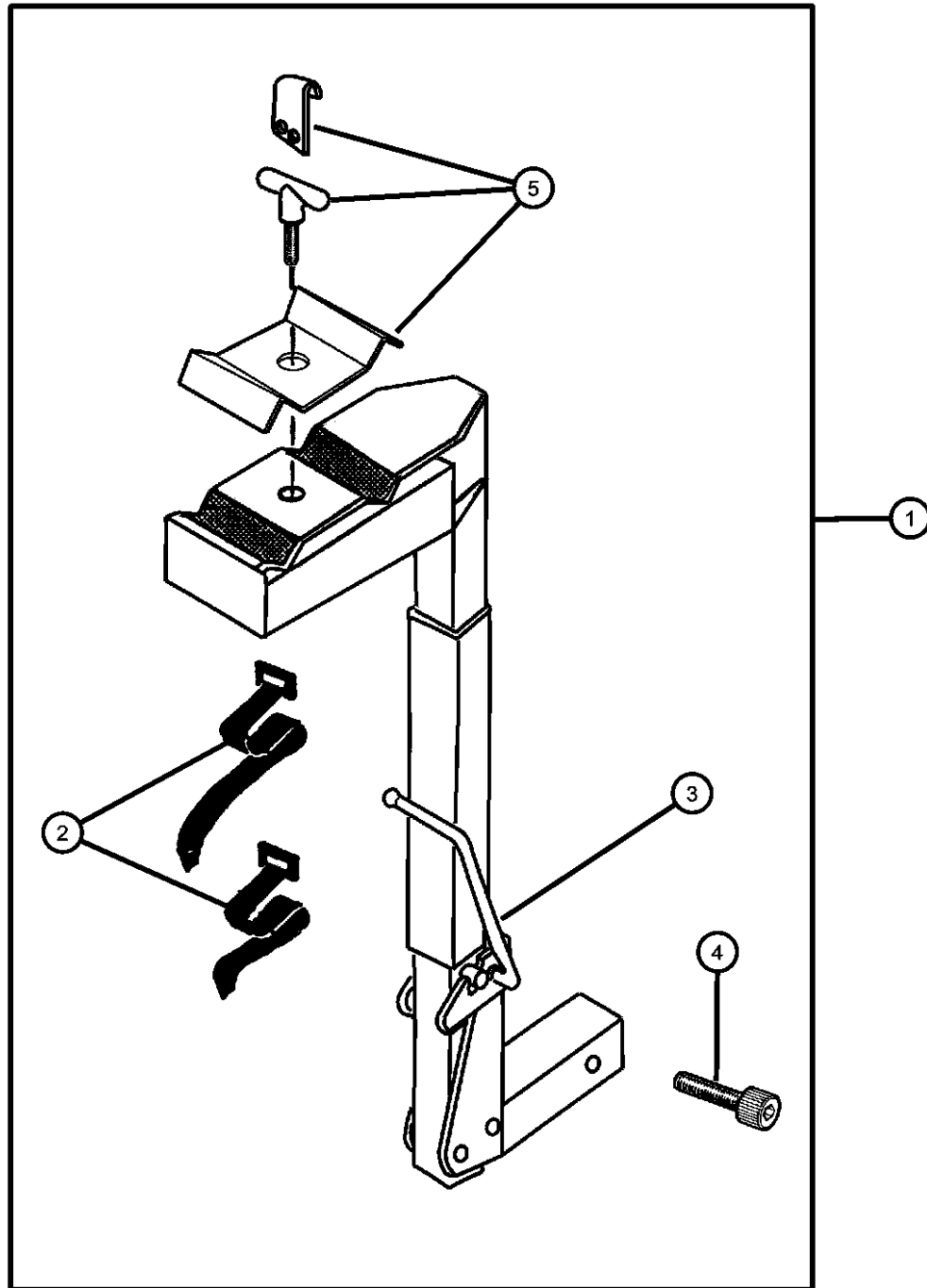
AR = use ase required - = Non illustrated part

Bike Carrier, Hitch Mount Two Bikes
Figure 1-215

ITEM	PART NUMBER	QTY	LINE	SERIES	BODY	ENGINE	TRANS	TRIM	DESCRIPTION
------	-------------	-----	------	--------	------	--------	-------	------	-------------

Note; Requires 2 Inch Hitch Receiver

1	82204453	1							CARRIER KIT, Bike
2	04762880	1							STRAP KIT, Velcro
3	05016775AA	1							STRAP KIT, Bike Carrier Latch
4	05016776AA	1							BOLT KIT, Security
5	05018825AA	1							HARDWARE KIT, Bike Carrier



DURANGO (HB)

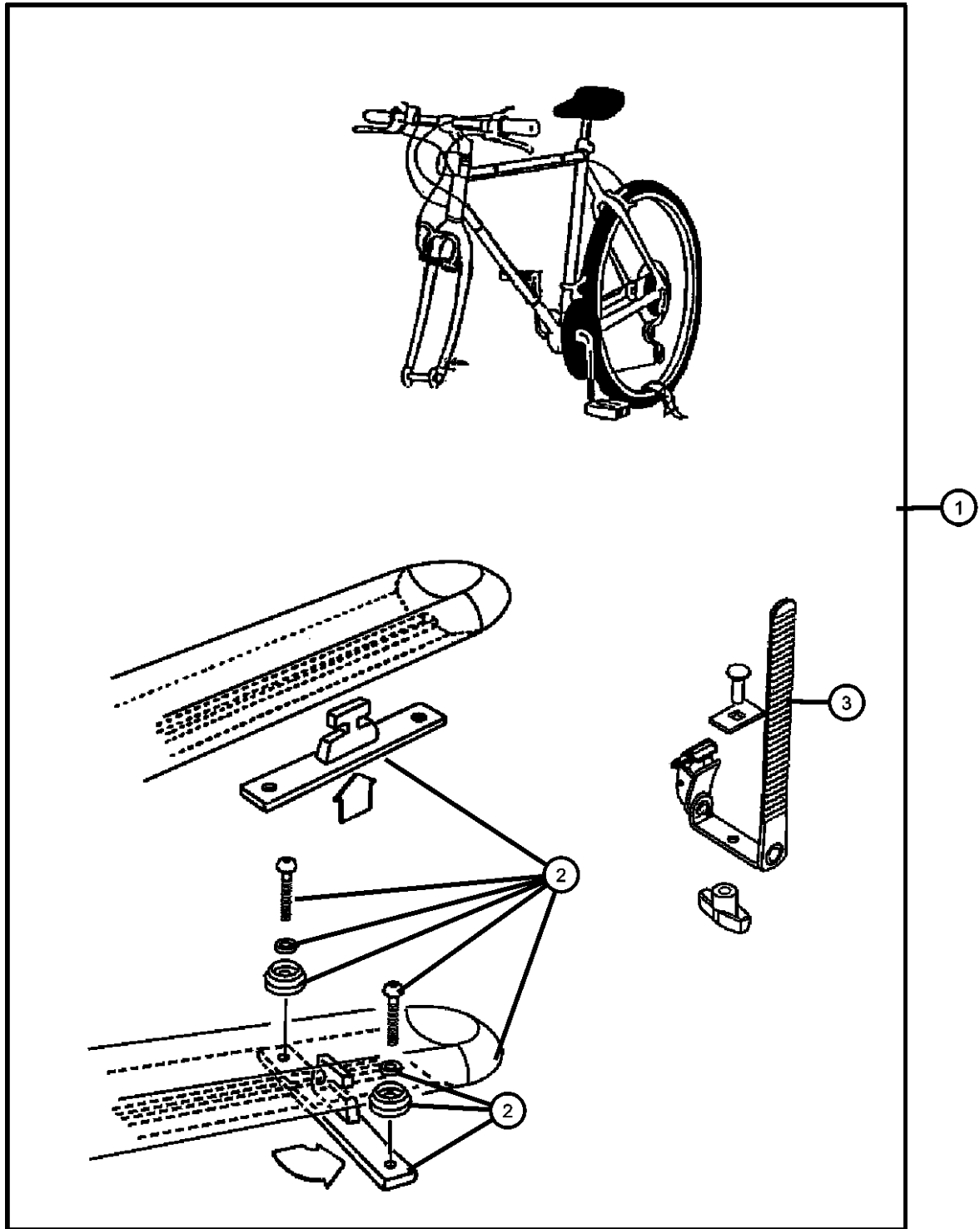
SERIES	LINE	BODY	ENGINE	TRANSMISSION
H = HIGHLINE	1 = Lt. Duty DODGE 2WD	74 = SPORT UTILITY 4-DR	EKG = 3.7L V6 Engine	DG6 = 4-Spd. Automatic 42RLE Transmission
M = MEDIUM	5 = Lt. Duty DODGE 4WD		EVA = 4.7L V8 MPI Engine	DGQ = 5-Spd Automatic 5-45RFE Transmission
P = PREMIUM			EZA = Hemi "Magnum" 5.7L SMPI V8 Engine	DGV = 4-Spd. Automatic VLP Transmission
			EZB = 5.7L Hemi Multi Displacement Engine	

AR = use ase required - = Non illustrated part

2006 HB

**Bike Carrier - Roof Mount- Fork
Figure 1-220**

ITEM	PART NUMBER	QTY	LINE	SERIES	BODY	ENGINE	TRANS	TRIM	DESCRIPTION
1	82207943	1							CARRIER KIT, Bike, Fork - Mount
2	05093779AA	1							HARDWARE KIT, Accessory
3	05114532AA	1							STRAP, Cargo Tie Down



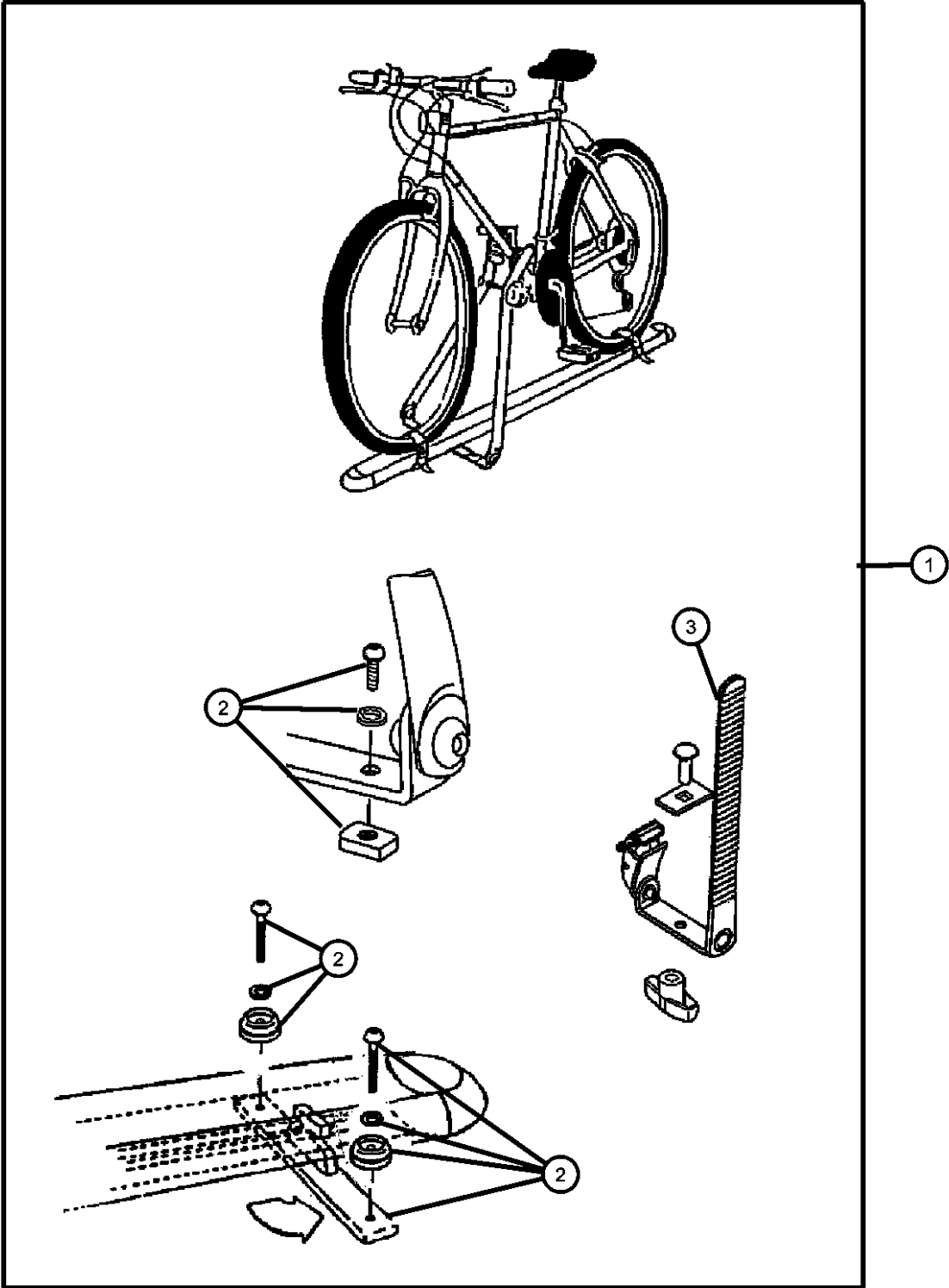
DURANGO (HB)

SERIES	LINE	BODY	ENGINE	TRANSMISSION
H = HIGHLINE	1 = Lt. Duty DODGE 2WD	74 = SPORT UTILITY 4-DR	EKG = 3.7L V6 Engine	DG6 = 4-Spd. Automatic 42RLE
M = MEDIUM	5 = Lt. Duty DODGE 4WD		EVA = 4.7L V8 MPI Engine	Transmission
P = PREMIUM			EVD = 4.7L V8 FFV Engine	DGQ = 5-Spd Automatic 5-45RFE
			EZA = Hemi "Magnum" 5.7L	Transmission
			SMPI V8 Engine	DGV = 4-Spd. Automatic VLP
			EZB = 5.7L Hemi Multi	Transmission
			Displacement Engine	

AR = use ase required - = Non illustrated part

Bike Carrier- Roof Mount -Upright
Figure 1-225

ITEM	PART NUMBER	QTY	LINE	SERIES	BODY	ENGINE	TRANS	TRIM	DESCRIPTION
1	82207942	1							CARRIER KIT, Bike, Upright - Mount
2	05093779AA	1							HARDWARE KIT, Accessory
3	05114532AA	1							STRAP, Cargo Tie Down



DURANGO (HB)				
SERIES	LINE	BODY	ENGINE	TRANSMISSION
H = HIGHLINE	1 = Lt. Duty DODGE 2WD	74 = SPORT UTILITY 4-DR	EKG = 3.7L V6 Engine	DG6 = 4-Spd. Automatic 42RLE Transmission
M = MEDIUM	5 = Lt. Duty DODGE 4WD		EVA = 4.7L V8 MPI Engine	DGQ = 5-Spd Automatic 5-45RFE Transmission
P = PREMIUM			EVD = 4.7L V8 FFV Engine	DGV = 4-Spd. Automatic VLP Transmission
			EZA = Hemi "Magnum" 5.7L SMPI V8 Engine	
			EZB = 5.7L Hemi Multi Displacement Engine	

AR = use ase required - = Non illustrated part

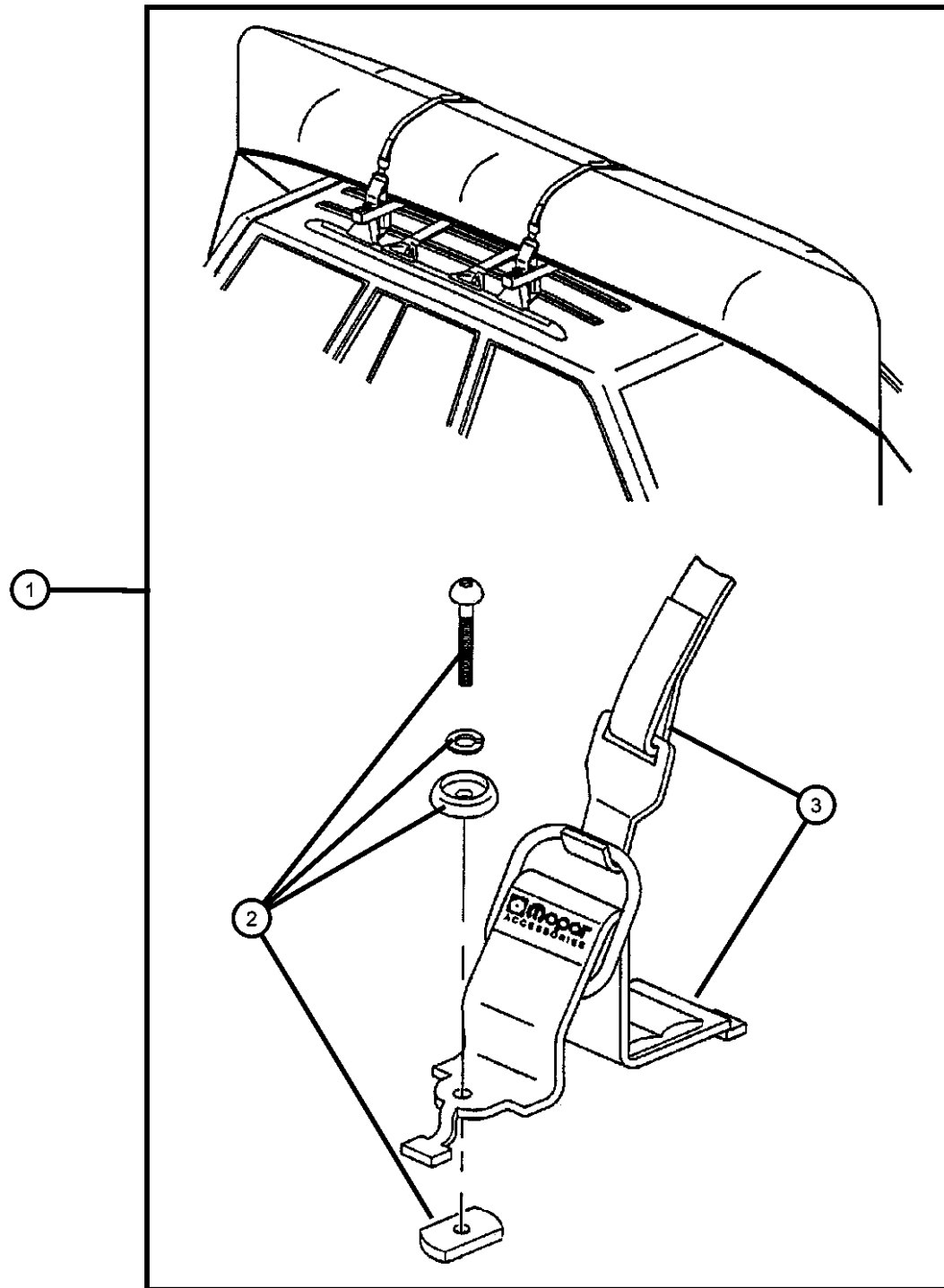
Carrier Kit - Canoe
Figure 1-230

ITEM	PART NUMBER	QTY	LINE	SERIES	BODY	ENGINE	TRANS	TRIM	DESCRIPTION
------	-------------	-----	------	--------	------	--------	-------	------	-------------

Note; Requires Sport Utility Bar

1	82204700	1							CARRIER KIT, Canoe
2	05016389AA	1							HARDWARE KIT, Accessory
3	05016511AA	1							STRAP, Cargo Tie Down

CARRIER KIT, Canoe
HARDWARE KIT, Accessory
STRAP, Cargo Tie Down



DURANGO (HB)

SERIES LINE

H = HIGHLINE 1 = Lt. Duty DODGE 2WD
M = MEDIUM 5 = Lt. Duty DODGE 4WD
P = PREMIUM

BODY

74 = SPORT UTILITY 4-DR

ENGINE

EKG = 3.7L V6 Engine
EVA = 4.7L V8 MPI Engine
EVD = 4.7L V8 FFV Engine
EZA = Hemi "Magnum" 5.7L
SMPI V8 Engine
EZB = 5.7L Hemi Multi
Displacement Engine

TRANSMISSION

DG6 = 4-Spd. Automatic 42RLE
Transmission
DGQ = 5-Spd Automatic 5-45RFE
Transmission
DGV = 4-Spd. Automatic VLP
Transmission

AR = use ase required - = Non illustrated part

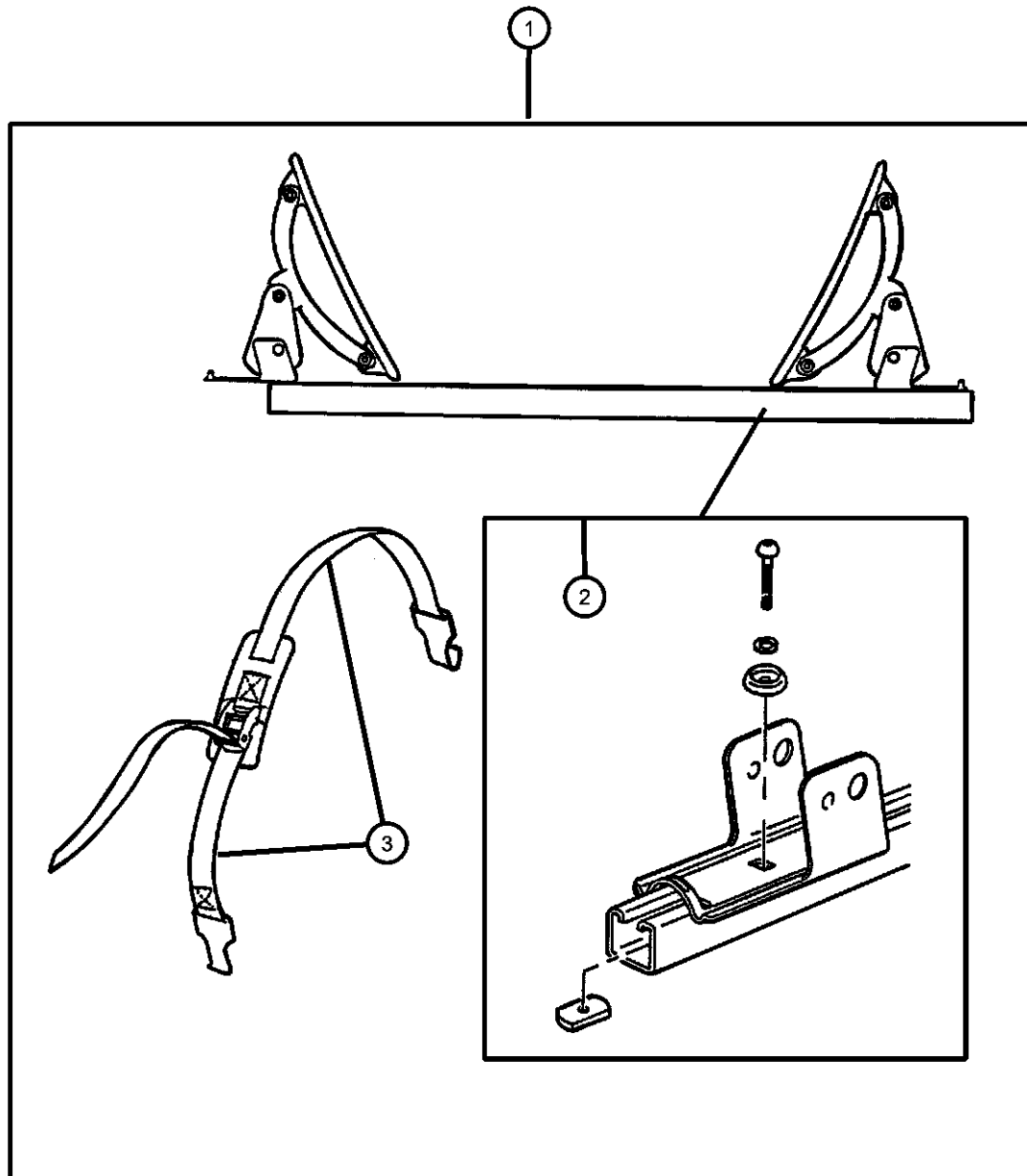
2006 HB

Carrier Kit - Watersports
Figure 1-232

ITEM	PART NUMBER	QTY	LINE	SERIES	BODY	ENGINE	TRANS	TRIM	DESCRIPTION
------	-------------	-----	------	--------	------	--------	-------	------	-------------

Note; Requires T-Slot Crossbar

1	82205416	1							CARRIER KIT, Water Sports, Kayak, Surfboard, Sail Board HARDWARE KIT, Accessory, Consists of : 4-25MM Button Head Screws, 4-30MM Button Head Screws, 4-Lock Washers, 4- Dome Washers, 4- Rubber Washers and 4-T-Nuts STRAP, Cargo Tie Down
2	05016389AA	1							
3	05016511AA	1							



DURANGO (HB)

SERIES	LINE
H = HIGHLINE	1 = Lt. Duty DODGE 2WD
M = MEDIUM	5 = Lt. Duty DODGE 4WD
P = PREMIUM	

BODY
74 = SPORT UTILITY 4-DR

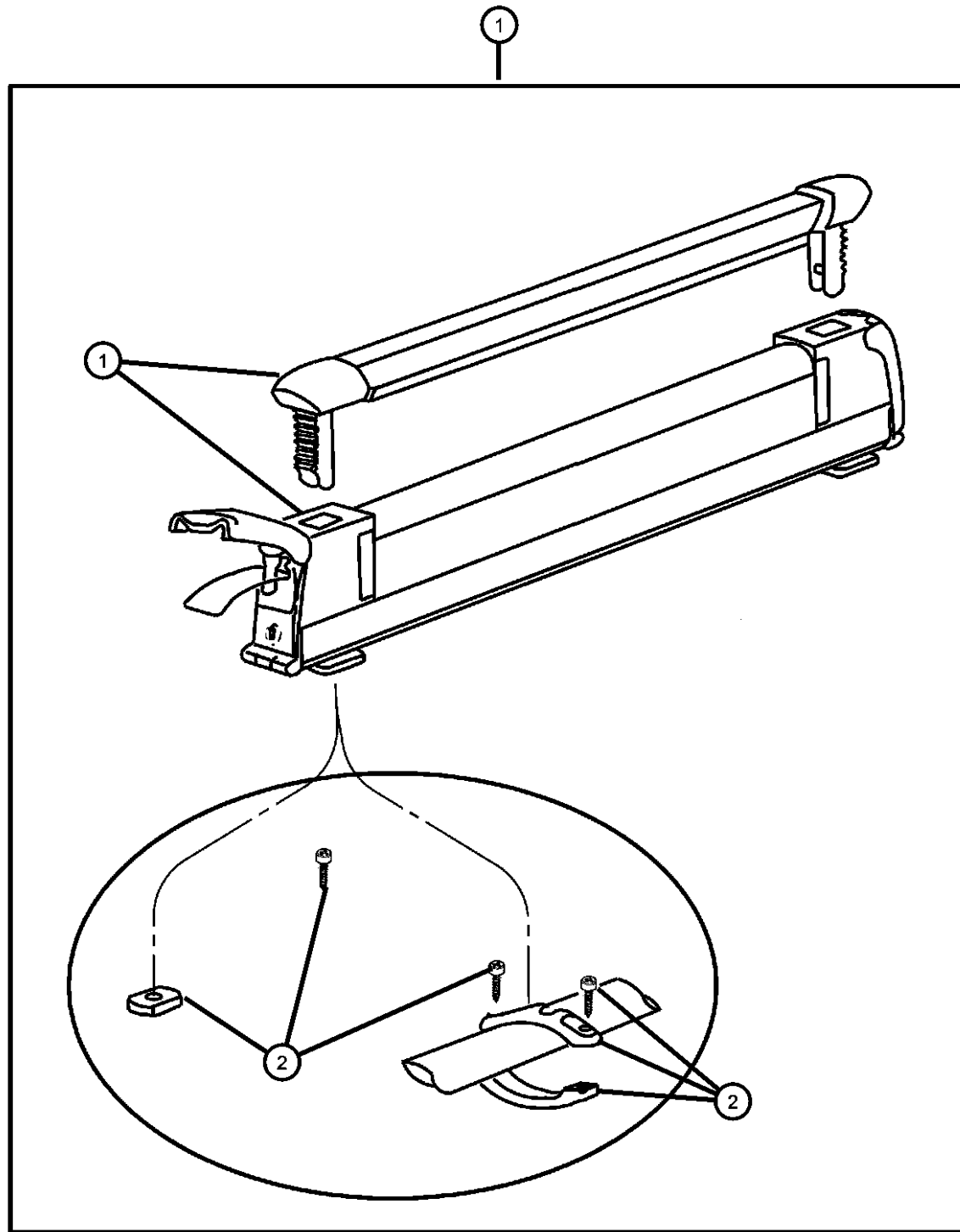
ENGINE
EKG = 3.7L V6 Engine
EVA = 4.7L V8 MPI Engine
EVD = 4.7L V8 FFV Engine
EZA = Hemi "Magnum" 5.7L SMPI V8 Engine
EZB = 5.7L Hemi Multi Displacement Engine

TRANSMISSION
DG6 = 4-Spd. Automatic 42RLE Transmission
DGQ = 5-Spd Automatic 5-45RFE Transmission
DGV = 4-Spd. Automatic VLP Transmission

AR = use ase required - = Non illustrated part

2006 HB

Carrier Kit, Snowboard or Ski
Figure 1-235



ITEM	PART NUMBER	QTY	LINE	SERIES	BODY	ENGINE	TRANS	TRIM	DESCRIPTION
1	82207308	1							CARRIER KIT, Ski
	82207312	1							6 Pair Skis or 4 Snowboards
									3 Pair Skis or 2 Snowboards
2	05086158AA	1							HARDWARE KIT, Accessory
-3	05066632AA	1							TOOL, Screw Driver

DURANGO (HB)

SERIES LINE

H = HIGHLINE 1 = Lt. Duty DODGE 2WD

M = MEDIUM 5 = Lt. Duty DODGE 4WD

P = PREMIUM

BODY

74 = SPORT UTILITY 4-DR

ENGINE

EKG = 3.7L V6 Engine

EVA = 4.7L V8 MPI Engine

EVD = 4.7L V8 FFV Engine

EZA = Hemi "Magnum" 5.7L

SMPI V8 Engine

EZB = 5.7L Hemi Multi

Displacement Engine

TRANSMISSION

DG6 = 4-Spd. Automatic 42RLE

Transmission

DGQ = 5-Spd Automatic 5-45RFE

Transmission

DGV = 4-Spd. Automatic VLP

Transmission

AR = use ase required - = Non illustrated part

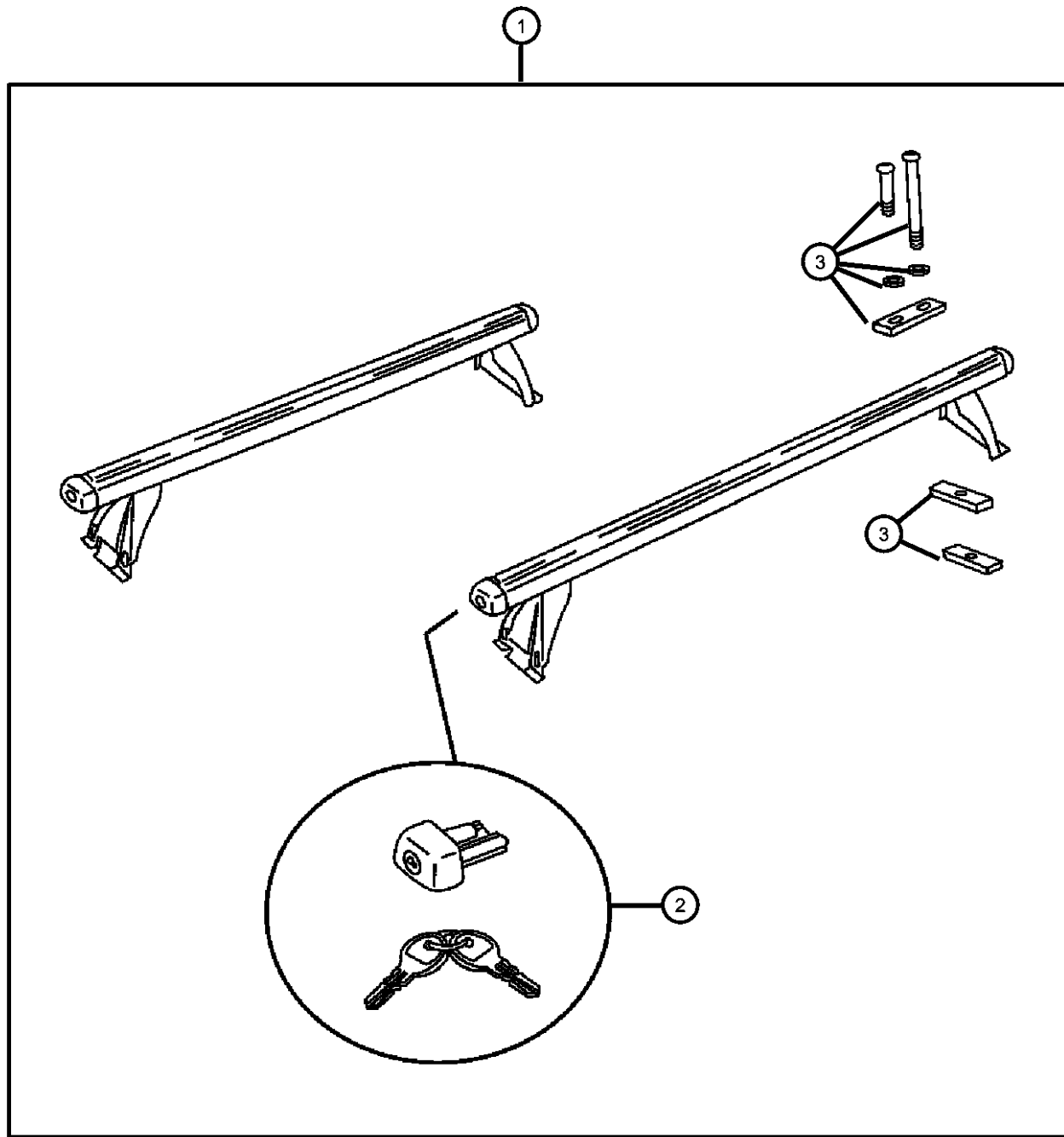
2006 HB

Rack Kit - Multipurpose
Figure 1-238

ITEM	PART NUMBER	QTY	LINE	SERIES	BODY	ENGINE	TRANS	TRIM	DESCRIPTION
------	-------------	-----	------	--------	------	--------	-------	------	-------------

Note; Requires Roof Rack

1	82208282AB	1							RACK KIT, Multipurpose
2	05072276AA	1							END CAP, Roof Rack Side Rail
3	05066452AA	1							HARDWARE KIT, ROOF RACK
-4	05066632AA	1							TOOL, Screw Driver



DURANGO (HB)

SERIES	LINE	BODY	ENGINE	TRANSMISSION
H = HIGHLINE	1 = Lt. Duty DODGE 2WD	74 = SPORT UTILITY 4-DR	EKG = 3.7L V6 Engine	DG6 = 4-Spd. Automatic 42RLE Transmission
M = MEDIUM	5 = Lt. Duty DODGE 4WD		EVA = 4.7L V8 MPI Engine	DGQ = 5-Spd Automatic 5-45RFE Transmission
P = PREMIUM			EVD = 4.7L V8 FFV Engine	DGV = 4-Spd. Automatic VLP Transmission
			EZA = Hemi "Magnum" 5.7L SMPI V8 Engine	
			EZB = 5.7L Hemi Multi Displacement Engine	

AR = use ase required - = Non illustrated part

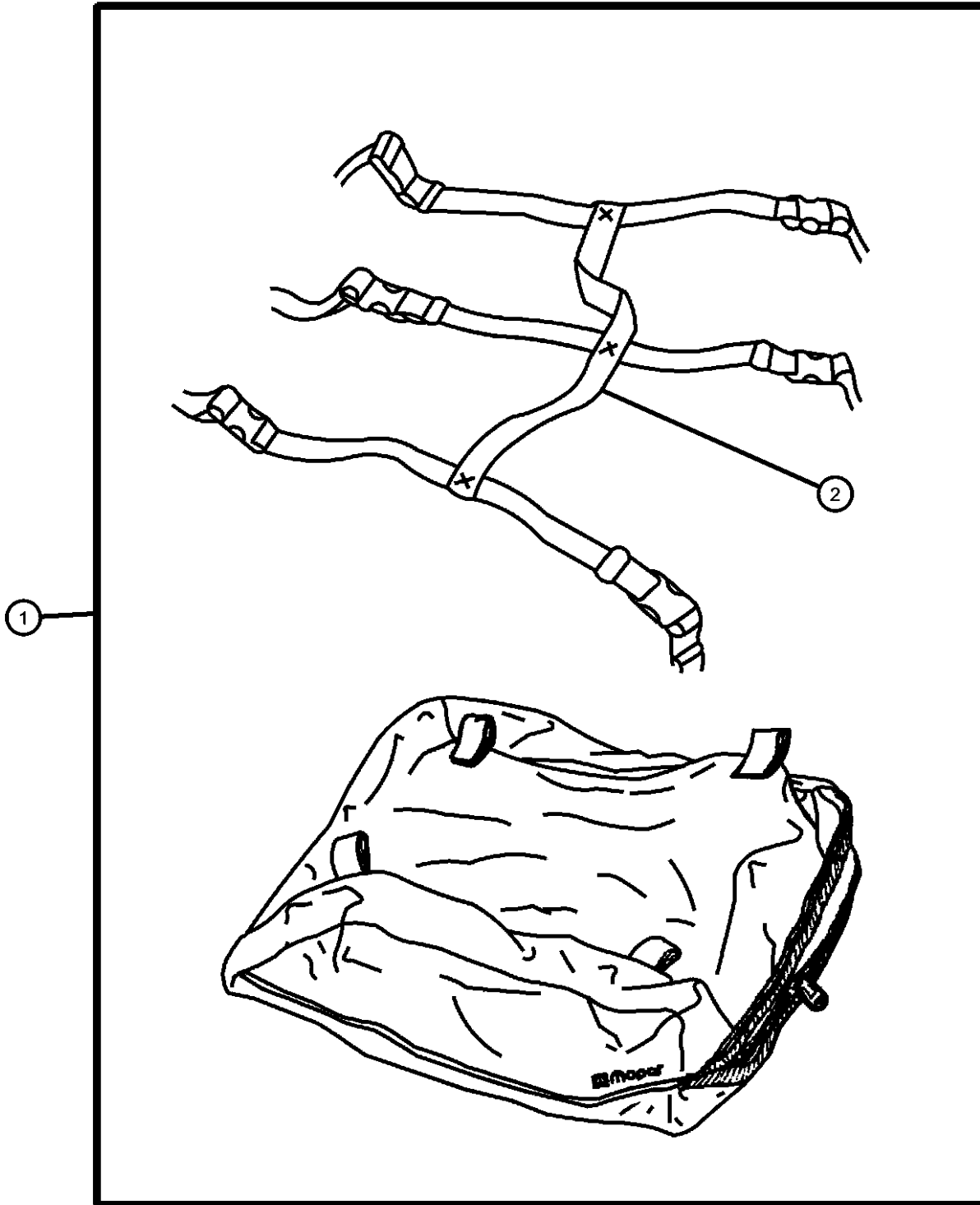
Luggage Carrier Roof Vinyl
Figure 1-264

ITEM	PART NUMBER	QTY	LINE	SERIES	BODY	ENGINE	TRANS	TRIM	DESCRIPTION
------	-------------	-----	------	--------	------	--------	-------	------	-------------

NOTE: Requires Roof Rack.

1	82207198	1							CARRIER KIT, Luggage
2	05066332AA	1							STRAP KIT, Luggage Carrier

CARRIER KIT, Luggage
STRAP KIT, Luggage Carrier



DURANGO (HB)

SERIES	LINE
H = HIGHLINE	1 = Lt. Duty DODGE 2WD
M = MEDIUM	5 = Lt. Duty DODGE 4WD
P = PREMIUM	

BODY
74 = SPORT UTILITY 4-DR

ENGINE
EKG = 3.7L V6 Engine
EVA = 4.7L V8 MPI Engine
EVD = 4.7L V8 FFV Engine
EZA = Hemi "Magnum" 5.7L
SMPI V8 Engine
EZB = 5.7L Hemi Multi
Displacement Engine

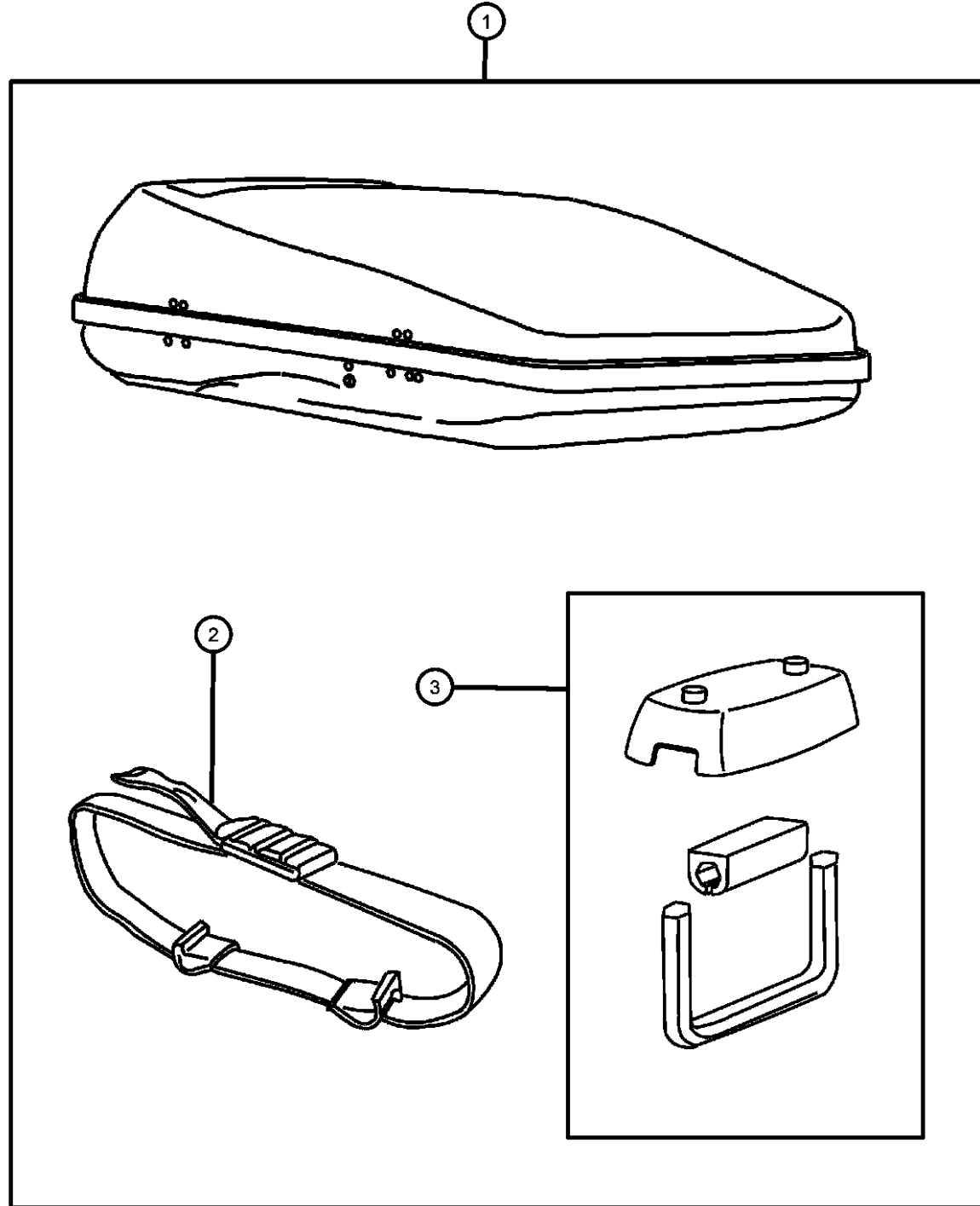
TRANSMISSION
DG6 = 4-Spd. Automatic 42RLE
Transmission
DGQ = 5-Spd Automatic 5-45RFE
Transmission
DGV = 4-Spd. Automatic VLP
Transmission

AR = use ase required - = Non illustrated part

2006 HB

Carrier Kit / Luggage
Figure 1-266

ITEM	PART NUMBER	QTY	LINE	SERIES	BODY	ENGINE	TRANS	TRIM	DESCRIPTION
------	-------------	-----	------	--------	------	--------	-------	------	-------------



Note; Requires Roof Rack

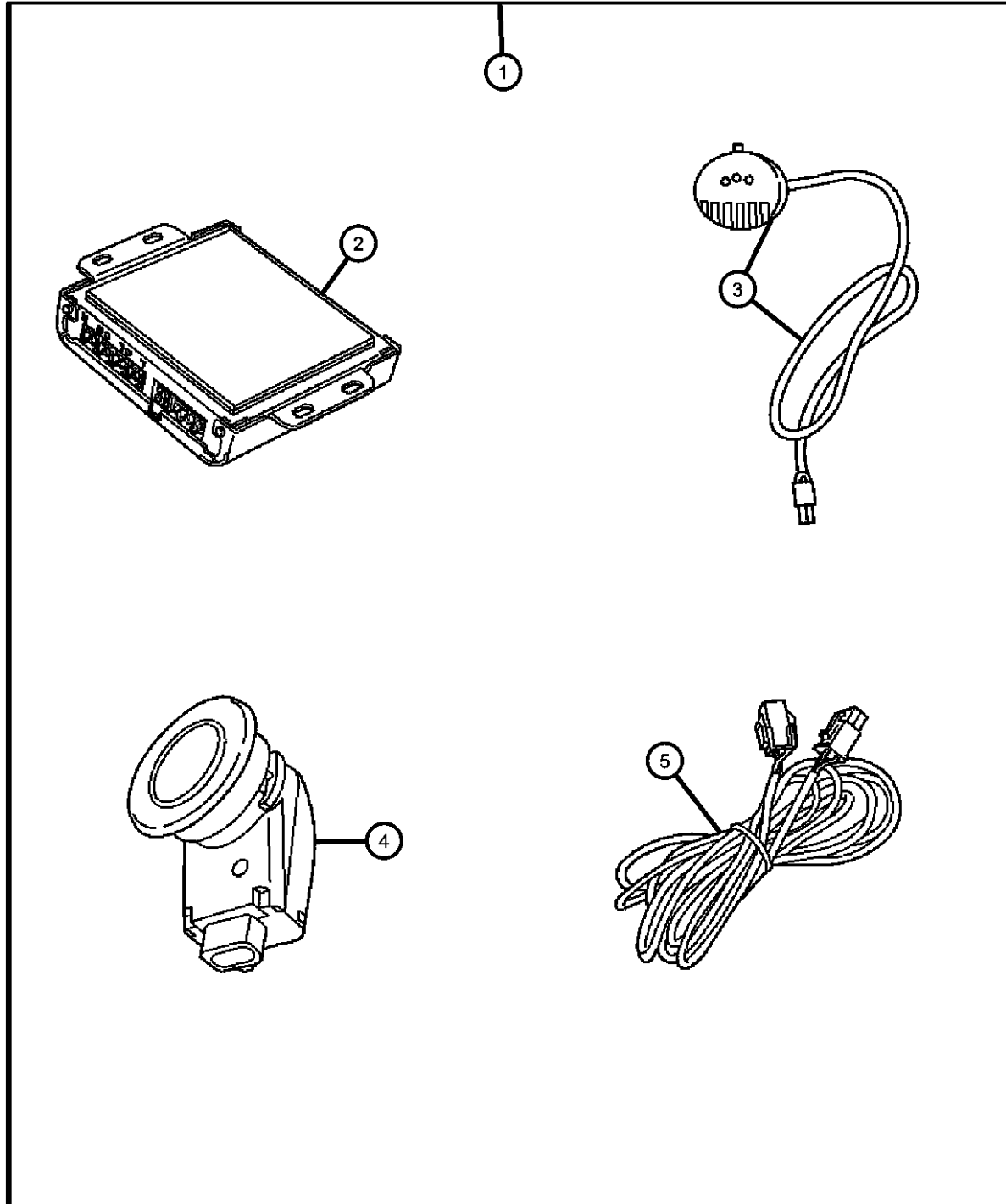
1	82207341AB	1							CARRIER KIT, Luggage 480 Liter Capacity
	82207353AB	1							440 Liter Capacity
2	05086160AA	1							STRAP, Cargo Tie Down
3	05086159AA	1							HARDWARE KIT

DURANGO (HB)

SERIES	LINE	BODY	ENGINE	TRANSMISSION
H = HIGHLINE	1 = Lt. Duty DODGE 2WD	74 = SPORT UTILITY 4-DR	EKG = 3.7L V6 Engine	DG6 = 4-Spd. Automatic 42RLE Transmission
M = MEDIUM	5 = Lt. Duty DODGE 4WD		EVA = 4.7L V8 MPI Engine	DGQ = 5-Spd Automatic 5-45RFE Transmission
P = PREMIUM			EVD = 4.7L V8 FFV Engine	DGV = 4-Spd. Automatic VLP Transmission
			EZA = Hemi "Magnum" 5.7L SMPI V8 Engine	
			EZB = 5.7L Hemi Multi Displacement Engine	

AR = use ase required - = Non illustrated part

Sensor Package Park/Distance
Figure 1-310



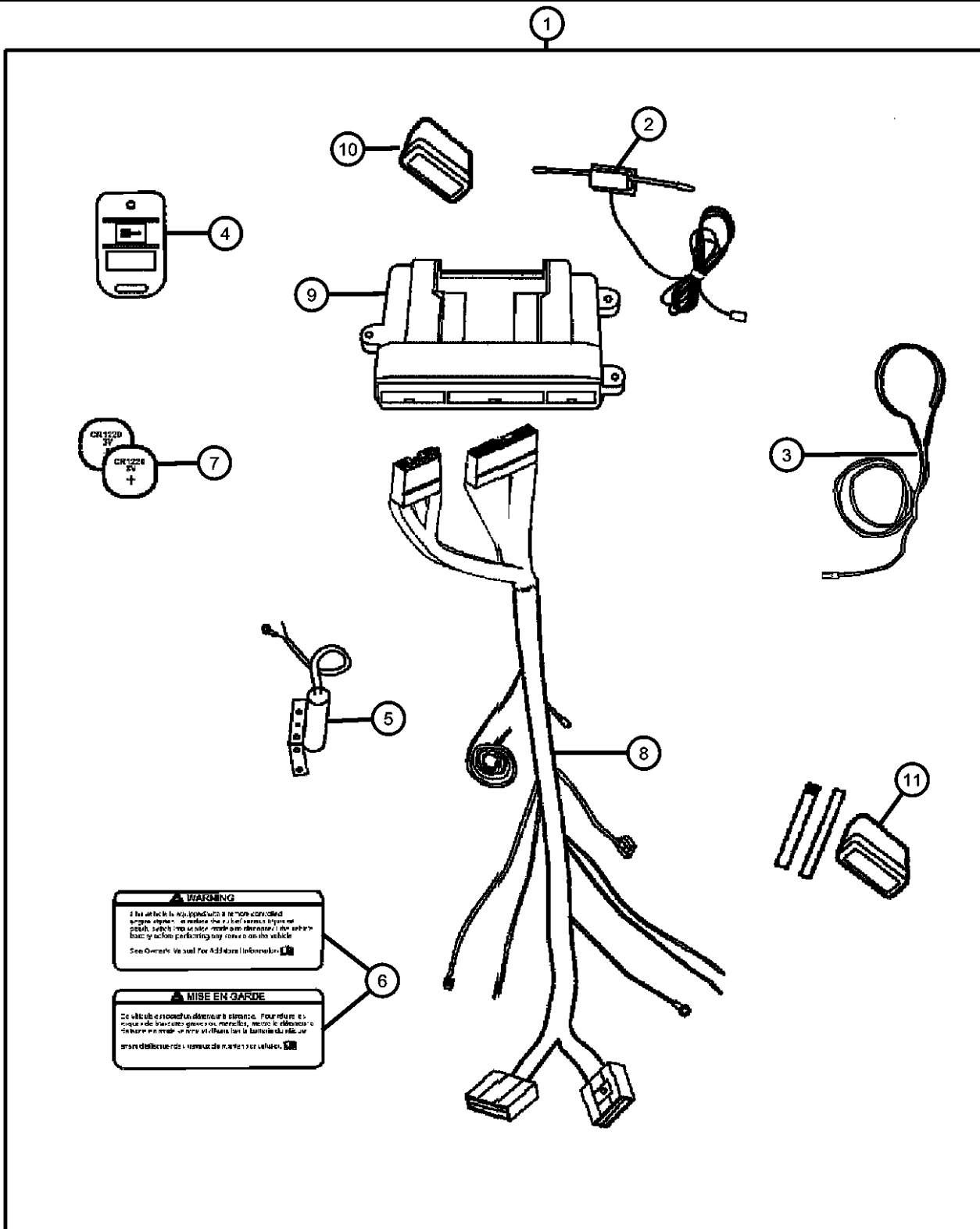
ITEM	PART NUMBER	QTY	LINE	SERIES	BODY	ENGINE	TRANS	TRIM	DESCRIPTION
1	82208246AC	1							SENSOR KIT, Park Distance
2	05137541AA	1							MODULE, Parking Assist
3	05137539AA	1							DISPLAY, Parking Assist
4	05137536AA	1							SENSOR
5	05137540AA	1							WIRING, Distance Sensor

DURANGO (HB)

SERIES	LINE	BODY	ENGINE	TRANSMISSION
H = HIGHLINE	1 = Lt. Duty DODGE 2WD	74 = SPORT UTILITY 4-DR	EKG = 3.7L V6 Engine	DG6 = 4-Spd. Automatic 42RLE
M = MEDIUM	5 = Lt. Duty DODGE 4WD		EVA = 4.7L V8 MPI Engine	Transmission
P = PREMIUM			EVD = 4.7L V8 FFV Engine	DGQ = 5-Spd Automatic 5-45RFE
			EZA = Hemi "Magnum" 5.7L	Transmission
			SMPI V8 Engine	DGV = 4-Spd. Automatic VLP
			EZB = 5.7L Hemi Multi	Transmission
			Displacement Engine	

AR = use ase required - = Non illustrated part

Remote Start - Installation Kit
Figure 1-320



ITEM	PART NUMBER	QTY	LINE	SERIES	BODY	ENGINE	TRANS	TRIM	DESCRIPTION
1	82208863AB	1							INSTALL KIT, REMOTE START
2	05140470AA	1							ANTENNA
3	05140471AA	1							ANTENNA
4	05140472AA	1							TRANSMITTER
5	05140473AA	1							SWITCH
6	05140474AA	1							LABEL
7	05140773AA	1							BATTERY, Transmitter
8	05179433AA	1							HARNESS, Wiring
9	82208859AB	1							MODULE KIT, REMOTE START
10	05140466AA	1							MODULE, Remote Start
11	05140467AA	1							MODULE

DURANGO (HB)

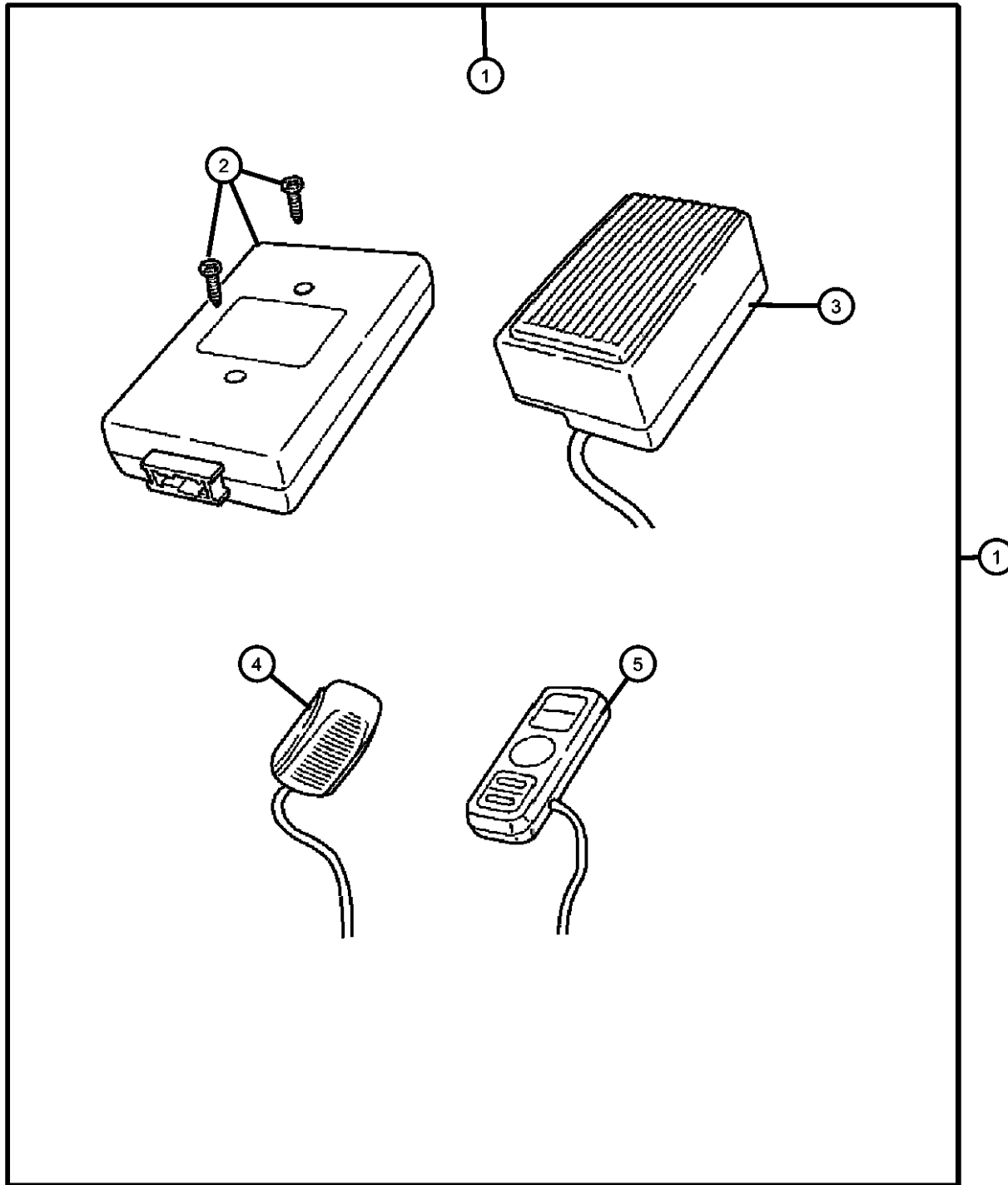
SERIES	LINE	BODY	ENGINE	TRANSMISSION
H = HIGHLINE	1 = Lt. Duty DODGE 2WD	74 = SPORT UTILITY 4-DR	EKG = 3.7L V6 Engine	DG6 = 4-Spd. Automatic 42RLE Transmission
M = MEDIUM	5 = Lt. Duty DODGE 4WD		EVA = 4.7L V8 MPI Engine	DGQ = 5-Spd Automatic 5-45RFE Transmission
P = PREMIUM			EVD = 4.7L V8 FFV Engine	DGV = 4-Spd. Automatic VLP Transmission
			EZA = Hemi "Magnum" 5.7L SMPI V8 Engine	
			EZB = 5.7L Hemi Multi Displacement Engine	

AR = use ase required - = Non illustrated part

2006 HB

**Hands Free Kit/Cellular Phone Blue Tooth
Figure 1-330**

ITEM	PART NUMBER	QTY	LINE	SERIES	BODY	ENGINE	TRANS	TRIM	DESCRIPTION
1	82207853AD	1							HANDS FREE KIT, Cellular Phone
2	05114359AD	1							MODULE, U Connect
3	05102026AA	1							SPEAKER, Front
4	05102025AA	1							MICROPHONE, Audio
5	05102027AA	1							CONTROLLER, Audio



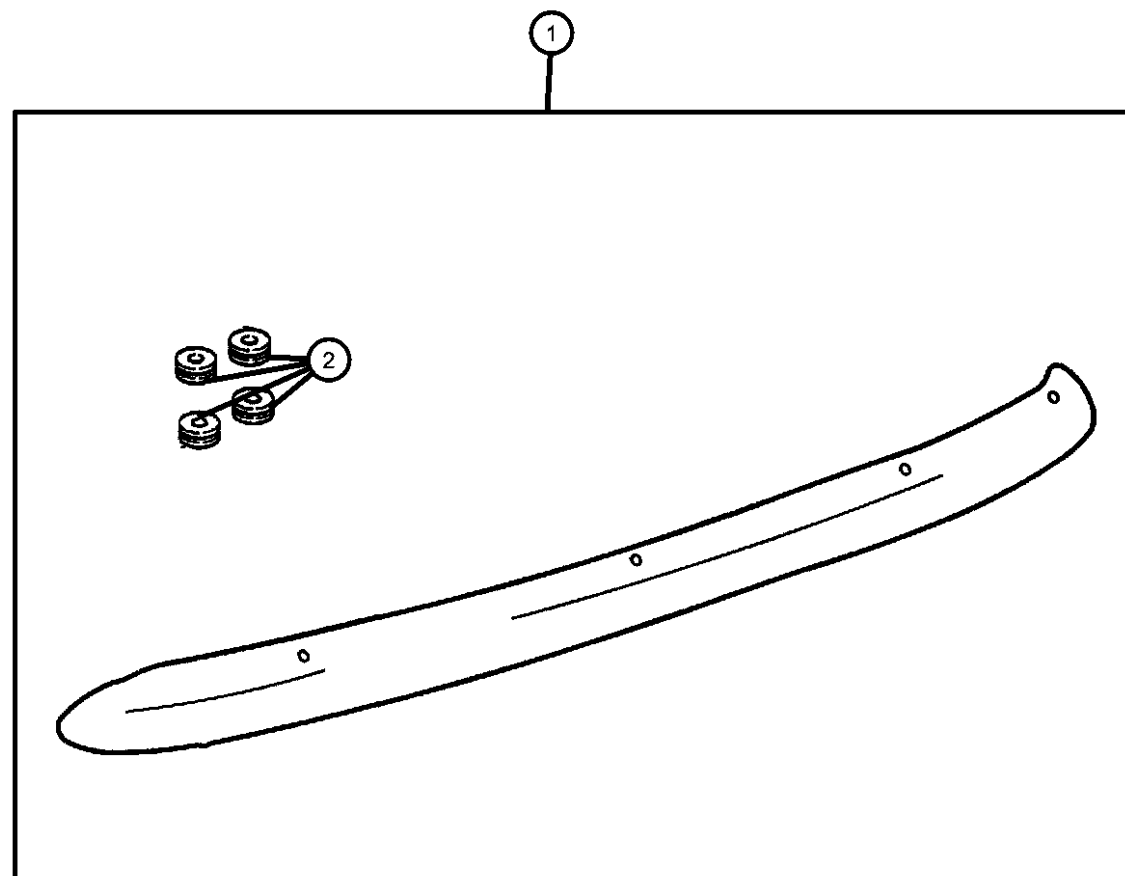
DURANGO (HB)

SERIES	LINE	BODY	ENGINE	TRANSMISSION
H = HIGHLINE	1 = Lt. Duty DODGE 2WD	74 = SPORT UTILITY 4-DR	EKG = 3.7L V6 Engine	DG6 = 4-Spd. Automatic 42RLE Transmission
M = MEDIUM	5 = Lt. Duty DODGE 4WD		EVA = 4.7L V8 MPI Engine	DGQ = 5-Spd Automatic 5-45RFE Transmission
P = PREMIUM			EVD = 4.7L V8 FFV Engine	DGV = 4-Spd. Automatic VLP Transmission
			EZA = Hemi "Magnum" 5.7L SMPI V8 Engine	
			EZB = 5.7L Hemi Multi Displacement Engine	

AR = use ase required - = Non illustrated part

Air Deflector Kit - Front
Figure 1-510

ITEM	PART NUMBER	QTY	LINE	SERIES	BODY	ENGINE	TRANS	TRIM	DESCRIPTION
1	82208416AB	1							SHIELD KIT, Air - Front
2	05014754AA	1							SPACER, Air Deflector



DURANGO (HB)

SERIES	LINE	BODY	ENGINE	TRANSMISSION
H = HIGHLINE	1 = Lt. Duty DODGE 2WD	74 = SPORT UTILITY 4-DR	EKG = 3.7L V6 Engine	DG6 = 4-Spd. Automatic 42RLE Transmission
M = MEDIUM	5 = Lt. Duty DODGE 4WD		EVA = 4.7L V8 MPI Engine	DGQ = 5-Spd Automatic 5-45RFE Transmission
P = PREMIUM			EVD = 4.7L V8 FFV Engine	DGV = 4-Spd. Automatic VLP Transmission
			EZA = Hemi "Magnum" 5.7L SMPI V8 Engine	
			EZB = 5.7L Hemi Multi Displacement Engine	

AR = use ase required - = Non illustrated part