

VIN PLATE DECODING INFORMATION

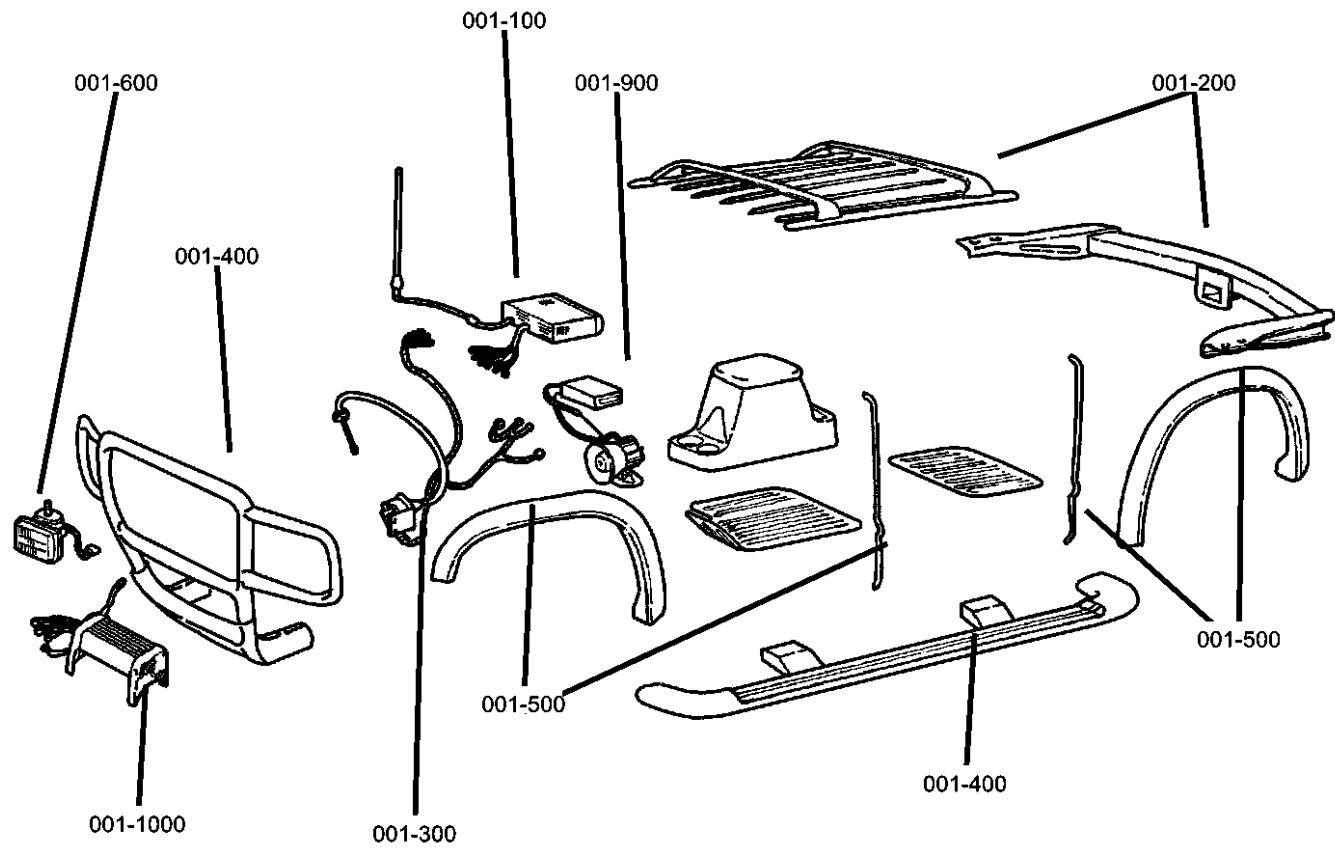
1	2	3	4	5	6	7	8	9	10	11	12 thru 17
Country	Make	Vehicle Type	Other	Line	Series	Body Style	Engine	Check Digit	Model Year	Assy. Plant	Sequence No.

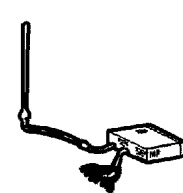
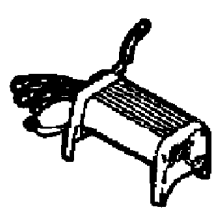
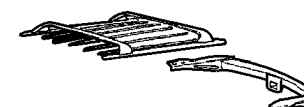

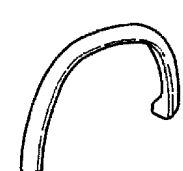

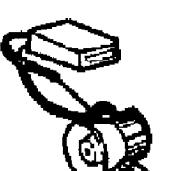
The following table interprets the VIN Plate position shown above.

Position	Interpretation	Codes = Description
1	Country of Origin	1 = Built in U.S by DaimlerChrysler
2	Assembler	D = Dodge
3	Vehicle Type	4 = Multipurpose Passenger Vehicle 7 = Truck
4	GVWR & Pass. Safety	D = 0-1.360 kg (0-3.000 lbs) E = 1.361-1.814 kg (3.001-4.000 lbs) F = 1.815-2.267 kg (4.001-5.000 lbs) G = 2.268-2721 kg (5.001-6.000 lbs) H = 2.722-3.175 kg (6.001-7.000 lbs) J = 3.176-3.628 kg (7.001-8.000 lbs) K = 3.629-4.082 kg (8.001-9000 lbs) L = 4.083-4535 kg (9.001-10.000 lbs) M = 4.536-6.350 kg (10.001-14.000 lbs)
5	Vehicle Line	R = Durango 4x2 S = Durango 4x4
6	Series	5 = Durango SLT Plus 7 = Durango R/T 3 = Durango Sport 4 = Durango SLT
7	Body Style	8 = Sport Utility 4 Door
8	Engine	N = 4.7L 8 Cyl. Gasoline (MPI) (EVA) Z = 5.9L 8 Cyl. Gasoline (MPI) LDC (EML)
9	Check Digit	0 = Check Digit 0 = Check Digit
10	Model Year	W = 1998 X = 1999 1 = 2001 2 = 2002 3 = 2003
11	Assembly Plant	F = Newark Assembly
12 thru 17	Vehicle Build Sequence	Model Year Assembly Sequence

Group - 1

Component Parts for Mopar Accessories



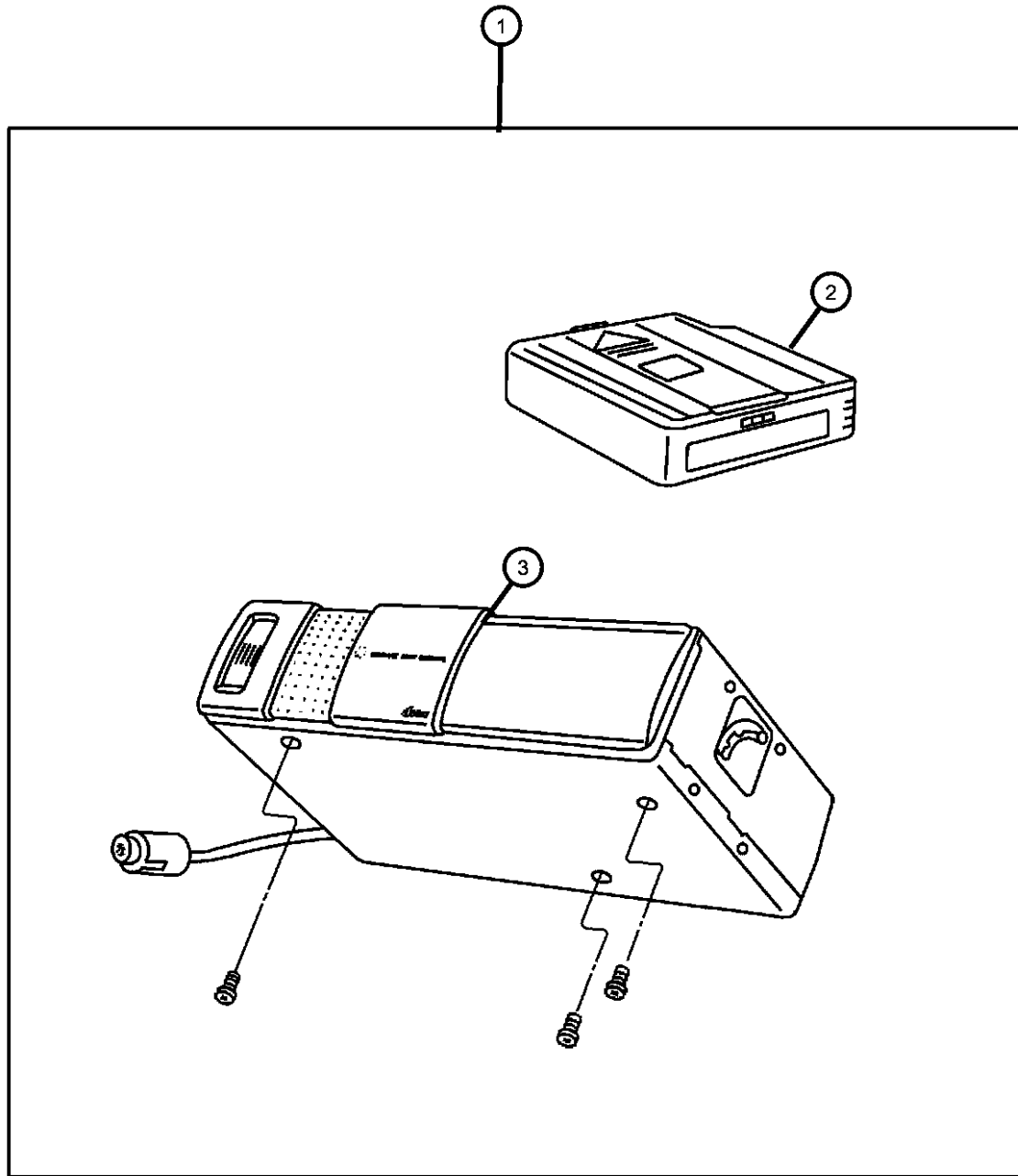
<p>001-100 Audio & Electronics</p> 	<p>001-1000 4 - Wheeling & Off Road</p> 	<p>001-200 Carriers & Cargo Hauling</p> 	<p>001-300 Driving Convenience</p> 
<p>001-400 Exterior Appearance</p> 	<p>001-500 Exterior Protection</p> 	<p>001-600 Fog Lights & Electrical</p> 	<p>001-900 Security</p> 

Group - 1 Component Parts for Mopar Accessories

Illustration Title	Group-Fig. No.
Audio & Electronics	
Player Kit - CD Changer 6 Disc	Fig. 1 - 110
Navigation Kit.....	Fig. 1 - 140
Media System - Rear Seat Video	Fig. 1 - 150
Carriers & Cargo Hauling	
Bike Carrier - Hitch Mount	Fig. 1 - 210
Bike Carrier - Roof Fork Mount.....	Fig. 1 - 212
Bike Carrier - Roof Upright Mount	Fig. 1 - 214
Carrier Kit - Canoe	Fig. 1 - 220
Ski Carrier 3 and 6 Pair	Fig. 1 - 236
Rack Kit / Multipurpose	Fig. 1 - 238
Carrier Kit - Ski, Hitch Mount	Fig. 1 - 240
Luggage Carrier Roof Mount and Behind Seat	Fig. 1 - 264
Carrier Kit / Luggage	Fig. 1 - 266
Cooler Kit - Transmission Oil	Fig. 1 - 270
Wiring Kit -Trailer Tow	Fig. 1 - 292
Driving Convenience	
Speed Control Kit	Fig. 1 - 310
Mounting Kit - Cellular Phone	Fig. 1 - 330
Exterior Appearance	
Brush Guard	Fig. 1 - 420
Grille Guard.....	Fig. 1 - 422
Exterior Protection	
Guard and Sheild Kits.....	Fig. 1 - 520
Fog Lights & Electrical	
Fog Lights.....	Fig. 1 - 620
Security	
Alarm, EVS II Security Plus.....	Fig. 1 - 910
4 - Wheeling & Off Road	
Skid Plate - Front and Transfer Case.....	Fig. 1 - 1020

Player Kit - CD Changer 6 Disc
Figure 1-110

ITEM	PART NUMBER	QTY	LINE	SERIES	BODY	ENGINE	TRANS	TRIM	DESCRIPTION
1	82207483	1							PLAYER KIT, CD Changer - 6 Disc
2	04797433	1							MAGAZINE, CD Changer
3	04797433	1							CHANGER, CD, (NOT SERVICED)



DURANGO (DN)

SERIES	LINE	BODY	ENGINE	TRANSMISSION
M = Sport	1 = 2WD (115.9 WB)	74 = 4 Door	EML = Magnum 5.9L SMPI	DGT = 4 Speed Automatic 46RE
P = SLT Plus	5 = 4WD (115.9 WB)		EVA = Next Generation 4.7L Magnum V8	DGQ = 5 Speed Automatic 5-45RFE
X = R/T			EM0 = All 5.9L	DG0 = All Automatic Transmissions
H = SLT			EVO = All 4.7L	

AR = use ase required - = Non illustrated part

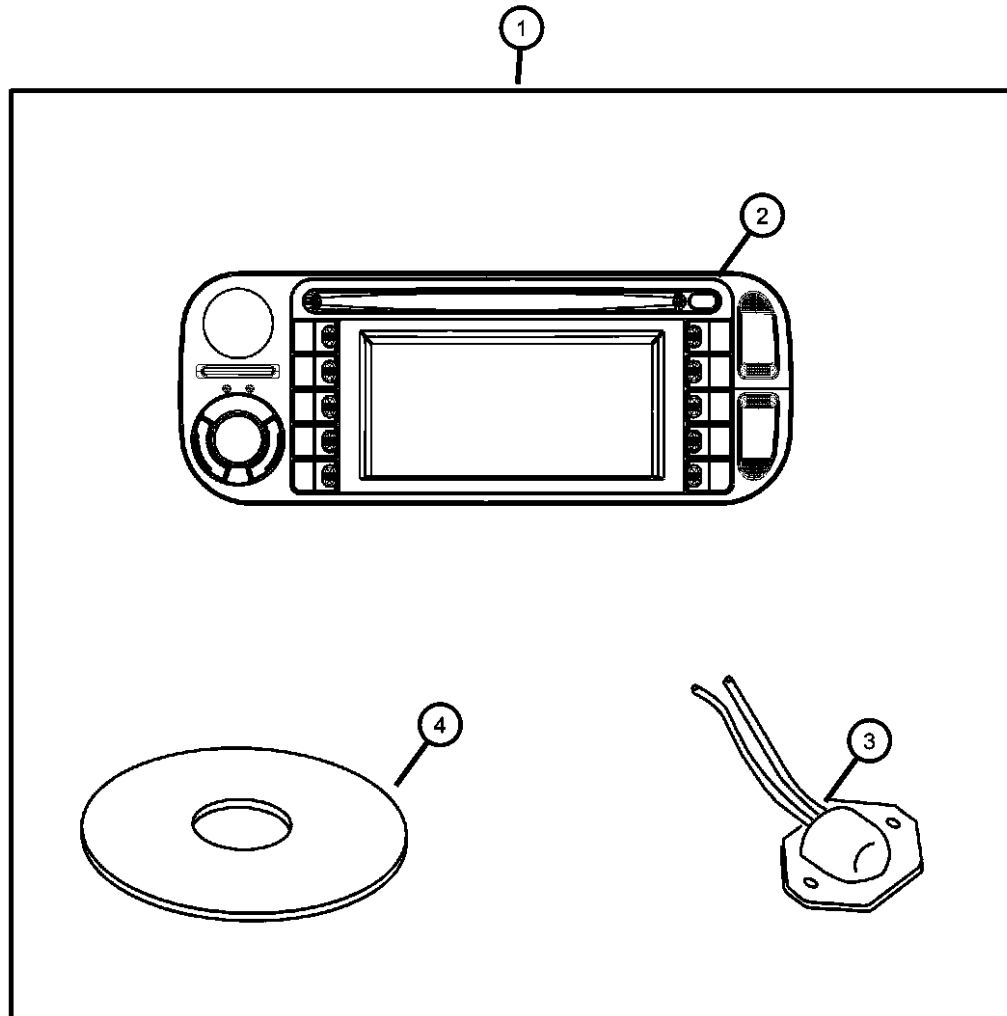
2003 DN

Navigation Kit
Figure 1-140

ITEM	PART NUMBER	QTY	LINE	SERIES	BODY	ENGINE	TRANS	TRIM	DESCRIPTION
------	-------------	-----	------	--------	------	--------	-------	------	-------------

Note: For warranty order item #2, use a 'z' prefix through funtion 11

1	82206406	1							RADIO, AM/FM CD W/NAV/DVD & CD-CTRL
2	56038629AC	1							RADIO, AM/FM CD W/NAV/DVD & CD-CTRL
3	56038630AA	1							ANTENNA, GPS
4	56038642AA	1							DVD, Geographic Database



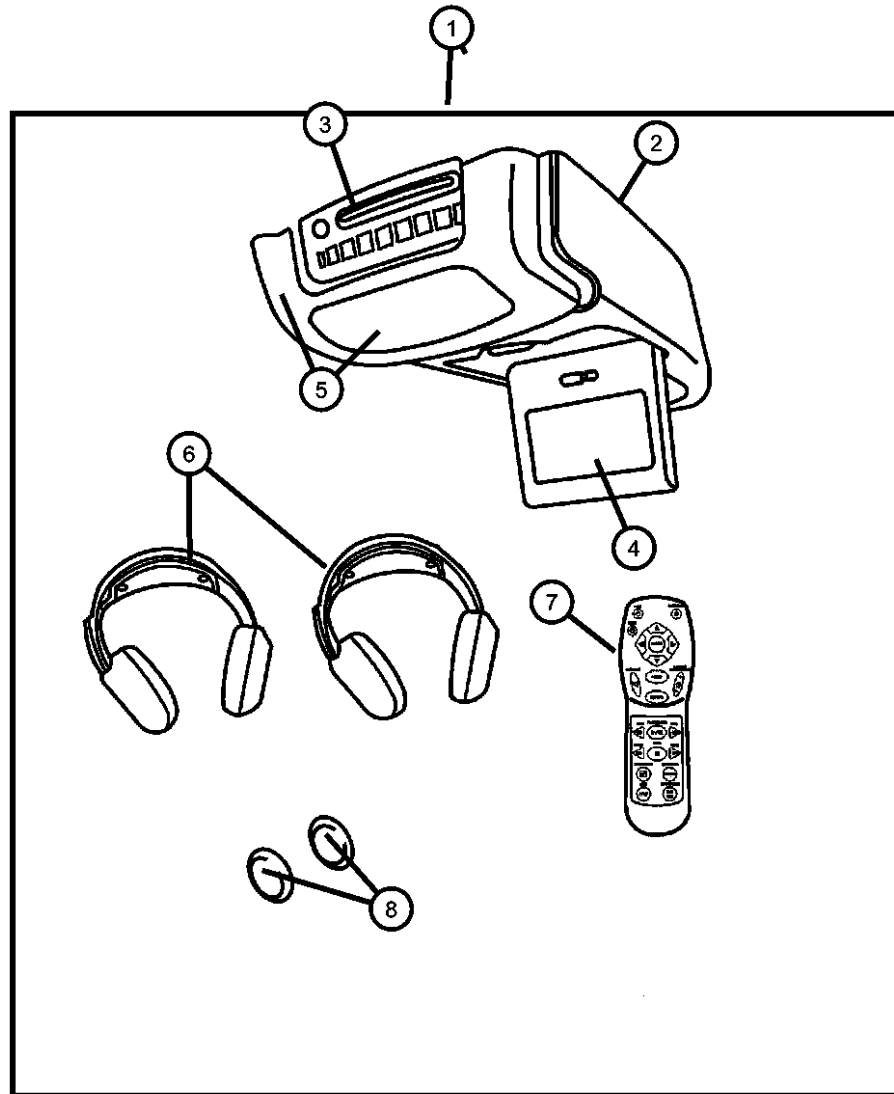
DURANGO (DN)

SERIES	LINE	BODY	ENGINE	TRANSMISSION
M = Sport	1 = 2WD (115.9 WB)	74 = 4 Door	EML = Magnum 5.9L SMPI	DGT = 4 Speed Automatic 46RE
P = SLT Plus	5 = 4WD (115.9 WB)		EVA = Next Generation 4.7L	DGQ = 5 Speed Automatic 5-45RFE
X = R/T			Magnum V8	DG0 = All Automatic Transmissions
H = SLT			EM0 = All 5.9L	
			EVO = All 4.7L	

AR = use ase required - = Non illustrated part

2003 DN

**Media System - Rear Seat Video
Figure 1-150**



ITEM	PART NUMBER	QTY	LINE	SERIES	BODY	ENGINE	TRANS	TRIM	DESCRIPTION
------	-------------	-----	------	--------	------	--------	-------	------	-------------

NOTES:

For service of the DVD Monitor and Screen contact the Repair Center through Dial function 11.

1	82206274	1							MEDIA SYSTEM, Monitor with DVD
2	05080694AA	1							HOUSING, Monitor
3	05080686AA	1							PLAYER, DVD - Single Play
4	05080710AA	1							MONITOR, Media System
5	05080691AA	1							BEZEL
6	05080690AA	1							HEADPHONES, Wireless Infrared
7	05080692AA	1							REMOTE, Wireless Infrared
8	05066384AA	1							CUSHION, Headphone
-9	05083162AA	1							MODULATOR, FM
-10	05086142AA	1							HARDWARE KIT, MultiMedia System
-11	05103137AA	1							MANUAL, Owner

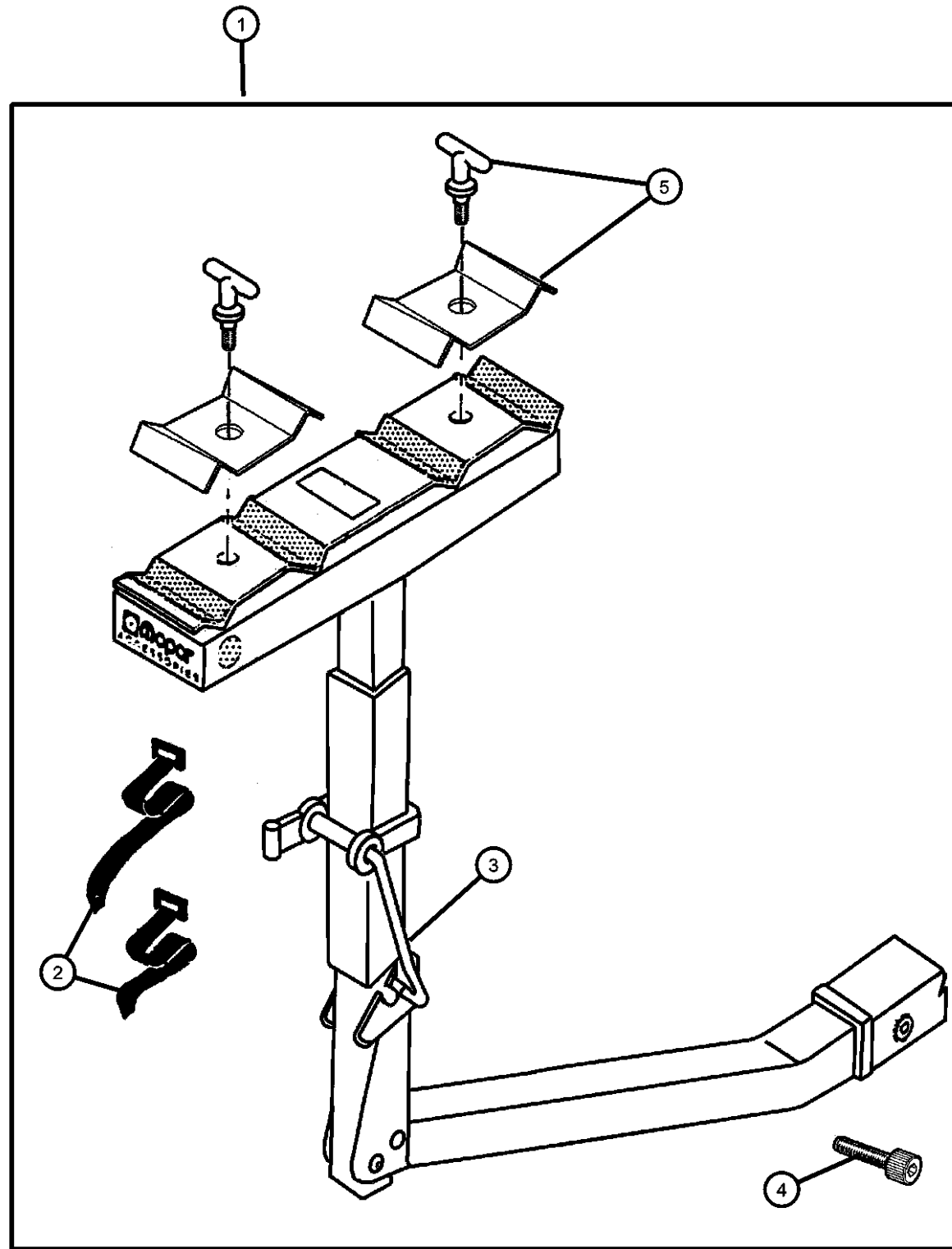
DURANGO (DN)

SERIES	LINE	BODY	ENGINE	TRANSMISSION
M = Sport	1 = 2WD (115.9 WB)	74 = 4 Door	EML = Magnum 5.9L SMPI	DGT = 4 Speed Automatic 46RE
P = SLT Plus	5 = 4WD (115.9 WB)		EVA = Next Generation 4.7L Magnum V8	DGQ = 5 Speed Automatic 5-45RFE
X = R/T			EMO = All 5.9L	DG0 = All Automatic Transmissions
H = SLT			EVO = All 4.7L	

AR = use ase required - = Non illustrated part

2003 DN

Bike Carrier - Hitch Mount
Figure 1-210



ITEM	PART NUMBER	QTY	LINE	SERIES	BODY	ENGINE	TRANS	TRIM	DESCRIPTION
1									CARRIER KIT, Bike
	82204328	1	1, 5		74				Four Bike
	82204453	1	1, 5		74				Two Bike
2	04762880	1	1, 5		74				STRAP KIT, Velcro, Contains: 1-Long and 1-Short Strap
3	05016775AA	1							STRAP KIT, Bike Carrier Latch, Contains: 2-Rubber Straps
4	05016776AA	1	1, 5		74				BOLT KIT, Security, Contains: Bolt, Wrench, Washer and Nut
5	05018825AA	1	1, 5		74				HARDWARE KIT, Bike Carrier, Contains: T-Handle, Lock Strap, Top Clamp and Nylon Washer

DURANGO (DN)

SERIES	LINE	BODY	ENGINE	TRANSMISSION
M = Sport	1 = 2WD (115.9 WB)	74 = 4 Door	EML = Magnum 5.9L SMPI	DGT = 4 Speed Automatic 46RE
P = SLT Plus	5 = 4WD (115.9 WB)		EVA = Next Generation 4.7L Magnum V8	DGQ = 5 Speed Automatic 5-45RFE
X = R/T			EMO = All 5.9L	DG0 = All Automatic Transmissions
H = SLT			EVO = All 4.7L	

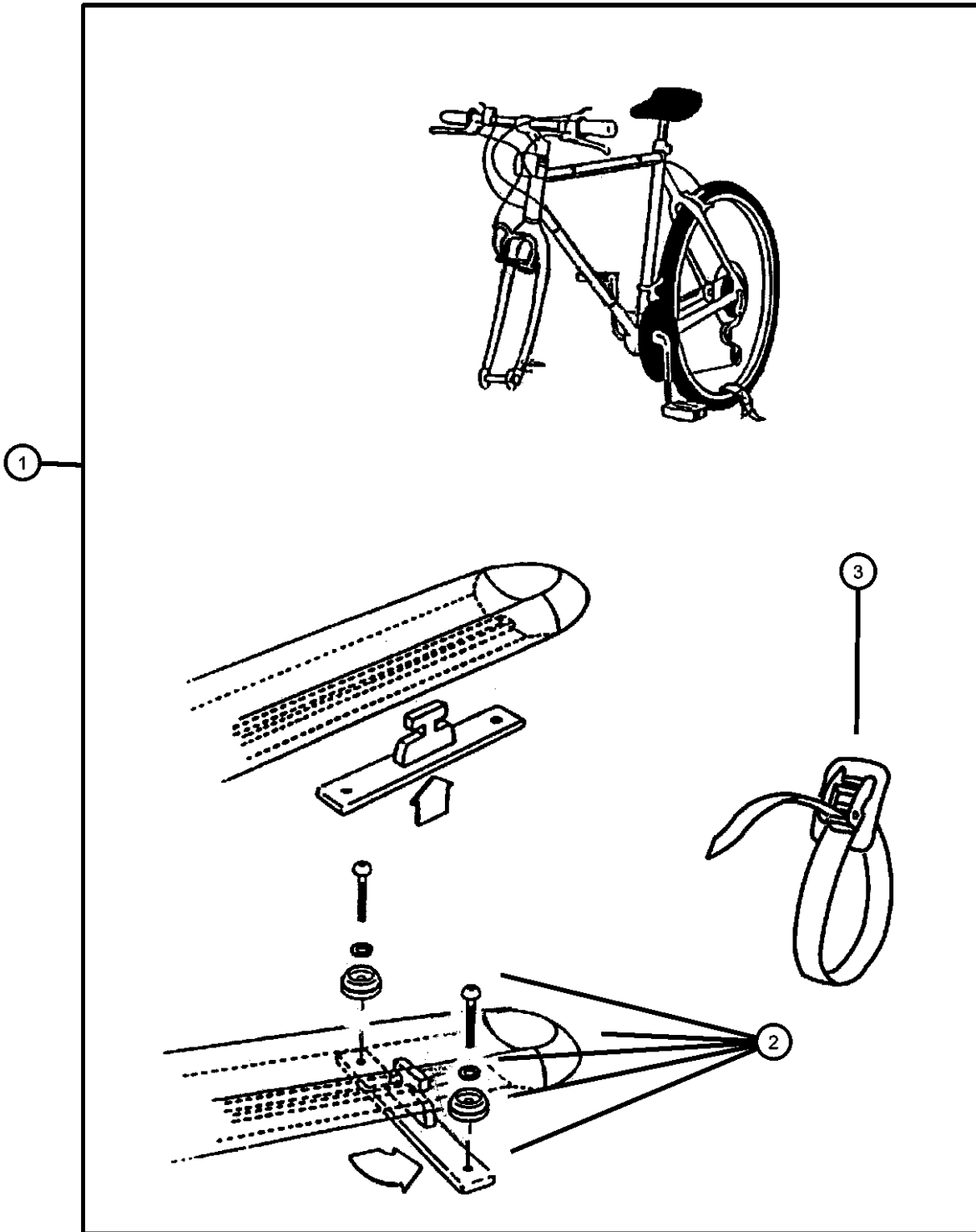
AR = use ase required - = Non illustrated part

Bike Carrier - Roof Fork Mount
Figure 1-212

ITEM	PART NUMBER	QTY	LINE	SERIES	BODY	ENGINE	TRANS	TRIM	DESCRIPTION
------	-------------	-----	------	--------	------	--------	-------	------	-------------

NOTE: Hardware Kit also contained in Carrier Kit.

1	82207943	1			74				CARRIER KIT, Bike, Fork - Mount
2	05093779AA	1	1, 5		74				HARDWARE KIT, Accessory
3	05016513AA	1	1, 5		74				STRAP, Cargo Tie Down, Contains: 2 Straps
-4	05066632AA	1	1, 5		74				TOOL, Screw Driver



DURANGO (DN)

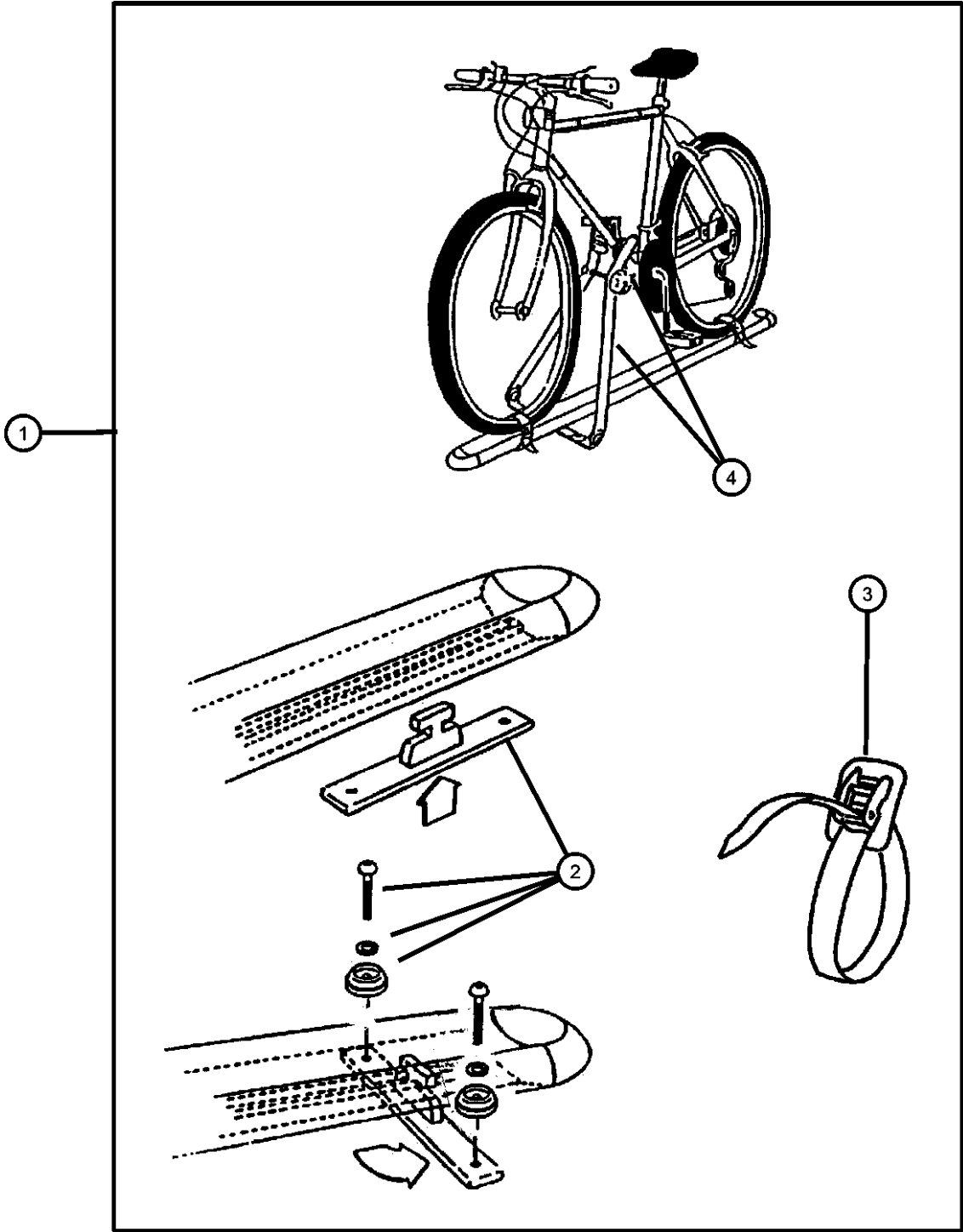
SERIES	LINE	BODY	ENGINE	TRANSMISSION
M = Sport	1 = 2WD (115.9 WB)	74 = 4 Door	EML = Magnum 5.9L SMPI	DGT = 4 Speed Automatic 46RE
P = SLT Plus	5 = 4WD (115.9 WB)		EVA = Next Generation 4.7L Magnum V8	DGQ = 5 Speed Automatic 5-45RFE
X = R/T			EMO = All 5.9L	DG0 = All Automatic Transmissions
H = SLT			EVO = All 4.7L	

AR = use ase required - = Non illustrated part

2003 DN

Bike Carrier - Roof Upright Mount
Figure 1-214

ITEM	PART NUMBER	QTY	LINE	SERIES	BODY	ENGINE	TRANS	TRIM	DESCRIPTION
1	82203471	1	1, 5		74				CARRIER KIT, Bike, Upright - Mount
2	82203471	1							HARDWARE KIT, Accessory, (NOT SERVICED)
3	05016513AA	1	1, 5		74				STRAP, Cargo Tie Down
4	05018194AA	1	1, 5		74				HARDWARE KIT, Bike Carrier
-5	05066632AA	1	1, 5		74				TOOL, Screw Driver



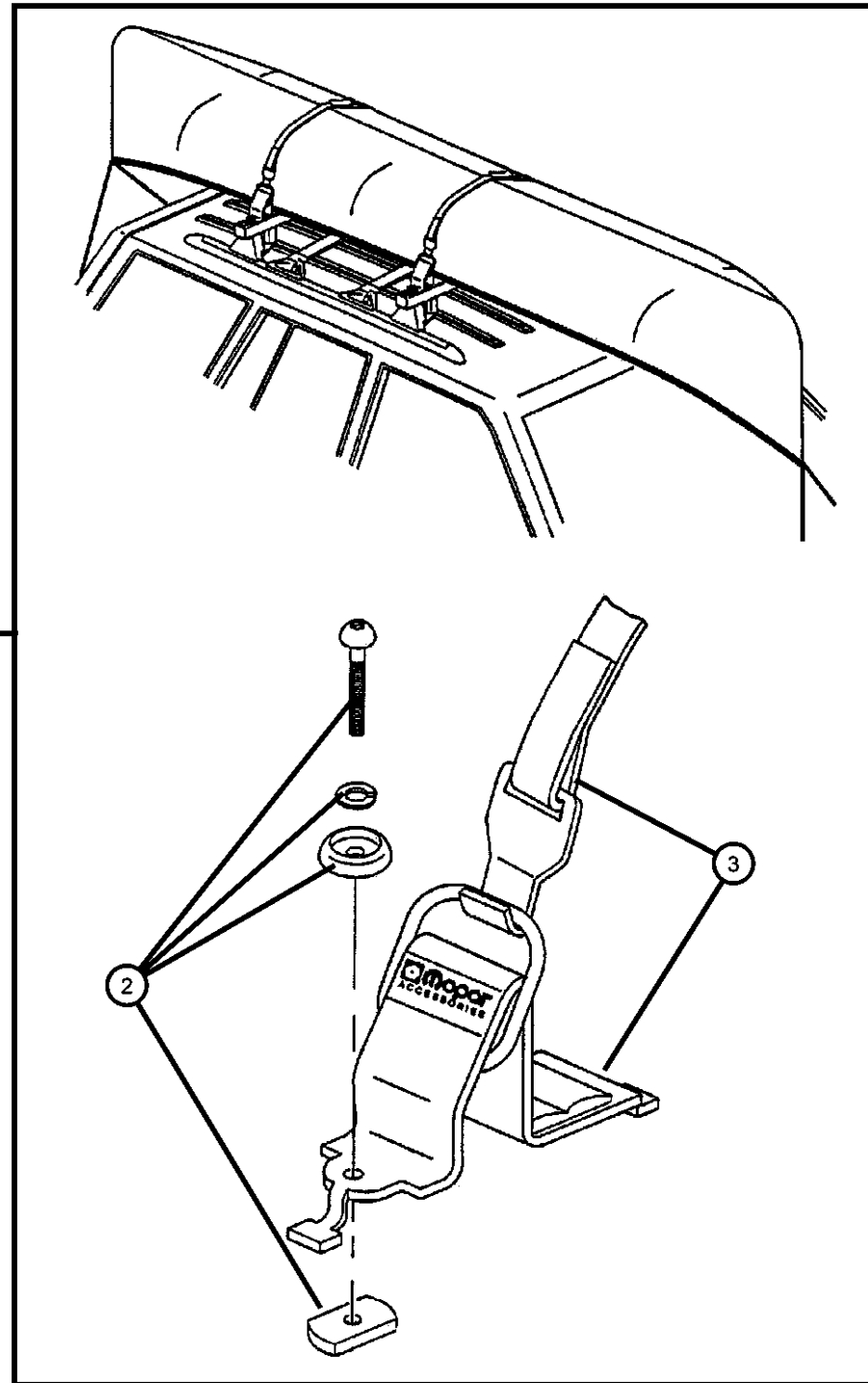
DURANGO (DN)

SERIES	LINE	BODY	ENGINE	TRANSMISSION
M = Sport	1 = 2WD (115.9 WB)	74 = 4 Door	EML = Magnum 5.9L SMPI	DGT = 4 Speed Automatic 46RE
P = SLT Plus	5 = 4WD (115.9 WB)		EVA = Next Generation 4.7L	DGQ = 5 Speed Automatic 5-45RFE
X = R/T			Magnum V8	DG0 = All Automatic Transmissions
H = SLT			EM0 = All 5.9L	
			EVO = All 4.7L	

AR = use ase required - = Non illustrated part

Carrier Kit - Canoe
Figure 1-220

ITEM	PART NUMBER	QTY	LINE	SERIES	BODY	ENGINE	TRANS	TRIM	DESCRIPTION
------	-------------	-----	------	--------	------	--------	-------	------	-------------



NOTE:
Use only with Sport Utility Bar
Hardware Kit also contained in Carrier Kit

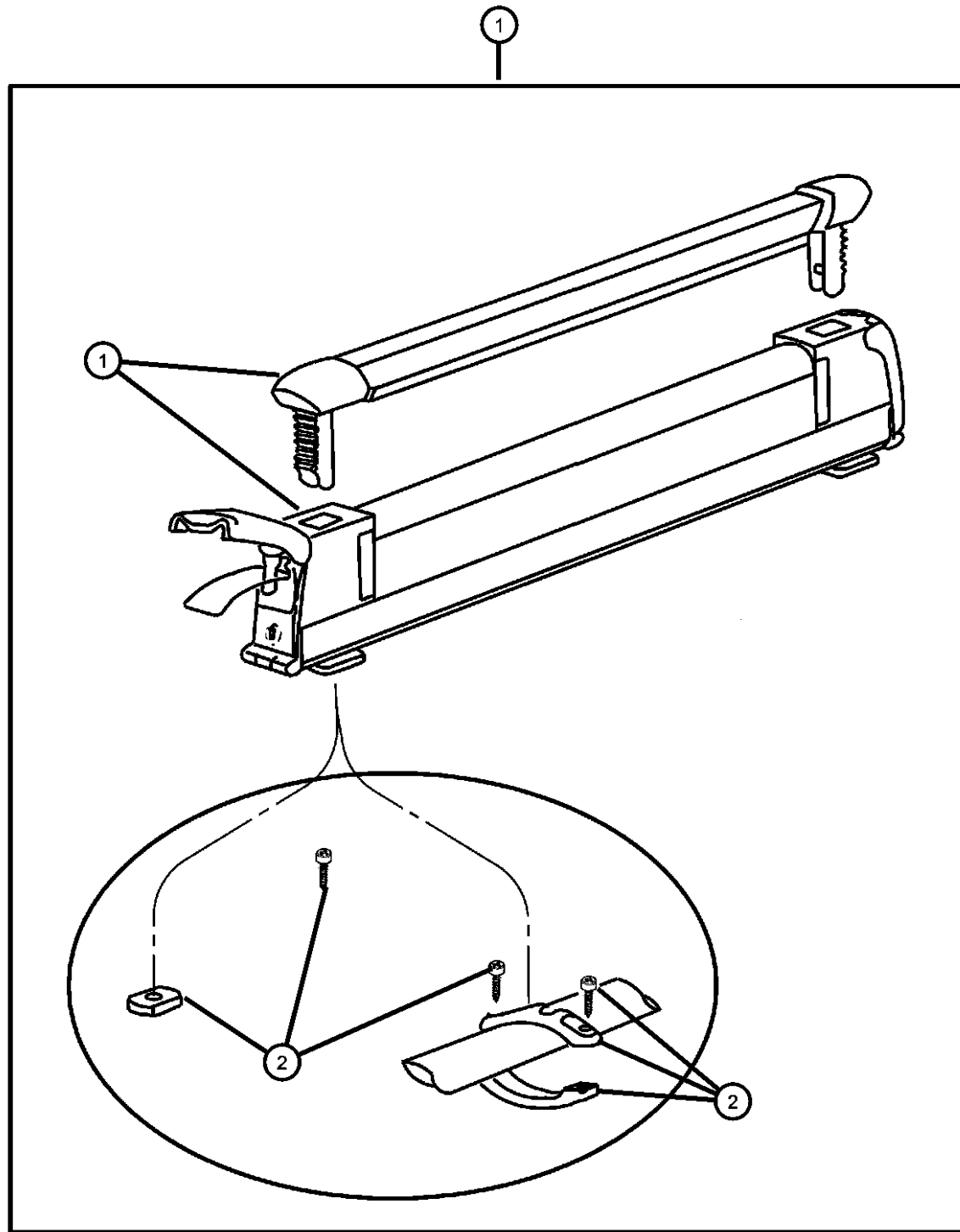
1	82204700	1							CARRIER KIT, Canoe
2	05016389AA	1	1, 5		74				HARDWARE KIT, Accessory
3	05016511AA	1	1, 5		74				STRAP, Cargo Tie Down

DURANGO (DN)

SERIES	LINE	BODY	ENGINE	TRANSMISSION
M = Sport	1 = 2WD (115.9 WB)	74 = 4 Door	EML = Magnum 5.9L SMPI	DGT = 4 Speed Automatic 46RE
P = SLT Plus	5 = 4WD (115.9 WB)		EVA = Next Generation 4.7L Magnum V8	DGQ = 5 Speed Automatic 5-45RFE
X = R/T			EMO = All 5.9L	DG0 = All Automatic Transmissions
H = SLT			EVO = All 4.7L	

AR = use ase required - = Non illustrated part

Ski Carrier 3 and 6 Pair
Figure 1-236



ITEM	PART NUMBER	QTY	LINE	SERIES	BODY	ENGINE	TRANS	TRIM	DESCRIPTION
1									CARRIER KIT, Ski
	82207308	1							
	82207312	1							3 Pair
2	05086158AA	1							HARDWARE KIT, Accessory
-3	05066632AA	1							TOOL, Screw Driver

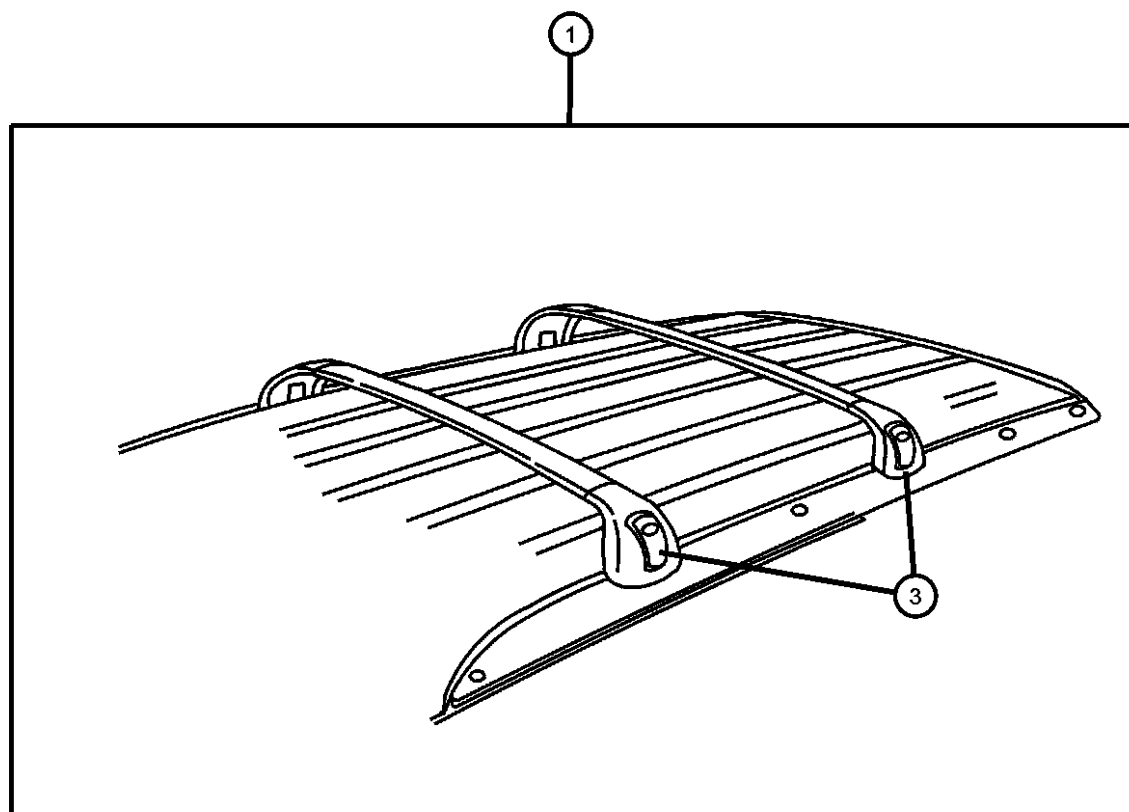
DURANGO (DN)

SERIES	LINE	BODY	ENGINE	TRANSMISSION
M = Sport	1 = 2WD (115.9 WB)	74 = 4 Door	EML = Magnum 5.9L SMPI	DGT = 4 Speed Automatic 46RE
P = SLT Plus	5 = 4WD (115.9 WB)		EVA = Next Generation 4.7L Magnum V8	DGQ = 5 Speed Automatic 5-45RFE
X = R/T			EMO = All 5.9L	DG0 = All Automatic Transmissions
H = SLT			EVO = All 4.7L	

AR = use ase required - = Non illustrated part

**Rack Kit / Multipurpose
Figure 1-238**

ITEM	PART NUMBER	QTY	LINE	SERIES	BODY	ENGINE	TRANS	TRIM	DESCRIPTION
1	82207959	1			74				RACK KIT, Multipurpose
-2	05066632AA	1							TOOL, Screw Driver
3	05072276AA	1			74				END CAP, Roof Rack Side Rail



DURANGO (DN)

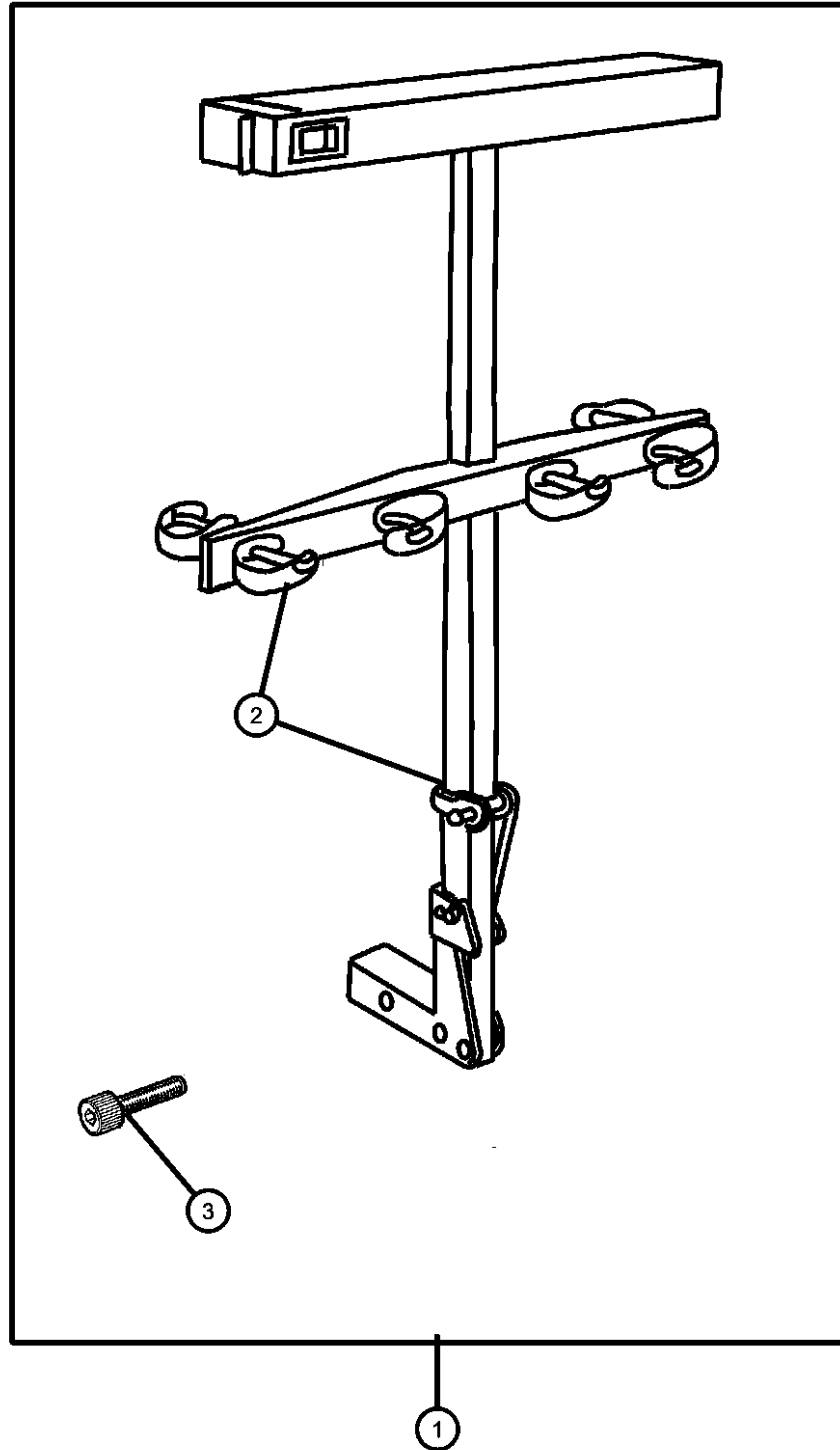
SERIES	LINE	BODY	ENGINE	TRANSMISSION
M = Sport	1 = 2WD (115.9 WB)	74 = 4 Door	EML = Magnum 5.9L SMPI	DGT = 4 Speed Automatic 46RE
P = SLT Plus	5 = 4WD (115.9 WB)		EVA = Next Generation 4.7L Magnum V8	DGQ = 5 Speed Automatic 5-45RFE
X = R/T			EMO = All 5.9L	DG0 = All Automatic Transmissions
H = SLT			EVO = All 4.7L	

AR = use ase required - = Non illustrated part

2003 DN

Carrier Kit - Ski, Hitch Mount
Figure 1-240

ITEM	PART NUMBER	QTY	LINE	SERIES	BODY	ENGINE	TRANS	TRIM	DESCRIPTION
1	82204455	1	1, 5		74				CARRIER KIT, Ski - 4 Pair
2	05016775AA	1							STRAP KIT, Bike Carrier Latch, Contains: 2-Rubber Straps
3	05016776AA	1	1, 5		74				BOLT KIT, Security



DURANGO (DN)

SERIES	LINE	BODY	ENGINE	TRANSMISSION
M = Sport	1 = 2WD (115.9 WB)	74 = 4 Door	EML = Magnum 5.9L SMPI	DGT = 4 Speed Automatic 46RE
P = SLT Plus	5 = 4WD (115.9 WB)		EVA = Next Generation 4.7L Magnum V8	DGQ = 5 Speed Automatic 5-45RFE
X = R/T			EMO = All 5.9L	DG0 = All Automatic Transmissions
H = SLT			EVO = All 4.7L	

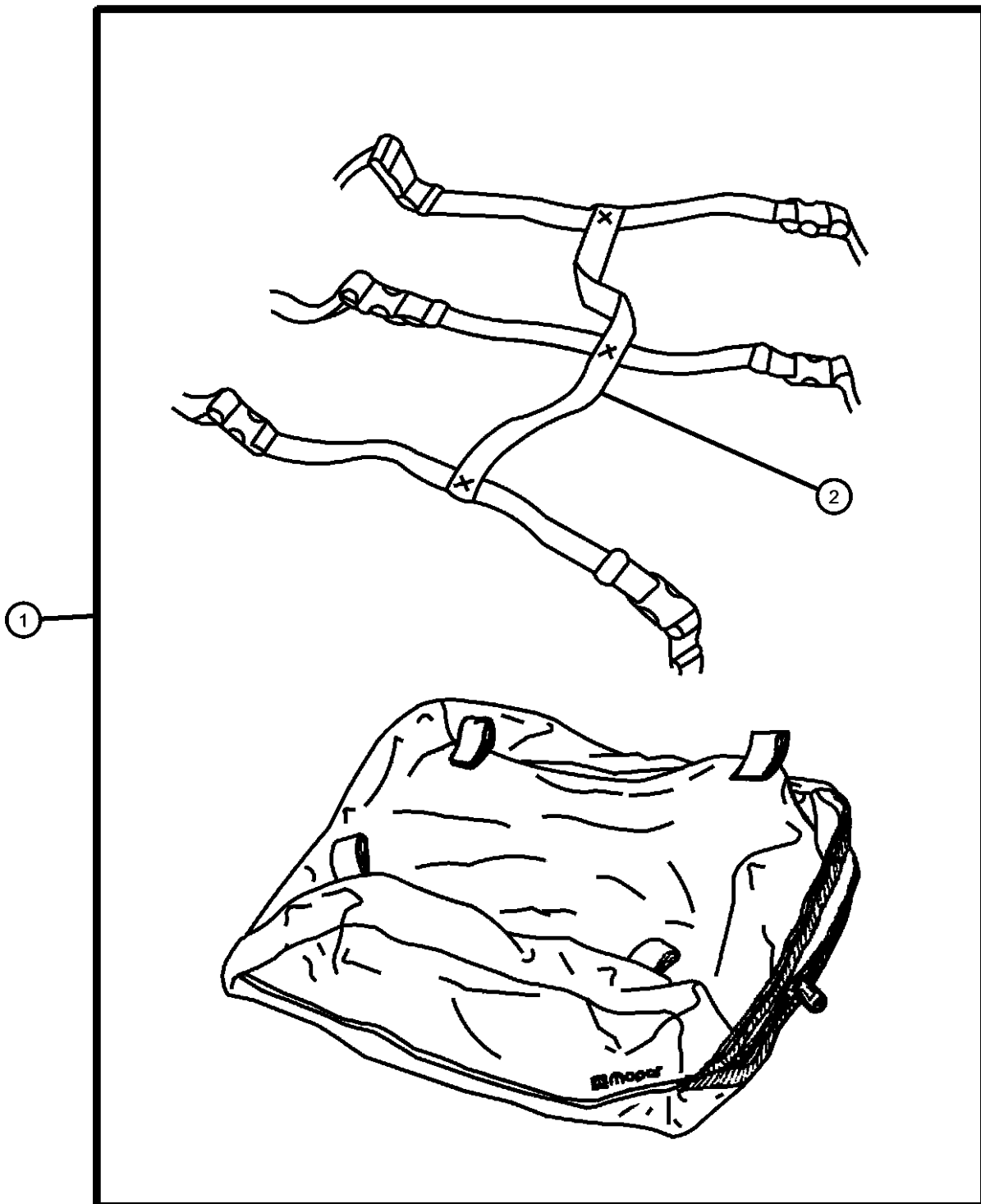
AR = use ase required - = Non illustrated part

Luggage Carrier Roof Mount and Behind Seat
Figure 1-264

ITEM	PART NUMBER	QTY	LINE	SERIES	BODY	ENGINE	TRANS	TRIM	DESCRIPTION
------	-------------	-----	------	--------	------	--------	-------	------	-------------

NOTE: Requires Roof Rack.

1	82207198	1			74				CARRIER KIT, Luggage
2	05066332AA	1			74				STRAP KIT, Luggage Carrier



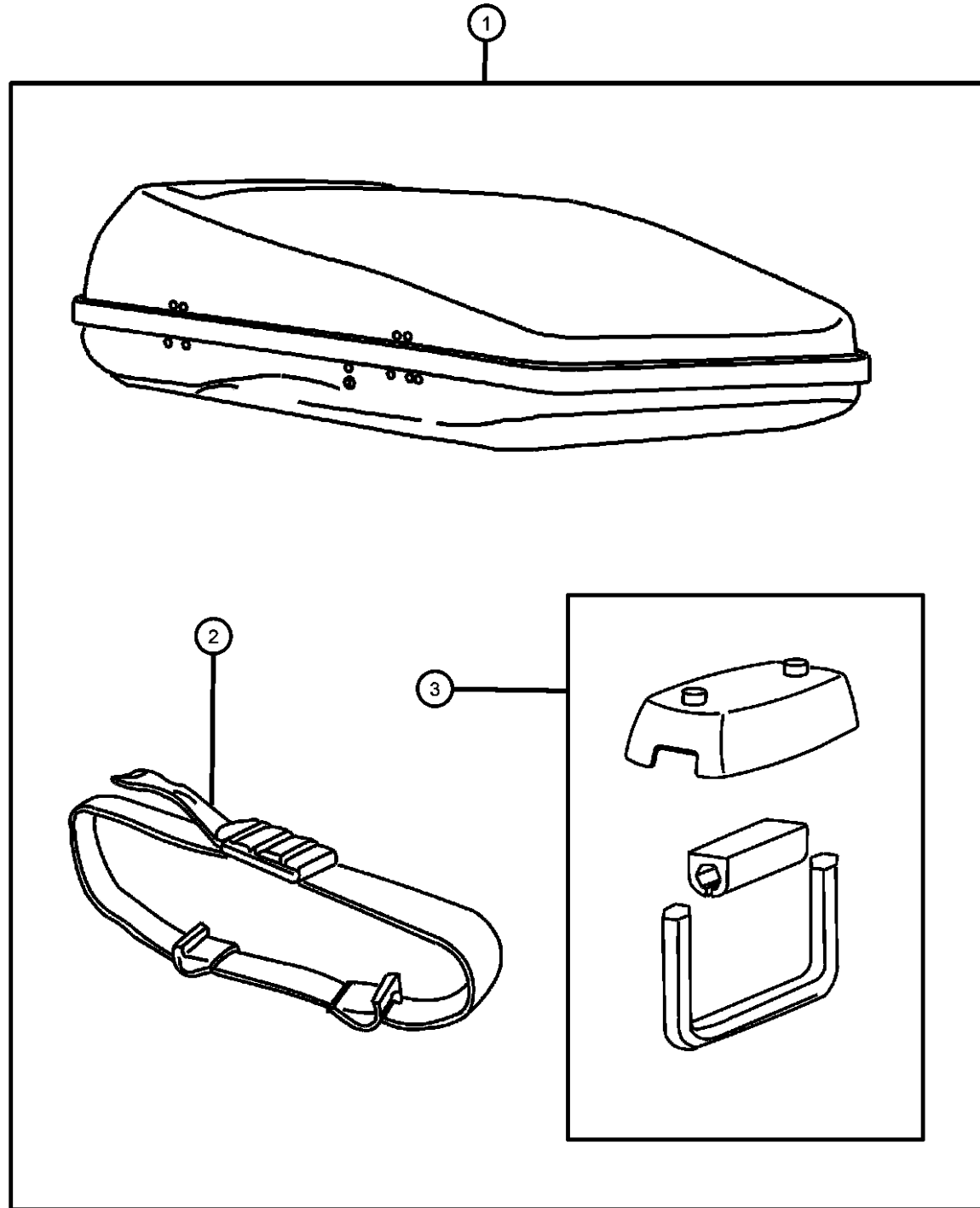
DURANGO (DN)

SERIES	LINE	BODY	ENGINE	TRANSMISSION
M = Sport	1 = 2WD (115.9 WB)	74 = 4 Door	EML = Magnum 5.9L SMPI	DGT = 4 Speed Automatic 46RE
P = SLT Plus	5 = 4WD (115.9 WB)		EVA = Next Generation 4.7L Magnum V8	DGQ = 5 Speed Automatic 5-45RFE
X = R/T			EMO = All 5.9L	DG0 = All Automatic Transmissions
H = SLT			EVO = All 4.7L	

AR = use ase required - = Non illustrated part

2003 DN

Carrier Kit / Luggage
Figure 1-266



ITEM	PART NUMBER	QTY	LINE	SERIES	BODY	ENGINE	TRANS	TRIM	DESCRIPTION
1	82207341	1							CARRIER KIT, Luggage 480 Liter Capacity
	82207353	1							440 Liter Capacity
2	05086160AA	1							STRAP, Cargo Tie Down
3	05086159AA	4							HARDWARE KIT

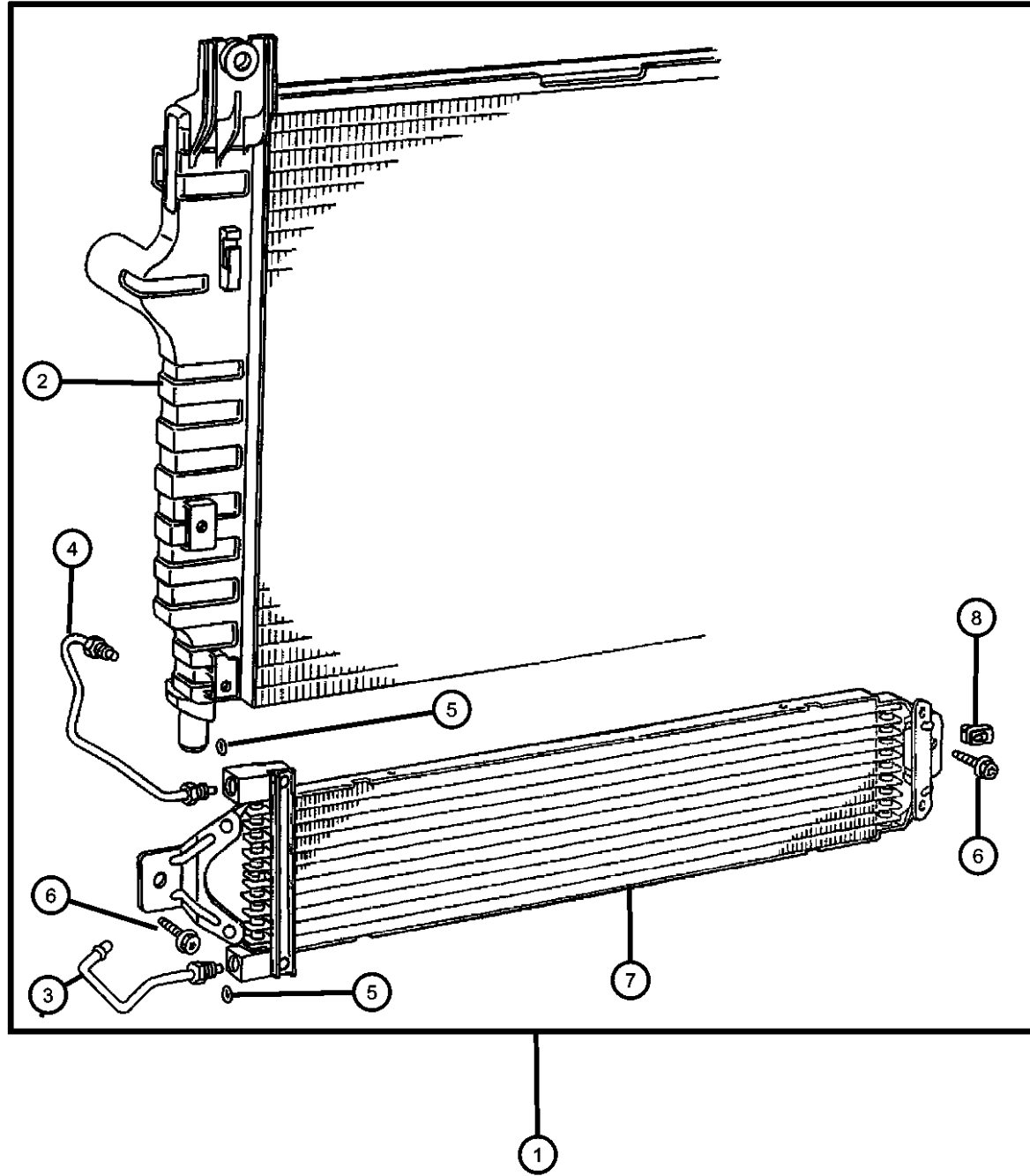
DURANGO (DN)

SERIES	LINE	BODY	ENGINE	TRANSMISSION
M = Sport	1 = 2WD (115.9 WB)	74 = 4 Door	EML = Magnum 5.9L SMPI	DGT = 4 Speed Automatic 46RE
P = SLT Plus	5 = 4WD (115.9 WB)		EVA = Next Generation 4.7L Magnum V8	DGQ = 5 Speed Automatic 5-45RFE
X = R/T			EMO = All 5.9L	DG0 = All Automatic Transmissions
H = SLT			EVO = All 4.7L	

AR = use ase required - = Non illustrated part

2003 DN

Cooler Kit - Transmission Oil
Figure 1-270



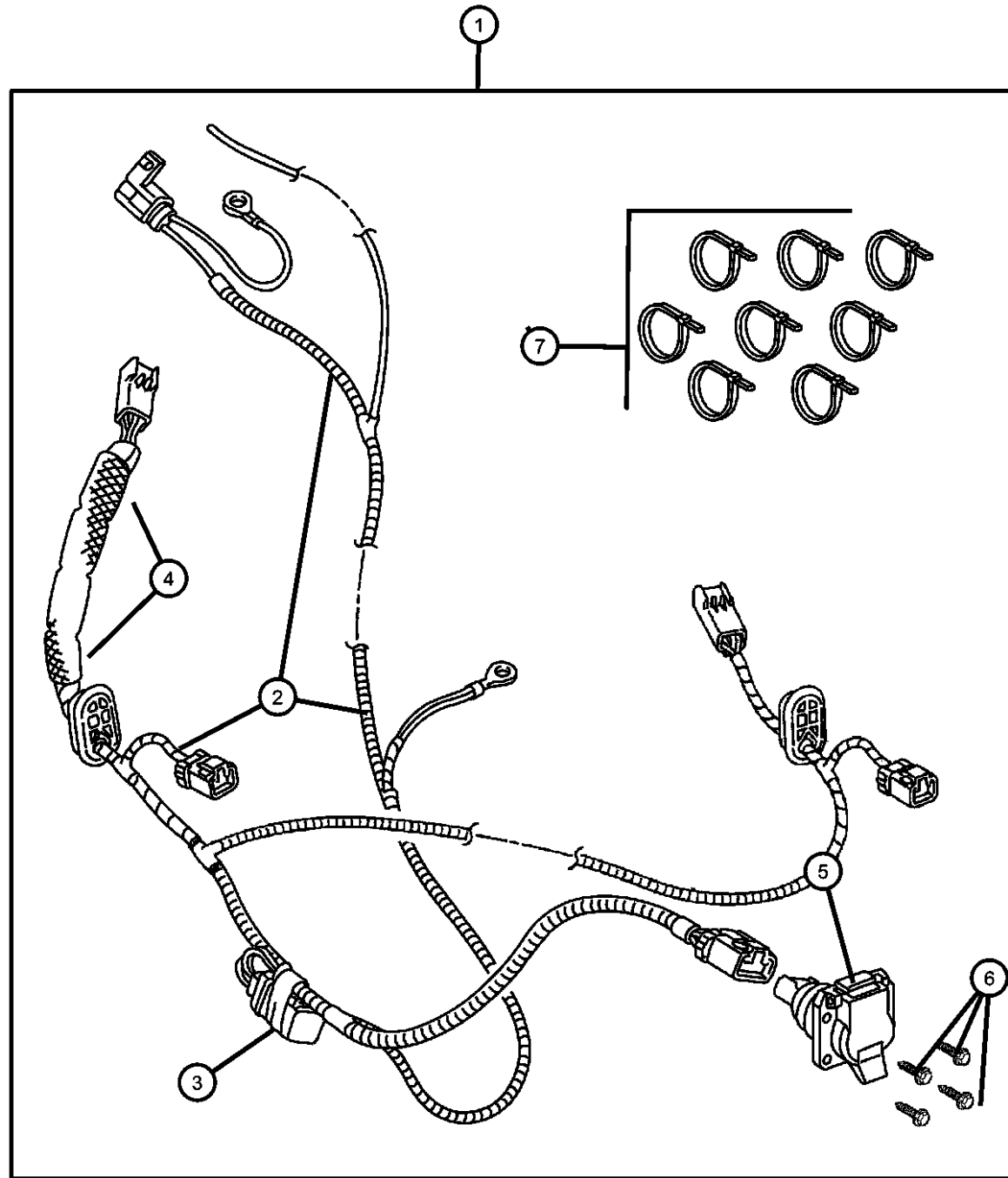
ITEM	PART NUMBER	QTY	LINE	SERIES	BODY	ENGINE	TRANS	TRIM	DESCRIPTION
1	82205678	1	1, 5		74				COOLER PACKAGE, Transmission Oil
2	52028818AD 05066386AA	1							RADIATOR, Engine Cooling Mopar Coolant 5 Year/100,000 Mile Formula 1 Gallon
3	05015415AA	1	1, 5		74				TUBE, Oil Cooler
4	05015416AA	1	1, 5		74				TUBE, Oil Cooler
5	05016144AA	1							SEAL, O-Ring
6	04734274	4							SCREW, M6x1.0
7	52028779AB	1							COOLER, Auxiliary Oil
8	52028779AB	1							U-NUT, M6 x 1.00, M6x1.00, (NOT SERVICED)

DURANGO (DN)

SERIES	LINE	BODY	ENGINE	TRANSMISSION
M = Sport	1 = 2WD (115.9 WB)	74 = 4 Door	EML = Magnum 5.9L SMPI	DGT = 4 Speed Automatic 46RE
P = SLT Plus	5 = 4WD (115.9 WB)		EVA = Next Generation 4.7L Magnum V8	DGQ = 5 Speed Automatic 5-45RFE
X = R/T			EMO = All 5.9L	DG0 = All Automatic Transmissions
H = SLT			EVO = All 4.7L	

AR = use ase required - = Non illustrated part

Wiring Kit -Trailer Tow
Figure 1-292



ITEM	PART NUMBER	QTY	LINE	SERIES	BODY	ENGINE	TRANS	TRIM	DESCRIPTION
1	82204721	1			74				WIRING KIT, Trailer Tow - 7 Way
2	82204721	1							WIRING PACKAGE, Trailer Tow, Serviced in package, (NOT SERVICED)
3	56007078	1	1, 5		74				RELAY, Electrical
4	04671168	1	1, 5		74				RELAY, Mini
5	56038366AB	1							CONNECTOR, 7 Way
6	00154633	1			74				SCREW, .164-18x.625
7	56008876	1							STRAP, Tie
-8	00154554	1			74				SCREW, Self Piercing, .25-14x.625

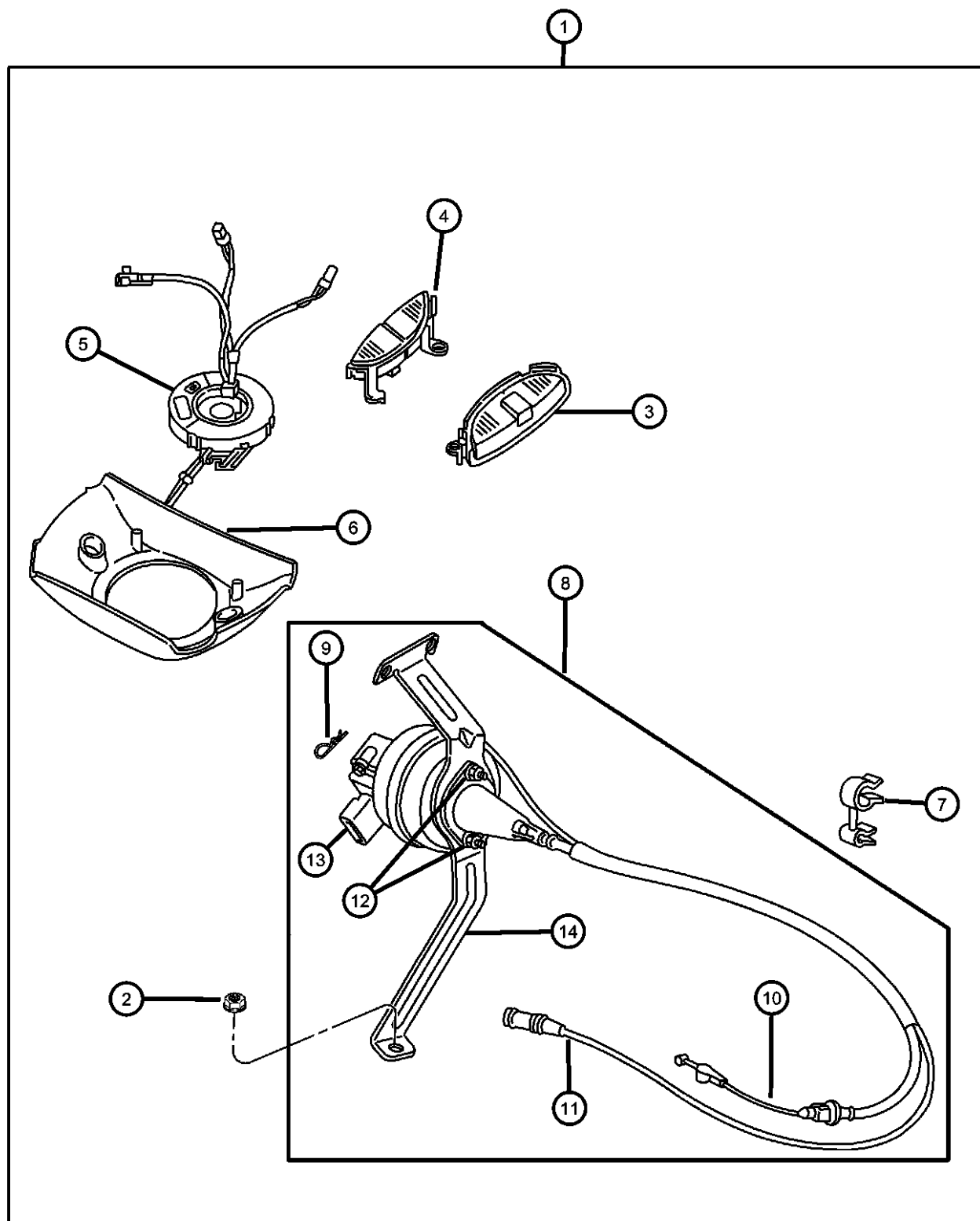
DURANGO (DN)

SERIES	LINE	BODY	ENGINE	TRANSMISSION
M = Sport	1 = 2WD (115.9 WB)	74 = 4 Door	EML = Magnum 5.9L SMPI	DGT = 4 Speed Automatic 46RE
P = SLT Plus	5 = 4WD (115.9 WB)		EVA = Next Generation 4.7L Magnum V8	DGQ = 5 Speed Automatic 5-45RFE
X = R/T			EMO = All 5.9L	DG0 = All Automatic Transmissions
H = SLT			EVO = All 4.7L	

AR = use ase required - = Non illustrated part

2003 DN

**Speed Control Kit
Figure 1-310**



ITEM	PART NUMBER	QTY	LINE	SERIES	BODY	ENGINE	TRANS	TRIM	DESCRIPTION
1									CONTROL PACKAGE, Speed Control
	82206969	1	1, 5		74				3.9L V6
	82206970	1	1, 5		74				4.7L V8
	82206971	1	1, 5		74				5.9L V8
2	82206971	1							NUT AND WASHER, M6x1.00, (NOT SERVICED),
3	56021332AB	1							SWITCH, Speed Control, Right
4	56021333AB	1							SWITCH, Speed Control, Left
5	56045403AF	1							CLOCKSPRING
6									SHROUD, Steering Column
	5GE09WL8AC	1							DK. Taupe
	5GE09XD-VAC	1							DK Slate Gray
	5GE09XTMAC	1							DK Sandstone
7	06506545AA	1							CLIP, Cruise Control, 4.7L V8
8	06506545AA	1							CONTROL, Speed, Service Component Parts, (NOT SERVICED)
9	06025867	1							CLIP, Cable to Servo Attach
10									CABLE, Speed Control
	05015853AA	1							5.9L V8
	05015857AE	1							4.7L V8
11									HARNESS, Speed Control Vacuum
	05015845AA	1							5.9L V8
	05015846AA	1							
12	06500274	14							LOCK NUT, M6x1.0x6
13	04669977	1							SERVO, Speed Control
14	05015843AA	1							BRACKET, Cruise Control Servo

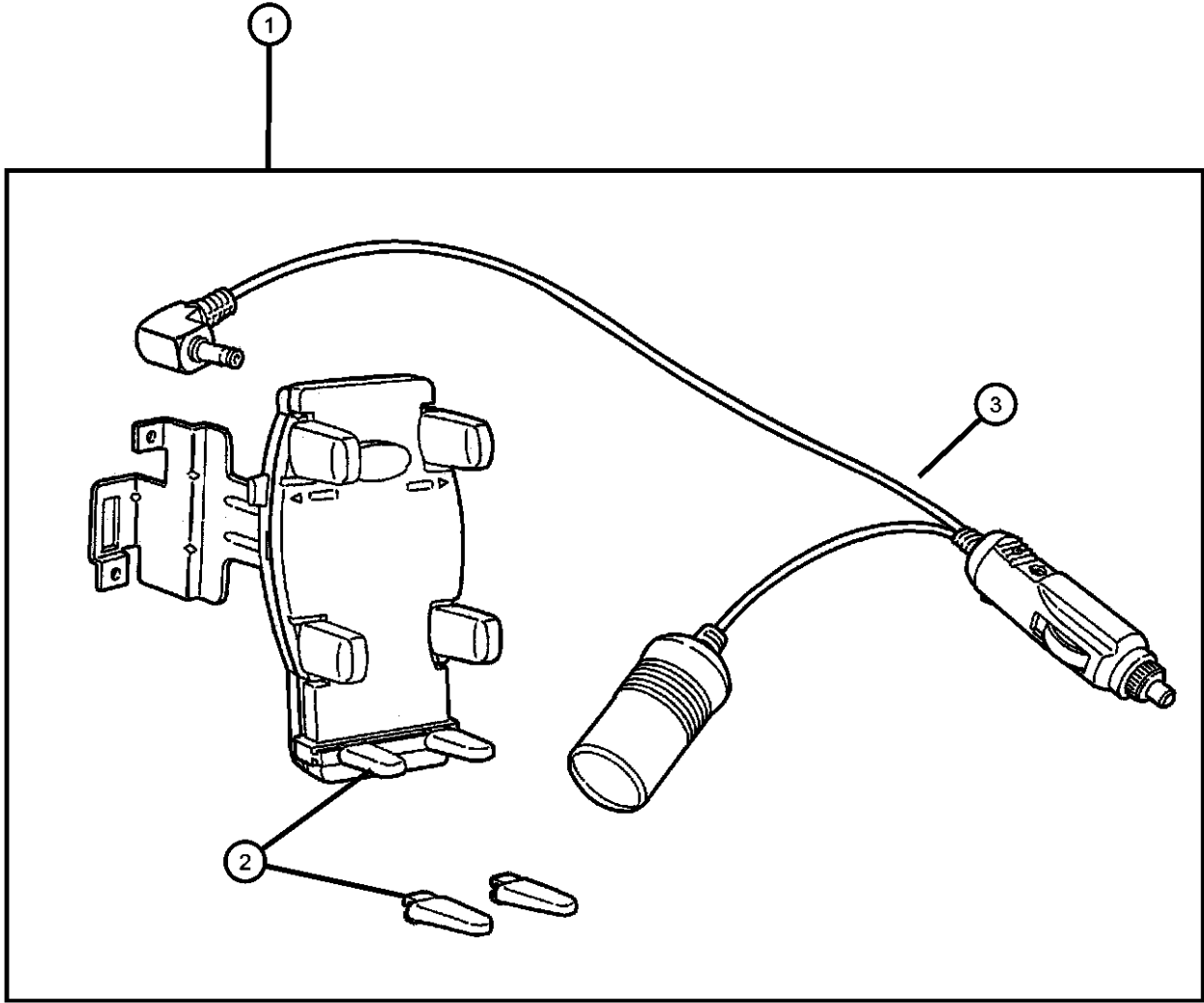
DURANGO (DN)

SERIES	LINE	BODY	ENGINE	TRANSMISSION
M = Sport	1 = 2WD (115.9 WB)	74 = 4 Door	EML = Magnum 5.9L SMPI	DGT = 4 Speed Automatic 46RE
P = SLT Plus	5 = 4WD (115.9 WB)		EVA = Next Generation 4.7L Magnum V8	DGQ = 5 Speed Automatic 5-45RFE
X = R/T			EMO = All 5.9L	DG0 = All Automatic Transmissions
H = SLT			EVO = All 4.7L	

AR = use ase required - = Non illustrated part

Mounting Kit - Cellular Phone
Figure 1-330

ITEM	PART NUMBER	QTY	LINE	SERIES	BODY	ENGINE	TRANS	TRIM	DESCRIPTION
1	82206685	1							MOUNTING KIT, Cellular Phone
2	05018103AA	1							HARDWARE KIT, Accessory, Contains: Set of Long Support Feet
3	05018104AA	1							CORD, Cellular Phone, 7.5 inch length with 'Y' Accessory Feed



DURANGO (DN)

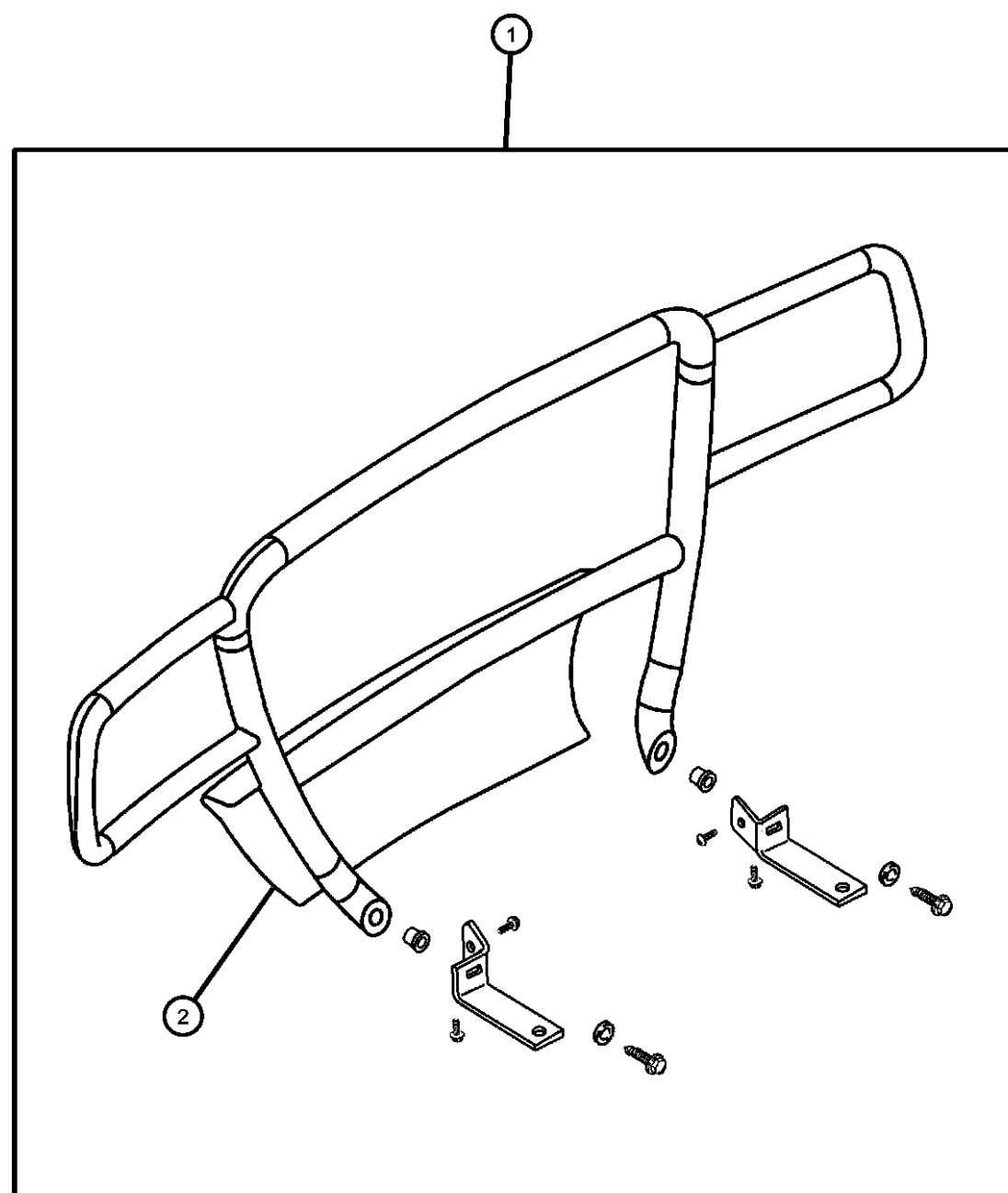
SERIES	LINE	BODY	ENGINE	TRANSMISSION
M = Sport	1 = 2WD (115.9 WB)	74 = 4 Door	EML = Magnum 5.9L SMPI	DGT = 4 Speed Automatic 46RE
P = SLT Plus	5 = 4WD (115.9 WB)		EVA = Next Generation 4.7L Magnum V8	DGQ = 5 Speed Automatic 5-45RFE
X = R/T			EMO = All 5.9L	DG0 = All Automatic Transmissions
H = SLT			EVO = All 4.7L	

AR = use ase required - = Non illustrated part

**Brush Guard
Figure 1-420**

ITEM	PART NUMBER	QTY	LINE	SERIES	BODY	ENGINE	TRANS	TRIM	DESCRIPTION
------	-------------	-----	------	--------	------	--------	-------	------	-------------

NOTES: Sales Codes
[P.A.R.] = Paint as Required



1									GUARD KIT, Brush
	82206465	1	1, 5		74				Chromed Steel
	82206468	1	1, 5		74				Natural Aluminum
	82206469	1	1, 5		74				Black [DX8]
	82206470	1	1, 5		74				Bright White [PW7]
	82206471	1	1, 5		74				Flame Red [PR5]
	82206473	1	1, 5		74				Patriot Blue [PB7]
	82206477	1			74				Amber Fire [XV3]
2	05018364AA	1	1, 5		74				FASCIA, Front, Primed, [P.A.R.]

DURANGO (DN)

SERIES	LINE	BODY	ENGINE	TRANSMISSION
M = Sport	1 = 2WD (115.9 WB)	74 = 4 Door	EML = Magnum 5.9L SMPI	DGT = 4 Speed Automatic 46RE
P = SLT Plus	5 = 4WD (115.9 WB)		EVA = Next Generation 4.7L Magnum V8	DGQ = 5 Speed Automatic 5-45RFE
X = R/T			EM0 = All 5.9L	DG0 = All Automatic Transmissions
H = SLT			EVO = All 4.7L	

AR = use ase required - = Non illustrated part