

### VIN PLATE DECODING INFORMATION

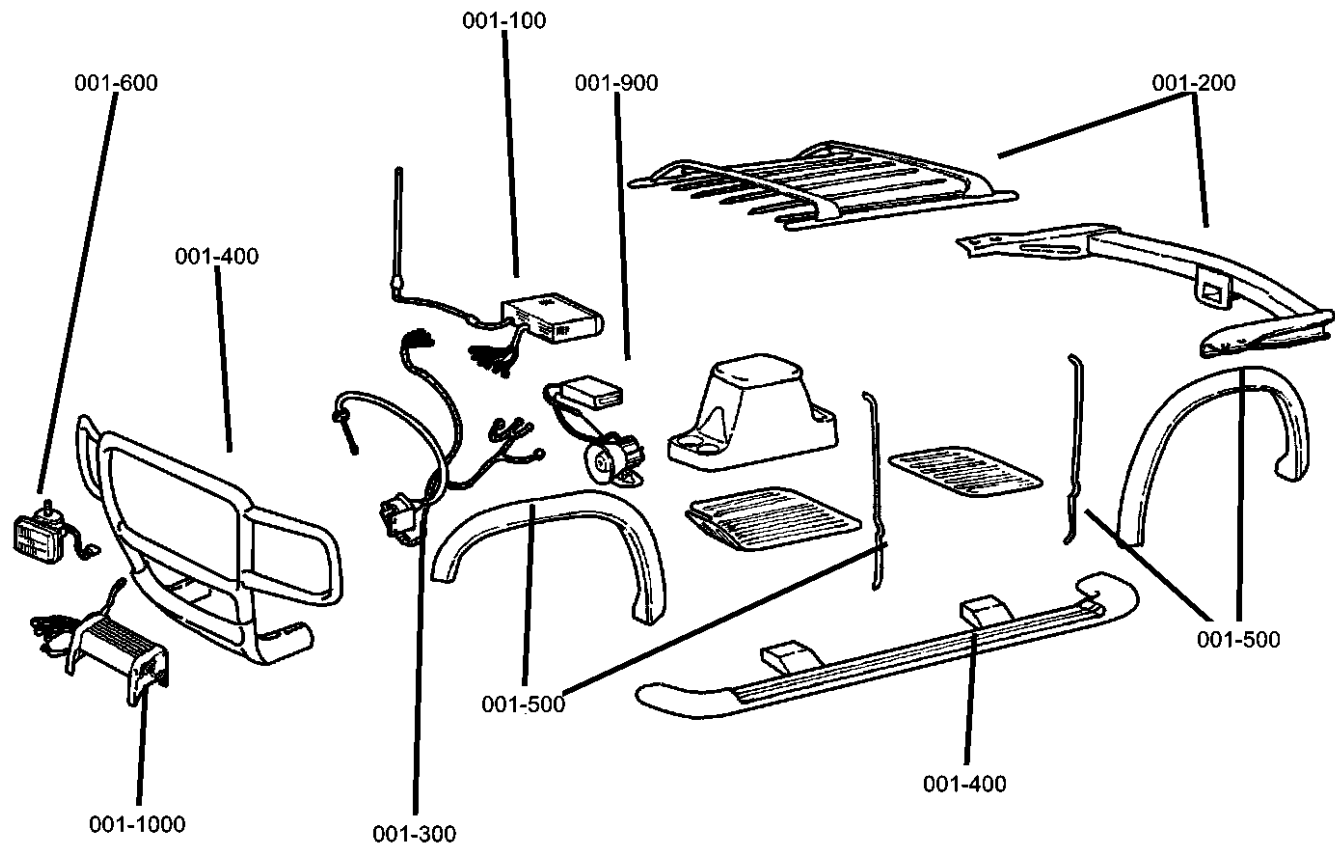
1	2	3	4	5	6	7	8	9	10	11	12 thru 17
Country	Make	Vehicle Type	Other	Line	Series	Body Style	Engine	Check Digit	Model Year	Assy. Plant	Sequence No.

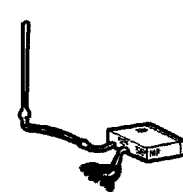
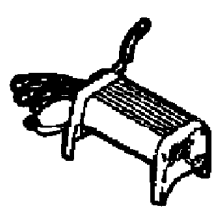
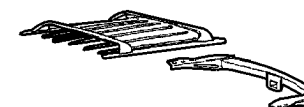

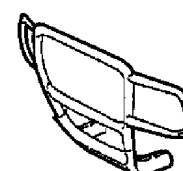
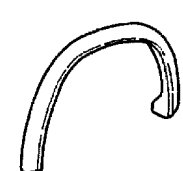

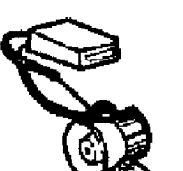
The following table interprets the VIN Plate position shown above.

Position	Interpretation	Codes = Description
1	Country of Origin	1 = Built in U.S by DaimlerChrysler
2	Assembler	B = Dodge
3	Vehicle Type	4 = Multipurpose Passenger Vehicle 7 = Truck
4	GVWR & Pass. Safety	D = 0-1.360 kg (0-3.000 lbs) E = 1.361-1.814 kg (3.001-4.000 lbs) H = 2.722-3.175 kg (6.001-7.000 lbs) J = 3.176-3.628 kg (7.001-8.000 lbs) K = 3.629-4.082 kg (8.001-9000 lbs) L = 4.083-4535 kg (9.001-10.000 lbs) M = 4.536-6.350 kg (10.001-14.000 lbs) F = 1.815-2.267 kg (4.001-5.000 lbs) G = 2.268-2721 kg (5.001-6.000 lbs)
5	Vehicle Line	R = Durango 4x2 S = Durango 4x4
6	Series	3 = Durango Sport (M) 4 = Durango SLT (H) 5 = Durango SLT Plus (P) 7 = Durango R/T (X)
7	Body Style	8 = Sport Utility 4 Door
8	Engine	N = 4.7L 8 Cyl. Gasoline (MPI) (EVA) Z = 5.9L 8 Cyl. Gasoline (MPI) LDC (EML)
9	Check Digit	0 = Check Digit 0 = Check Digit
10	Model Year	W = 1998 X = 1999 1 = 2001 2 = 2002
11	Assembly Plant	F = Newark Assembly
12 thru 17	Vehicle Build Sequence	Model Year Assembly Sequence

# Group - 1

## Component Parts for Mopar Accessories



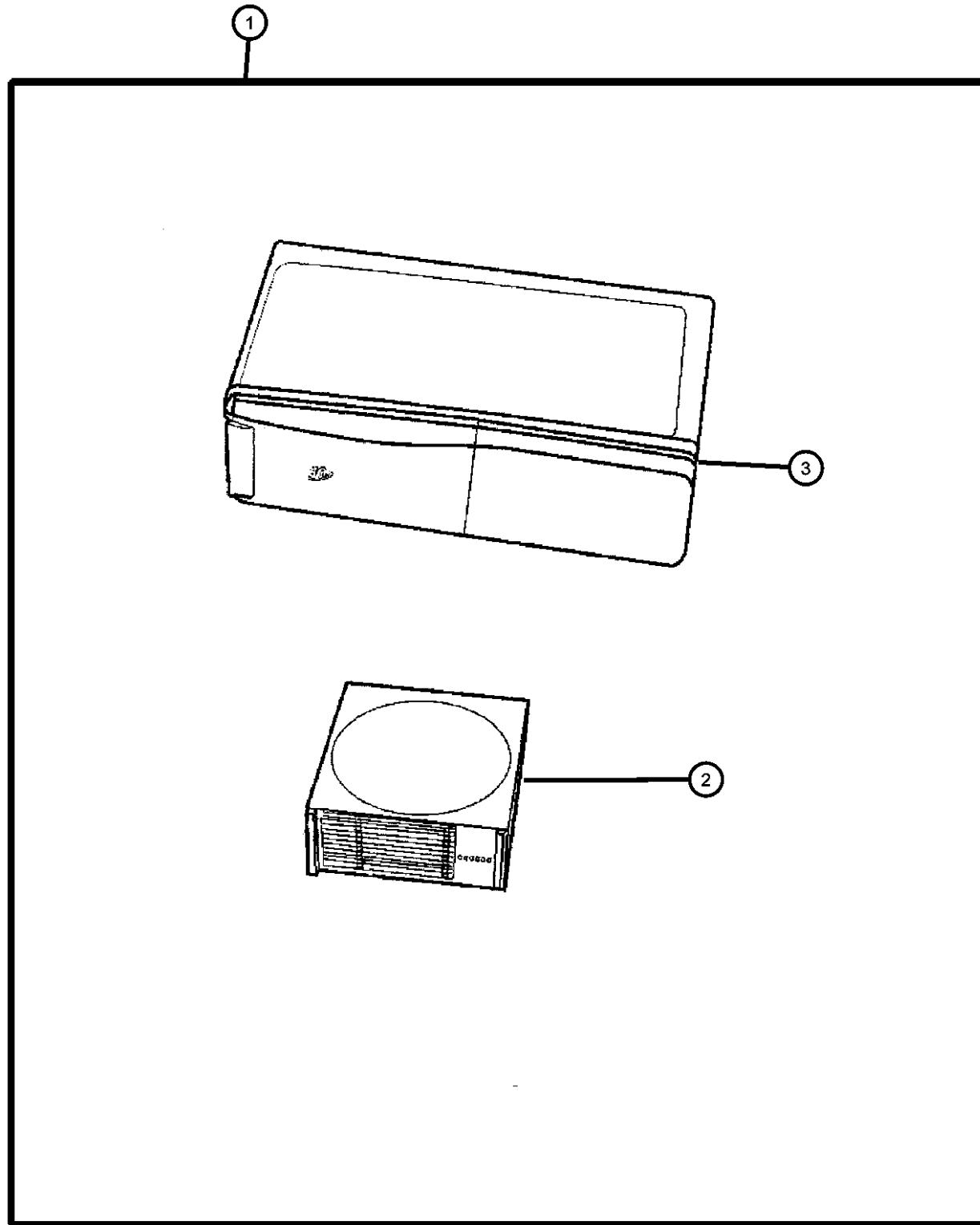
<b>001-100</b> Audio & Electronics 	<b>001-1000</b> 4 - Wheeling & Off Road 	<b>001-200</b> Carriers & Cargo Hauling 	<b>001-300</b> Driving Convenience 
<b>001-400</b> Exterior Appearance 	<b>001-500</b> Exterior Protection 	<b>001-600</b> Fog Lights & Electrical 	<b>001-900</b> Security 

---

## Group - 1 Component Parts for Mopar Accessories

Illustration Title	Group-Fig. No.
<b>Audio &amp; Electronics</b>	
Player Kit - CD Changer 6 Disc .....	Fig. 1 - 110
Player Kit - CD Changer .....	Fig. 1 - 112
Install Kit - CD Trunk .....	Fig. 1 - 132
Navigation Kit .....	Fig. 1 - 140
Media System .....	Fig. 1 - 150
<b>Carriers &amp; Cargo Hauling</b>	
Bike Carrier - Hitch Mount .....	Fig. 1 - 210
Bike Carrier - Roof .....	Fig. 1 - 212
Bike Carrier - Roof .....	Fig. 1 - 214
Carrier Kit - Canoe .....	Fig. 1 - 220
Carrier Kit - Ski .....	Fig. 1 - 230
Carrier Kit - Ski (Two Pair) .....	Fig. 1 - 232
Carrier Kit - Ski (Four Pair) .....	Fig. 1 - 234
Carrier Kit - Ski (Six Pair) .....	Fig. 1 - 236
Luggage Rack Package - Roof .....	Fig. 1 - 260
Luggage Carrier - Roof Mount .....	Fig. 1 - 264
Cooler Kit - Transmission Oil .....	Fig. 1 - 270
Wiring Kit -Trailer Tow .....	Fig. 1 - 292
<b>Driving Convenience</b>	
Speed Control Kit .....	Fig. 1 - 310
Mounting Kit - Cellular Phone .....	Fig. 1 - 330
<b>Exterior Appearance</b>	
Brush Guard .....	Fig. 1 - 420
Grille Guard .....	Fig. 1 - 422
<b>Exterior Protection</b>	
Shield Kit - Air Front .....	Fig. 1 - 520
<b>Fog Lights &amp; Electrical</b>	
Heater Package - Engine Block .....	Fig. 1 - 610
<b>Security</b>	
Alarm, EVS II Security Plus .....	Fig. 1 - 910
<b>4 - Wheeling &amp; Off Road</b>	
Skid Plate - Front and Transfer Case .....	Fig. 1 - 1020

Player Kit - CD Changer 6 Disc  
Figure 1-110



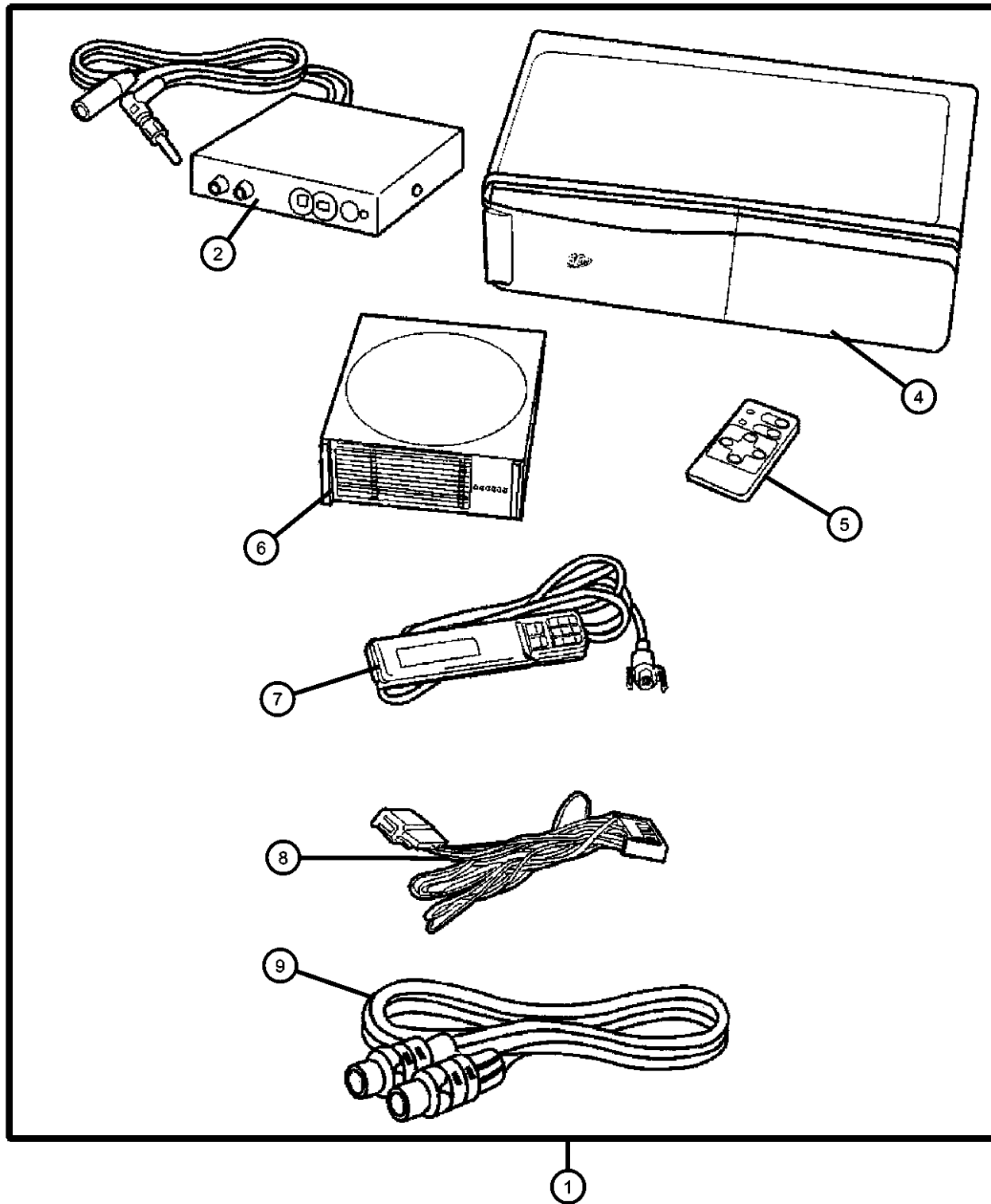
ITEM	PART NUMBER	QTY	LINE	SERIES	BODY	ENGINE	TRANS	TRIM	DESCRIPTION
1	82202700	1							PLAYER KIT, CD Changer - 6 Disc
	82207483	1							FM Modulated
									For Radios with CD Controls
2	04797433	1							MAGAZINE, CD Changer
3	04797433	1							CHANGER, CD, (NOT SERVICED)

DURANGO (DN)

SERIES	LINE	BODY	ENGINE	TRANSMISSION
M = Sport	1 = 2WD (115.9 WB)	74 = 4 Door	EML = Magnum 5.9L SMPI	DGT = 4 Speed Automatic 46RE
P = SLT Plus	5 = 4WD (115.9 WB)		EVA = Next Generation 4.7L Magnum V8	DGQ = 5 Speed Automatic 5-45RFE
X = R/T			EMO = All 5.9L	DG0 = All Automatic Transmissions
H = SLT			EVO = All 4.7L	

AR = use ase required - = Non illustrated part

Player Kit - CD Changer  
Figure 1-112



ITEM	PART NUMBER	QTY	LINE	SERIES	BODY	ENGINE	TRANS	TRIM	DESCRIPTION
NOTE: For radio without CD controls. Pentastar Logo, Includes RF Modulator, Power Cord, Din Cord, Hand Held and IR Remote Controller and CD Disc									
1	82204730	1	1, 5		74				PLAYER KIT, CD Changer - 12 Disc
2	05013804AA	1	1, 5		74				MODULATOR, FM
-3	05013800AA	1	1, 5		74				HARDWARE KIT, Mounting
4	05013806AA	1	1, 5		74				CHANGER, CD
5	05013802AA	1	1, 5		74				CONTROLLER, CD Wireless
6	05013805AA	1	1, 5		74				MAGAZINE, CD Changer
7	05013803AA	1	1, 5		74				CONTROLLER, CD Wired
8	04465117	1	1, 5		74				ADAPTOR, A/C
9	05013801AA	1	1, 5		74				DIN CORD, CD Player

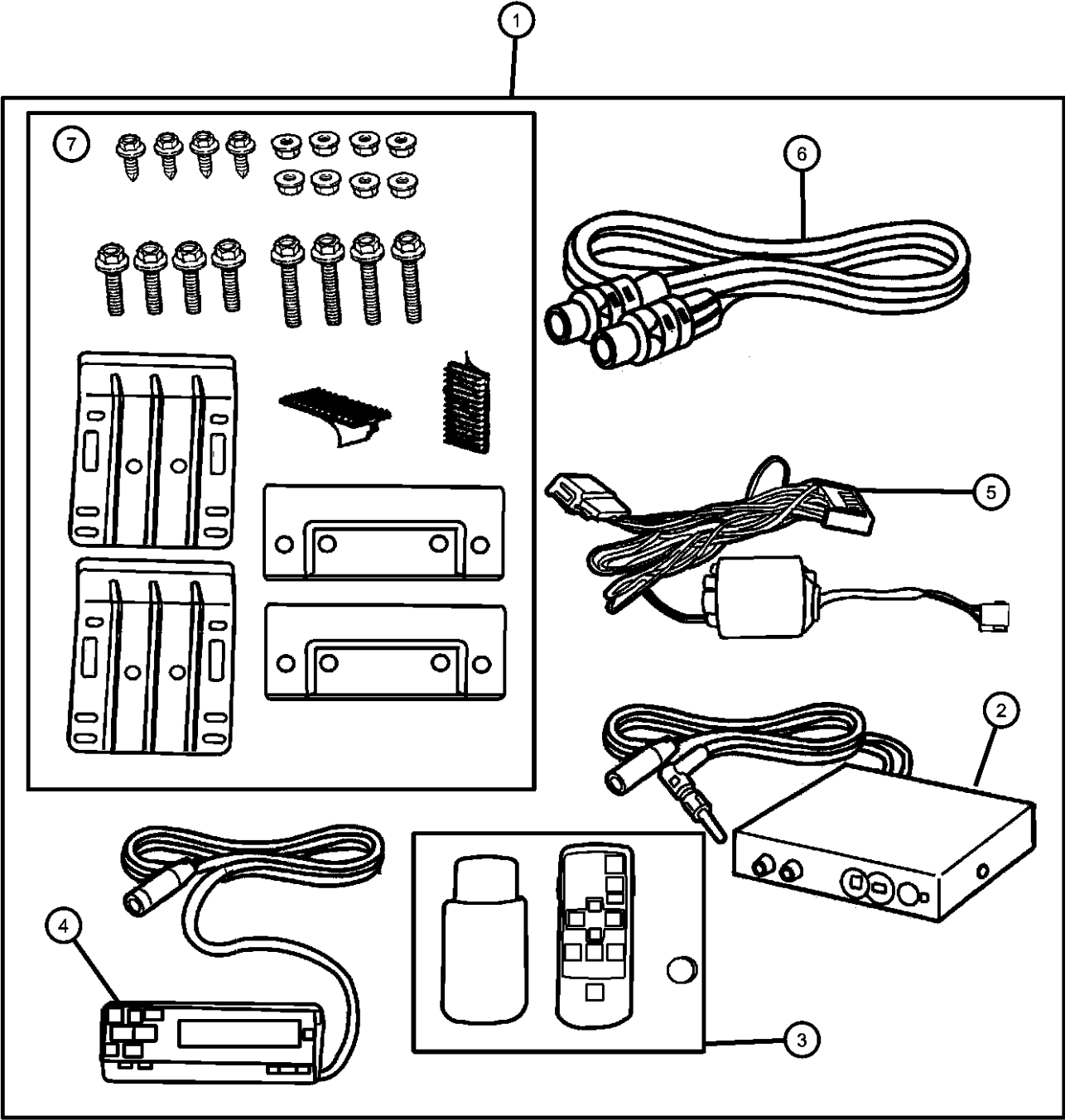
DURANGO (DN)

SERIES	LINE	BODY	ENGINE	TRANSMISSION
M = Sport	1 = 2WD (115.9 WB)	74 = 4 Door	EML = Magnum 5.9L SMPI	DGT = 4 Speed Automatic 46RE
P = SLT Plus	5 = 4WD (115.9 WB)		EVA = Next Generation 4.7L Magnum V8	DGQ = 5 Speed Automatic 5-45RFE
X = R/T			EMO = All 5.9L	DG0 = All Automatic Transmissions
H = SLT			EVO = All 4.7L	

AR = use ase required - = Non illustrated part

Install Kit - CD Trunk.

Figure 1-132



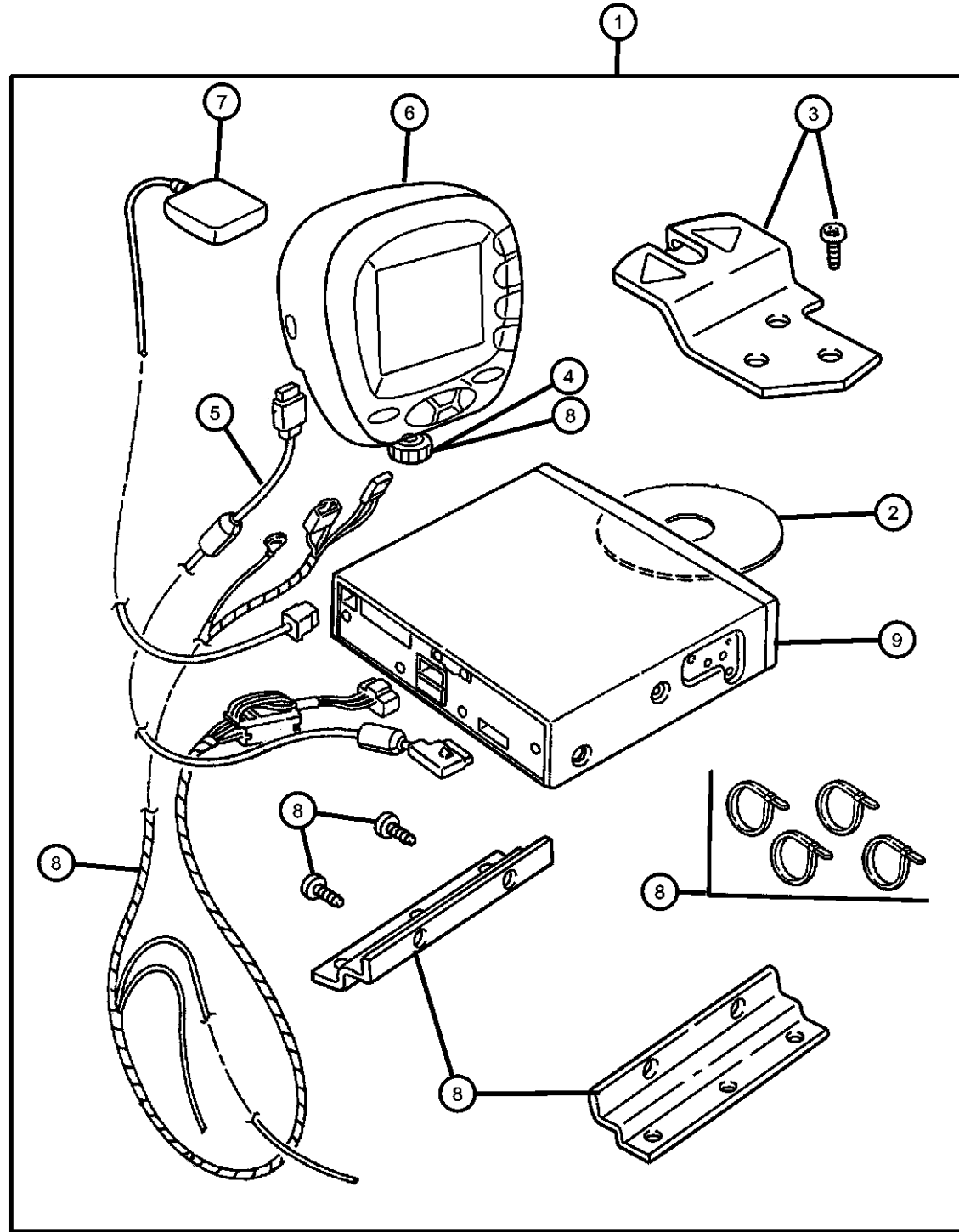
ITEM	PART NUMBER	QTY	LINE	SERIES	BODY	ENGINE	TRANS	TRIM	DESCRIPTION
1	82207481	1							INSTALL KIT, CD Changer - Trunk Without CD Controls
	82207482	1							With CD Controls
2	05012349AA	1	1, 5		74				MODULATOR, FM Changer
3	05017217AA	1	1, 5		74				CONTROLLER, CD Wireless
4	05017217AA	1							CONTROLLER, CD Wired, (NOT SERVICED)
5	04465117	1	1, 5		74				ADAPTOR, A/C
6	04465113	1	1, 5		74				CABLE, Din Without CD Controls
	05073243AA	1							With CD Controls
7	05016214AA	2							BRACKET

DURANGO (DN)

SERIES	LINE	BODY	ENGINE	TRANSMISSION
M = Sport	1 = 2WD (115.9 WB)	74 = 4 Door	EML = Magnum 5.9L SMPI	DGT = 4 Speed Automatic 46RE
P = SLT Plus	5 = 4WD (115.9 WB)		EVA = Next Generation 4.7L Magnum V8	DGQ = 5 Speed Automatic 5-45RFE
X = R/T			EMO = All 5.9L	DG0 = All Automatic Transmissions
H = SLT			EVO = All 4.7L	

AR = use ase required - = Non illustrated part

**Navigation Kit  
Figure 1-140**



ITEM	PART NUMBER	QTY	LINE	SERIES	BODY	ENGINE	TRANS	TRIM	DESCRIPTION
------	-------------	-----	------	--------	------	--------	-------	------	-------------

**NOTES:**

Install Kit Contains: navigation wiring assembly, mounting screw, controller brackets, navigational display bracket and thumb screw

1									NAVIGATION KIT, Vehicle
	82207528	1							Western
	82207529	1							Central
	82207530	1							Eastern
2									COMPACT DISC, Navigation
	05017415AB	1	1, 5		74				Western
	05017416AB	1	1, 5		74				Central
	05017417AB	1	1, 5		74				Eastern
3	05072410AA	1							BRACKET, Navigation Display
4	05017434AA	1							SCREW, Thumb
5	05017433AA	1							WIRING, Navigation Display
6	05017418AA	1							MODULE, Navigation Display
7	05017420AA	1							ANTENNA, Global Positioning
8	82207527	1							INSTALL KIT, Vehicle Navigation System
9	05017419AA	1							CONTROLLER, Vehicle Navigation

**DURANGO (DN)**

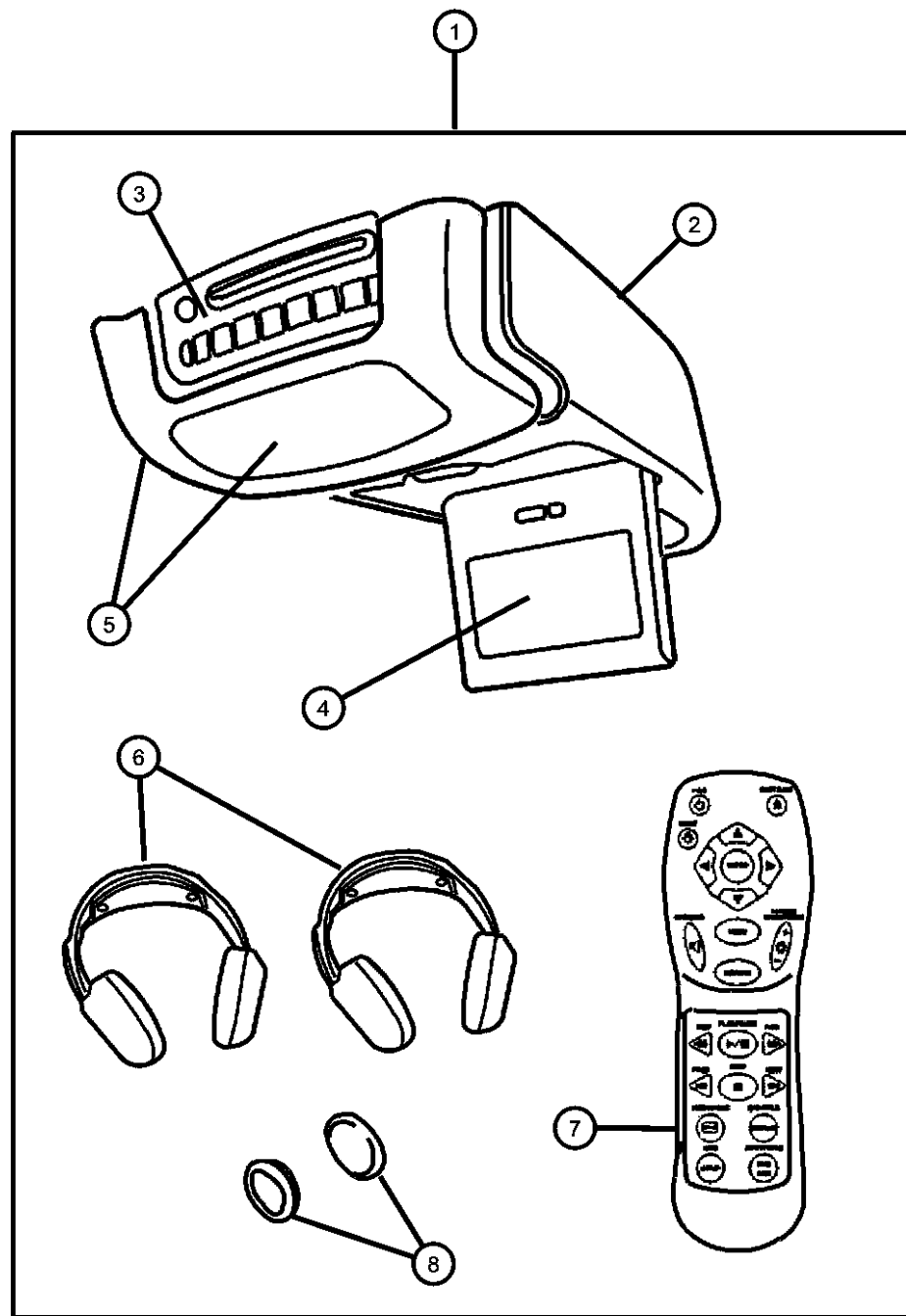
SERIES	LINE	BODY	ENGINE	TRANSMISSION
M = Sport	1 = 2WD (115.9 WB)	74 = 4 Door	EML = Magnum 5.9L SMPI	DGT = 4 Speed Automatic 46RE
P = SLT Plus	5 = 4WD (115.9 WB)		EVA = Next Generation 4.7L Magnum V8	DGQ = 5 Speed Automatic 5-45RFE
X = R/T			EMO = All 5.9L	DG0 = All Automatic Transmissions
H = SLT			EVO = All 4.7L	

AR = use ase required - = Non illustrated part

2002 DN

**Media System  
Figure 1-150**

ITEM	PART NUMBER	QTY	LINE	SERIES	BODY	ENGINE	TRANS	TRIM	DESCRIPTION
------	-------------	-----	------	--------	------	--------	-------	------	-------------



**NOTES:**

For service of the DVD Monitor and Screen contact the Repair Center through Dial function 11.

1									MEDIA SYSTEM, Monitor with DVD
	82206274	1							South American Vehicles
	82207242	1							HOUSING, Monitor
2	05080694AA	1							PLAYER, DVD - Single Play
3									South American Vehicles
	05080686AA	1							MONITOR, Media System
	05080689AA	1							BEZEL
4	05080710AA	1							HEADPHONES, Wireless Infrared
5	05080691AA	1							REMOTE, Wireless Infrared
6	05080690AA	1							CUSHION, Headphone
7	05080692AA	1							MODULATOR, FM
8	05066384AA	1							HARDWARE KIT, MultiMedia System
-9	05083162AA	1							
-10	05086142AA	1							

**DURANGO (DN)**

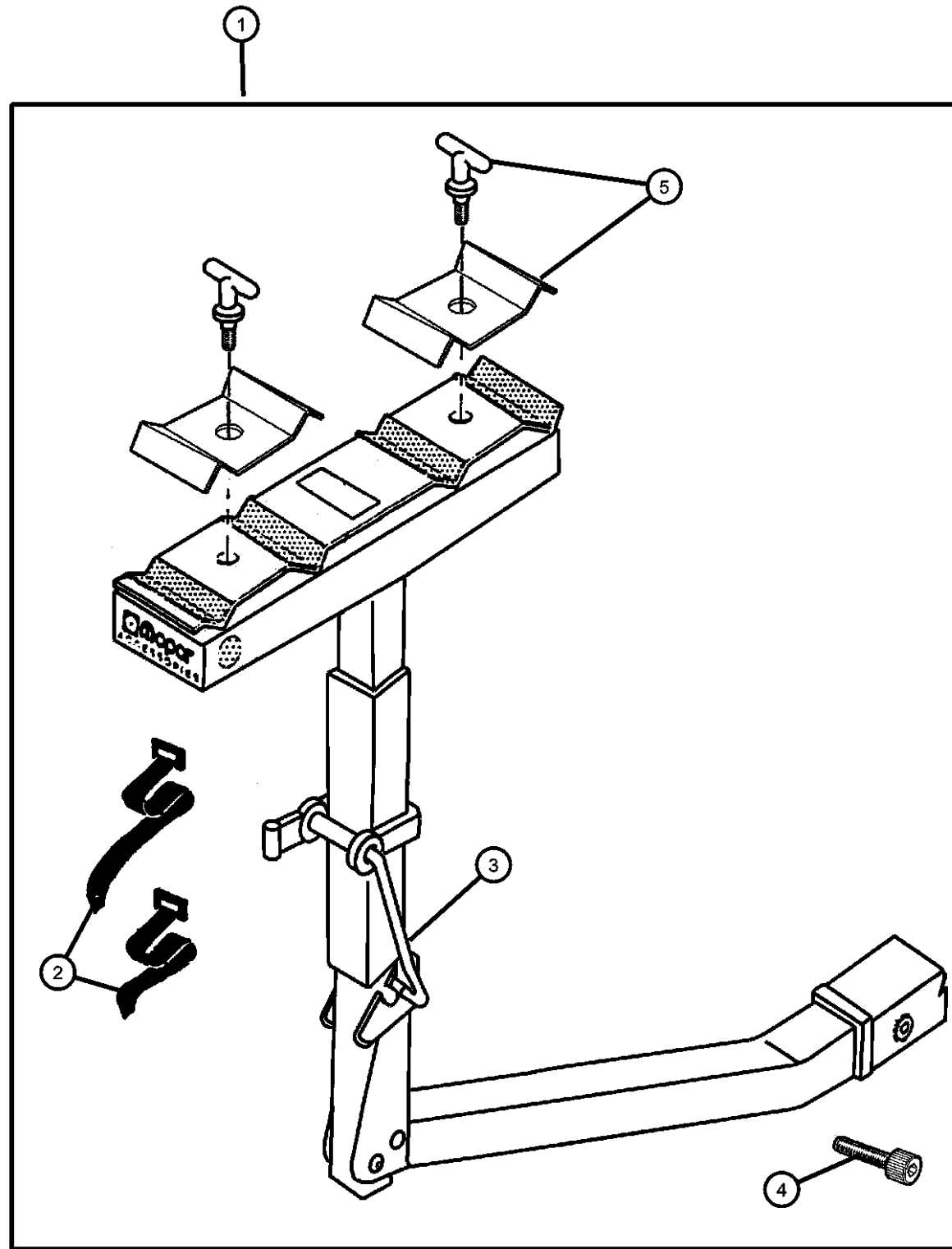
SERIES	LINE	BODY	ENGINE	TRANSMISSION
M = Sport	1 = 2WD (115.9 WB)	74 = 4 Door	EML = Magnum 5.9L SMPI	DGT = 4 Speed Automatic 46RE
P = SLT Plus	5 = 4WD (115.9 WB)		EVA = Next Generation 4.7L	DGQ = 5 Speed Automatic 5-45RFE
X = R/T			Magnum V8	DG0 = All Automatic Transmissions
H = SLT			EM0 = All 5.9L	
			EVO = All 4.7L	

AR = use ase required - = Non illustrated part

2002 DN



**Bike Carrier - Hitch Mount**  
**Figure 1-210**



ITEM	PART NUMBER	QTY	LINE	SERIES	BODY	ENGINE	TRANS	TRIM	DESCRIPTION
1									CARRIER KIT, Bike
	82204328	1	1, 5		74				Four Bike
	82204453	1	1, 5		74				Two Bike
2	04762880	1	1, 5		74				STRAP KIT, Velcro, Contains: 1-Long and 1-Short Strap
3	05016775AA	1							STRAP KIT, Bike Carrier Latch, Contains: 2-Rubber Straps
4	05016776AA	1	1, 5		74				BOLT KIT, Security, Contains: Bolt, Wrench, Washer and Nut
5	05018825AA	1	1, 5		74				HARDWARE KIT, Bike Carrier, Contains: T-Handle, Lock Strap, Top Clamp and Nylon Washer

**DURANGO (DN)**

SERIES	LINE	BODY	ENGINE	TRANSMISSION
M = Sport	1 = 2WD (115.9 WB)	74 = 4 Door	EML = Magnum 5.9L SMPI	DGT = 4 Speed Automatic 46RE
P = SLT Plus	5 = 4WD (115.9 WB)		EVA = Next Generation 4.7L Magnum V8	DGQ = 5 Speed Automatic 5-45RFE
X = R/T			EMO = All 5.9L	DG0 = All Automatic Transmissions
H = SLT			EVO = All 4.7L	

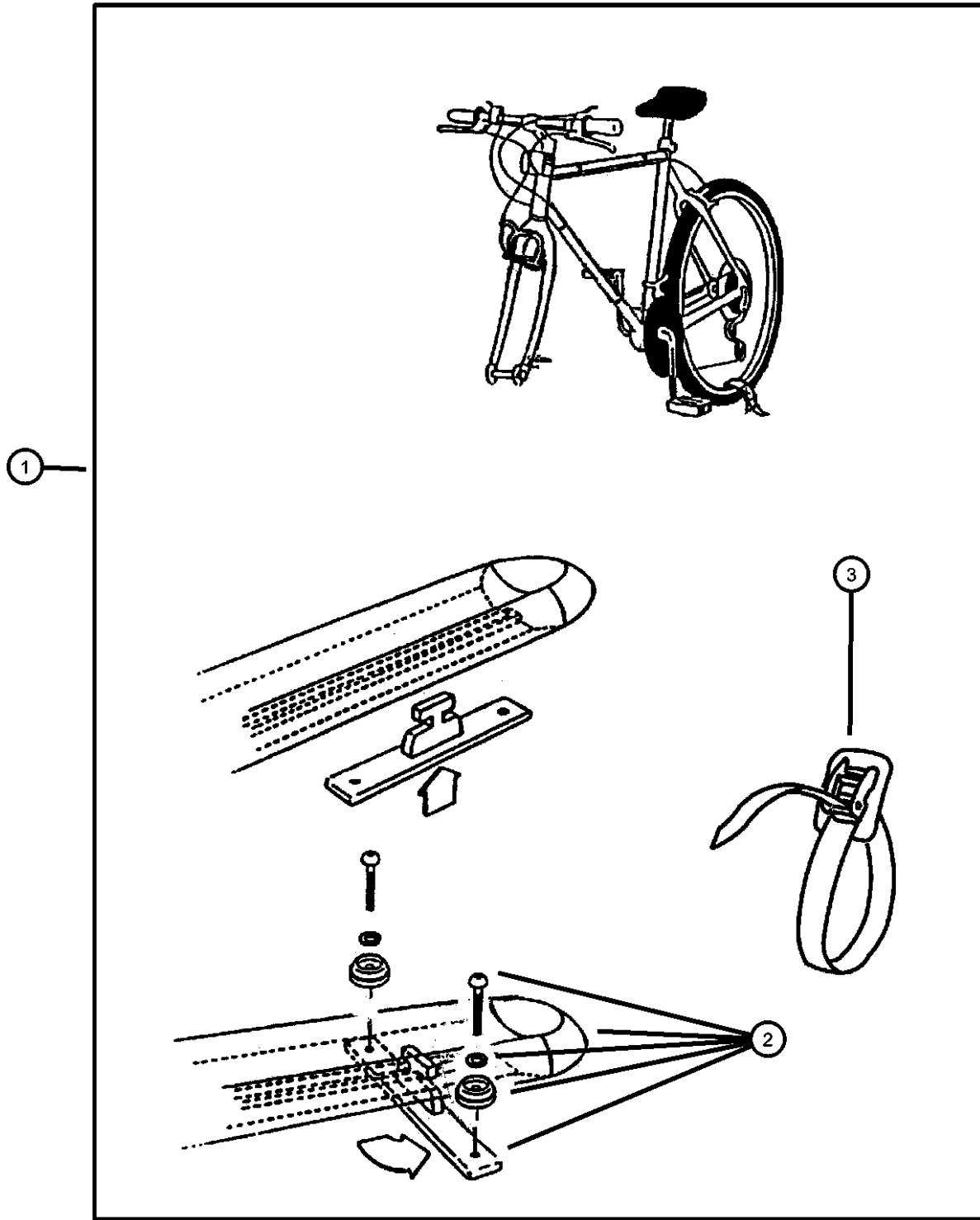
AR = use ase required - = Non illustrated part

**Bike Carrier - Roof**  
**Figure 1-212**

ITEM	PART NUMBER	QTY	LINE	SERIES	BODY	ENGINE	TRANS	TRIM	DESCRIPTION
------	-------------	-----	------	--------	------	--------	-------	------	-------------

NOTE: Hardware Kit also contained in Carrier Kit.

1	82203471	1	1, 5		74				CARRIER KIT, Bike, Fork - Mount
2	05016512AA	1	1, 5		74				HARDWARE KIT, Accessory, Contains: 2 T-Slots, 4 Dome Washers, 4 M6x1x16mm screws and 2 M6 Lockwashers
3	05016513AA	1	1, 5		74				STRAP, Cargo Tie Down, Contains: 2 Straps
-4	05066632AA	1	1, 5		74				TOOL, Screw Driver



**DURANGO (DN)**

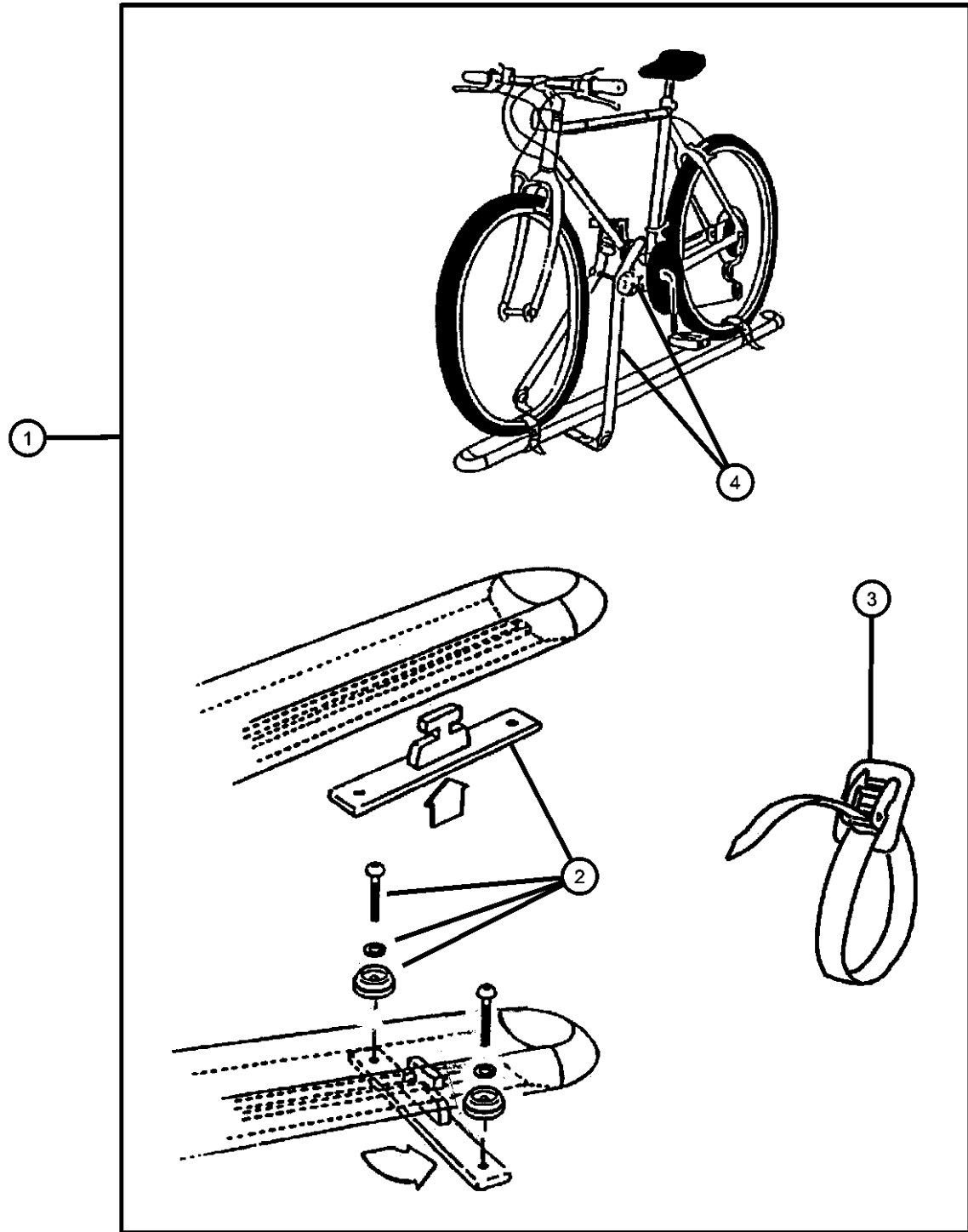
SERIES	LINE	BODY	ENGINE	TRANSMISSION
M = Sport	1 = 2WD (115.9 WB)	74 = 4 Door	EML = Magnum 5.9L SMPI	DGT = 4 Speed Automatic 46RE
P = SLT Plus	5 = 4WD (115.9 WB)		EVA = Next Generation 4.7L Magnum V8	DGQ = 5 Speed Automatic 5-45RFE
X = R/T			EMO = All 5.9L	DG0 = All Automatic Transmissions
H = SLT			EVO = All 4.7L	

AR = use ase required - = Non illustrated part

2002 DN

**Bike Carrier - Roof**  
**Figure 1-214**

ITEM	PART NUMBER	QTY	LINE	SERIES	BODY	ENGINE	TRANS	TRIM	DESCRIPTION
1	82203471	1	1, 5		74				CARRIER KIT, Bike, Upright - Mount
2	05016512AA	1	1, 5		74				HARDWARE KIT, Accessory
3	05016513AA	1	1, 5		74				STRAP, Cargo Tie Down
4	05018194AA	1	1, 5		74				HARDWARE KIT, Bike Carrier
-5	05066632AA	1	1, 5		74				TOOL, Screw Driver



**DURANGO (DN)**

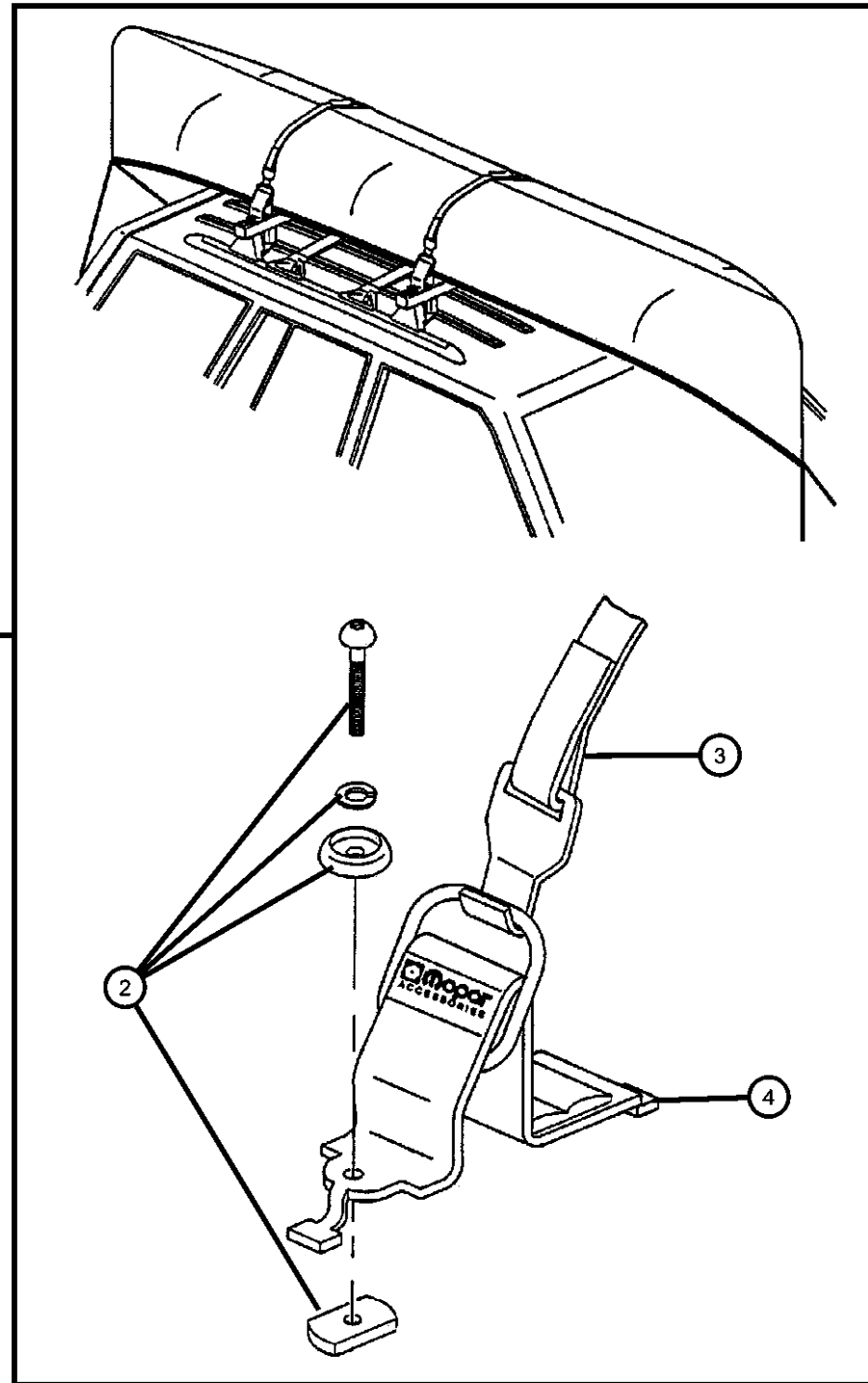
SERIES	LINE	BODY	ENGINE	TRANSMISSION
M = Sport	1 = 2WD (115.9 WB)	74 = 4 Door	EML = Magnum 5.9L SMPI	DGT = 4 Speed Automatic 46RE
P = SLT Plus	5 = 4WD (115.9 WB)		EVA = Next Generation 4.7L	DGQ = 5 Speed Automatic 5-45RFE
X = R/T			Magnum V8	DG0 = All Automatic Transmissions
H = SLT			EM0 = All 5.9L	
			EVO = All 4.7L	

AR = use ase required - = Non illustrated part

2002 DN

Carrier Kit - Canoe  
Figure 1-220

ITEM	PART NUMBER	QTY	LINE	SERIES	BODY	ENGINE	TRANS	TRIM	DESCRIPTION
------	-------------	-----	------	--------	------	--------	-------	------	-------------



NOTE:  
Use only with Sport Utility Bar  
Hardware Kit also contained in Carrier Kit

1	82204700	1							CARRIER KIT, Canoe
2	05016389AA	1	1, 5		74				HARDWARE KIT, Accessory
3	05016511AA	1	1, 5		74				STRAP, Cargo Tie Down
4	05016510AA	1							BRACKET, Cargo Tie Down

**DURANGO (DN)**

SERIES	LINE	BODY	ENGINE	TRANSMISSION
M = Sport	1 = 2WD (115.9 WB)	74 = 4 Door	EML = Magnum 5.9L SMPI	DGT = 4 Speed Automatic 46RE
P = SLT Plus	5 = 4WD (115.9 WB)		EVA = Next Generation 4.7L Magnum V8	DGQ = 5 Speed Automatic 5-45RFE
X = R/T			EMO = All 5.9L	DG0 = All Automatic Transmissions
H = SLT			EVO = All 4.7L	

AR = use ase required - = Non illustrated part

2002 DN

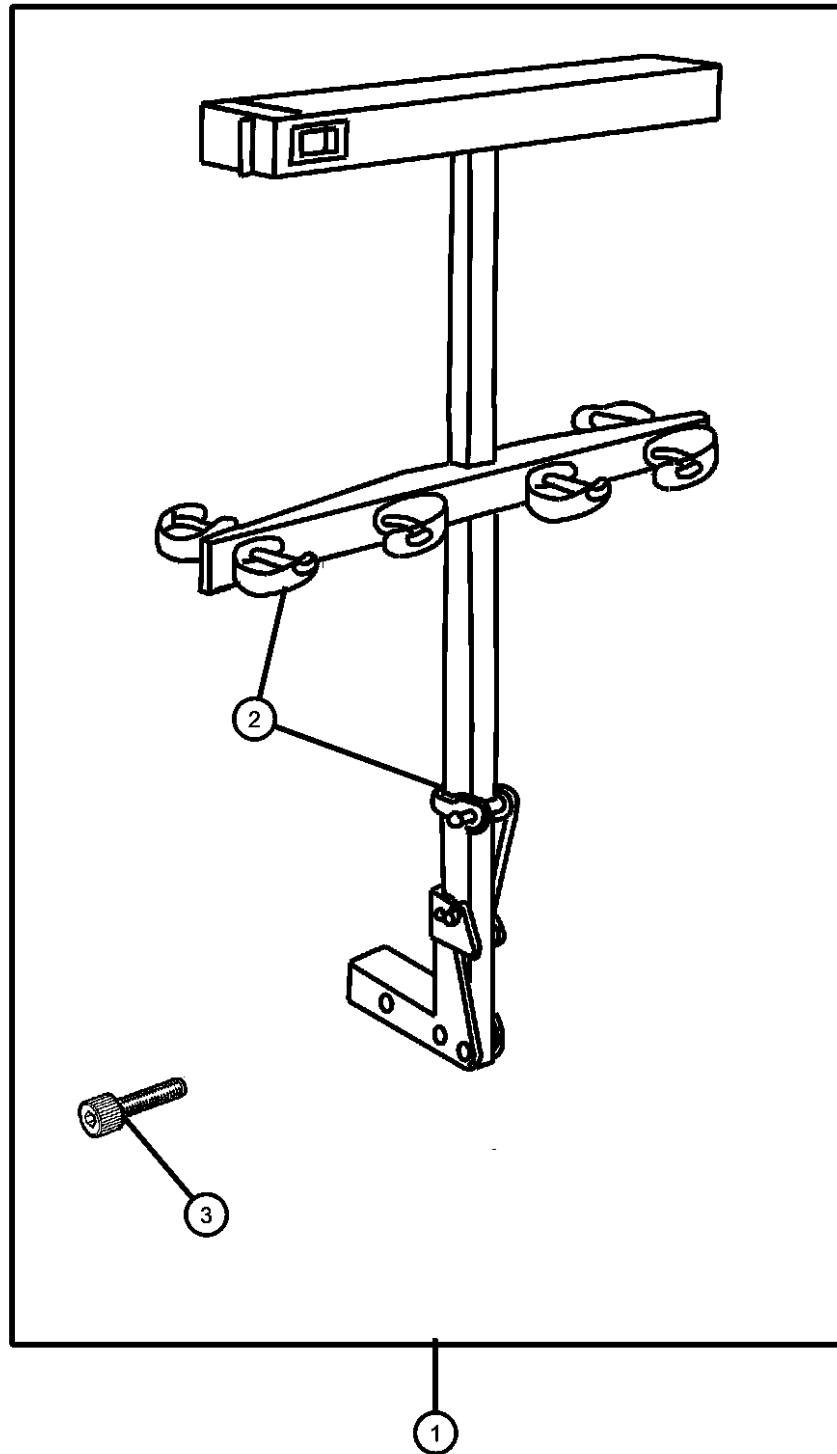
Carrier Kit - Ski  
Figure 1-230

ITEM	PART NUMBER	QTY	LINE	SERIES	BODY	ENGINE	TRANS	TRIM	DESCRIPTION
------	-------------	-----	------	--------	------	--------	-------	------	-------------

NOTE: For use with a 1.25' Hitch Receiver.

1	82204454	1							CARRIER KIT, Ski - 4 Pair
2	05016775AA	1							STRAP KIT, Bike Carrier Latch
3	05016774AA	1							BOLT KIT, Security

CARRIER KIT, Ski - 4 Pair  
STRAP KIT, Bike Carrier Latch  
BOLT KIT, Security



**DURANGO (DN)**

SERIES	LINE	BODY	ENGINE	TRANSMISSION
M = Sport	1 = 2WD (115.9 WB)	74 = 4 Door	EML = Magnum 5.9L SMPI	DGT = 4 Speed Automatic 46RE
P = SLT Plus	5 = 4WD (115.9 WB)		EVA = Next Generation 4.7L Magnum V8	DGQ = 5 Speed Automatic 5-45RFE
X = R/T			EMO = All 5.9L	DG0 = All Automatic Transmissions
H = SLT			EVO = All 4.7L	

AR = use ase required - = Non illustrated part

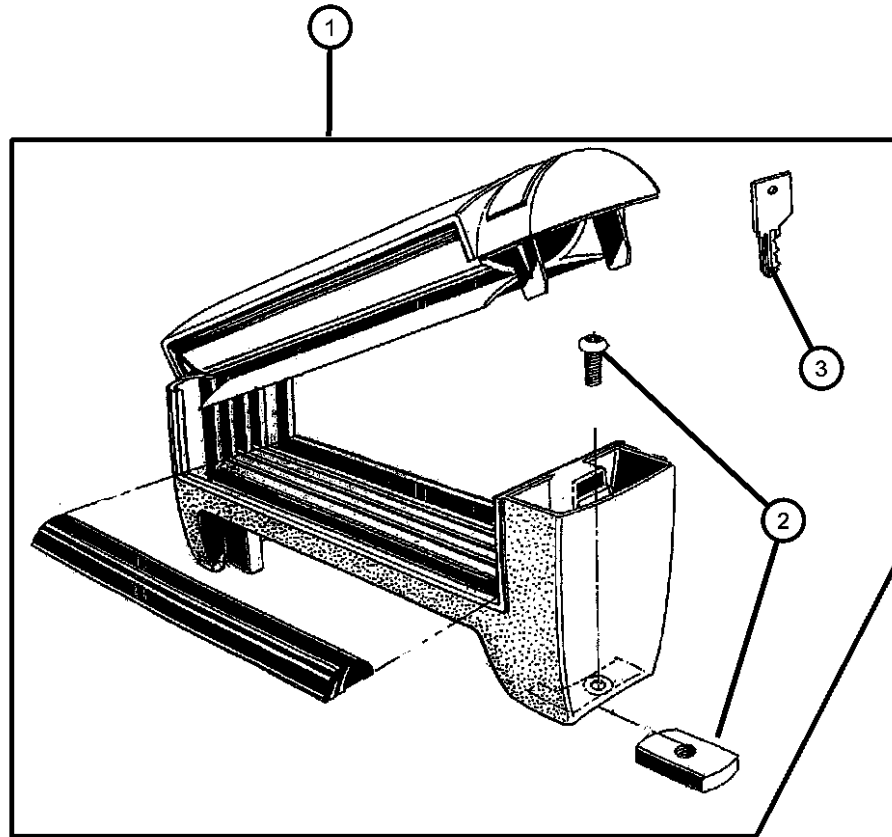
2002 DN

**Carrier Kit - Ski (Two Pair)**  
**Figure 1-232**

ITEM	PART NUMBER	QTY	LINE	SERIES	BODY	ENGINE	TRANS	TRIM	DESCRIPTION
------	-------------	-----	------	--------	------	--------	-------	------	-------------

NOTE: New keys are Vendor Ship Direct.

1	82203474	1							CARRIER KIT, Ski - 2 Pair
2	05016389AA	1	1, 5		74				HARDWARE KIT, Accessory
3	05016389AA	1							KEY, Master, (NOT SERVICED)
-4	05016513AA	1	1, 5		74				STRAP, Cargo Tie Down



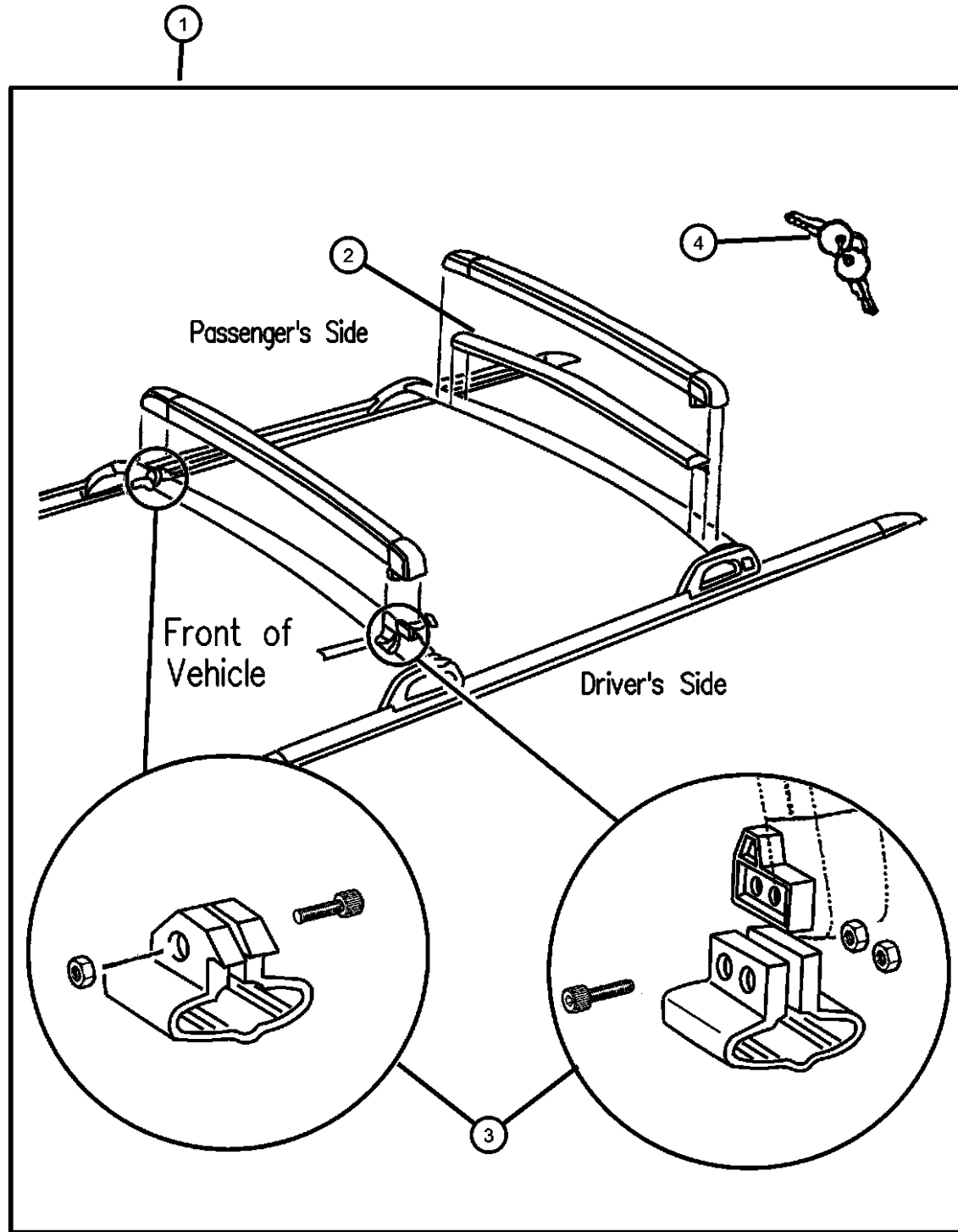
**DURANGO (DN)**

SERIES	LINE	BODY	ENGINE	TRANSMISSION
M = Sport	1 = 2WD (115.9 WB)	74 = 4 Door	EML = Magnum 5.9L SMPI	DGT = 4 Speed Automatic 46RE
P = SLT Plus	5 = 4WD (115.9 WB)		EVA = Next Generation 4.7L Magnum V8	DGQ = 5 Speed Automatic 5-45RFE
X = R/T			EMO = All 5.9L	DG0 = All Automatic Transmissions
H = SLT			EVO = All 4.7L	

AR = use ase required - = Non illustrated part

2002 DN

Carrier Kit - Ski (Four Pair)  
Figure 1-234



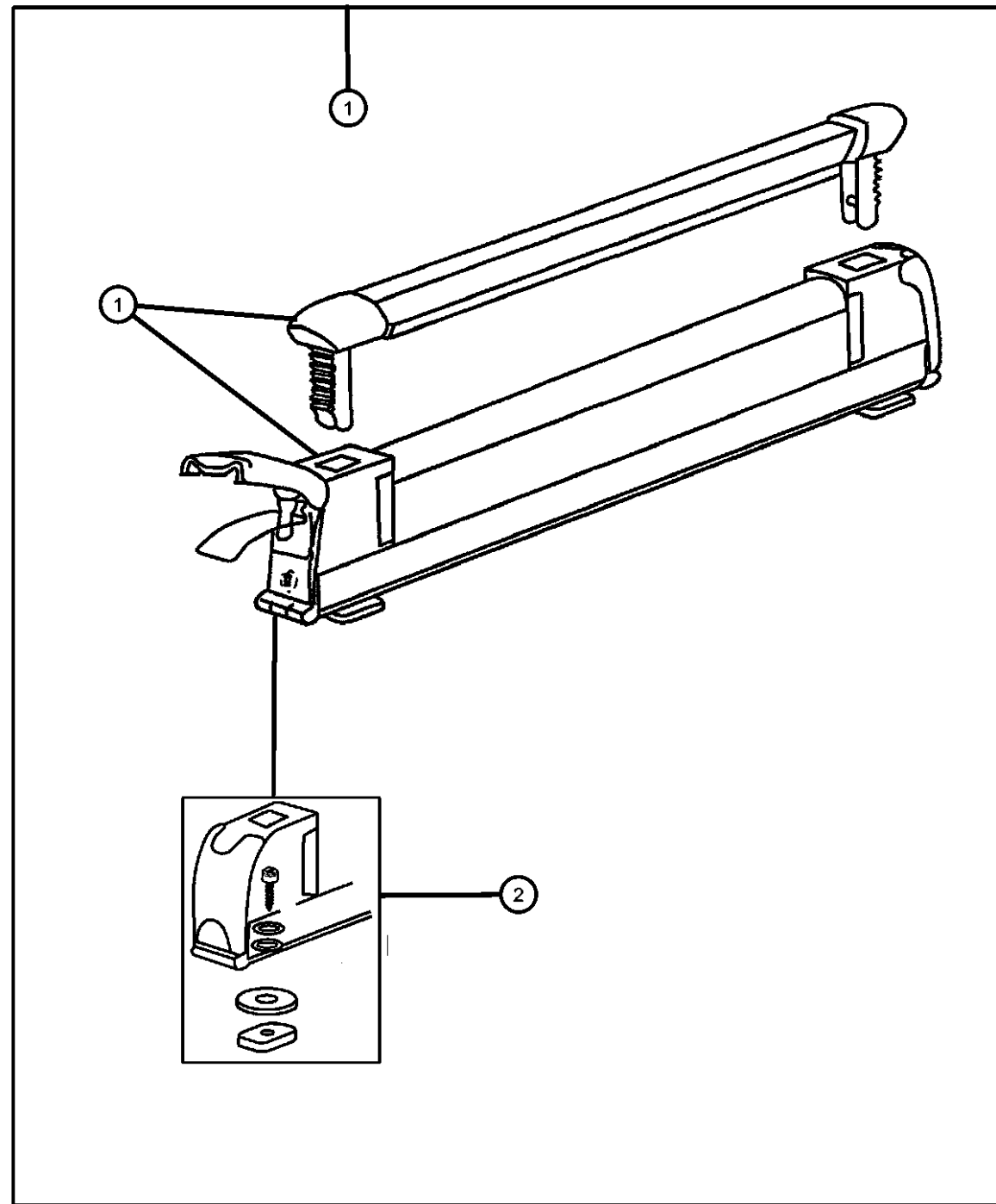
ITEM	PART NUMBER	QTY	LINE	SERIES	BODY	ENGINE	TRANS	TRIM	DESCRIPTION
1	82204101	1	1, 5		74				CARRIER KIT, Ski - 4 Pair
2	04797617	1	1, 5		74				PAD, Crossbar
3	04797618	1	1, 5		74				HARDWARE KIT, Accessory, Contains: 6 Socket Head Screws, 6 Hex Nuts, 4 Pivot and Latch Adapters , 1 Allen Wrench
4	04796058	1	1, 5		74				LOCK KIT, Carrier, 2 Lock Assemblies with Keys and Clips

**DURANGO (DN)**

SERIES	LINE	BODY	ENGINE	TRANSMISSION
M = Sport	1 = 2WD (115.9 WB)	74 = 4 Door	EML = Magnum 5.9L SMPI	DGT = 4 Speed Automatic 46RE
P = SLT Plus	5 = 4WD (115.9 WB)		EVA = Next Generation 4.7L Magnum V8	DGQ = 5 Speed Automatic 5-45RFE
X = R/T			EMO = All 5.9L	DG0 = All Automatic Transmissions
H = SLT			EVO = All 4.7L	

AR = use ase required - = Non illustrated part

Carrier Kit - Ski (Six Pair)  
Figure 1-236



ITEM	PART NUMBER	QTY	LINE	SERIES	BODY	ENGINE	TRANS	TRIM	DESCRIPTION
1	82207308	1							CARRIER KIT, Ski
2	05086158AA	1							HARDWARE KIT, Accessory, Contains: 4 - 25MM Screws, 4 - 20M Screws, 4 - 16MM Screws, 4 - Lock Washers, 4 - Flat Washers, 4 - - T Plates, 4 - Rubber Washers

**DURANGO (DN)**

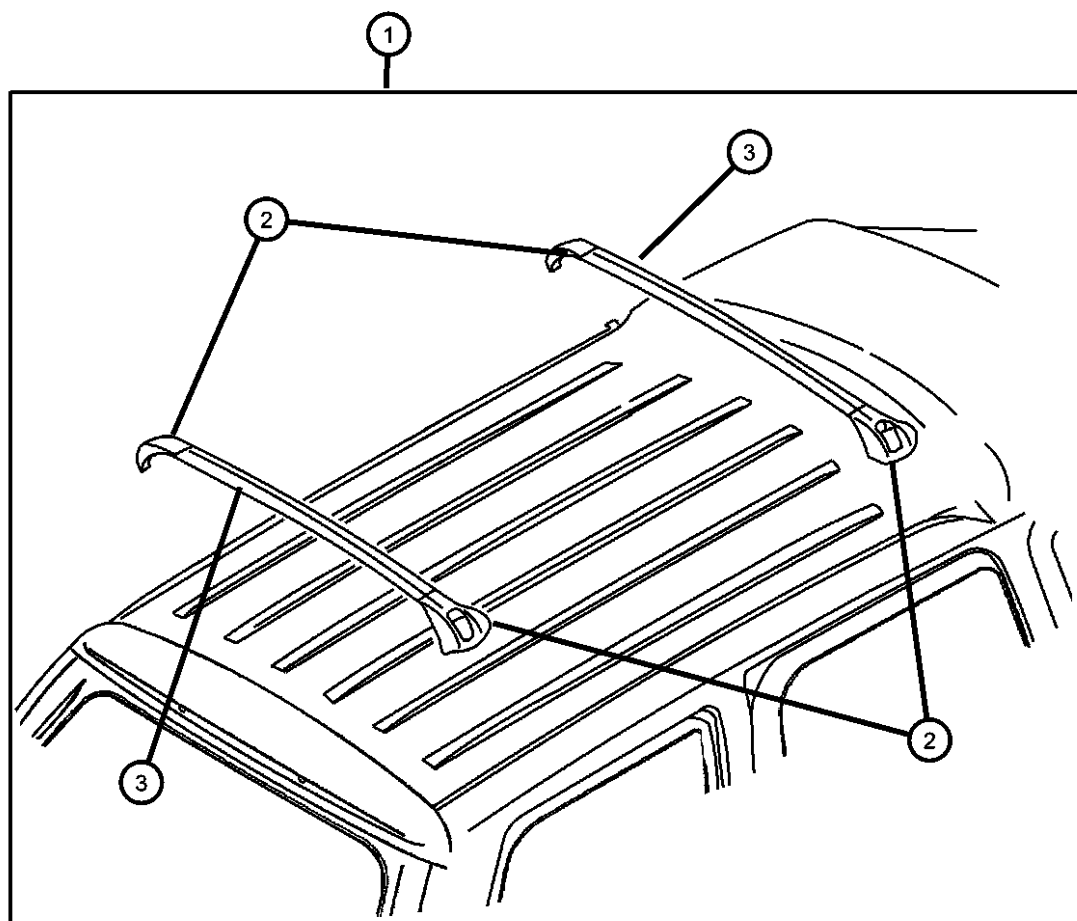
SERIES	LINE	BODY	ENGINE	TRANSMISSION
M = Sport	1 = 2WD (115.9 WB)	74 = 4 Door	EML = Magnum 5.9L SMPI	DGT = 4 Speed Automatic 46RE
P = SLT Plus	5 = 4WD (115.9 WB)		EVA = Next Generation 4.7L Magnum V8	DGQ = 5 Speed Automatic 5-45RFE
X = R/T			EMO = All 5.9L	DG0 = All Automatic Transmissions
H = SLT			EVO = All 4.7L	

AR = use ase required - = Non illustrated part



Luggage Rack Package - Roof  
Figure 1-260

ITEM	PART NUMBER	QTY	LINE	SERIES	BODY	ENGINE	TRANS	TRIM	DESCRIPTION
1	82205928	1	1, 5		74				LUGGAGE RACK PACKAGE, Roof
2									STANCHION, Luggage Rack Cross Bar
	05003982AA	1	1, 5		74				Right
	05003983AA	1	1, 5		74				Left
3	05003984AA	1	1, 5		74				CROSS RAIL, Roof Rack, Black



**DURANGO (DN)**

SERIES	LINE	BODY	ENGINE	TRANSMISSION
M = Sport	1 = 2WD (115.9 WB)	74 = 4 Door	EML = Magnum 5.9L SMPI	DGT = 4 Speed Automatic 46RE
P = SLT Plus	5 = 4WD (115.9 WB)		EVA = Next Generation 4.7L Magnum V8	DGQ = 5 Speed Automatic 5-45RFE
X = R/T			EMO = All 5.9L	DG0 = All Automatic Transmissions
H = SLT			EVO = All 4.7L	

AR = use ase required - = Non illustrated part

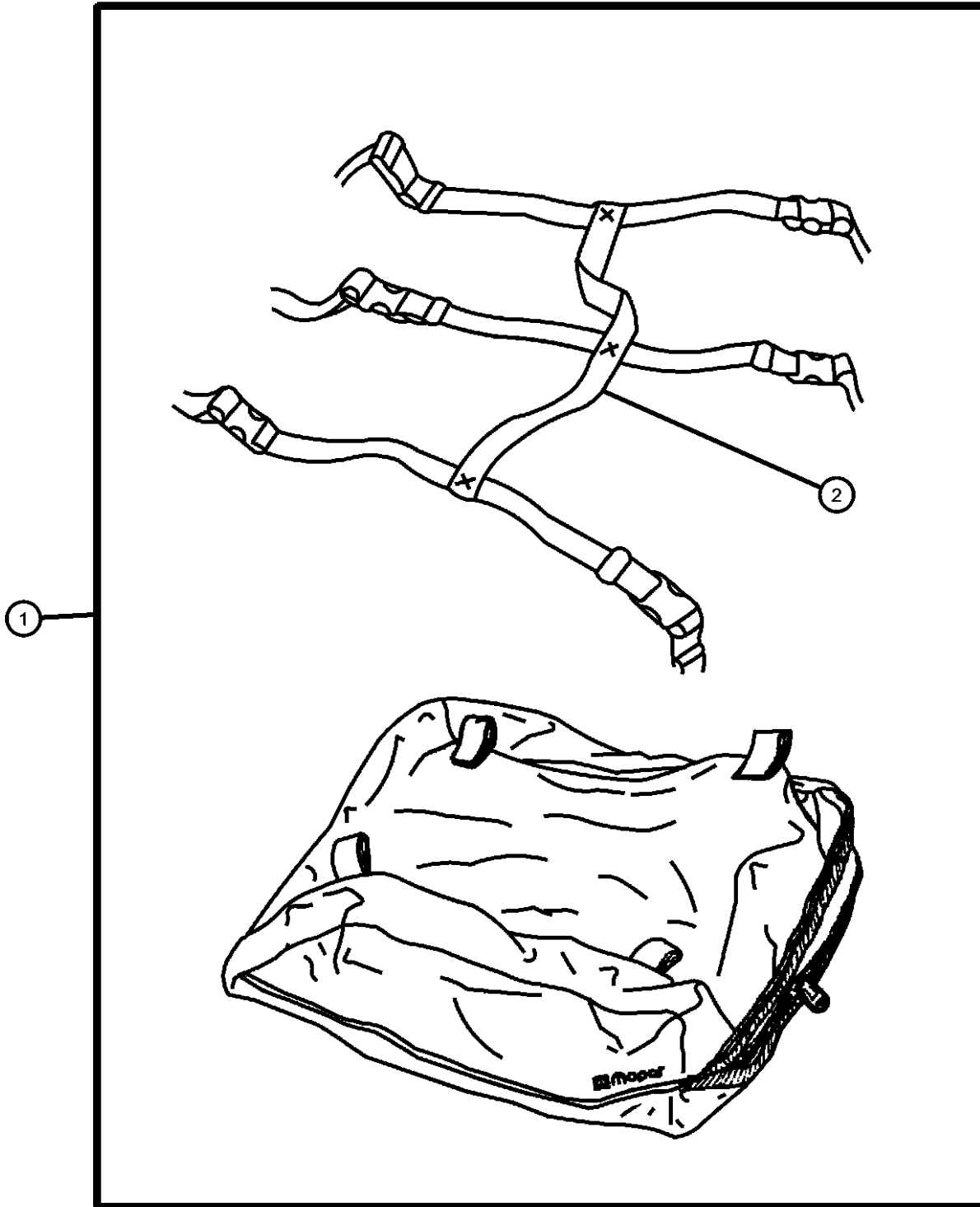
2002 DN

Luggage Carrier - Roof Mount  
Figure 1-264

ITEM	PART NUMBER	QTY	LINE	SERIES	BODY	ENGINE	TRANS	TRIM	DESCRIPTION
------	-------------	-----	------	--------	------	--------	-------	------	-------------

NOTE: Requires Roof Rack.

1	82207198	1			74				CARRIER KIT, Luggage
2	05066332AA	1			74				STRAP KIT, Luggage Carrier



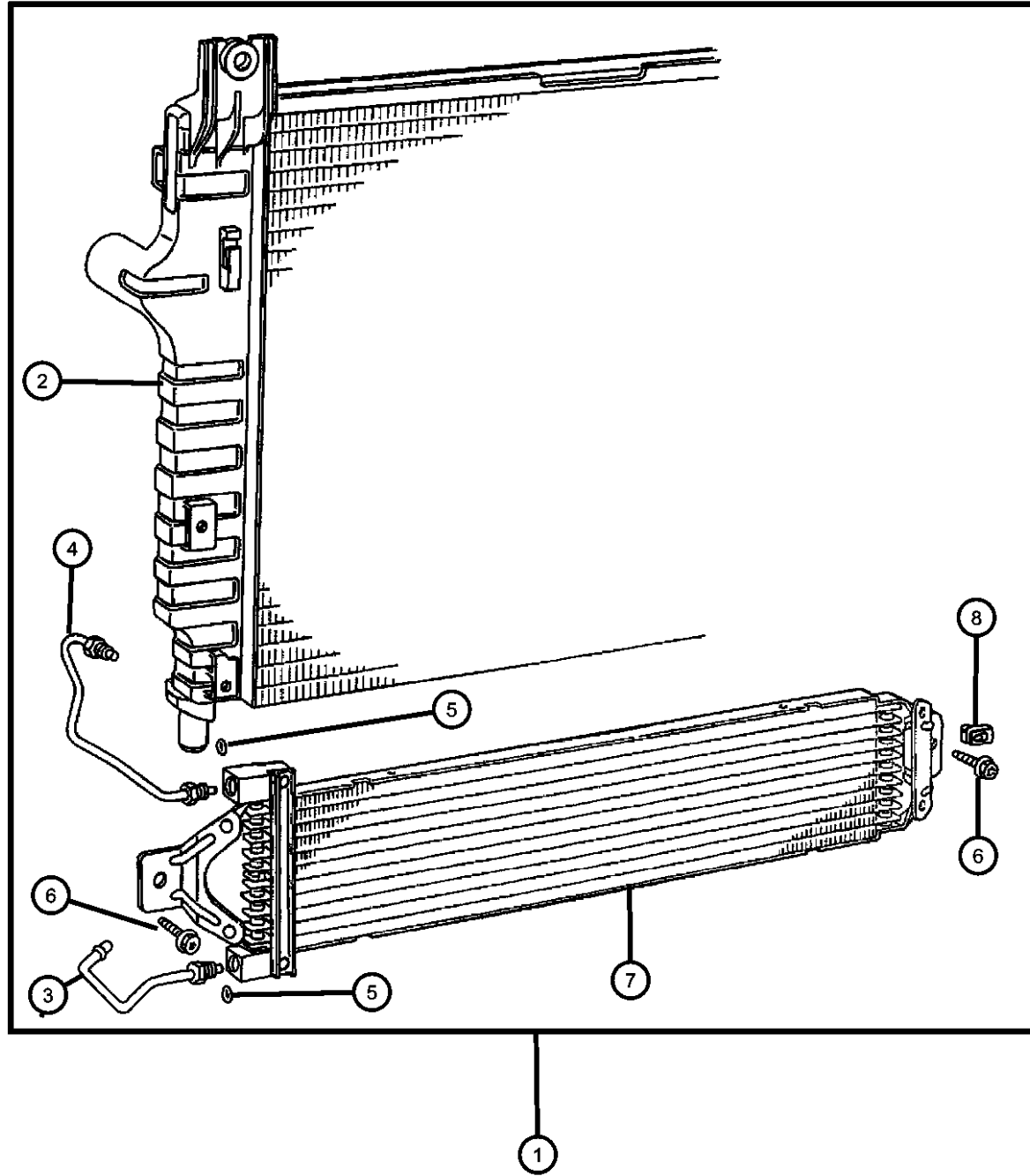
**DURANGO (DN)**

SERIES	LINE	BODY	ENGINE	TRANSMISSION
M = Sport	1 = 2WD (115.9 WB)	74 = 4 Door	EML = Magnum 5.9L SMPI	DGT = 4 Speed Automatic 46RE
P = SLT Plus	5 = 4WD (115.9 WB)		EVA = Next Generation 4.7L Magnum V8	DGQ = 5 Speed Automatic 5-45RFE
X = R/T			EMO = All 5.9L	DG0 = All Automatic Transmissions
H = SLT			EVO = All 4.7L	

AR = use ase required - = Non illustrated part

2002 DN

**Cooler Kit - Transmission Oil**  
**Figure 1-270**



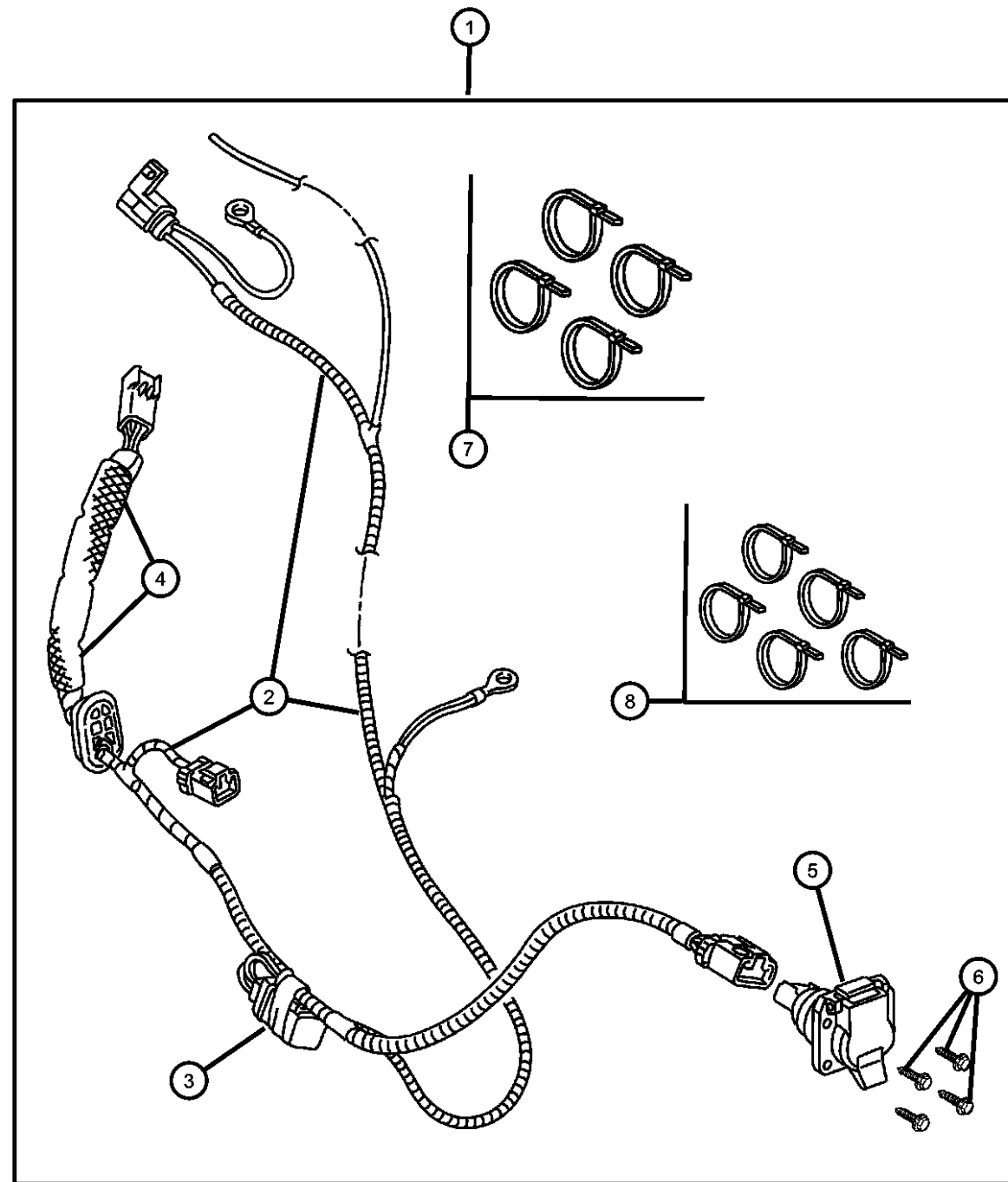
ITEM	PART NUMBER	QTY	LINE	SERIES	BODY	ENGINE	TRANS	TRIM	DESCRIPTION
1	82205678	1	1, 5		74				COOLER PACKAGE, Transmission Oil
2	52028818AD 05066386AA	1	1, 5		74				RADIATOR, Engine Cooling Mopar Coolant 5 Year/100,000 Mile Formula 1 Gallon
3	05015415AA	1	1, 5		74				TUBE, Oil Cooler
4	05015416AA	1	1, 5		74				TUBE, Oil Cooler
5	05016144AA	1	1, 5		74				SEAL, O-Ring
6	04734274	1	1, 5		74				SCREW, Decking Bracket
7	52028779AB	1	1, 5		74				COOLER, Auxiliary Oil
8	52028779AB	1							U-NUT, M6 x 1.00, M6x1.00, (NOT SERVICED)

**DURANGO (DN)**

SERIES	LINE	BODY	ENGINE	TRANSMISSION
M = Sport	1 = 2WD (115.9 WB)	74 = 4 Door	EML = Magnum 5.9L SMPI	DGT = 4 Speed Automatic 46RE
P = SLT Plus	5 = 4WD (115.9 WB)		EVA = Next Generation 4.7L Magnum V8	DGQ = 5 Speed Automatic 5-45RFE
X = R/T			EMO = All 5.9L	DG0 = All Automatic Transmissions
H = SLT			EVO = All 4.7L	

AR = use ase required - = Non illustrated part

**Wiring Kit -Trailer Tow**  
Figure 1-292



ITEM	PART NUMBER	QTY	LINE	SERIES	BODY	ENGINE	TRANS	TRIM	DESCRIPTION
1	82204091	1	1, 5		74				WIRING KIT, Trailer Tow - 7 Way
2	82204091	1							WIRING PACKAGE, Trailer Tow, Serviced in package, (NOT SERVICED)
3	56007078	1	1, 5		74				RELAY, Electrical
4	04671168	1	1, 5		74				RELAY, Mini
5	56038366AB	1							CONNECTOR, 7 Way
6	00154633	1	1, 5		74				SCREW, .164-18x.625
7	06016155	1							STRAP, Tie
8	06016155	1							STRAP, Tie
-9	00154554	1	1, 5		74				SCREW, Self Piercing, .25-14x.625

**DURANGO (DN)**

SERIES	LINE	BODY	ENGINE	TRANSMISSION
M = Sport	1 = 2WD (115.9 WB)	74 = 4 Door	EML = Magnum 5.9L SMPI	DGT = 4 Speed Automatic 46RE
P = SLT Plus	5 = 4WD (115.9 WB)		EVA = Next Generation 4.7L	DGQ = 5 Speed Automatic 5-45RFE
X = R/T			Magnum V8	DG0 = All Automatic Transmissions
H = SLT			EM0 = All 5.9L	
			EVO = All 4.7L	

AR = use ase required - = Non illustrated part