

## VIN PLATE DECODING INFORMATION

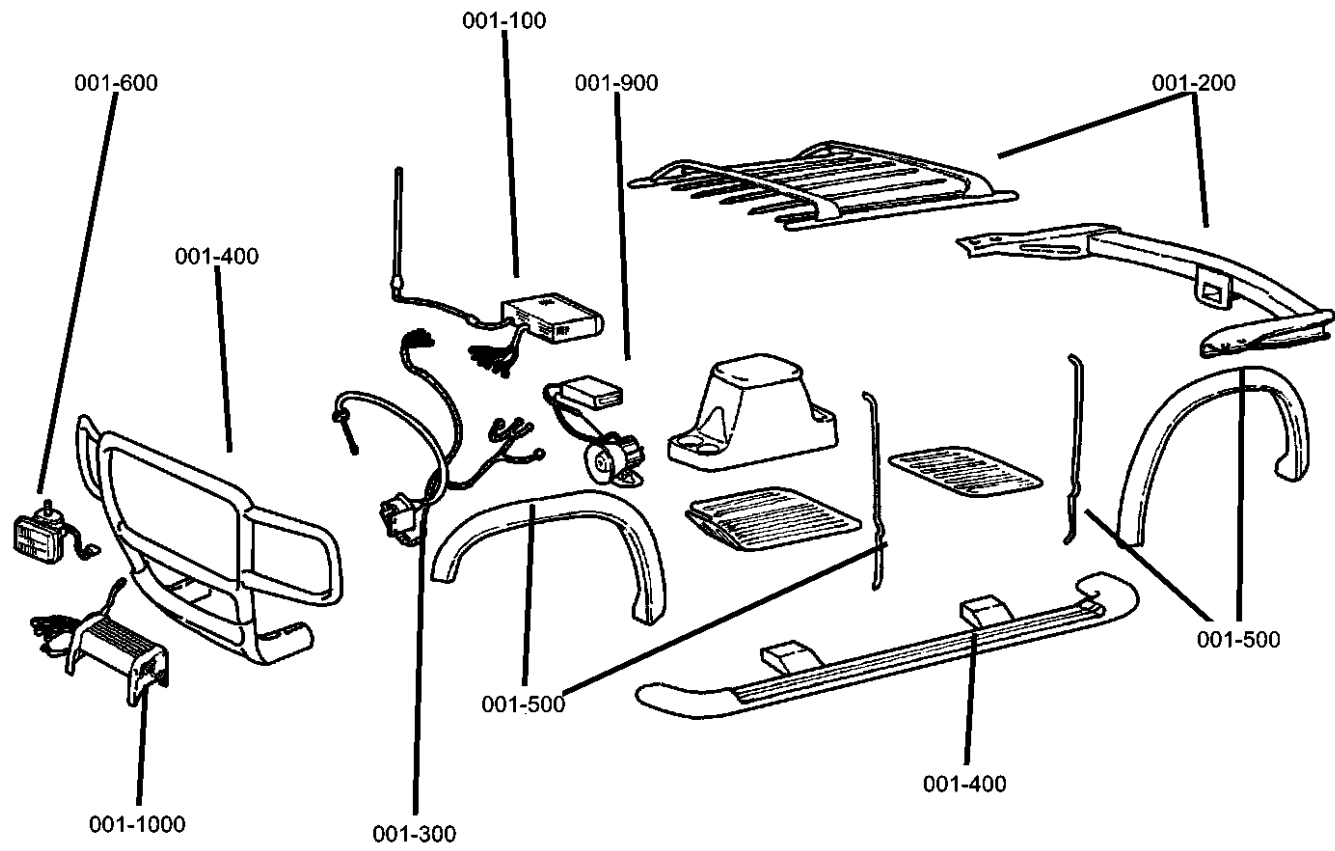
1	2	3	4	5	6	7	8	9	10	11	12 thru 17
Country	Make	Vehicle Type	Other	Line	Series	Body Style	Engine	Check Digit	Model Year	Assy. Plant	Sequence No.

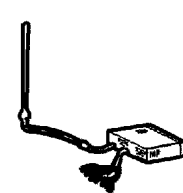
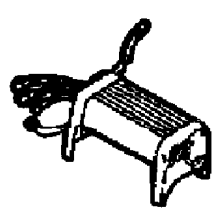
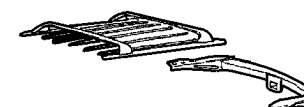

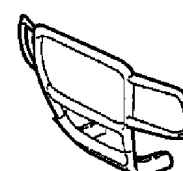
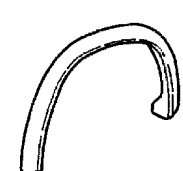

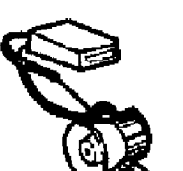
The following table interprets the VIN Plate position shown above.

Position	Interpretation	Codes = Description
1	Country of Origin	1 = Built in U.S by DaimlerChrysler
2	Assembler	B = Dodge
3	Vehicle Type	7 = Truck
4	GVWR & Pass. Safety	D = 0-1.360 kg (0-3.000 lbs) E = 1.361-1.814 kg (3.001-4.000 lbs) F = 1.815-2.267 kg (4.001-5.000 lbs) G = 2.268-2721 kg (5.001-6.000 lbs) H = 2.722-3.175 kg (6.001-7.000 lbs) J = 3.176-3.628 kg (7.001-8.000 lbs) K = 3.629-4.082 kg (8.001-9000 lbs) L = 4.083-4535 kg (9.001-10.000 lbs) M = 4.536-6.350 kg (10.001-14.000 lbs)
5	Vehicle Line	R = Durango 4x2 S = Durango 4x4
6	Series	2 = Durango
7	Body Style	8 = Sport Utility
8	Engine	N = 4.7L 8 Cyl. Gasoline (MPI) (EVA) Z = 5.9L 8 Cyl. Gasoline (MPI) (EML)
9	Check Digit	0 = Check Digit 0 = Check Digit 0 = Check Digit
10	Model Year	1 = 2001
11	Assembly Plant	F = Newark Assembly
12 thru 17	Vehicle Build Sequence	Model Year Assembly Sequence

# Group - 1

## Component Parts for Mopar Accessories



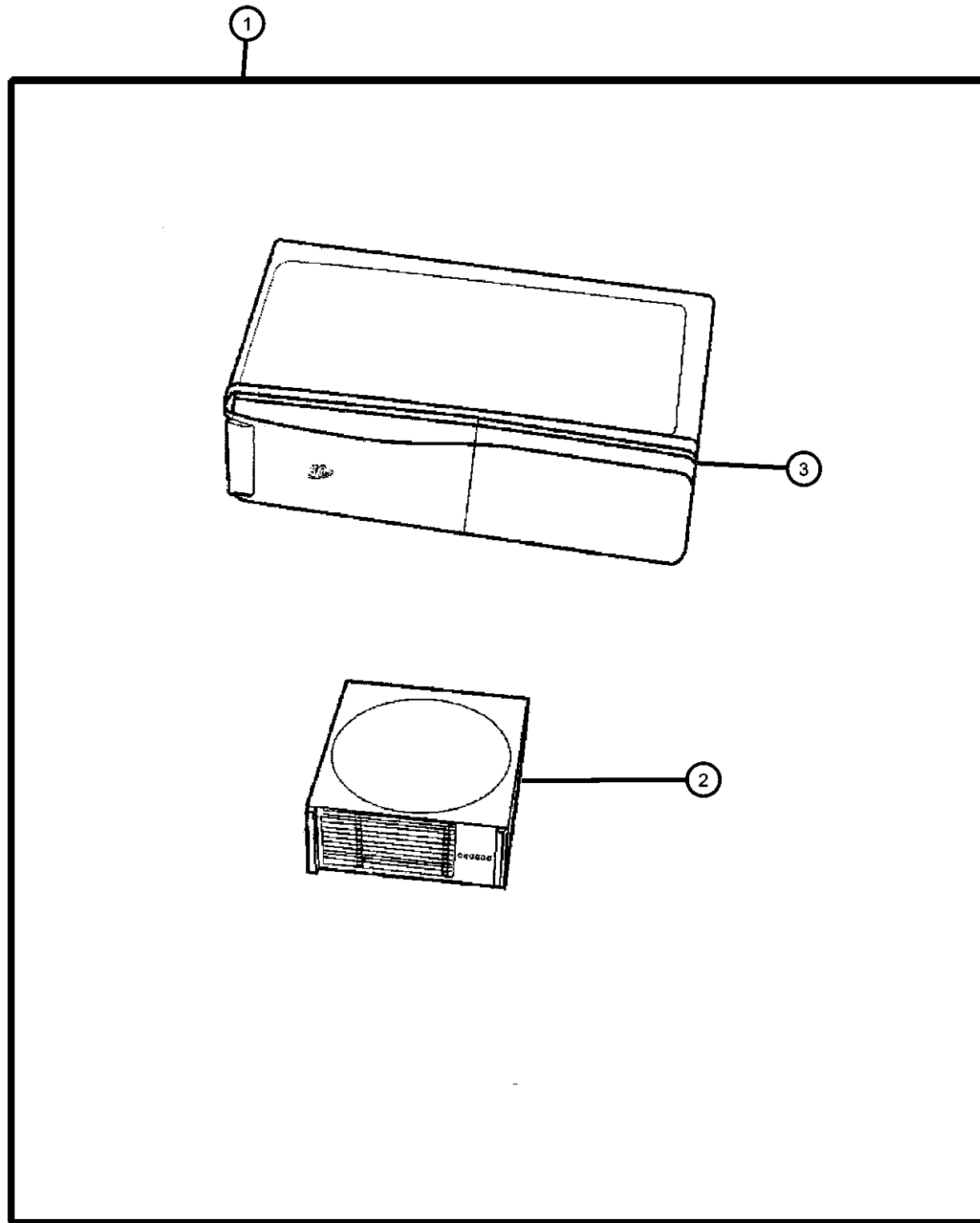
<p><b>001-100</b> Audio &amp; Electronics</p> 	<p><b>001-1000</b> 4 - Wheeling &amp; Off Road</p> 	<p><b>001-200</b> Carriers &amp; Cargo Hauling</p> 	<p><b>001-300</b> Driving Convenience</p> 
<p><b>001-400</b> Exterior Appearance</p> 	<p><b>001-500</b> Exterior Protection</p> 	<p><b>001-600</b> Fog Lights &amp; Electrical</p> 	<p><b>001-900</b> Security</p> 

---

## Group - 1 Component Parts for Mopar Accessories

Illustration Title	Group-Fig. No.
<b>Audio &amp; Electronics</b>	
Player Kit - CD.....	Fig. 1 - 110
Player Kit - CD Changer.....	Fig. 1 - 112
Install Kit - CD.....	Fig. 1 - 132
Navigation Kit.....	Fig. 1 - 140
<b>Carriers &amp; Cargo Hauling</b>	
Bike Carrier - Hitch Mount.....	Fig. 1 - 210
Bike Carrier - Roof Mount.....	Fig. 1 - 212
Bike Carrier - Roof.....	Fig. 1 - 214
Carrier Kit - Canoe.....	Fig. 1 - 220
Carrier Kit -Water Sports.....	Fig. 1 - 222
Carrier Kit - Ski.....	Fig. 1 - 230
Carrier Kit - Ski (Two Pair).....	Fig. 1 - 232
Carrier Kit - Ski (Four Pair).....	Fig. 1 - 234
Carrier Kit - Ski (Six Pair).....	Fig. 1 - 237
Carrier Kit - Basket.....	Fig. 1 - 240
Carrier Kit - Multipurpose.....	Fig. 1 - 250
Luggage Rack Package - Roof.....	Fig. 1 - 260
Luggage Carrier - Roof Mount.....	Fig. 1 - 264
Cooler Kit - Transmission Oil.....	Fig. 1 - 270
Wiring Kit -Trailer Tow.....	Fig. 1 - 292
<b>Driving Convenience</b>	
Speed Control Kit.....	Fig. 1 - 310
Mounting Kit - Cellular Phone.....	Fig. 1 - 330
<b>Exterior Appearance</b>	
Brush Guard.....	Fig. 1 - 420
Grille Guard.....	Fig. 1 - 422
Running Boards.....	Fig. 1 - 430
Sidestep Kit - Molded.....	Fig. 1 - 432
Sidestep Kit - Tubular.....	Fig. 1 - 434
<b>Exterior Protection</b>	
Wheel Lip Molding.....	Fig. 1 - 510
Shield Kit - Air Front.....	Fig. 1 - 520
<b>Fog Lights &amp; Electrical</b>	
Heater Package - Engine Block.....	Fig. 1 - 610
<b>Security</b>	
Alarm, EVS II Security Plus.....	Fig. 1 - 910
<b>4 - Wheeling &amp; Off Road</b>	
Winch Kit - Power.....	Fig. 1 - 1010
Skid Plate - Front and Transfer Case.....	Fig. 1 - 1020

Player Kit - CD  
Figure 1-110



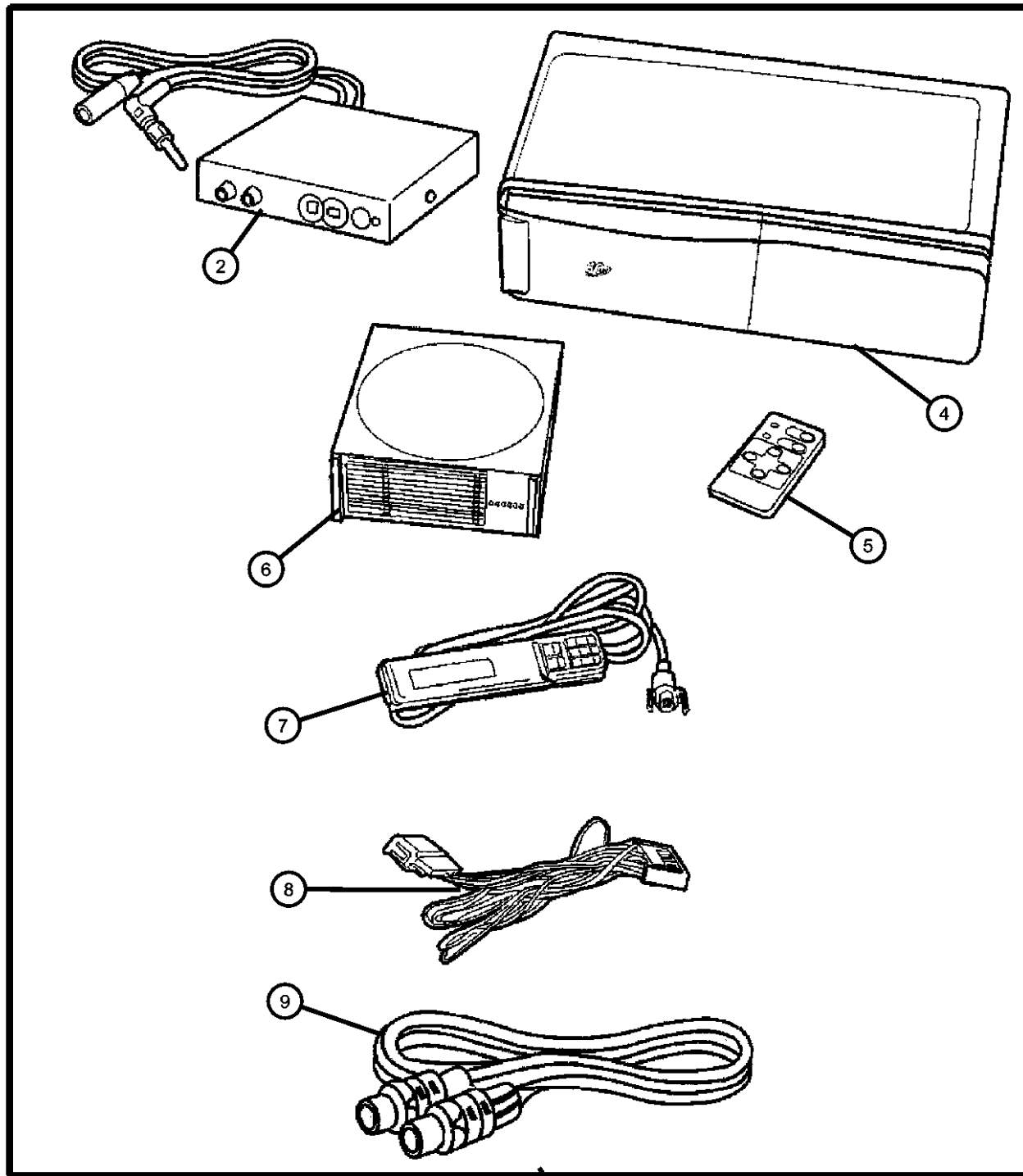
ITEM	PART NUMBER	QTY	LINE	SERIES	BODY	ENGINE	TRANS	TRIM	DESCRIPTION
1	82202700	1							PLAYER KIT, CD Changer - 6 Disc FM Modulated
	82203465	1							For Radios with CD Controls
2	04797433	1							MAGAZINE, CD Changer
3	04797433	1							CHANGER, CD, Serviced in Kit, (NOT SERVICED)

**DURANGO (DN)**

SERIES	LINE	BODY	ENGINE	TRANSMISSION
L = DURANGO	5 = Lt. Duty DODGE 4WD 1 = Lt. Duty DODGE 2WD	74 = SPORT UTILITY 4-DR	EML = ENGINE - 5.9L V8 MPI EVA = ENGINE- 4.7L V8 MPI EM0 = ENGINES - ALL 5.9L 8 CYL GAS EVO = ENGINES - ALL 4.7L GAS	DG4 = TRANSMISSION-MULTI-SPEED AUTO, 45RFE DGT = TRANSMISSION - 4-SPD. AUTOMATIC, 46RE DG4 = TRANSMISSION-MULTI-SPEED AUTO, 45RFE

AR = use ase required - = Non illustrated part

Player Kit - CD Changer  
Figure 1-112



ITEM	PART NUMBER	QTY	LINE	SERIES	BODY	ENGINE	TRANS	TRIM	DESCRIPTION
NOTE: For radio without CD controls. Pentastar Logo, Includes RF Modulator, Power Cord, Din Cord, Hand Held and IR Remote Controller and CD Disc									
1	82204730	1	1, 5		74				PLAYER KIT, CD Changer - 12 Disc
2	05013804AA	1	1, 5		74				MODULATOR, FM
-3	05013800AA	1	1, 5		74				HARDWARE KIT, Mounting
4	05013806AA	1	1, 5		74				CHANGER, CD
5	05013802AA	1	1, 5		74				CONTROLLER, CD Wireless
6	05013805AA	1	1, 5		74				MAGAZINE, CD Changer
7	05013803AA	1	1, 5		74				CONTROLLER, CD Wired
8	04465117	1	1, 5		74				ADAPTOR, A/C
9	05013801AA	1	1, 5		74				DIN CORD, CD Player

**DURANGO (DN)**

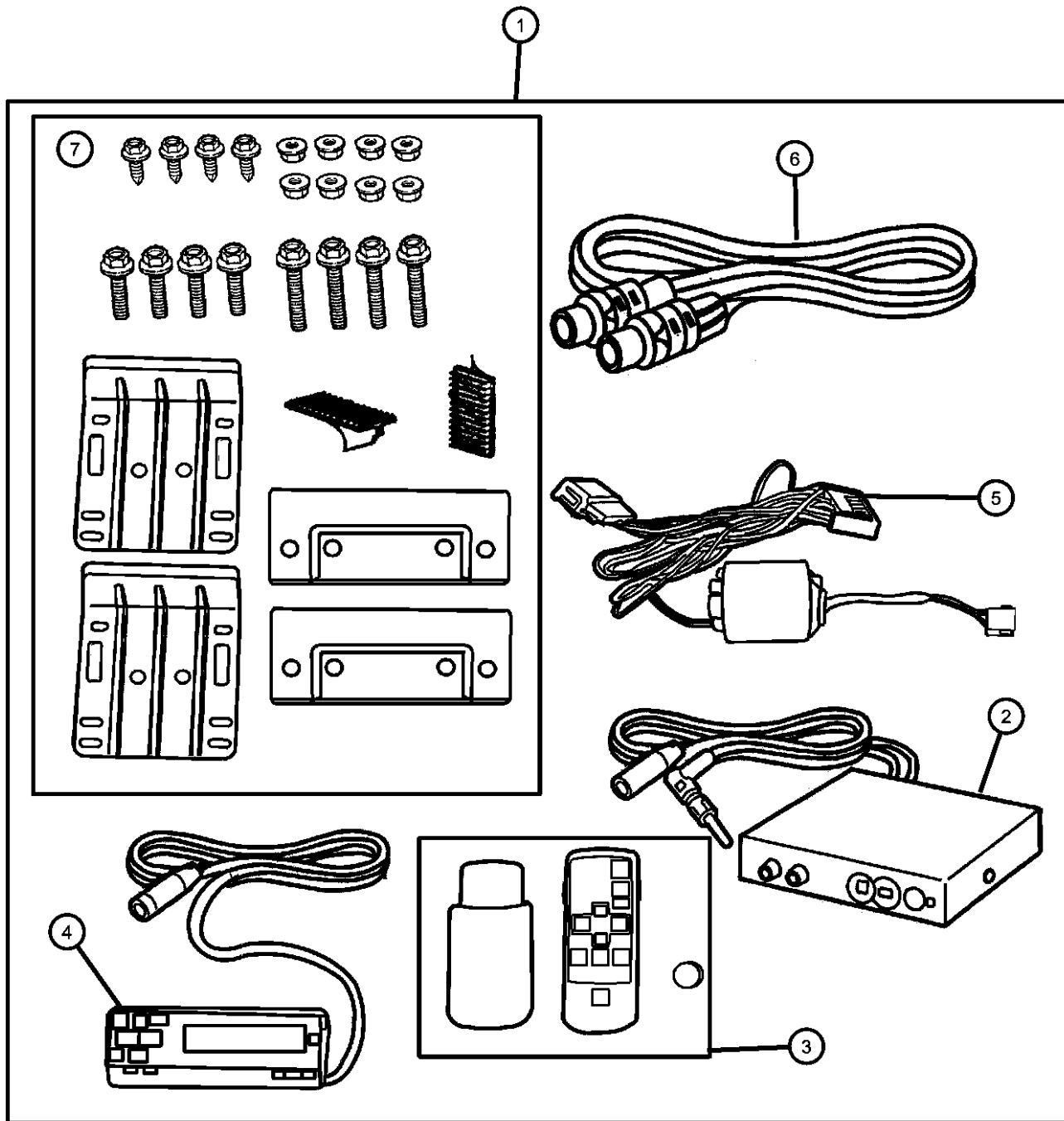
SERIES      LINE  
L = DURANGO    5 = Lt. Duty DODGE 4WD  
                         1 = Lt. Duty DODGE 2WD

BODY  
74 = SPORT UTILITY 4-DR

ENGINE                      TRANSMISSION  
EML = ENGINE - 5.9L V8 MPI    DG4 = TRANSMISSION-MULTI-  
EVA = ENGINE- 4.7L V8 MPI    SPEED AUTO, 45RFE  
EM0 = ENGINES - ALL 5.9L    DGT = TRANSMISSION - 4-SPD.  
8 CYL GAS                      AUTOMATIC, 46RE  
EVO = ENGINES - ALL 4.7L    DG4 = TRANSMISSION-MULTI-  
GAS                                SPEED AUTO, 45RFE

AR = use ase required    - = Non illustrated part

Install Kit - CD  
Figure 1-132



ITEM	PART NUMBER	QTY	LINE	SERIES	BODY	ENGINE	TRANS	TRIM	DESCRIPTION
------	-------------	-----	------	--------	------	--------	-------	------	-------------

NOTE: FM Modulator, CD Controller, wired and Mounting Hardware Kit are serviced in the Install Kit only.

1	82202292	1	1, 5		74				INSTALL KIT, CD Changer - Trunk
2	82202292	1							MODULATOR, FM Changer, (NOT SERVICED)
3	05017217AA	1	1, 5		74				CONTROLLER, CD Wireless
4	05017217AA	1							CONTROLLER, CD Wired, (NOT SERVICED)
5	04465117	1	1, 5		74				ADAPTOR, A/C
6	04465113	1	1, 5		74				CABLE, Din
7									BRACKET, With Hardware
	05017712AA	1	1, 5		74				Right
	05017713AA	1	1, 5		74				Left
-8	82205307	1							INSTALL KIT, CD Changer - Trunk, used with 82203465

**DURANGO (DN)**

SERIES      LINE  
L = DURANGO    5 = Lt. Duty DODGE 4WD  
                         1 = Lt. Duty DODGE 2WD

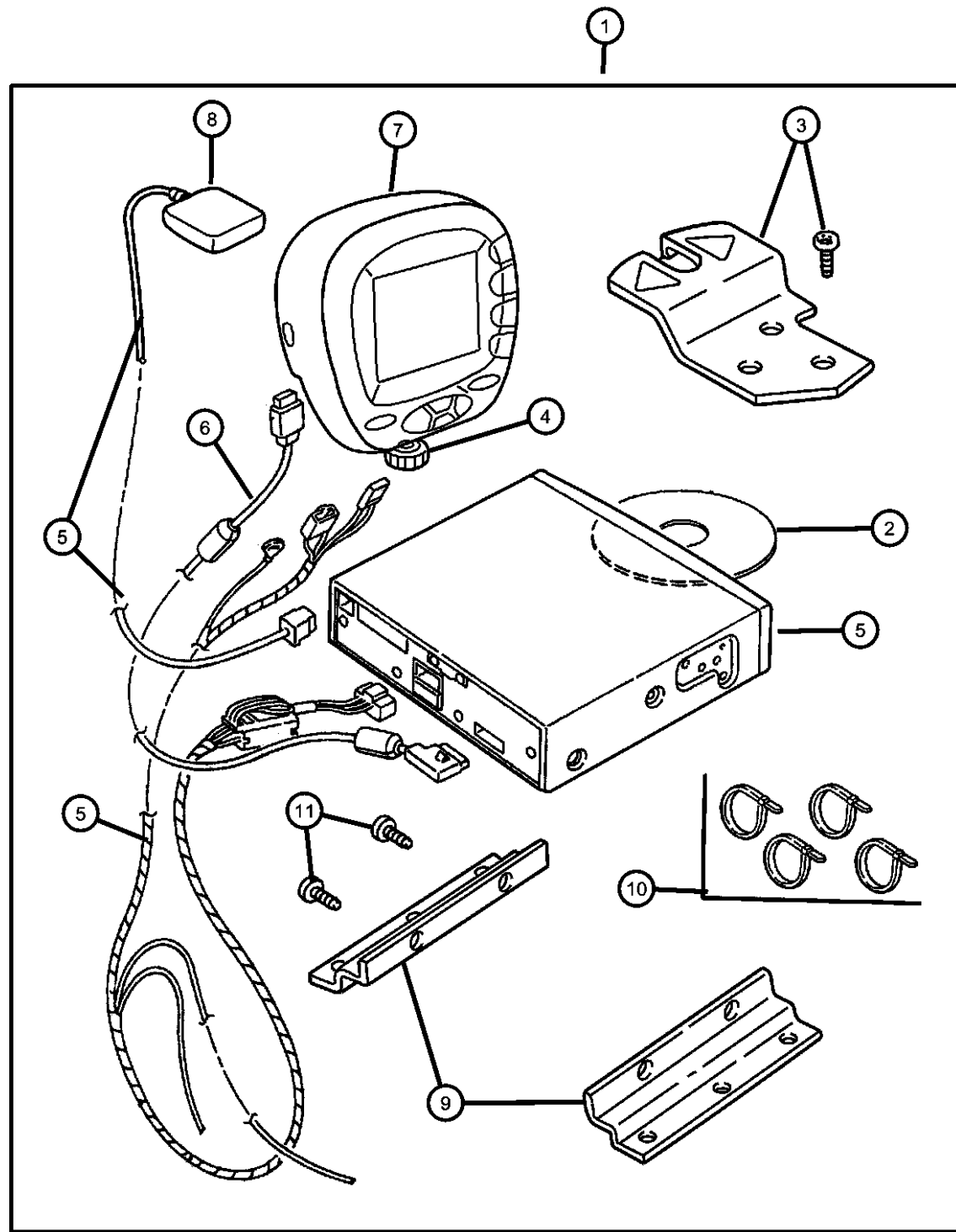
BODY  
74 = SPORT UTILITY 4-DR

ENGINE      TRANSMISSION  
EML = ENGINE - 5.9L V8 MPI    DG4 = TRANSMISSION-MULTI-  
EVA = ENGINE- 4.7L V8 MPI    SPEED AUTO, 45RFE  
EM0 = ENGINES - ALL 5.9L    DGT = TRANSMISSION - 4-SPD.  
8 CYL GAS                        AUTOMATIC, 46RE  
EVO = ENGINES - ALL 4.7L    DG4 = TRANSMISSION-MULTI-  
GAS                                 SPEED AUTO, 45RFE

AR = use ase required    - = Non illustrated part

2001 DN

Navigation Kit  
Figure 1-140



ITEM	PART NUMBER	QTY	LINE	SERIES	BODY	ENGINE	TRANS	TRIM	DESCRIPTION
1									NAVIGATION KIT, Vehicle
	82206985	1	1, 5		74				Western
	82206986	1	1, 5		74				Central
	82206987	1	1, 5		74				Eastern
2									COMPACT DISC, Navigation
	05017415AB	1	1, 5		74				Western
	05017416AB	1	1, 5		74				Central
	05017417AB	1	1, 5		74				Eastern
3	05072410AA	1	1, 5		74				BRACKET, Navigation Display
4	05017434AA	1			74				SCREW, Thumb
5	05017434AA	1							NAVIGATION KIT, Generic System, (NOT SERVICED)
6	05017433AA	1			74				WIRING, Navigation Display
7	05017418AA	1			74				MODULE, Navigation Display
8	05017420AA	1			74				ANTENNA, Global Positioning
9	82206983	1	1, 5		74				INSTALL KIT, Vehicle Navigation System
10	82206983	1							STRAP, Tie, (NOT SERVICED)
11	82206983	1							SCREW, Serviced in package., (NOT SERVICED)

**DURANGO (DN)**

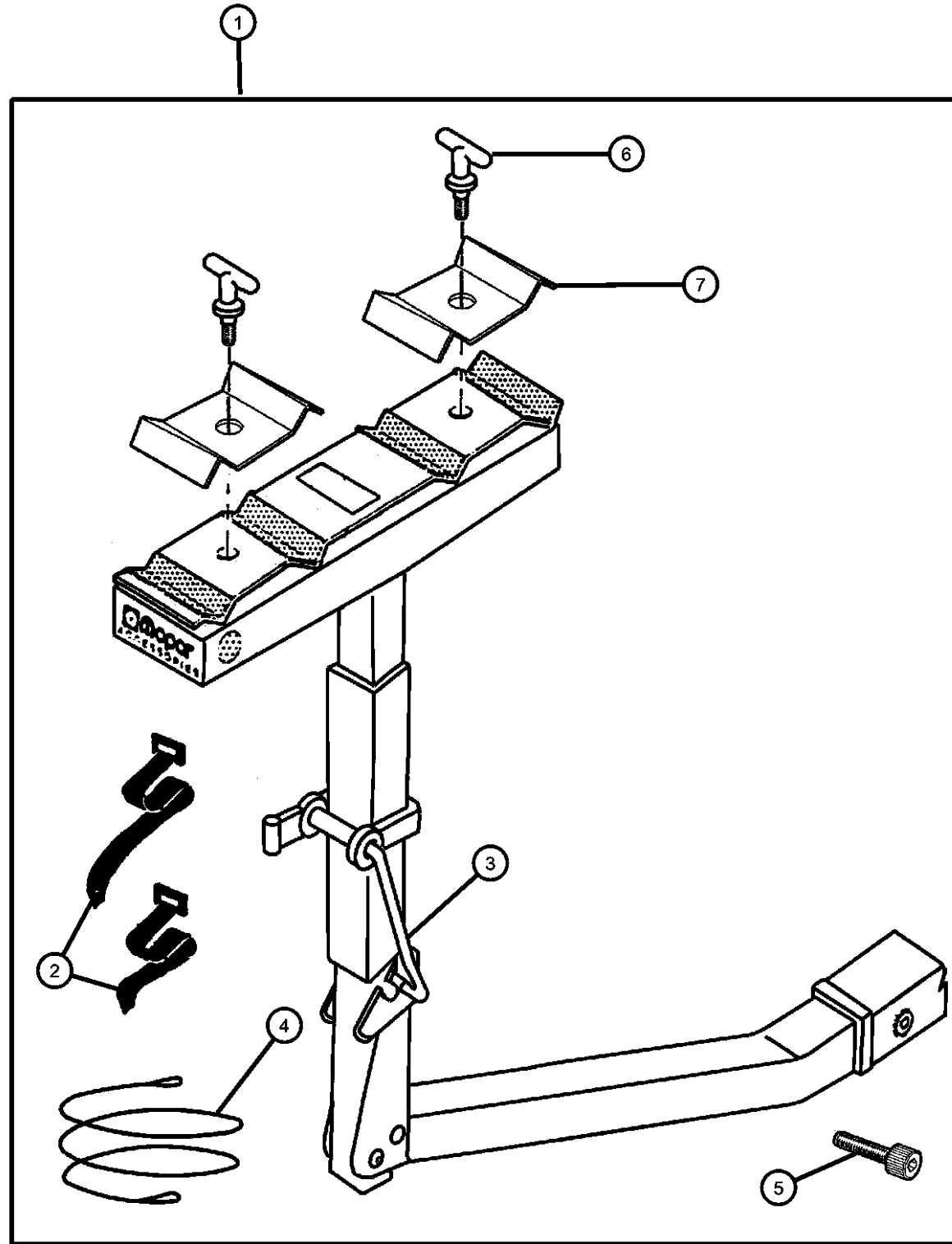
SERIES      LINE  
L = DURANGO    5 = Lt. Duty DODGE 4WD  
                         1 = Lt. Duty DODGE 2WD

BODY  
74 = SPORT UTILITY 4-DR

ENGINE      TRANSMISSION  
EML = ENGINE - 5.9L V8 MPI    DG4 = TRANSMISSION-MULTI-  
EVA = ENGINE- 4.7L V8 MPI    SPEED AUTO, 45RFE  
EM0 = ENGINES - ALL 5.9L    DGT = TRANSMISSION - 4-SPD.  
8 CYL GAS                            AUTOMATIC, 46RE  
EVO = ENGINES - ALL 4.7L    DG4 = TRANSMISSION-MULTI-  
GAS                                        SPEED AUTO, 45RFE

AR = use ase required - = Non illustrated part

**Bike Carrier - Hitch Mount**  
**Figure 1-210**



ITEM	PART NUMBER	QTY	LINE	SERIES	BODY	ENGINE	TRANS	TRIM	DESCRIPTION
1									CARRIER KIT, Bike
	82204328	1	1, 5		74				Four Bike
	82204453	1	1, 5		74				Two Bike
2	04762880	1	1, 5		74				STRAP KIT, Velcro, Contains: 1 - Long and 1 - Short
3	05016775AA	1	1, 5		74				STRAP KIT, Bike Carrier Latch, Contains: 2 - Rubber Straps
4	04762882	1	1, 5		74				LOCK KIT, Bike Carrier Handle
5	05016776AA	1	1, 5		74				BOLT KIT, Security
6	05016610AA	1	1, 5		74				HARDWARE KIT, Accessory, T - Handle
7	05016657AA	1	1, 5		74				HARDWARE KIT, Accessory, Top Clamp - 82204328 uses 2

**DURANGO (DN)**

SERIES      LINE  
L = DURANGO    5 = Lt. Duty DODGE 4WD  
                         1 = Lt. Duty DODGE 2WD

BODY  
74 = SPORT UTILITY 4-DR

ENGINE                      TRANSMISSION  
EML = ENGINE - 5.9L V8 MPI    DG4 = TRANSMISSION-MULTI-  
EVA = ENGINE- 4.7L V8 MPI    SPEED AUTO, 45RFE  
EM0 = ENGINES - ALL 5.9L    DGT = TRANSMISSION - 4-SPD.  
8 CYL GAS                      AUTOMATIC,46RE  
EVO = ENGINES - ALL 4.7L    DG4 = TRANSMISSION-MULTI-  
GAS                                SPEED AUTO, 45RFE

AR = use ase required    - = Non illustrated part

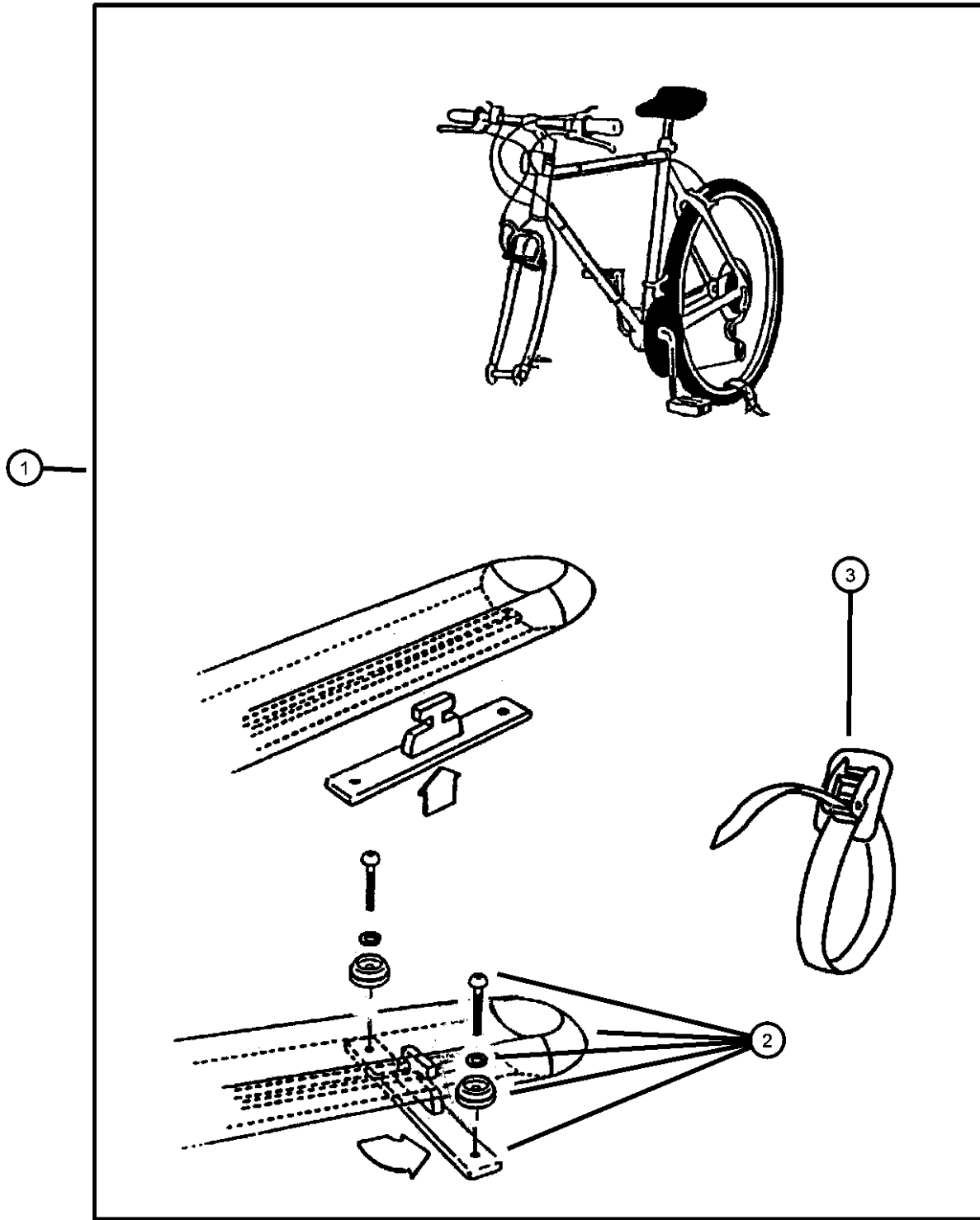


**Bike Carrier - Roof Mount**  
**Figure 1-212**

ITEM	PART NUMBER	QTY	LINE	SERIES	BODY	ENGINE	TRANS	TRIM	DESCRIPTION
------	-------------	-----	------	--------	------	--------	-------	------	-------------

NOTE: Hardware Kit also contained in Carrier Kit.

1	82300585	1	1, 5		74				CARRIER KIT, Bike, Fork - Mount
2	05016512AA	1	1, 5		74				HARDWARE KIT, Accessory, Contains: 2 T-Slots, 4 Dome Washers, 4 M6x1x16mm screws and 2 M6 Lockwashers
3	05016513AA	1	1, 5		74				STRAP, Cargo Tie Down, Contains: 2 Straps



**DURANGO (DN)**

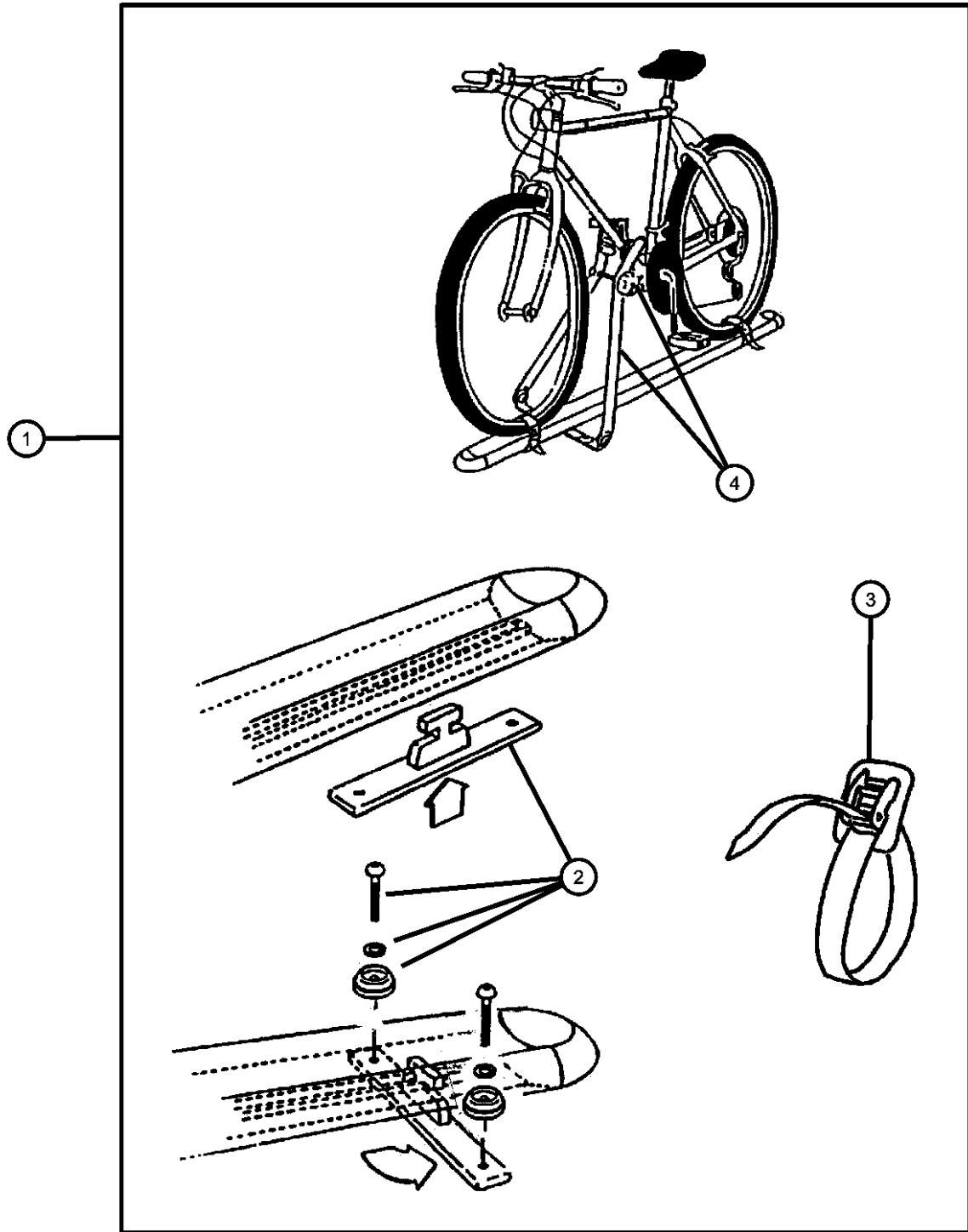
SERIES	LINE	BODY	ENGINE	TRANSMISSION
L = DURANGO	5 = Lt. Duty DODGE 4WD 1 = Lt. Duty DODGE 2WD	74 = SPORT UTILITY 4-DR	EML = ENGINE - 5.9L V8 MPI EVA = ENGINE- 4.7L V8 MPI EM0 = ENGINES - ALL 5.9L 8 CYL GAS EVO = ENGINES - ALL 4.7L GAS	DG4 = TRANSMISSION-MULTI-SPEED AUTO, 45RFE DGT = TRANSMISSION - 4-SPD. AUTOMATIC, 46RE DG4 = TRANSMISSION-MULTI-SPEED AUTO, 45RFE

AR = use ase required - = Non illustrated part

2001 DN

**Bike Carrier - Roof**  
**Figure 1-214**

ITEM	PART NUMBER	QTY	LINE	SERIES	BODY	ENGINE	TRANS	TRIM	DESCRIPTION
1	82203471	1	1, 5		74				CARRIER KIT, Bike, Upright - Mount
2	05016512AA	1	1, 5		74				HARDWARE KIT, Accessory
3	05016513AA	1	1, 5		74				STRAP, Cargo Tie Down
4	05018194AA	1	1, 5		74				HARDWARE KIT, Bike Carrier



**DURANGO (DN)**

SERIES      LINE  
L = DURANGO    5 = Lt. Duty DODGE 4WD  
                         1 = Lt. Duty DODGE 2WD

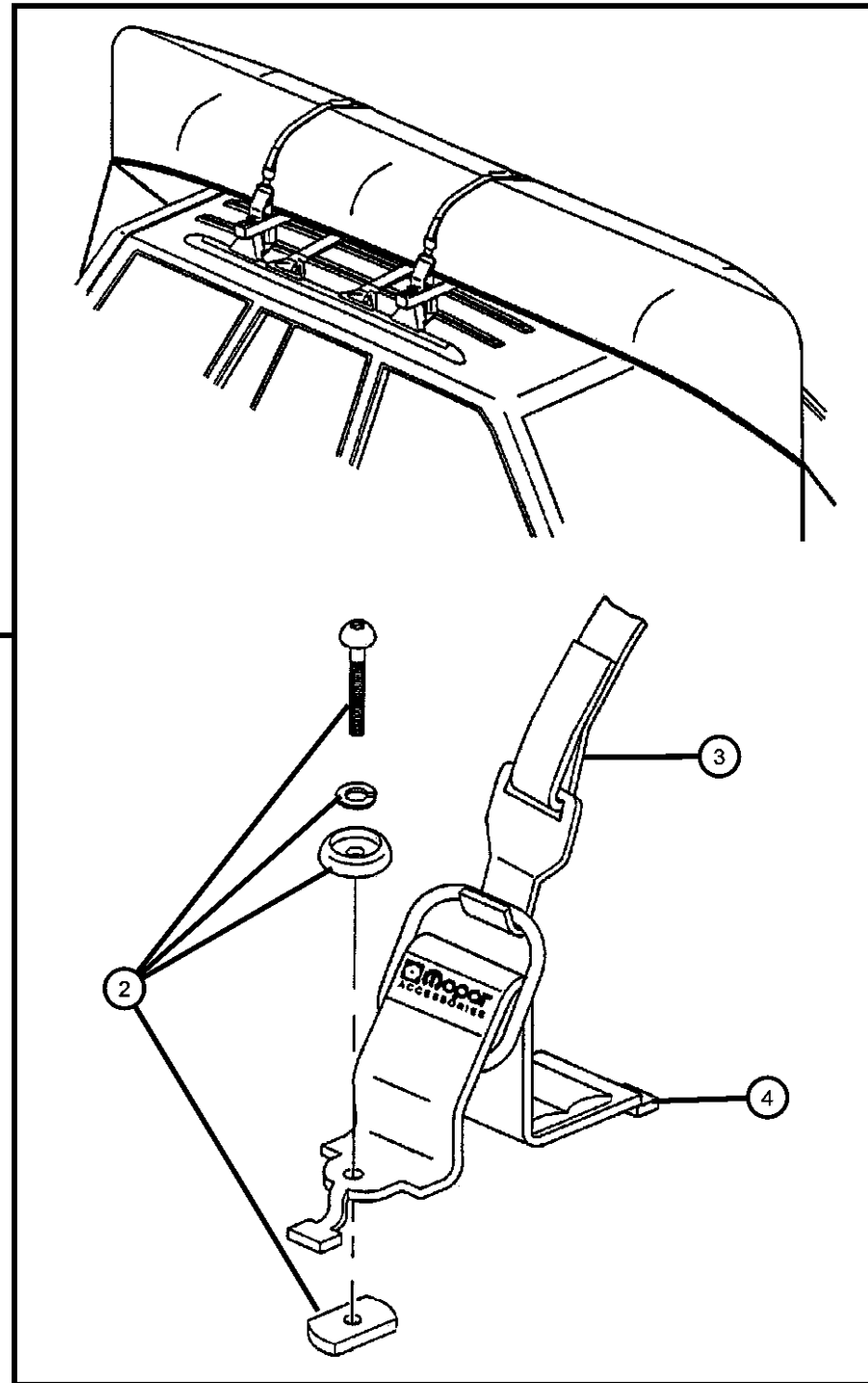
BODY  
74 = SPORT UTILITY 4-DR

ENGINE                      TRANSMISSION  
EML = ENGINE - 5.9L V8 MPI    DG4 = TRANSMISSION-MULTI-  
EVA = ENGINE- 4.7L V8 MPI    SPEED AUTO, 45RFE  
EM0 = ENGINES - ALL 5.9L    DGT = TRANSMISSION - 4-SPD.  
8 CYL GAS                      AUTOMATIC, 46RE  
EVO = ENGINES - ALL 4.7L    DG4 = TRANSMISSION-MULTI-  
GAS                                SPEED AUTO, 45RFE

AR = use ase required    - = Non illustrated part

**Carrier Kit - Canoe**  
**Figure 1-220**

ITEM	PART NUMBER	QTY	LINE	SERIES	BODY	ENGINE	TRANS	TRIM	DESCRIPTION
------	-------------	-----	------	--------	------	--------	-------	------	-------------



NOTE: Use only with Sport Utility Bar  
 NOTE: Hardware Kit also contained in Carrier Kit

1	82204700	1	1, 5		74				CARRIER KIT, Water Sports
2	05016389AA	1	1, 5		74				HARDWARE KIT, Accessory, Consists of: 4-25mm Button Head Screws, 4-30mm Button Head Screws, 4 Lock Washers, 4 Dome washers, 4 T-Nuts
3	05016511AA	1	1, 5		74				STRAP, Cargo Tie Down
4	05016510AA	1	1, 5		74				BRACKET, Cargo Tie Down

**DURANGO (DN)**

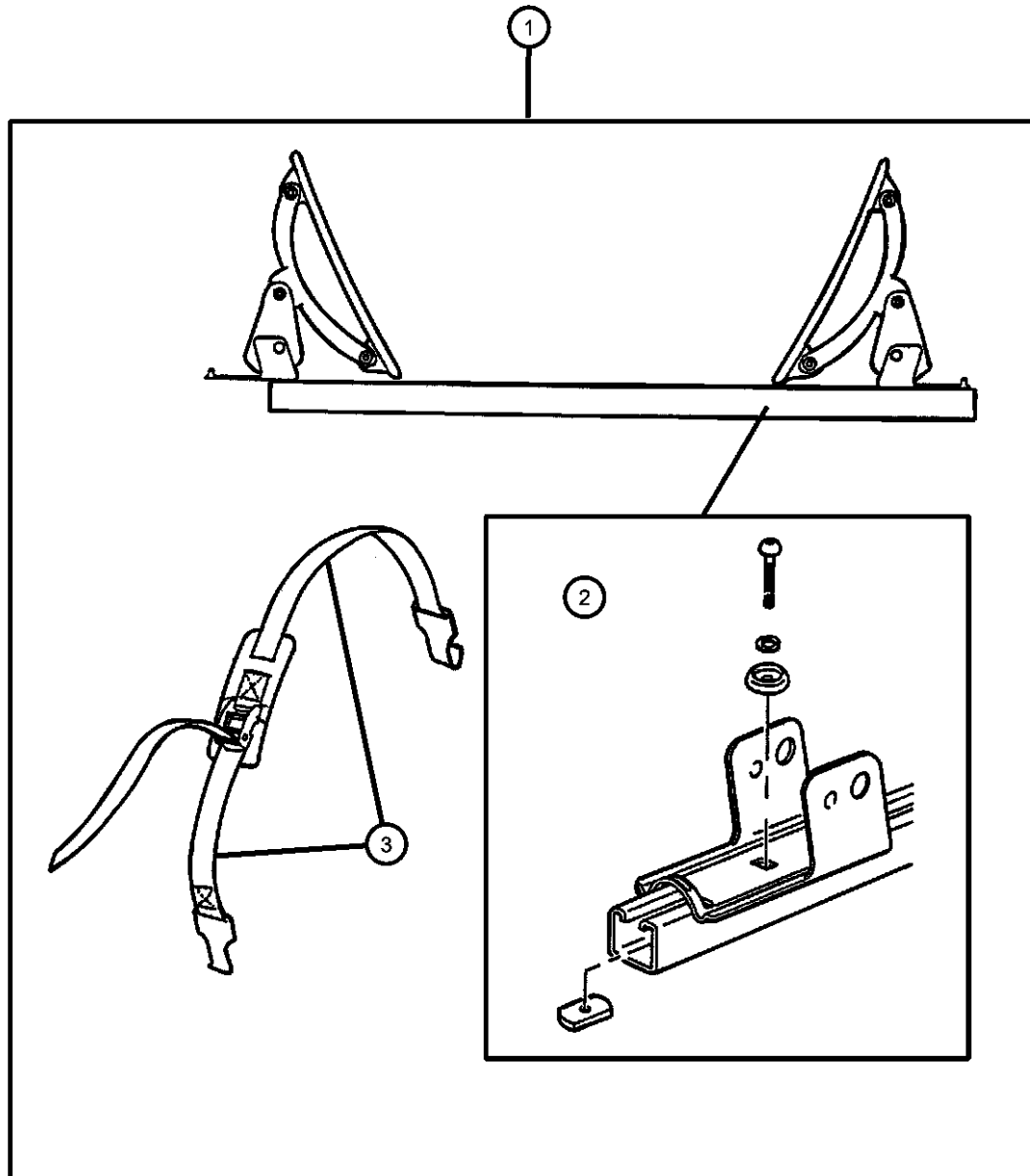
SERIES	LINE	BODY	ENGINE	TRANSMISSION
L = DURANGO	5 = Lt. Duty DODGE 4WD 1 = Lt. Duty DODGE 2WD	74 = SPORT UTILITY 4-DR	EML = ENGINE - 5.9L V8 MPI EVA = ENGINE- 4.7L V8 MPI EM0 = ENGINES - ALL 5.9L 8 CYL GAS EVO = ENGINES - ALL 4.7L GAS	DG4 = TRANSMISSION-MULTI- SPEED AUTO, 45RFE DGT = TRANSMISSION - 4-SPD. AUTOMATIC, 46RE DG4 = TRANSMISSION-MULTI- SPEED AUTO, 45RFE

AR = use ase required - = Non illustrated part

2001 DN

**Carrier Kit -Water Sports**  
**Figure 1-222**

ITEM	PART NUMBER	QTY	LINE	SERIES	BODY	ENGINE	TRANS	TRIM	DESCRIPTION
1	82204701	1	1, 5		74				CARRIER KIT, Water Sports
2	05016389AA	1	1, 5		74				HARDWARE KIT, Accessory, Consists of: 4-25mm Screws, 12 Washers, 4 T-Nuts
3	05016511AA	1	1, 5		74				STRAP, Cargo Tie Down



**DURANGO (DN)**

SERIES	LINE
L = DURANGO	5 = Lt. Duty DODGE 4WD 1 = Lt. Duty DODGE 2WD

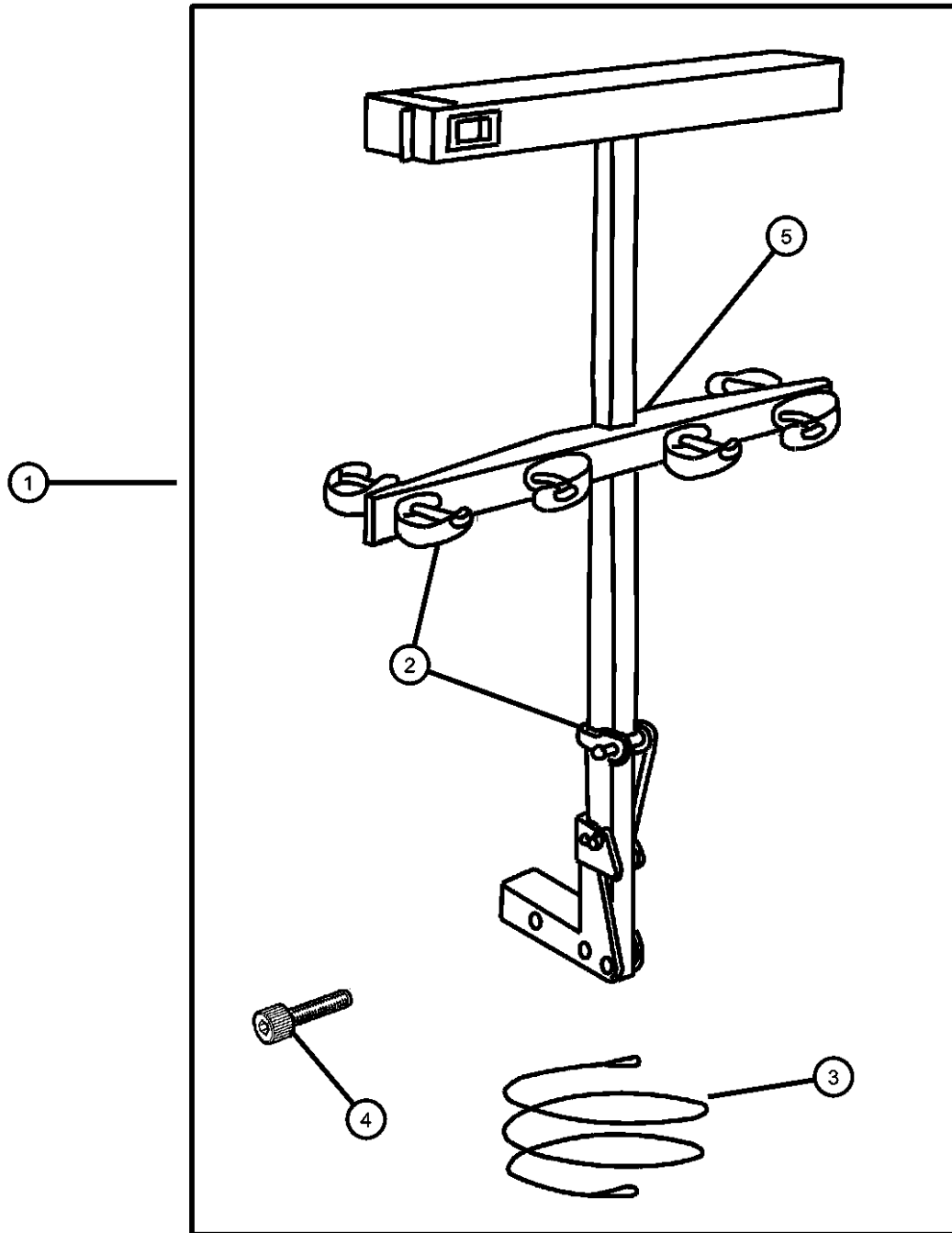
BODY
74 = SPORT UTILITY 4-DR

ENGINE	TRANSMISSION
EML = ENGINE - 5.9L V8 MPI	DG4 = TRANSMISSION-MULTI-SPEED AUTO, 45RFE
EVA = ENGINE- 4.7L V8 MPI	DGT = TRANSMISSION - 4-SPD. AUTOMATIC, 46RE
EM0 = ENGINES - ALL 5.9L 8 CYL GAS	DG4 = TRANSMISSION-MULTI-SPEED AUTO, 45RFE
EVO = ENGINES - ALL 4.7L GAS	

AR = use ase required - = Non illustrated part

Carrier Kit - Ski  
Figure 1-230

ITEM	PART NUMBER	QTY	LINE	SERIES	BODY	ENGINE	TRANS	TRIM	DESCRIPTION
1	82204454	1							CARRIER KIT, Ski - 4 Pair
	82204455	1	1, 5		74				1.25 inch Receiver
2	05016775AA	1							STRAP KIT, Bike Carrier Latch
3	04762882	1							LOCK KIT, Bike Carrier Handle
4	05016776AA	1							BOLT KIT, Security
5	05016610AA	1							HARDWARE KIT, Accessory

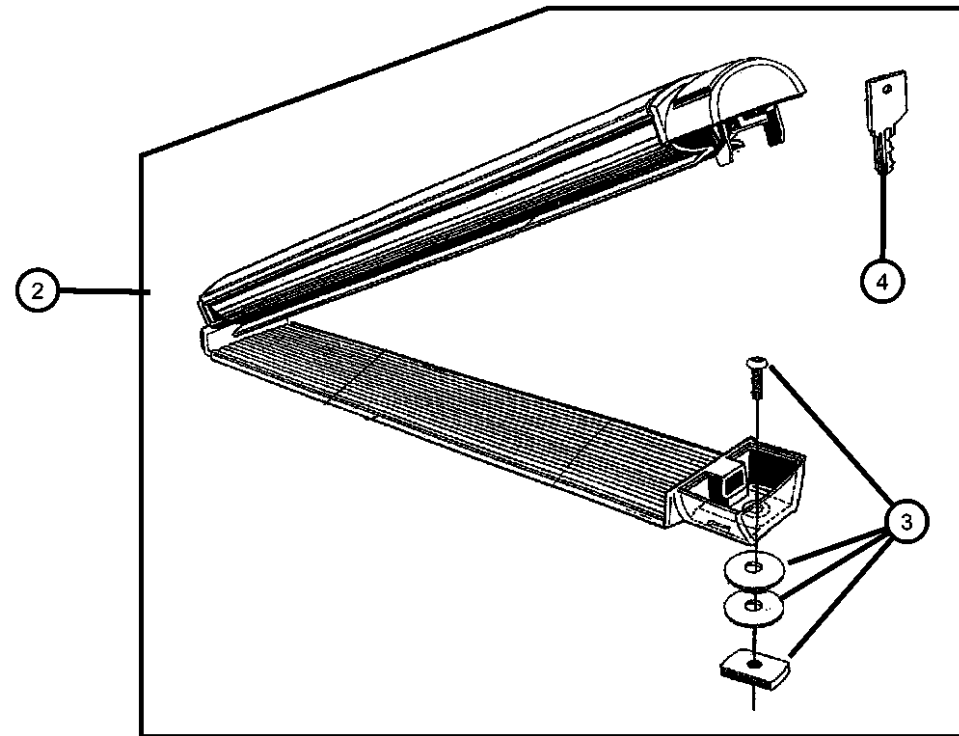
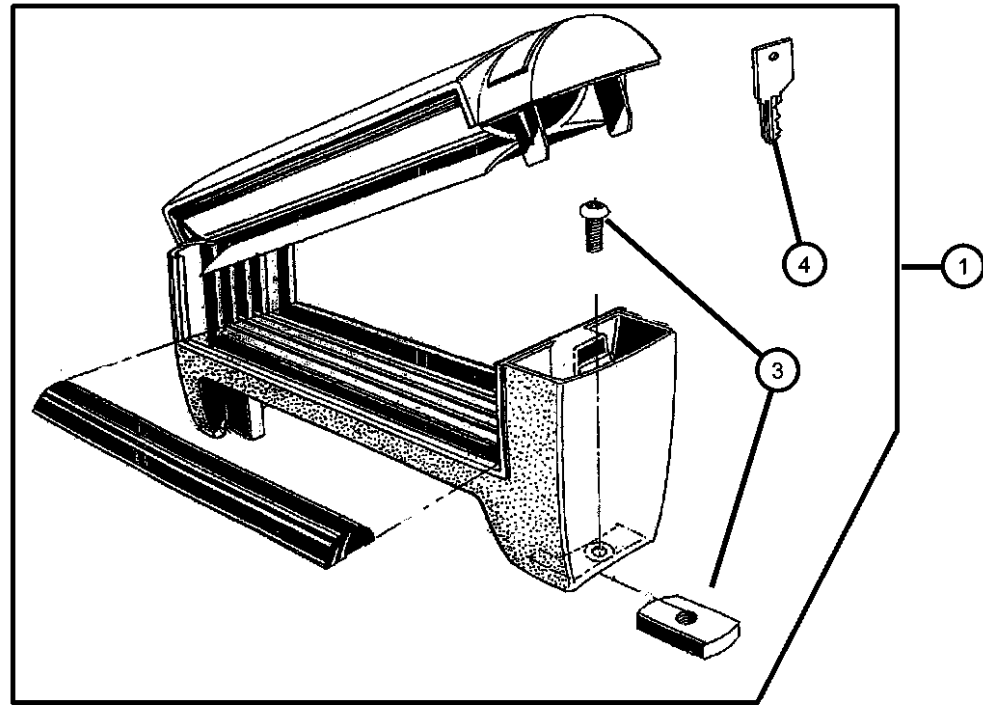


**DURANGO (DN)**

SERIES	LINE	BODY	ENGINE	TRANSMISSION
L = DURANGO	5 = Lt. Duty DODGE 4WD 1 = Lt. Duty DODGE 2WD	74 = SPORT UTILITY 4-DR	EML = ENGINE - 5.9L V8 MPI EVA = ENGINE- 4.7L V8 MPI EM0 = ENGINES - ALL 5.9L 8 CYL GAS EVO = ENGINES - ALL 4.7L GAS	DG4 = TRANSMISSION-MULTI- SPEED AUTO, 45RFE DGT = TRANSMISSION - 4-SPD. AUTOMATIC, 46RE DG4 = TRANSMISSION-MULTI- SPEED AUTO, 45RFE

AR = use ase required - = Non illustrated part

**Carrier Kit - Ski (Two Pair)**  
**Figure 1-232**



ITEM	PART NUMBER	QTY	LINE	SERIES	BODY	ENGINE	TRANS	TRIM	DESCRIPTION
------	-------------	-----	------	--------	------	--------	-------	------	-------------

NOTE: New keys are Vendor Ship Direct.

1	82203474	1							CARRIER KIT, Ski - 2 Pair, High Mount
2	82203472	1							CARRIER KIT, Ski
3	05018389AA	1							HARDWARE KIT, Mounting High Mount
	05019077AA	1							
4	05019077AA	1							KEY, Master, (NOT SERVICED)

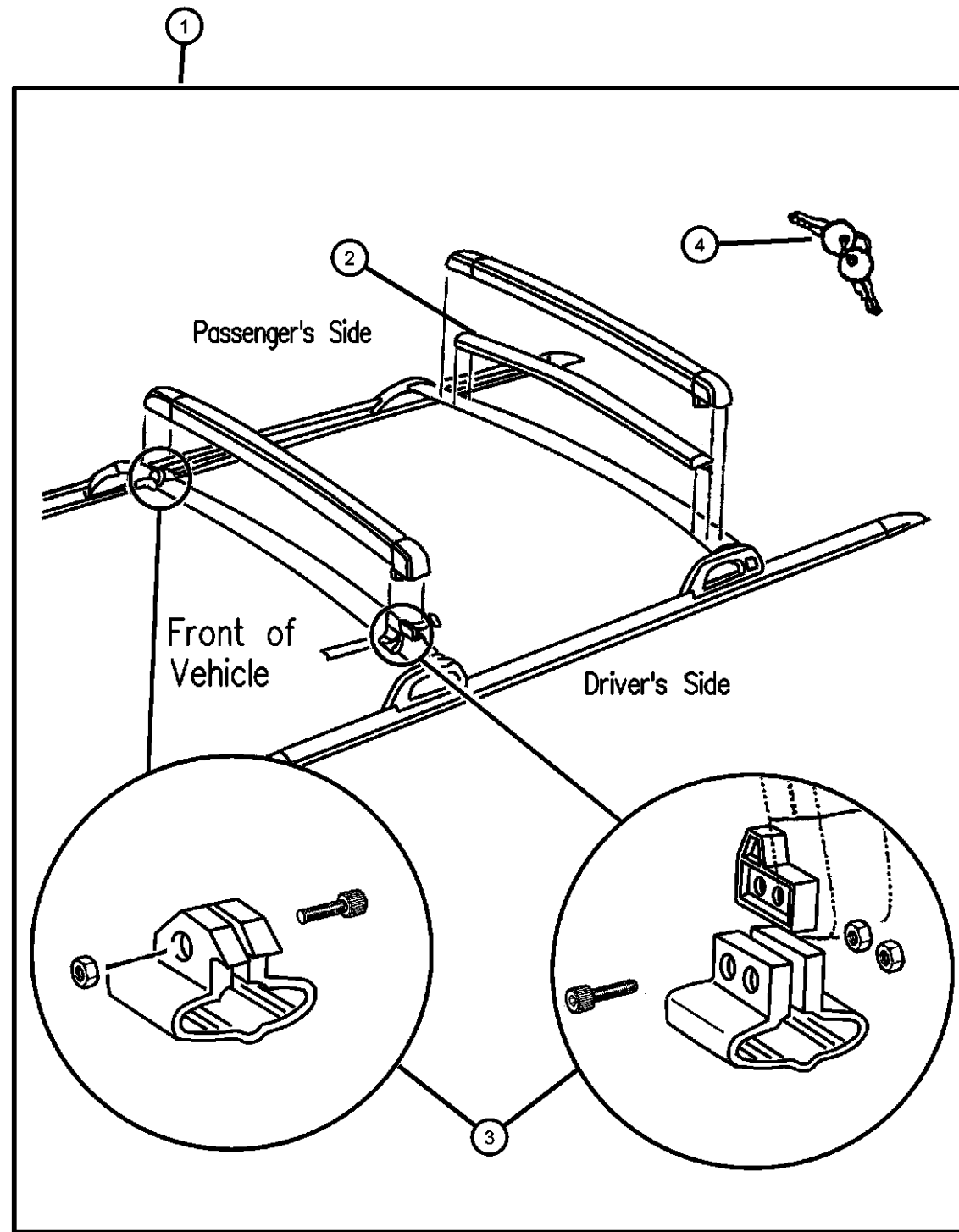
**DURANGO (DN)**

SERIES	LINE	BODY	ENGINE	TRANSMISSION
L = DURANGO	5 = Lt. Duty DODGE 4WD 1 = Lt. Duty DODGE 2WD	74 = SPORT UTILITY 4-DR	EML = ENGINE - 5.9L V8 MPI EVA = ENGINE- 4.7L V8 MPI EM0 = ENGINES - ALL 5.9L 8 CYL GAS EVO = ENGINES - ALL 4.7L GAS	DG4 = TRANSMISSION-MULTI-SPEED AUTO, 45RFE DGT = TRANSMISSION - 4-SPD. AUTOMATIC, 46RE DG4 = TRANSMISSION-MULTI-SPEED AUTO, 45RFE

AR = use ase required - = Non illustrated part

2001 DN

Carrier Kit - Ski (Four Pair)  
Figure 1-234



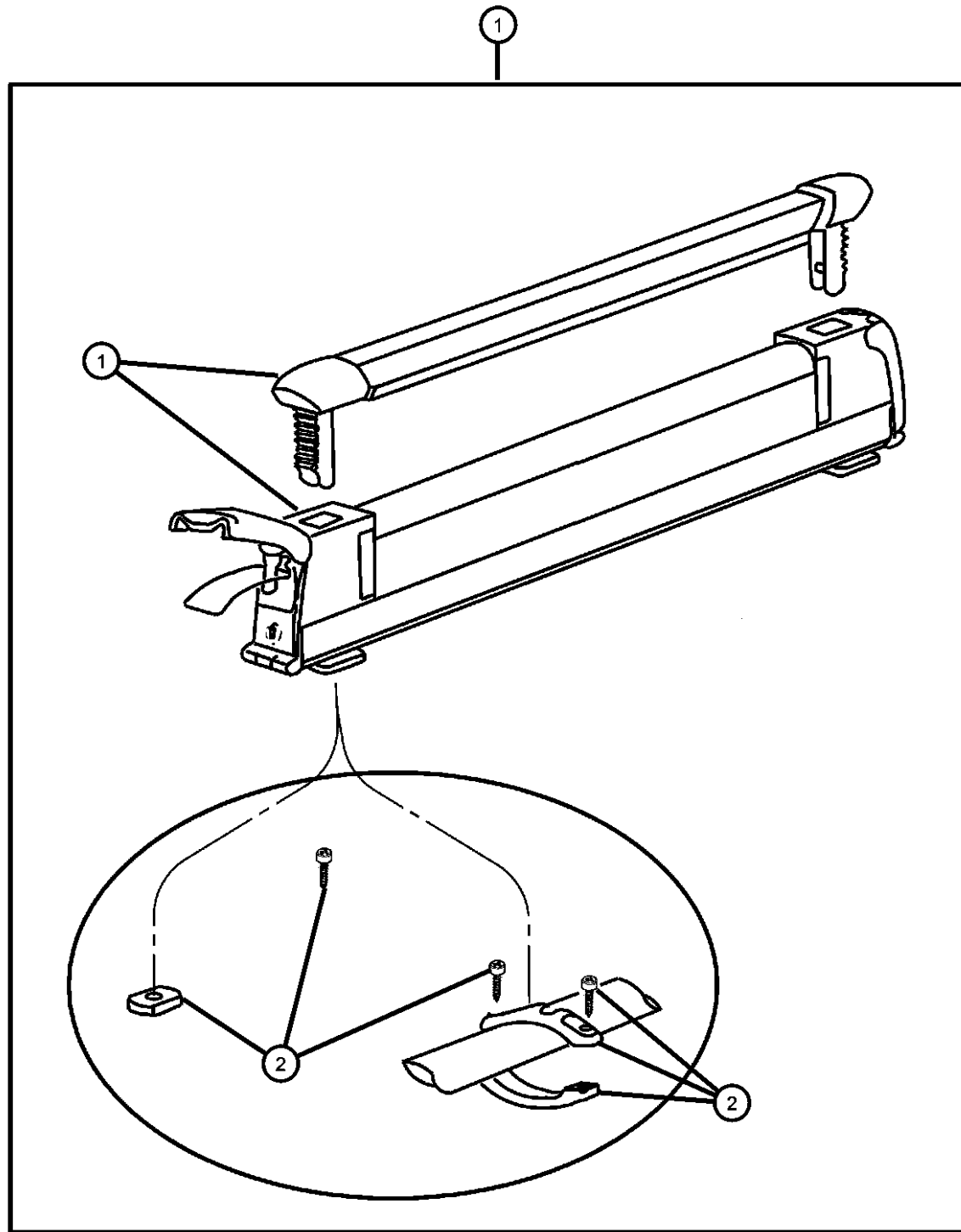
ITEM	PART NUMBER	QTY	LINE	SERIES	BODY	ENGINE	TRANS	TRIM	DESCRIPTION
1	82204101	1	1, 5		74				CARRIER KIT, Ski - 4 Pair
2	04797617	1	1, 5		74				PAD, Crossbar, Cut to Size
3	04797618	1	1, 5		74				HARDWARE KIT, Accessory, Contains: 6-Socket Head Screws, 6 -Hex Nuts,4-Pivot & Latch Adapters and 1-Allen Wrench
4	04796058	1	1, 5		74				LOCK KIT, Carrier, 2-Lock Assemblies with Keys and Clips

**DURANGO (DN)**

SERIES	LINE	BODY	ENGINE	TRANSMISSION
L = DURANGO	5 = Lt. Duty DODGE 4WD 1 = Lt. Duty DODGE 2WD	74 = SPORT UTILITY 4-DR	EML = ENGINE - 5.9L V8 MPI EVA = ENGINE- 4.7L V8 MPI EM0 = ENGINES - ALL 5.9L 8 CYL GAS EVO = ENGINES - ALL 4.7L GAS	DG4 = TRANSMISSION-MULTI-SPEED AUTO, 45RFE DGT = TRANSMISSION - 4-SPD. AUTOMATIC,46RE DG4 = TRANSMISSION-MULTI-SPEED AUTO, 45RFE

AR = use ase required - = Non illustrated part

Carrier Kit - Ski (Six Pair)  
Figure 1-237



ITEM	PART NUMBER	QTY	LINE	SERIES	BODY	ENGINE	TRANS	TRIM	DESCRIPTION
1	82205994	1							CARRIER KIT, Ski
2	05019362AA	1							HARDWARE KIT, Mounting, Contains: T-Slot Anchor, Cross Bar Adapter and Bolts

**DURANGO (DN)**

SERIES	LINE	BODY	ENGINE	TRANSMISSION
L = DURANGO	5 = Lt. Duty DODGE 4WD 1 = Lt. Duty DODGE 2WD	74 = SPORT UTILITY 4-DR	EML = ENGINE - 5.9L V8 MPI EVA = ENGINE- 4.7L V8 MPI EM0 = ENGINES - ALL 5.9L 8 CYL GAS EVO = ENGINES - ALL 4.7L GAS	DG4 = TRANSMISSION-MULTI- SPEED AUTO, 45RFE DGT = TRANSMISSION - 4-SPD. AUTOMATIC, 46RE DG4 = TRANSMISSION-MULTI- SPEED AUTO, 45RFE

AR = use ase required - = Non illustrated part



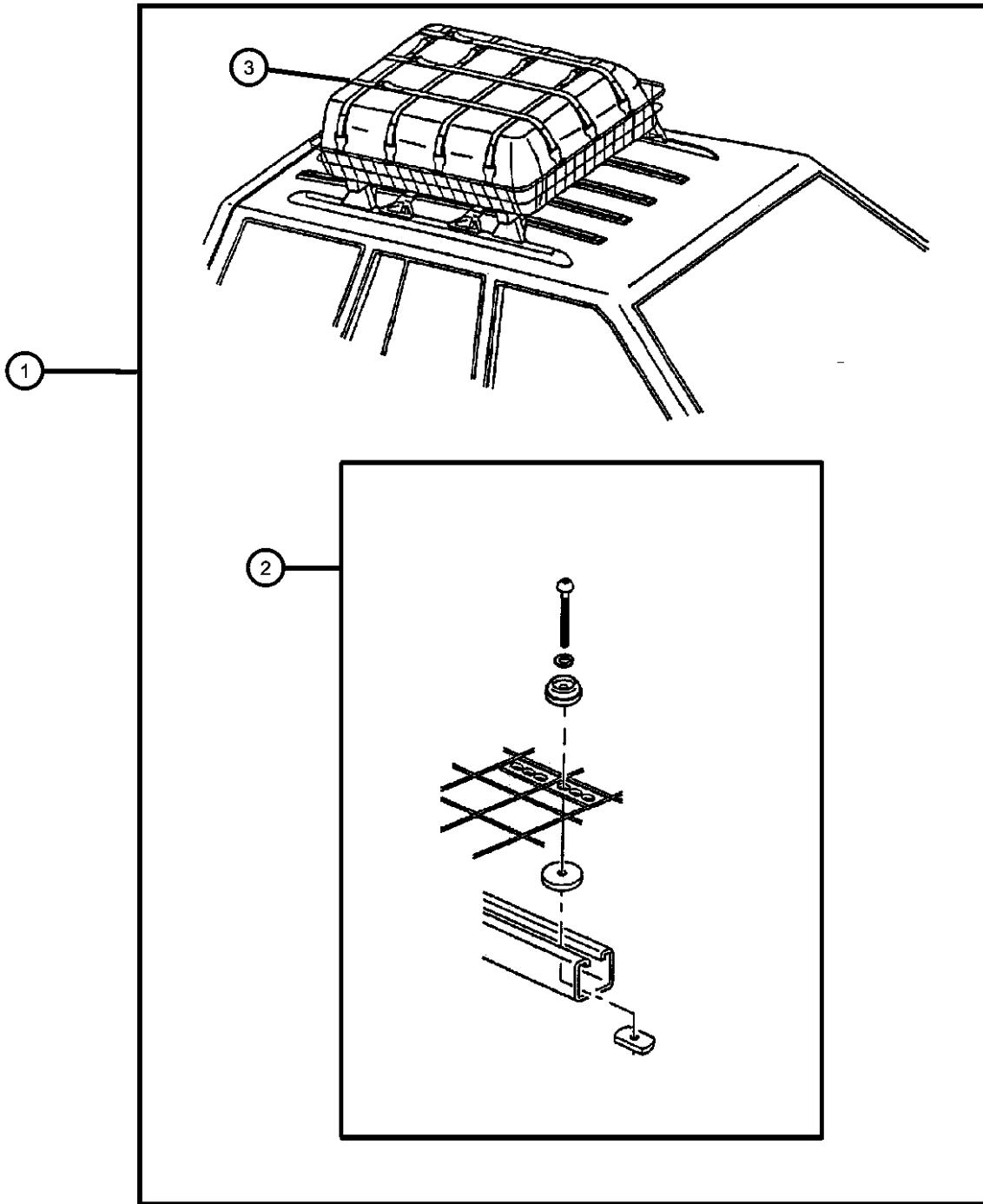
**Carrier Kit - Basket**  
**Figure 1-240**

ITEM	PART NUMBER	QTY	LINE	SERIES	BODY	ENGINE	TRANS	TRIM	DESCRIPTION
------	-------------	-----	------	--------	------	--------	-------	------	-------------

NOTE: Use only with Sport Utility Bar

NOTE; Hardware Kit also contained in Carrier Kit.

1	82204697	1	1, 5		74				CARRIER KIT, Basket
2	05016389AA	1	1, 5		74				HARDWARE KIT, Accessory
3	82204857	1	1, 5		74				NET KIT, Cargo



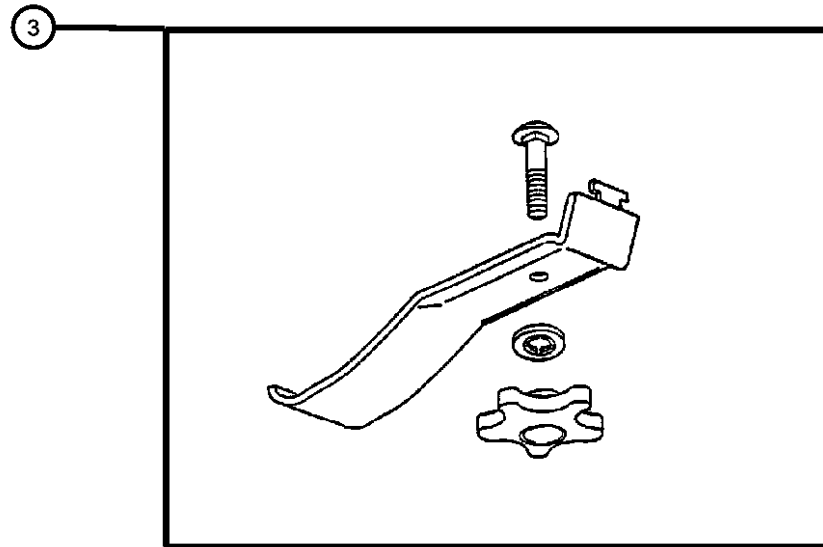
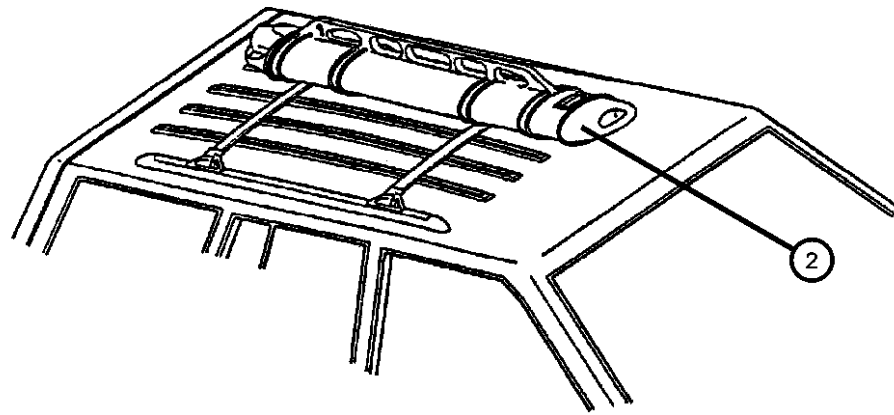
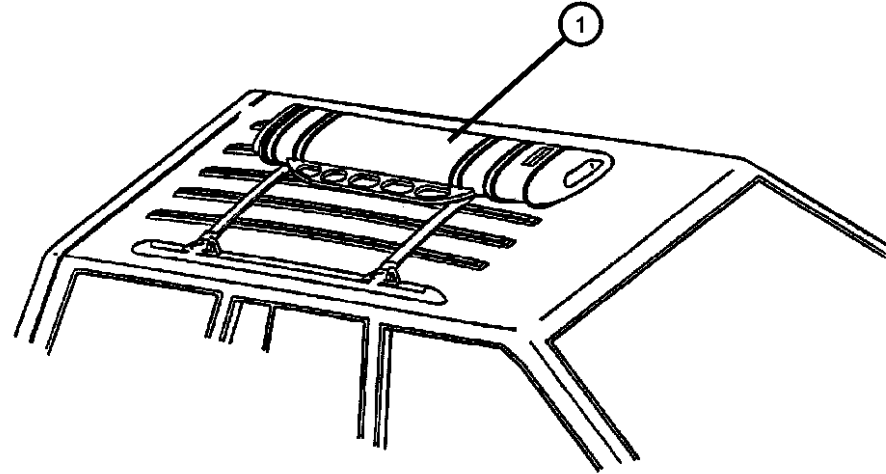
**DURANGO (DN)**

SERIES	LINE	BODY	ENGINE	TRANSMISSION
L = DURANGO	5 = Lt. Duty DODGE 4WD 1 = Lt. Duty DODGE 2WD	74 = SPORT UTILITY 4-DR	EML = ENGINE - 5.9L V8 MPI EVA = ENGINE- 4.7L V8 MPI EM0 = ENGINES - ALL 5.9L 8 CYL GAS EVO = ENGINES - ALL 4.7L GAS	DG4 = TRANSMISSION-MULTI-SPEED AUTO, 45RFE DGT = TRANSMISSION - 4-SPD. AUTOMATIC, 46RE DG4 = TRANSMISSION-MULTI-SPEED AUTO, 45RFE

AR = use ase required - = Non illustrated part

**Carrier Kit - Multipurpose**  
**Figure 1-250**

ITEM	PART NUMBER	QTY	LINE	SERIES	BODY	ENGINE	TRANS	TRIM	DESCRIPTION
------	-------------	-----	------	--------	------	--------	-------	------	-------------



NOTE: Use only with Sport Utility Bar  
 NOTE: Carrier Kits - Multipurpose: Skis or Fishing Pole  
 Snow Board or Surfboard  
 NOTE: Hardware Kit also contained in Carrier Kit

1	82204699	1	1, 5		74				CARRIER KIT, Wind/Surf Boards
2	82204698	1	1, 5		74				CARRIER KIT, Ski
3	05016509AA	1	1, 5		74				HARDWARE KIT, Accessory
-4	05016617AA	1	1, 5		74				LOCK KIT, Carrier

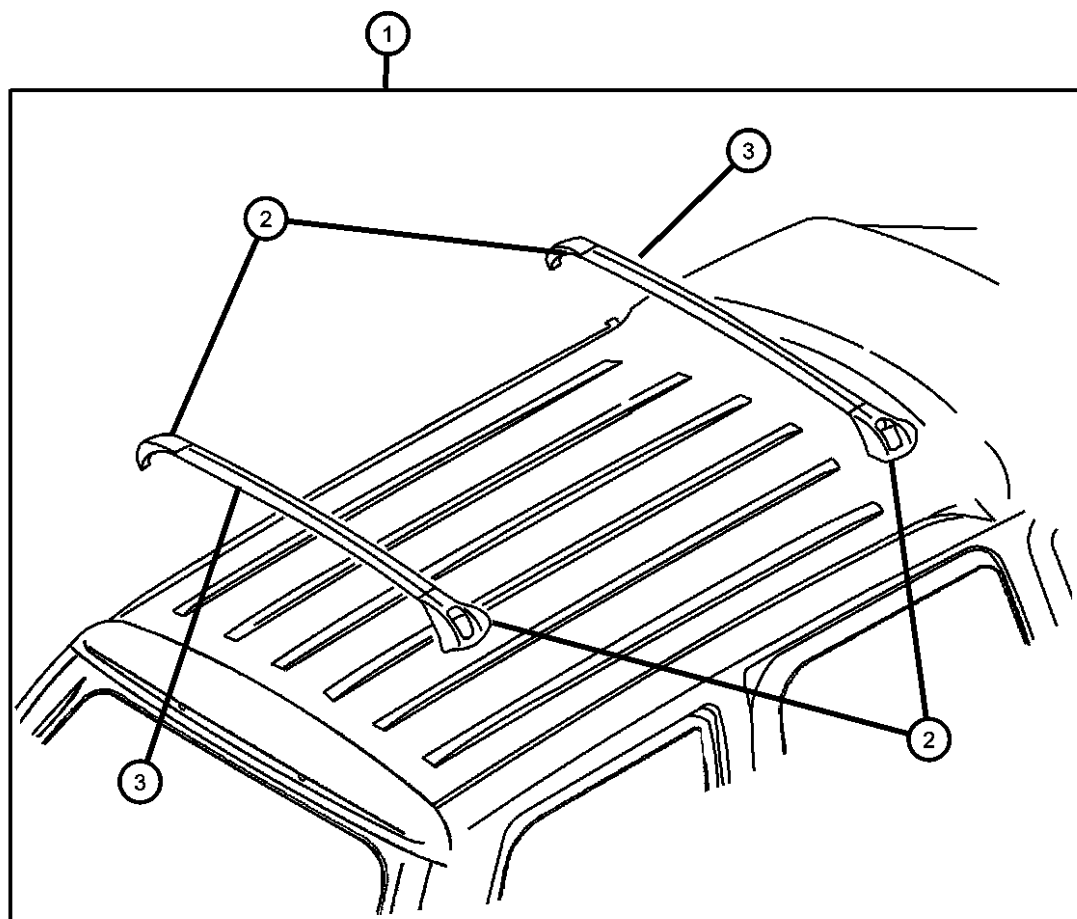
**DURANGO (DN)**

SERIES	LINE	BODY	ENGINE	TRANSMISSION
L = DURANGO	5 = Lt. Duty DODGE 4WD 1 = Lt. Duty DODGE 2WD	74 = SPORT UTILITY 4-DR	EML = ENGINE - 5.9L V8 MPI EVA = ENGINE- 4.7L V8 MPI EM0 = ENGINES - ALL 5.9L 8 CYL GAS EVO = ENGINES - ALL 4.7L GAS	DG4 = TRANSMISSION-MULTI- SPEED AUTO, 45RFE DGT = TRANSMISSION - 4-SPD. AUTOMATIC, 46RE DG4 = TRANSMISSION-MULTI- SPEED AUTO, 45RFE

AR = use ase required - = Non illustrated part

Luggage Rack Package - Roof  
Figure 1-260

ITEM	PART NUMBER	QTY	LINE	SERIES	BODY	ENGINE	TRANS	TRIM	DESCRIPTION
1	82205928	1	1, 5		74				LUGGAGE RACK PACKAGE, Roof
2									STANCHION, Luggage Rack Cross Bar
	05003982AA	1	1, 5		74				Right
	05003983AA	1	1, 5		74				Left
3	05003984AA	1	1, 5		74				CROSS RAIL, Roof Rack, Black



**DURANGO (DN)**

SERIES	LINE	BODY	ENGINE	TRANSMISSION
L = DURANGO	5 = Lt. Duty DODGE 4WD 1 = Lt. Duty DODGE 2WD	74 = SPORT UTILITY 4-DR	EML = ENGINE - 5.9L V8 MPI EVA = ENGINE- 4.7L V8 MPI EM0 = ENGINES - ALL 5.9L 8 CYL GAS EVO = ENGINES - ALL 4.7L GAS	DG4 = TRANSMISSION-MULTI- SPEED AUTO, 45RFE DGT = TRANSMISSION - 4-SPD. AUTOMATIC, 46RE DG4 = TRANSMISSION-MULTI- SPEED AUTO, 45RFE

AR = use ase required - = Non illustrated part

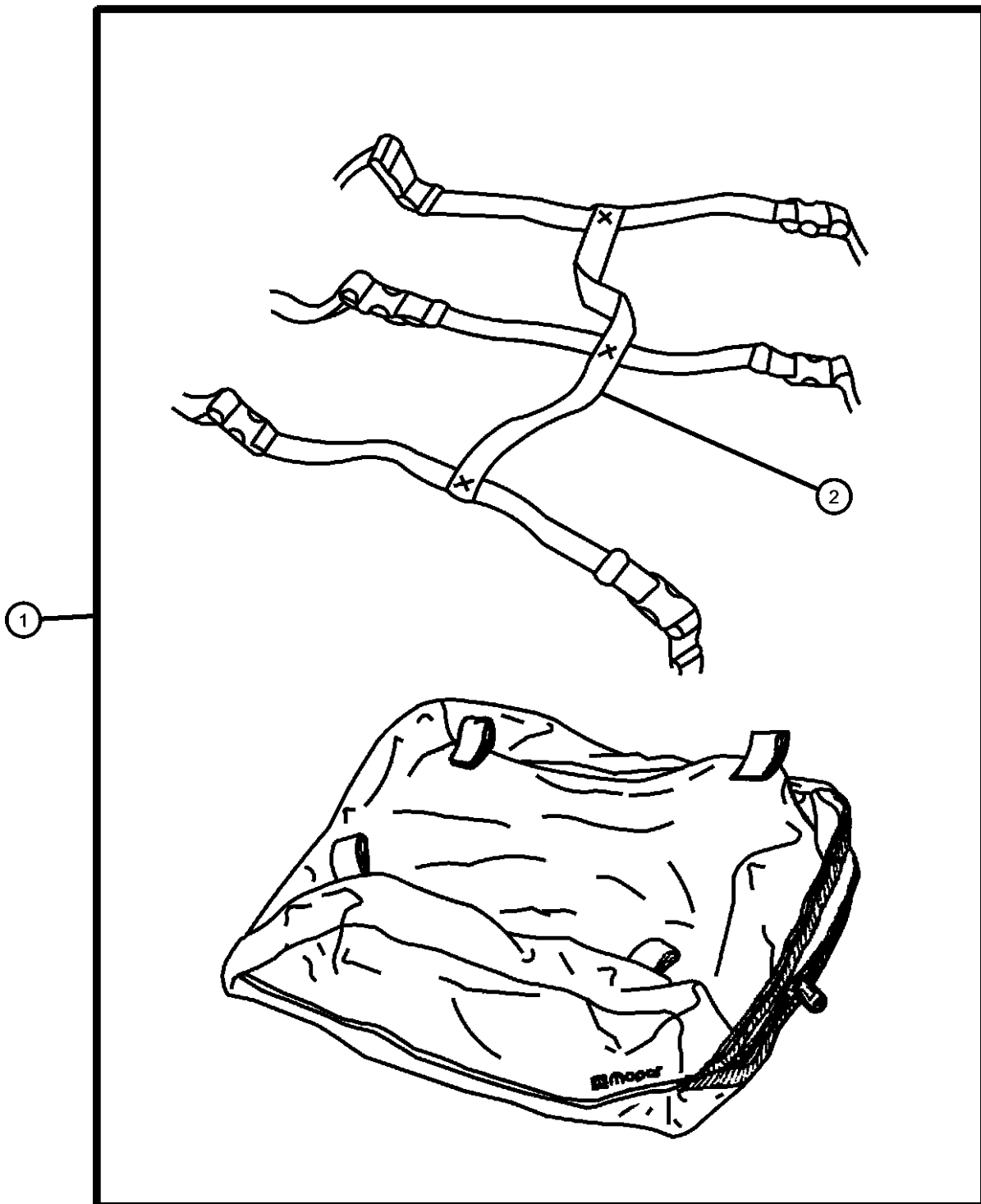
2001 DN

Luggage Carrier - Roof Mount  
Figure 1-264

ITEM	PART NUMBER	QTY	LINE	SERIES	BODY	ENGINE	TRANS	TRIM	DESCRIPTION
------	-------------	-----	------	--------	------	--------	-------	------	-------------

NOTE: Requires Roof Rack.

1	82204344	1	1, 5		74				CARRIER KIT, Luggage
2	05066332AA	1	1, 5		74				STRAP KIT, Luggage Carrier



DURANGO (DN)

SERIES	LINE	BODY	ENGINE	TRANSMISSION
L = DURANGO	5 = Lt. Duty DODGE 4WD 1 = Lt. Duty DODGE 2WD	74 = SPORT UTILITY 4-DR	EML = ENGINE - 5.9L V8 MPI EVA = ENGINE- 4.7L V8 MPI EM0 = ENGINES - ALL 5.9L 8 CYL GAS EVO = ENGINES - ALL 4.7L GAS	DG4 = TRANSMISSION-MULTI- SPEED AUTO, 45RFE DGT = TRANSMISSION - 4-SPD. AUTOMATIC, 46RE DG4 = TRANSMISSION-MULTI- SPEED AUTO, 45RFE

AR = use ase required - = Non illustrated part

2001 DN