

VIN PLATE DECODING INFORMATION

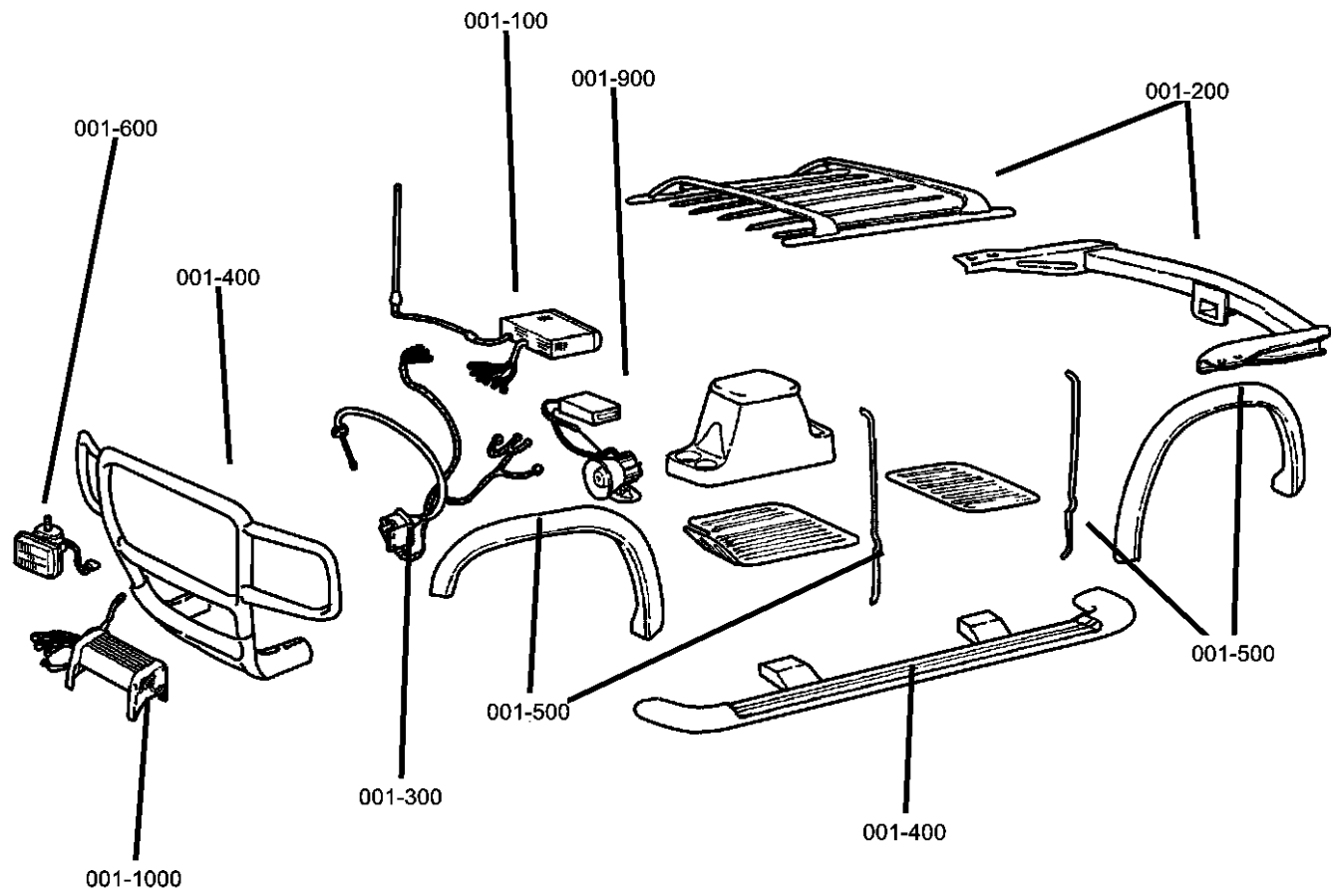
1	2	3	4	5	6	7	8	9	10	11	12 thru 17
Country	Make	Vehicle Type	Other	Line	Series	Body Style	Engine	Check Digit	Model Year	Assy. Plant	Sequence No.

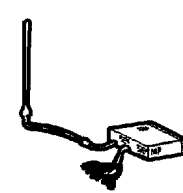
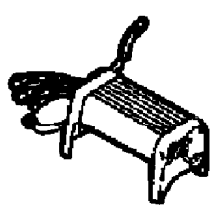
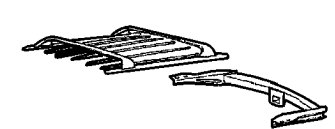

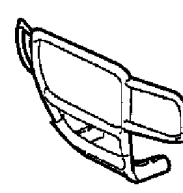
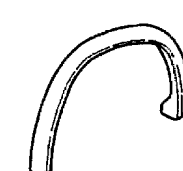
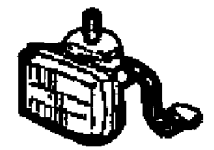
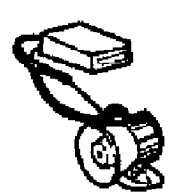
The following table interprets the VIN Plate position shown above.

Position	Interpretation	Codes = Description
1	Country of Origin	2 = Built in U.S by DaimlerChrysler
2	Assembler	B = Dodge
3	Vehicle Type	7 = Truck
4	GVWR & Pass. Safety	D = 0-1.360 kg (0-3.000 lbs) E = 1.361-1.814 kg (3.001-4.000 lbs) F = 1.815-2.267 kg (4.001-5.000 lbs) G = 2.268-2721 kg (5.001-6.000 lbs) H = 2.722-3.175 kg (6.001-7.000 lbs) J = 3.176-3.628 kg (7.001-8.000 lbs) K = 3.629-4.082 kg (8.001-9000 lbs) L = 4.083-4535 kg (9.001-10.000 lbs) M = 4.536-6.350 kg (10.001-14.000 lbs)
5	Vehicle Line	R = Durango 4x2 S = Durango 4x4
6	Series	2 = Durango
7	Body Style	8 = Sport Utility 4 Door
8	Engine	N = 4.7L 8 Cyl. Gasoline (MPI) (EVA) Y = 5.2L 8 Cyl. (ELF) Z = 5.9L 8 Cyl. Gasoline (MPI) (EML)
9	Check Digit	0 = Check Digit 0 = Check Digit
10	Model Year	Y = 2000
11	Assembly Plant	F = Newark Assembly
12 thru 17	Vehicle Build Sequence	Model Year Assembly Sequence

Group - 1

Component Parts for Mopar Accessories

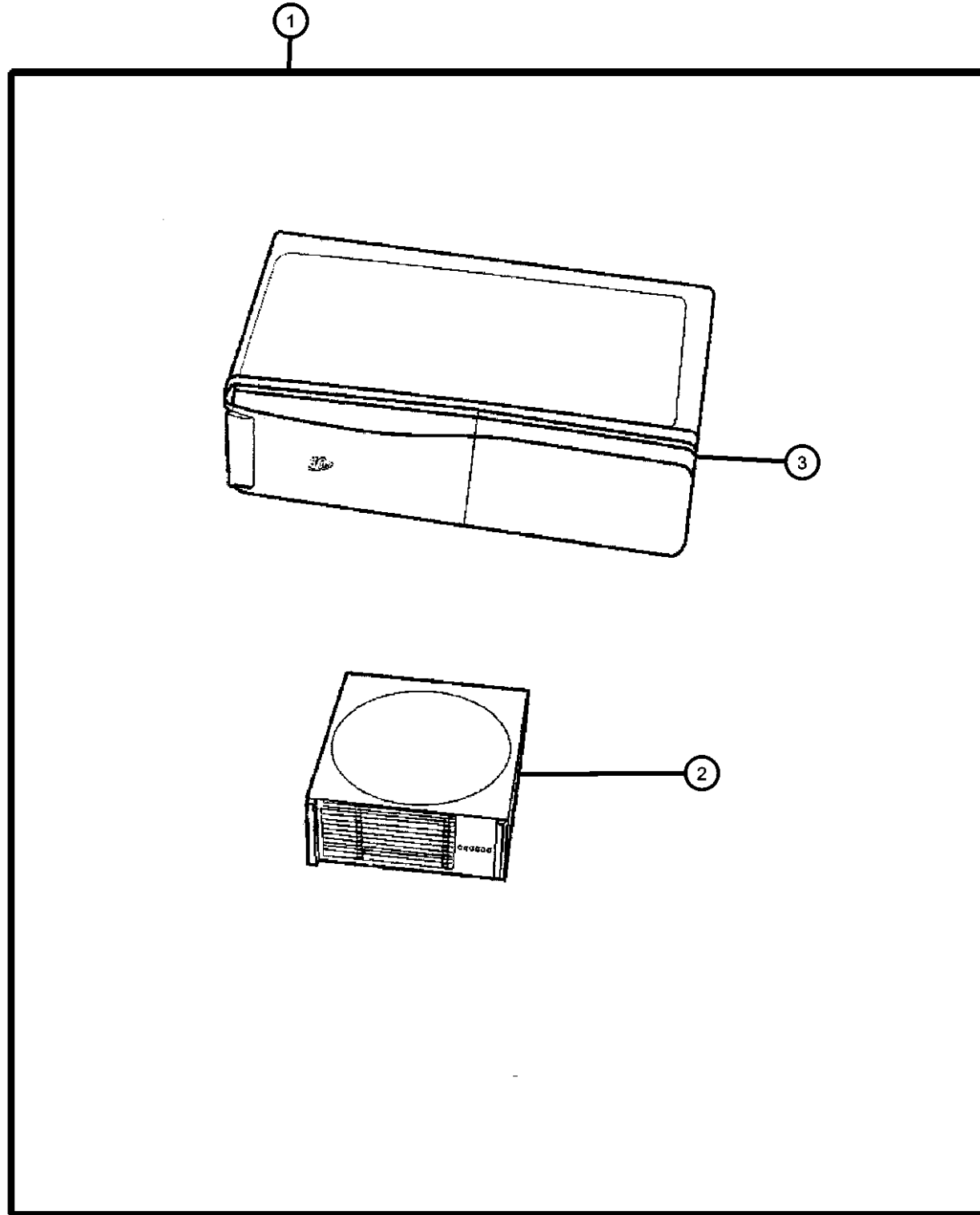


<p>001-100 Audio & Electronics</p> 	<p>001-1000 4 - Wheeling & Off Road</p> 	<p>001-200 Carriers & Cargo Hauling</p> 	<p>001-300 Driving Convenience</p> 
<p>001-400 Exterior Appearance</p> 	<p>001-500 Exterior Protection</p> 	<p>001-600 Fog Lights & Electrical</p> 	<p>001-900 Security</p> 

Group - 1 Component Parts for Mopar Accessories

Illustration Title	Group-Fig. No.
Audio & Electronics	
Player Kit - CD Changer - 6-Disc	Fig. 1 - 110
Player Kit - CD Changer - 12 Disc	Fig. 1 - 112
Install Kit - CD Changer.....	Fig. 1 - 130
Install Kit - CD Changer - Trunk.....	Fig. 1 - 132
Carriers & Cargo Hauling	
Bike Carrier - Hitch Mount	Fig. 1 - 210
Bike Carrier, Roof Mount	Fig. 1 - 212
Bike Carrier - Roof Mount	Fig. 1 - 214
Carrier Kit - Canoe	Fig. 1 - 220
Carrier Kit - Water Sports.....	Fig. 1 - 222
Carrier Kit - Ski	Fig. 1 - 230
Carrier Kit - Ski (Two Pair).....	Fig. 1 - 232
Carrier Kit - Ski (Four Pair).....	Fig. 1 - 234
Carrier Kit - Ski (Six Pair).....	Fig. 1 - 236
Carrier Kit - Basket.....	Fig. 1 - 240
Carrier Kit - Mulitpurpose	Fig. 1 - 250
Luggage Rack Package - Roof.....	Fig. 1 - 260
Luggage Carrier - Roof Mount	Fig. 1 - 264
Cooler Kit - Transmission Oil.....	Fig. 1 - 270
Wiring Kit - Trailer Tow.....	Fig. 1 - 292
Driving Convenience	
Speed Control Kit	Fig. 1 - 310
Mounting Kit- Cellular Phone.....	Fig. 1 - 330
Exterior Appearance	
Wheel Lip Moldings	Fig. 1 - 410
Brush Guard	Fig. 1 - 420
Grille Guard.....	Fig. 1 - 422
Running Boards	Fig. 1 - 430
Sidestep Kit - Molded	Fig. 1 - 432
Sidestep Kit - Tubular	Fig. 1 - 434
Exterior Protection	
Shield Kit - Air Front.....	Fig. 1 - 510
Fog Lights & Electrical	
Heater Package - Engine Block.....	Fig. 1 - 610
Installation Kit - Fog Lamp.....	Fig. 1 - 630
Security	
Alarm, EVS II Security Plus	Fig. 1 - 910
4 - Wheeling & Off Road	
Winch Kit - Power	Fig. 1 - 1010
Skid Plate - Front and Transfer Case.....	Fig. 1 - 1020

Player Kit - CD Changer - 6-Disc
Figure 1-110



ITEM	PART NUMBER	QTY	LINE	SERIES	BODY	ENGINE	TRANS	TRIM	DESCRIPTION
------	-------------	-----	------	--------	------	--------	-------	------	-------------

NOTE; Use with CD-Controlled radios. For radios without CD Changer controls, use FM-Modulator Kit 82202292

1	82202700	1							PLAYER KIT, CD Changer - 6 Disc
2	04797433	1	1, 5		74				MAGAZINE, CD Changer
3	04797433	1							CHANGER, CD, Serviced in Kit, (NOT SERVICED)

DURANGO (DN)

SERIES LINE
L = Durango 5 = 4WD
 1 = 2WD

BODY
74 = SPORT UTILITY 4-DR

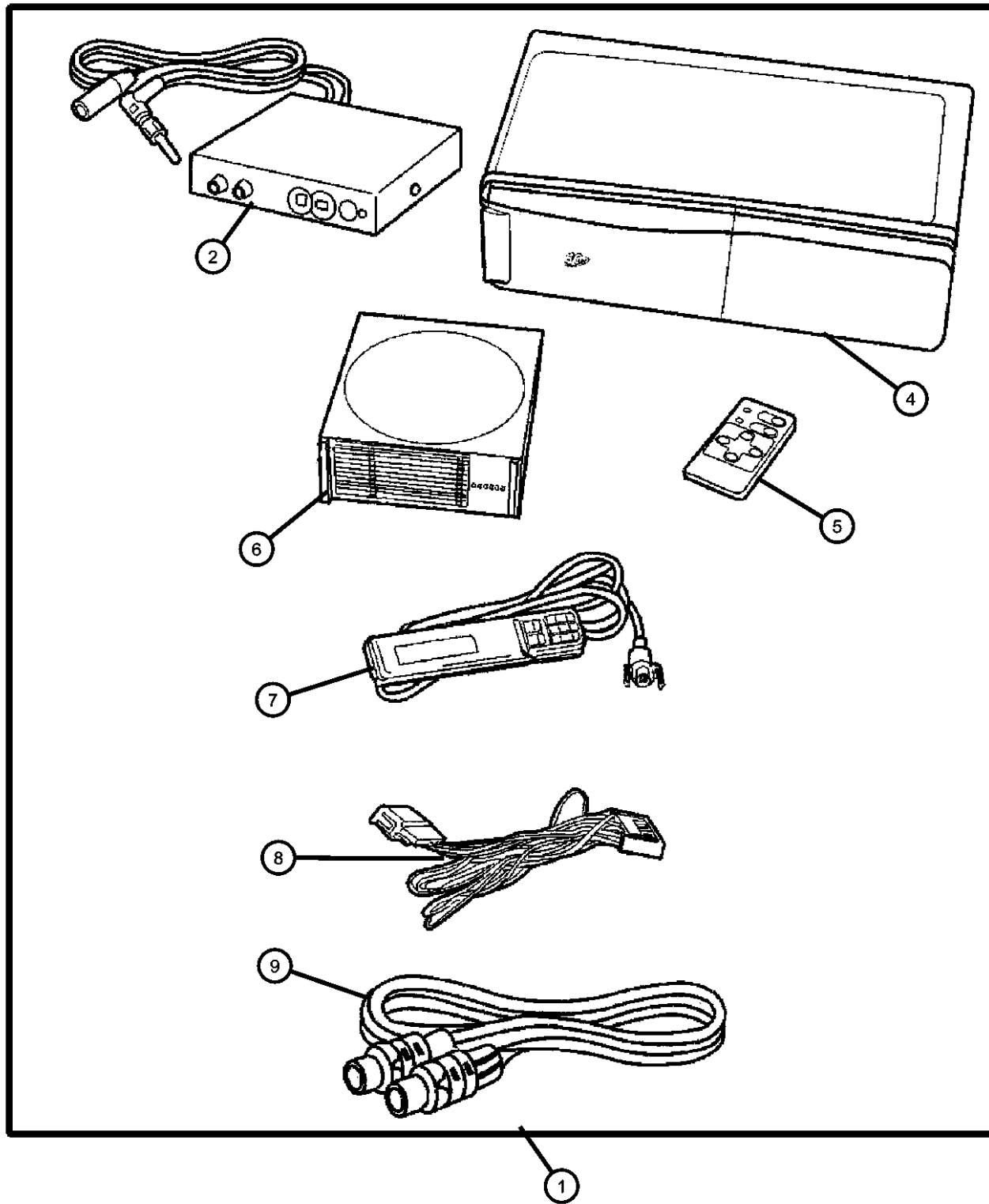
ENGINE
ELF = ENGINE - 5.2L V8 MPI
EML = ENGINE - 5.9L V8 MPI
EVA = ENGINE- 4.7L V8 MPI

TRANSMISSION
DG4 = TRANSMISSION-MULTI-SPEED AUTO, 45RFE
DGT = TRANSMISSION - 4-SPD. AUTOMATIC, 46RE
DGW = TRANSMISSION - 4-SPD. AUTOMATIC, 44RE
DGO = ALL AUTOMATIC TRANSMISSIONS

AR = use ase required - = Non illustrated part

2000 DN

Player Kit - CD Changer - 12 Disc
Figure 1-112



ITEM	PART NUMBER	QTY	LINE	SERIES	BODY	ENGINE	TRANS	TRIM	DESCRIPTION
NOTE: For radio without CD controls. Pentastar Logo, Includes RF Modulator, Power Cord, Din Cord, Hand Held and IR Remote Controller and									
1	82204730	1	1, 5		74				PLAYER KIT, CD Changer - 12 Disc
2	05013804AA	1	1, 5		74				MODULATOR, FM
-3	05013800AA	1	1, 5		74				HARDWARE KIT, Mounting
4	05013806AA	1	1, 5		74				CHANGER, CD
5	05013802AA	1	1, 5		74				CONTROLLER, CD Wireless
6	05013805AA	1	1, 5		74				MAGAZINE, CD Changer
7	05013803AA	1	1, 5		74				CONTROLLER, CD Wired
8	04465117	1	1, 5		74				ADAPTOR, A/C
9	05013801AA	1	1, 5		74				DIN CORD, CD Player

DURANGO (DN)

SERIES LINE
L = Durango 5 = 4WD
 1 = 2WD

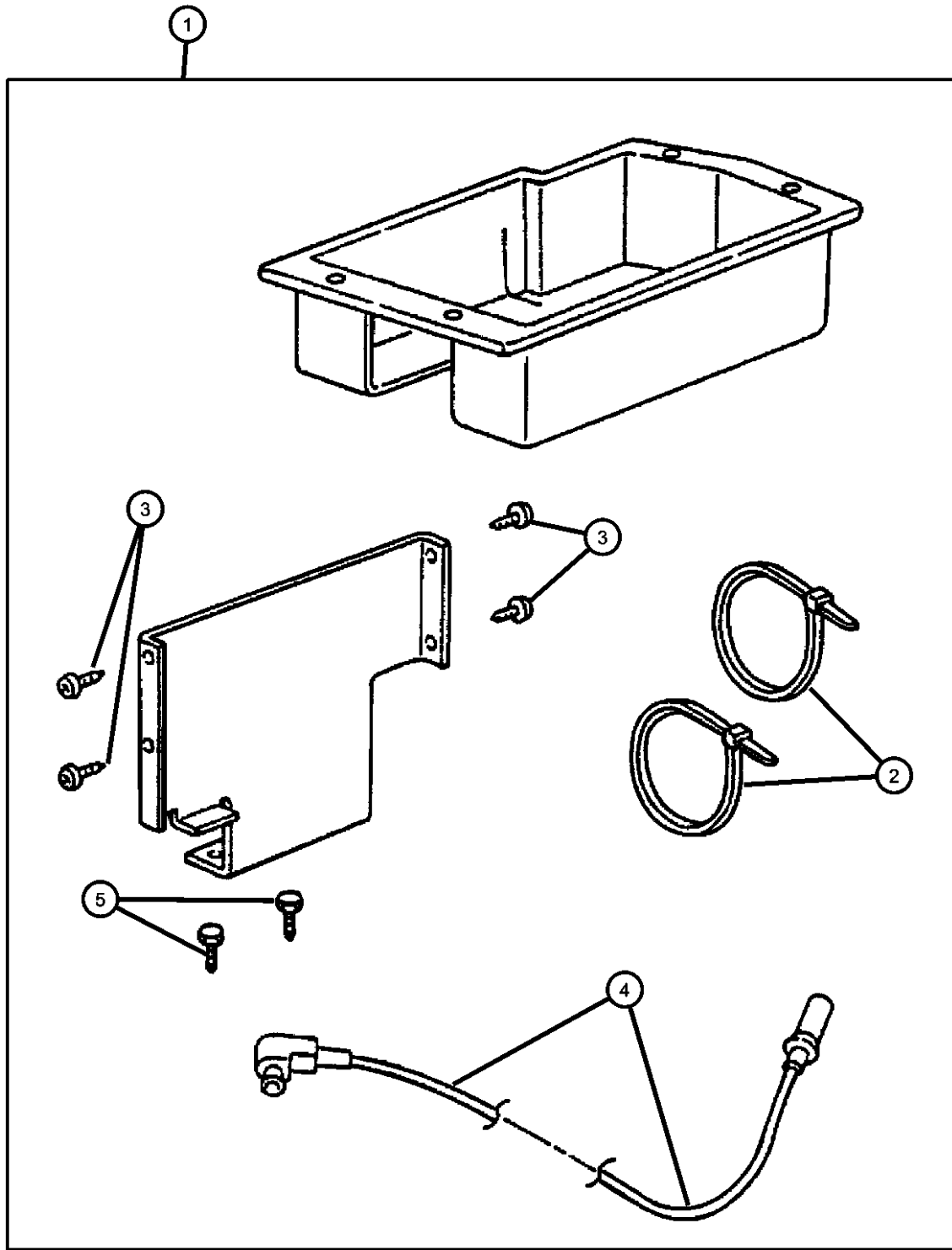
BODY
74 = SPORT UTILITY 4-DR

ENGINE TRANSMISSION
ELF = ENGINE - 5.2L V8 MPI DG4 = TRANSMISSION-MULTI-
EML = ENGINE - 5.9L V8 MPI SPEED AUTO, 45RFE
EVA = ENGINE- 4.7L V8 MPI DGT = TRANSMISSION - 4-SPD.
AUTOMATIC, 46RE
DGW = TRANSMISSION - 4-SPD.
AUTOMATIC, 44RE
DGO = ALL AUTOMATIC
TRANSMISSIONS

AR = use ase required - = Non illustrated part

2000 DN

**Install Kit - CD Changer
Figure 1-130**



ITEM	PART NUMBER	QTY	LINE	SERIES	BODY	ENGINE	TRANS	TRIM	DESCRIPTION
------	-------------	-----	------	--------	------	--------	-------	------	-------------

NOTE: Used for Player Kit 82202700.

1	82203665	1	1, 5		74				INSTALL KIT, CD Changer - Console, Contains: Console Filler Support, CD Mounting Bracket & 4-M4X5 Pan Head , Along with Items 2,3,&4.
2	04641780	1	1, 5		74				STRAP, Tie, Quantity of 2
3	04641780	1							SCREW, Pan Head, M4x5, (NOT SERVICED)
4	04865035AA	1	1, 5		74				CABLE, CD Changer
5	00154621	1	1, 5		74				SCREW, Self Drilling, .190-16x5.00

DURANGO (DN)

SERIES LINE
L = Durango 5 = 4WD
 1 = 2WD

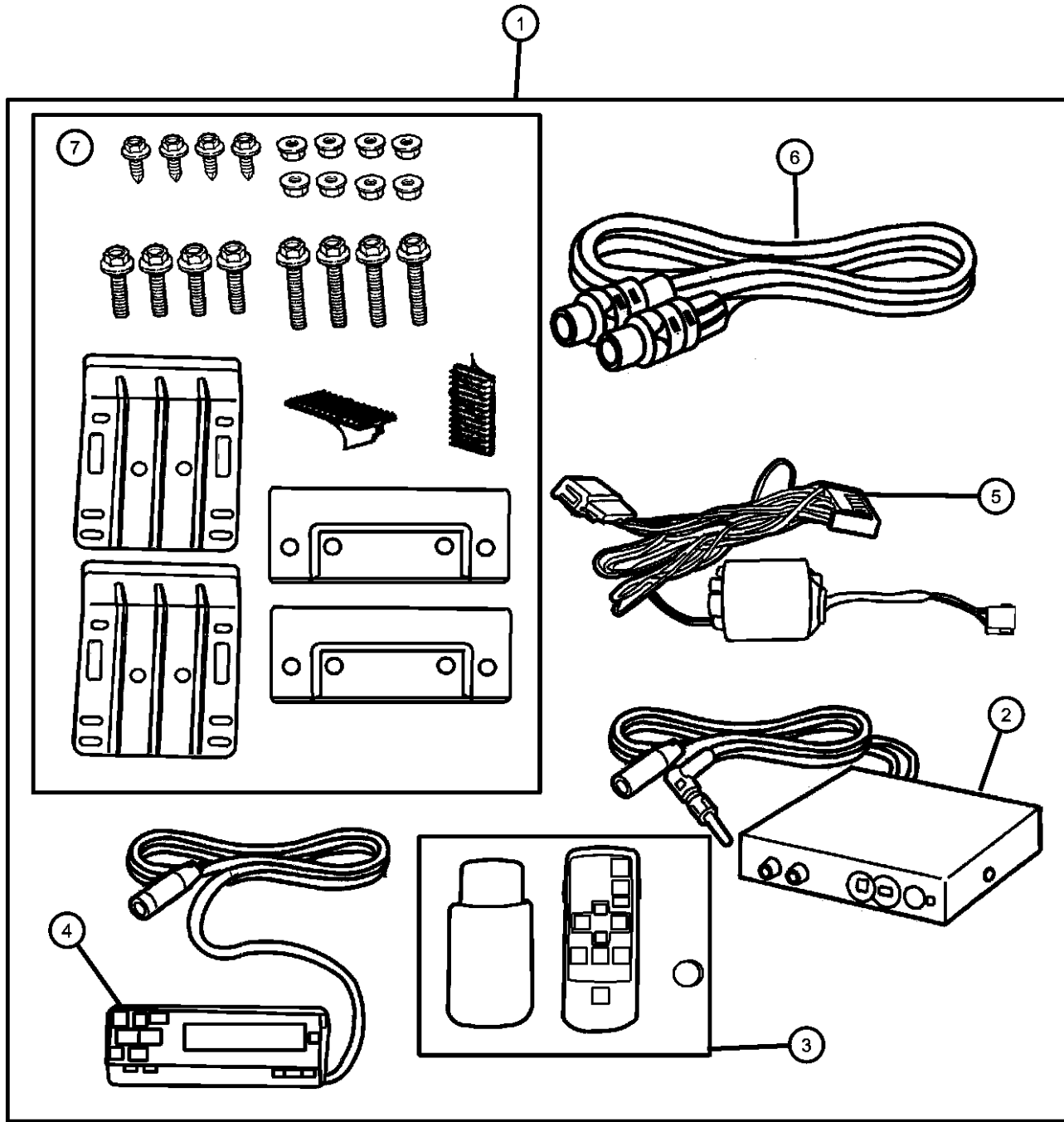
BODY
74 = SPORT UTILITY 4-DR

ENGINE
ELF = ENGINE - 5.2L V8 MPI
EML = ENGINE - 5.9L V8 MPI
EVA = ENGINE- 4.7L V8 MPI

TRANSMISSION
DG4 = TRANSMISSION-MULTI-SPEED AUTO, 45RFE
DGT = TRANSMISSION - 4-SPD. AUTOMATIC, 46RE
DGW = TRANSMISSION - 4-SPD. AUTOMATIC, 44RE
DGO = ALL AUTOMATIC TRANSMISSIONS

AR = use ase required - = Non illustrated part

Install Kit - CD Changer - Trunk
Figure 1-132



ITEM	PART NUMBER	QTY	LINE	SERIES	BODY	ENGINE	TRANS	TRIM	DESCRIPTION
------	-------------	-----	------	--------	------	--------	-------	------	-------------

NOTE: FM Modulator, CD Controller, wired and Mounting Hardware Kit are serviced in the Install Kit only.

1	82202292	1	1, 5		74				INSTALL KIT, CD Changer - Trunk
2	82202292	1							MODULATOR, FM Changer, (NOT SERVICED)
3	05017217AA	1	1, 5		74				CONTROLLER, CD Wireless
4	05017217AA	1							CONTROLLER, CD Wired, (NOT SERVICED)
5	04465117	1	1, 5		74				ADAPTOR, A/C
6	04465113	1	1, 5		74				CABLE, Din
7	04465113	1							HARDWARE KIT, (NOT SERVICED)

DURANGO (DN)

SERIES LINE
L = Durango 5 = 4WD
 1 = 2WD

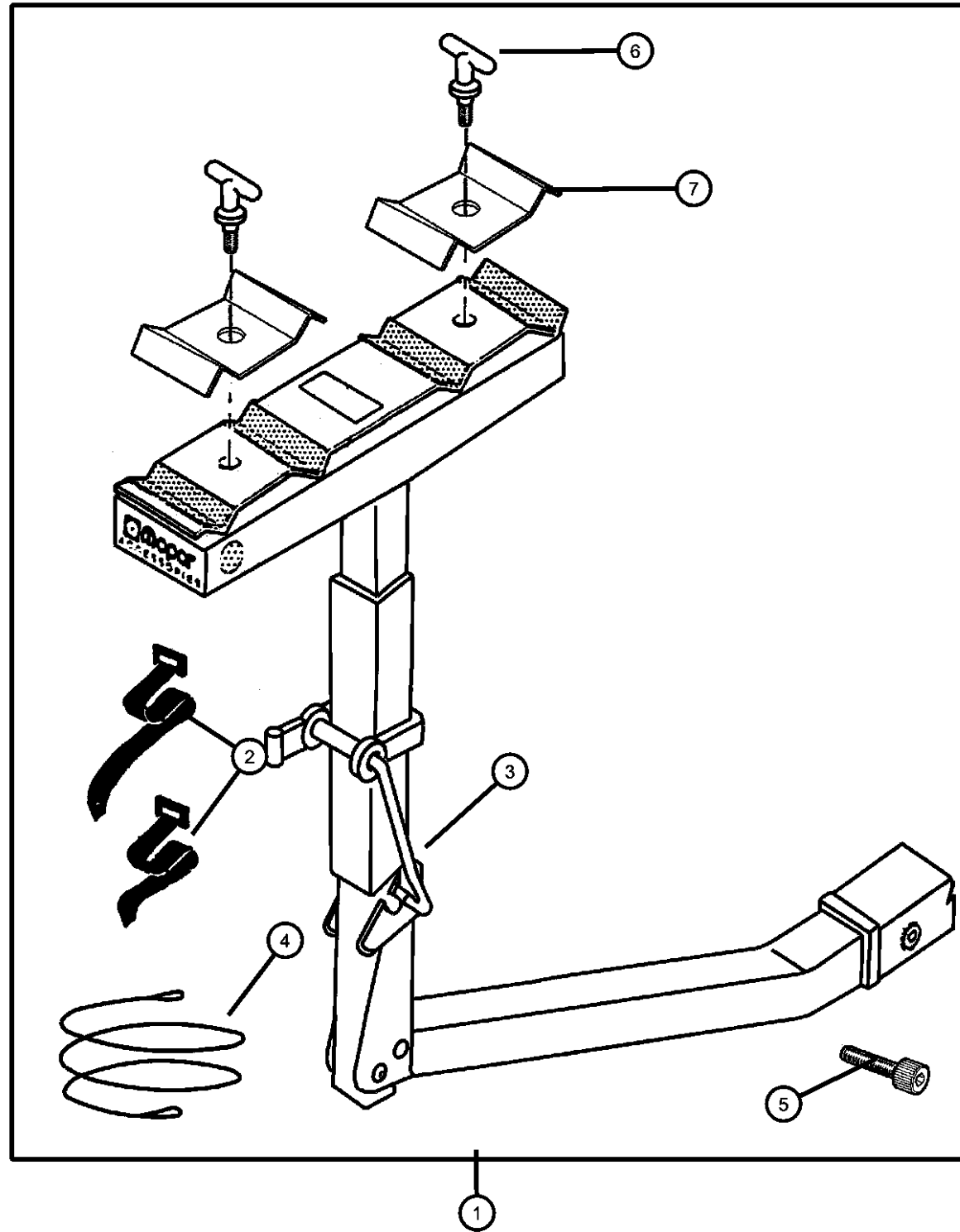
BODY
74 = SPORT UTILITY 4-DR

ENGINE TRANSMISSION
ELF = ENGINE - 5.2L V8 MPI DG4 = TRANSMISSION-MULTI-
EML = ENGINE - 5.9L V8 MPI SPEED AUTO, 45RFE
EVA = ENGINE- 4.7L V8 MPI DGT = TRANSMISSION - 4-SPD.
 AUTOMATIC,46RE
 DGW = TRANSMISSION - 4-SPD.
 AUTOMATIC,44RE
 DGO = ALL AUTOMATIC
 TRANSMISSIONS

AR = use ase required - = Non illustrated part

2000 DN

Bike Carrier - Hitch Mount
Figure 1-210



ITEM	PART NUMBER	QTY	LINE	SERIES	BODY	ENGINE	TRANS	TRIM	DESCRIPTION
1									CARRIER KIT, Bike
	82204328	1	1, 5		74				Four Bike
	82204453	1	1, 5		74				Two Bike
2	04762880	1							STRAP KIT, Velcro, Consists of: 1 - Long and 1 - Short
3	05016775AA	1	1, 5		74				STRAP KIT, Bike Carrier Latch, Consists of: 2 - Rubber Straps
4	04762882	1							LOCK KIT, Bike Carrier Handle
5	05016776AA	1	1, 5		74				BOLT KIT, Security
6	05016610AA	1	1, 5		74				HARDWARE KIT, Accessory, T - Handle
7	05016657AA	1	1, 5		74				HARDWARE KIT, Accessory, Top Clamp - 82204328 uses 2

DURANGO (DN)

SERIES LINE
L = Durango 5 = 4WD
 1 = 2WD

BODY
74 = SPORT UTILITY 4-DR

ENGINE TRANSMISSION
ELF = ENGINE - 5.2L V8 MPI DG4 = TRANSMISSION-MULTI-
EML = ENGINE - 5.9L V8 MPI SPEED AUTO, 45RFE
EVA = ENGINE- 4.7L V8 MPI DGT = TRANSMISSION - 4-SPD.
 AUTOMATIC,46RE
 DGW = TRANSMISSION - 4-SPD.
 AUTOMATIC,44RE
 DGO = ALL AUTOMATIC
 TRANSMISSIONS

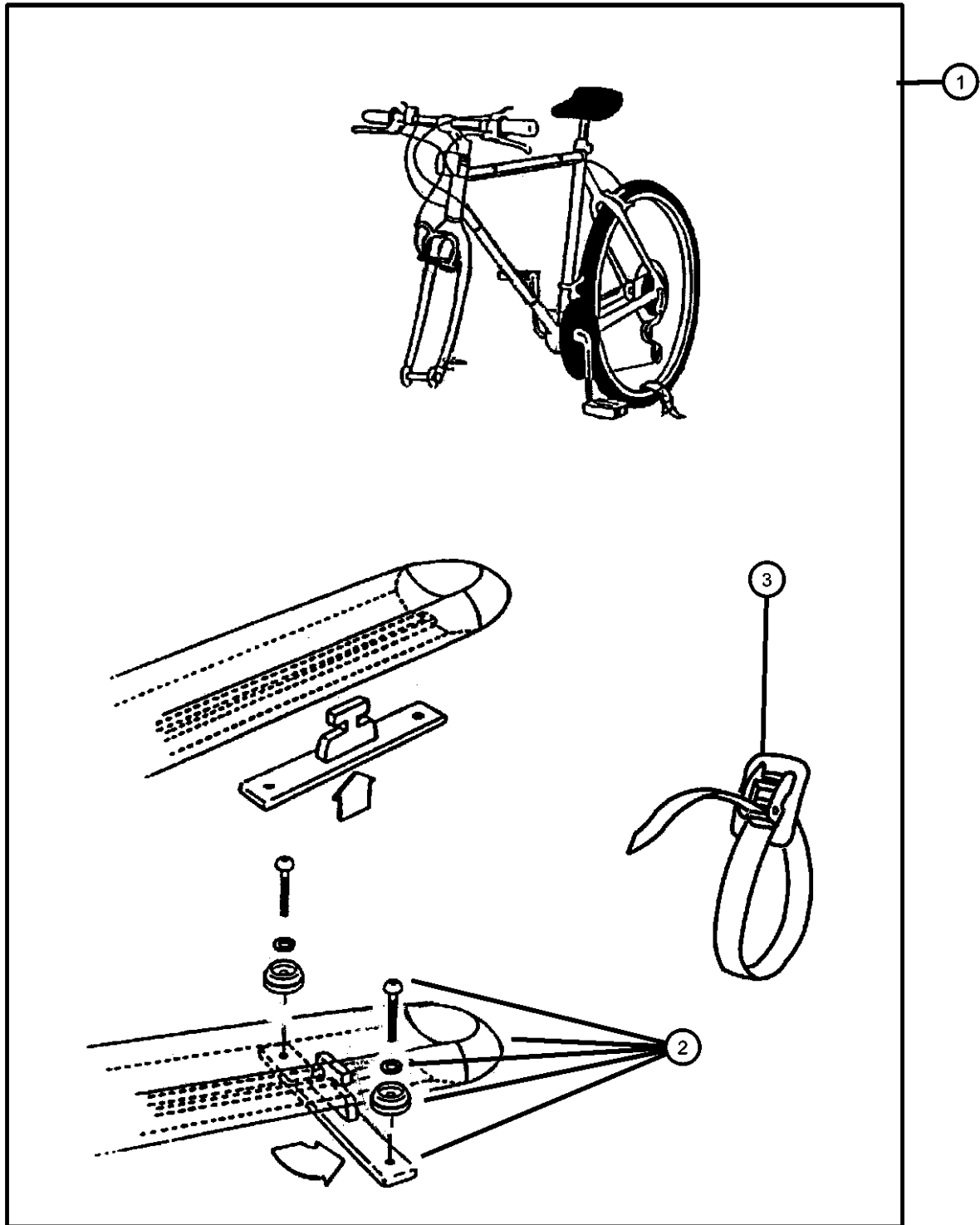
AR = use ase required - = Non illustrated part

Bike Carrier, Roof Mount
Figure 1-212

ITEM	PART NUMBER	QTY	LINE	SERIES	BODY	ENGINE	TRANS	TRIM	DESCRIPTION
------	-------------	-----	------	--------	------	--------	-------	------	-------------

NOTE: Hardware Kit also contained in Carrier Kit.

1	82300585	1	1, 5		74				CARRIER KIT, Bike, Fork - Mount
2	05016512AA	1							HARDWARE KIT, Accessory, Contains: 2 T-Slots, 4 Dome Washers, 4 M6x1x16mm screws and 2 M6 Lockwashers
3	05016513AA	1							STRAP, Cargo Tie Down, Contains: 2 Straps



DURANGO (DN)

SERIES LINE
L = Durango 5 = 4WD
 1 = 2WD

BODY
74 = SPORT UTILITY 4-DR

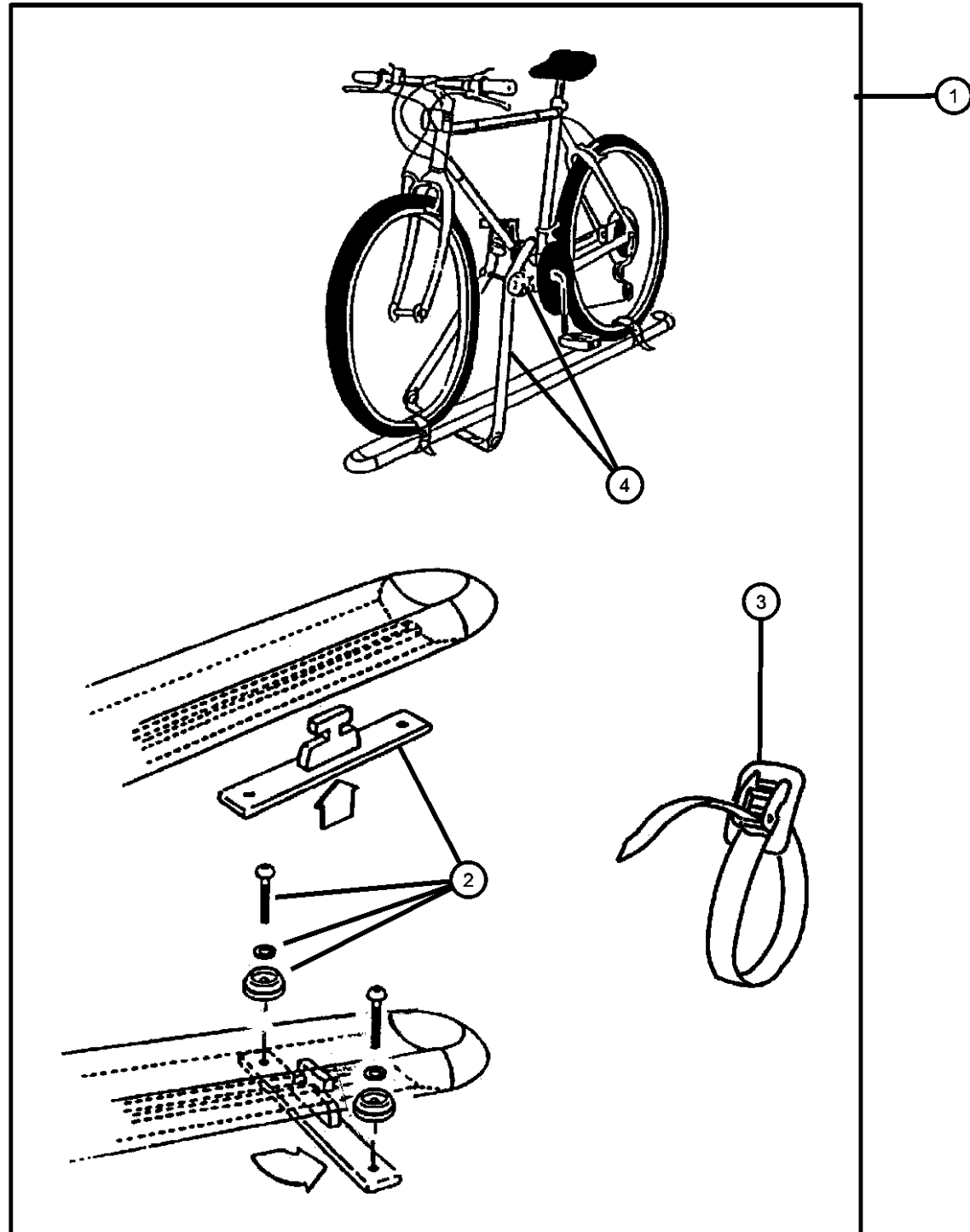
ENGINE TRANSMISSION
ELF = ENGINE - 5.2L V8 MPI DG4 = TRANSMISSION-MULTI-
EML = ENGINE - 5.9L V8 MPI SPEED AUTO, 45RFE
EVA = ENGINE- 4.7L V8 MPI DGT = TRANSMISSION - 4-SPD.
 AUTOMATIC,46RE
 DGW = TRANSMISSION - 4-SPD.
 AUTOMATIC,44RE
 DGO = ALL AUTOMATIC
 TRANSMISSIONS

AR = use ase required - = Non illustrated part

2000 DN

Bike Carrier - Roof Mount
Figure 1-214

ITEM	PART NUMBER	QTY	LINE	SERIES	BODY	ENGINE	TRANS	TRIM	DESCRIPTION
1	82203471	1							CARRIER KIT, Bike, Upright - Mount
2	05016512AA	1							HARDWARE KIT, Accessory
3	05016513AA	1							STRAP, Cargo Tie Down
4	05018194AA	1							HARDWARE KIT, Bike Carrier



DURANGO (DN)

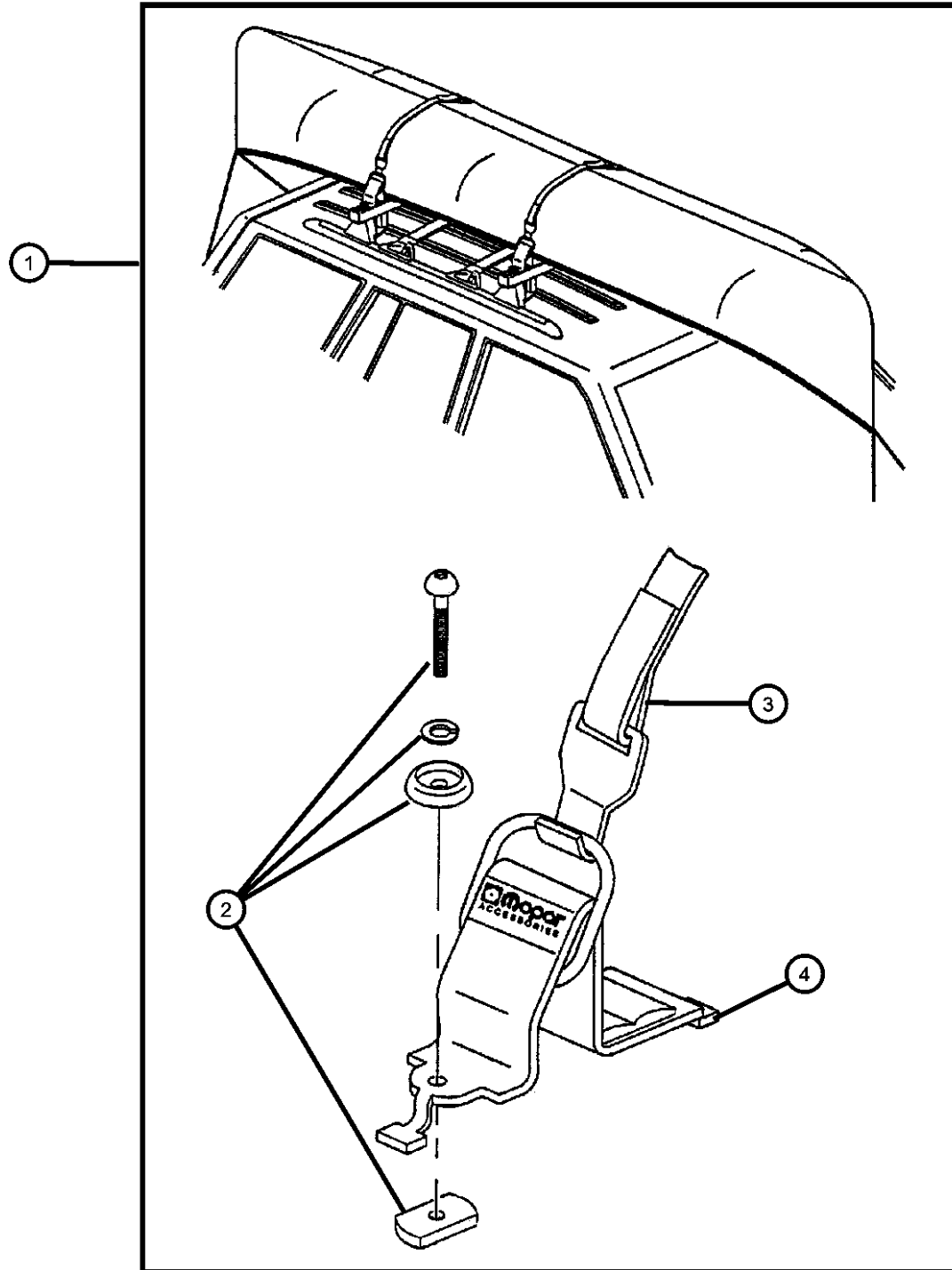
SERIES LINE
L = Durango 5 = 4WD
 1 = 2WD

BODY
74 = SPORT UTILITY 4-DR

ENGINE TRANSMISSION
ELF = ENGINE - 5.2L V8 MPI DG4 = TRANSMISSION-MULTI-
EML = ENGINE - 5.9L V8 MPI SPEED AUTO, 45RFE
EVA = ENGINE- 4.7L V8 MPI DGT = TRANSMISSION - 4-SPD.
 AUTOMATIC,46RE
 DGW = TRANSMISSION - 4-SPD.
 AUTOMATIC,44RE
 DGO = ALL AUTOMATIC
 TRANSMISSIONS

AR = use ase required - = Non illustrated part

Carrier Kit - Canoe
Figure 1-220



ITEM	PART NUMBER	QTY	LINE	SERIES	BODY	ENGINE	TRANS	TRIM	DESCRIPTION
------	-------------	-----	------	--------	------	--------	-------	------	-------------

NOTE: Use only with Sport Utility Bar
NOTE: Hardware Kit also contained in Carrier Kit

1	82204700	1	1, 5		74				CARRIER KIT, Water Sports
2	05016389AA	1	1, 5		74				HARDWARE KIT, Accessory, Consists of: 4-25mm Button Head Screws, 4-30mm Button Head Screws, 4 Lock Washers, 4 Dome washers, 4 T-Nuts
3	05016511AA	1	1, 5		74				STRAP, Cargo Tie Down
4	05016510AA	1	1, 5		74				BRACKET, Cargo Tie Down

DURANGO (DN)

SERIES LINE
L = Durango 5 = 4WD
1 = 2WD

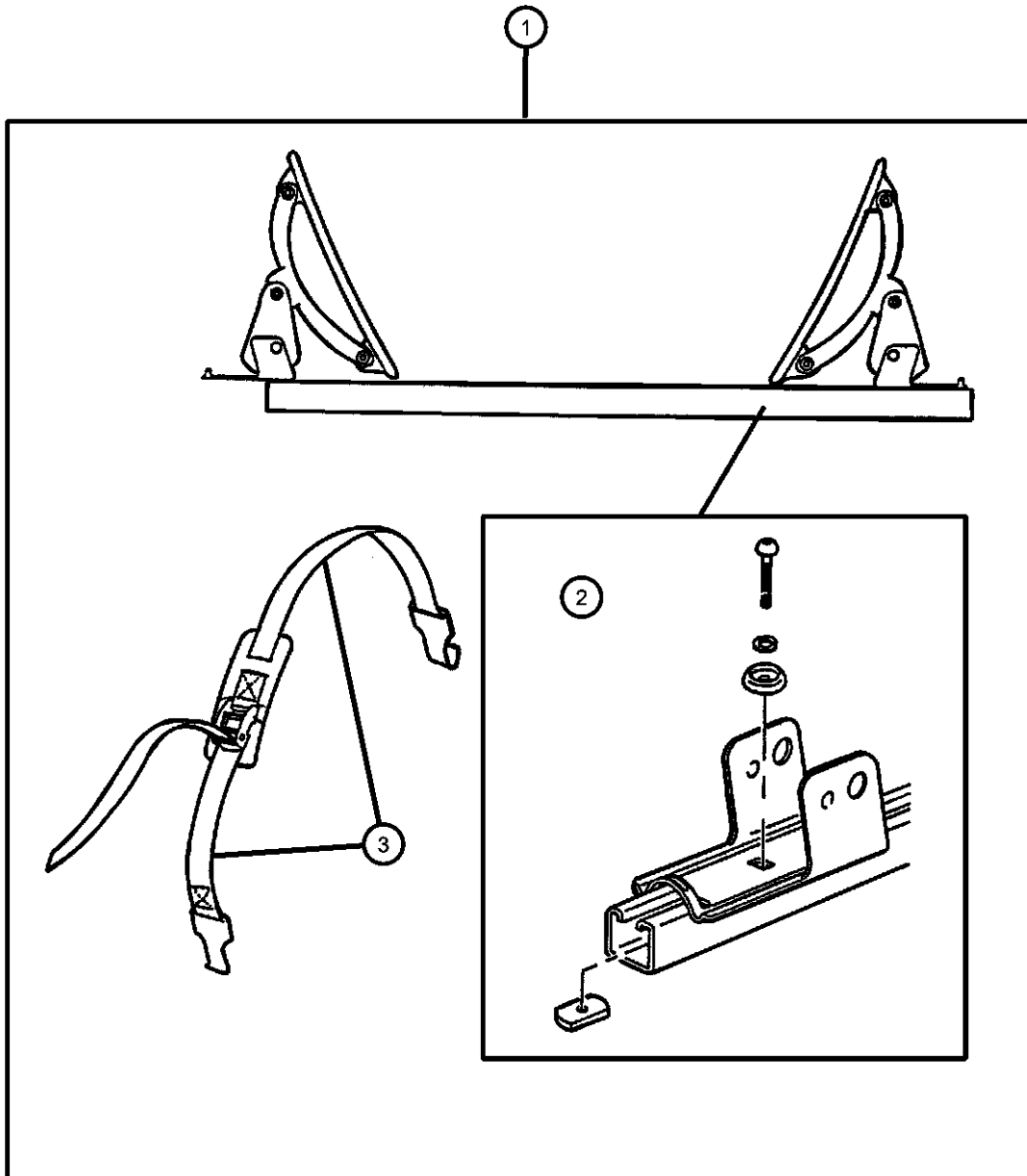
BODY
74 = SPORT UTILITY 4-DR

ENGINE TRANSMISSION
ELF = ENGINE - 5.2L V8 MPI DG4 = TRANSMISSION-MULTI-
EML = ENGINE - 5.9L V8 MPI SPEED AUTO, 45RFE
EVA = ENGINE- 4.7L V8 MPI DGT = TRANSMISSION - 4-SPD.
AUTOMATIC,46RE
DGW = TRANSMISSION - 4-SPD.
AUTOMATIC,44RE
DGO = ALL AUTOMATIC
TRANSMISSIONS

AR = use ase required - = Non illustrated part

2000 DN

Carrier Kit - Water Sports
Figure 1-222



ITEM	PART NUMBER	QTY	LINE	SERIES	BODY	ENGINE	TRANS	TRIM	DESCRIPTION
1	82204701	1	1, 5		74				CARRIER KIT, Water Sports
2	05016389AA	1	1, 5		74				HARDWARE KIT, Accessory, Consists of : 4-25MM Button Head Screws, 4-30MM Button Head Screws, 4-Lock Washers, 4-Dome Washers and 4- T-Nuts
3	05016511AA	1	1, 5		74				STRAP, Cargo Tie Down

DURANGO (DN)

SERIES LINE
L = Durango 5 = 4WD
 1 = 2WD

BODY
74 = SPORT UTILITY 4-DR

ENGINE
ELF = ENGINE - 5.2L V8 MPI
EML = ENGINE - 5.9L V8 MPI
EVA = ENGINE- 4.7L V8 MPI

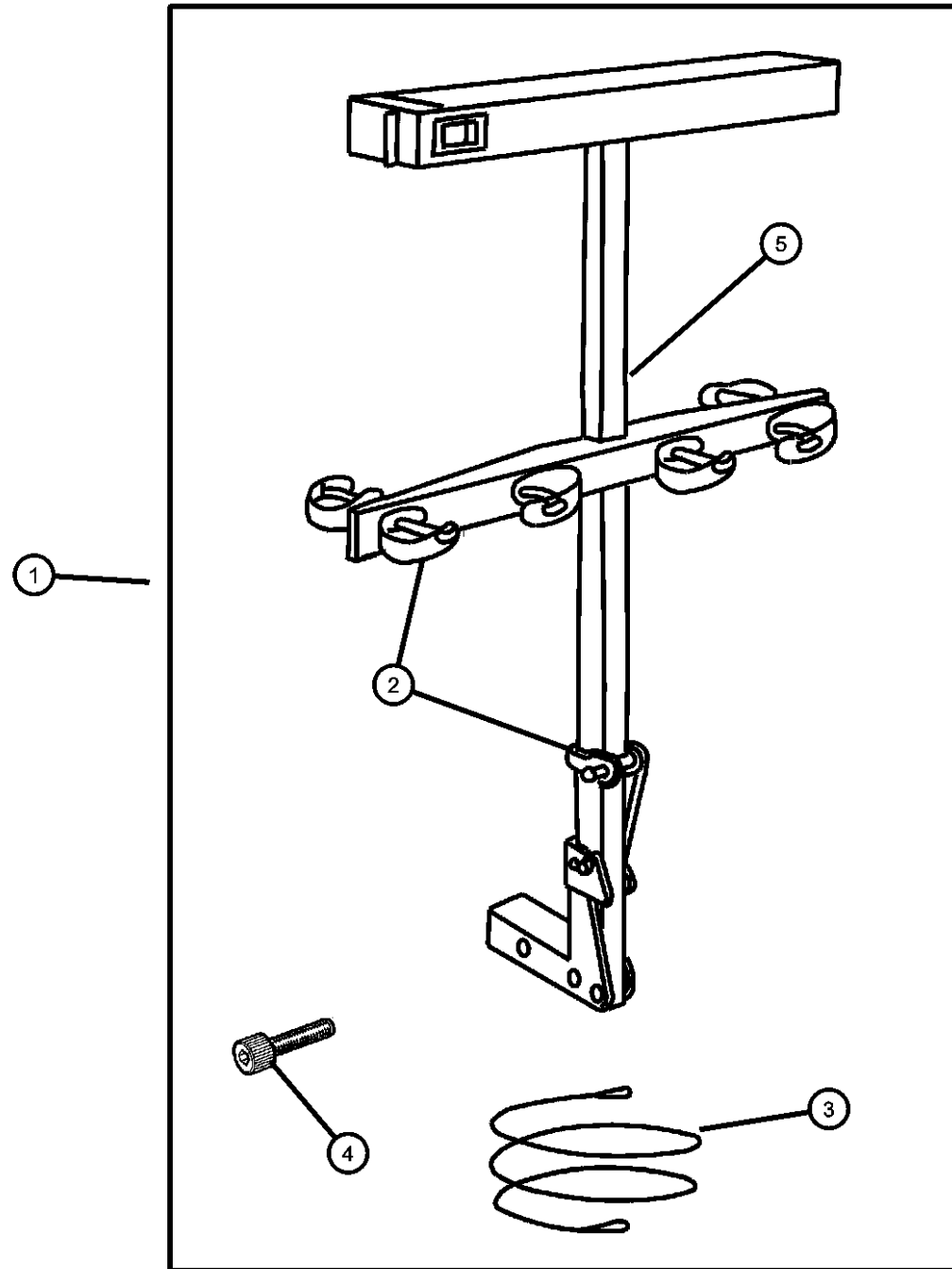
TRANSMISSION
DG4 = TRANSMISSION-MULTI-
SPEED AUTO, 45RFE
DGT = TRANSMISSION - 4-SPD.
AUTOMATIC,46RE
DGW = TRANSMISSION - 4-SPD.
AUTOMATIC,44RE
DGO = ALL AUTOMATIC
TRANSMISSIONS

AR = use ase required - = Non illustrated part

2000 DN

Carrier Kit - Ski
Figure 1-230

ITEM	PART NUMBER	QTY	LINE	SERIES	BODY	ENGINE	TRANS	TRIM	DESCRIPTION
1									CARRIER KIT, Ski - 4 Pair
	82204454	1	1, 5		74				1.25 inch Receiver
	82204455	1	1, 5		74				2 inch Receiver
2	05016775AA	1	1, 5		74				STRAP KIT, Bike Carrier Latch
3	04762882	1	1, 5		74				LOCK KIT, Bike Carrier Handle
4	05016776AA	1	1, 5		74				BOLT KIT, Security
5	05016610AA	1	1, 5		74				HARDWARE KIT, Accessory



DURANGO (DN)

SERIES LINE
L = Durange 5 = 4WD
1 = 2WD

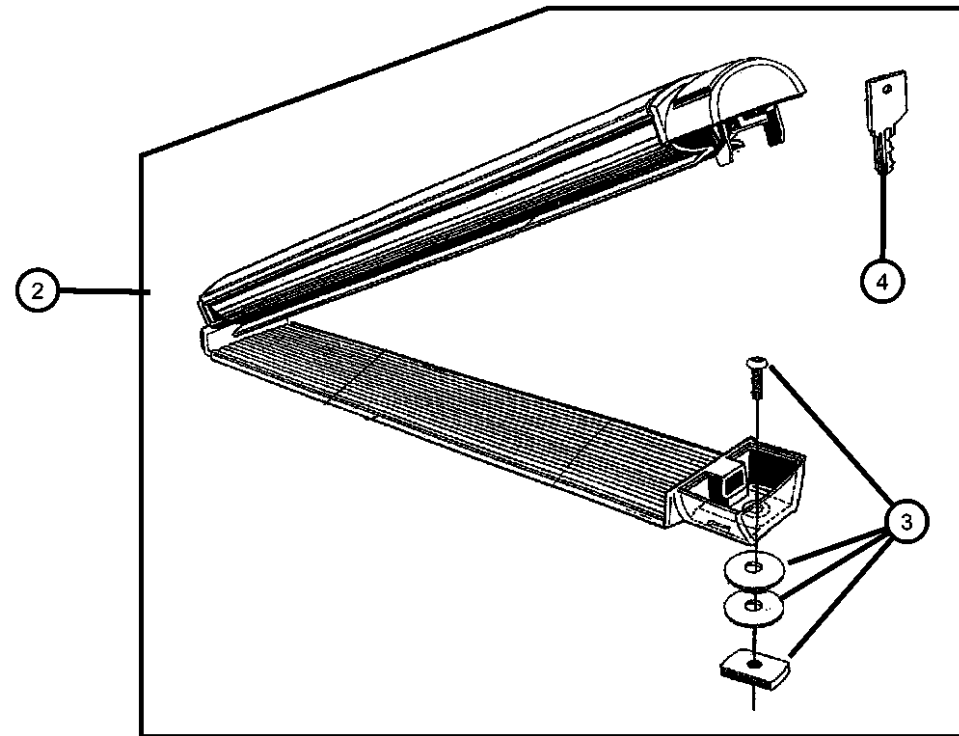
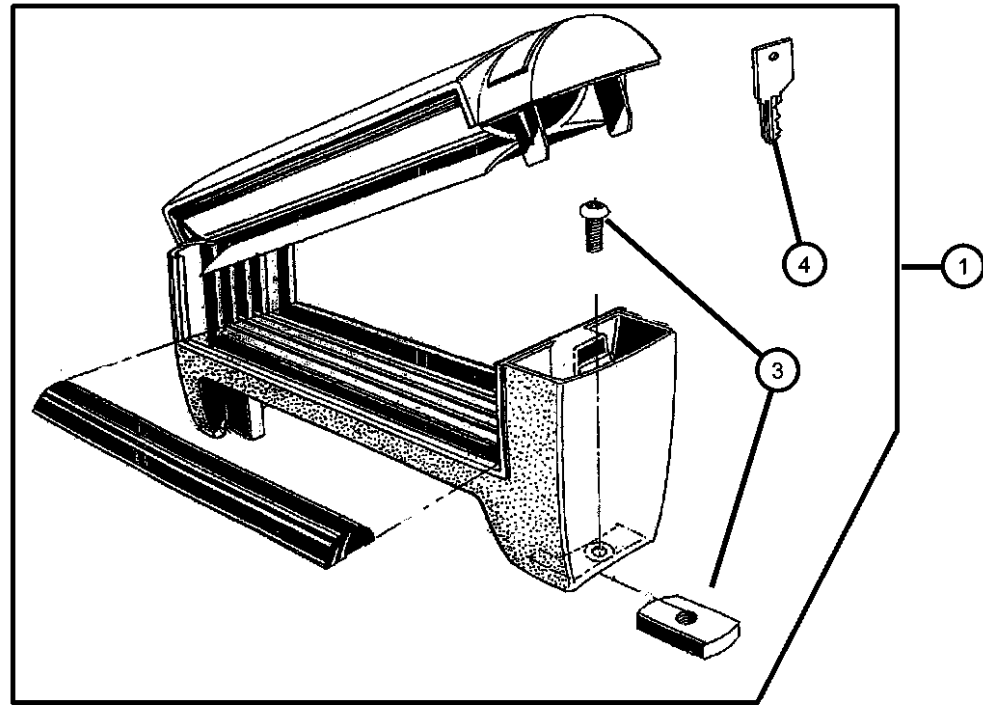
BODY
74 = SPORT UTILITY 4-DR

ENGINE TRANSMISSION
ELF = ENGINE - 5.2L V8 MPI DG4 = TRANSMISSION-MULTI-
EML = ENGINE - 5.9L V8 MPI SPEED AUTO, 45RFE
EVA = ENGINE- 4.7L V8 MPI DGT = TRANSMISSION - 4-SPD.
AUTOMATIC, 46RE
DGW = TRANSMISSION - 4-SPD.
AUTOMATIC, 44RE
DGO = ALL AUTOMATIC
TRANSMISSIONS

AR = use ase required - = Non illustrated part

2000 DN

Carrier Kit - Ski (Two Pair)
Figure 1-232



ITEM	PART NUMBER	QTY	LINE	SERIES	BODY	ENGINE	TRANS	TRIM	DESCRIPTION
------	-------------	-----	------	--------	------	--------	-------	------	-------------

NOTE: New keys are Vendor Ship Direct.

1	82203474	1							CARRIER KIT, Ski - 2 Pair, High Mount
2	82203472	1							CARRIER KIT, Ski
3	05018389AA	1							HARDWARE KIT, Mounting High Mount
	05019077AA	1							
4	05019077AA	1							KEY, Master, (NOT SERVICED)

DURANGO (DN)

SERIES	LINE
L = Durango	5 = 4WD 1 = 2WD

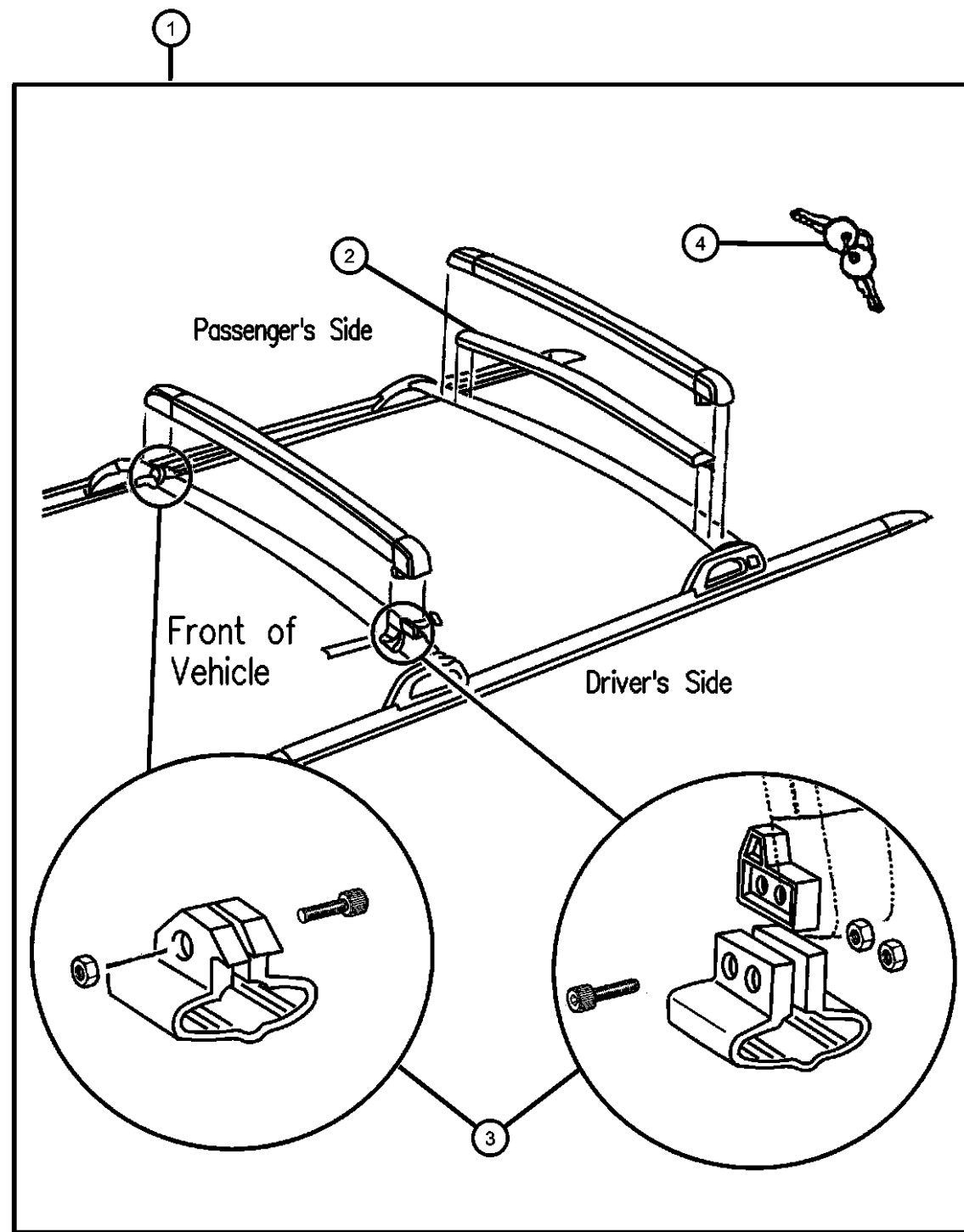
BODY
74 = SPORT UTILITY 4-DR

ENGINE	TRANSMISSION
ELF = ENGINE - 5.2L V8 MPI	DG4 = TRANSMISSION-MULTI-SPEED AUTO, 45RFE
EML = ENGINE - 5.9L V8 MPI	DGT = TRANSMISSION - 4-SPD. AUTOMATIC, 46RE
EVA = ENGINE - 4.7L V8 MPI	DGW = TRANSMISSION - 4-SPD. AUTOMATIC, 44RE
	DGO = ALL AUTOMATIC TRANSMISSIONS

AR = use ase required - = Non illustrated part

2000 DN

Carrier Kit - Ski (Four Pair)
Figure 1-234



ITEM	PART NUMBER	QTY	LINE	SERIES	BODY	ENGINE	TRANS	TRIM	DESCRIPTION
1	82204101	1	1, 5		74				CARRIER KIT, Ski - 4 Pair
2	04797617	1	1, 5		74				PAD, Crossbar, Comes in 36' - Cut to size.
3	04797618	1							HARDWARE KIT, Accessory, Contains: 6-Socket Head Screws, 6-Hex Nuts, 1-Allen Wrench, 4-Pivot Adapters & 4- Latch Adapters.
4	04796058	1	1, 5		74				LOCK KIT, Carrier, 2-Lock Assy. with 2-Keys and 2-Clips

DURANGO (DN)

SERIES LINE
L = Durango 5 = 4WD
 1 = 2WD

BODY
74 = SPORT UTILITY 4-DR

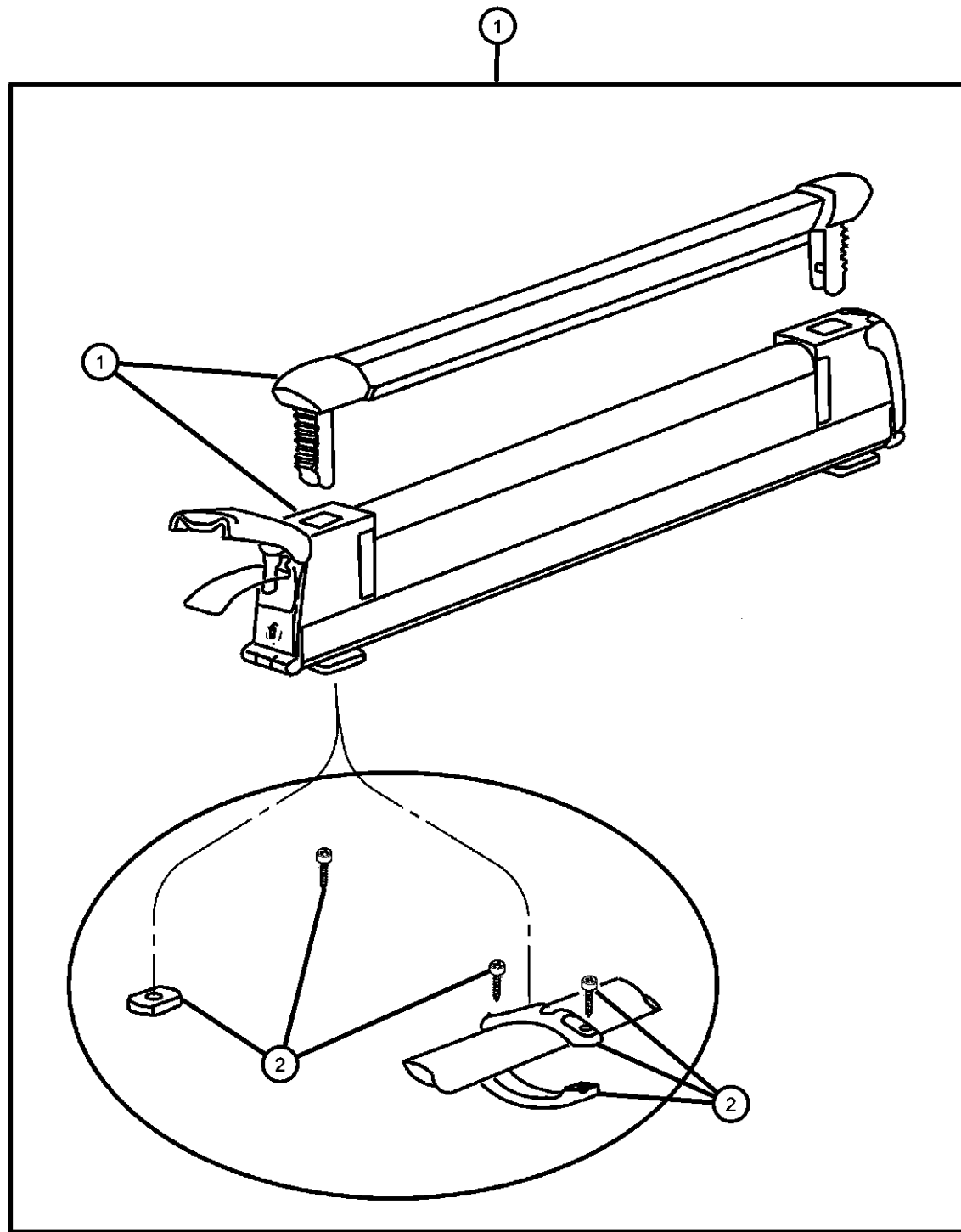
ENGINE
ELF = ENGINE - 5.2L V8 MPI
EML = ENGINE - 5.9L V8 MPI
EVA = ENGINE- 4.7L V8 MPI

TRANSMISSION
DG4 = TRANSMISSION-MULTI-SPEED AUTO, 45RFE
DGT = TRANSMISSION - 4-SPD. AUTOMATIC, 46RE
DGW = TRANSMISSION - 4-SPD. AUTOMATIC, 44RE
DGO = ALL AUTOMATIC TRANSMISSIONS

AR = use ase required - = Non illustrated part

2000 DN

Carrier Kit - Ski (Six Pair)
Figure 1-236



ITEM	PART NUMBER	QTY	LINE	SERIES	BODY	ENGINE	TRANS	TRIM	DESCRIPTION
1	82205994	1							CARRIER KIT, Ski
2	05019362AA	1							HARDWARE KIT, Mounting, Contains: T-Slot Anchor, Cross Bar Adapter and Bolts

DURANGO (DN)

SERIES LINE
L = Durango 5 = 4WD
 1 = 2WD

BODY
74 = SPORT UTILITY 4-DR

ENGINE TRANSMISSION
ELF = ENGINE - 5.2L V8 MPI DG4 = TRANSMISSION-MULTI-
EML = ENGINE - 5.9L V8 MPI SPEED AUTO, 45RFE
EVA = ENGINE- 4.7L V8 MPI DGT = TRANSMISSION - 4-SPD.
AUTOMATIC,46RE
DGW = TRANSMISSION - 4-SPD.
AUTOMATIC,44RE
DGO = ALL AUTOMATIC
TRANSMISSIONS

AR = use ase required - = Non illustrated part

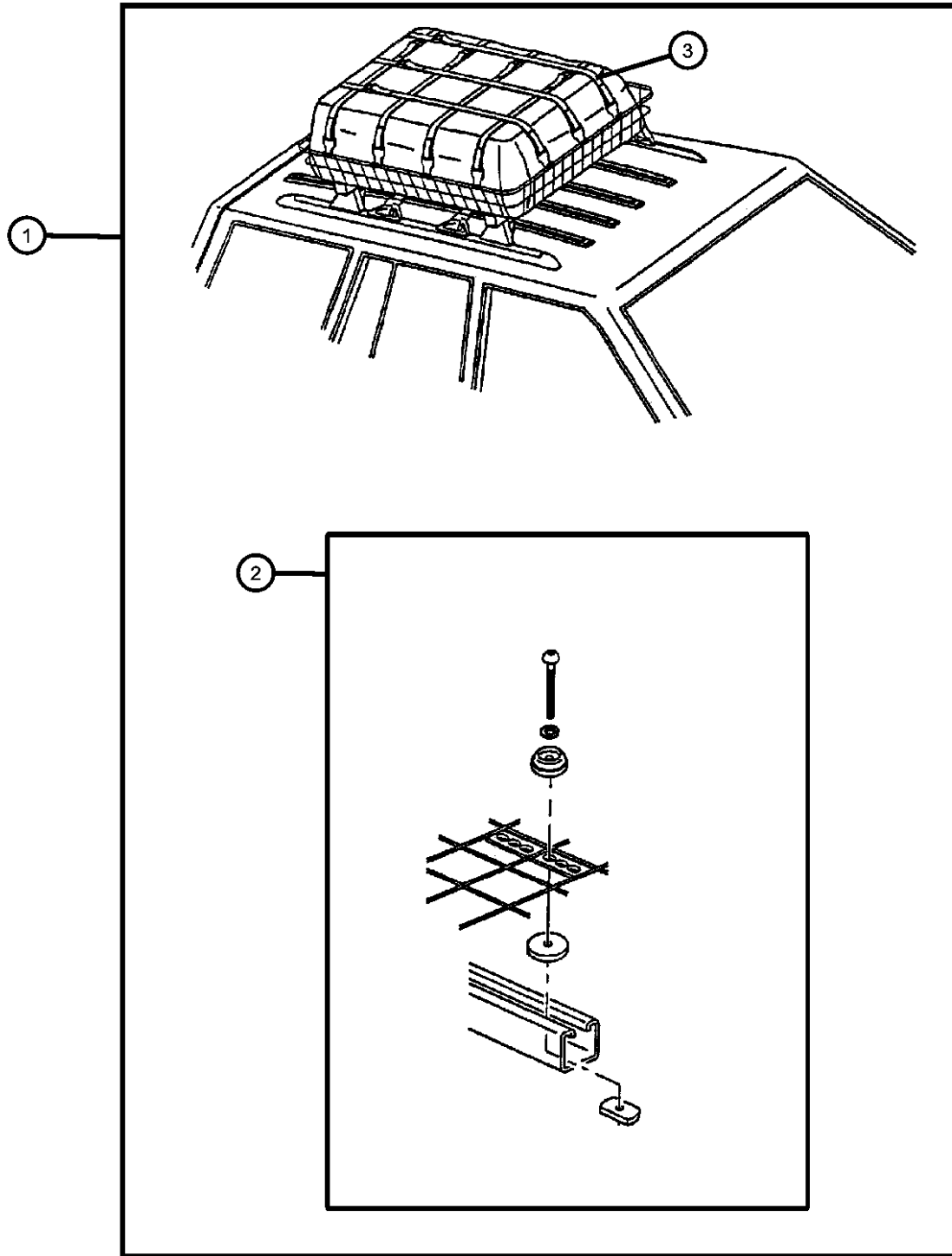
Carrier Kit - Basket
Figure 1-240

ITEM	PART NUMBER	QTY	LINE	SERIES	BODY	ENGINE	TRANS	TRIM	DESCRIPTION
------	-------------	-----	------	--------	------	--------	-------	------	-------------

NOTE: Use only with Sport Utility Bar

NOTE: Hardware Kit also contained in Carrier Kit.

1	82204697	1	1, 5		74				CARRIER KIT, Basket
2	05016389AA	1	1, 5		74				HARDWARE KIT, Accessory
3	82204857	1	1, 5		74				NET KIT, Cargo



DURANGO (DN)

SERIES LINE
L = Durango 5 = 4WD
 1 = 2WD

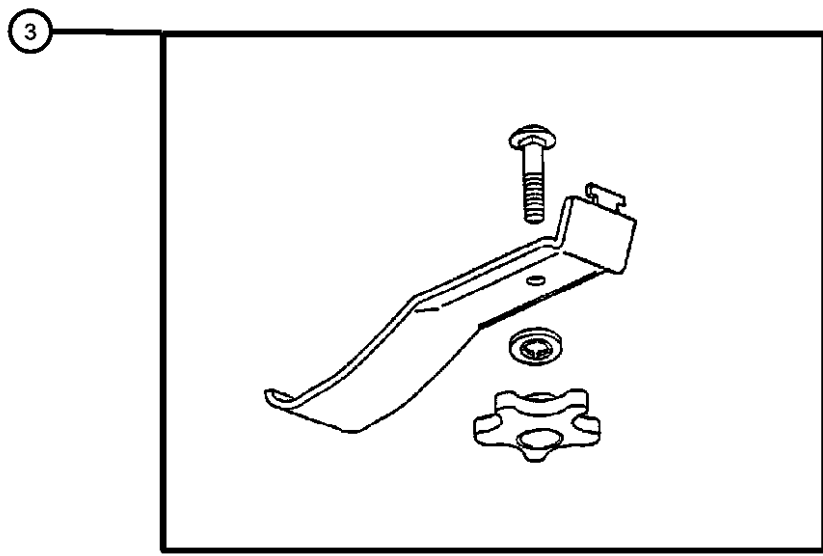
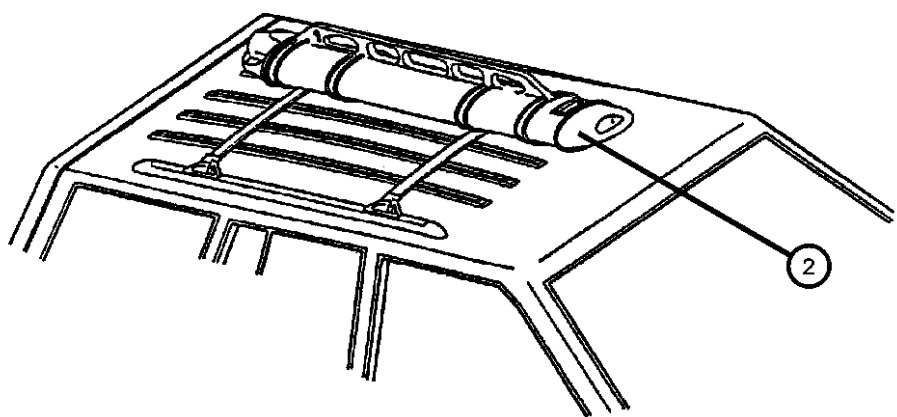
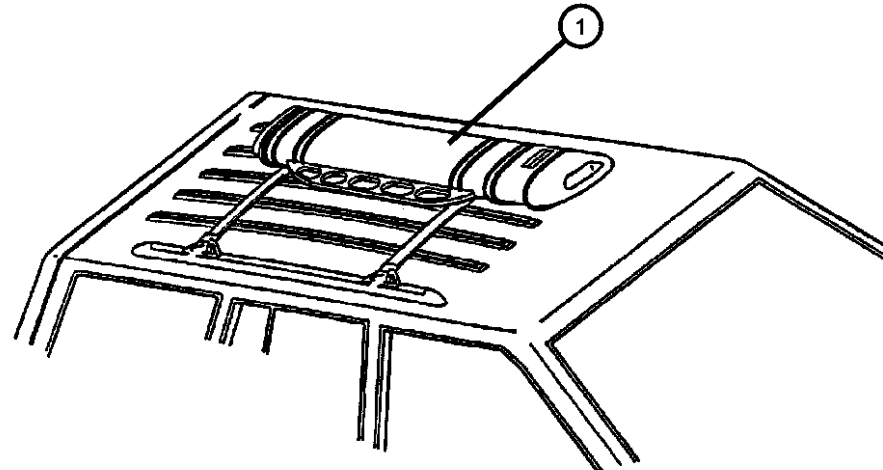
BODY
74 = SPORT UTILITY 4-DR

ENGINE TRANSMISSION
ELF = ENGINE - 5.2L V8 MPI DG4 = TRANSMISSION-MULTI-
EML = ENGINE - 5.9L V8 MPI SPEED AUTO, 45RFE
EVA = ENGINE- 4.7L V8 MPI DGT = TRANSMISSION - 4-SPD.
 AUTOMATIC,46RE
 DGW = TRANSMISSION - 4-SPD.
 AUTOMATIC,44RE
 DGO = ALL AUTOMATIC
 TRANSMISSIONS

AR = use ase required - = Non illustrated part

Carrier Kit - Multitpurpose
Figure 1-250

ITEM	PART NUMBER	QTY	LINE	SERIES	BODY	ENGINE	TRANS	TRIM	DESCRIPTION
------	-------------	-----	------	--------	------	--------	-------	------	-------------



NOTE: Use only with Sport Utility Bar
 NOTE: Carrier Kits - Multipurpose: Skis or Fishing Pole
 Snow Board or Surfboard
 NOTE: Hardware Kit also contained in Carrier Kit

1	82204699	1	1, 5		74				CARRIER KIT, Wind/Surf Boards
2	82204698	1	1, 5		74				CARRIER KIT, Ski
3	05016509AA	1	1, 5		74				HARDWARE KIT, Accessory
-4	05016617AA	1	1, 5		74				LOCK KIT, Carrier

DURANGO (DN)

SERIES	LINE
L = Durango	5 = 4WD 1 = 2WD

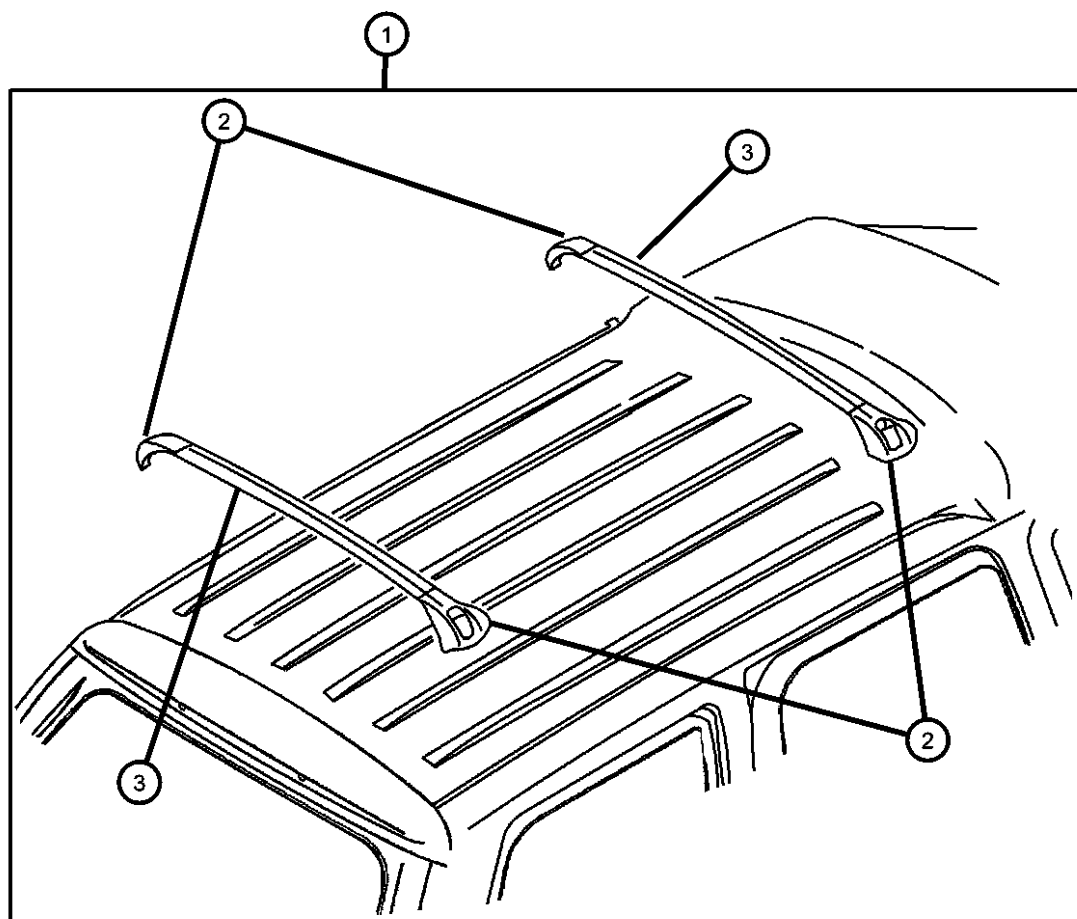
BODY
74 = SPORT UTILITY 4-DR

ENGINE	TRANSMISSION
ELF = ENGINE - 5.2L V8 MPI	DG4 = TRANSMISSION-MULTI-SPEED AUTO, 45RFE
EML = ENGINE - 5.9L V8 MPI	DGT = TRANSMISSION - 4-SPD. AUTOMATIC, 46RE
EVA = ENGINE- 4.7L V8 MPI	DGW = TRANSMISSION - 4-SPD. AUTOMATIC, 44RE
	DGO = ALL AUTOMATIC TRANSMISSIONS

AR = use ase required - = Non illustrated part

Luggage Rack Package - Roof
Figure 1-260

ITEM	PART NUMBER	QTY	LINE	SERIES	BODY	ENGINE	TRANS	TRIM	DESCRIPTION
1	82205928	1	1, 5		74				LUGGAGE RACK PACKAGE, Roof
2									STANCHION, Luggage Rack Cross Bar
	05003982AA	2							Right
	05003983AA	2							Left
3	05003984AA	2							CROSS RAIL, Roof Rack, Black



DURANGO (DN)

SERIES LINE
L = Durango 5 = 4WD
 1 = 2WD

BODY
74 = SPORT UTILITY 4-DR

ENGINE
ELF = ENGINE - 5.2L V8 MPI
EML = ENGINE - 5.9L V8 MPI
EVA = ENGINE- 4.7L V8 MPI

TRANSMISSION
DG4 = TRANSMISSION-MULTI-
SPEED AUTO, 45RFE
DGT = TRANSMISSION - 4-SPD.
AUTOMATIC, 46RE
DGW = TRANSMISSION - 4-SPD.
AUTOMATIC, 44RE
DGO = ALL AUTOMATIC
TRANSMISSIONS

AR = use ase required - = Non illustrated part

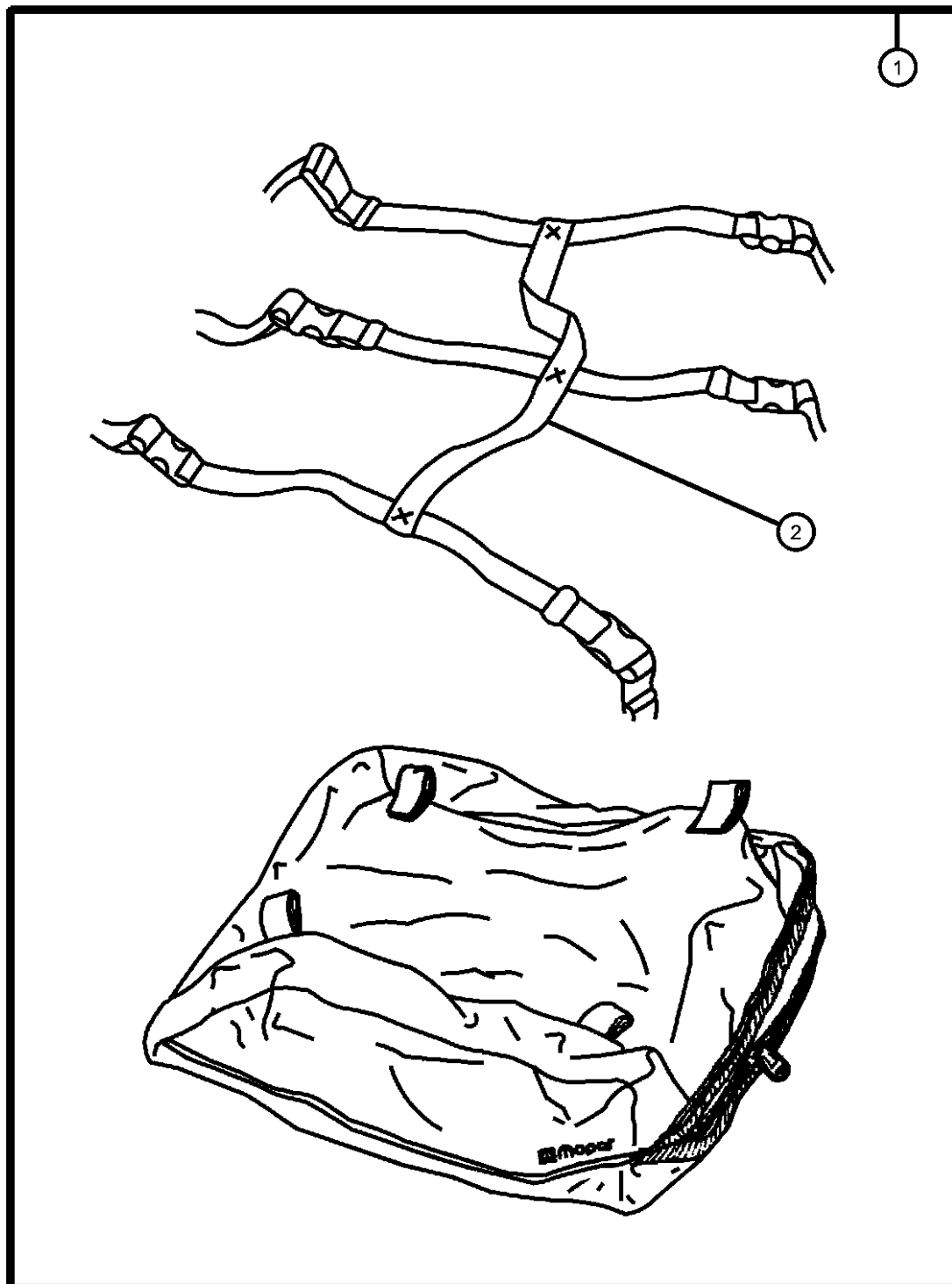
2000 DN

Luggage Carrier - Roof Mount
Figure 1-264

ITEM	PART NUMBER	QTY	LINE	SERIES	BODY	ENGINE	TRANS	TRIM	DESCRIPTION
------	-------------	-----	------	--------	------	--------	-------	------	-------------

NOTE: Requires Roof Rack.

1	82204344	1	1, 5		74				CARRIER KIT, Luggage
2	05066332AA	1	1, 5		74				STRAP KIT, Luggage Carrier



DURANGO (DN)

SERIES LINE
L = Durango 5 = 4WD
 1 = 2WD

BODY
74 = SPORT UTILITY 4-DR

ENGINE
ELF = ENGINE - 5.2L V8 MPI
EML = ENGINE - 5.9L V8 MPI
EVA = ENGINE - 4.7L V8 MPI

TRANSMISSION
DG4 = TRANSMISSION-MULTI-
SPEED AUTO, 45RFE
DGT = TRANSMISSION - 4-SPD.
AUTOMATIC, 46RE
DGW = TRANSMISSION - 4-SPD.
AUTOMATIC, 44RE
DGO = ALL AUTOMATIC
TRANSMISSIONS

AR = use ase required - = Non illustrated part

2000 DN