

### VIN PLATE DECODING INFORMATION

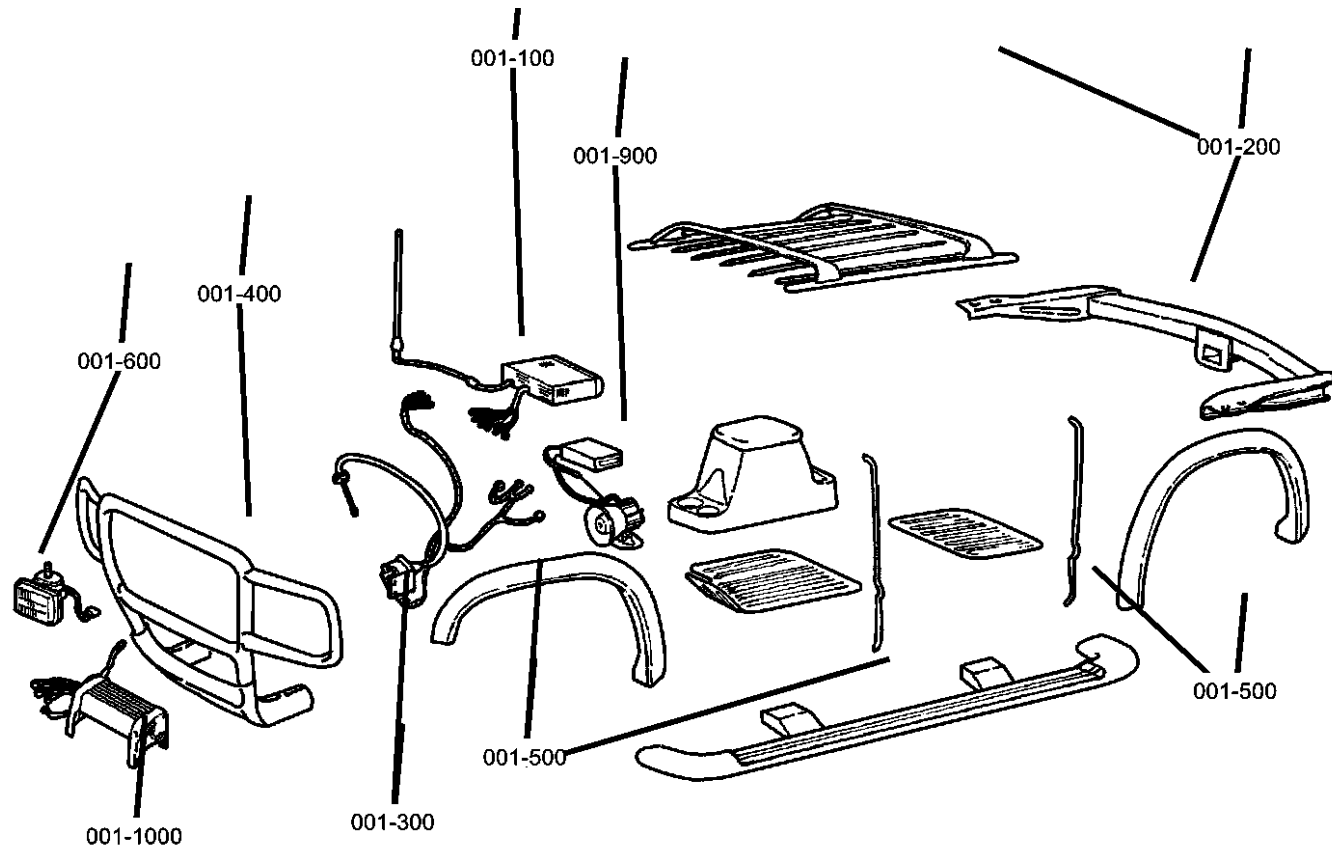
1	2	3	4	5	6	7	8	9	10	11	12 thru 17
Country	Make	Vehicle Type	Other	Line	Series	Body Style	Engine	Check Digit	Model Year	Assy. Plant	Sequence No.

The following table interprets the VIN Plate position shown above.

Position	Interpretation	Codes = Description
1	Country of Origin	1 = USA
2	Assembler	D = Dodge
3	Vehicle Type	7 = Truck
4	GVWR & Pass. Safety	D = 0 - 1360 kg (1 - 3000 lbs) E = 1361 - 1814 kg (3001 - 4000 lbs) F = 1815 - 2267 kg (4001 - 5000 lbs) G = 2268 - 2721 kg (5001 - 6000 lbs) H = 2722 - 3175 kg (6001 - 7000 lbs) J = 3176 - 3628 kg (7001 - 8000 lbs) K = 3629 - 4082 kg (8001 - 9000 lbs) L = 4083 - 4535 kg (9001 - 10000 lbs) M = 4536 - 6350 kg (10001 - 14000 lbs)
5	Vehicle Line	E = Dakota 4x2 W = Dakota 4x4
6	Series	5 = Dakota Laramie / Sport 4 = Dakota SLT / SPORT 2 = Dakota ST
7	Body Style	2 = Club Cab (33) 8 = Quad Cab (84)
8	Engine	K = 3.7 V6 MPI (EKG) J = 4.7 V6 HO (EVC) N = 4.7 V8 MPI (EVA)
9	Check Digit	0 = Check Digit
10	Model Year	7 = 2007
11	Assembly Plant	S = Warren Truck
12 thru 17	Vehicle Build Sequence	Model Year Assembly Sequence

# Group - 1

## Component Parts for Mopar Accessories



## Group - 1 Component Parts for Mopar Accessories

Illustration Title

Group-Fig. No.

### Audio & Electronics

Satellite Receiver Kit ..... Fig. 1 - 105  
 Satellite Receive GEN 2.5 ..... Fig. 1 - 110  
 Install Kit, Satellite Receiver ..... Fig. 1 - 115  
 Navigation Kit- Stand Alone ..... Fig. 1 - 120

### Carriers & Cargo Hauling

Cover Kit - Tonneau ..... Fig. 1 - 265  
 Cover Kit - Folding ..... Fig. 1 - 270  
 Cover Kit - Tonneau Hard, One Piece ..... Fig. 1 - 275  
 Box Kit / Storage Box Exterior ..... Fig. 1 - 280

### Driving Convenience

Remote Start ..... Fig. 1 - 310  
 Hands Free Kit/Cellular Phone Blue Tooth ..... Fig. 1 - 320  
 Speed Control ..... Fig. 1 - 330

### Exterior Appearance



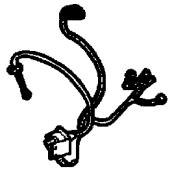
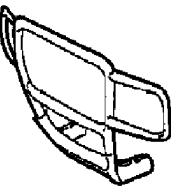
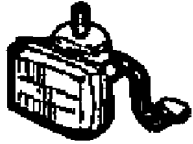

Bedliner Kit - Under Rail ..... Fig. 1 - 410  
 Bedliner Kit - Over Rail ..... Fig. 1 - 415

### Fog Lights & Electrical

Light Kit - Fog ..... Fig. 1 - 610

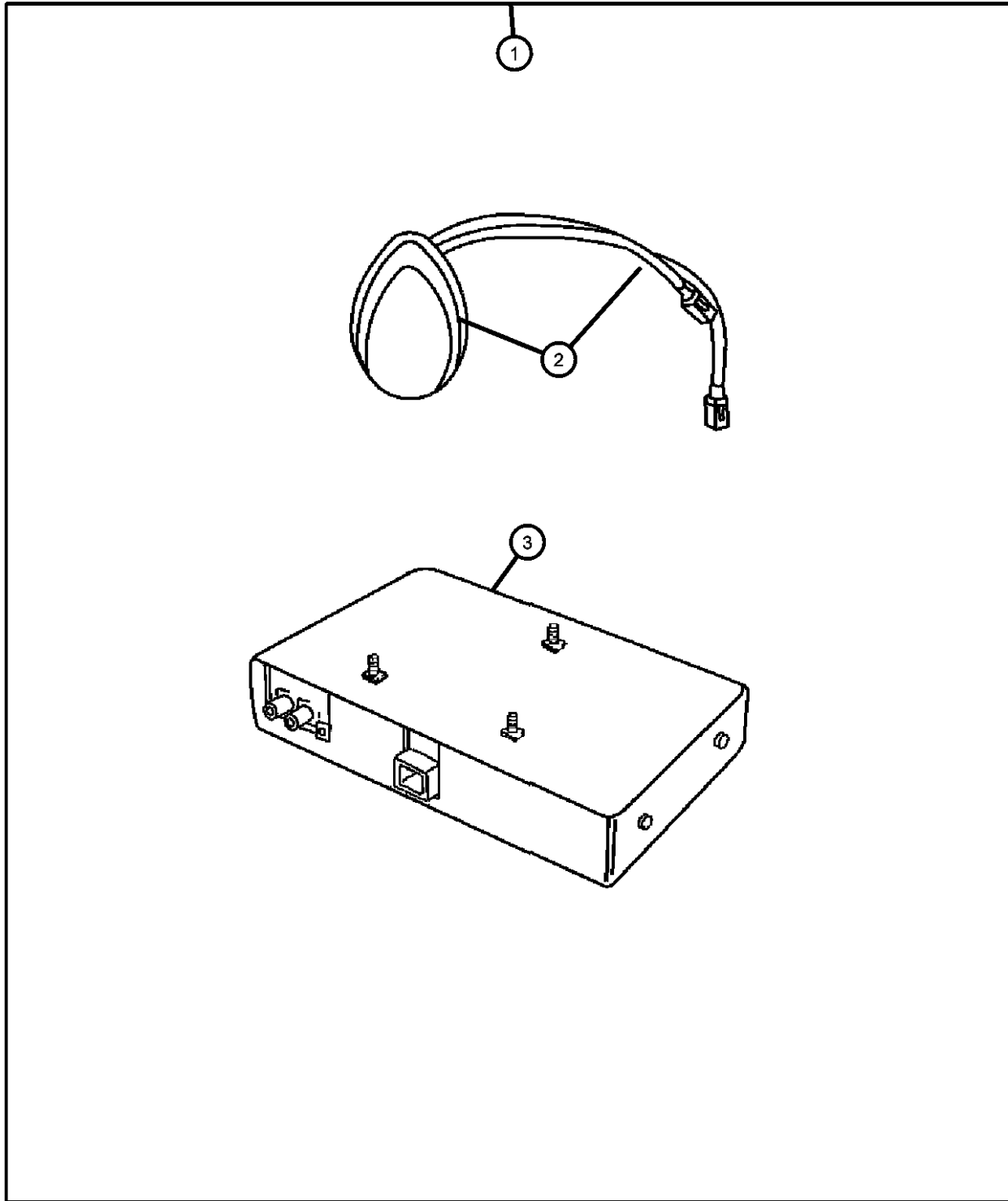
### Security

Alarm Kit ..... Fig. 1 - 910

<p><b>001-100</b> Audio &amp; Electronics</p> 	<p><b>001-200</b> Carriers &amp; Cargo Hauling</p> 	<p><b>001-300</b> Driving Convenience</p> 	<p><b>001-400</b> Exterior Appearance</p> 
<p><b>001-600</b> Fog Lights &amp; Electrical</p> 	<p><b>001-900</b> Security</p> 		

**Satellite Receiver Kit  
Figure 1-105**

ITEM	PART NUMBER	QTY	LINE	SERIES	BODY	ENGINE	TRANS	TRIM	DESCRIPTION
------	-------------	-----	------	--------	------	--------	-------	------	-------------



Note; For Warranty Repair On Item 3, Order Using Z Prefix

1	82208881AA	1							RECEIVER, Satellite
2	05091504AB	1							ANTENNA, Satellite
3	05064002AJ	1							RECEIVER, Satellite

**DAKOTA (ND)**

SERIES	LINE	BODY	ENGINE	TRANSMISSION
H = HIGHLINE	1 = Lt. Duty DODGE 2WD	33 = CLUB\QUAD CAB 4-DR	EKG = 3.7L V6 Engine	DEJ = 6-Speed Manual Transmission
L = LOWLINE	5 = Lt. Duty DODGE 4WD	6.5 FT BOX	EVA = 4.7L V8 MPI Engine	DGQ = 5-Spd Automatic 545RFE
P = PREMIUM		84 = QUAD CAB	EVC = 4.7L High Output V8 MPI Engine	Transmission
			EVD = 4.7L V8 FFV Engine	DGV = 4-Spd. Automatic VLP 42RLE Trans

AR = use ase required - = Non illustrated part

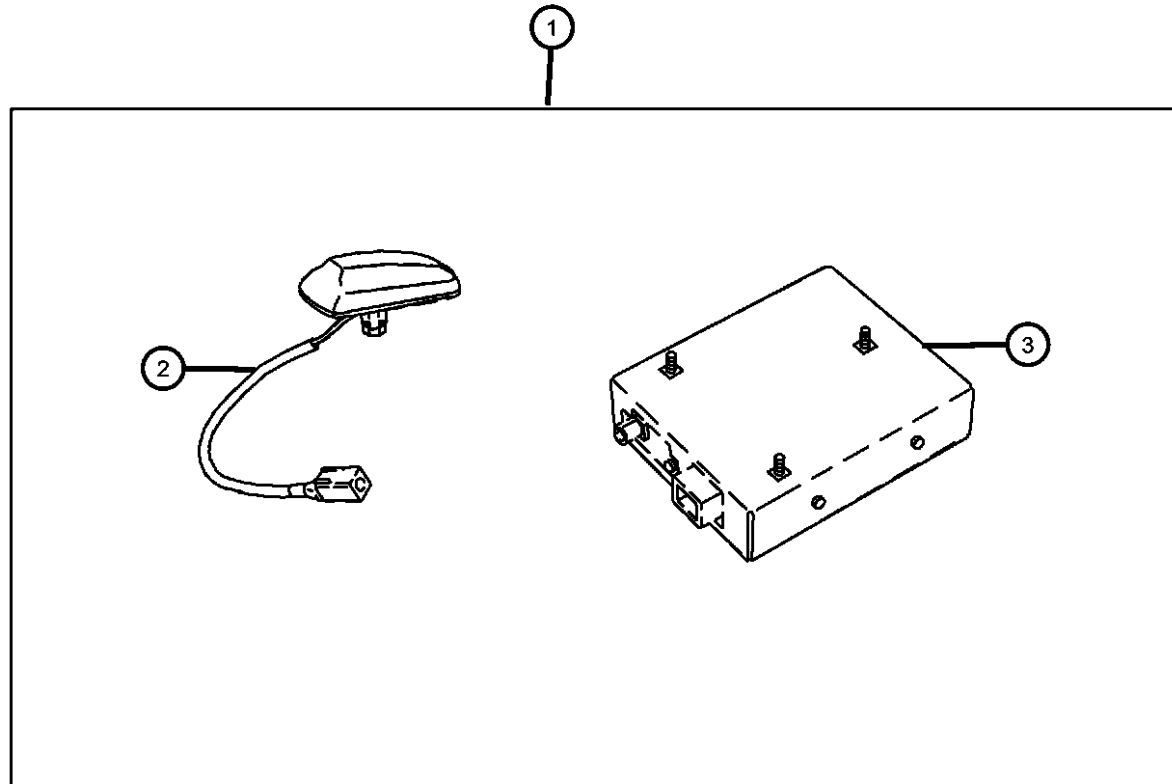
2007 ND

**Satellite Receive GEN 2.5**  
**Figure 1-110**

ITEM	PART NUMBER	QTY	LINE	SERIES	BODY	ENGINE	TRANS	TRIM	DESCRIPTION
------	-------------	-----	------	--------	------	--------	-------	------	-------------

Note: For Warranty Repair On Item 3, Order Using Z Prefix

1	82209719AC	1							RECEIVER, Satellite
2	05150048AB	1							ANTENNA, Satellite
3	68015147AD	1							RECEIVER, Satellite



**DAKOTA (ND)**

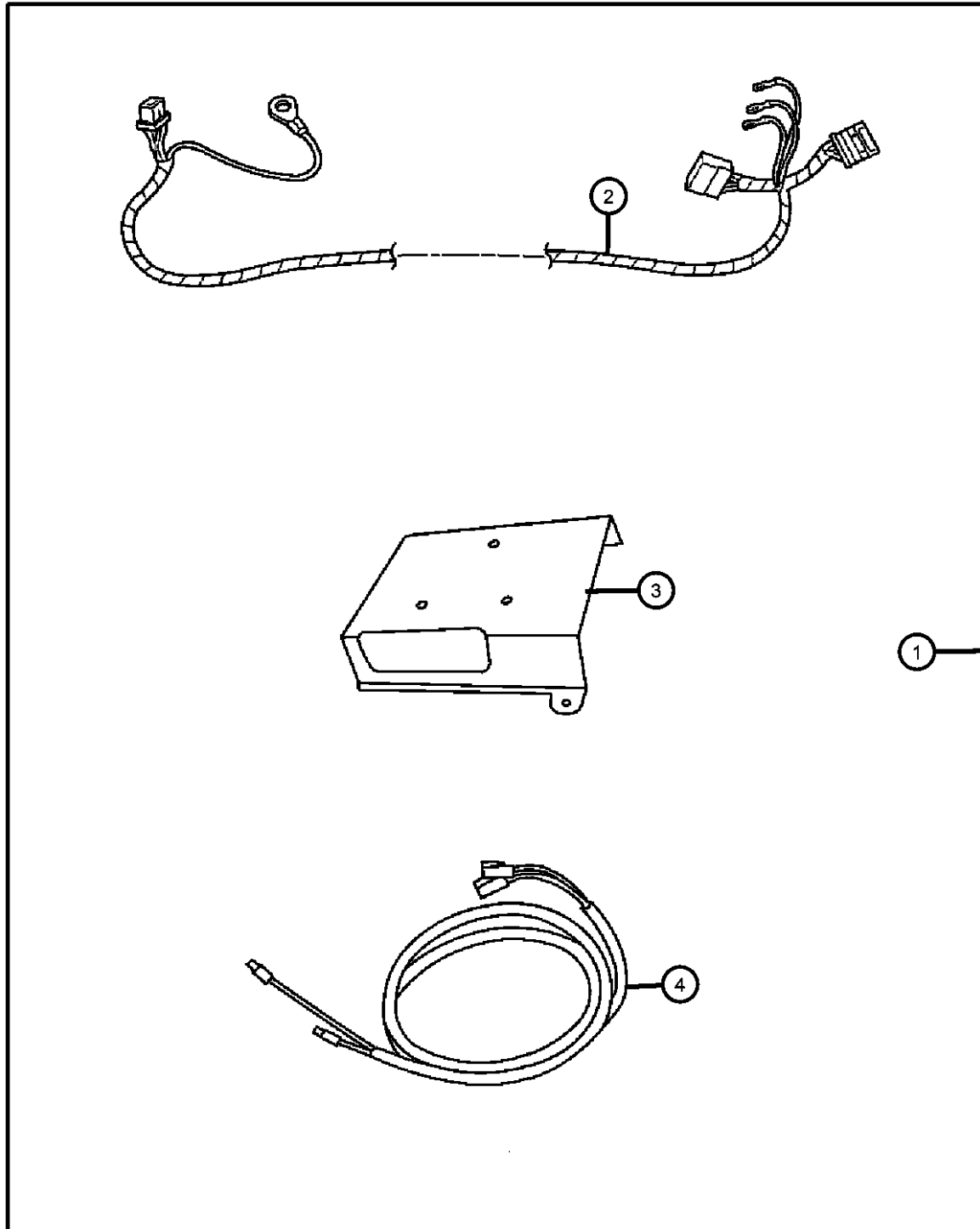
SERIES	LINE	BODY	ENGINE	TRANSMISSION
H = HIGHLINE	1 = Lt. Duty DODGE 2WD	33 = CLUB\QUAD CAB 4-DR	EKG = 3.7L V6 Engine	DEJ = 6-Speed Manual Transmission
L = LOWLINE	5 = Lt. Duty DODGE 4WD	6.5 FT BOX	EVA = 4.7L V8 MPI Engine	DGQ = 5-Spd Automatic 545RFE
P = PREMIUM		84 = QUAD CAB	EVC = 4.7L High Output V8 MPI Engine	Transmission
			EVD = 4.7L V8 FFV Engine	DGV = 4-Spd. Automatic VLP 42RLE
				Trans

AR = use ase required - = Non illustrated part

2007 ND

**Install Kit, Satellite Receiver**  
**Figure 1-115**

ITEM	PART NUMBER	QTY	LINE	SERIES	BODY	ENGINE	TRANS	TRIM	DESCRIPTION
1	82209040AB	1							INSTALL KIT, Satelite Receiver
2	05159035AA	1							HARNESS, Overlay
3	56043279AB	1							BRACKET, Satellite Receiver
4	05066207AB	1							CABLE, Antenna



**DAKOTA (ND)**

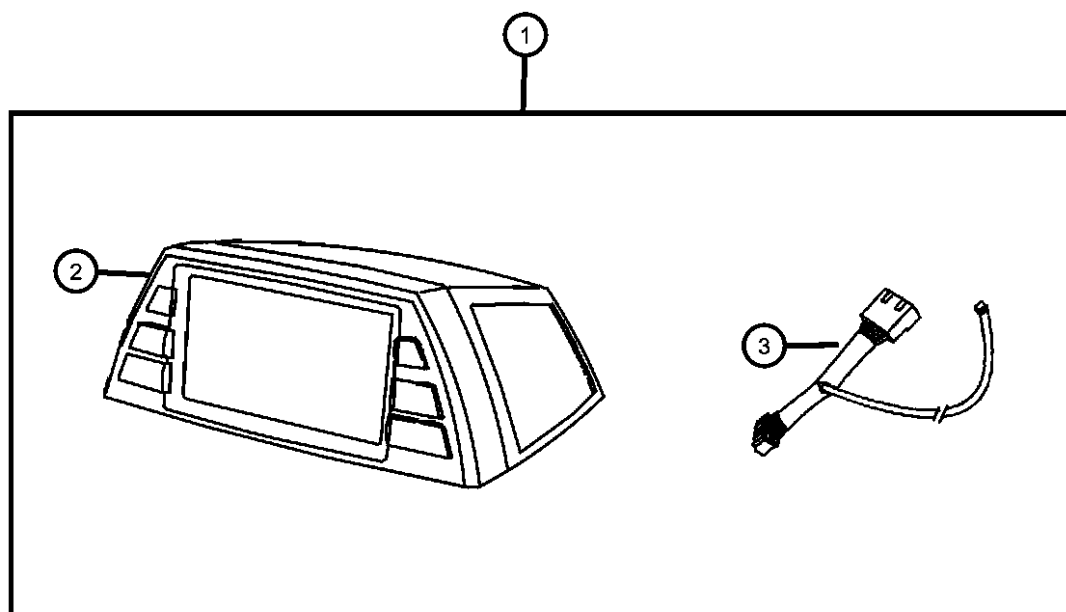
SERIES	LINE	BODY	ENGINE	TRANSMISSION
H = HIGHLINE	1 = Lt. Duty DODGE 2WD	33 = CLUB\QUAD CAB 4-DR	EKG = 3.7L V6 Engine	DEJ = 6-Speed Manual Transmission
L = LOWLINE	5 = Lt. Duty DODGE 4WD	6.5 FT BOX	EVA = 4.7L V8 MPI Engine	DGQ = 5-Spd Automatic 545RFE
P = PREMIUM		84 = QUAD CAB	EVC = 4.7L High Output V8 MPI Engine	Transmission
			EVD = 4.7L V8 FFV Engine	DGV = 4-Spd. Automatic VLP 42RLE
				Trans

AR = use ase required - = Non illustrated part

2007 ND

**Navigation Kit- Stand Alone**  
**Figure 1-120**

ITEM	PART NUMBER	QTY	LINE	SERIES	BODY	ENGINE	TRANS	TRIM	DESCRIPTION
1	82209846	1							NAVIGATION KIT, Vehicle
2	05175002AA	1							MODULE, Navigation Display
3	05175003AA	1							WIRING, Navigation Display
-4	05175839AA	1							COVER, Radio
-5	05175016AA	1							MEMORY CARD, Map Data



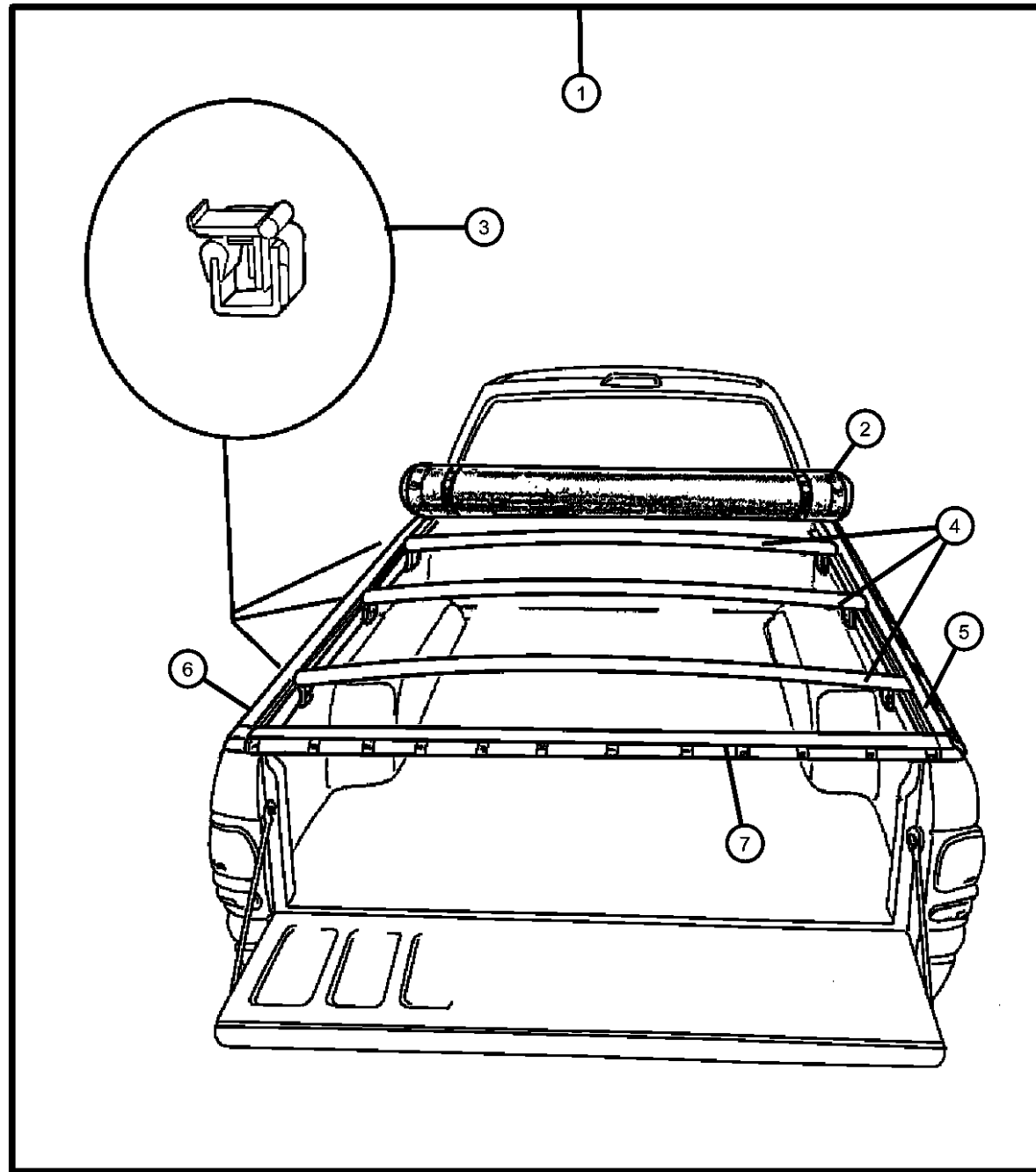
**DAKOTA (ND)**

SERIES	LINE	BODY	ENGINE	TRANSMISSION
H = HIGHLINE	1 = Lt. Duty DODGE 2WD	33 = CLUB\QUAD CAB 4-DR	EKG = 3.7L V6 Engine	DEJ = 6-Speed Manual Transmission
L = LOWLINE	5 = Lt. Duty DODGE 4WD	6.5 FT BOX	EVA = 4.7L V8 MPI Engine	DGQ = 5-Spd Automatic 545RFE
P = PREMIUM		84 = QUAD CAB	EVC = 4.7L High Output V8 MPI Engine	Transmission
			EVD = 4.7L V8 FFV Engine	DGV = 4-Spd. Automatic VLP 42RLE
				Trans

AR = use ase required - = Non illustrated part

2007 ND

**Cover Kit - Tonneau  
Figure 1-265**



ITEM	PART NUMBER	QTY	LINE	SERIES	BODY	ENGINE	TRANS	TRIM	DESCRIPTION
------	-------------	-----	------	--------	------	--------	-------	------	-------------

NOTE; Not for use with OverRail Bedliners.

1									COVER KIT, Tonneau
	82208694	1			33				
	82208692	1			84				
2									COVER ASSY, Tonneau
	05161946AA	1			33				
	05161947AA	1			84				
3									CLAMP, Tonneau
	05161948AA	1			84				Front
		1			33				Front
	05161949AA	1			33				Middle
	05161950AA	1			84				Rear
		1			33				Rear
4									BOW, Tonneau Cover
	05161952AA	1			33				Set of 3
	05161953AA	1			84				Set of 2
5									RAIL, Tonneau Cover
	55364008AA	1			33				Right Side
	55364012AA	1			84				Right Side
6									RAIL, Tonneau Cover
	55364009AA	1			33				Left Side
	55364013AA	1			84				Left Side
7									RAIL, Tonneau Cover
	05161951AA	1			84				Tailgate, Rear
		1			33				Tailgate, Rear

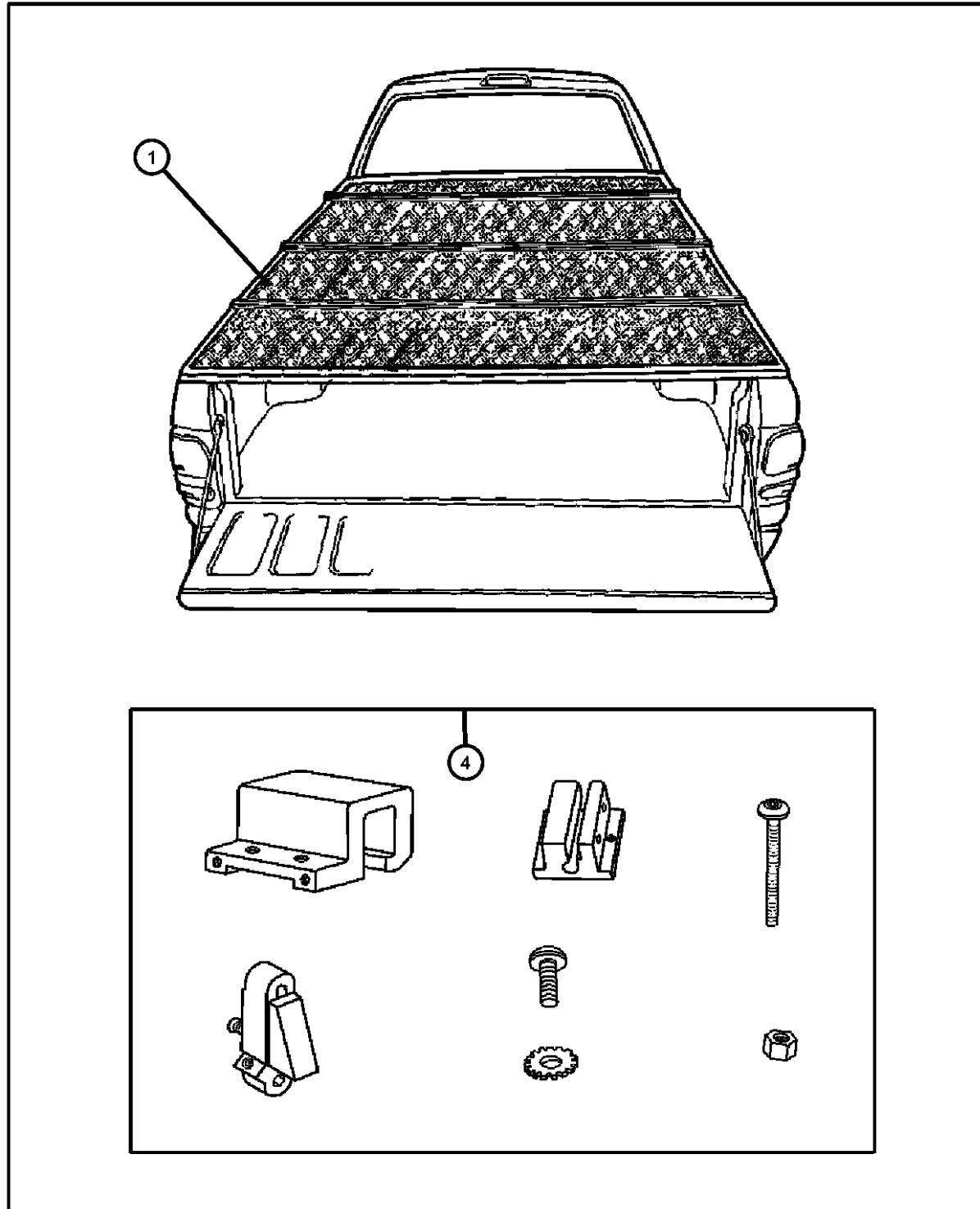
**DAKOTA (ND)**

SERIES	LINE	BODY	ENGINE	TRANSMISSION
H = HIGHLINE	1 = Lt. Duty DODGE 2WD	33 = CLUB\QUAD CAB 4-DR	EKG = 3.7L V6 Engine	DEJ = 6-Speed Manual Transmission
L = LOWLINE	5 = Lt. Duty DODGE 4WD	6.5 FT BOX	EVA = 4.7L V8 MPI Engine	DGQ = 5-Spd Automatic 545RFE
P = PREMIUM		84 = QUAD CAB	EVC = 4.7L High Output V8 MPI Engine	Transmission
			EVD = 4.7L V8 FFV Engine	DGV = 4-Spd. Automatic VLP 42RLE
				Trans

AR = use ase required - = Non illustrated part

2007 ND

**Cover Kit - Folding**  
**Figure 1-270**



ITEM	PART NUMBER	QTY	LINE	SERIES	BODY	ENGINE	TRANS	TRIM	DESCRIPTION
------	-------------	-----	------	--------	------	--------	-------	------	-------------

Note: 82208696 Requires Hardware Kit For Installation, Use Item#4

1									COVER KIT, Tonneau-Folding
	82208695	1			84				
	82208696	1			33				
-2	05018117AA	1			33				KEY & CYLINDER SET, KEY & CYLINDER SET-LOCK
-3	05018386AA	1			33				KEY, Master
4	82208697	1			33				HARDWARE KIT, Tonneau - Folding

**DAKOTA (ND)**

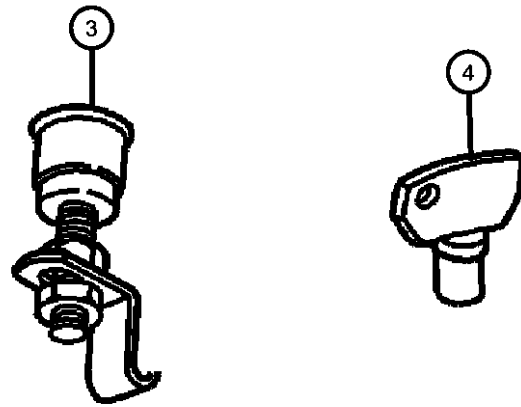
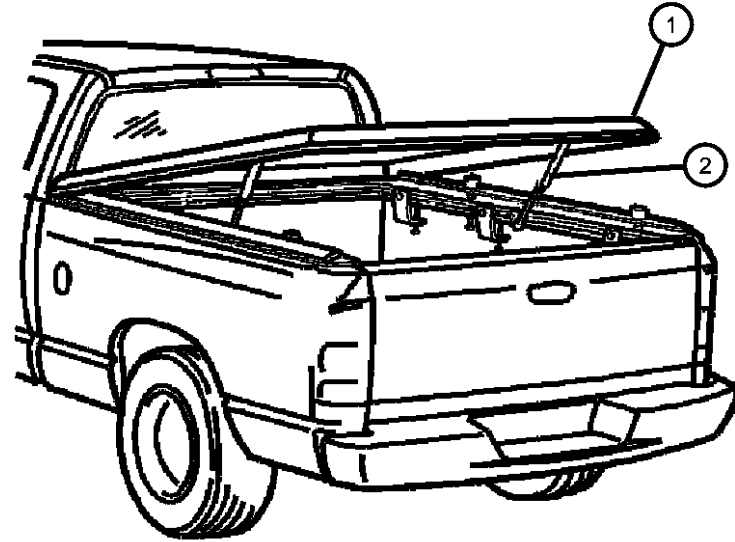
SERIES	LINE	BODY	ENGINE	TRANSMISSION
H = HIGHLINE	1 = Lt. Duty DODGE 2WD	33 = CLUB\QUAD CAB 4-DR	EKG = 3.7L V6 Engine	DEJ = 6-Speed Manual Transmission
L = LOWLINE	5 = Lt. Duty DODGE 4WD	6.5 FT BOX	EVA = 4.7L V8 MPI Engine	DGQ = 5-Spd Automatic 545RFE
P = PREMIUM		84 = QUAD CAB	EVC = 4.7L High Output V8 MPI Engine	Transmission
			EVD = 4.7L V8 FFV Engine	DGV = 4-Spd. Automatic VLP 42RLE
				Trans

AR = use ase required - = Non illustrated part

2007 ND



**Cover Kit - Tonneau Hard, One Piece**  
**Figure 1-275**



ITEM	PART NUMBER	QTY	LINE	SERIES	BODY	ENGINE	TRANS	TRIM	DESCRIPTION
1									COVER KIT, Tonneau-Hard
	82209149	1			84				Mineral Gray [PDM]
	82209150	1			84				Bright White [PW7]
	82209151	1			84				Flame Red [PR4]
	82209152	1			84				Patriot Blue [PBT]
	82209153	1			84				Bright Silver Metallic [PSB]
	82209157	1			33				Mineral Gray [PDM]
	82209158	1			33				Bright White [PW7]
	82209159	1			33				Flame Red [PR4]
	82209160	1			33				Patriot Blue [PBT]
	82209161	1			33				Bright Silver Metallic [PSB]
	82210343	1			33				Brilliant Black [AXR]
	82210344	1			84				Brilliant Black [AXR]
	82210345	1			84				Electric Blue [AB5]
	82210346	1			33				Electric Blue [AB5]
2	05018067AA	1			84				GAS PROP KIT, Tonneau-hard
3	05018117AA	1			84				KEY & CYLINDER SET, KEY & CYLINDER SET-LOCK
4	05018343AA	1			84				KEY, Master

**DAKOTA (ND)**

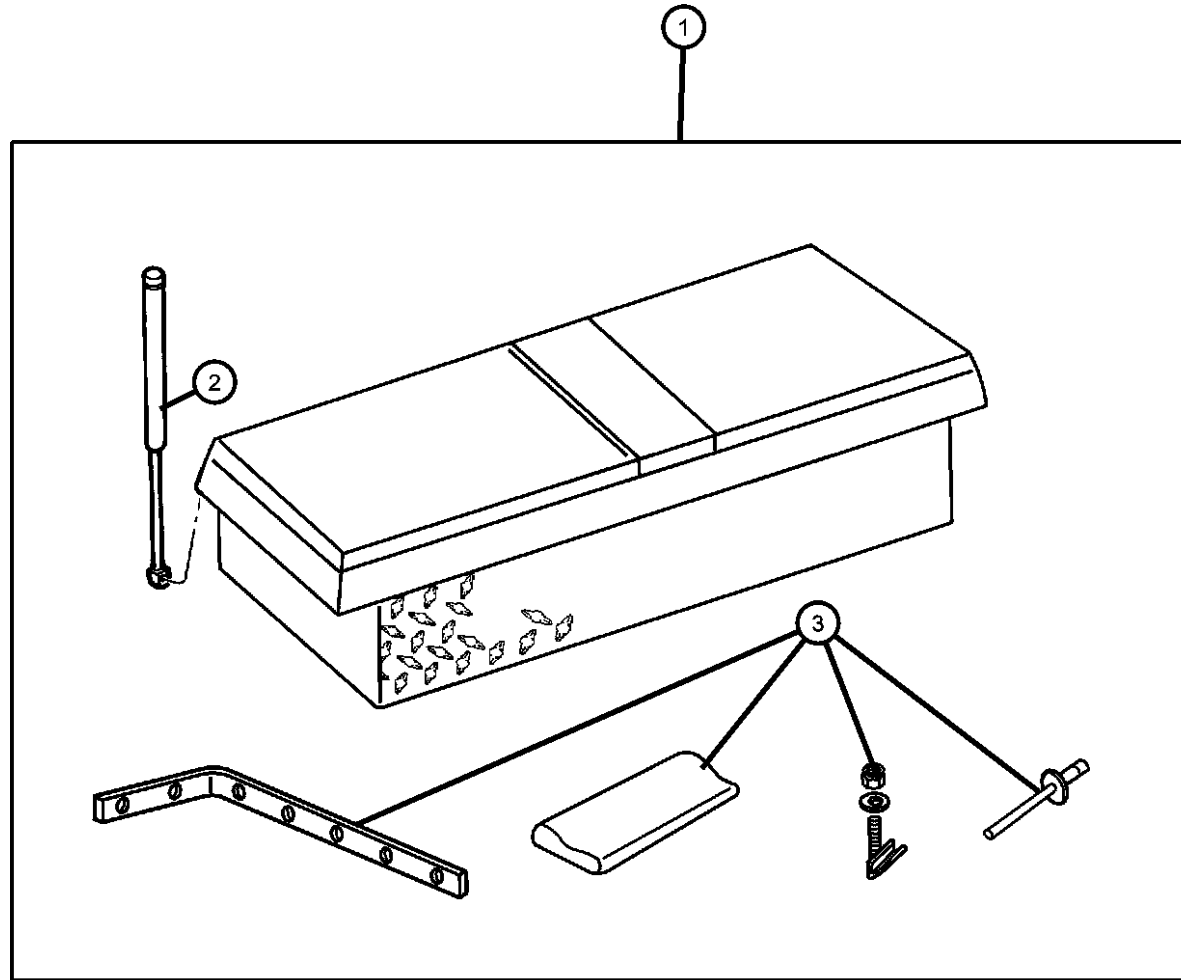
SERIES	LINE	BODY	ENGINE	TRANSMISSION
H = HIGHLINE	1 = Lt. Duty DODGE 2WD	33 = CLUB\QUAD CAB 4-DR	EKG = 3.7L V6 Engine	DEJ = 6-Speed Manual Transmission
L = LOWLINE	5 = Lt. Duty DODGE 4WD	6.5 FT BOX	EVA = 4.7L V8 MPI Engine	DGQ = 5-Spd Automatic 545RFE
P = PREMIUM		84 = QUAD CAB	EVC = 4.7L High Output V8 MPI Engine	Transmission
			EVD = 4.7L V8 FFV Engine	DGV = 4-Spd. Automatic VLP 42RLE
				Trans

AR = use ase required - = Non illustrated part

2007 ND

**Box Kit / Storage Box Exterior**  
**Figure 1-280**

ITEM	PART NUMBER	QTY	LINE	SERIES	BODY	ENGINE	TRANS	TRIM	DESCRIPTION
1	82202791	1							BOX KIT, Storage-Exterior Dual Lid
	82203111	1			33				Single Lid
2	05018533AA	1							STRUT, BOX
3	05018124AA	1							HARDWARE KIT, Storage Exterior, Contains: 2-Reinforcing Brackets, 4 J Clamp/Bolts,4 Washers,4 Lock Nuts & 14 Pop Rivets



**DAKOTA (ND)**

SERIES	LINE	BODY	ENGINE	TRANSMISSION
H = HIGHLINE	1 = Lt. Duty DODGE 2WD	33 = CLUB\QUAD CAB 4-DR	EKG = 3.7L V6 Engine	DEJ = 6-Speed Manual Transmission
L = LOWLINE	5 = Lt. Duty DODGE 4WD	6.5 FT BOX	EVA = 4.7L V8 MPI Engine	DGQ = 5-Spd Automatic 545RFE Transmission
P = PREMIUM		84 = QUAD CAB	EVC = 4.7L High Output V8 MPI Engine	DGV = 4-Spd. Automatic VLP 42RLE Trans
			EVD = 4.7L V8 FFV Engine	

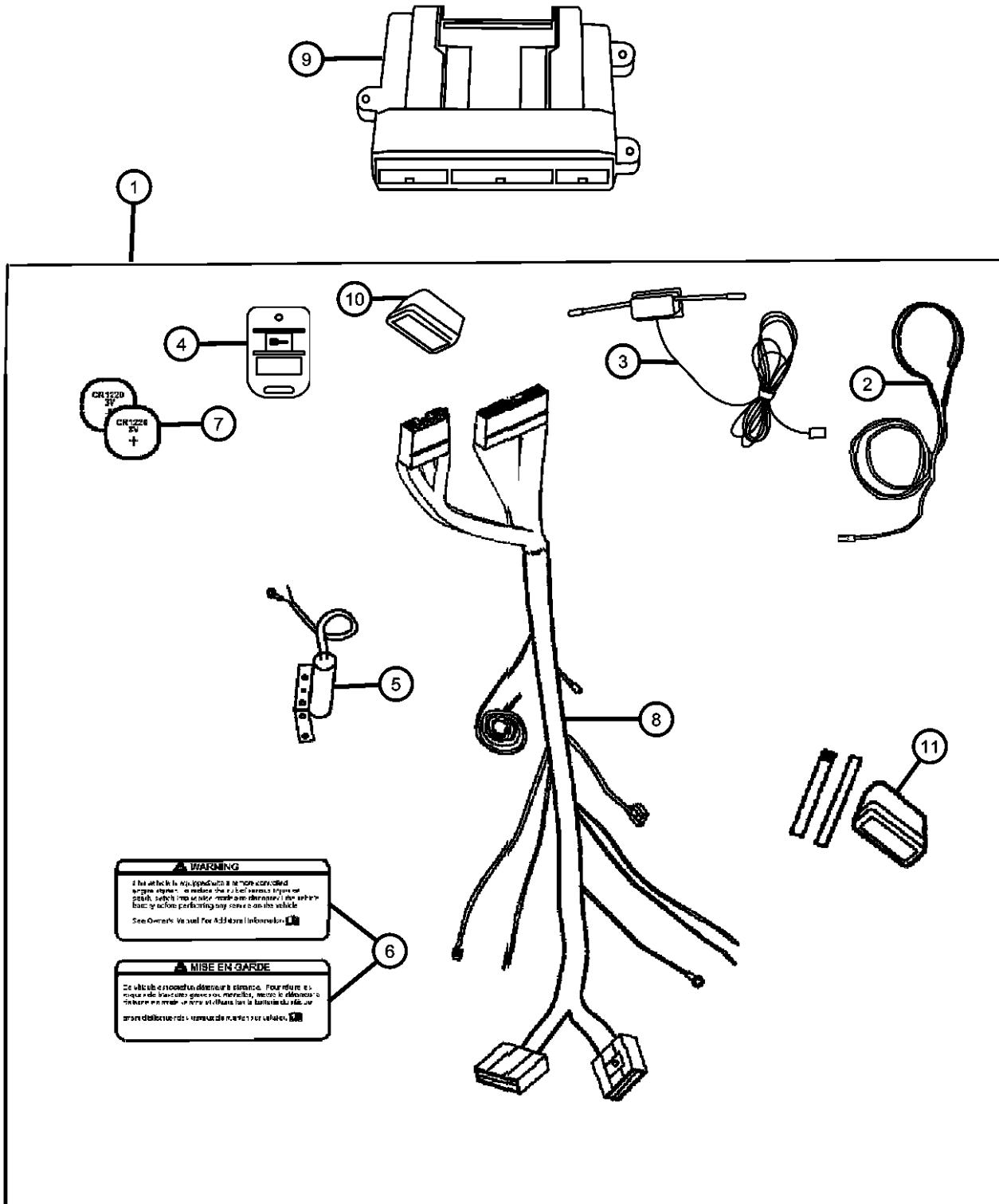
AR = use ase required - = Non illustrated part

Remote Start  
Figure 1-310

ITEM	PART NUMBER	QTY	LINE	SERIES	BODY	ENGINE	TRANS	TRIM	DESCRIPTION
------	-------------	-----	------	--------	------	--------	-------	------	-------------

NOTE: Module (Item #9) not included in install kit, need to order separately.

1	82210636AG	1							INSTALL KIT, REMOTE START
2	05140470AA	1							ANTENNA
3	05140471AA	1							ANTENNA
4	05140472AA	1							TRANSMITTER
5	68001331AA	1							SWITCH
6	05140474AA	1							LABEL
7	05140773AA	1							BATTERY, Transmitter, Contains: 12 Replacement Batteries
8	68021199AA	1							HARNESS, Wiring
9	82208859AB	1							MODULE KIT, REMOTE START
10	68021198AA	1							MODULE, Remote Start
11	05140468AA	1							MODULE



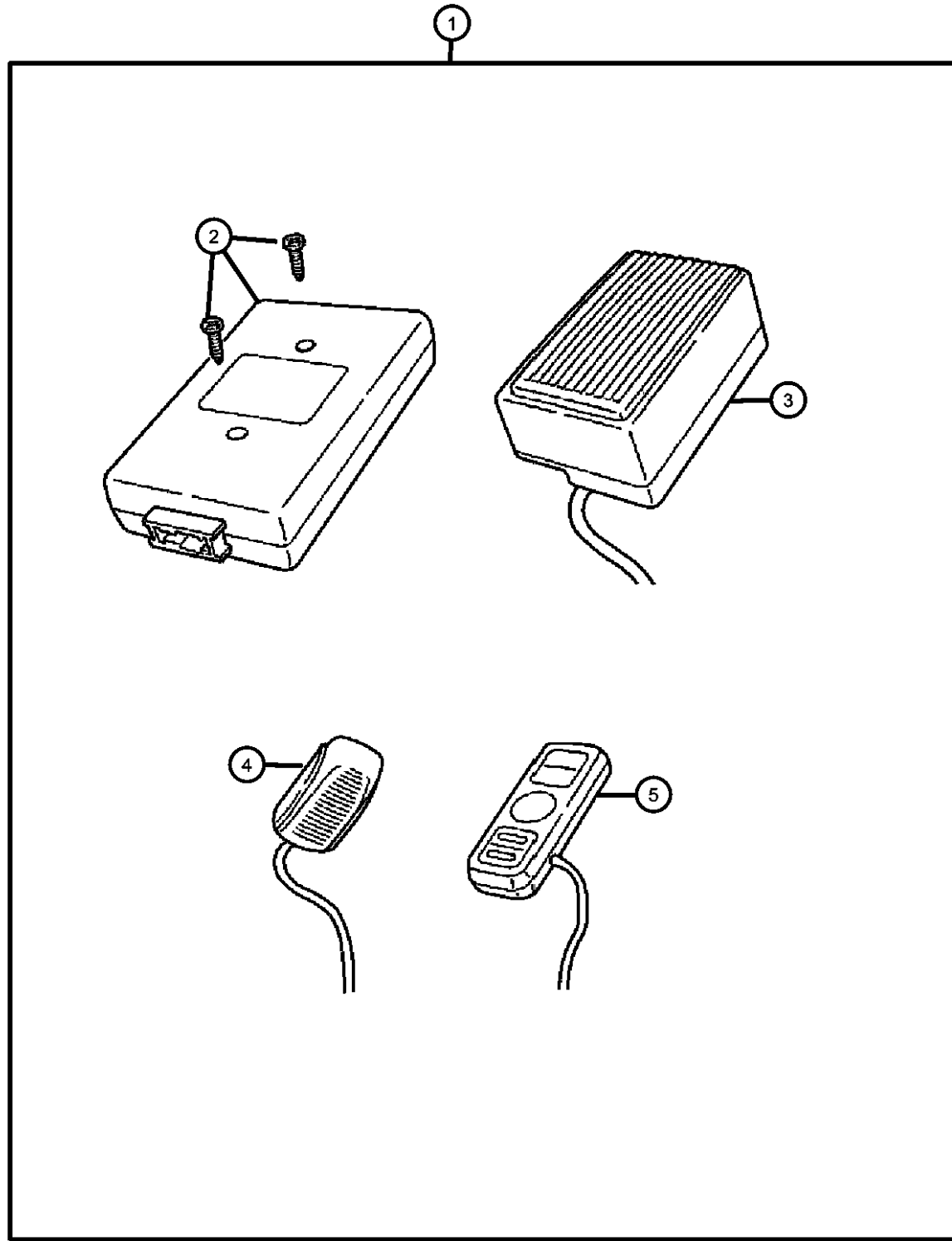
DAKOTA (ND)

SERIES	LINE	BODY	ENGINE	TRANSMISSION
H = HIGHLINE	1 = Lt. Duty DODGE 2WD	33 = CLUB\QUAD CAB 4-DR	EKG = 3.7L V6 Engine	DEJ = 6-Speed Manual Transmission
L = LOWLINE	5 = Lt. Duty DODGE 4WD	6.5 FT BOX	EVA = 4.7L V8 MPI Engine	DGQ = 5-Spd Automatic 545RFE
P = PREMIUM		84 = QUAD CAB	EVC = 4.7L High Output V8 MPI Engine	Transmission
			EVD = 4.7L V8 FFV Engine	DGV = 4-Spd. Automatic VLP 42RLE
				Trans

AR = use ase required - = Non illustrated part

2007 ND

Hands Free Kit/Cellular Phone Blue Tooth  
Figure 1-320



ITEM	PART NUMBER	QTY	LINE	SERIES	BODY	ENGINE	TRANS	TRIM	DESCRIPTION
1	82207853AE	1							HANDS FREE KIT, Cellular Phone
2	05114359AD	1							MODULE, U Connect
3	05102026AA	1							SPEAKER, Front
4	05102025AA	1							MICROPHONE, Audio
5	05102027AA	1							CONTROLLER, Audio
-6	05191830AA	1							HARNESS

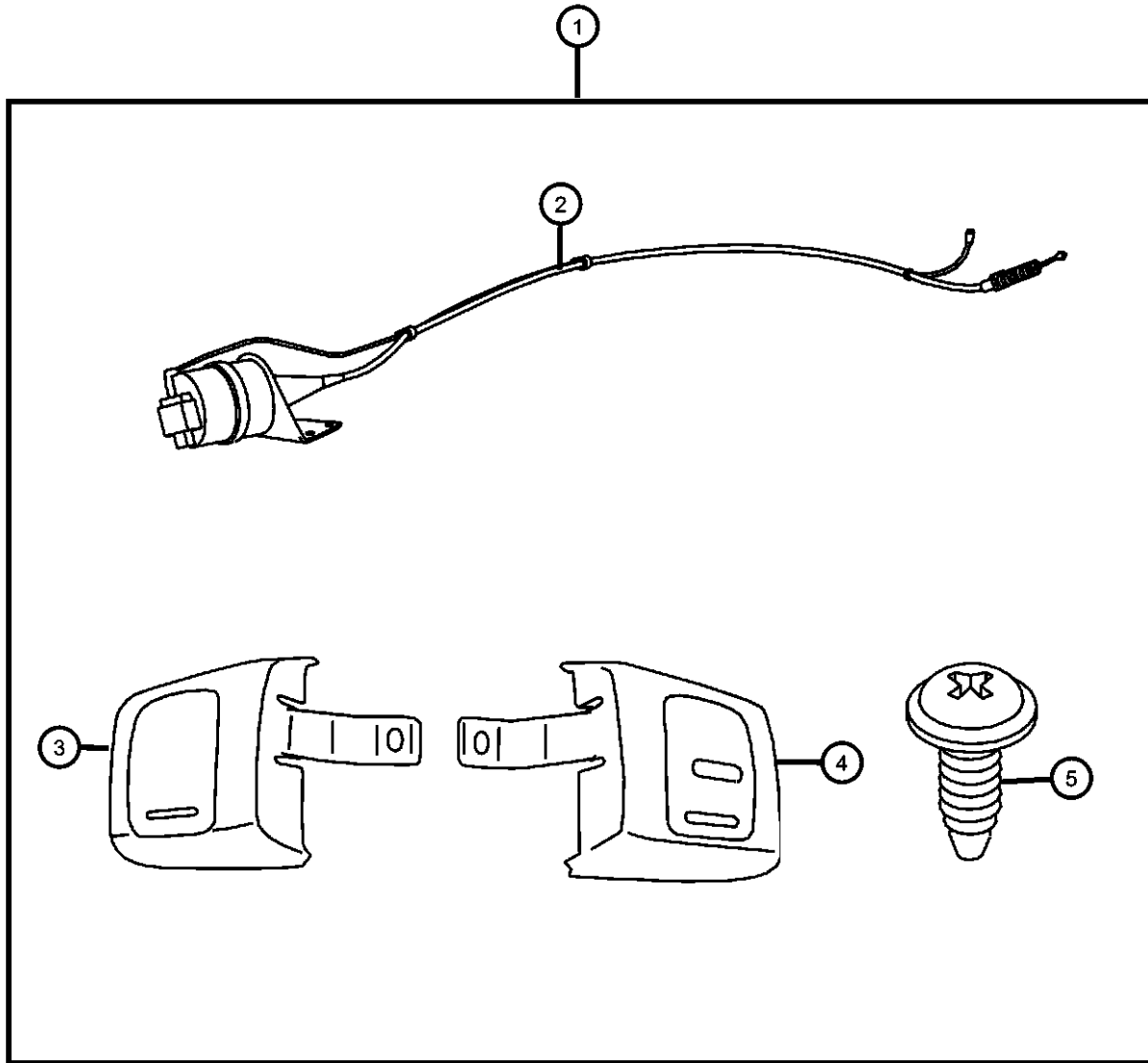
DAKOTA (ND)

SERIES	LINE	BODY	ENGINE	TRANSMISSION
H = HIGHLINE	1 = Lt. Duty DODGE 2WD	33 = CLUB\QUAD CAB 4-DR	EKG = 3.7L V6 Engine	DEJ = 6-Speed Manual Transmission
L = LOWLINE	5 = Lt. Duty DODGE 4WD	6.5 FT BOX	EVA = 4.7L V8 MPI Engine	DGQ = 5-Spd Automatic 545RFE
P = PREMIUM		84 = QUAD CAB	EVC = 4.7L High Output V8 MPI Engine	Transmission
			EVD = 4.7L V8 FFV Engine	DGV = 4-Spd. Automatic VLP 42RLE Trans

AR = use ase required - = Non illustrated part

**Speed Control  
Figure 1-330**

ITEM	PART NUMBER	QTY	LINE	SERIES	BODY	ENGINE	TRANS	TRIM	DESCRIPTION
1	82209241	1							CONTROL PACKAGE, Speed Control
2	82209241	1							SERVO, Speed Control, (NOT SERVICED)
3	56049379AC	1							SWITCH, Speed Control
4	56049378AD	1							SWITCH, Speed Control
5	06035625	1							SCREW, Quantity of 3



**DAKOTA (ND)**

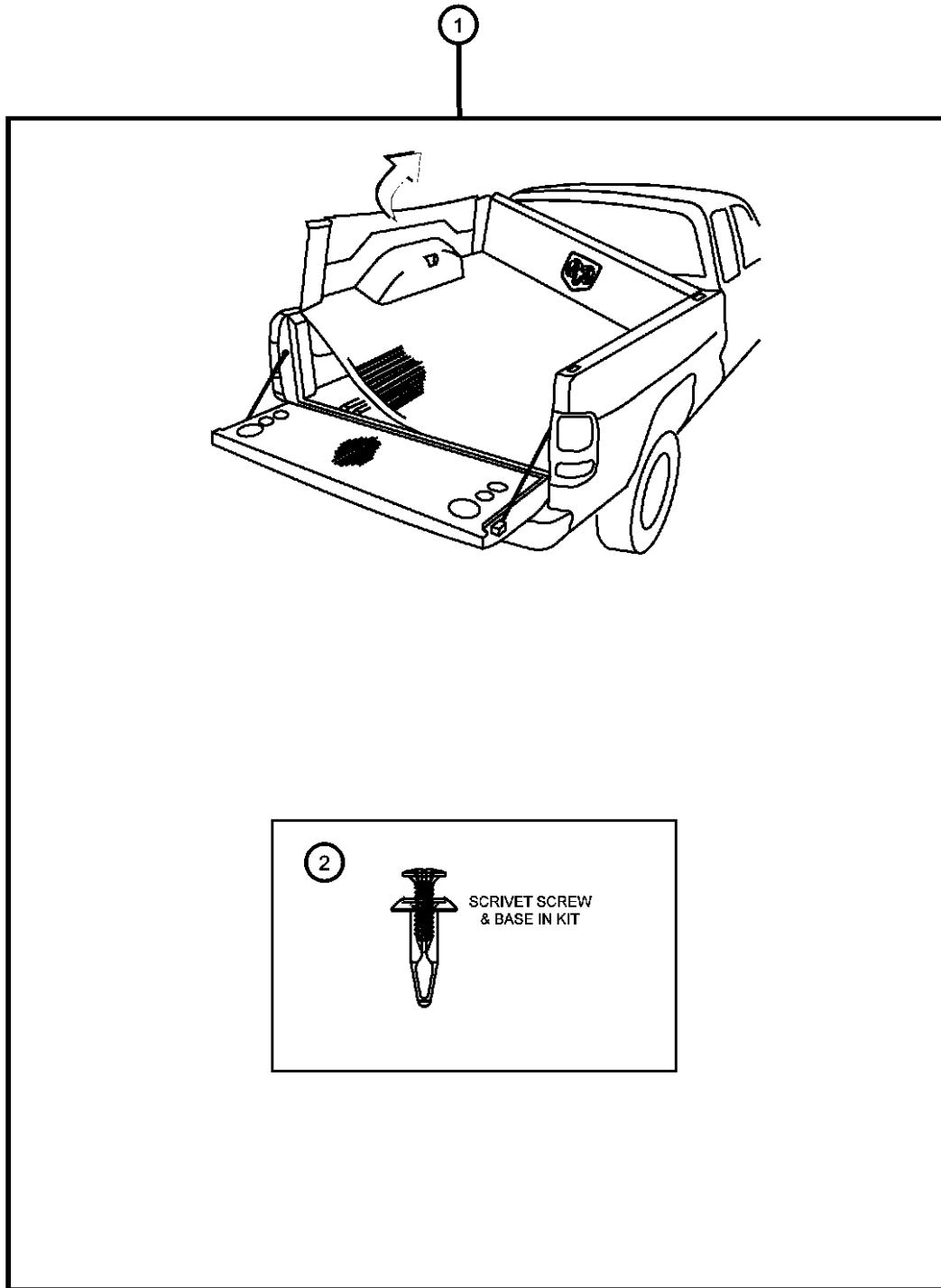
SERIES	LINE	BODY	ENGINE	TRANSMISSION
H = HIGHLINE	1 = Lt. Duty DODGE 2WD	33 = CLUB\QUAD CAB 4-DR	EKG = 3.7L V6 Engine	DEJ = 6-Speed Manual Transmission
L = LOWLINE	5 = Lt. Duty DODGE 4WD	6.5 FT BOX	EVA = 4.7L V8 MPI Engine	DGQ = 5-Spd Automatic 545RFE Transmission
P = PREMIUM		84 = QUAD CAB	EVC = 4.7L High Output V8 MPI Engine	DGV = 4-Spd. Automatic VLP 42RLE Trans
			EVD = 4.7L V8 FFV Engine	

AR = use ase required - = Non illustrated part

2007 ND

**Bedliner Kit - Under Rail**  
**Figure 1-410**

ITEM	PART NUMBER	QTY	LINE	SERIES	BODY	ENGINE	TRANS	TRIM	DESCRIPTION
1									BEDLINER KIT, Under Rail
	82209118	1			33				
	82209120	1			84				
2									INSTALL KIT, Bedliner - Under Rail
	05161012AA	1			33				
		1			84				

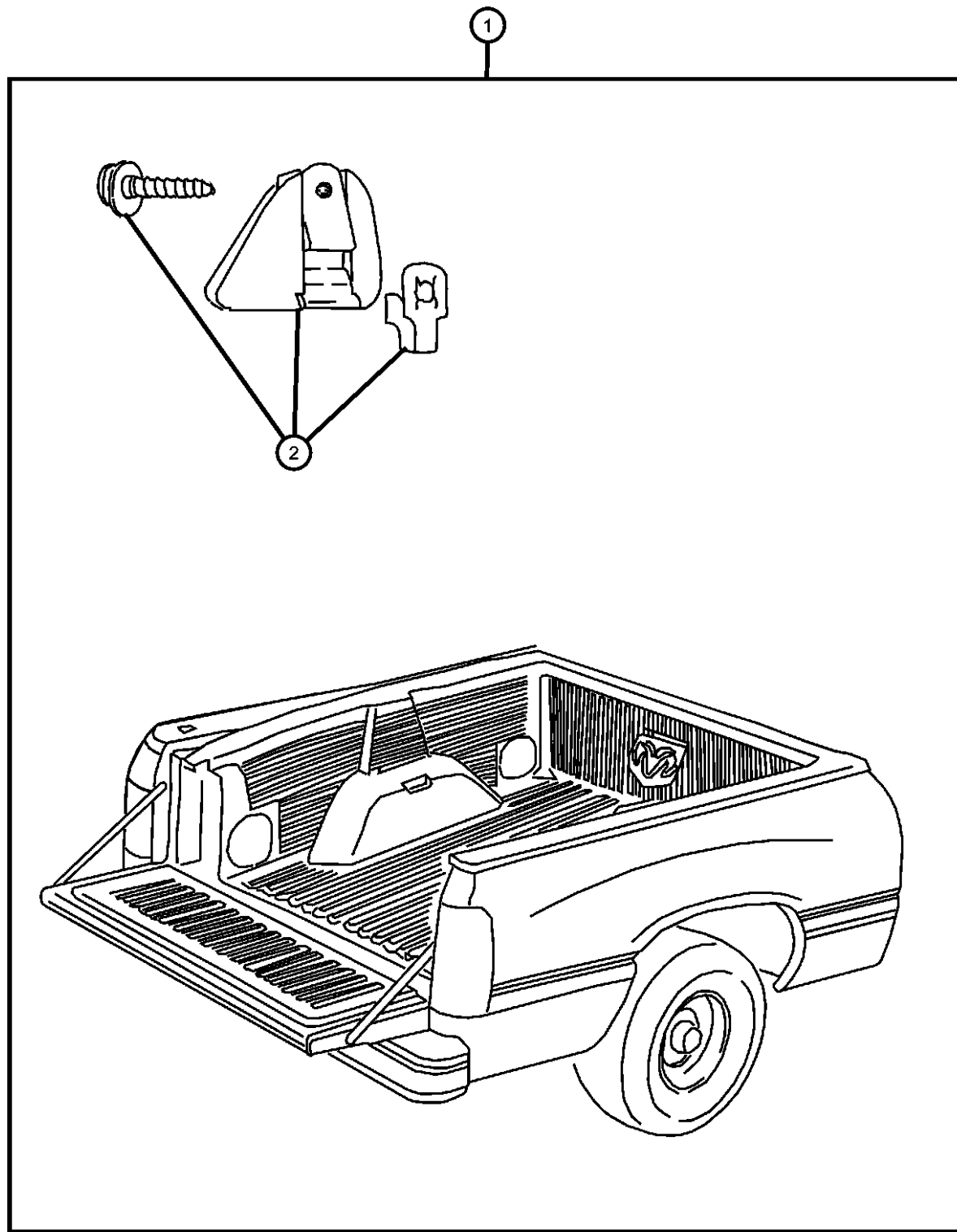


DAKOTA (ND)		BODY	ENGINE	TRANSMISSION
SERIES	LINE			
H = HIGHLINE	1 = Lt. Duty DODGE 2WD	33 = CLUB\QUAD CAB 4-DR	EKG = 3.7L V6 Engine	DEJ = 6-Speed Manual Transmission
L = LOWLINE	5 = Lt. Duty DODGE 4WD	6.5 FT BOX	EVA = 4.7L V8 MPI Engine	DGQ = 5-Spd Automatic 545RFE
P = PREMIUM		84 = QUAD CAB	EVC = 4.7L High Output V8 MPI Engine	Transmission
			EVD = 4.7L V8 FFV Engine	DGV = 4-Spd. Automatic VLP 42RLE
				Trans

AR = use ase required - = Non illustrated part

2007 ND

**Bedliner Kit - Over Rail**  
**Figure 1-415**



ITEM	PART NUMBER	QTY	LINE	SERIES	BODY	ENGINE	TRANS	TRIM	DESCRIPTION
1	82209115	1			33				BEDLINER KIT, Over Rail
2	05011300AA	1			33				INSTALL KIT, Bedliner - Over Rail

**DAKOTA (ND)**

**SERIES**

H = HIGHLINE  
 L = LOWLINE  
 P = PREMIUM

**LINE**

1 = Lt. Duty DODGE 2WD  
 5 = Lt. Duty DODGE 4WD

**BODY**

33 = CLUB\QUAD CAB 4-DR  
 6.5 FT BOX  
 84 = QUAD CAB

**ENGINE**

EKG = 3.7L V6 Engine  
 EVA = 4.7L V8 MPI Engine  
 EVC = 4.7L High Output V8  
 MPI Engine  
 EVD = 4.7L V8 FFV Engine

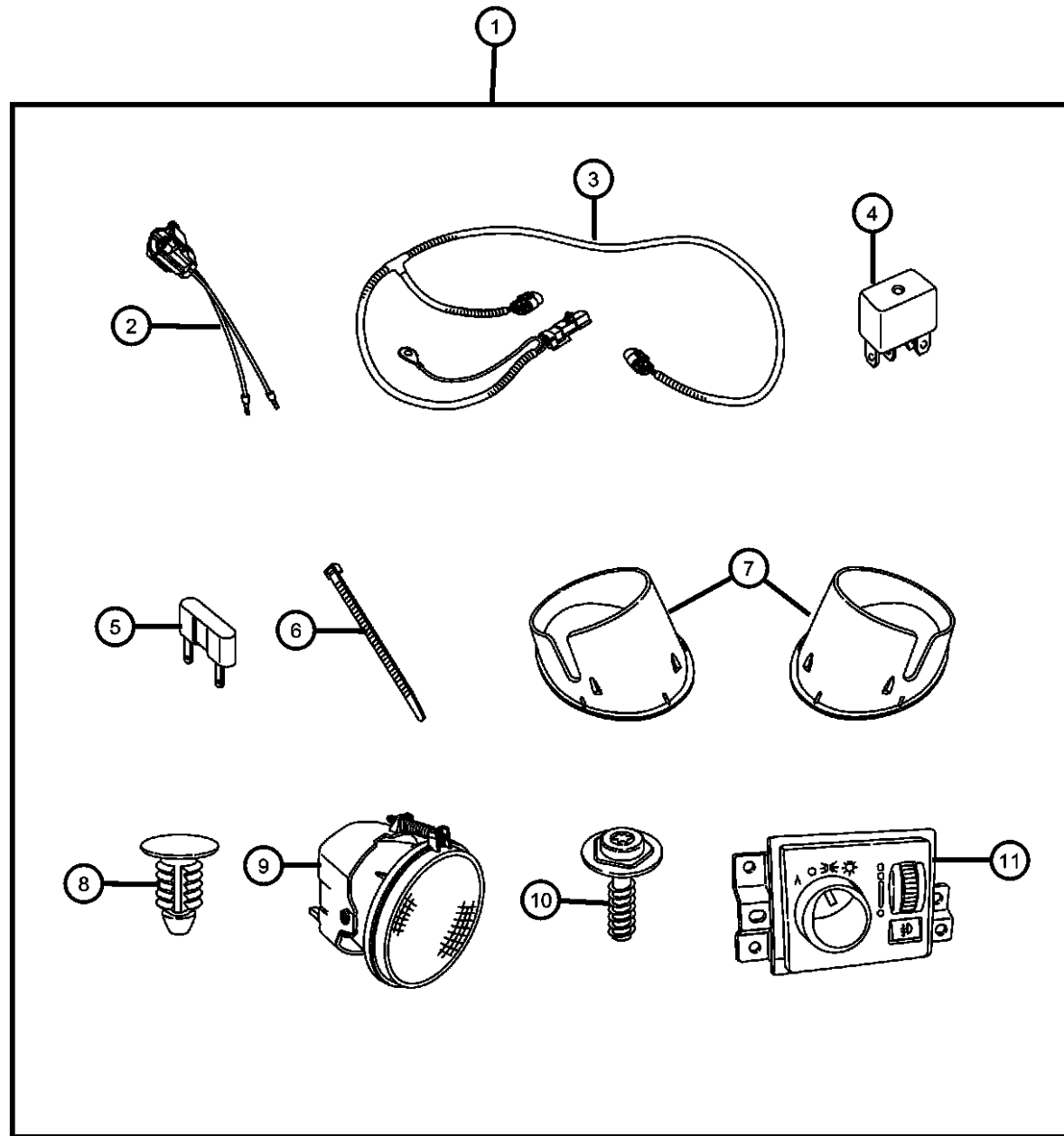
**TRANSMISSION**

DEJ = 6-Speed Manual Transmission  
 DGQ = 5-Spd Automatic 545RFE  
 Transmission  
 DGV = 4-Spd. Automatic VLP 42RLE  
 Trans

AR = use ase required - = Non illustrated part

2007 ND

Light Kit - Fog  
Figure 1-610



ITEM	PART NUMBER	QTY	LINE	SERIES	BODY	ENGINE	TRANS	TRIM	DESCRIPTION
1	82209046	1							LIGHT KIT, Fog
2	82209046	1							HARNESS, (NOT SERVICED)
3	05166846AA	1							HARNESS, Overlay
4	56049018AB	1							RELAY, Micro
5	000ATM20	15	1		33, 84				FUSE, Mini, 20 AMP, Yellow
6	06016155	1							STRAP, Tie, Quantity of 5
7	05170828AA	1							BEZEL KIT, FogRight And Left
8	04658673	1							PIN PUSH, .150x.410, Quantity of 6
9	04805859AA	1							LAMP, Fog, Quantity of 2
10	06506579AA	1							SCREW, Tapping, Quantity of 4
11	56049637AC	1							SWITCH, Headlamp

DAKOTA (ND)

SERIES	LINE	BODY	ENGINE	TRANSMISSION
H = HIGHLINE	1 = Lt. Duty DODGE 2WD	33 = CLUB\QUAD CAB 4-DR	EKG = 3.7L V6 Engine	DEJ = 6-Speed Manual Transmission
L = LOWLINE	5 = Lt. Duty DODGE 4WD	6.5 FT BOX	EVA = 4.7L V8 MPI Engine	DGQ = 5-Spd Automatic 545RFE
P = PREMIUM		84 = QUAD CAB	EVC = 4.7L High Output V8 MPI Engine	Transmission
			EVD = 4.7L V8 FFV Engine	DGV = 4-Spd. Automatic VLP 42RLE
				Trans

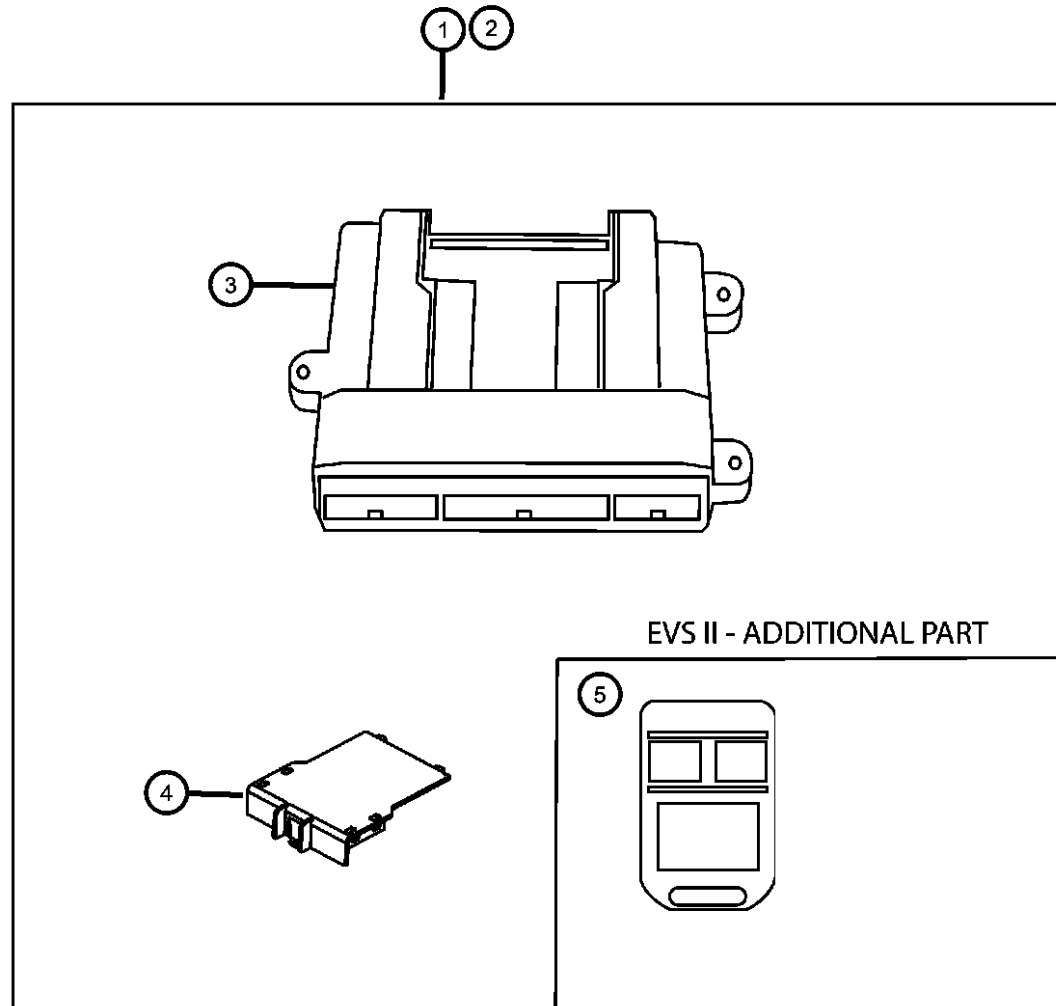
AR = use ase required - = Non illustrated part

2007 ND



**Alarm Kit  
Figure 1-910**

ITEM	PART NUMBER	QTY	LINE	SERIES	BODY	ENGINE	TRANS	TRIM	DESCRIPTION
1	82210637	1							ALARM KIT, Security with Keyless, EVS I
2	82210638	1							ALARM KIT, Security with Keyless, EVS II
3	05140464AA	1							MODULE, Remote Start
4	05189810AA	1							MODULE, Security Alarm
5	05189809AA	1							TRANSMITTER
-6	04636141	1							BATTERY, Transmitter



**DAKOTA (ND)**

SERIES	LINE	BODY	ENGINE	TRANSMISSION
H = HIGHLINE	1 = Lt. Duty DODGE 2WD	33 = CLUB\QUAD CAB 4-DR	EKG = 3.7L V6 Engine	DEJ = 6-Speed Manual Transmission
L = LOWLINE	5 = Lt. Duty DODGE 4WD	6.5 FT BOX	EVA = 4.7L V8 MPI Engine	DGQ = 5-Spd Automatic 545RFE Transmission
P = PREMIUM		84 = QUAD CAB	EVC = 4.7L High Output V8 MPI Engine	DGV = 4-Spd. Automatic VLP 42RLE Trans
			EVD = 4.7L V8 FFV Engine	

AR = use ase required - = Non illustrated part

# Group - 2

## Front Suspension & Drive

### Group - 2 Front Suspension & Drive

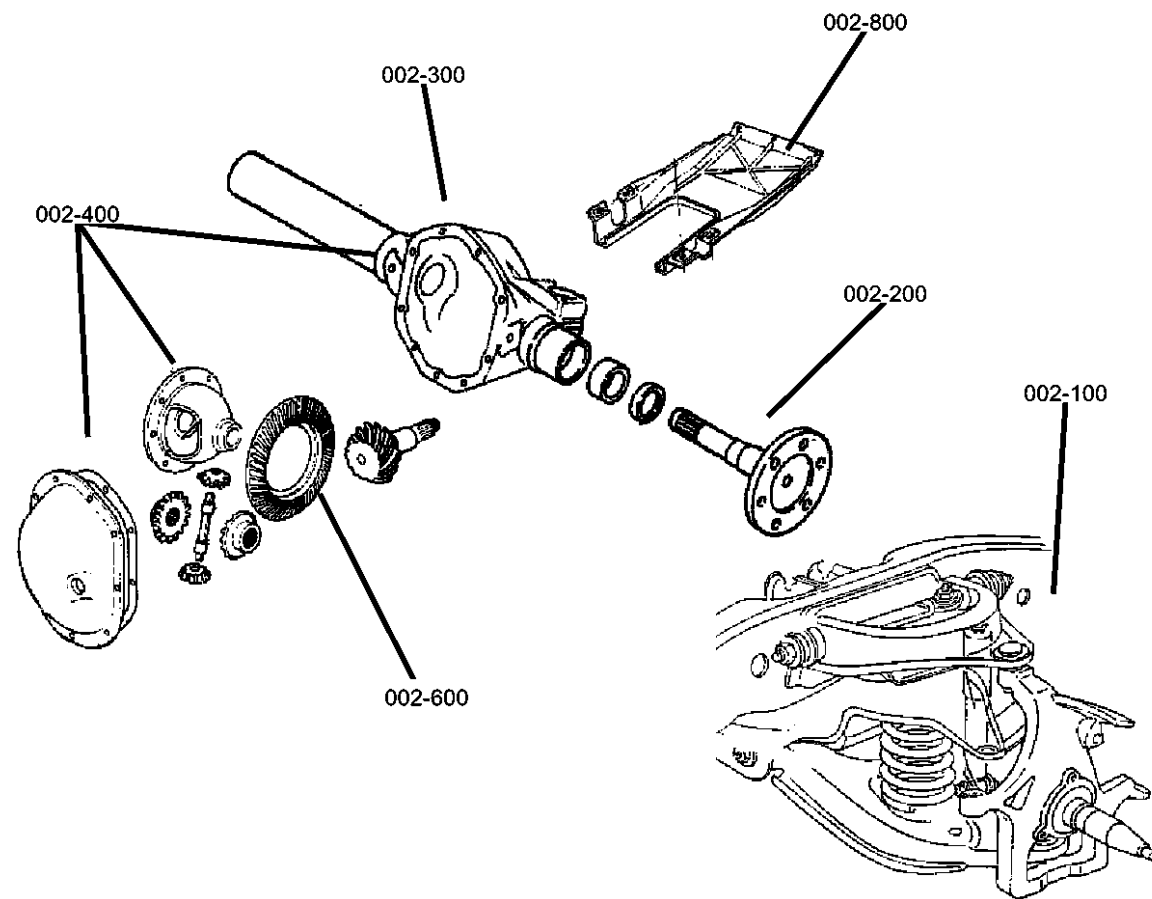


Illustration Title

Group-Fig. No.

#### Front Suspension

Control Arms, Spring, Shock, Knuckle .....	Fig. 2 - 110
Stabilizer Bar, Front .....	Fig. 2 - 120

#### Front Axle Drive Shafts

Shaft, Front Drive Axle .....	Fig. 2 - 210
-------------------------------	--------------

#### Front Axle Housing

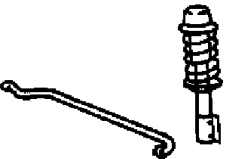

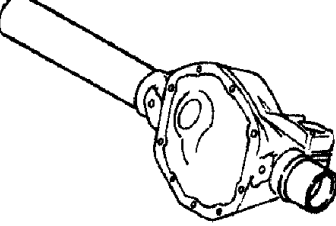
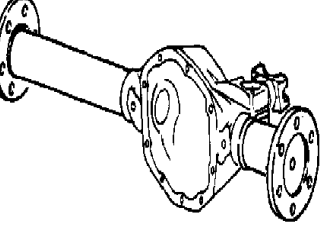
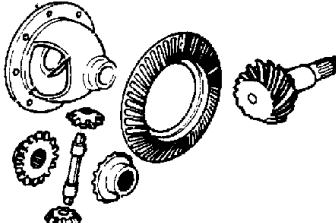
Housing, Front Axle .....	Fig. 2 - 310
---------------------------	--------------

#### Front Axle Assembly

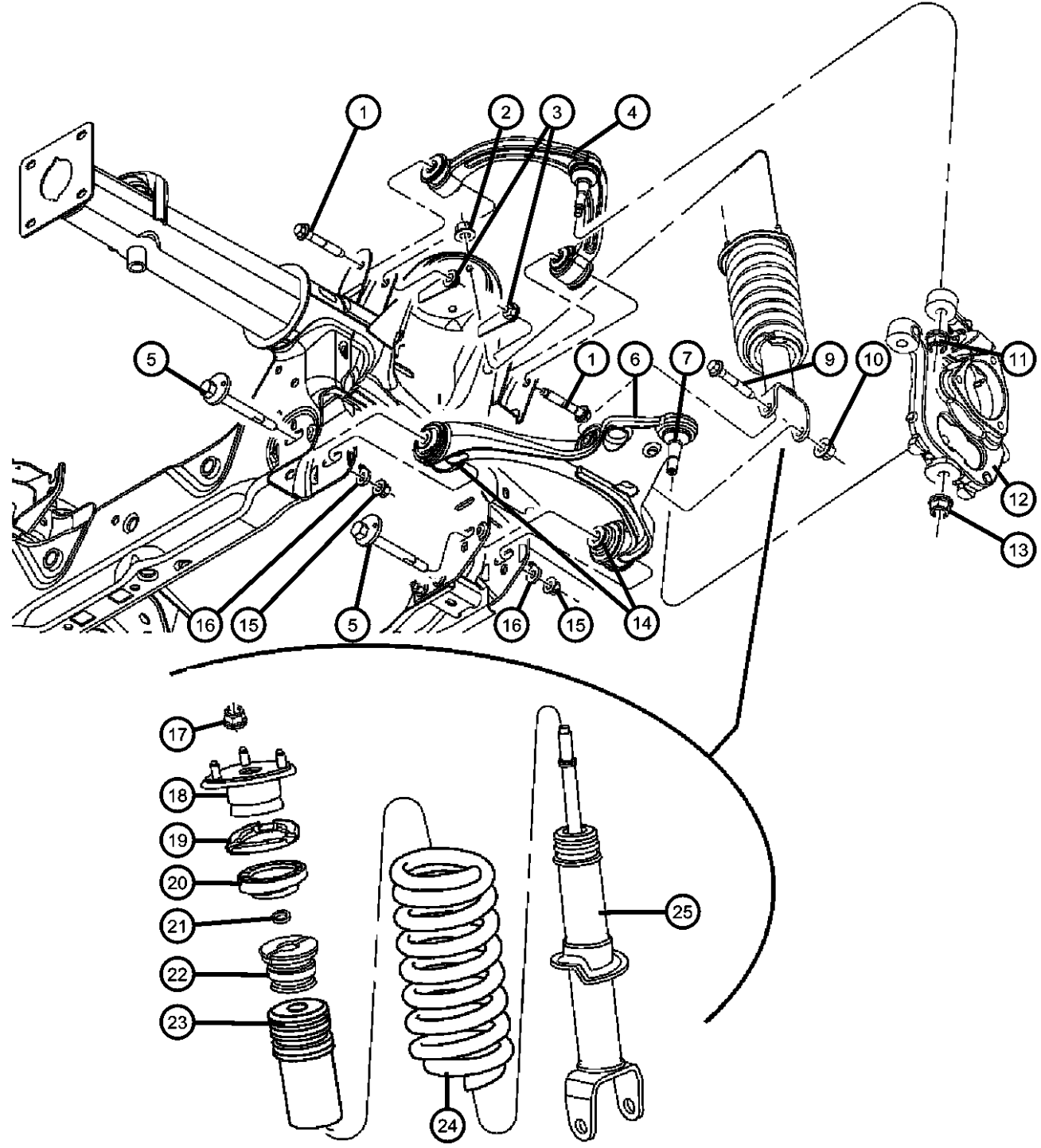
Axle Assembly, Front .....	Fig. 2 - 410
----------------------------	--------------

#### Front Axle Differential

Differential, Front Axle .....	Fig. 2 - 610
--------------------------------	--------------

<p><b>002-100</b> Front Suspension</p> 	<p><b>002-200</b> Front Axle Drive Shafts</p> 	<p><b>002-300</b> Front Axle Housing</p> 	<p><b>002-400</b> Front Axle Assembly</p> 
<p><b>002-600</b> Front Axle Differential</p> 			

**Control Arms, Spring, Shock, Knuckle**  
**Figure 2-110**

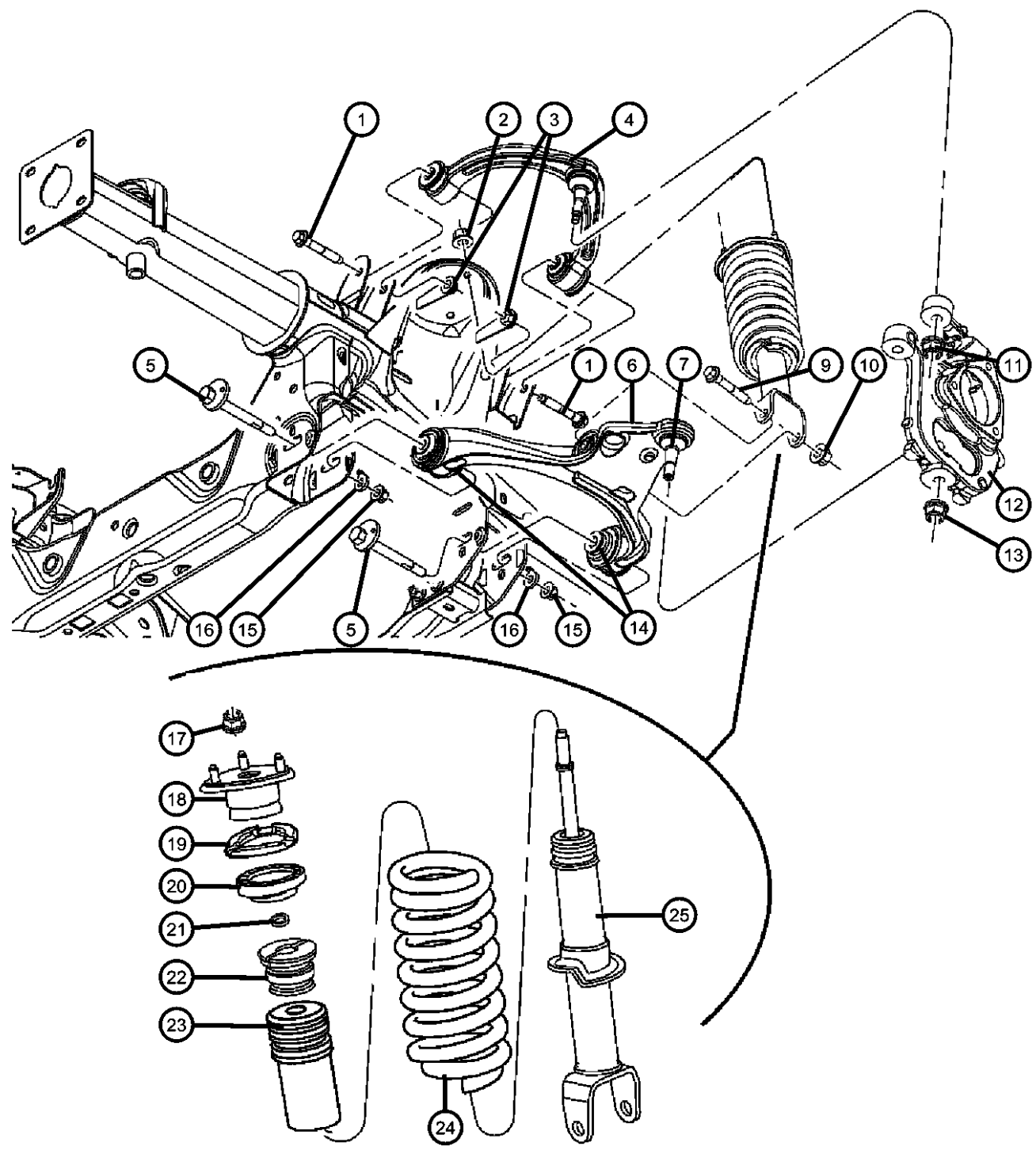


ITEM	PART NUMBER	QTY	LINE	SERIES	BODY	ENGINE	TRANS	TRIM	DESCRIPTION
Note: Sales Codes ; The 'Z' Spring/Shock Sales Codes will be Found on Vehicle Identification Number [VIN] Sales Code Listing									
1	06507654AA	4	1, 5		33, 84				BOLT, Hex Flange Head, UCA to Frame, Mounting
2	06502696	6	1, 5		33, 84				NUT, Hex Flange Lock, M14x1.50, Shock Mount to Frame, Mounting
3	06508175AA	4	1, 5		33, 84				LOCK NUT, M14-2.00, UCA to Frame, Mounting
4	52855100AD	2	1, 5		33, 84				ARM, Upper Control, FrontRight or Left
5	06508484AA	4	1, 5		33, 84				SCREW, Hex Flange Head, LCA to Frame, Mounting
6									ARM, Lower Control, Front
	52855106AB	1	1, 5		33, 84				With 3 Bushings, Right
	52855107AB	1	1, 5		33, 84				With 3 Bushings, Left
7	05161685AB	1	1, 5		33, 84				BALL JOINT PACKAGE, Lower Control Arm, With Snap Ring, Right or Left
-8	05161418AA	1	1, 5		33, 84				RING, Ball Joint
9	06508351AA	2	1, 5		33, 84				BOLT, Hex Flange Head, Shock to LCA, Mounting
10	06102252AA	2	1, 5		33, 84				NUT, Hex Flange Lock, Shock to LCA, Mounting
11	06505623AA	2							NUT AND WASHER, UCA Ball Joint to Knuckle, Mounting
12									KNUCKLE, Front
	52855116AA	1	1, 5		33, 84				Right
	52855117AA	1	1, 5		33, 84				Left
13	06505682AA	2							NUT, Hex Flange Lock, M16x1.5, LCA Ball Joint to Knuckle, Mounting
14									BUSHING, Control Arm
	52855112AB	1	1, 5		33, 84				To Frame, Front
	52855113AB	1							To Frame, Rear
15	06508318AA	4	1, 5		33, 84				NUT, LCA to Frame, Mounting
16	06508320AA	4	1, 5		33, 84				WASHER, Control Arm, LCA to Frame, Mounting
17	06506276AA	1	1, 5		33, 84				NUT, Hex Flange Lock, M12x1.75, Upper Shock, Mounting
18	52013484AC	1	1, 5		33, 84				MOUNT, Shock Upper
19	55366387AA	1	1, 5		33, 84				ISOLATOR, Spring, Rubber
20	55366975AA	1	1, 5		33, 84				ISOLATOR, Spring Seat, Plastic
21	52013672AA	1	1, 5		33, 84				COLLAR, Shock Absorber

<b>DAKOTA (ND)</b>				
SERIES	LINE	BODY	ENGINE	TRANSMISSION
H = HIGHLINE	1 = Lt. Duty DODGE 2WD	33 = CLUB\QUAD CAB 4-DR	EKG = 3.7L V6 Engine	DEJ = 6-Speed Manual Transmission
L = LOWLINE	5 = Lt. Duty DODGE 4WD	6.5 FT BOX	EVA = 4.7L V8 MPI Engine	DGQ = 5-Spd Automatic 545RFE
P = PREMIUM		84 = QUAD CAB	EVC = 4.7L High Output V8 MPI Engine	Transmission
			EVD = 4.7L V8 FFV Engine	DGV = 4-Spd. Automatic VLP 42RLE
				Trans

AR = use ase required - = Non illustrated part

Control Arms, Spring, Shock, Knuckle  
Figure 2-110



ITEM	PART NUMBER	QTY	LINE	SERIES	BODY	ENGINE	TRANS	TRIM	DESCRIPTION
22	52013486AA	1	1, 5		33, 84				GROMMET, Shock Absorber
23	52013485AA	1	1, 5		33, 84				SHIELD, Shock Absorber Dust
24									SPRING, Front Coil
	52855670AB	1	1, 5		33, 84				[ZBF,ZCA,ZPF,ZRA]
	52855671AB	1	1, 5		33, 84				[ZBG,ZBJ,ZCB,ZEA,ZPG,ZPJ,ZRB,
	52855672AB	1	1, 5		33, 84				[ZBH,ZBK,ZCC,ZCE,ZEB,ZEF,ZPH,
	52855673AB	1	1, 5		84, 33				[ZBL,ZCD,ZCF,ZEC,ZEG,ZPL,ZRD,
	52855674AB	1	1, 5		33, 84				[ZBM,ZCG,ZED,ZEH,ZPM,ZRG,ZTD,
	52855675AB	1	1, 5		33, 84				[ZCH,ZEE,ZEJ,ZRH,ZTE,ZTJ]
25									SHOCK ABSORBER PACKAGE, Suspension, Front
	05174563AE	1	1, 5		33, 84				[ZCA,ZCB,ZCC,ZCD,ZRA,ZRB,ZRC,
	05174564AE	1	1, 5		33, 84				[ZCE,ZCF,ZCG,ZCH,ZRE,ZRF,ZRG,
	05175435AE	1	1, 5		33, 84				[ZBF,ZBG,ZBH,ZPF,ZPG,ZPH]
	05175436AE	1	1, 5		33, 84				[ZEF,ZEG,ZEH,ZEJ,ZTF,ZTG,ZTH,Z
	05175437AE	1	1, 5		33, 84				[ZBJ,ZBK,ZBL,ZBM,ZPJ,ZPK,ZPL,Z
	05183932AC	1	1, 5		33, 84				[ZEA,ZEB,ZEC,ZED,ZEE,ZTA,ZTB,Z

<b>DAKOTA (ND)</b>			
SERIES	LINE	BODY	ENGINE
H = HIGHLINE	1 = Lt. Duty DODGE 2WD	33 = CLUB\QUAD CAB 4-DR	EKG = 3.7L V6 Engine
L = LOWLINE	5 = Lt. Duty DODGE 4WD	6.5 FT BOX	EVA = 4.7L V8 MPI Engine
P = PREMIUM		84 = QUAD CAB	EVC = 4.7L High Output V8 MPI Engine
			EVD = 4.7L V8 FFV Engine
			TRANSMISSION
			DEJ = 6-Speed Manual Transmission
			DGQ = 5-Spd Automatic 545RFE
			Transmission
			DGV = 4-Spd. Automatic VLP 42RLE
			Trans

AR = use ase required - = Non illustrated part