

VIN PLATE DECODING INFORMATION

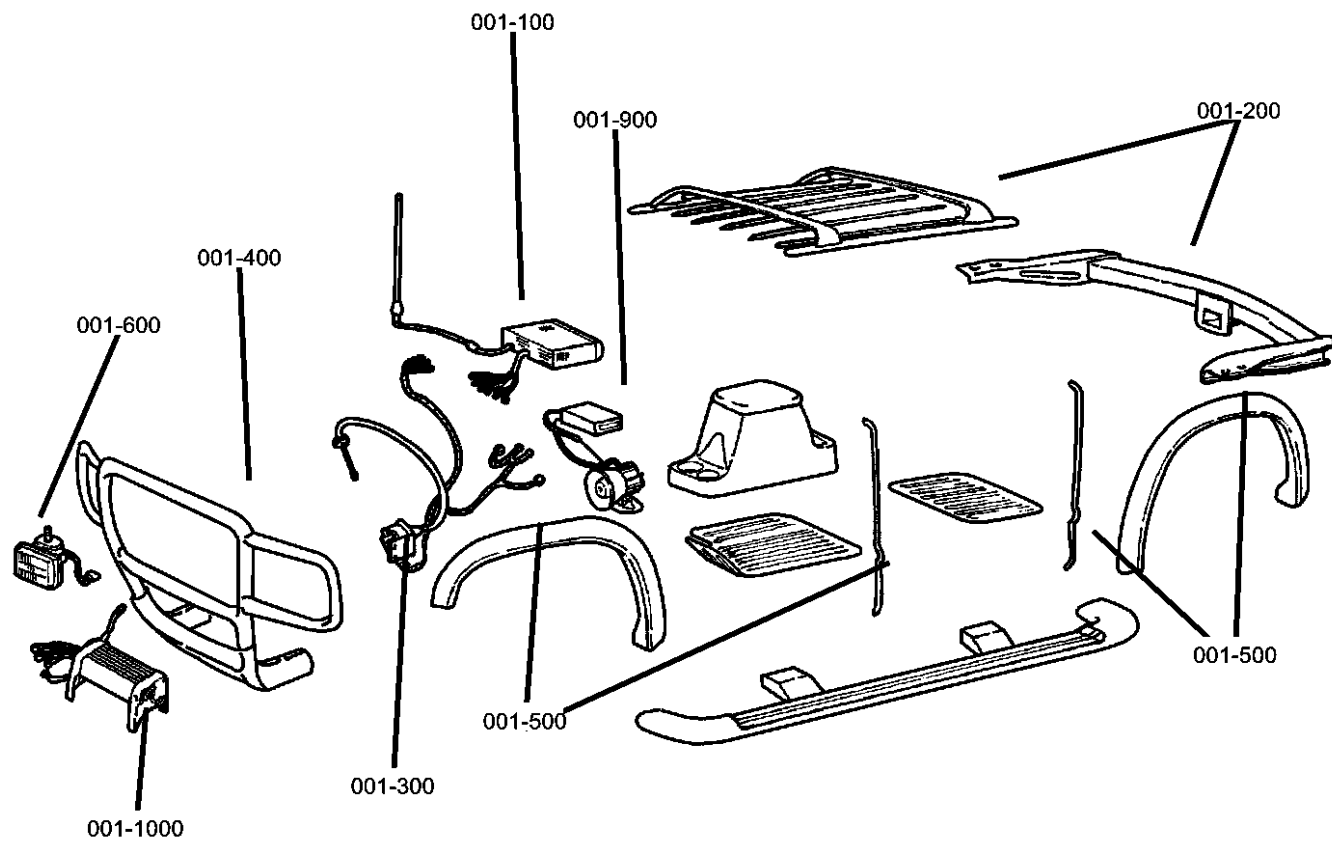
| | | | | | | | | | | | |
|----------------|-------------|---------------------|--------------|-------------|---------------|-------------------|---------------|--------------------|-------------------|--------------------|---------------------|
| 1 | 2 | 3 | 4 | 5 | 6 | 7 | 8 | 9 | 10 | 11 | 12 thru 17 |
| Country | Make | Vehicle Type | Other | Line | Series | Body Style | Engine | Check Digit | Model Year | Assy. Plant | Sequence No. |

The following table interprets the VIN Plate position shown above.

| Position | Interpretation | Codes = Description |
|------------|------------------------|---|
| 1 | Country of Origin | 1 = Built in U.S. by DaimlerChrysler Corporation |
| 2 | Assembler | D = Dodge |
| 3 | Vehicle Type | 7 = Truck (CGS) |
| 4 | GVWR & Pass. Safety | D = 0-3000 lbs (0-1360 kg) M = 10001-14000 lbs (4536-6350 kg) E = 3001-4000 lbs (1361-1814 kg) F = 4001-5000 lbs (1815-2267 kg) G = 5001-6000 lbs (2268-2721 kg) H = 6001-7000 lbs (2722-3175 kg) J = 7001-8000 lbs (3176-3628 kg) K = 8001-9000 lbs (3629-4082 kg) L = 9001-10000 lbs (4083-4535 kg) |
| 5 | Vehicle Line | L = Dakota, Dakota/Sport, Dakota 4x2 G = Dakota, Dakota/Sport, Dakota 4x4 |
| 6 | Series | 4 = Dakota SLT 1 = Dakota SXT 3 = Dakota Sport 7 = Dakota R/T |
| 7 | Body Style | 2 = Club Cab (31) 8 = Quad Club Cab (84) 6 = Regular Cab (61) |
| 8 | Engine | N = 4.7L 8 Cyl. Gasoline (MPI) (EVA) K = 3.7L 6 Cyl. Gasoline (MPI) (EKG) |
| 9 | Check Digit | 0 = Check Digit 0 = Check Digit |
| 10 | Model Year | V = 1997 W = 1998 X = 1999 Y = 2000 1 = 2001 2 = 2002 3 = 2003 4 = 2004 |
| 11 | Assembly Plant | S = Warren Truck |
| 12 thru 17 | Vehicle Build Sequence | Model Year Assembly Sequence |

Group - 1

Component Parts for Mopar Accessories



Group - 1 Component Parts for Mopar Accessories

Illustration Title

Group-Fig. No.

Audio & Electronics

Player Kit - CD Changer - 6 Disc..... Fig. 1 - 110
 Satellite Receiver Kit..... Fig. 1 - 120
 Install Kit Satellite Receiver- Without CD Changer Fig. 1 - 125
 Navigation Kit..... Fig. 1 - 140

Carriers & Cargo Hauling

Carrier Kit - Bike Frame Mount..... Fig. 1 - 210
 Carrier Kit - Bike Fork Mount..... Fig. 1 - 215
 Carrier Kit -Ski..... Fig. 1 - 220
 Carrier Kit- Luggage Hard Shell..... Fig. 1 - 230
 Carrier Kit - Luggage Vinyl Fig. 1 - 235
 Carrier Kit - Canoe Fig. 1 - 240
 Carrier Kit- Water Sports Fig. 1 - 245
 Wiring Kit - Trailer Tow - 4 Way Fig. 1 - 250
 Wiring Kit - Trailer Tow - 7 Way Fig. 1 - 255
 Cooler Kit - Transmission Oil, Without Heavy Duty Cooling Fig. 1 - 260
 Cover Kit - Tonneau..... Fig. 1 - 265
 Cover Kit - Folding Fig. 1 - 270
 Cover Kit - Tonneau Hard, One Piece Fig. 1 - 275
 Cover Kit - Tonneau, Gull Wing Style..... Fig. 1 - 276
 Box Kit / Storage Box Exterior..... Fig. 1 - 280

Driving Convenience

Hands Free Kit/Cellular Phone Blue Tooth..... Fig. 1 - 320

Exterior Appearance

Brush Guard..... Fig. 1 - 420
 Grill Guard..... Fig. 1 - 425

Exterior Protection

Molded Cargo Tray-Bed..... Fig. 1 - 510
 Shield Kit - Air Front..... Fig. 1 - 530

Fog Lights & Electrical


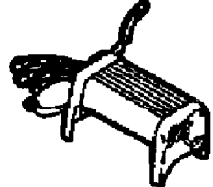


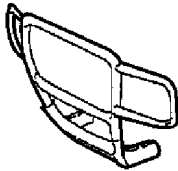
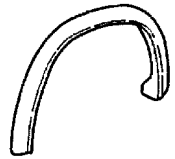
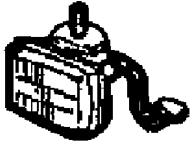

Hands-Free Kit/ Cellular Phone-Blue Toot Fig. 1 - 620

Security

Alarm - EVSII Base System..... Fig. 1 - 910
 Alarm, EVSII Factory Keyless Entry..... Fig. 1 - 914

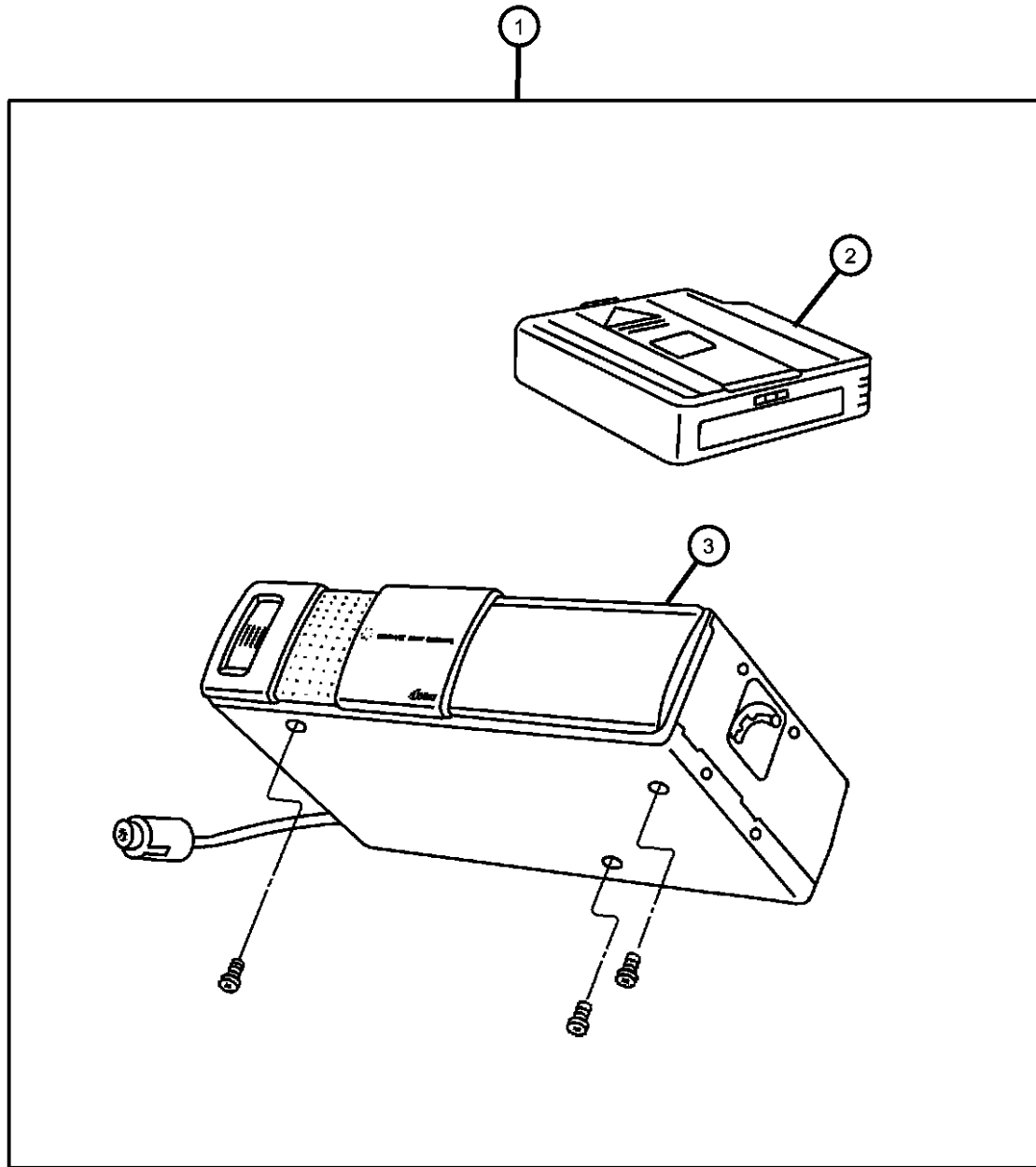
4 - Wheeling & Off Road

Plate Package - Skid, Front..... Fig. 1 - 1020
 Plate Package - Skid, Transfer Case..... Fig. 1 - 1025
 Plate Package- Skid, Fuel Tank..... Fig. 1 - 1030

| | | | |
|---|--|---|---|
| <p>001-100 Audio & Electronics</p>  | <p>001-1000 4 - Wheeling & Off Road</p>  | <p>001-200 Carriers & Cargo Hauling</p>  | <p>001-300 Driving Convenience</p>  |
| <p>001-400 Exterior Appearance</p>  | <p>001-500 Exterior Protection</p>  | <p>001-600 Fog Lights & Electrical</p>  | <p>001-900 Security</p>  |

Player Kit - CD Changer - 6 Disc
Figure 1-110

| ITEM | PART NUMBER | QTY | LINE | SERIES | BODY | ENGINE | TRANS | TRIM | DESCRIPTION |
|------|-------------|-----|------|--------|------|--------|-------|------|---------------------------------|
| 1 | 82207483 | 1 | | | | | | | PLAYER KIT, CD Changer - 6 Disc |
| 2 | 04797433 | 1 | | | | | | | MAGAZINE, CD Changer |
| 3 | 04797433 | 1 | | | | | | | CHANGER, CD, (NOT SERVICED) |



DAKOTA (AN)

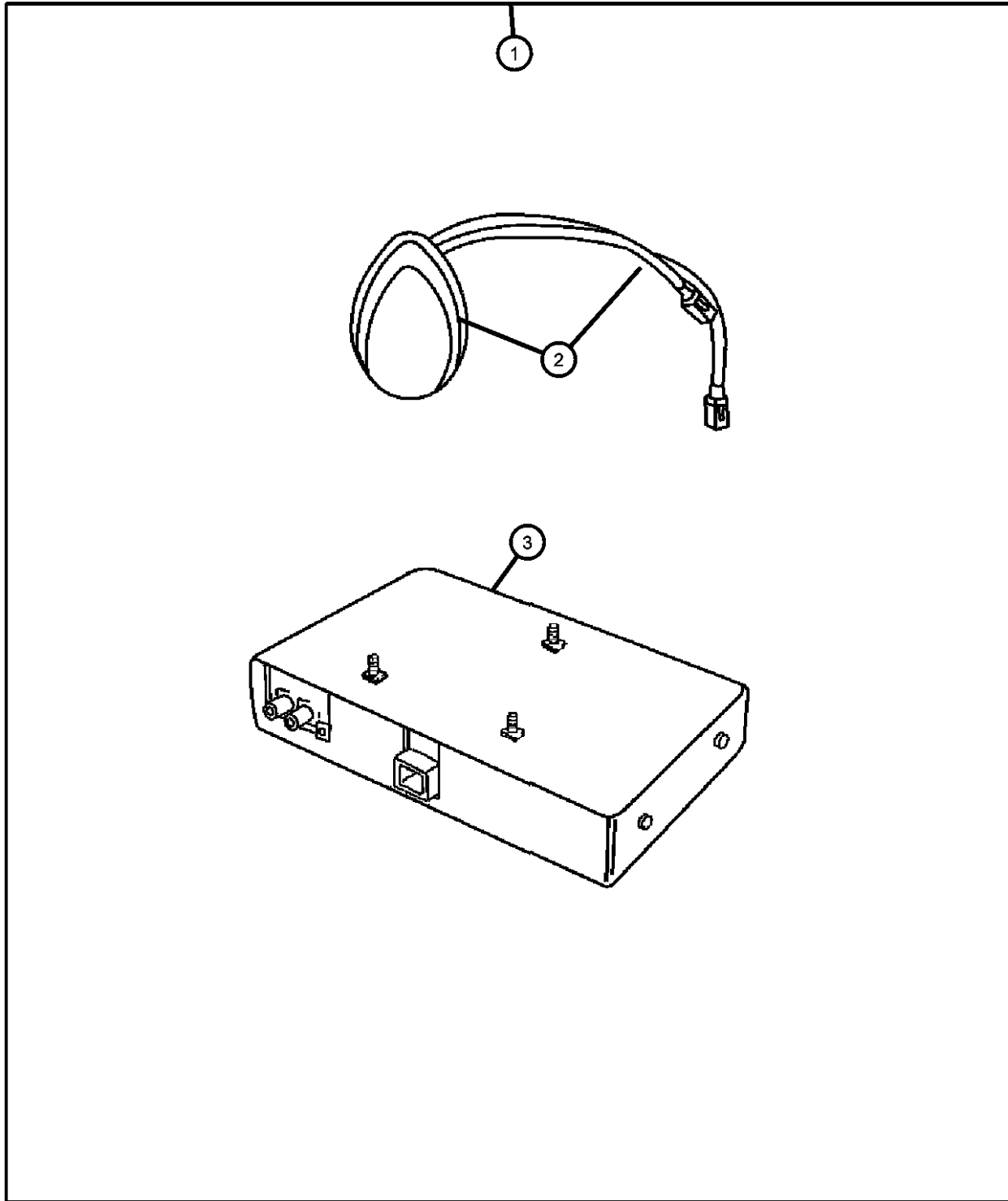
| SERIES | LINE | BODY | ENGINE | TRANSMISSION |
|------------------|----------------|---------------------------|-----------------------|-----------------------------|
| 1 = Dakota SXT | 1 = Dakota 2WD | 61 = Regular Cab (112 WB) | EVA = 4.7L Magnum V8 | DDC = 5 Speed HD Manual |
| 3 = Dakota Sport | 5 = Dakota 4WD | 31 = Club Cab (131 WB) | EKG = 3.7L 6 Cylinder | DG6 = Multispeed Auto 42RLE |
| 4 = Dakota SLT | | 84 = Quad Cab (131 WB) | | DGQ = Multispeed Auto 45RFE |
| 7 = Dakota R/T | | | | |

AR = use ase required - = Non illustrated part

2004 AN

**Satellite Receiver Kit
Figure 1-120**

| ITEM | PART NUMBER | QTY | LINE | SERIES | BODY | ENGINE | TRANS | TRIM | DESCRIPTION |
|------|-------------|-----|------|--------|------|--------|-------|------|-------------|
|------|-------------|-----|------|--------|------|--------|-------|------|-------------|



Note; For Warranty Repair On Item 3, Order Through [GPOP] Function 11, Using Z Prefix

| | | | | | | | | | |
|---|------------|---|--|--|--|--|--|--|---------------------|
| 1 | 82206488AA | 1 | | | | | | | RECEIVER, Satellite |
| 2 | 05066205AC | 1 | | | | | | | ANTENNA, Satellite |
| 3 | 05064020AG | 1 | | | | | | | RECEIVER, Satellite |

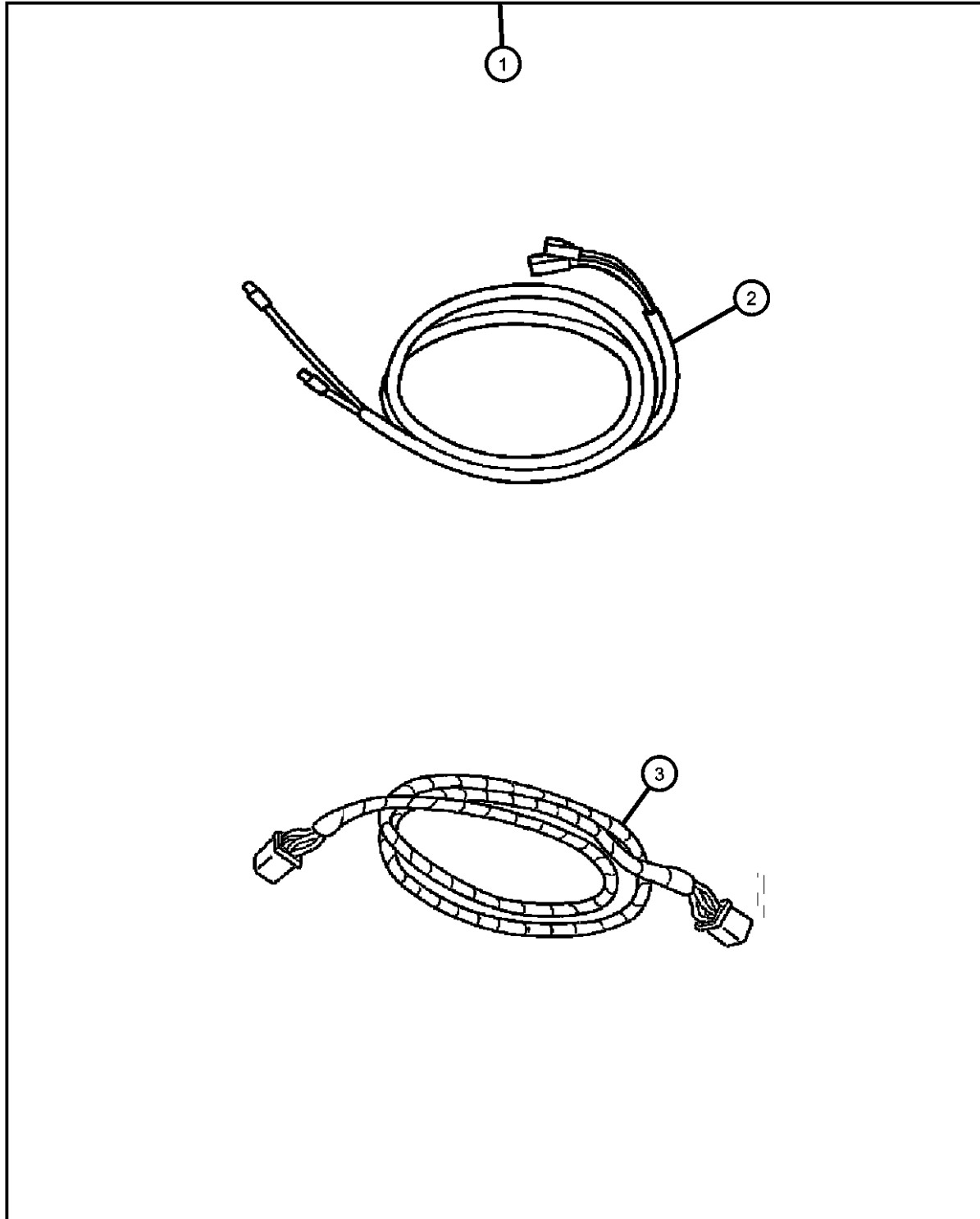
DAKOTA (AN)

| SERIES | LINE | BODY | ENGINE | TRANSMISSION |
|------------------|----------------|---------------------------|-----------------------|-----------------------------|
| 1 = Dakota SXT | 1 = Dakota 2WD | 61 = Regular Cab (112 WB) | EVA = 4.7L Magnum V8 | DDC = 5 Speed HD Manual |
| 3 = Dakota Sport | 5 = Dakota 4WD | 31 = Club Cab (131 WB) | EKG = 3.7L 6 Cylinder | DG6 = Multispeed Auto 42RLE |
| 4 = Dakota SLT | | 84 = Quad Cab (131 WB) | | DGQ = Multispeed Auto 45RFE |
| 7 = Dakota R/T | | | | |

AR = use ase required - = Non illustrated part

Install Kit Satellite Receiver- Without CD Changer
Figure 1-125

| ITEM | PART NUMBER | QTY | LINE | SERIES | BODY | ENGINE | TRANS | TRIM | DESCRIPTION |
|------|-------------|-----|------|--------|------|--------|-------|------|--------------------------------|
| 1 | 82208116 | 1 | | | | | | | INSTALL KIT, Satelite Receiver |
| 2 | 05102013AB | 1 | | | | | | | CABLE, Antenna |
| 3 | 05102014AA | 1 | | | | | | | WIRING, Rcvr to Radio |



DAKOTA (AN)

| SERIES | LINE | BODY | ENGINE | TRANSMISSION |
|------------------|----------------|---------------------------|-----------------------|-----------------------------|
| 1 = Dakota SXT | 1 = Dakota 2WD | 61 = Regular Cab (112 WB) | EVA = 4.7L Magnum V8 | DDC = 5 Speed HD Manual |
| 3 = Dakota Sport | 5 = Dakota 4WD | 31 = Club Cab (131 WB) | EKG = 3.7L 6 Cylinder | DG6 = Multispeed Auto 42RLE |
| 4 = Dakota SLT | | 84 = Quad Cab (131 WB) | | DGQ = Multispeed Auto 45RFE |
| 7 = Dakota R/T | | | | |

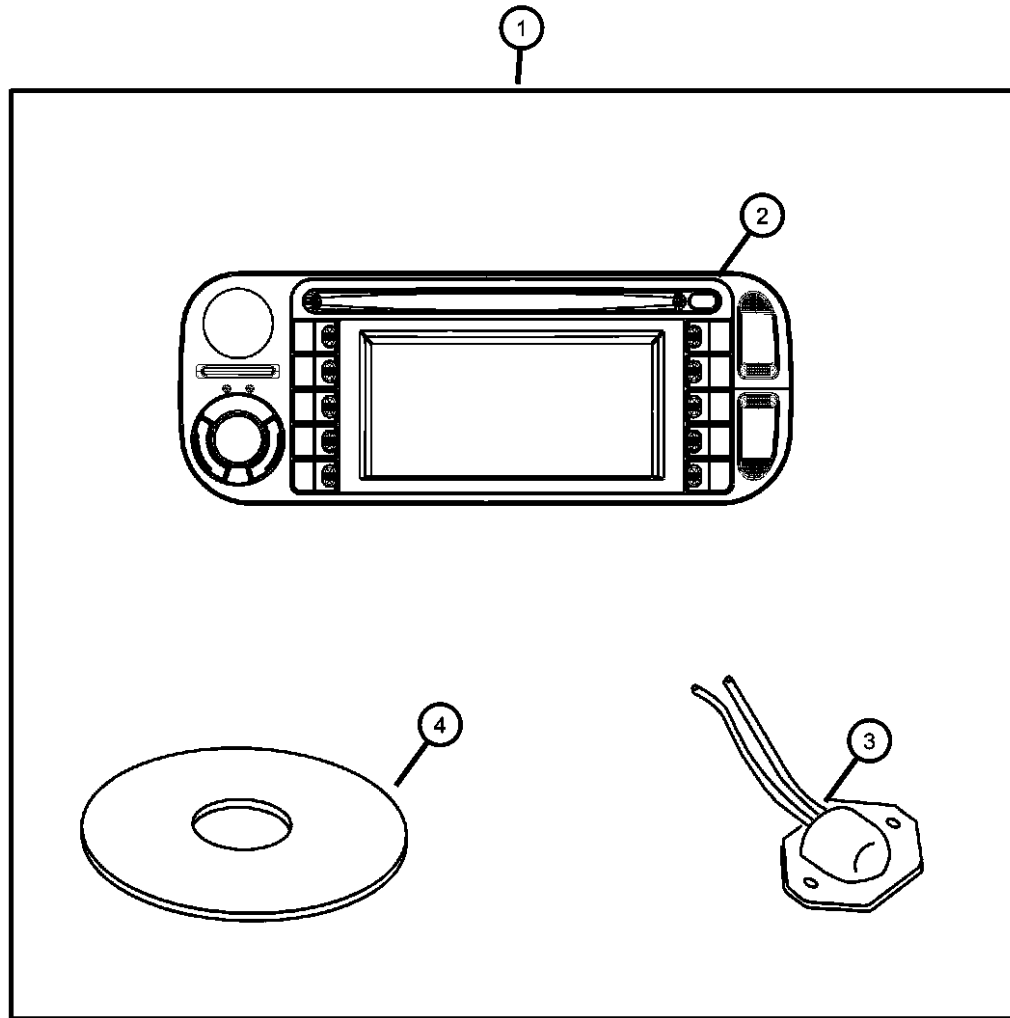
AR = use ase required - = Non illustrated part

**Navigation Kit
Figure 1-140**

| ITEM | PART NUMBER | QTY | LINE | SERIES | BODY | ENGINE | TRANS | TRIM | DESCRIPTION |
|------|-------------|-----|------|--------|------|--------|-------|------|-------------|
|------|-------------|-----|------|--------|------|--------|-------|------|-------------|

Note: For Warranty Repair On Item 2, Order Through [GPOP] Function 11, Using Z Prefix

| | | | | | | | | | |
|---|------------|---|--|--|--|--|--|--|-------------------------------------|
| 1 | 82206406 | 1 | | | | | | | RADIO, AM/FM CD W/NAV/DVD & CD-CTRL |
| 2 | 56038629AC | 1 | | | | | | | RADIO, AM/FM CD W/NAV/DVD & CD-CTRL |
| 3 | 56038630AA | 1 | | | | | | | ANTENNA, GPS |
| 4 | 56038642AD | 1 | | | | | | | DVD, Geographic Database |



DAKOTA (AN)

| | | | | |
|------------------|----------------|---------------------------|-----------------------|-----------------------------|
| SERIES | LINE | BODY | ENGINE | TRANSMISSION |
| 1 = Dakota SXT | 1 = Dakota 2WD | 61 = Regular Cab (112 WB) | EVA = 4.7L Magnum V8 | DDC = 5 Speed HD Manual |
| 3 = Dakota Sport | 5 = Dakota 4WD | 31 = Club Cab (131 WB) | EKG = 3.7L 6 Cylinder | DG6 = Multispeed Auto 42RLE |
| 4 = Dakota SLT | | 84 = Quad Cab (131 WB) | | DGQ = Multispeed Auto 45RFE |
| 7 = Dakota R/T | | | | |

AR = use ase required - = Non illustrated part

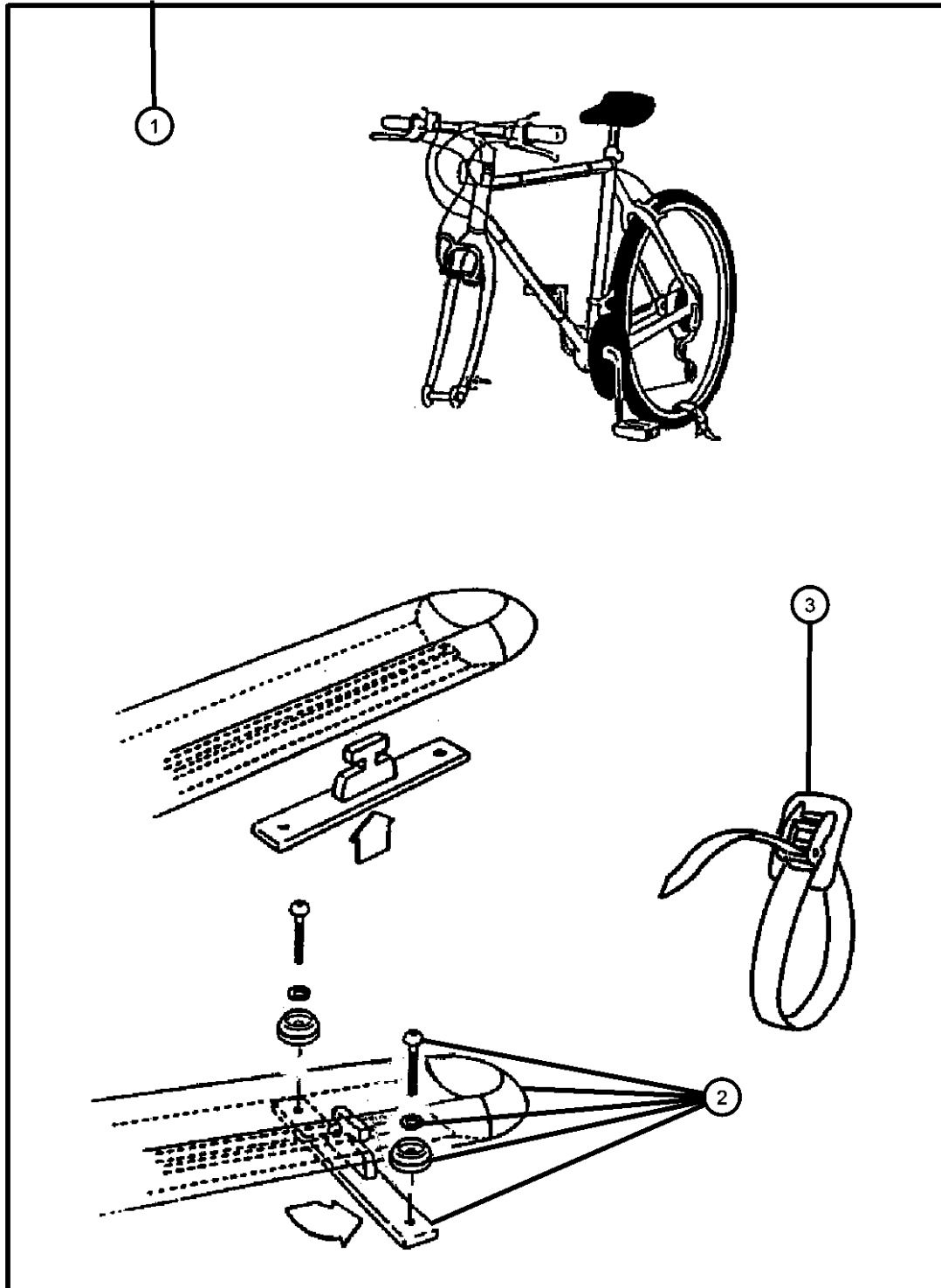
2004 AN

Carrier Kit - Bike Frame Mount
Figure 1-210

| ITEM | PART NUMBER | QTY | LINE | SERIES | BODY | ENGINE | TRANS | TRIM | DESCRIPTION |
|------|-------------|-----|------|--------|------|--------|-------|------|-------------|
|------|-------------|-----|------|--------|------|--------|-------|------|-------------|

Note; Requires Roof Rack

| | | | | | | | | | |
|---|------------|---|--|--|----|--|--|--|-------------------------|
| 1 | 82207942 | 1 | | | 84 | | | | CARRIER KIT, Bike |
| 2 | 05093779AA | 1 | | | 84 | | | | HARDWARE KIT, Accessory |
| 3 | 05114532AA | 1 | | | 84 | | | | STRAP, Cargo Tie Down |



DAKOTA (AN)

| SERIES | LINE | BODY | ENGINE | TRANSMISSION |
|------------------|----------------|---------------------------|-----------------------|-----------------------------|
| 1 = Dakota SXT | 1 = Dakota 2WD | 61 = Regular Cab (112 WB) | EVA = 4.7L Magnum V8 | DDC = 5 Speed HD Manual |
| 3 = Dakota Sport | 5 = Dakota 4WD | 31 = Club Cab (131 WB) | EKG = 3.7L 6 Cylinder | DG6 = Multispeed Auto 42RLE |
| 4 = Dakota SLT | | 84 = Quad Cab (131 WB) | | DGQ = Multispeed Auto 45RFE |
| 7 = Dakota R/T | | | | |

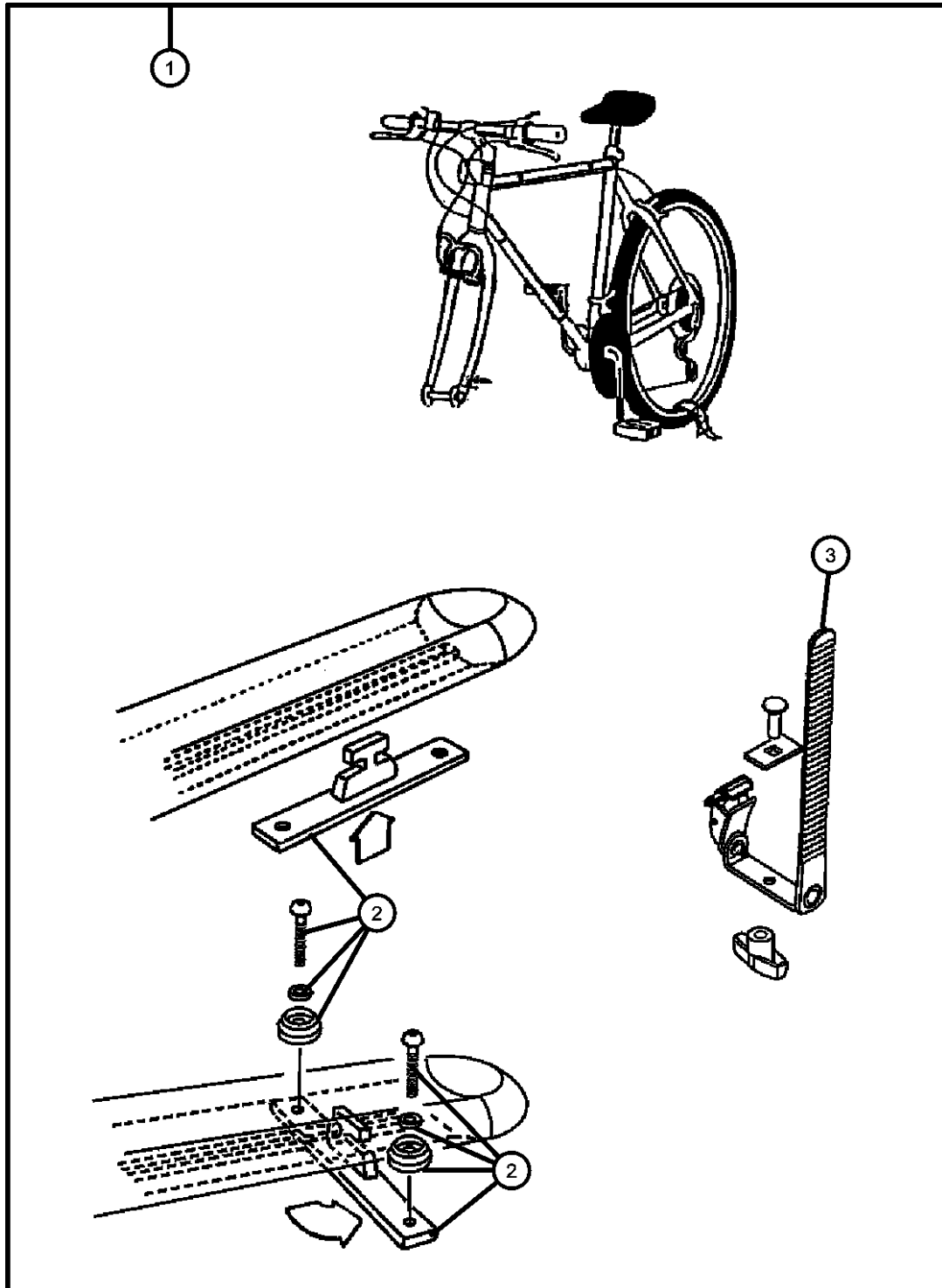
AR = use ase required - = Non illustrated part

Carrier Kit - Bike Fork Mount
Figure 1-215

| ITEM | PART NUMBER | QTY | LINE | SERIES | BODY | ENGINE | TRANS | TRIM | DESCRIPTION |
|------|-------------|-----|------|--------|------|--------|-------|------|-------------|
|------|-------------|-----|------|--------|------|--------|-------|------|-------------|

Note; Requires Roof Rack

| | | | | | | | | | |
|---|------------|---|--|--|----|--|--|--|-------------------------|
| 1 | 82207943 | 1 | | | 84 | | | | CARRIER KIT, Bike |
| 2 | 05093779AA | 1 | | | 84 | | | | HARDWARE KIT, Accessory |
| 3 | 05114532AA | 1 | | | 84 | | | | STRAP, Cargo Tie Down |



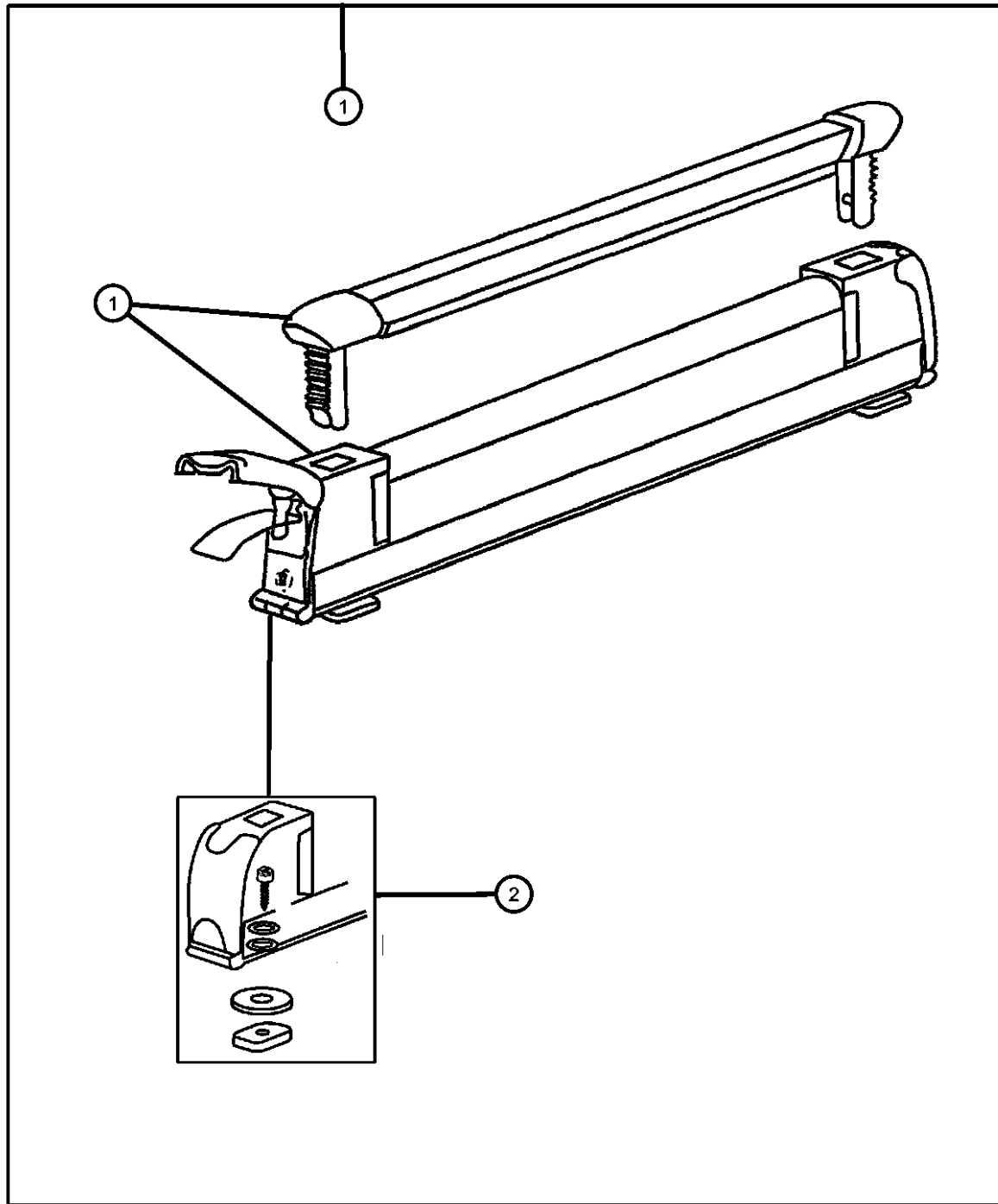
DAKOTA (AN)

| SERIES | LINE | BODY | ENGINE | TRANSMISSION |
|------------------|----------------|---------------------------|-----------------------|-----------------------------|
| 1 = Dakota SXT | 1 = Dakota 2WD | 61 = Regular Cab (112 WB) | EVA = 4.7L Magnum V8 | DDC = 5 Speed HD Manual |
| 3 = Dakota Sport | 5 = Dakota 4WD | 31 = Club Cab (131 WB) | EKG = 3.7L 6 Cylinder | DG6 = Multispeed Auto 42RLE |
| 4 = Dakota SLT | | 84 = Quad Cab (131 WB) | | DGQ = Multispeed Auto 45RFE |
| 7 = Dakota R/T | | | | |

AR = use ase required - = Non illustrated part

Carrier Kit -Ski
Figure 1-220

| ITEM | PART NUMBER | QTY | LINE | SERIES | BODY | ENGINE | TRANS | TRIM | DESCRIPTION |
|------|-------------|-----|------|--------|------|--------|-------|------|-------------|
|------|-------------|-----|------|--------|------|--------|-------|------|-------------|



Note; Requires Roof Rack

| | | | | | | | | | |
|---|------------|---|--|--|----|--|--|--|---------------------------|
| 1 | | | | | | | | | CARRIER KIT, Ski |
| | 82207308 | 1 | | | 84 | | | | 6 Pair Skis, 4 Snowboards |
| | 82207312 | 1 | | | 84 | | | | 3 Pair Skis, 2 Snowboards |
| 2 | 05086158AA | 1 | | | 84 | | | | HARDWARE KIT, Accessory |

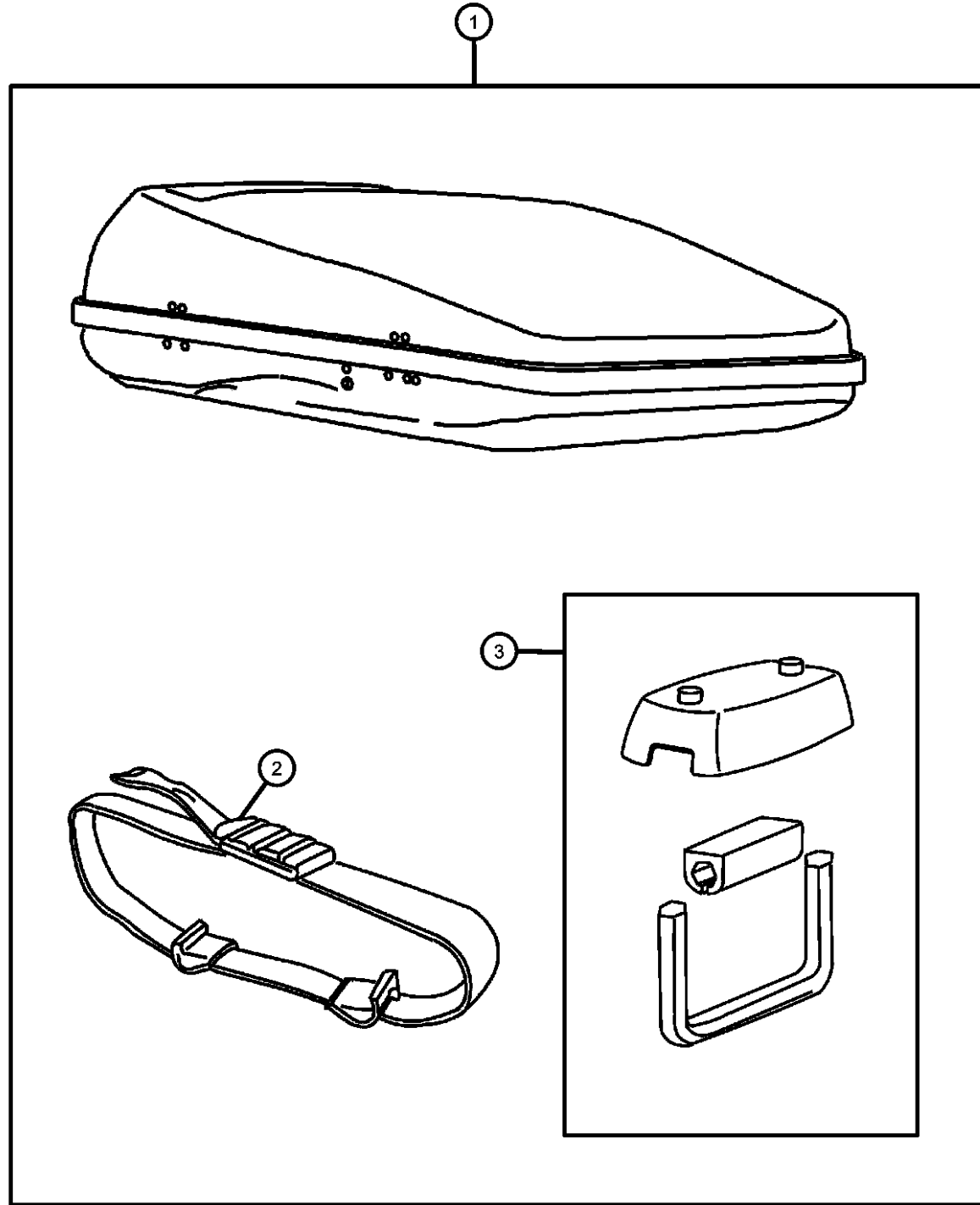
DAKOTA (AN)

| SERIES | LINE | BODY | ENGINE | TRANSMISSION |
|------------------|----------------|---------------------------|-----------------------|-----------------------------|
| 1 = Dakota SXT | 1 = Dakota 2WD | 61 = Regular Cab (112 WB) | EVA = 4.7L Magnum V8 | DDC = 5 Speed HD Manual |
| 3 = Dakota Sport | 5 = Dakota 4WD | 31 = Club Cab (131 WB) | EKG = 3.7L 6 Cylinder | DG6 = Multispeed Auto 42RLE |
| 4 = Dakota SLT | | 84 = Quad Cab (131 WB) | | DGQ = Multispeed Auto 45RFE |
| 7 = Dakota R/T | | | | |

AR = use ase required - = Non illustrated part

Carrier Kit- Luggage Hard Shell
Figure 1-230

| ITEM | PART NUMBER | QTY | LINE | SERIES | BODY | ENGINE | TRANS | TRIM | DESCRIPTION |
|------|-------------|-----|------|--------|------|--------|-------|------|-------------|
|------|-------------|-----|------|--------|------|--------|-------|------|-------------|



Note; Requires Roof Rack

| | | | | | | | | | |
|---|------------|---|--|--|--|--|--|--|---|
| 1 | 82207341 | 1 | | | | | | | CARRIER KIT, Luggage 28 Inch x 90 Inch |
| | 82207353 | 1 | | | | | | | 31 Inch x 71 Inch |
| 2 | 05086160AA | 1 | | | | | | | STRAP, Cargo Tie Down |
| 3 | 05086159AA | 1 | | | | | | | HARDWARE KIT |

DAKOTA (AN)

| SERIES | LINE | BODY | ENGINE | TRANSMISSION |
|------------------|----------------|---------------------------|-----------------------|-----------------------------|
| 1 = Dakota SXT | 1 = Dakota 2WD | 61 = Regular Cab (112 WB) | EVA = 4.7L Magnum V8 | DDC = 5 Speed HD Manual |
| 3 = Dakota Sport | 5 = Dakota 4WD | 31 = Club Cab (131 WB) | EKG = 3.7L 6 Cylinder | DG6 = Multispeed Auto 42RLE |
| 4 = Dakota SLT | | 84 = Quad Cab (131 WB) | | DGQ = Multispeed Auto 45RFE |
| 7 = Dakota R/T | | | | |

AR = use ase required - = Non illustrated part

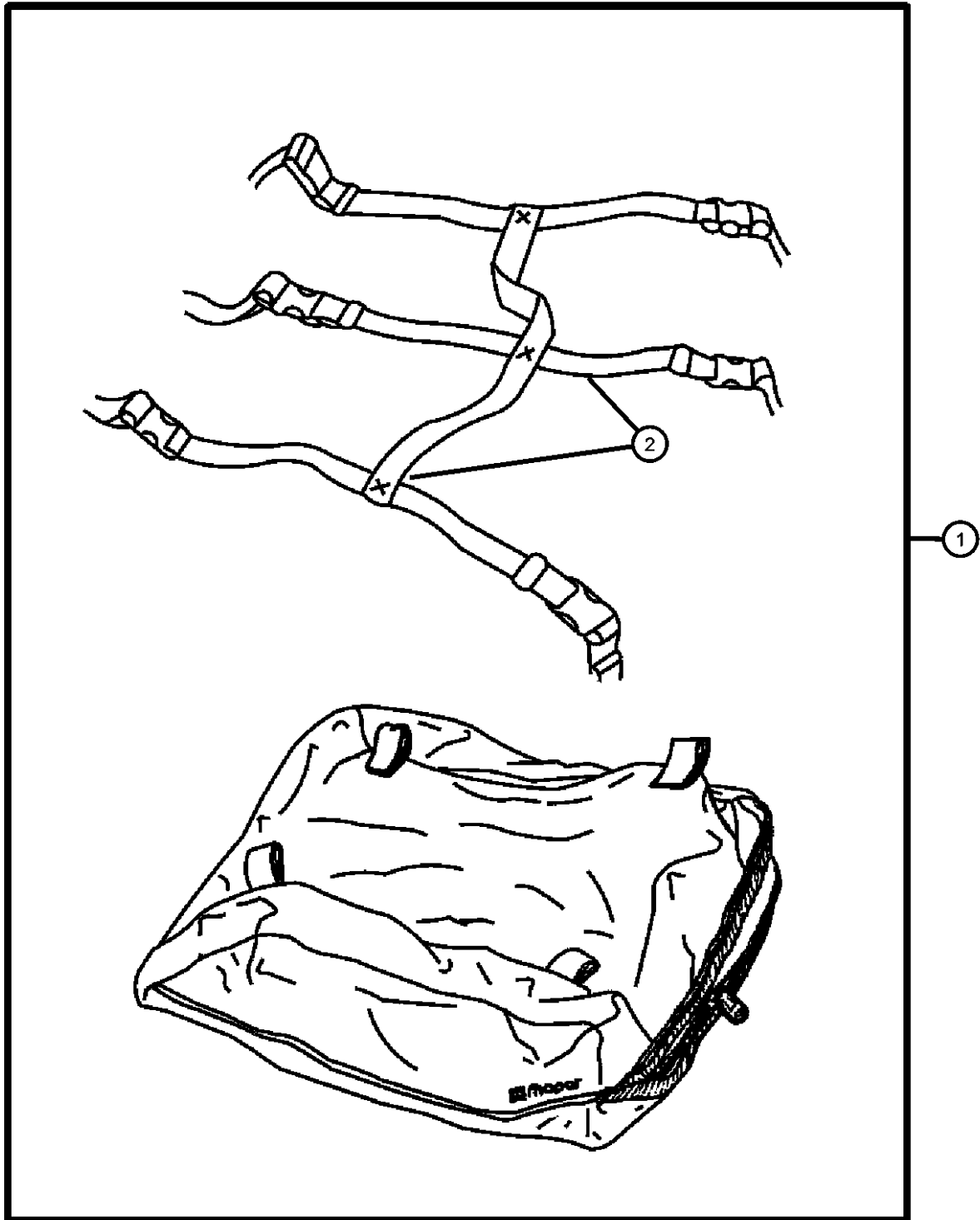
Carrier Kit - Luggage Vinyl
Figure 1-235

| ITEM | PART NUMBER | QTY | LINE | SERIES | BODY | ENGINE | TRANS | TRIM | DESCRIPTION |
|------|-------------|-----|------|--------|------|--------|-------|------|-------------|
|------|-------------|-----|------|--------|------|--------|-------|------|-------------|

Note; Requires Roof Rack

| | | | | | | | | | |
|---|------------|---|--|--|--|--|--|--|--|
| 1 | 82207198 | 1 | | | | | | | |
| 2 | 05066332AA | 1 | | | | | | | |

CARRIER KIT, Luggage, 39 Inch x 37 Inch x 12 Inch
STRAP KIT, Luggage Carrier



DAKOTA (AN)

| SERIES | LINE |
|------------------|----------------|
| 1 = Dakota SXT | 1 = Dakota 2WD |
| 3 = Dakota Sport | 5 = Dakota 4WD |
| 4 = Dakota SLT | |
| 7 = Dakota R/T | |

| BODY |
|---------------------------|
| 61 = Regular Cab (112 WB) |
| 31 = Club Cab (131 WB) |
| 84 = Quad Cab (131 WB) |

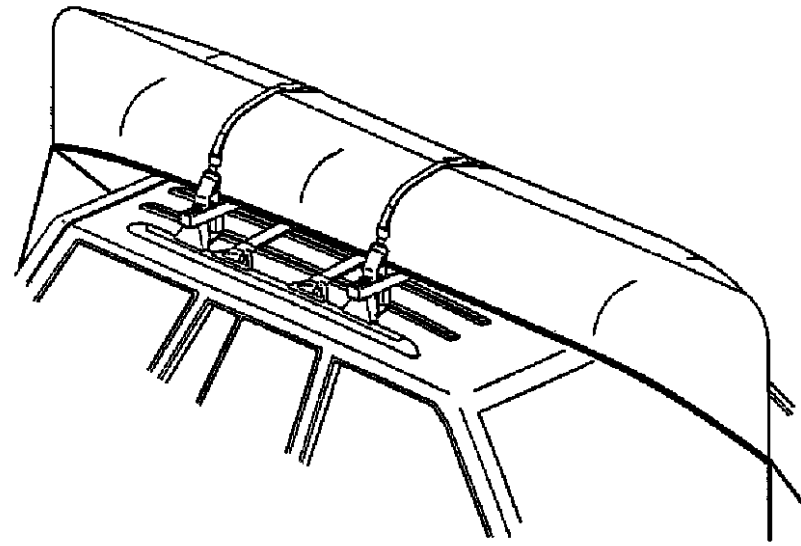
| ENGINE |
|-----------------------|
| EVA = 4.7L Magnum V8 |
| EKG = 3.7L 6 Cylinder |

| TRANSMISSION |
|-----------------------------|
| DDC = 5 Speed HD Manual |
| DG6 = Multispeed Auto 42RLE |
| DGQ = Multispeed Auto 45RFE |

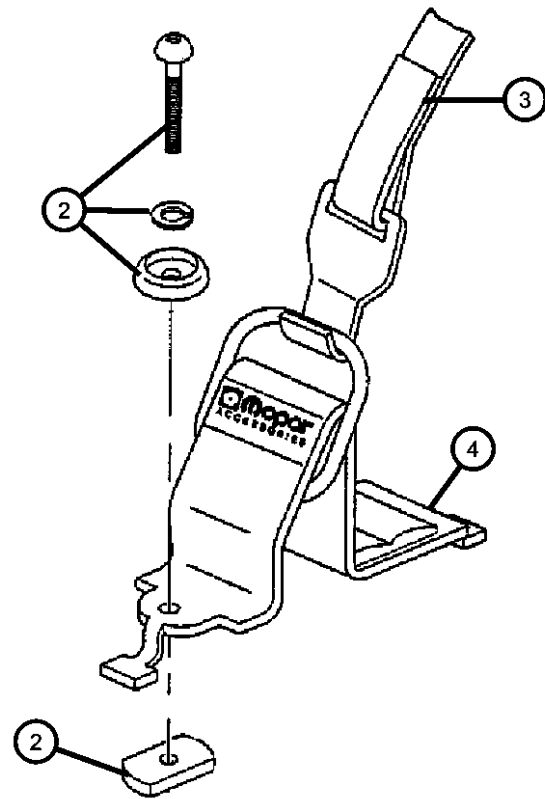
AR = use ase required - = Non illustrated part

2004 AN

Carrier Kit - Canoe
Figure 1-240



1



| ITEM | PART NUMBER | QTY | LINE | SERIES | BODY | ENGINE | TRANS | TRIM | DESCRIPTION |
|------|-------------|-----|------|--------|------|--------|-------|------|-------------|
|------|-------------|-----|------|--------|------|--------|-------|------|-------------|

Note; Requires Roof Rack

| | | | | | | | | | |
|---|------------|---|--|--|----|--|--|--|---|
| 1 | 82204700 | 1 | | | 84 | | | | CARRIER KIT, Canoe |
| 2 | 05016389AA | 1 | | | 84 | | | | HARDWARE KIT, Accessory |
| 3 | 05016511AA | 1 | | | 84 | | | | STRAP, Cargo Tie Down |
| 4 | 05016511AA | 1 | | | | | | | BRACKET, Cargo Tie Down, (NOT SERVICED) |

DAKOTA (AN)

| SERIES | LINE | BODY | ENGINE | TRANSMISSION |
|------------------|----------------|---------------------------|-----------------------|-----------------------------|
| 1 = Dakota SXT | 1 = Dakota 2WD | 61 = Regular Cab (112 WB) | EVA = 4.7L Magnum V8 | DDC = 5 Speed HD Manual |
| 3 = Dakota Sport | 5 = Dakota 4WD | 31 = Club Cab (131 WB) | EKG = 3.7L 6 Cylinder | DG6 = Multispeed Auto 42RLE |
| 4 = Dakota SLT | | 84 = Quad Cab (131 WB) | | DGQ = Multispeed Auto 45RFE |
| 7 = Dakota R/T | | | | |

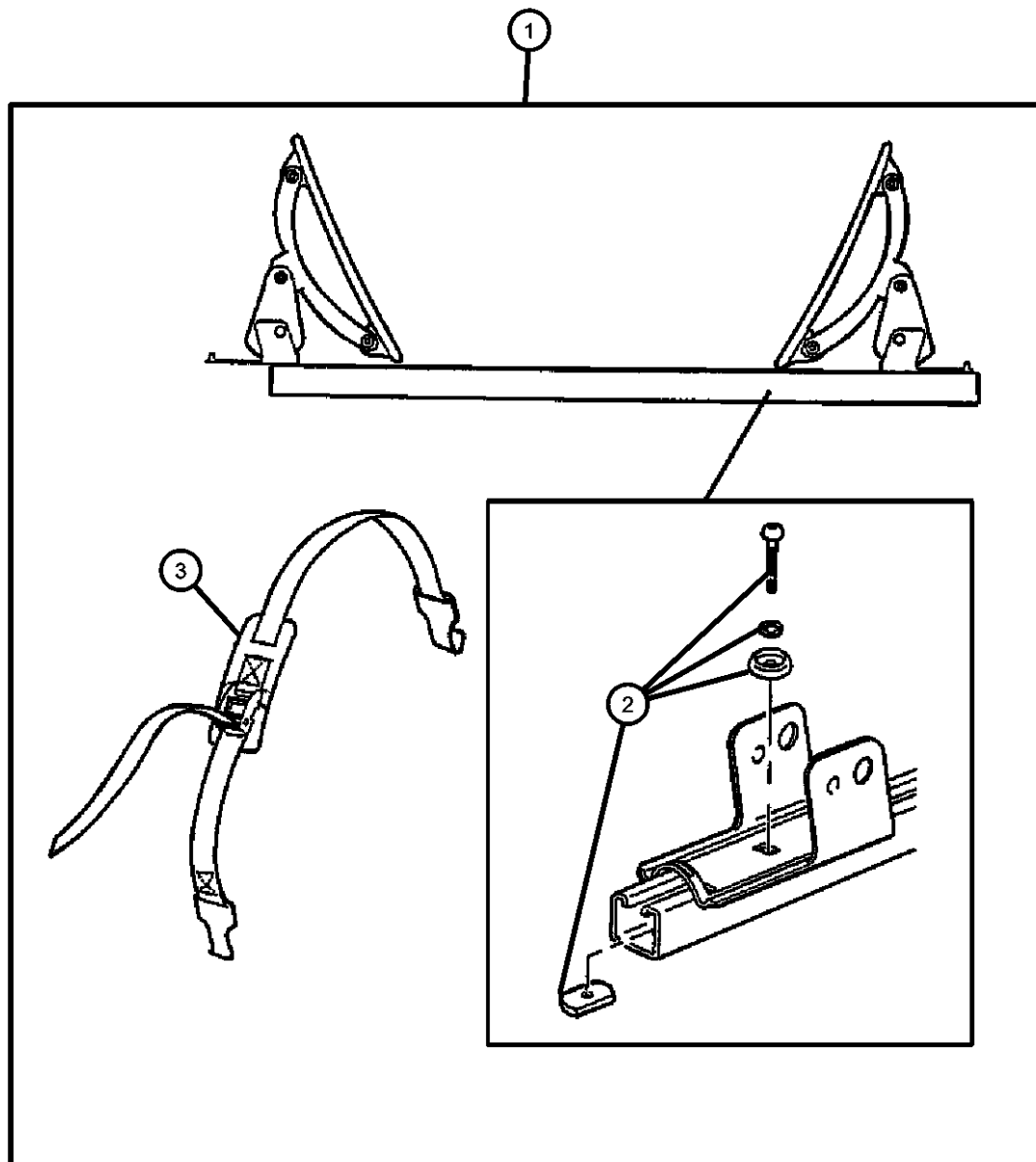
AR = use ase required - = Non illustrated part

**Carrier Kit- Water Sports
Figure 1-245**

| ITEM | PART NUMBER | QTY | LINE | SERIES | BODY | ENGINE | TRANS | TRIM | DESCRIPTION |
|------|-------------|-----|------|--------|------|--------|-------|------|-------------|
|------|-------------|-----|------|--------|------|--------|-------|------|-------------|

Note; Requires Roof Rack

| | | | | | | | | | |
|---|------------|---|--|--|----|--|--|--|---------------------------|
| 1 | 82205416 | 1 | | | 84 | | | | CARRIER KIT, Water Sports |
| 2 | 05016389AA | 1 | | | 84 | | | | HARDWARE KIT, Accessory |
| 3 | 05016511AA | 1 | | | 84 | | | | STRAP, Cargo Tie Down |

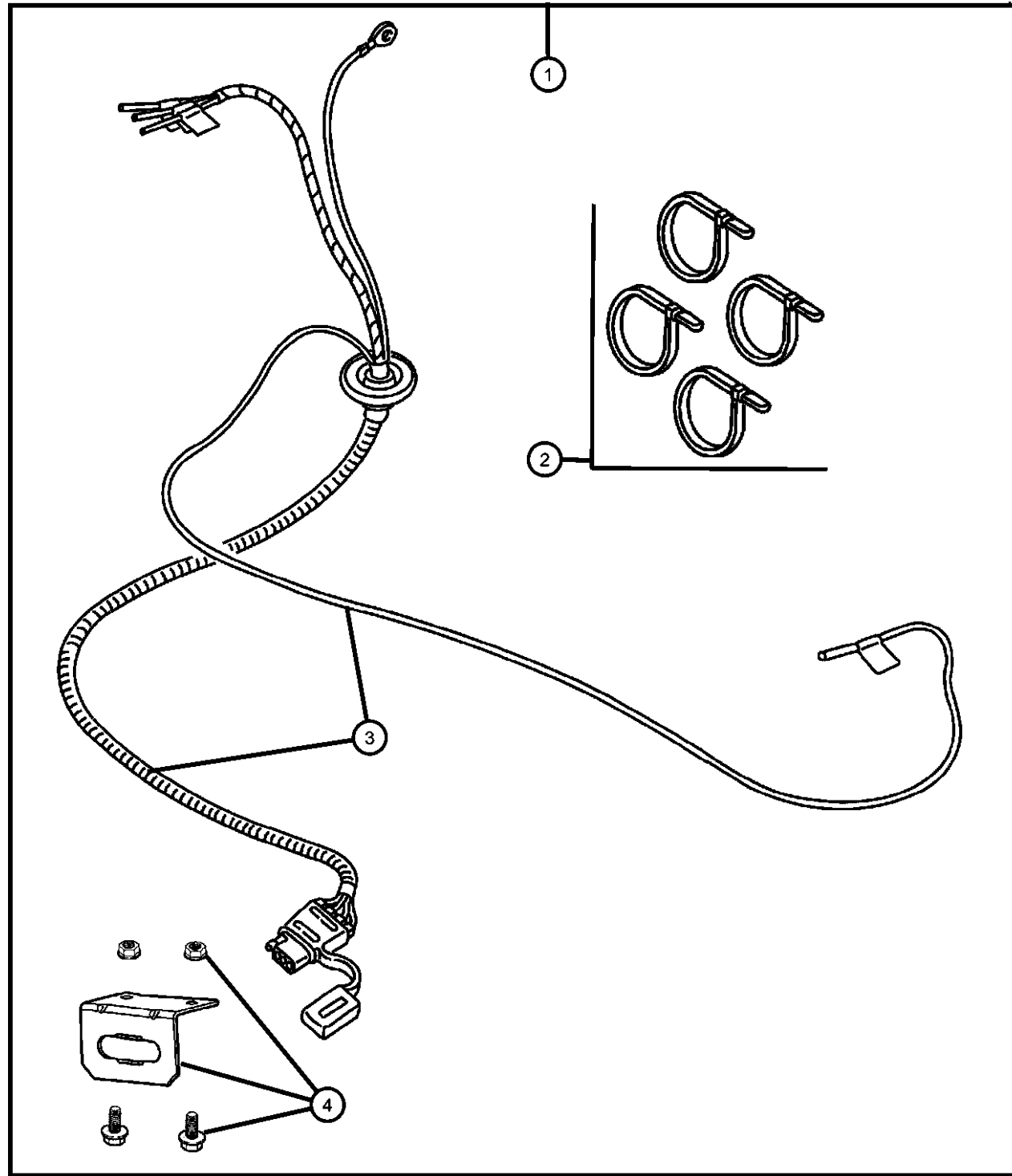


DAKOTA (AN)

| SERIES | LINE | BODY | ENGINE | TRANSMISSION |
|------------------|----------------|---------------------------|-----------------------|-----------------------------|
| 1 = Dakota SXT | 1 = Dakota 2WD | 61 = Regular Cab (112 WB) | EVA = 4.7L Magnum V8 | DDC = 5 Speed HD Manual |
| 3 = Dakota Sport | 5 = Dakota 4WD | 31 = Club Cab (131 WB) | EKG = 3.7L 6 Cylinder | DG6 = Multispeed Auto 42RLE |
| 4 = Dakota SLT | | 84 = Quad Cab (131 WB) | | DGQ = Multispeed Auto 45RFE |
| 7 = Dakota R/T | | | | |

AR = use ase required - = Non illustrated part

Wiring Kit - Trailer Tow - 4 Way
Figure 1-250



| ITEM | PART NUMBER | QTY | LINE | SERIES | BODY | ENGINE | TRANS | TRIM | DESCRIPTION |
|------|-------------|-----|------|--------|------------|--------|-------|------|--|
| 1 | 82208817 | 1 | | | | | | | WIRING KIT, Trailer Tow - 4 Way |
| 2 | 06016155 | 1 | 1, 5 | | 31, 61, 84 | | | | STRAP, Tie |
| 3 | 06016155 | 1 | | | | | | | WIRING, Trailer Tow, Serviced in Kit, (NOT SERVICED) |
| 4 | 82204602 | 1 | | | | | | | BRACKET KIT, Trailer Tow |

DAKOTA (AN)

| SERIES | LINE | BODY | ENGINE | TRANSMISSION |
|------------------|----------------|---------------------------|-----------------------|-----------------------------|
| 1 = Dakota SXT | 1 = Dakota 2WD | 61 = Regular Cab (112 WB) | EVA = 4.7L Magnum V8 | DDC = 5 Speed HD Manual |
| 3 = Dakota Sport | 5 = Dakota 4WD | 31 = Club Cab (131 WB) | EKG = 3.7L 6 Cylinder | DG6 = Multispeed Auto 42RLE |
| 4 = Dakota SLT | | 84 = Quad Cab (131 WB) | | DGQ = Multispeed Auto 45RFE |
| 7 = Dakota R/T | | | | |

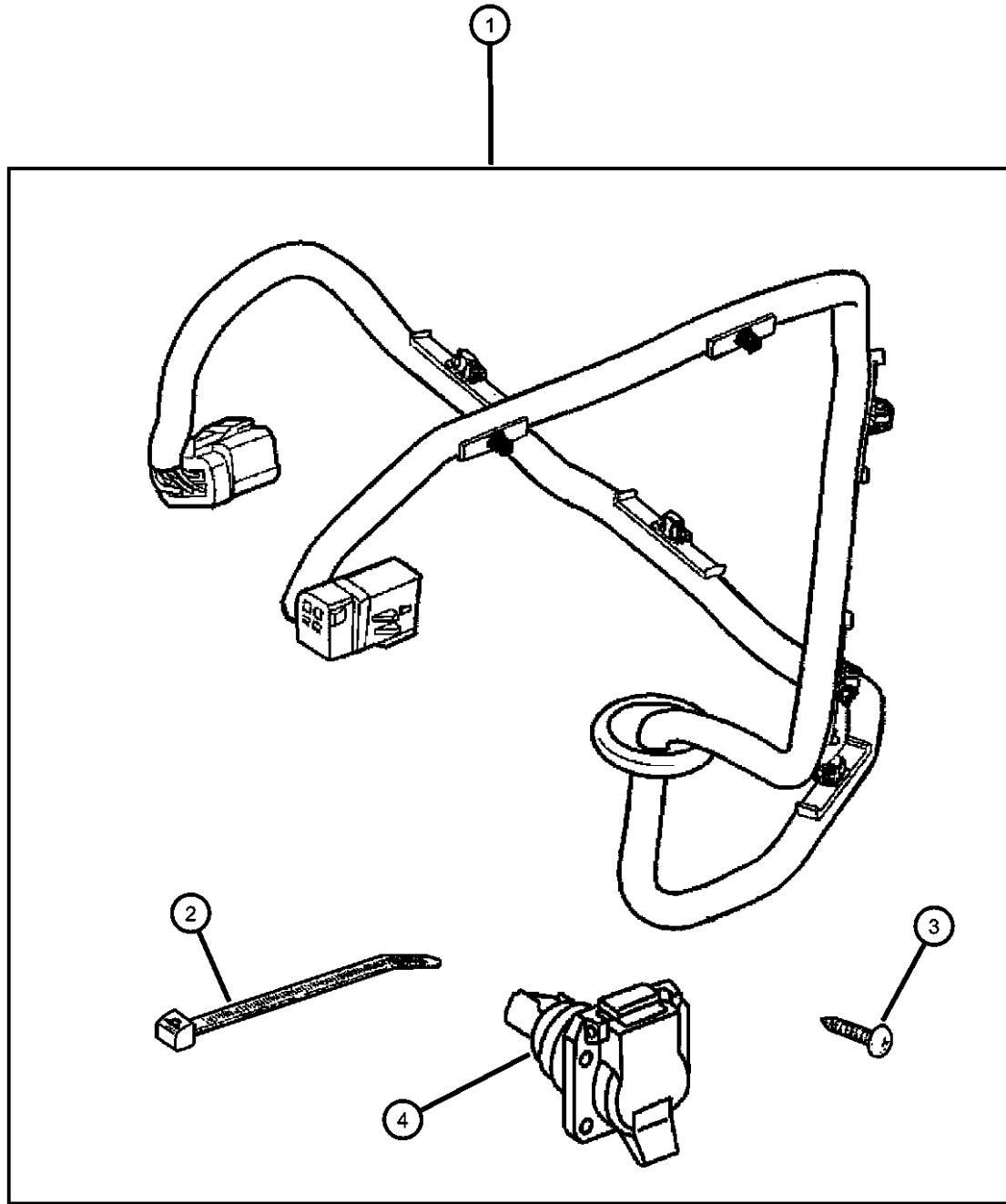
AR = use ase required - = Non illustrated part

Wiring Kit - Trailer Tow - 7 Way
Figure 1-255

| ITEM | PART NUMBER | QTY | LINE | SERIES | BODY | ENGINE | TRANS | TRIM | DESCRIPTION |
|------|-------------|-----|------|--------|------|--------|-------|------|-------------|
|------|-------------|-----|------|--------|------|--------|-------|------|-------------|

NOTE: Will not fit Chassis Cab. Built in Running Light Relay.

| | | | | | | | | | |
|----|------------|---|--|--|--|--|--|--|---------------------------------|
| 1 | 82208816 | 1 | | | | | | | WIRING KIT, Trailer Tow - 7 Way |
| 2 | 05073039AA | 1 | | | | | | | STRAP, Tie |
| 3 | 00154633 | 4 | | | | | | | SCREW, .164-18x.625 |
| 4 | 56038366AB | 1 | | | | | | | CONNECTOR, 7 Way |
| -5 | 56007078 | 1 | | | | | | | RELAY, Electrical |



DAKOTA (AN)

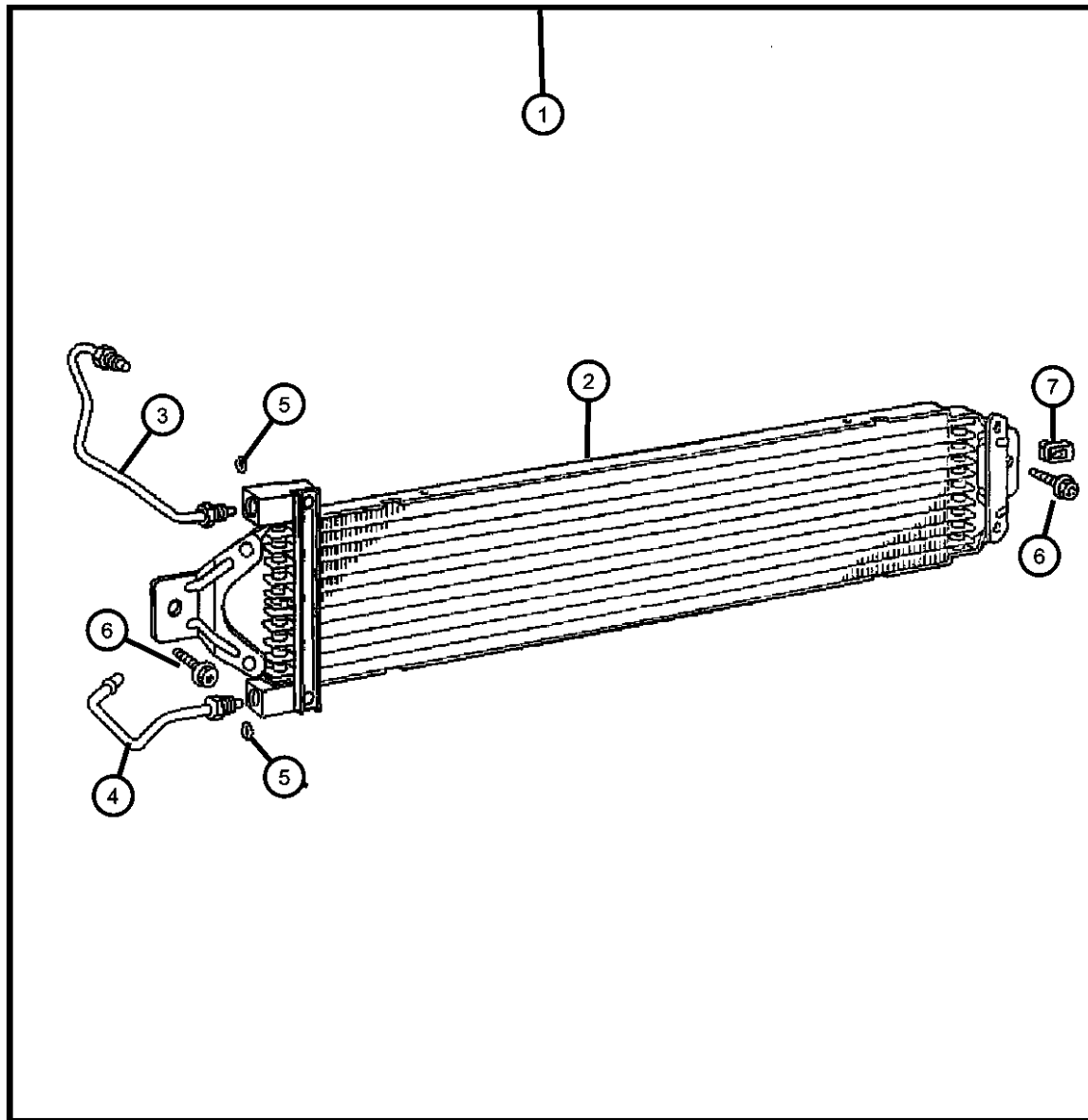
| SERIES | LINE | BODY | ENGINE | TRANSMISSION |
|------------------|----------------|---------------------------|-----------------------|-----------------------------|
| 1 = Dakota SXT | 1 = Dakota 2WD | 61 = Regular Cab (112 WB) | EVA = 4.7L Magnum V8 | DDC = 5 Speed HD Manual |
| 3 = Dakota Sport | 5 = Dakota 4WD | 31 = Club Cab (131 WB) | EKG = 3.7L 6 Cylinder | DG6 = Multispeed Auto 42RLE |
| 4 = Dakota SLT | | 84 = Quad Cab (131 WB) | | DGQ = Multispeed Auto 45RFE |
| 7 = Dakota R/T | | | | |

AR = use ase required - = Non illustrated part

2004 AN

Cooler Kit - Transmission Oil, Without Heavy Duty Cooling
Figure 1-260

| ITEM | PART NUMBER | QTY | LINE | SERIES | BODY | ENGINE | TRANS | TRIM | DESCRIPTION |
|------|-------------|-----|------|--------|------------|--------|-------|------|----------------------------------|
| 1 | | | | | | | | | COOLER PACKAGE, Transmission Oil |
| | 82205677 | 1 | 1, 5 | | 31, 61, 84 | | | | 3.7L V6 |
| | 82205678 | 1 | 1, 5 | | 31, 61, 84 | | | | 4.7L and 5.9L V8 |
| 2 | 52028779AB | 1 | 1, 5 | | 31, 61, 84 | | | | COOLER, Auxiliary Oil |
| 3 | 05015415AA | 1 | 1, 5 | | 31, 61, 84 | | | | TUBE, Oil Cooler |
| 4 | 05015416AA | 1 | 1, 5 | | 31, 61, 84 | | | | TUBE, Oil Cooler |
| 5 | 05016144AA | 2 | 1, 5 | | 31, 61, 84 | | | | SEAL, O-Ring |
| 6 | 04734274 | 2 | | | | | | | SCREW, M6x1.0 |
| 7 | 04734274 | 2 | | | | | | | U-NUT, M6x1.00, (NOT SERVICED) |



DAKOTA (AN)

SERIES

1 = Dakota SXT 1 = Dakota 2WD
 3 = Dakota Sport 5 = Dakota 4WD
 4 = Dakota SLT
 7 = Dakota R/T

LINE

BODY

61 = Regular Cab (112 WB)
 31 = Club Cab (131 WB)
 84 = Quad Cab (131 WB)

ENGINE

EVA = 4.7L Magnum V8
 EKG = 3.7L 6 Cylinder

TRANSMISSION

DDC = 5 Speed HD Manual
 DG6 = Multispeed Auto 42RLE
 DGQ = Multispeed Auto 45RFE

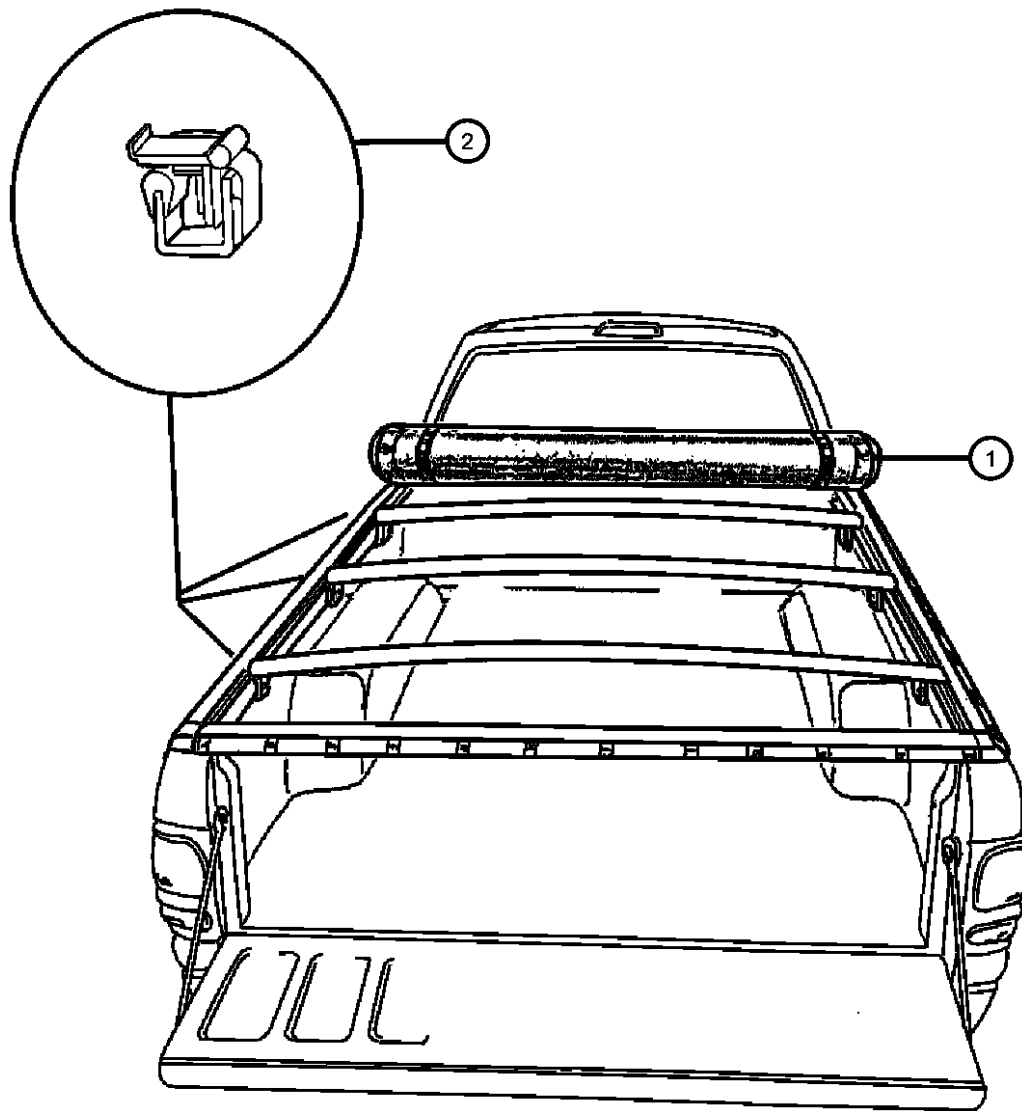
AR = use ase required - = Non illustrated part

Cover Kit - Tonneau
Figure 1-265

| ITEM | PART NUMBER | QTY | LINE | SERIES | BODY | ENGINE | TRANS | TRIM | DESCRIPTION |
|------|-------------|-----|------|--------|------|--------|-------|------|-------------|
|------|-------------|-----|------|--------|------|--------|-------|------|-------------|

NOTE; Not for use with OverRail Bedliners.

| | | | | | | | | | |
|---|------------|---|------|--|--------|--|--|--|--|
| 1 | 82208127 | 1 | 1, 5 | | 84 | | | | COVER KIT, Tonneau Snapless Style 5.25 Foot Bed |
| | 82208295 | 1 | | | 31, 61 | | | | Snapless Style 6.5 Foot Bed |
| 2 | 55364093AA | 4 | | | 84 | | | | CLAMP, Tonneau |
| | | 6 | | | 31, 61 | | | | |



DAKOTA (AN)

| | | | | |
|------------------|----------------|---------------------------|-----------------------|-----------------------------|
| SERIES | LINE | BODY | ENGINE | TRANSMISSION |
| 1 = Dakota SXT | 1 = Dakota 2WD | 61 = Regular Cab (112 WB) | EVA = 4.7L Magnum V8 | DDC = 5 Speed HD Manual |
| 3 = Dakota Sport | 5 = Dakota 4WD | 31 = Club Cab (131 WB) | EKG = 3.7L 6 Cylinder | DG6 = Multispeed Auto 42RLE |
| 4 = Dakota SLT | | 84 = Quad Cab (131 WB) | | DGQ = Multispeed Auto 45RFE |
| 7 = Dakota R/T | | | | |

AR = use ase required - = Non illustrated part

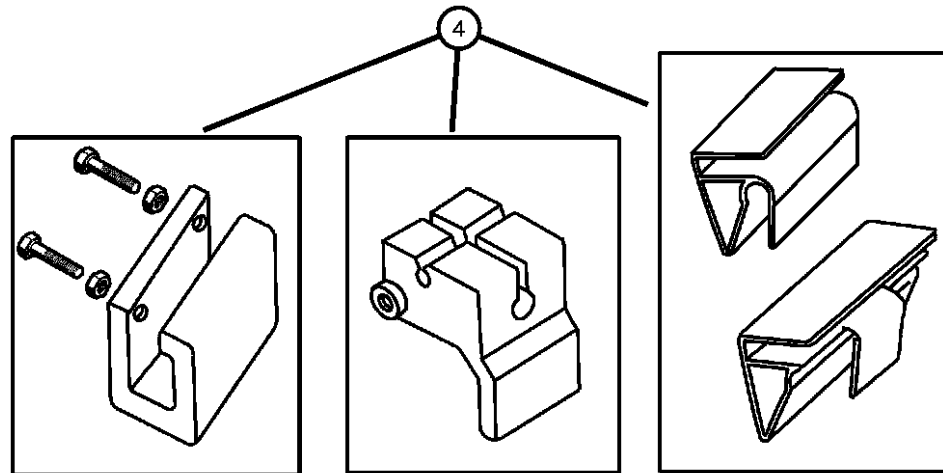
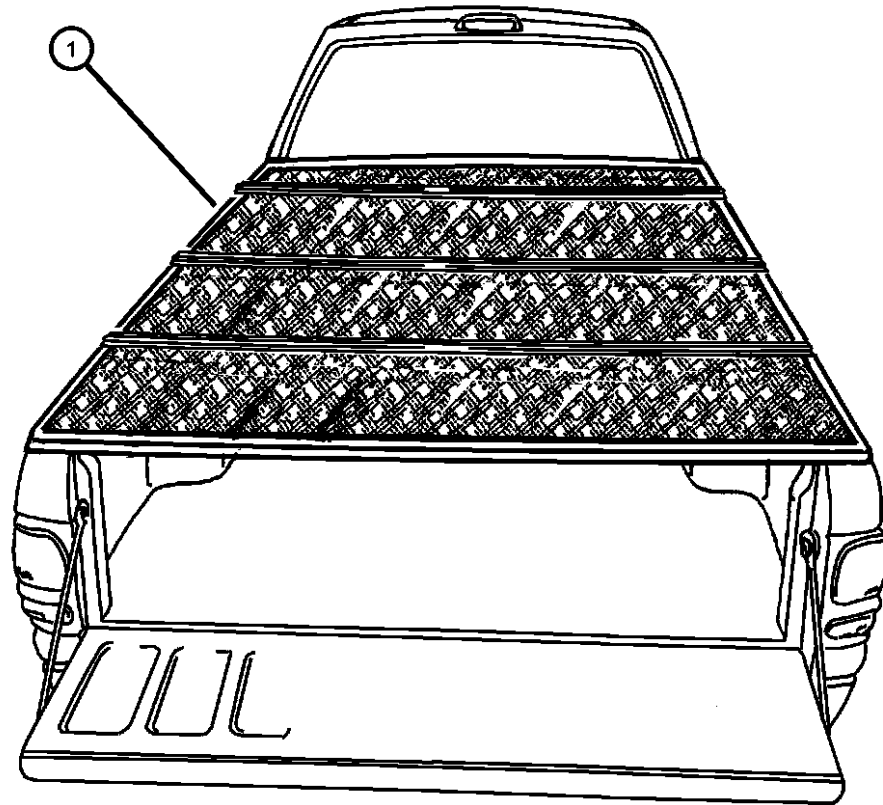
2004 AN

Cover Kit - Folding
Figure 1-270

| ITEM | PART NUMBER | QTY | LINE | SERIES | BODY | ENGINE | TRANS | TRIM | DESCRIPTION |
|------|-------------|-----|------|--------|------|--------|-------|------|-------------|
|------|-------------|-----|------|--------|------|--------|-------|------|-------------|

NOTE: 82202727 requires hardware kit for installation.

| | | | | | | | | | |
|----|------------|---|------|--|--------|--|--|--|--|
| 1 | 82202727 | 1 | 1, 5 | | 31, 61 | | | | COVER KIT, Tonneau-Folding 6.5 Foot Bed |
| | 82205224 | 1 | 1, 5 | | 84 | | | | 5.25 Foot Bed |
| -2 | 05018118AA | 1 | 1, 5 | | 31, 61 | | | | LOCK KIT, Folding-tonneau |
| -3 | 05018386AA | 1 | 1, 5 | | 31, 61 | | | | KEY, Master |
| 4 | 82203246 | 1 | 1, 5 | | 31, 61 | | | | HARDWARE KIT, Tonneau - Folding |



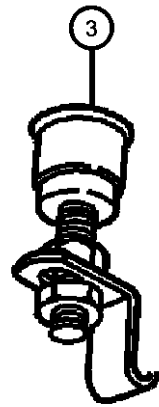
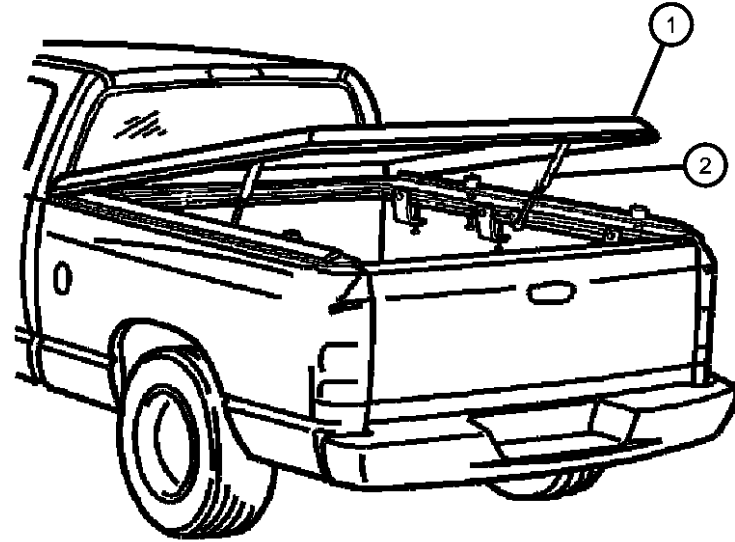
DAKOTA (AN)

| | | | | |
|------------------|----------------|---------------------------|-----------------------|-----------------------------|
| SERIES | LINE | BODY | ENGINE | TRANSMISSION |
| 1 = Dakota SXT | 1 = Dakota 2WD | 61 = Regular Cab (112 WB) | EVA = 4.7L Magnum V8 | DDC = 5 Speed HD Manual |
| 3 = Dakota Sport | 5 = Dakota 4WD | 31 = Club Cab (131 WB) | EKG = 3.7L 6 Cylinder | DG6 = Multispeed Auto 42RLE |
| 4 = Dakota SLT | | 84 = Quad Cab (131 WB) | | DGQ = Multispeed Auto 45RFE |
| 7 = Dakota R/T | | | | |

AR = use ase required - = Non illustrated part

2004 AN

Cover Kit - Tonneau Hard, One Piece
Figure 1-275



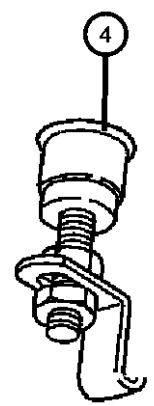
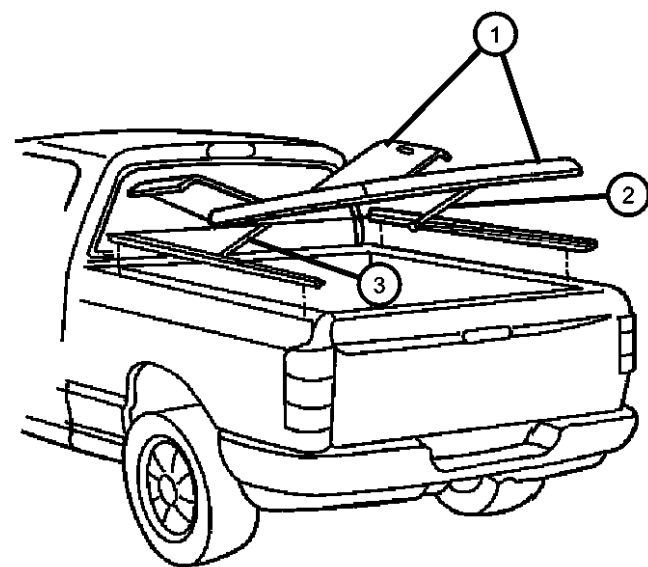
| ITEM | PART NUMBER | QTY | LINE | SERIES | BODY | ENGINE | TRANS | TRIM | DESCRIPTION |
|------|-------------|-----|------|--------|--------|--------|-------|------|--|
| 1 | | | | | | | | | COVER KIT, Tonneau-Hard, One Piece, 6.5 Foot Bed |
| | 82204366 | 1 | 1, 5 | | 31, 61 | | | | Black |
| | 82204368 | 1 | 1, 5 | | 31, 61 | | | | Flame Red |
| | 82204370 | 1 | 1, 5 | | 31, 61 | | | | White |
| | 82205797 | 1 | 1, 5 | | 31, 61 | | | | Patriot Blue |
| | 82206992 | 1 | 1, 5 | | 31, 61 | | | | Bright Silver Metallic |
| | 82207442 | 1 | | | 31, 61 | | | | Light Almond |
| | 82207443 | 1 | | | 31, 61 | | | | Atlantic Blue |
| | 82207444 | 1 | | | 31, 61 | | | | Graphite Metallic |
| | 82207986 | 1 | | | 31, 61 | | | | Timberline Green |
| 2 | 05018067AA | 1 | 1, 5 | | 31, 61 | | | | GAS PROP KIT, Tonneau-hard |
| 3 | 05018117AA | 1 | 1, 5 | | 31, 61 | | | | LOCK KIT, Hard-tonneau |
| 4 | 05018343AA | 1 | 1, 5 | | 31, 61 | | | | KEY, Master |

DAKOTA (AN)

| SERIES | LINE | BODY | ENGINE | TRANSMISSION |
|------------------|----------------|---------------------------|-----------------------|-----------------------------|
| 1 = Dakota SXT | 1 = Dakota 2WD | 61 = Regular Cab (112 WB) | EVA = 4.7L Magnum V8 | DDC = 5 Speed HD Manual |
| 3 = Dakota Sport | 5 = Dakota 4WD | 31 = Club Cab (131 WB) | EKG = 3.7L 6 Cylinder | DG6 = Multispeed Auto 42RLE |
| 4 = Dakota SLT | | 84 = Quad Cab (131 WB) | | DGQ = Multispeed Auto 45RFE |
| 7 = Dakota R/T | | | | |

AR = use ase required - = Non illustrated part

Cover Kit - Tonneau, Gull Wing Style
Figure 1-276



| ITEM | PART NUMBER | QTY | LINE | SERIES | BODY | ENGINE | TRANS | TRIM | DESCRIPTION |
|------|-------------|-----|------|--------|------|--------|-------|------|----------------------------|
| 1 | | | | | | | | | COVER KIT, Tonneau-Hard |
| | 82205069 | 1 | 1, 5 | | 84 | | | | Black |
| | 82205070 | 1 | 1, 5 | | 84 | | | | White |
| | 82205072 | 1 | | | 84 | | | | Flame Red |
| | 82205076 | 1 | | | 84 | | | | Patriot Blue |
| | 82206991 | 1 | 1, 5 | | 84 | | | | Bright Silver Metallic |
| | 82207445 | 1 | | | 84 | | | | Light Almond |
| | 82207446 | 1 | | | 84 | | | | Atlantic Blue |
| | 82207447 | 1 | | | 84 | | | | Graphite Metallic |
| | 82207987 | 1 | | | 84 | | | | Timberline Green |
| 2 | 05018067AA | 1 | | | 84 | | | | GAS PROP KIT, Tonneau-hard |
| 3 | 05018201AA | 1 | | | 84 | | | | GAS PROP KIT, Tonneau-hard |
| 4 | 05018117AA | 1 | 1, 5 | | 84 | | | | LOCK KIT, Hard-tonneau |
| 5 | 05018343AA | 1 | | | 84 | | | | KEY, Master |

DAKOTA (AN)

| | | | | |
|------------------|----------------|---------------------------|-----------------------|-----------------------------|
| SERIES | LINE | BODY | ENGINE | TRANSMISSION |
| 1 = Dakota SXT | 1 = Dakota 2WD | 61 = Regular Cab (112 WB) | EVA = 4.7L Magnum V8 | DDC = 5 Speed HD Manual |
| 3 = Dakota Sport | 5 = Dakota 4WD | 31 = Club Cab (131 WB) | EKG = 3.7L 6 Cylinder | DG6 = Multispeed Auto 42RLE |
| 4 = Dakota SLT | | 84 = Quad Cab (131 WB) | | DGQ = Multispeed Auto 45RFE |
| 7 = Dakota R/T | | | | |

AR = use ase required - = Non illustrated part