

VIN PLATE DECODING INFORMATION

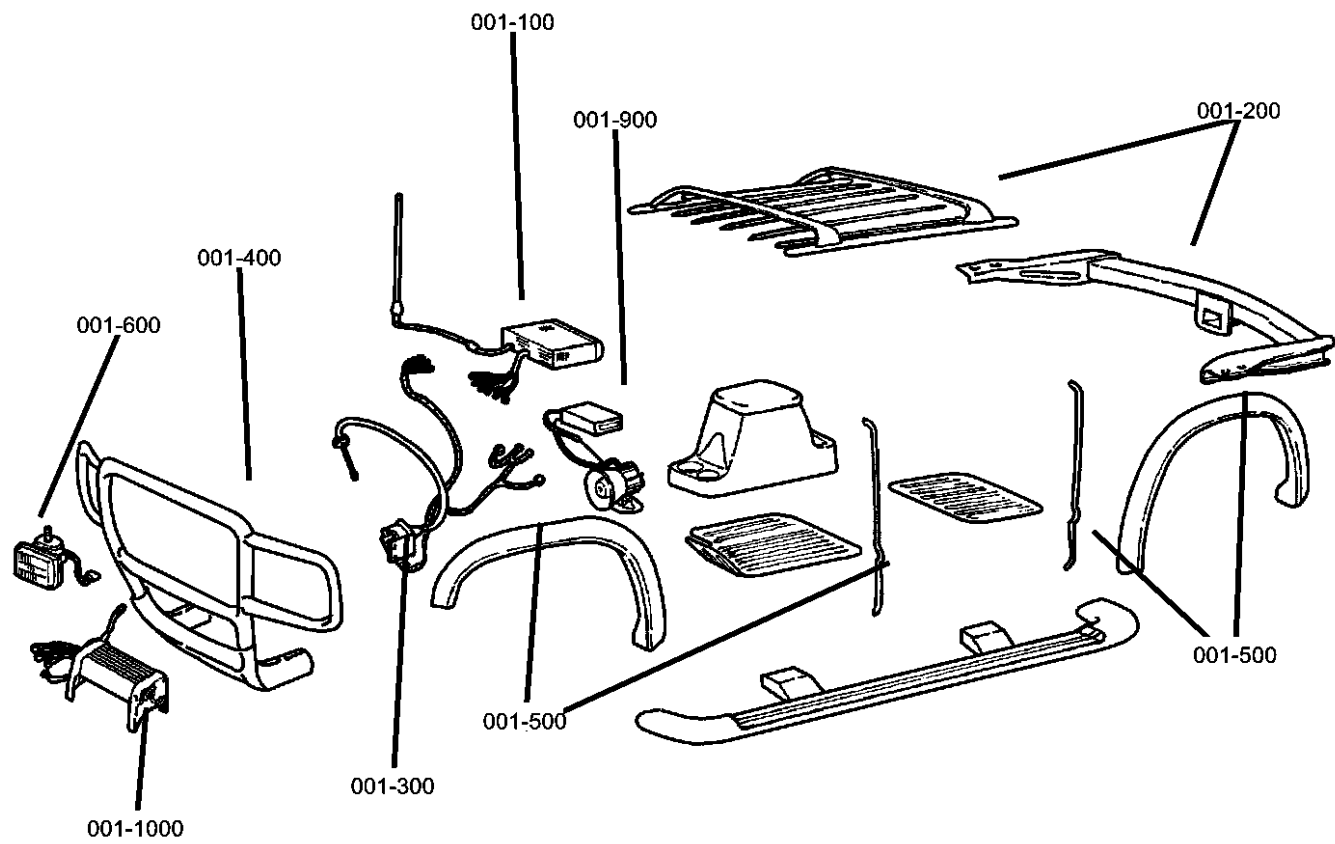
1	2	3	4	5	6	7	8	9	10	11	12 thru 17
Country	Make	Vehicle Type	Other	Line	Series	Body Style	Engine	Check Digit	Model Year	Assy. Plant	Sequence No.

The following table interprets the VIN Plate position shown above.

Position	Interpretation	Codes = Description
1	Country of Origin	1 = Built in U.S. by DaimlerChrysler Corporation 1 = U.S.
2	Assembler	D = Dodge
3	Vehicle Type	7 = Truck (CGS)
4	GVWR & Pass. Safety	L = 9001-10000 lbs (4083-4535 kg) D = 0-3000 lbs (0-1360 kg) M = 10001-14000 lbs (4536-6350 kg) E = 3001-4000 lbs (1361-1814 kg) F = 4001-5000 lbs (1815-2267 kg) G = 5001-6000 lbs (2268-2721 kg) H = 6001-7000 lbs (2722-3175 kg) J = 7001-8000 lbs (3176-3628 kg) K = 8001-9000 lbs (3629-4082 kg)
5	Vehicle Line	L = Dakota, Dakota/Sport, Dakota 4x2 G = Dakota, Dakota/Sport, Dakota 4x4
6	Series	1 = Dakota SXT 3 = Dakota Sport 4 = Dakota SLT 7 = Dakota R/T
7	Body Style	2 = Club Cab (31) 8 = Quad Club Cab (84) 6 = Regular Cab (61)
8	Engine	X = 3.9L 6 Cyl. Gasoline MPI (EHC) N = 4.7L 8 Cyl Gasoline (MPI) (EVA) Z = 5.9L 8 Cyl. Gasoline (MPI) LDC (EML)
9	Check Digit	0 = Check Digit 0 = Check Digit
10	Model Year	V = 1997 W = 1998 X = 1999 Y = 2000 1 = 2001 2 = 2002 3 = 2003
11	Assembly Plant	S = Dodge City
12 thru 17	Vehicle Build Sequence	Model Year Assembly Sequence

Group - 1

Component Parts for Mopar Accessories



Group - 1 Component Parts for Mopar Accessories

Group-Fig. No.

Illustration Title

Audio & Electronics

Player Kit - CD Changer - 6 Disc..... Fig. 1 - 110
 Navigation Kit..... Fig. 1 - 140

Carriers & Cargo Hauling

Carrier Kit - Bike Fork Mount..... Fig. 1 - 210
 Carrier Kit - Ski..... Fig. 1 - 214
 Wiring Kit - Trailer Tow - 7 Way..... Fig. 1 - 240
 Wiring Kit - Trailer Tow - 4 Way..... Fig. 1 - 242
 Cooler Kit - Transmission Oil..... Fig. 1 - 250
 Cover Kit - Tonneau..... Fig. 1 - 260
 Cover Kit - Folding..... Fig. 1 - 270
 Cover Kit - Tonneau..... Fig. 1 - 280
 Box Kit / Storage Box Exterior..... Fig. 1 - 290

Driving Convenience

Control Package - Speed..... Fig. 1 - 310

Exterior Appearance

Brush Guard..... Fig. 1 - 420
 Grill Guard..... Fig. 1 - 422

Exterior Protection

Bedliner, Trays and Mats..... Fig. 1 - 510
 Shield Kit - Air Front..... Fig. 1 - 530

Fog Lights & Electrical


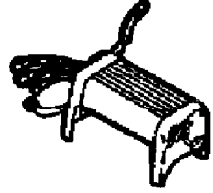


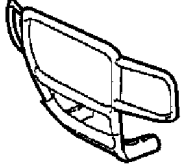
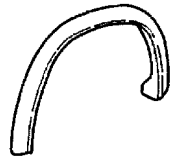


Heater Package - Engine Block..... Fig. 1 - 610

Security

Alarm - EVSII Base System..... Fig. 1 - 910
 Alarm, EVSII Factory Keyless Entry..... Fig. 1 - 914

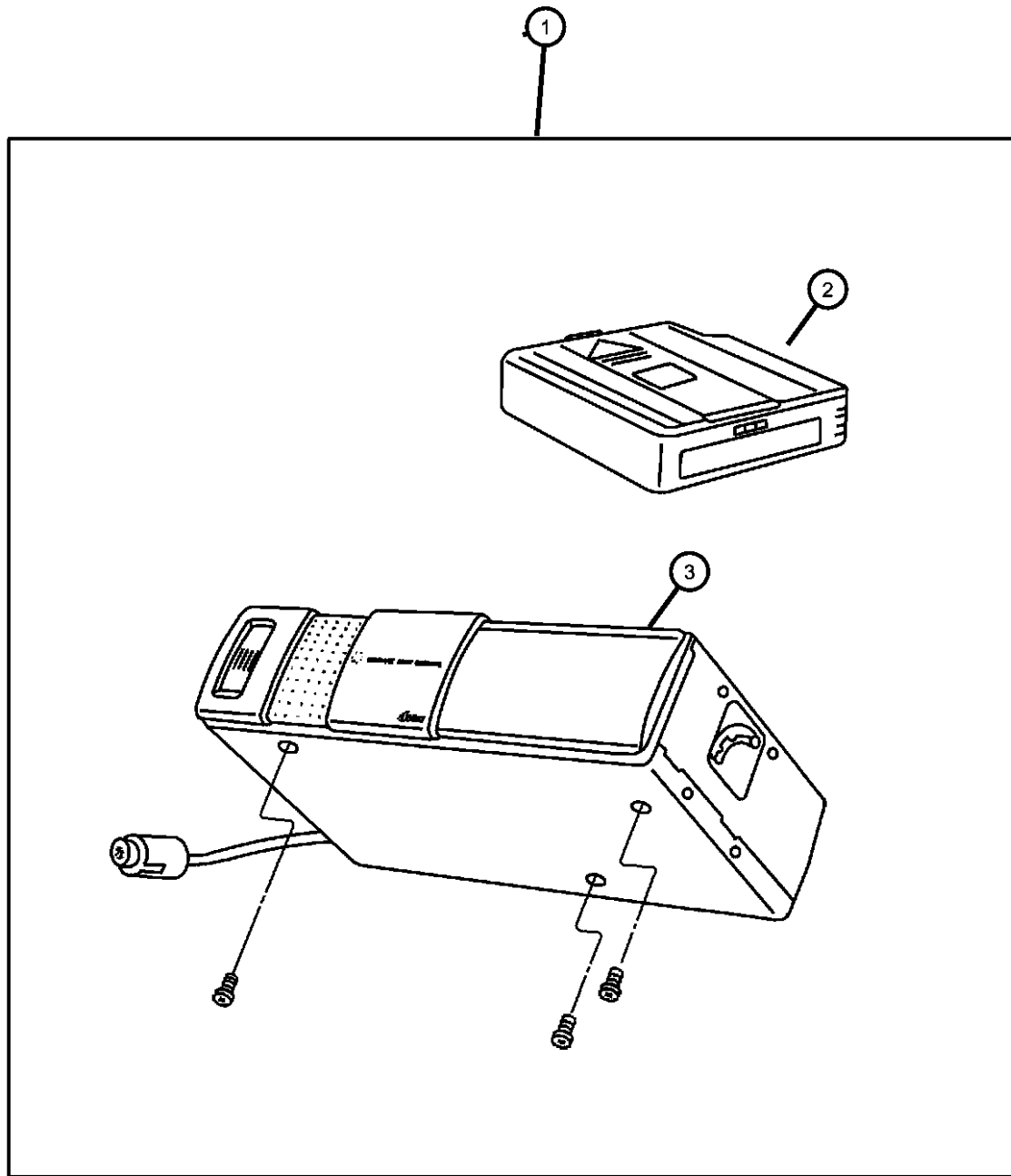
4 - Wheeling & Off Road

Plate Package - Skid, Front..... Fig. 1 - 1020
 Plate Package - Skid, Fuel Tank..... Fig. 1 - 1022

<p>001-100 Audio & Electronics</p> 	<p>001-1000 4 - Wheeling & Off Road</p> 	<p>001-200 Carriers & Cargo Hauling</p> 	<p>001-300 Driving Convenience</p> 
<p>001-400 Exterior Appearance</p> 	<p>001-500 Exterior Protection</p> 	<p>001-600 Fog Lights & Electrical</p> 	<p>001-900 Security</p> 

Player Kit - CD Changer - 6 Disc
Figure 1-110

ITEM	PART NUMBER	QTY	LINE	SERIES	BODY	ENGINE	TRANS	TRIM	DESCRIPTION
1	82207483	1							PLAYER KIT, CD Changer - 6 Disc
2	04797433	1							MAGAZINE, CD Changer
3	04797433	1							CHANGER, CD, (NOT SERVICED)



DAKOTA (AN)

SERIES	LINE
1 = Dakota SXT	5 = Dakota 4WD
3 = Dakota Sport	1 = Dakota 2WD
4 = Dakota SLT	
7 = Dakota R/T	

BODY
61 = Reg. Cab (112 WB)
31 = Club Cab (131 WB)
84 = Quad Cab (131 WB)

ENGINE
EHC = 3.9L 6 Cylinder
EML = 5.9L 8 Cylinder
EVA = 4.7L Magnum V8
EHO = All 3.9L
EMO = All 5.9L
EVO = All 4.7L

TRANSMISSION
DGK = 4 Speed Automatic 42RE
DGT = 4 Speed Automatic 46RE
DDC = 5 Speed HD Manual
DDK = 5 Speed HD Manual
DG4 = Multispeed Automatic 45RFE
DG0 = All Automatic Transmissions
DBB = All Manual Transmissions

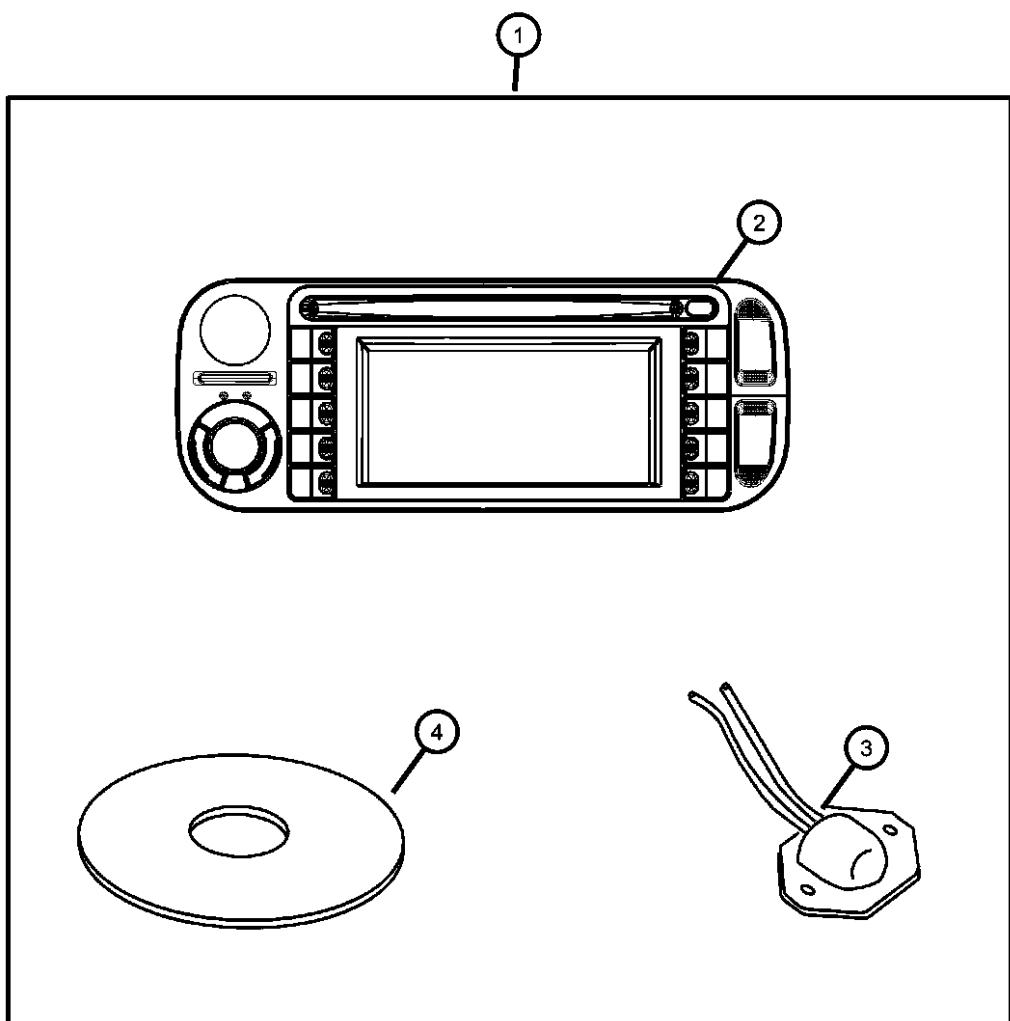
AR = use ase required - = Non illustrated part

Navigation Kit
Figure 1-140

ITEM	PART NUMBER	QTY	LINE	SERIES	BODY	ENGINE	TRANS	TRIM	DESCRIPTION
------	-------------	-----	------	--------	------	--------	-------	------	-------------

Note: For warranty order item #2, use a 'z' prefix through funtion 11

1	82206406	1							RADIO, AM/FM CD W/NAV/DVD & CD-CTRL
2	56038629AC	1							RADIO, AM/FM CD W/NAV/DVD & CD-CTRL
3	56038630AA	1							ANTENNA, GPS
4	56038642AA	1							DVD, Geographic Database



DAKOTA (AN)

SERIES	LINE
1 = Dakota SXT	5 = Dakota 4WD
3 = Dakota Sport	1 = Dakota 2WD
4 = Dakota SLT	
7 = Dakota R/T	

BODY
61 = Reg. Cab (112 WB)
31 = Club Cab (131 WB)
84 = Quad Cab (131 WB)

ENGINE
EHC = 3.9L 6 Cylinder
EML = 5.9L 8 Cylinder
EVA = 4.7L Magnum V8
EHO = All 3.9L
EMO = All 5.9L
EVO = All 4.7L

TRANSMISSION
DGK = 4 Speed Automatic 42RE
DGT = 4 Speed Automatic 46RE
DDC = 5 Speed HD Manual
DDK = 5 Speed HD Manual
DG4 = Multispeed Automatic 45RFE
DG0 = All Automatic Transmissions
DBB = All Manual Transmissions

AR = use ase required - = Non illustrated part

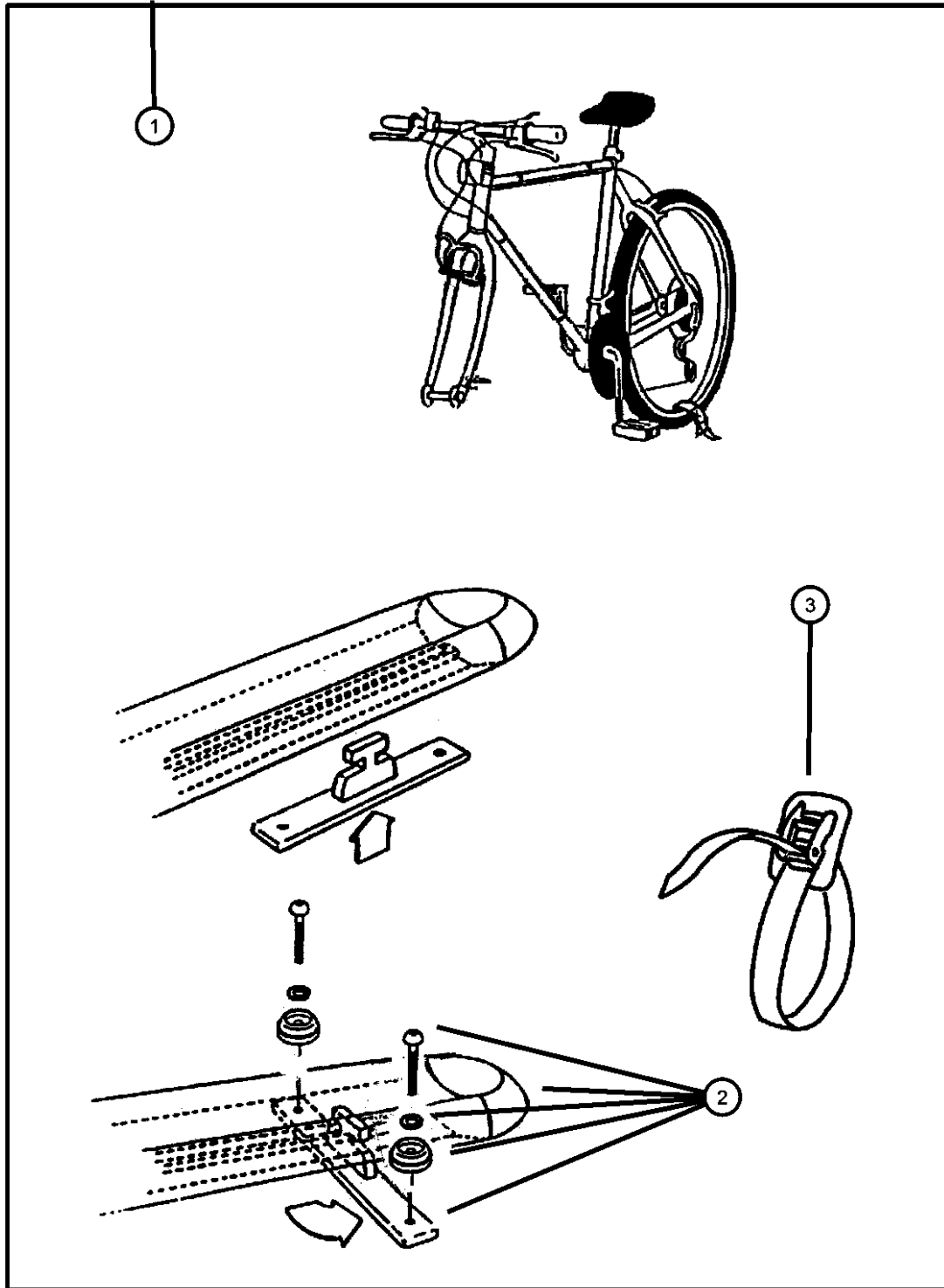
2003 AN

Carrier Kit - Bike Fork Mount
Figure 1-210

ITEM	PART NUMBER	QTY	LINE	SERIES	BODY	ENGINE	TRANS	TRIM	DESCRIPTION
------	-------------	-----	------	--------	------	--------	-------	------	-------------

NOTE: Hardware Kit also contained in Carrier Kit.

1									CARRIER KIT, Bike, Fork - Mount
	82203471	1	1, 5		84				
	82300585	1							
2	82300585	1							HARDWARE KIT, Accessory, (NOT SERVICED)
3	05016513AA	1							STRAP, Cargo Tie Down
-4	05066632AA	1			84				TOOL, Screw Driver



DAKOTA (AN)

SERIES	LINE
1 = Dakota SXT	5 = Dakota 4WD
3 = Dakota Sport	1 = Dakota 2WD
4 = Dakota SLT	
7 = Dakota R/T	

BODY
61 = Reg. Cab (112 WB)
31 = Club Cab (131 WB)
84 = Quad Cab (131 WB)

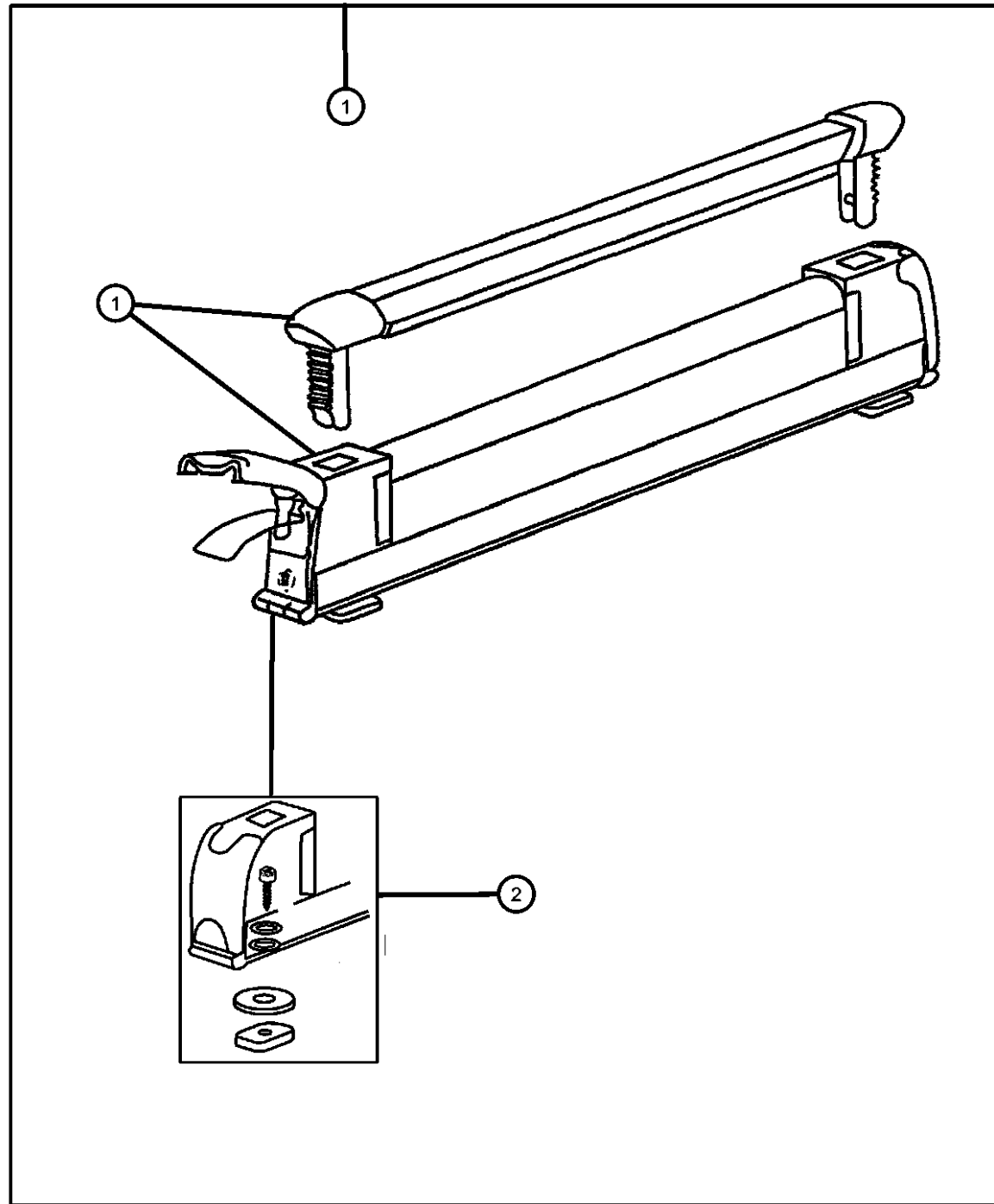
ENGINE
EHC = 3.9L 6 Cylinder
EML = 5.9L 8 Cylinder
EVA = 4.7L Magnum V8
EHO = All 3.9L
EMO = All 5.9L
EVO = All 4.7L

TRANSMISSION
DGK = 4 Speed Automatic 42RE
DGT = 4 Speed Automatic 46RE
DDC = 5 Speed HD Manual
DDK = 5 Speed HD Manual
DG4 = Multispeed Automatic 45RFE
DG0 = All Automatic Transmissions
DBB = All Manual Transmissions

AR = use ase required - = Non illustrated part

2003 AN

Carrier Kit -Ski
Figure 1-214



ITEM	PART NUMBER	QTY	LINE	SERIES	BODY	ENGINE	TRANS	TRIM	DESCRIPTION
1									CARRIER KIT, Ski
	82207308	1			84				
	82207312	1			84				3 Pair
2	05086158AA	1			84				HARDWARE KIT, Accessory

DAKOTA (AN)

SERIES LINE

1 = Dakota SXT 5 = Dakota 4WD
3 = Dakota Sport 1 = Dakota 2WD
4 = Dakota SLT
7 = Dakota R/T

BODY

61 = Reg. Cab (112 WB)
31 = Club Cab (131 WB)
84 = Quad Cab (131 WB)

ENGINE

EHC = 3.9L 6 Cylinder
EML = 5.9L 8 Cylinder
EVA = 4.7L Magnum V8
EH0 = All 3.9L
EM0 = All 5.9L
EVO = All 4.7L

TRANSMISSION

DGK = 4 Speed Automatic 42RE
DGT = 4 Speed Automatic 46RE
DDC = 5 Speed HD Manual
DDK = 5 Speed HD Manual
DG4 = Multispeed Automatic 45RFE
DG0 = All Automatic Transmissions
DBB = All Manual Transmissions

AR = use ase required - = Non illustrated part

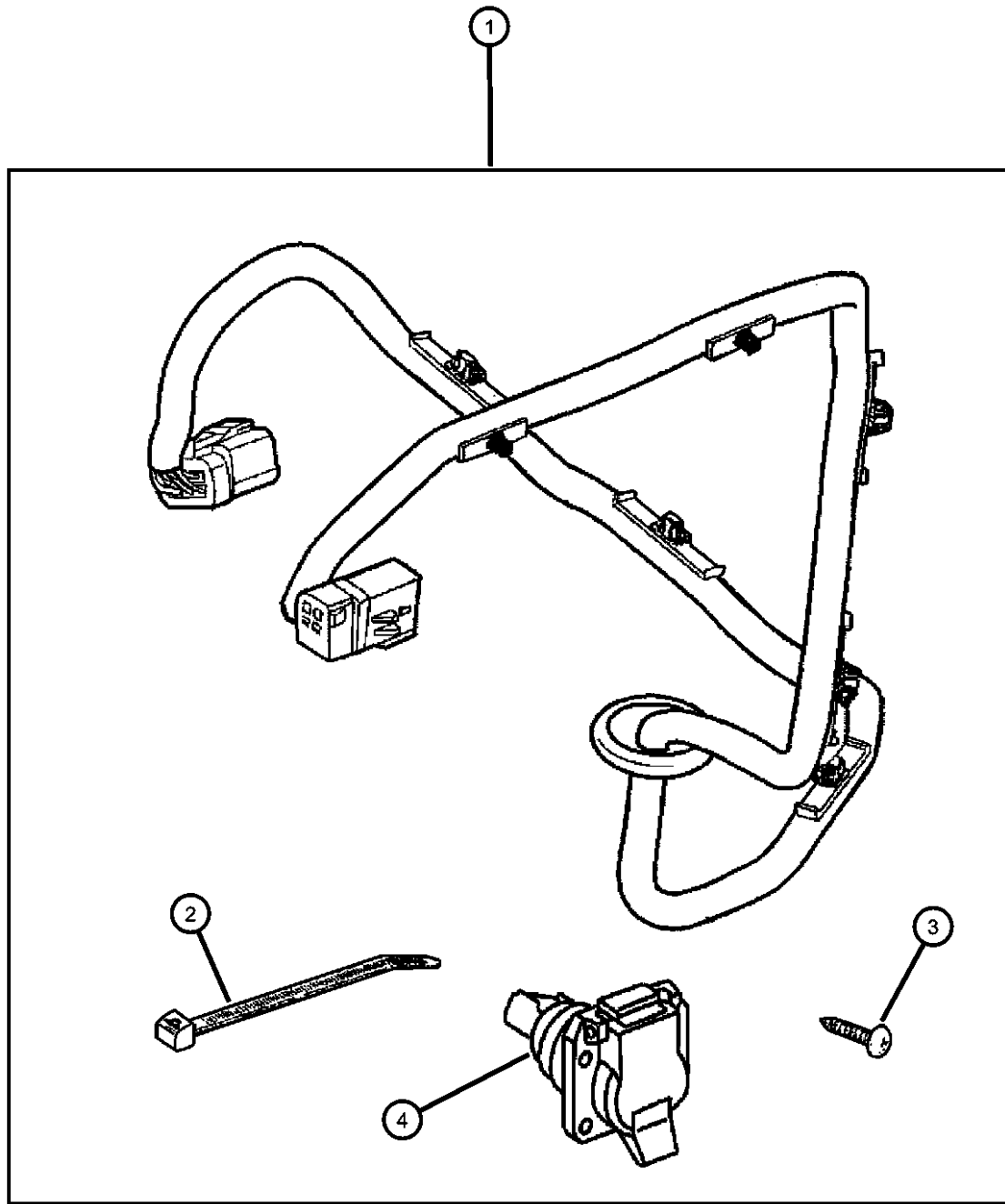
2003 AN

Wiring Kit - Trailer Tow - 7 Way
Figure 1-240

ITEM	PART NUMBER	QTY	LINE	SERIES	BODY	ENGINE	TRANS	TRIM	DESCRIPTION
------	-------------	-----	------	--------	------	--------	-------	------	-------------

NOTE: Will not fit Chassis Cab. Built in Running Light Relay.

1	82204724	1							WIRING KIT, Trailer Tow - 7 Way
2	05073039AA	1	1						STRAP, Tie
3	00154633	4							SCREW, .164-18x.625
4	56038366AB	1							CONNECTOR, 7 Way
-5	56007078	1							RELAY, Electrical

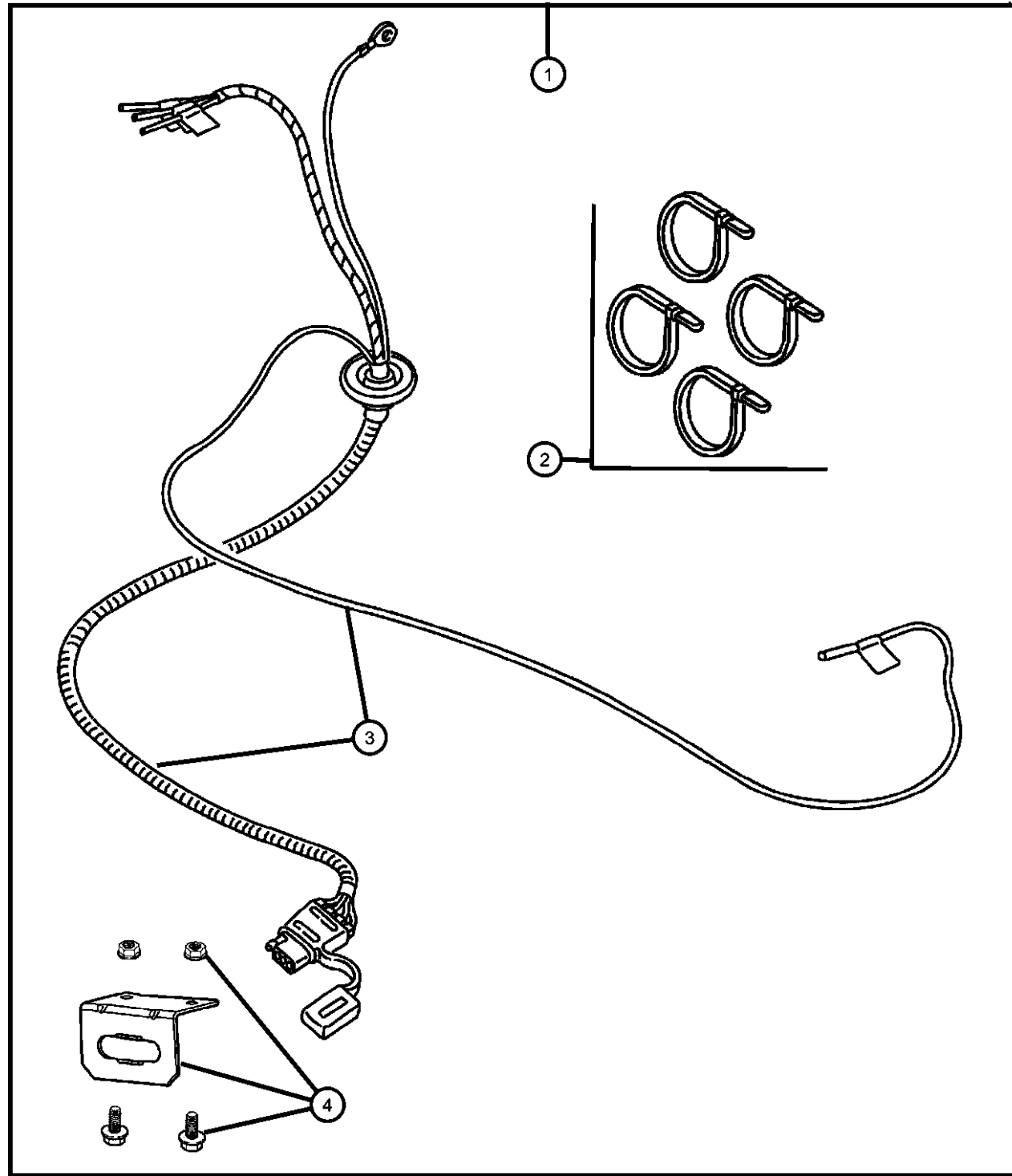


DAKOTA (AN)

SERIES	LINE	BODY	ENGINE	TRANSMISSION
1 = Dakota SXT	5 = Dakota 4WD	61 = Reg. Cab (112 WB)	EHC = 3.9L 6 Cylinder	DGK = 4 Speed Automatic 42RE
3 = Dakota Sport	1 = Dakota 2WD	31 = Club Cab (131 WB)	EML = 5.9L 8 Cylinder	DGT = 4 Speed Automatic 46RE
4 = Dakota SLT		84 = Quad Cab (131 WB)	EVA = 4.7L Magnum V8	DDC = 5 Speed HD Manual
7 = Dakota R/T			EHO = All 3.9L	DDK = 5 Speed HD Manual
			EMO = All 5.9L	DG4 = Multispeed Automatic 45RFE
			EVO = All 4.7L	DG0 = All Automatic Transmissions
				DBB = All Manual Transmissions

AR = use ase required - = Non illustrated part

Wiring Kit - Trailer Tow - 4 Way
Figure 1-242



ITEM	PART NUMBER	QTY	LINE	SERIES	BODY	ENGINE	TRANS	TRIM	DESCRIPTION
------	-------------	-----	------	--------	------	--------	-------	------	-------------

NOTE;

Molded cap with Mopar Logo.

1	82204641	1	1, 5		31, 61, 84				WIRING KIT, Trailer Tow, Four Way Flat
2	06016155	1	1, 5		31, 61, 84				STRAP, Tie
3	06016155	1							WIRING, Trailer Tow, Serviced in Kit, (NOT SERVICED)
4	82204602	1							BRACKET KIT, Trailer Tow

DAKOTA (AN)

SERIES	LINE
1 = Dakota SXT	5 = Dakota 4WD
3 = Dakota Sport	1 = Dakota 2WD
4 = Dakota SLT	
7 = Dakota R/T	

BODY
61 = Reg. Cab (112 WB)
31 = Club Cab (131 WB)
84 = Quad Cab (131 WB)

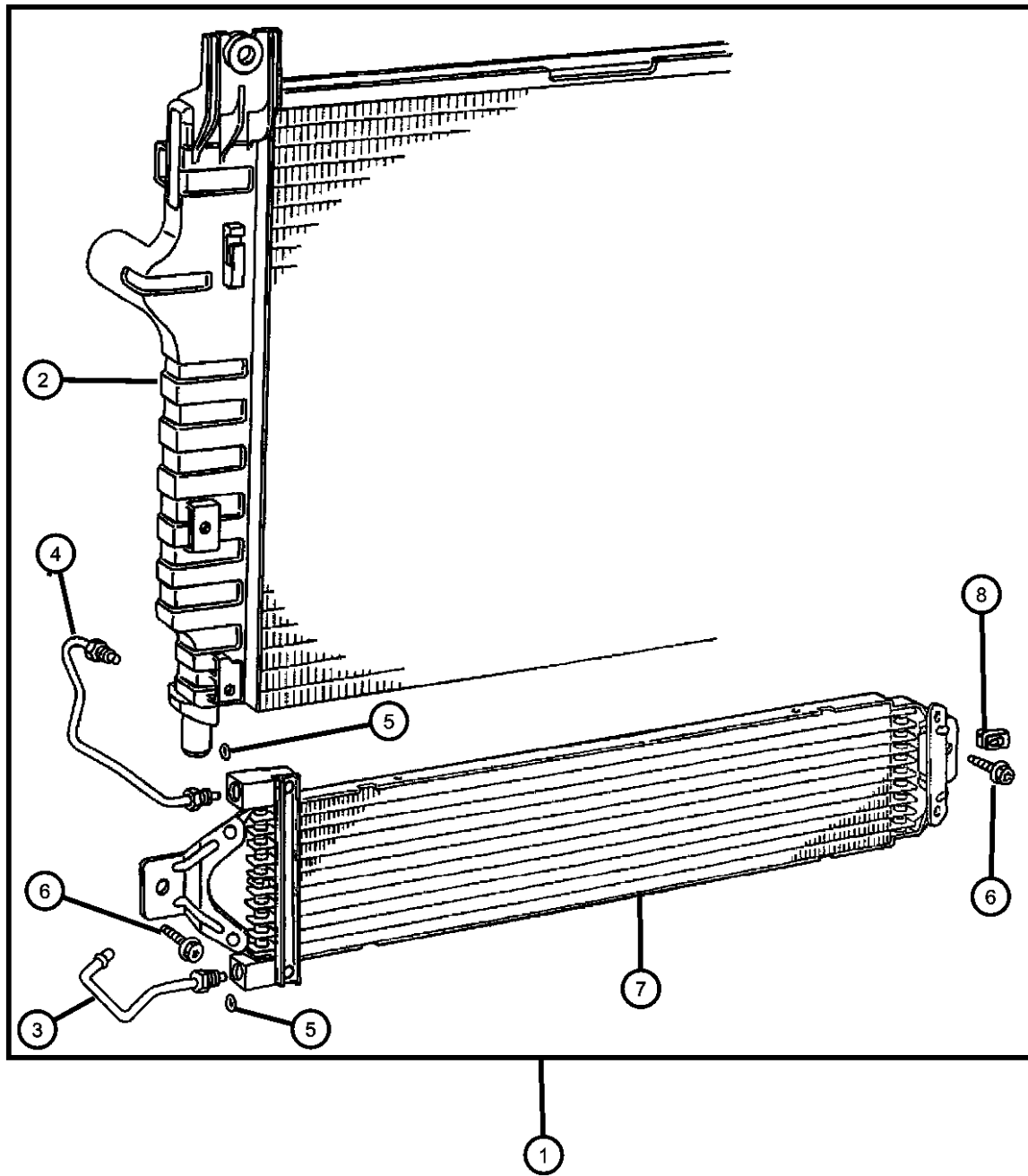
ENGINE
EHC = 3.9L 6 Cylinder
EML = 5.9L 8 Cylinder
EVA = 4.7L Magnum V8
EHO = All 3.9L
EMO = All 5.9L
EVO = All 4.7L

TRANSMISSION
DGK = 4 Speed Automatic 42RE
DGT = 4 Speed Automatic 46RE
DDC = 5 Speed HD Manual
DDK = 5 Speed HD Manual
DG4 = Multispeed Automatic 45RFE
DG0 = All Automatic Transmissions
DBB = All Manual Transmissions

AR = use ase required - = Non illustrated part

2003 AN

Cooler Kit - Transmission Oil
Figure 1-250



ITEM	PART NUMBER	QTY	LINE	SERIES	BODY	ENGINE	TRANS	TRIM	DESCRIPTION
1									COOLER PACKAGE, Transmission Oil
	82205677	1	1, 5		31, 61, 84				3.9L V6
	82205678	1	1, 5		31, 61, 84				4.7L and 5.9L V8
2									RADIATOR, Engine Cooling
	52028816AD	1							3.9L V6
	05066386AA								Mopar Coolant 5 Year/100,000 Mile Formula 1 Gallon
	52028818AD	1							4.7L and 5.9L V8
	05066386AA								Mopar Coolant 5 Year/100,000 Mile Formula 1 Gallon
3	05015416AA	1							TUBE, Oil Cooler
4	05015415AA	1							TUBE, Oil Cooler
5	05016144AA	1							SEAL, O-Ring
6	04734274	2							SCREW, M6x1.0
7	52028779AB	1							COOLER, Auxiliary Oil
8	52028779AB	1							U-NUT, M6x1.00, (NOT SERVICED)

DAKOTA (AN)

SERIES	LINE	BODY	ENGINE	TRANSMISSION
1 = Dakota SXT	5 = Dakota 4WD	61 = Reg. Cab (112 WB)	EHC = 3.9L 6 Cylinder	DGK = 4 Speed Automatic 42RE
3 = Dakota Sport	1 = Dakota 2WD	31 = Club Cab (131 WB)	EML = 5.9L 8 Cylinder	DGT = 4 Speed Automatic 46RE
4 = Dakota SLT		84 = Quad Cab (131 WB)	EVA = 4.7L Magnum V8	DDC = 5 Speed HD Manual
7 = Dakota R/T			EHO = All 3.9L	DDK = 5 Speed HD Manual
			EMO = All 5.9L	DG4 = Multispeed Automatic 45RFE
			EVO = All 4.7L	DG0 = All Automatic Transmissions
				DBB = All Manual Transmissions

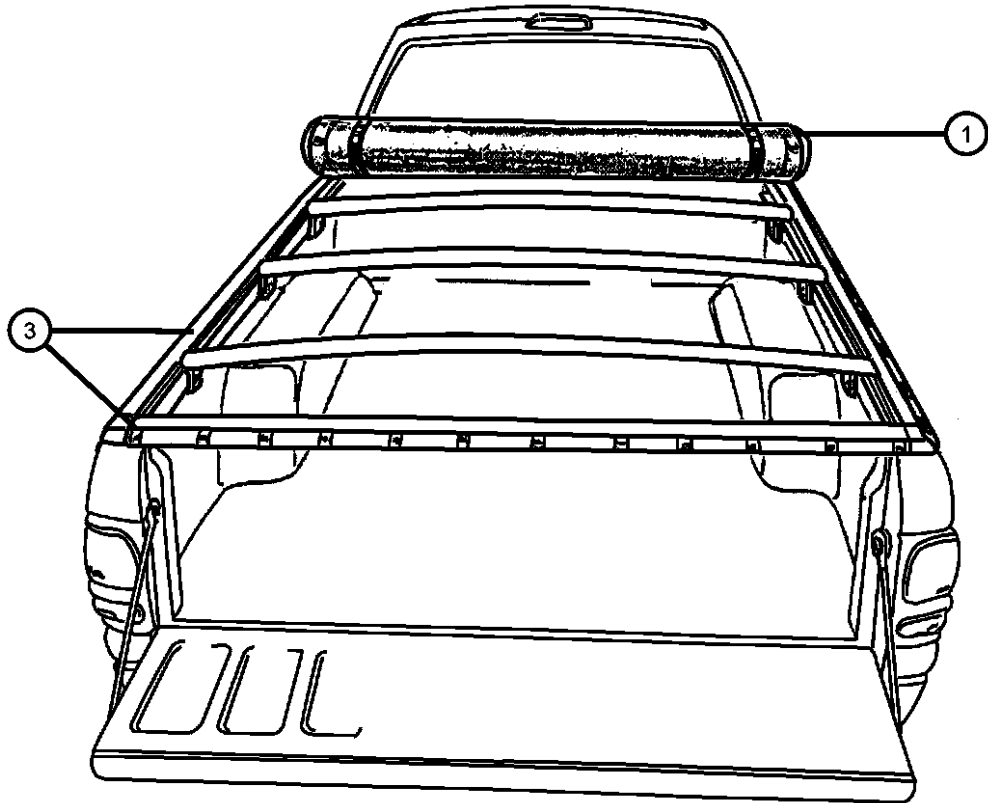
AR = use ase required - = Non illustrated part

Cover Kit - Tonneau
Figure 1-260

ITEM	PART NUMBER	QTY	LINE	SERIES	BODY	ENGINE	TRANS	TRIM	DESCRIPTION
------	-------------	-----	------	--------	------	--------	-------	------	-------------

NOTE; Not for use with OverRail Bedliners.

1									COVER, Tonneau
	82202723	1	1, 5		31, 61				Sport Style 6.5 Foot Bed
	82203122	1	1, 5		31, 61				Premium Style 6.5 Foot Bed
-2	05017515AA	1	1, 5		31, 61				SNAP KIT, Tonneau Cover
3	05018233AA	1	1, 5		31, 61				RAIL KIT, Tonneau - Rear Mounting
-4	05018424AA	1	1, 5		31, 61				CLAMP, Cover
-5									COVER KIT, Tonneau
	82204995	1	1, 5		31, 61				Snapless Style 6.5 Foot Bed
	82205000	1	1, 5		84				Snapless Style 5.25 Bed
-6	05014597AA	1	1, 5		31, 61				CLAMP, Over Center Style Clamp
-7	05018339AA	1	1, 5		31, 61				HARDWARE KIT, Mounting, Also Includes 4 Snapless Corner Pieces



DAKOTA (AN)

SERIES	LINE
1 = Dakota SXT	5 = Dakota 4WD
3 = Dakota Sport	1 = Dakota 2WD
4 = Dakota SLT	
7 = Dakota R/T	

BODY
61 = Reg. Cab (112 WB)
31 = Club Cab (131 WB)
84 = Quad Cab (131 WB)

ENGINE
EHC = 3.9L 6 Cylinder
EML = 5.9L 8 Cylinder
EVA = 4.7L Magnum V8
EHO = All 3.9L
EMO = All 5.9L
EVO = All 4.7L

TRANSMISSION
DGK = 4 Speed Automatic 42RE
DGT = 4 Speed Automatic 46RE
DDC = 5 Speed HD Manual
DDK = 5 Speed HD Manual
DG4 = Multispeed Automatic 45RFE
DG0 = All Automatic Transmissions
DBB = All Manual Transmissions

AR = use ase required - = Non illustrated part

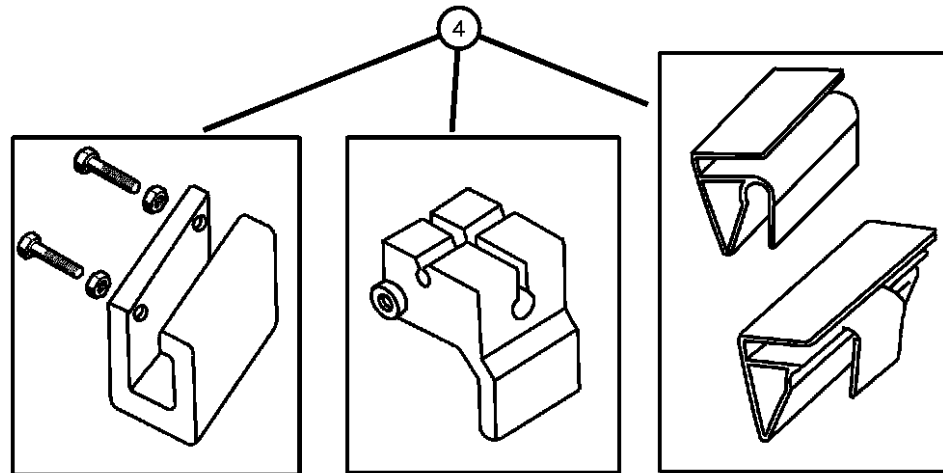
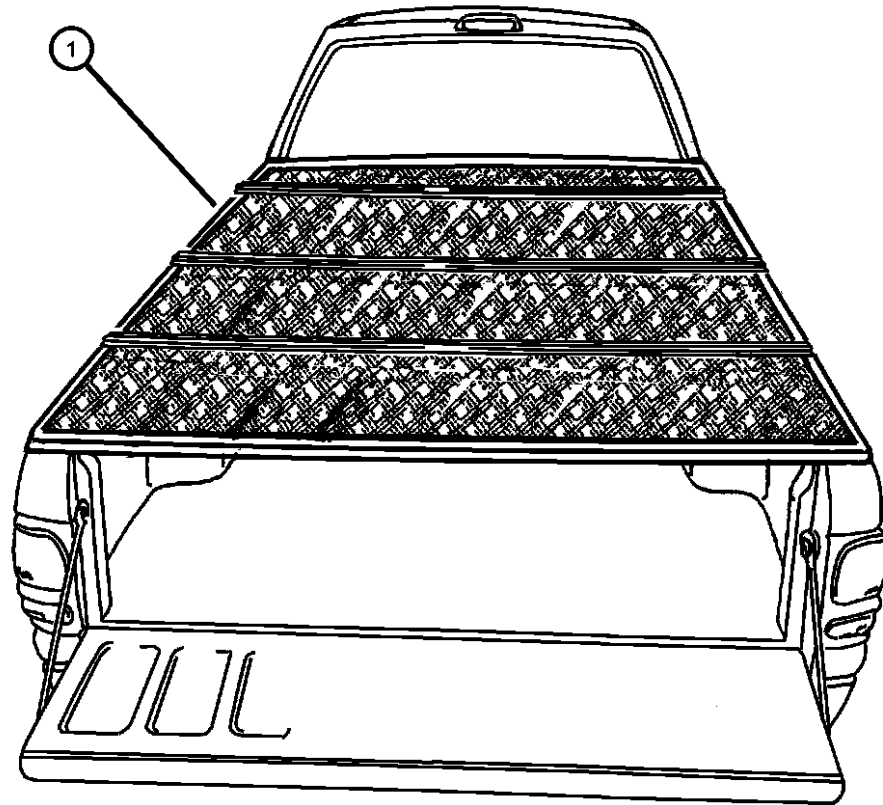
2003 AN

Cover Kit - Folding
Figure 1-270

ITEM	PART NUMBER	QTY	LINE	SERIES	BODY	ENGINE	TRANS	TRIM	DESCRIPTION
------	-------------	-----	------	--------	------	--------	-------	------	-------------

NOTE: 82202727 requires hardware kit for installation.

1									COVER KIT, Tonneau-Folding
	82202727	1	1, 5		31, 61				6.5 Foot Bed
	82205224	1	1, 5		84				5.25 Foot Bed Includes Hardware.
-2	05018118AA	1	1, 5		31, 61				LOCK KIT, Folding-tonneau
-3	05018386AA	1	1, 5		31, 61				KEY, Master
4	82203246	1	1, 5		31, 61				HARDWARE KIT, Tonneau - Folding



DAKOTA (AN)

SERIES	LINE
1 = Dakota SXT	5 = Dakota 4WD
3 = Dakota Sport	1 = Dakota 2WD
4 = Dakota SLT	
7 = Dakota R/T	

BODY
61 = Reg. Cab (112 WB)
31 = Club Cab (131 WB)
84 = Quad Cab (131 WB)

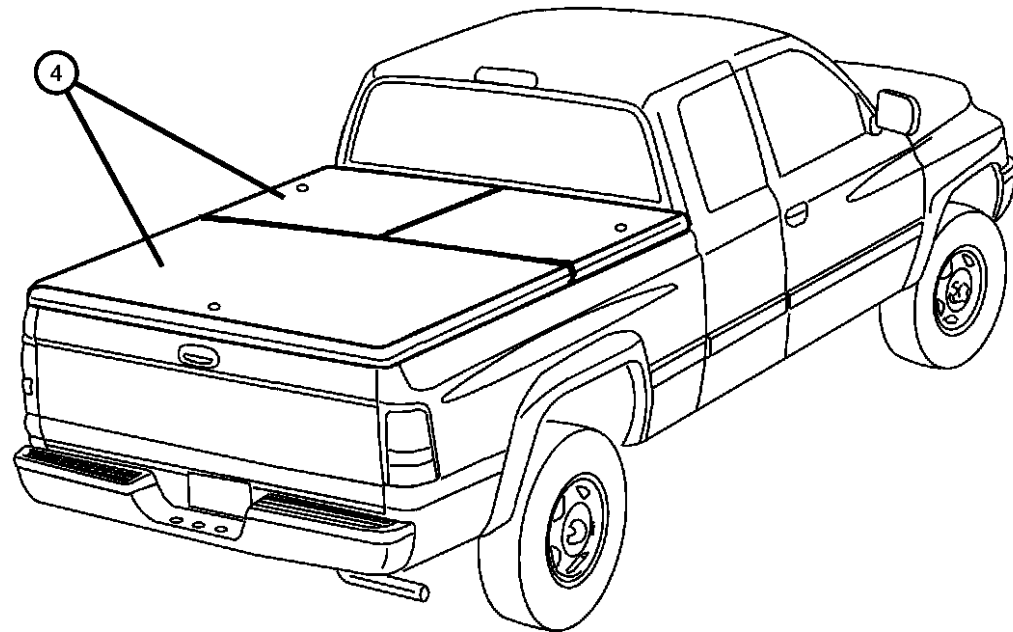
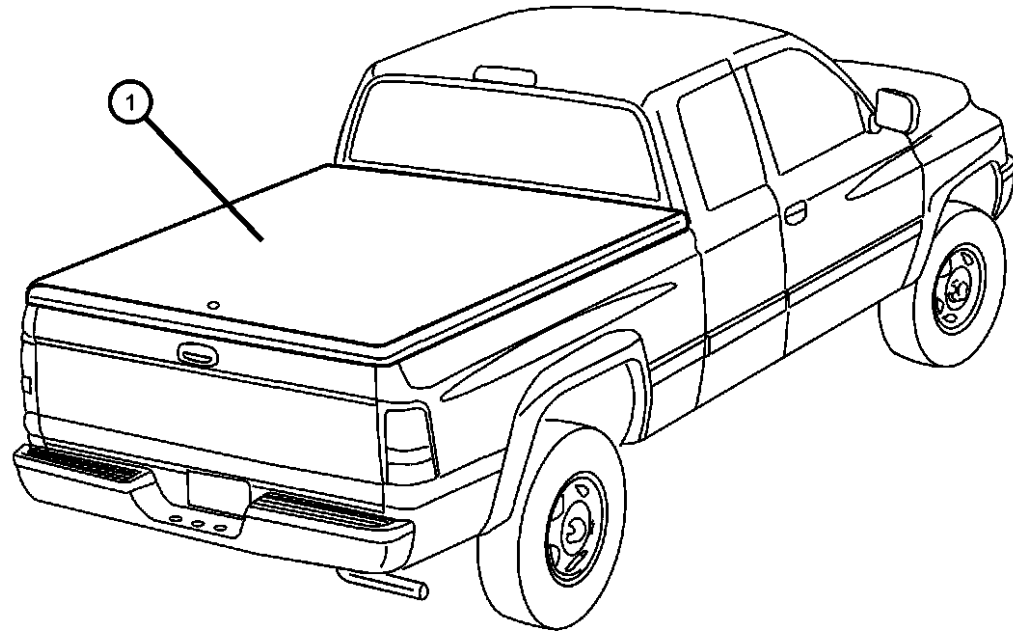
ENGINE
EHC = 3.9L 6 Cylinder
EML = 5.9L 8 Cylinder
EVA = 4.7L Magnum V8
EHO = All 3.9L
EMO = All 5.9L
EVO = All 4.7L

TRANSMISSION
DGK = 4 Speed Automatic 42RE
DGT = 4 Speed Automatic 46RE
DDC = 5 Speed HD Manual
DDK = 5 Speed HD Manual
DG4 = Multispeed Automatic 45RFE
DG0 = All Automatic Transmissions
DBB = All Manual Transmissions

AR = use ase required - = Non illustrated part

Cover Kit - Tonneau
Figure 1-280

ITEM	PART NUMBER	QTY	LINE	SERIES	BODY	ENGINE	TRANS	TRIM	DESCRIPTION
1									COVER KIT, Tonneau-Hard, One Piece, 6.5 Foot Bed
	82204366	1	1, 5		31, 61				Black
	82204368	1	1, 5		31, 61				Flame Red
	82204370	1	1, 5		31, 61				White
	82205797	1	1, 5		31, 61				Patriot Blue
	82205798	1	1, 5		31, 61				Garnet Red
	82206992	1	1, 5		31, 61				Bright Silver Metallic
-2	05018117AA	1	1, 5		84				LOCK KIT, Hard-tonneau
-3	05018343AA	1	1, 5		31, 61				KEY, Master
4									COVER KIT, Tonneau-Hard, Three Piece, 5.25 Foot Bed
	82205069	1	1, 5		84				Black
	82205070	1	1, 5		84				White
	82205072	1			84				Flame Red
	82205076	1			84				Patriot Blue
	82205077	1			84				Garnet Red
	82206991	1	1, 5		84				Bright Silver Metallic
-5									GAS PROP KIT, Tonneau-hard
	05018067AA	1			84				Rear
	05018201AA	1			84				Front
-6	05018117AA	1	1, 5		84				LOCK KIT, Hard-tonneau
-7	05018343AA	1			84				KEY, Master



DAKOTA (AN)

SERIES	LINE
1 = Dakota SXT	5 = Dakota 4WD
3 = Dakota Sport	1 = Dakota 2WD
4 = Dakota SLT	
7 = Dakota R/T	

BODY
61 = Reg. Cab (112 WB)
31 = Club Cab (131 WB)
84 = Quad Cab (131 WB)

ENGINE
EHC = 3.9L 6 Cylinder
EML = 5.9L 8 Cylinder
EVA = 4.7L Magnum V8
EHO = All 3.9L
EMO = All 5.9L
EVO = All 4.7L

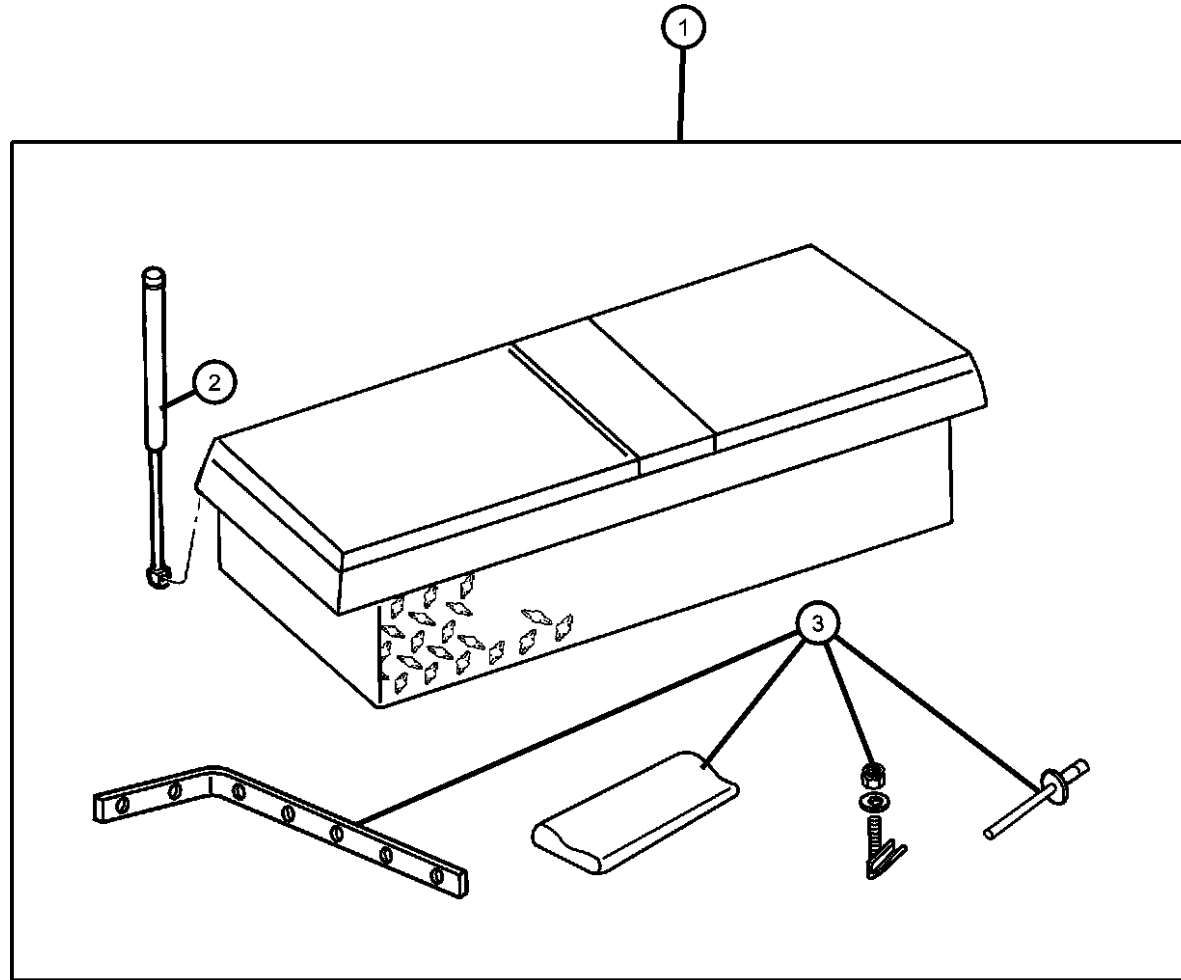
TRANSMISSION
DGK = 4 Speed Automatic 42RE
DGT = 4 Speed Automatic 46RE
DDC = 5 Speed HD Manual
DDK = 5 Speed HD Manual
DG4 = Multispeed Automatic 45RFE
DG0 = All Automatic Transmissions
DBB = All Manual Transmissions

AR = use ase required - = Non illustrated part

2003 AN

Box Kit / Storage Box Exterior
Figure 1-290

ITEM	PART NUMBER	QTY	LINE	SERIES	BODY	ENGINE	TRANS	TRIM	DESCRIPTION
1	82202791	1	1, 5		31, 61				BOX KIT, Storage-Exterior
2	05018533AA	1	1, 5		31, 61				STRUT, BOX
3	05018124AA	1	1, 5		31, 61				HARDWARE KIT, Storage Exterior



DAKOTA (AN)

SERIES	LINE
1 = Dakota SXT	5 = Dakota 4WD
3 = Dakota Sport	1 = Dakota 2WD
4 = Dakota SLT	
7 = Dakota R/T	

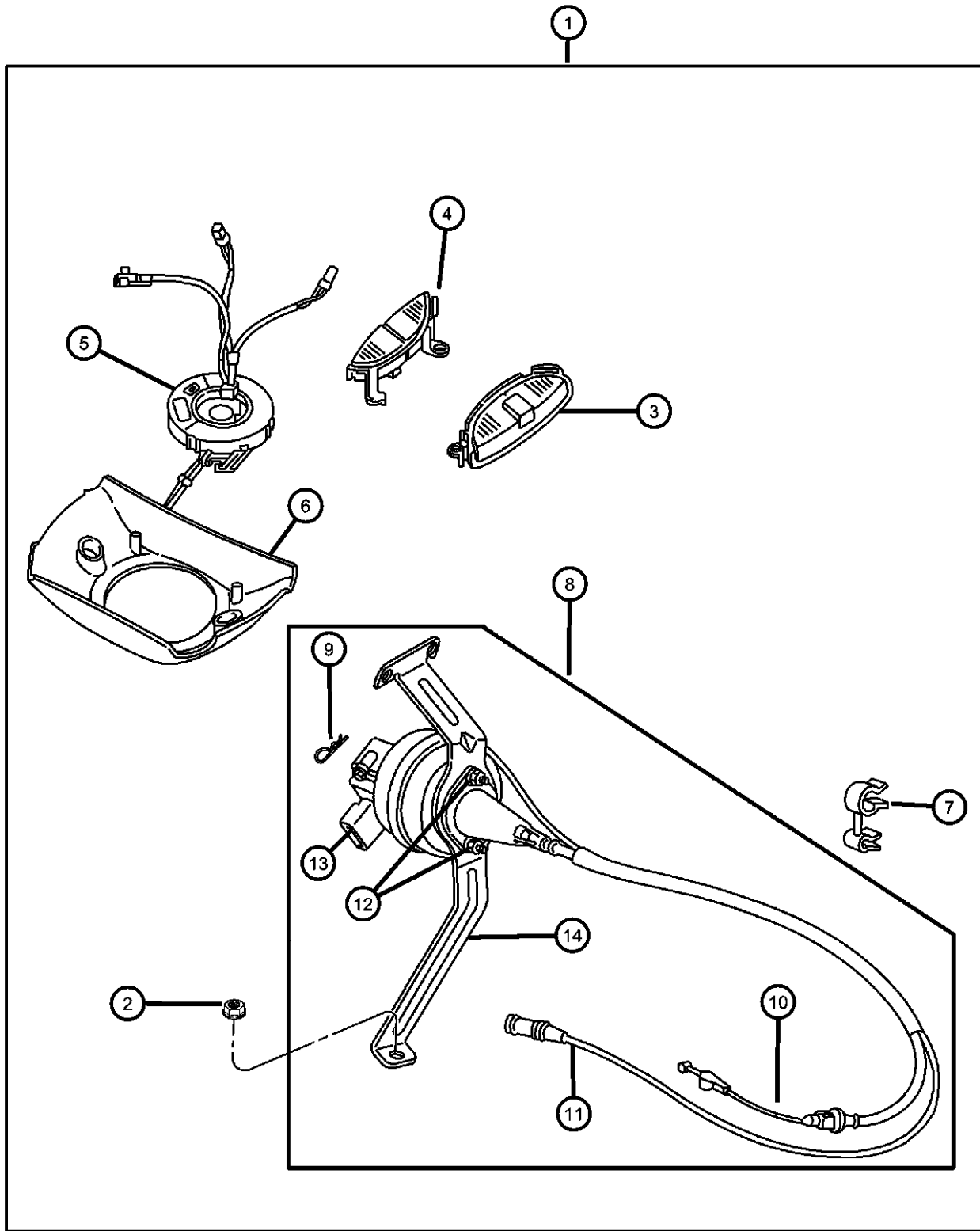
BODY
61 = Reg. Cab (112 WB)
31 = Club Cab (131 WB)
84 = Quad Cab (131 WB)

ENGINE
EHC = 3.9L 6 Cylinder
EML = 5.9L 8 Cylinder
EVA = 4.7L Magnum V8
EHO = All 3.9L
EMO = All 5.9L
EVO = All 4.7L

TRANSMISSION
DGK = 4 Speed Automatic 42RE
DGT = 4 Speed Automatic 46RE
DDC = 5 Speed HD Manual
DDK = 5 Speed HD Manual
DG4 = Multispeed Automatic 45RFE
DG0 = All Automatic Transmissions
DBB = All Manual Transmissions

AR = use ase required - = Non illustrated part

Control Package - Speed
Figure 1-310



ITEM	PART NUMBER	QTY	LINE	SERIES	BODY	ENGINE	TRANS	TRIM	DESCRIPTION
1									CONTROL PACKAGE, Speed Control
	82206969	1	1, 5		31, 61, 84				3.9L V6
	82206970	1	1, 5		31, 61, 84				4.7L V8
	82206971	1	1, 5		31, 61, 84				5.9L V8
2	82206971	1							NUT AND WASHER, M6x1.00, (NOT SERVICED),
3	56021332AB	1							SWITCH, Speed Control, Right
4	56021333AB	1							SWITCH, Speed Control, Left
5	56045403AF	1							CLOCKSPRING
6	05072981AA	1	1, 5		31, 61, 84				COVER, Steering Wheel Back
7	06506545AA	1							CLIP, Cruise Control, 4.7L V8
8	06506545AA	1							CONTROL, Speed, Service Component Parts, (NOT SERVICED)
9	06025867	1							CLIP, Cable to Servo Attach
10									CABLE, Speed Control
	05015853AA	1							5.9L V8
	05015856AA	1							3.9L V6
	05015857AE	1							4.7L V8
11									HARNESS, Speed Control Vacuum
	05015845AA	1							5.9L V8
		1							3.9L V6
	05015846AA	1							4.7L V8
12	06500274	1							LOCK NUT, M6x1.0x6
13	04669977	1							SERVO, Speed Control
14	05015843AA	1							BRACKET, Cruise Control Servo

DAKOTA (AN)

SERIES	LINE
1 = Dakota SXT	5 = Dakota 4WD
3 = Dakota Sport	1 = Dakota 2WD
4 = Dakota SLT	
7 = Dakota R/T	

BODY
61 = Reg. Cab (112 WB)
31 = Club Cab (131 WB)
84 = Quad Cab (131 WB)

ENGINE
EHC = 3.9L 6 Cylinder
EML = 5.9L 8 Cylinder
EVA = 4.7L Magnum V8
EHO = All 3.9L
EMO = All 5.9L
EVO = All 4.7L

TRANSMISSION
DGK = 4 Speed Automatic 42RE
DGT = 4 Speed Automatic 46RE
DDC = 5 Speed HD Manual
DDK = 5 Speed HD Manual
DG4 = Multispeed Automatic 45RFE
DG0 = All Automatic Transmissions
DBB = All Manual Transmissions

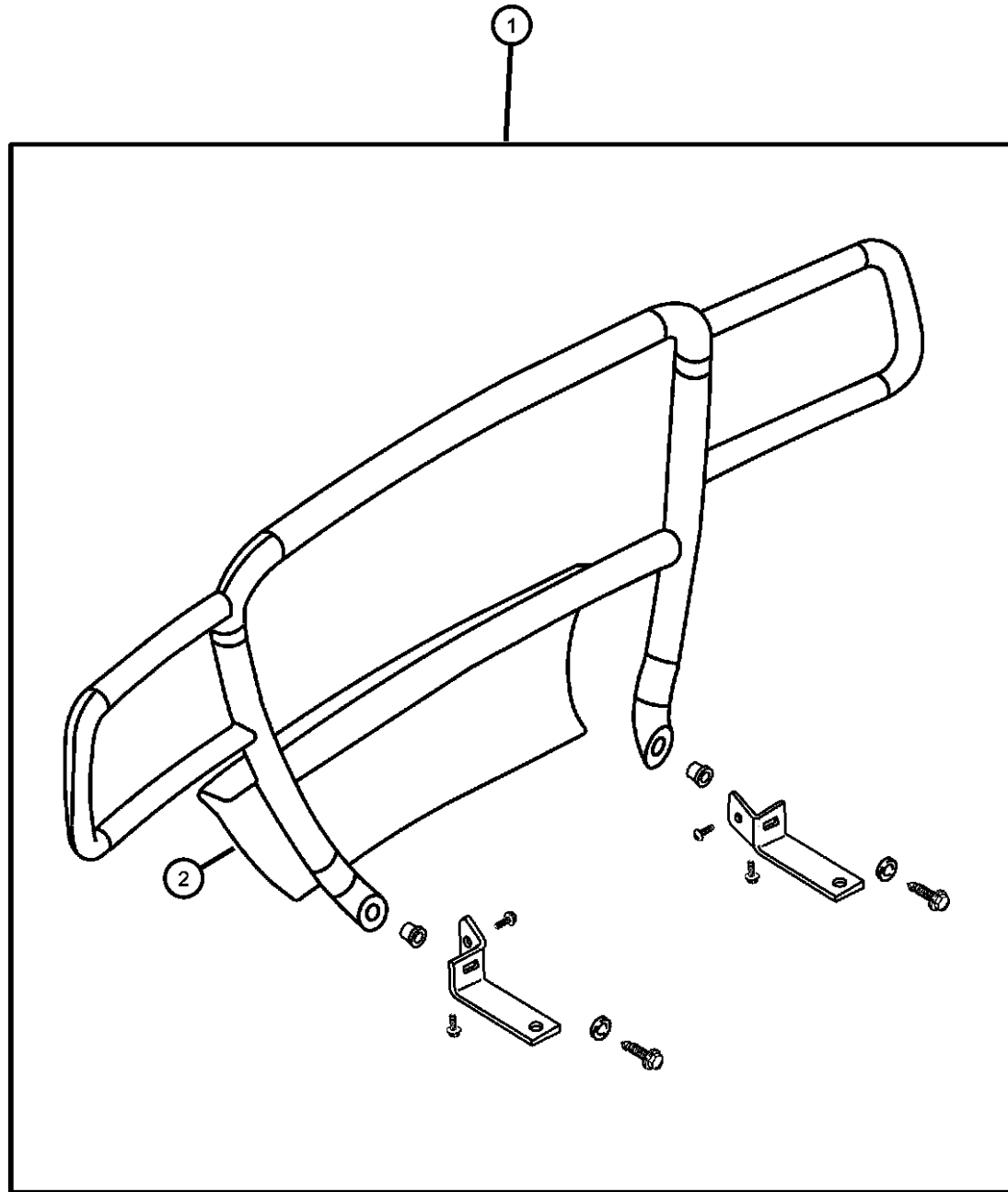
AR = use ase required - = Non illustrated part

2003 AN

**Brush Guard
Figure 1-420**

ITEM	PART NUMBER	QTY	LINE	SERIES	BODY	ENGINE	TRANS	TRIM	DESCRIPTION
------	-------------	-----	------	--------	------	--------	-------	------	-------------

NOTES:
[P.A.R.] = Paint as Required



1									GUARD KIT, Brush
	82206465	1	1, 5		31, 61, 84				Chromed Steel
	82206468	1	1, 5		31, 61, 84				Natural Aluminum
	82206469	1	1, 5		31, 61, 84				Black
	82206470	1	1, 5		31, 61, 84				Bright White
	82206471	1	1, 5		31, 61, 84				Flame Red
	82206473	1	1, 5		31, 61, 84				Patriot Blue
	82206474	1	1, 5		31, 61, 84				Bright Silver
	82206477	1			31, 61, 84				Garnet Red
2	05018364AA	1	1, 5		31, 61, 84				FASCIA, Front, Primed

DAKOTA (AN)

SERIES	LINE
1 = Dakota SXT	5 = Dakota 4WD
3 = Dakota Sport	1 = Dakota 2WD
4 = Dakota SLT	
7 = Dakota R/T	

BODY
61 = Reg. Cab (112 WB)
31 = Club Cab (131 WB)
84 = Quad Cab (131 WB)

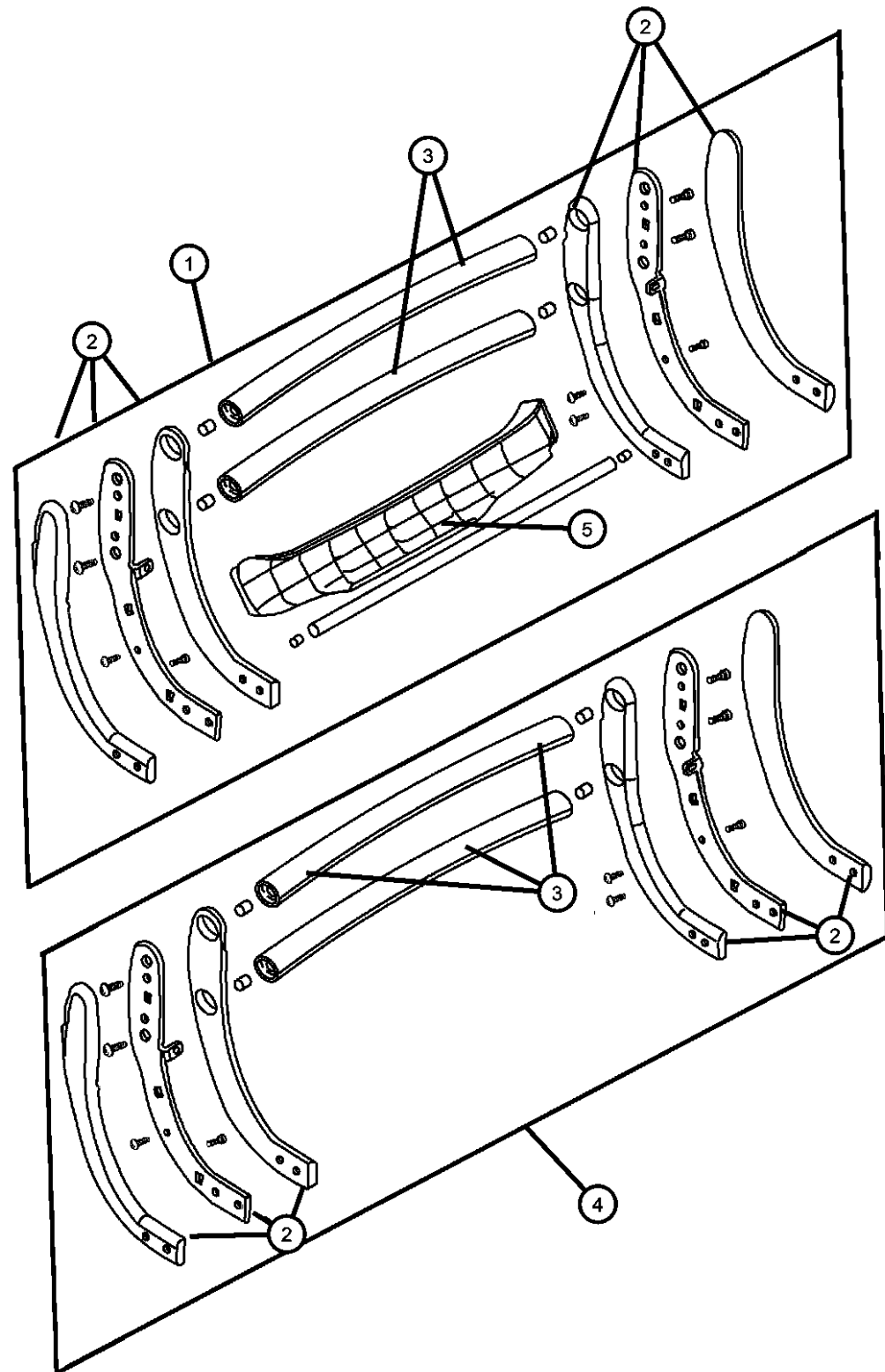
ENGINE
EHC = 3.9L 6 Cylinder
EML = 5.9L 8 Cylinder
EVA = 4.7L Magnum V8
EHO = All 3.9L
EMO = All 5.9L
EVO = All 4.7L

TRANSMISSION
DGK = 4 Speed Automatic 42RE
DGT = 4 Speed Automatic 46RE
DDC = 5 Speed HD Manual
DDK = 5 Speed HD Manual
DG4 = Multispeed Automatic 45RFE
DG0 = All Automatic Transmissions
DBB = All Manual Transmissions

AR = use ase required - = Non illustrated part

2003 AN

**Grill Guard
Figure 1-422**



ITEM	PART NUMBER	QTY	LINE	SERIES	BODY	ENGINE	TRANS	TRIM	DESCRIPTION
1	82206478	1	1, 5		31, 61, 84				GUARD KIT, Grille, with Fascia, Black
2	82206479	1	1, 5		31, 61, 84				GUARD KIT, Grille, Without Fascia Black
	82206480	1	1, 5		31, 61, 84				Chromed
3	05018425AA	1	1, 5		31, 61, 84				FASCIA, Front, Primed, Front
4	05018328AA	1	1, 5		31, 61, 84				END CAP, Grille Guard End Cap
	05018329AA	1	1, 5		31, 61, 84				
5	05018326AA	1	1, 5		31, 61, 84				CROSSTUBE, Grille Guard Black
	05018438AA	1	1, 5		31, 61, 84				Chrome Finish w/o Lower Fascia

DAKOTA (AN)

SERIES LINE
 1 = Dakota SXT 5 = Dakota 4WD
 3 = Dakota Sport 1 = Dakota 2WD
 4 = Dakota SLT
 7 = Dakota R/T

BODY
 61 = Reg. Cab (112 WB)
 31 = Club Cab (131 WB)
 84 = Quad Cab (131 WB)

ENGINE
 EHC = 3.9L 6 Cylinder
 EML = 5.9L 8 Cylinder
 EVA = 4.7L Magnum V8
 EHO = All 3.9L
 EMO = All 5.9L
 EVO = All 4.7L

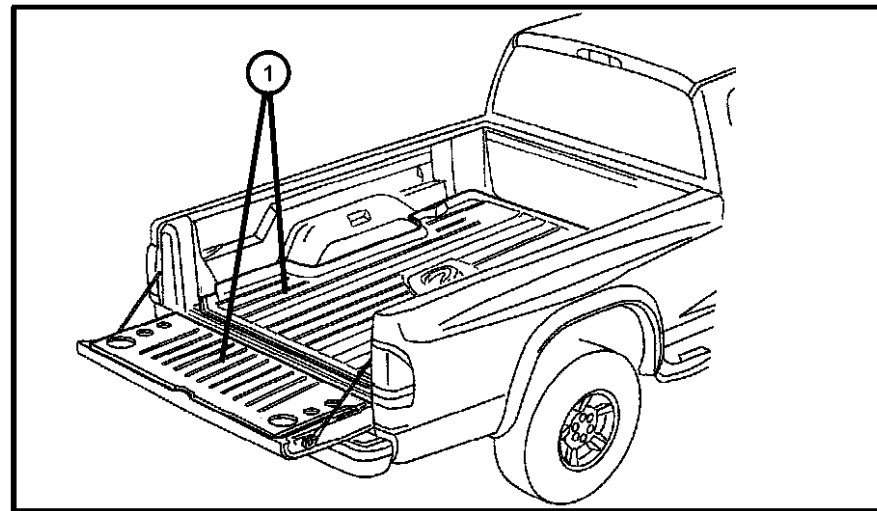
TRANSMISSION
 DGK = 4 Speed Automatic 42RE
 DGT = 4 Speed Automatic 46RE
 DDC = 5 Speed HD Manual
 DDK = 5 Speed HD Manual
 DG4 = Multispeed Automatic 45RFE
 DG0 = All Automatic Transmissions
 DBB = All Manual Transmissions

AR = use ase required - = Non illustrated part

2003 AN

Bedliner, Trays and Mats
Figure 1-510

ITEM	PART NUMBER	QTY	LINE	SERIES	BODY	ENGINE	TRANS	TRIM	DESCRIPTION
1									TRAY, Molded Cargo
	82205003	1	1, 5		31, 61				6.5 Foot Box
	82206435	1			84				5.25 Foot Box
-2	05018121AA	1	1, 5		31, 61				HARDWARE KIT, Bed tray



DAKOTA (AN)

SERIES	LINE
1 = Dakota SXT	5 = Dakota 4WD
3 = Dakota Sport	1 = Dakota 2WD
4 = Dakota SLT	
7 = Dakota R/T	

BODY
61 = Reg. Cab (112 WB)
31 = Club Cab (131 WB)
84 = Quad Cab (131 WB)

ENGINE
EHC = 3.9L 6 Cylinder
EML = 5.9L 8 Cylinder
EVA = 4.7L Magnum V8
EHO = All 3.9L
EMO = All 5.9L
EVO = All 4.7L

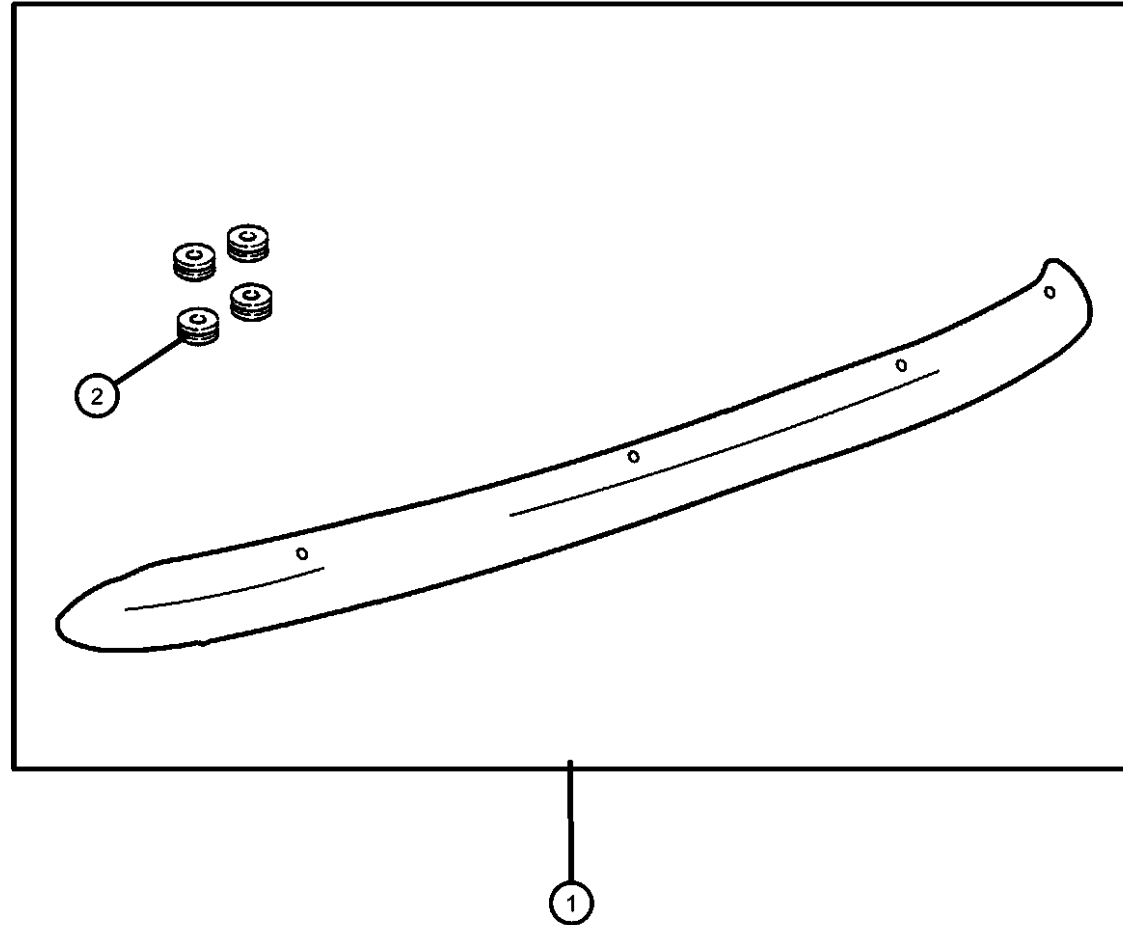
TRANSMISSION
DGK = 4 Speed Automatic 42RE
DGT = 4 Speed Automatic 46RE
DDC = 5 Speed HD Manual
DDK = 5 Speed HD Manual
DG4 = Multispeed Automatic 45RFE
DG0 = All Automatic Transmissions
DBB = All Manual Transmissions

AR = use ase required - = Non illustrated part

2003 AN

Shield Kit - Air Front
Figure 1-530

ITEM	PART NUMBER	QTY	LINE	SERIES	BODY	ENGINE	TRANS	TRIM	DESCRIPTION
NOTE: Shield Kit - Color Smoke, Material Lexan. Ram's Head Logo									
1									SHIELD KIT, Air - Front
	82202754	1	1, 5		31, 61, 84				
	82204322	1	1, 5		31, 61, 84				Includes hood and fender deflectors
2	05014754AA	1	1, 5		31, 61, 84				SPACER, Air Deflector



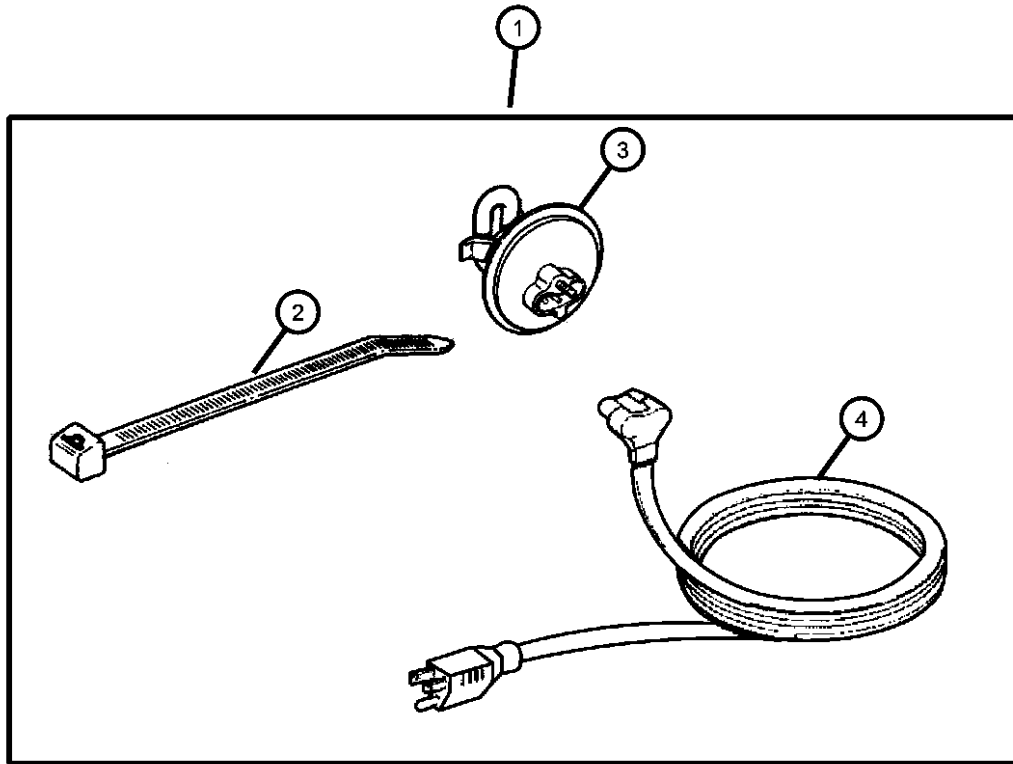
DAKOTA (AN)

SERIES	LINE	BODY	ENGINE	TRANSMISSION
1 = Dakota SXT	5 = Dakota 4WD	61 = Reg. Cab (112 WB)	EHC = 3.9L 6 Cylinder	DGK = 4 Speed Automatic 42RE
3 = Dakota Sport	1 = Dakota 2WD	31 = Club Cab (131 WB)	EML = 5.9L 8 Cylinder	DGT = 4 Speed Automatic 46RE
4 = Dakota SLT		84 = Quad Cab (131 WB)	EVA = 4.7L Magnum V8	DDC = 5 Speed HD Manual
7 = Dakota R/T			EHO = All 3.9L	DDK = 5 Speed HD Manual
			EMO = All 5.9L	DG4 = Multispeed Automatic 45RFE
			EVO = All 4.7L	DG0 = All Automatic Transmissions
				DBB = All Manual Transmissions

AR = use ase required - = Non illustrated part

**Heater Package - Engine Block
Figure 1-610**

ITEM	PART NUMBER	QTY	LINE	SERIES	BODY	ENGINE	TRANS	TRIM	DESCRIPTION
1	82300749	1							HEATER KIT, Engine Block
2	56008876	1							STRAP, Tie
3	56008876	1							HEATER, Engine Block, (NOT SERVICED)
4	56008876	1							CORD, Engine Block Heater, (NOT SERVICED)



DAKOTA (AN)

SERIES	LINE
1 = Dakota SXT	5 = Dakota 4WD
3 = Dakota Sport	1 = Dakota 2WD
4 = Dakota SLT	
7 = Dakota R/T	

BODY
61 = Reg. Cab (112 WB)
31 = Club Cab (131 WB)
84 = Quad Cab (131 WB)

ENGINE
EHC = 3.9L 6 Cylinder
EML = 5.9L 8 Cylinder
EVA = 4.7L Magnum V8
EHO = All 3.9L
EMO = All 5.9L
EVO = All 4.7L

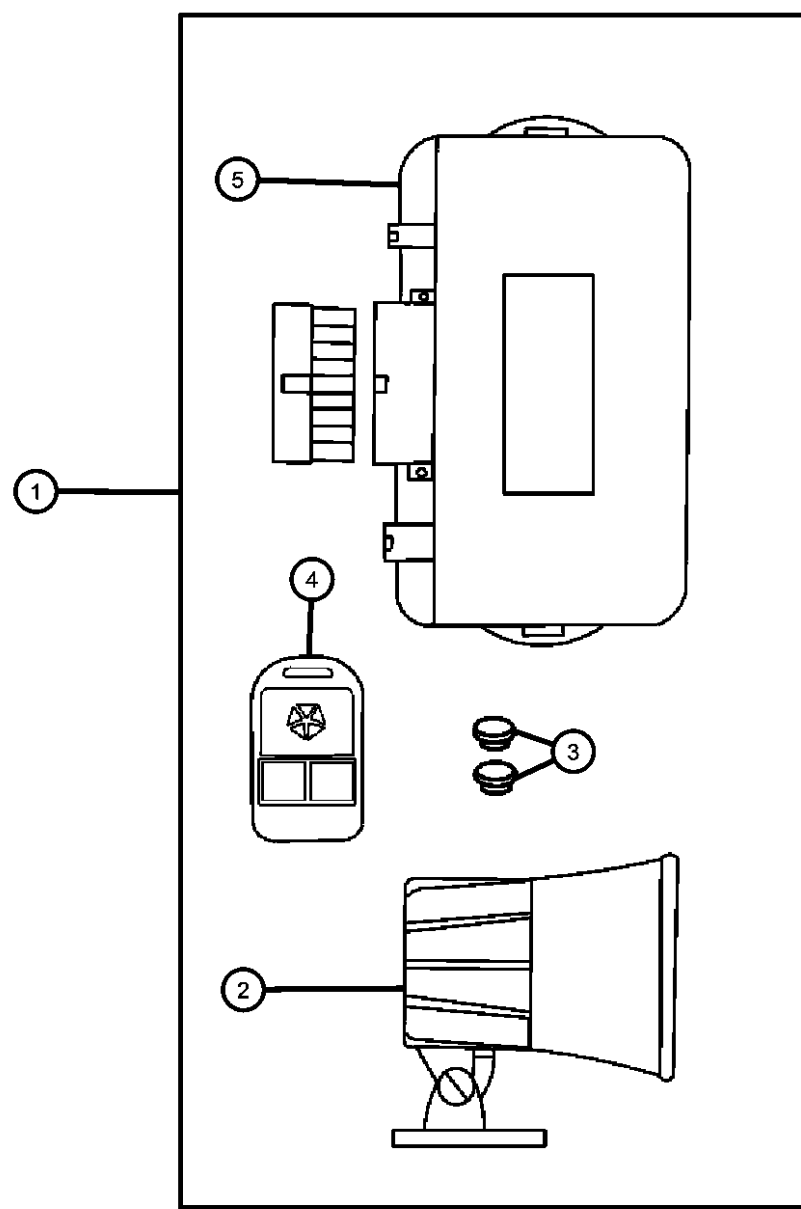
TRANSMISSION
DGK = 4 Speed Automatic 42RE
DGT = 4 Speed Automatic 46RE
DDC = 5 Speed HD Manual
DDK = 5 Speed HD Manual
DG4 = Multispeed Automatic 45RFE
DG0 = All Automatic Transmissions
DBB = All Manual Transmissions

AR = use ase required - = Non illustrated part

2003 AN

Alarm - EVSII Base System
Figure 1-910

ITEM	PART NUMBER	QTY	LINE	SERIES	BODY	ENGINE	TRANS	TRIM	DESCRIPTION
1	82203763	1							MODULE KIT, Alarm without Keyless
2	82203198	1							SIREN, Alarm
3	04636141	1							BATTERY, Transmitter
4	04886374AA	1							TRANSMITTER, Alarm or Keyless
5	05012164AA	1							MODULE, Security Alarm
-6	04886259AA	1							INDICATOR, Valet Status
-7	04886258AA	1							SWITCH, Programing Bypass



DAKOTA (AN)

SERIES	LINE	BODY	ENGINE	TRANSMISSION
1 = Dakota SXT	5 = Dakota 4WD	61 = Reg. Cab (112 WB)	EHC = 3.9L 6 Cylinder	DGK = 4 Speed Automatic 42RE
3 = Dakota Sport	1 = Dakota 2WD	31 = Club Cab (131 WB)	EML = 5.9L 8 Cylinder	DGT = 4 Speed Automatic 46RE
4 = Dakota SLT		84 = Quad Cab (131 WB)	EVA = 4.7L Magnum V8	DDC = 5 Speed HD Manual
7 = Dakota R/T			EHO = All 3.9L	DDK = 5 Speed HD Manual
			EMO = All 5.9L	DG4 = Multispeed Automatic 45RFE
			EVO = All 4.7L	DG0 = All Automatic Transmissions
				DBB = All Manual Transmissions

AR = use ase required - = Non illustrated part