

VIN PLATE DECODING INFORMATION

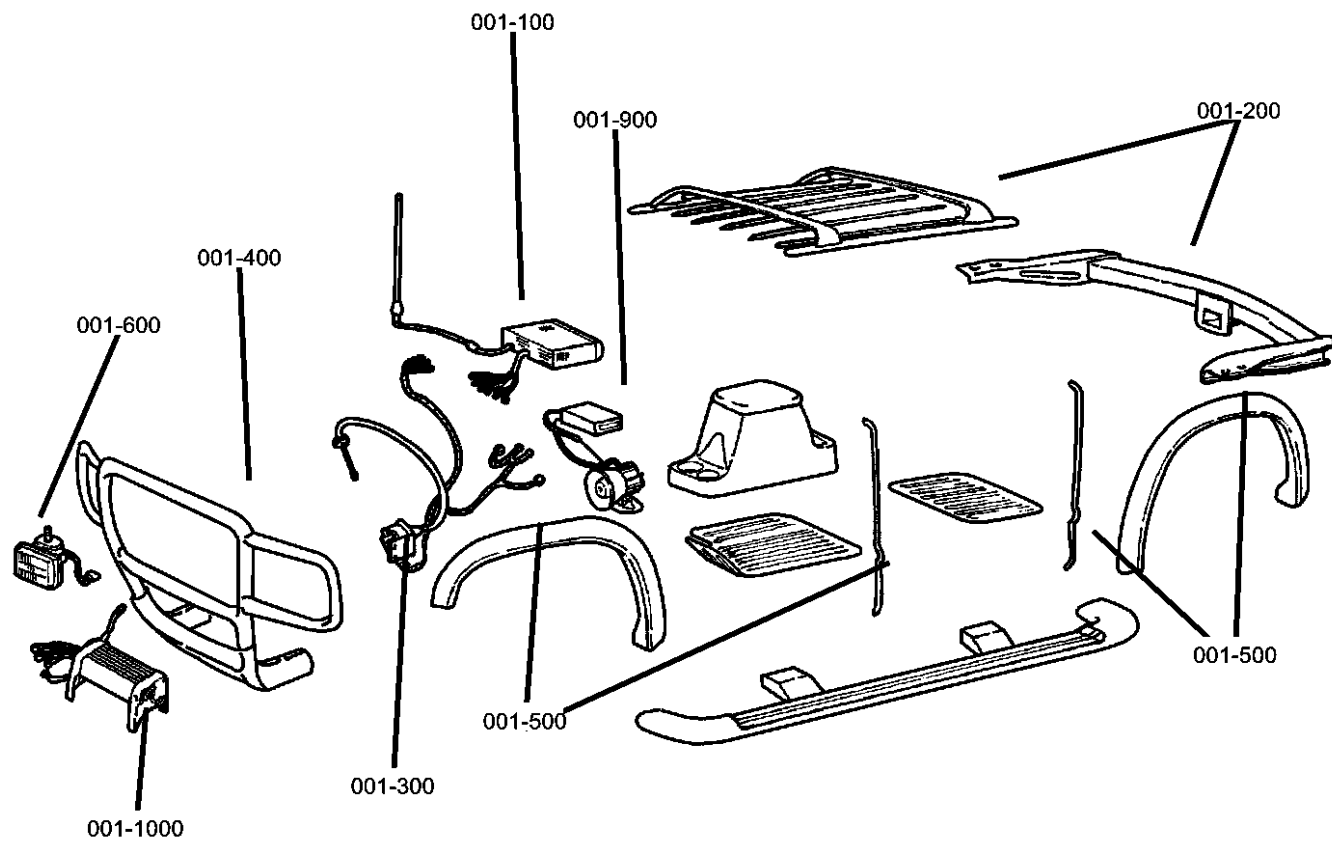
1	2	3	4	5	6	7	8	9	10	11	12 thru 17
Country	Make	Vehicle Type	GVWR & Pass. Safety	Line	Series	Body Style	Engine	Check Digit	Model Year	Assy. Plant	Sequence No.

The following table interprets the VIN Plate position shown above.

Position	Interpretation	Codes = Description
1	Country of Origin	1 = Built in U.S. by DaimlerChrysler Corporation
2	Assembler	B = Dodge
3	Vehicle Type	7 = Truck (CGS)
4	GVWR & Pass. Safety	F = 4001-5000 lbs (1815-2267 kg) G = 5001-6000 lbs (2268-2721 kg) H = 6001-7000 lbs (2722-3175 kg) J = 7001-8000 lbs (3176-3628 kg) D = 0-3000 lbs (0-1360 kg) E = 3001-4000 lbs (1361-1814 kg) K = 8001-9000 lbs (3629-4082 kg) L = 9001-10000 lbs (4083-4535 kg) M = 10001-14000 lbs (4536-6350 kg)
5	Vehicle Line	G = Dakota, Dakota/Sport, Dakota 4x4 L = Dakota, Dakota/Sport, Dakota 4x2
6	Series	2 = L Series/Sport/SLT
7	Body Style	2 = Club Cab (31) 6 = Regular Cab (61) 8 = Quad Club Cab (84)
8	Engine	N = 4.7L 8 Cyl Gasoline (MPI) (EVA) P = 2.5L 4 Cyl. Gasoline MPI (Unleaded) (EPE) X = 3.9L 6 Cyl. Gasoline MPI (EHC) Z = 5.9L 8 Cyl. Gasoline (MPI) LDC (EML)
9	Check Digit	0 = Check Digit 0 = Check Digit
10	Model Year	1 = 2001 2 = 2002 V = 1997 W = 1998 X = 1999 Y = 2000
11	Assembly Plant	S = Dodge City
12 thru 17	Vehicle Build Sequence	Model Year Assembly Sequence

Group - 1

Component Parts for Mopar Accessories



Group - 1 Component Parts for Mopar Accessories

Illustration Title

Group-Fig. No.

Audio & Electronics

Player Kit - CD Changer - 6 Disc.....	Fig. 1 - 110
Install Kit -CD Changer - Trunk	Fig. 1 - 130

Carriers & Cargo Hauling

Carrier Kit - Ski	Fig. 1 - 220
Wiring Kit - Trailer Tow - 7 Way	Fig. 1 - 240
Wiring Kit - Trailer Tow - 4 Way	Fig. 1 - 242
Cooler Kit - Transmission Oil.....	Fig. 1 - 250
Cover Kit - Tonneau.....	Fig. 1 - 260
Cover Kit - Folding	Fig. 1 - 270
Cover Kit - Tonneau.....	Fig. 1 - 280

Driving Convenience

Control Package - Speed.....	Fig. 1 - 310
Mounting Kit - Cellular Phone.....	Fig. 1 - 320

Exterior Appearance

Brush Guard.....	Fig. 1 - 420
Grill Guard.....	Fig. 1 - 422

Exterior Protection

Bedliner, Trays and Mats	Fig. 1 - 510
Shield Kit - Air Front.....	Fig. 1 - 530

Fog Lights & Electrical


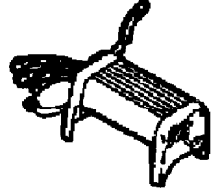


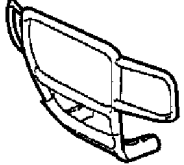

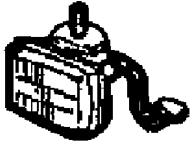

Heater Kit - Engine Block.....	Fig. 1 - 610
--------------------------------	--------------

Security

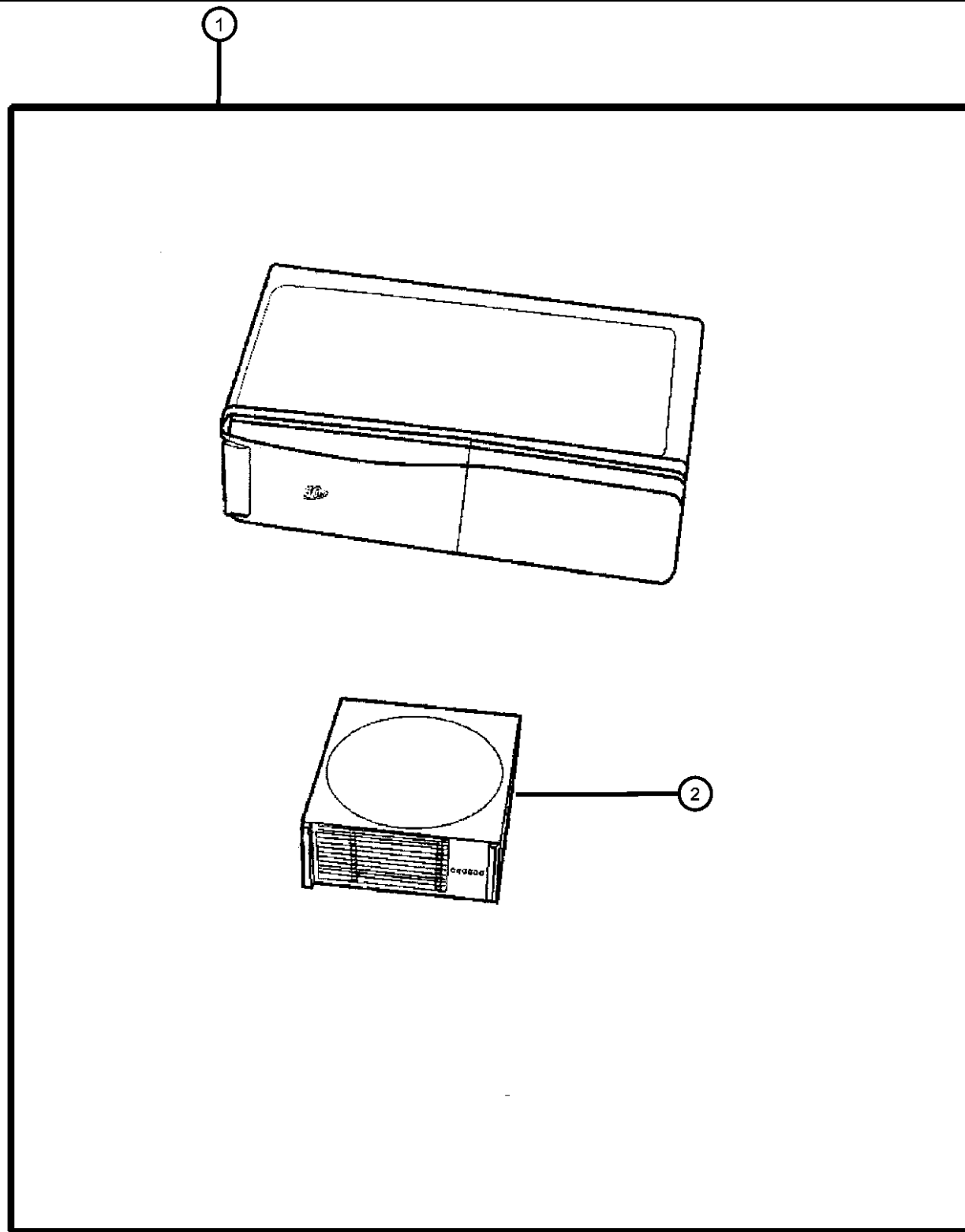
Alarm EVS Base System	Fig. 1 - 910
Alarm, EVSII.....	Fig. 1 - 914

4 - Wheeling & Off Road

Plate Package - Skid, Front	Fig. 1 - 1020
Plate Package - Skid, Fuel Tank	Fig. 1 - 1022

<p>001-100 Audio & Electronics</p> 	<p>001-1000 4 - Wheeling & Off Road</p> 	<p>001-200 Carriers & Cargo Hauling</p> 	<p>001-300 Driving Convenience</p> 
<p>001-400 Exterior Appearance</p> 	<p>001-500 Exterior Protection</p> 	<p>001-600 Fog Lights & Electrical</p> 	<p>001-900 Security</p> 

**Player Kit - CD Changer - 6 Disc
Figure 1-110**



ITEM	PART NUMBER	QTY	LINE	SERIES	BODY	ENGINE	TRANS	TRIM	DESCRIPTION
1	82202700	1							PLAYER KIT, CD Changer - 6 Disc Player Kit, CD Changer 6 Disc for Radios w/o CD Controls
	82207483	1							
2	04797433	1							Player Kit, CD Changer 6 Disc for Radios with CD Controls MAGAZINE, CD Changer

DAKOTA (AN)

SERIES	LINE
L = Dakota (All)	1 = Dakota 2WD 5 = Dakota 4WD

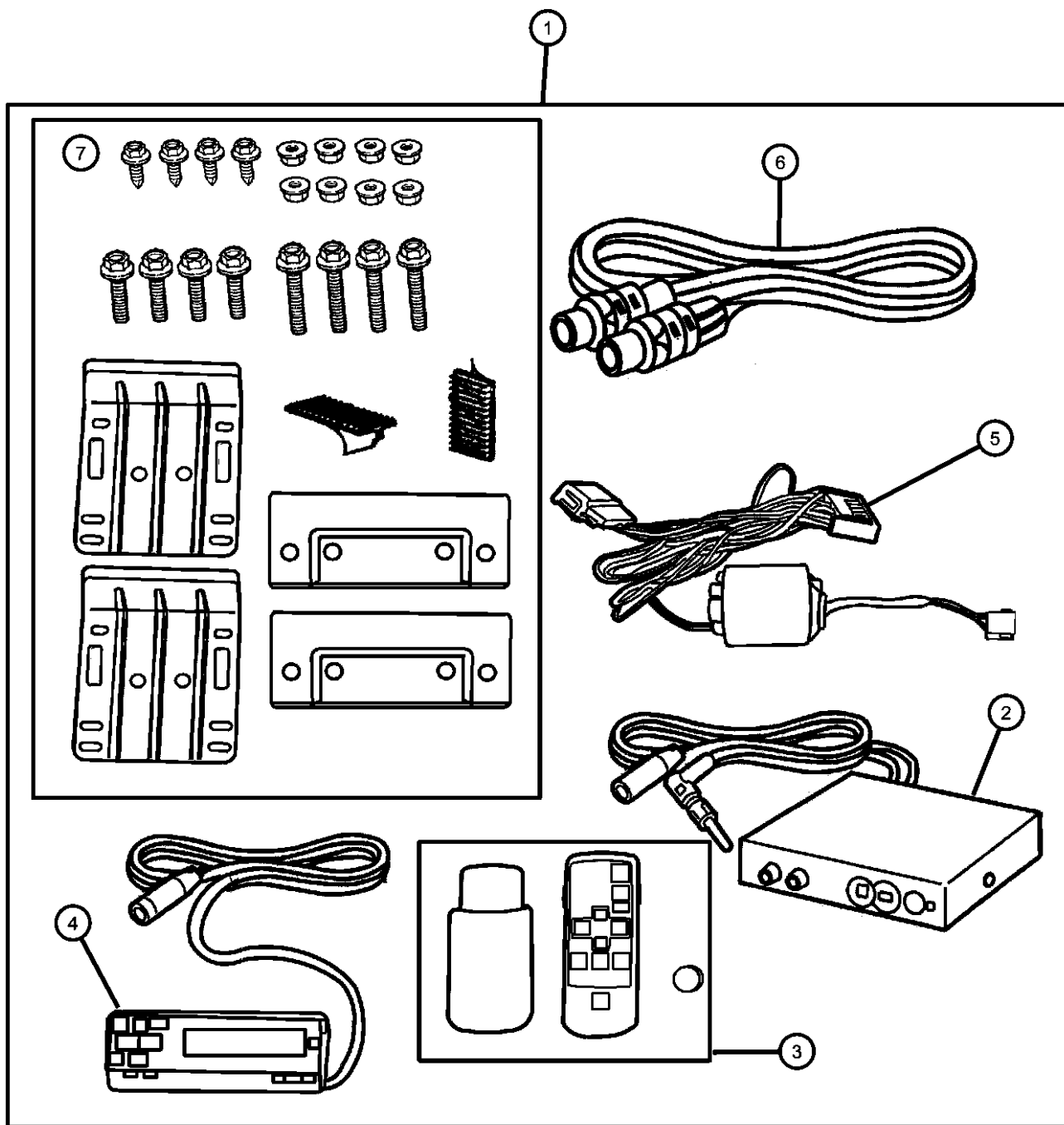
BODY
61 = Regular Cab (112 WB) 31 = Club Cab (131 WB) 84 = Quad Cab (131 WB)

ENGINE
EPE = 2.5L 4 Cylinder EHC = 3.9L 6 Cylinder EML = 5.0L 8 Cylinder EVA = 4.7L Magnum V8 EPO = All 2.5L EHO = All 3.9L EMO = All 5.9L EVO = All 4.7L

TRANSMISSION
DGK = 4 Speed Automatic 42RE DGT = 4 Speed Automatic 46RE DDC = 5 Speed HD Manual DDK = 5 Speed HD Manual DG4 = Multispeed Automatic 45RFE DG0 = All Automatic Transmissions DBB = All Manual Transmissions

AR = use ase required - = Non illustrated part

**Install Kit -CD Changer - Trunk
Figure 1-130**



ITEM	PART NUMBER	QTY	LINE	SERIES	BODY	ENGINE	TRANS	TRIM	DESCRIPTION
1	82207481	1							INSTALL KIT, CD Changer - Trunk
2	82207481	1							MODULATOR, FM Changer, Serviced in Package, (NOT SERVICED)
3	05017217AA	1							CONTROLLER, CD Wireless
4	05017217AA	1							CONTROLLER, CD Wired, (NOT SERVICED)
5	04465117	1							ADAPTOR, A/C
6	04465113	1							CABLE, Din
7	04465113	1							HARDWARE KIT, Mounting, Serviced in package, (NOT SERVICED)

DAKOTA (AN)

SERIES

L = Dakota (All) 1 = Dakota 2WD
5 = Dakota 4WD

LINE

BODY

61 = Regular Cab (112 WB)
31 = Club Cab (131 WB)
84 = Quad Cab (131 WB)

ENGINE

EPE = 2.5L 4 Cylinder
EHC = 3.9L 6 Cylinder
EML = 5.0L 8 Cylinder
EVA = 4.7L Magnum V8
EPO = All 2.5L
EHO = All 3.9L
EMO = All 5.9L
EVO = All 4.7L

TRANSMISSION

DGK = 4 Speed Automatic 42RE
DGT = 4 Speed Automatic 46RE
DDC = 5 Speed HD Manual
DDK = 5 Speed HD Manual
DG4 = Multispeed Automatic 45RFE
DG0 = All Automatic Transmissions
DBB = All Manual Transmissions

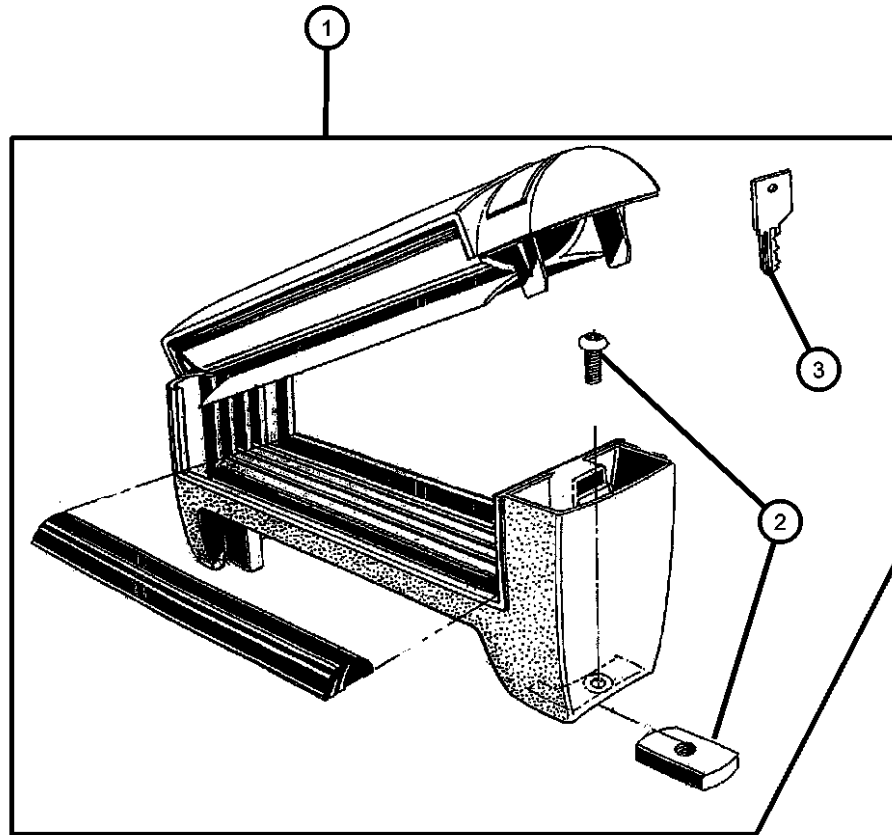
AR = use ase required - = Non illustrated part

Carrier Kit - Ski
Figure 1-220

ITEM	PART NUMBER	QTY	LINE	SERIES	BODY	ENGINE	TRANS	TRIM	DESCRIPTION
------	-------------	-----	------	--------	------	--------	-------	------	-------------

NOTE: New keys are Vendor Ship Direct.

1	82203474	1	1, 5		84				CARRIER KIT, Ski - 2 Pair
2	05018389AA	1	1, 5		84				HARDWARE KIT, Mounting
3	05018389AA	1							KEY, Master, (NOT SERVICED)



DAKOTA (AN)

SERIES

L = Dakota (All)

LINE

1 = Dakota 2WD
5 = Dakota 4WD

BODY

61 = Regular Cab (112 WB)
31 = Club Cab (131 WB)
84 = Quad Cab (131 WB)

ENGINE

EPE = 2.5L 4 Cylinder
EHC = 3.9L 6 Cylinder
EML = 5.0L 8 Cylinder
EVA = 4.7L Magnum V8
EPO = All 2.5L
EHO = All 3.9L
EMO = All 5.9L
EVO = All 4.7L

TRANSMISSION

DGK = 4 Speed Automatic 42RE
DGT = 4 Speed Automatic 46RE
DDC = 5 Speed HD Manual
DDK = 5 Speed HD Manual
DG4 = Multispeed Automatic 45RFE
DG0 = All Automatic Transmissions
DBB = All Manual Transmissions

AR = use ase required - = Non illustrated part

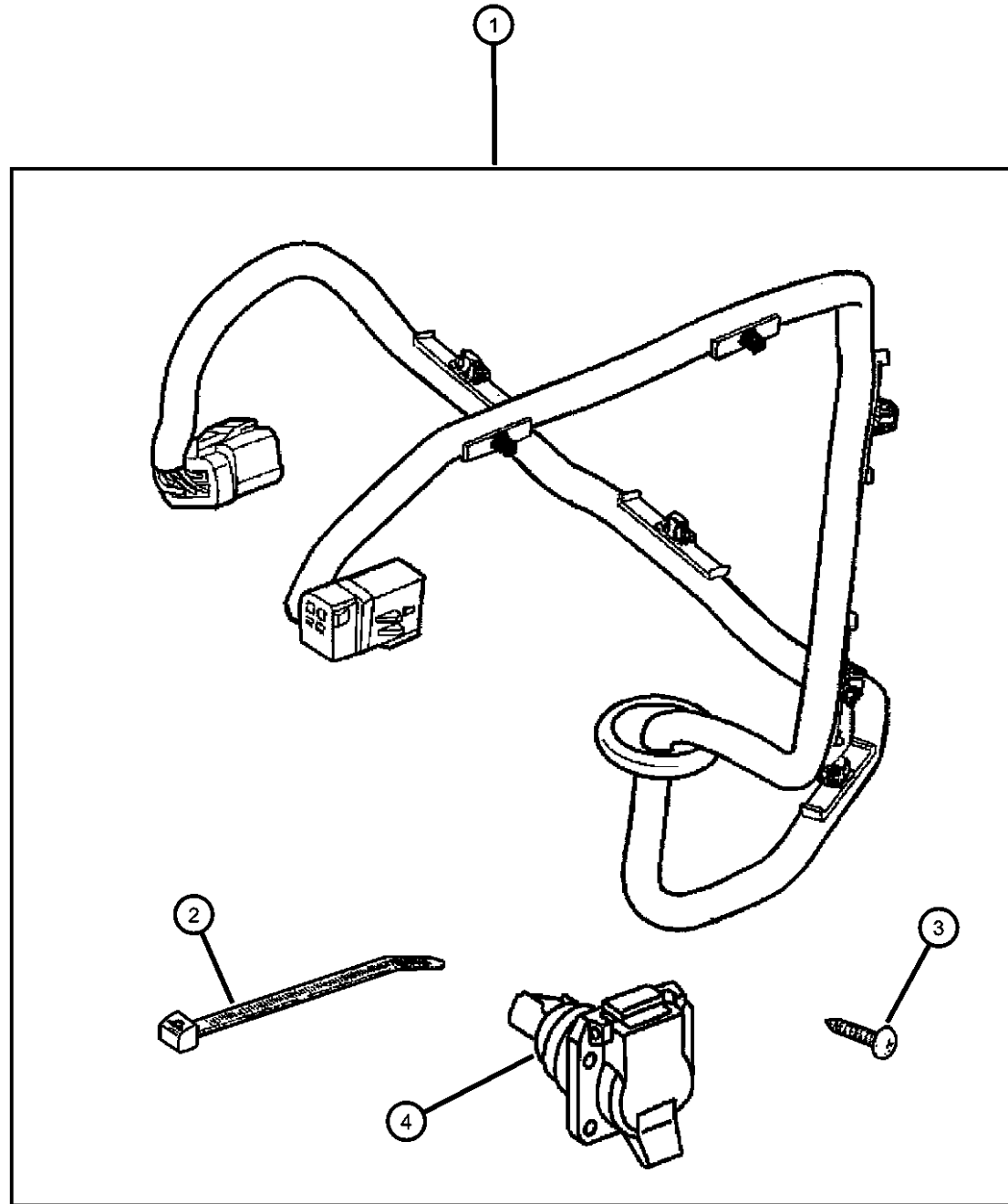
2002 AN

Wiring Kit - Trailer Tow - 7 Way
Figure 1-240

ITEM	PART NUMBER	QTY	LINE	SERIES	BODY	ENGINE	TRANS	TRIM	DESCRIPTION
------	-------------	-----	------	--------	------	--------	-------	------	-------------

NOTE: Will not fit Chassis Cab. Built in Running Light Relay.

1	82204724	1							WIRING KIT, Trailer Tow - 7 Way
2	06015756	1							STRAP, Tie
3	00154633	4							SCREW, .164-18x.625
4	56038366AB	1							CONNECTOR, 7 Way
-5	56007078	1							RELAY, Electrical



DAKOTA (AN)

SERIES	LINE
L = Dakota (All)	1 = Dakota 2WD 5 = Dakota 4WD

BODY
61 = Regular Cab (112 WB) 31 = Club Cab (131 WB) 84 = Quad Cab (131 WB)

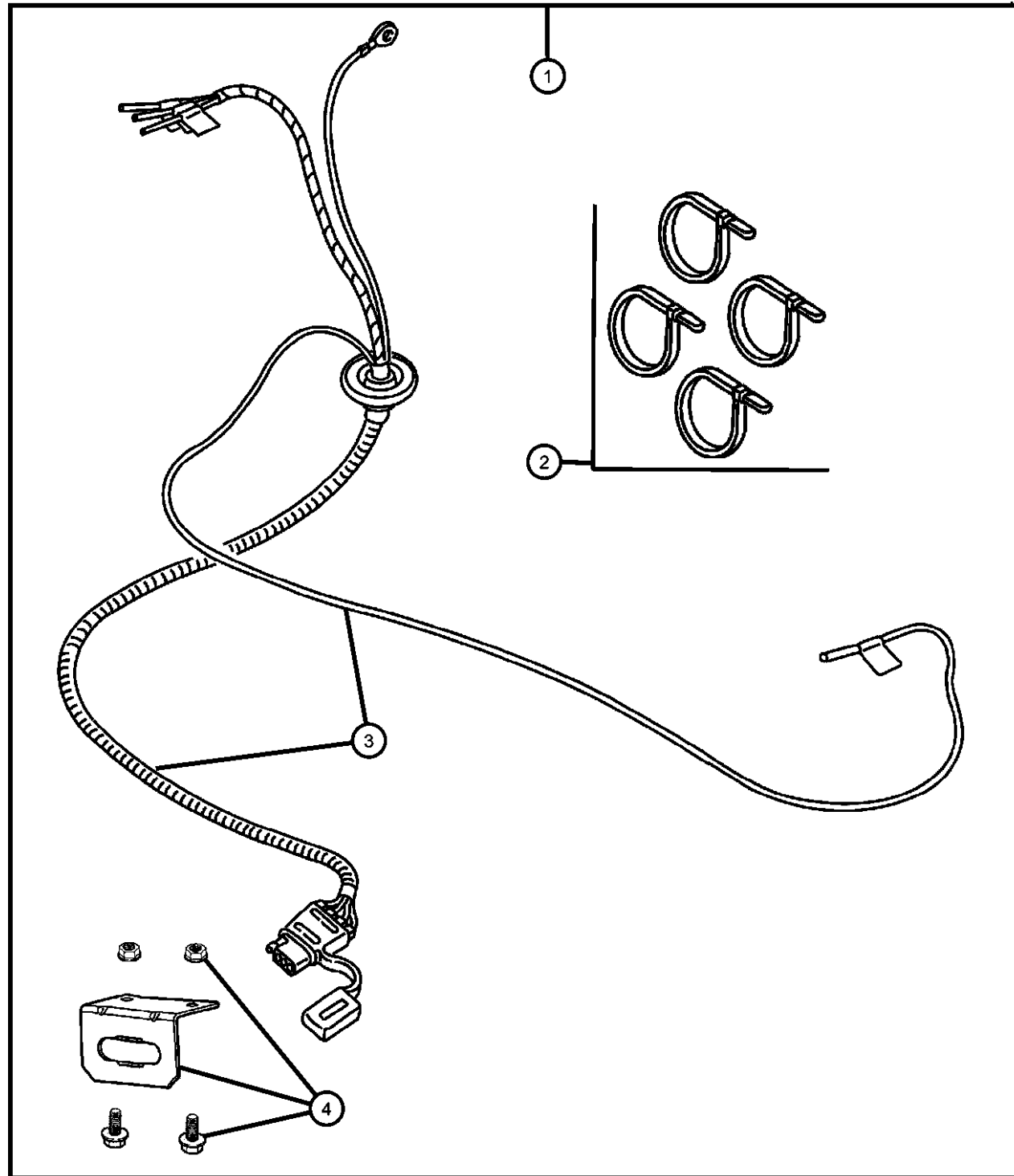
ENGINE
EPE = 2.5L 4 Cylinder EHC = 3.9L 6 Cylinder EML = 5.0L 8 Cylinder EVA = 4.7L Magnum V8 EPO = All 2.5L EHO = All 3.9L EMO = All 5.9L EVO = All 4.7L

TRANSMISSION
DGK = 4 Speed Automatic 42RE DGT = 4 Speed Automatic 46RE DDC = 5 Speed HD Manual DDK = 5 Speed HD Manual DG4 = Multispeed Automatic 45RFE DG0 = All Automatic Transmissions DBB = All Manual Transmissions

AR = use ase required - = Non illustrated part

2002 AN

Wiring Kit - Trailer Tow - 4 Way
Figure 1-242



ITEM	PART NUMBER	QTY	LINE	SERIES	BODY	ENGINE	TRANS	TRIM	DESCRIPTION
------	-------------	-----	------	--------	------	--------	-------	------	-------------

NOTE;

Molded cap with Mopar Logo.

1	82204641	1	1, 5		31, 61, 84				WIRING KIT, Trailer Tow, Four Way Flat
2	06016155	1							STRAP, Tie
3	06016155	1							WIRING, Trailer Tow, Serviced in Kit, (NOT SERVICED)
4	82204602	1							BRACKET KIT, Trailer Tow

DAKOTA (AN)

SERIES	LINE
L = Dakota (All)	1 = Dakota 2WD 5 = Dakota 4WD

BODY
61 = Regular Cab (112 WB) 31 = Club Cab (131 WB) 84 = Quad Cab (131 WB)

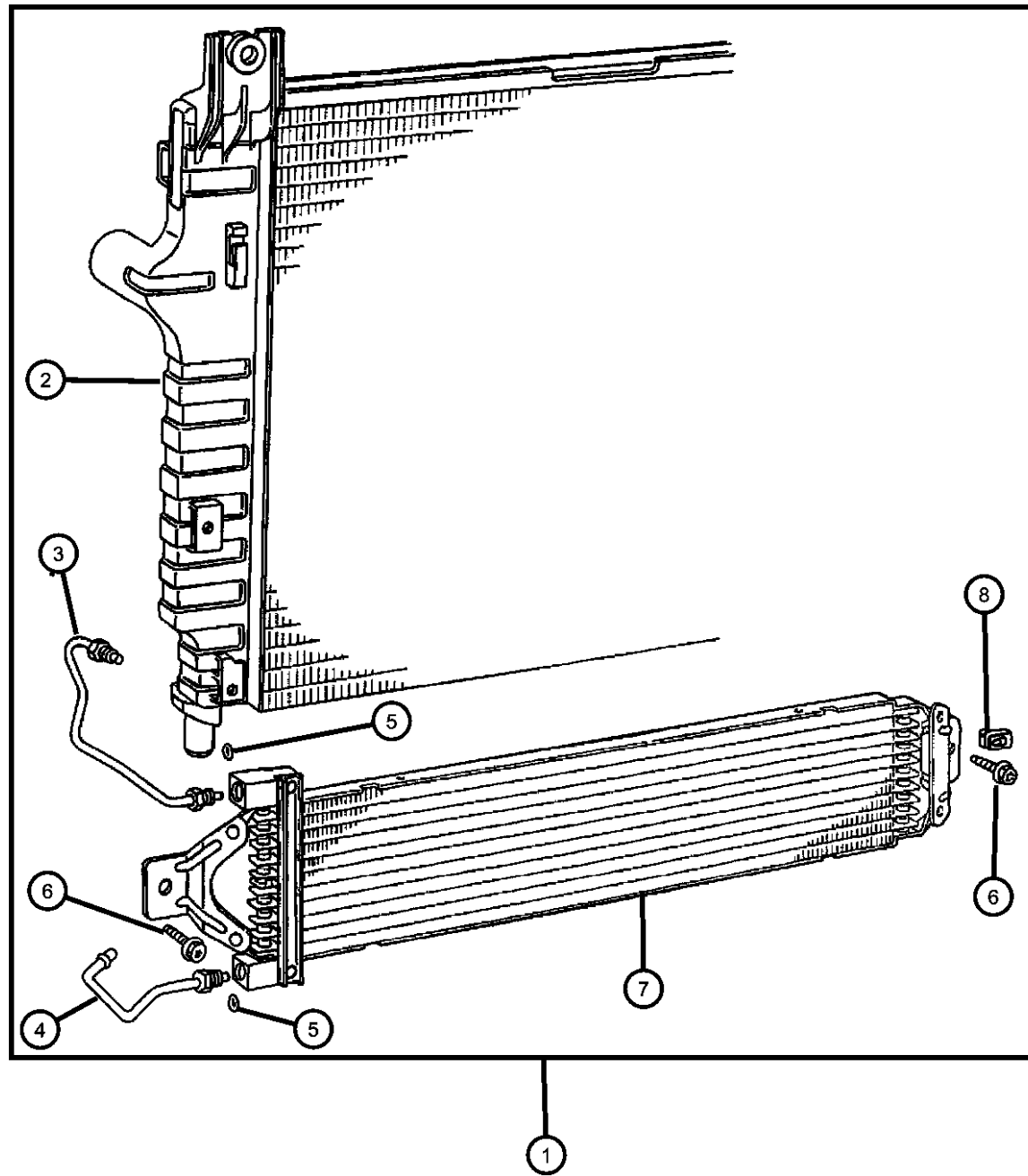
ENGINE
EPE = 2.5L 4 Cylinder EHC = 3.9L 6 Cylinder EML = 5.0L 8 Cylinder EVA = 4.7L Magnum V8 EPO = All 2.5L EHO = All 3.9L EMO = All 5.9L EVO = All 4.7L

TRANSMISSION
DGK = 4 Speed Automatic 42RE DGT = 4 Speed Automatic 46RE DDC = 5 Speed HD Manual DDK = 5 Speed HD Manual DG4 = Multispeed Automatic 45RFE DG0 = All Automatic Transmissions DBB = All Manual Transmissions

AR = use ase required - = Non illustrated part

2002 AN

**Cooler Kit - Transmission Oil
Figure 1-250**



ITEM	PART NUMBER	QTY	LINE	SERIES	BODY	ENGINE	TRANS	TRIM	DESCRIPTION
1									COOLER PACKAGE, Transmission Oil
	82205677	1	1, 5		31, 61, 84				3.9L V6
	82205678	1	1, 5		31, 61, 84				4.7L and 5.9L V8
2									RADIATOR, Engine Cooling
	52028816AD	1							3.9L V6
	05066386AA								Mopar Coolant 5 Year/100,000 Mile Formula 1 Gallon
	52028818AD	1							4.7L and 5.9L V8
	05066386AA								Mopar Coolant 5 Year/100,000 Mile Formula 1 Gallon
3	05015415AA	1							TUBE, Oil CoolerUpper
4	05015416AA	1							TUBE, Oil CoolerLower
5	05016144AA	1							SEAL, O-Ring
6	04734274	2							SCREW, Decking Bracket
7	52028779AB	1							COOLER, Auxiliary Oil
8	52028779AB	1							U-NUT, M6x1.00, (NOT SERVICED)

DAKOTA (AN)

SERIES	LINE
L = Dakota (All)	1 = Dakota 2WD 5 = Dakota 4WD

BODY
61 = Regular Cab (112 WB) 31 = Club Cab (131 WB) 84 = Quad Cab (131 WB)

ENGINE
EPE = 2.5L 4 Cylinder EHC = 3.9L 6 Cylinder EML = 5.0L 8 Cylinder EVA = 4.7L Magnum V8 EPO = All 2.5L EHO = All 3.9L EMO = All 5.9L EVO = All 4.7L

TRANSMISSION
DGK = 4 Speed Automatic 42RE DGT = 4 Speed Automatic 46RE DDC = 5 Speed HD Manual DDK = 5 Speed HD Manual DG4 = Multispeed Automatic 45RFE DG0 = All Automatic Transmissions DBB = All Manual Transmissions

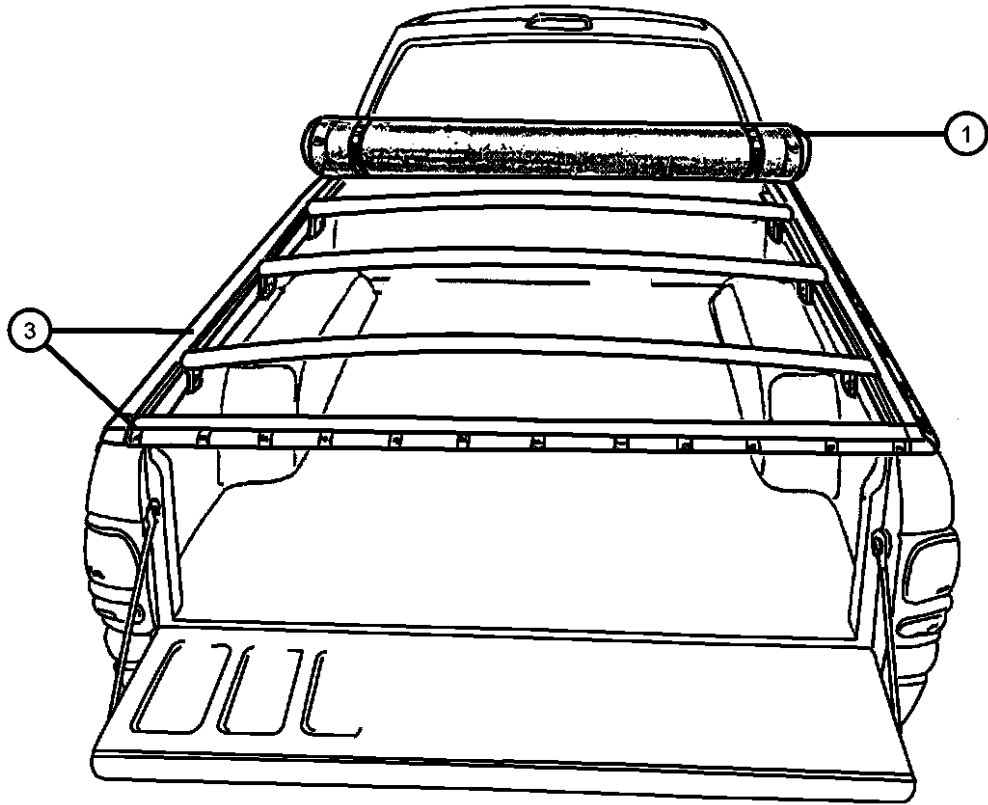
AR = use ase required - = Non illustrated part

**Cover Kit - Tonneau
Figure 1-260**

ITEM	PART NUMBER	QTY	LINE	SERIES	BODY	ENGINE	TRANS	TRIM	DESCRIPTION
------	-------------	-----	------	--------	------	--------	-------	------	-------------

NOTE; Not for use with OverRail Bedliners.

1									COVER, Tonneau
	82202723	1	1, 5		31, 61				Sport Style 6.5 Foot Bed
	82203122	1	1, 5		31, 61				Premium Style 6.5 Foot Bed
-2	05017515AA	1	1, 5		31, 61				SNAP KIT, Tonneau Cover, Replacement Package of 10
3	05018233AA	1	1, 5		31, 61				RAIL KIT, Tonneau - Rear Mounting, Contains: 2 Corner Brackets and Thumb Screws, Snaps
-4	05018424AA	1	1, 5		31, 61				CLAMP, Cover, Contains: F shaped Upper Clamp, J shaped Lower Clamp and 3 Screws
-5									COVER KIT, Tonneau
	82204995	1	1, 5		31, 61				Snapless Style 6.5 Foot Bed
	82205000	1	1, 5		84				Snapless Style 5.25 Bed
-6	05014597AA	1	1, 5		31, 61				CLAMP, Over Center Style Clamp
-7	05018339AA	1	1, 5		31, 61				HARDWARE KIT, Mounting, Also Includes 4 Snapless Corner Pieces



DAKOTA (AN)

SERIES

L = Dakota (All)

LINE

1 = Dakota 2WD
5 = Dakota 4WD

BODY

61 = Regular Cab (112 WB)
31 = Club Cab (131 WB)
84 = Quad Cab (131 WB)

ENGINE

EPE = 2.5L 4 Cylinder
EHC = 3.9L 6 Cylinder
EML = 5.0L 8 Cylinder
EVA = 4.7L Magnum V8
EPO = All 2.5L
EHO = All 3.9L
EMO = All 5.9L
EVO = All 4.7L

TRANSMISSION

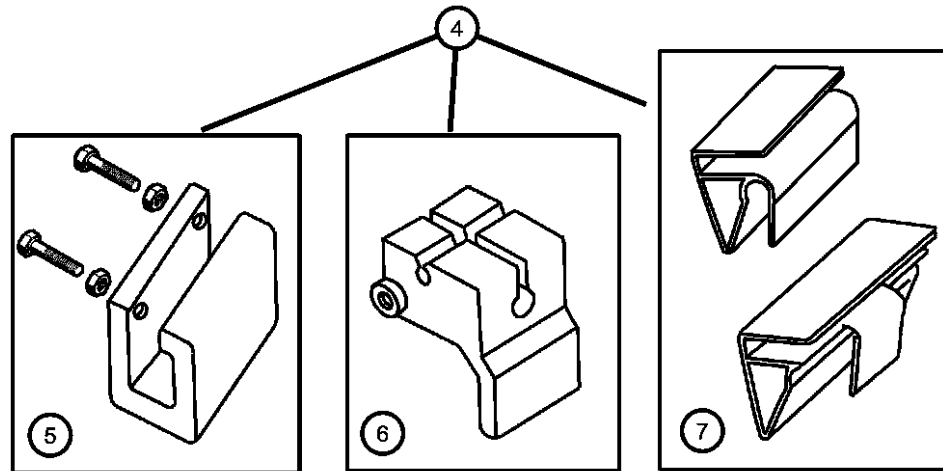
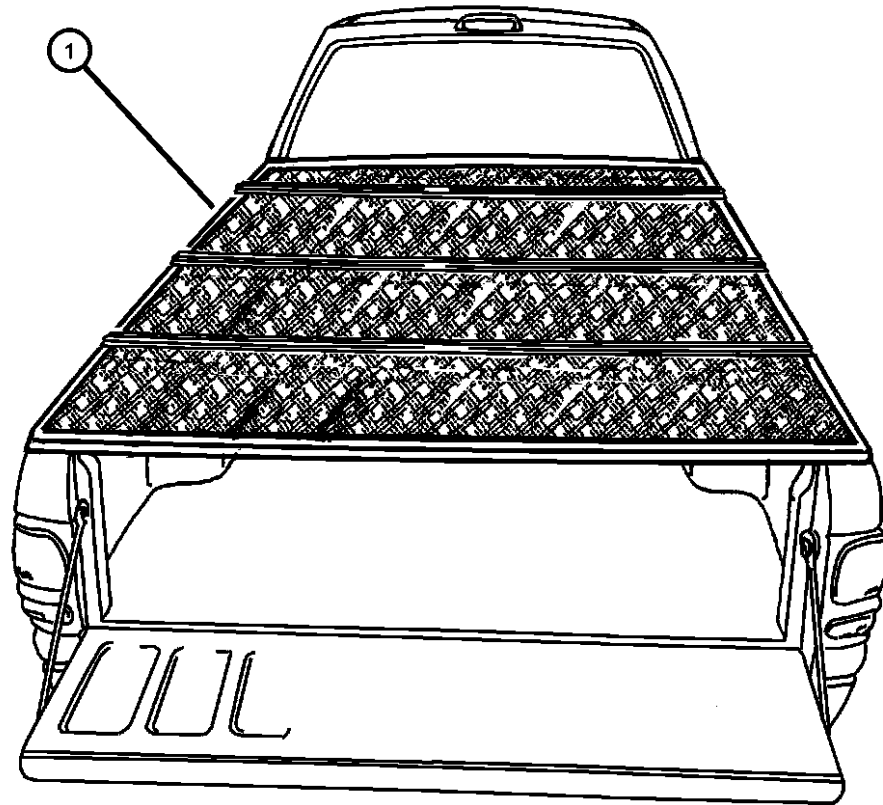
DGK = 4 Speed Automatic 42RE
DGT = 4 Speed Automatic 46RE
DDC = 5 Speed HD Manual
DDK = 5 Speed HD Manual
DG4 = Multispeed Automatic 45RFE
DG0 = All Automatic Transmissions
DBB = All Manual Transmissions

AR = use ase required - = Non illustrated part

2002 AN

Cover Kit - Folding
Figure 1-270

ITEM	PART NUMBER	QTY	LINE	SERIES	BODY	ENGINE	TRANS	TRIM	DESCRIPTION
NOTE: 82202727 requires hardware kit for installation.									
1	82202727	1	1, 5		31, 61				COVER KIT, Tonneau-Folding 6.5 Foot Bed
	82205224	1	1, 5		84				5.25 Foot Bed Includes Hardware.
-2	05018118AA	1	1, 5		84				LOCK KIT, Folding-tonneau
		1	1, 5		31, 61				
-3	05018386AA	1	1, 5		31, 61				KEY, Master
		1	1, 5		84				
4	82203246	1	1, 5		31, 61				HARDWARE KIT, Tonneau - Folding
5	05071483AA	1	1, 5		31, 61				CLAMP, Cover
6	05071489AA	1	1, 5		31, 61				BRACKET, Tonneau
7	05071487AA	1	1, 5		31, 61				BRACKET, Tonneau



DAKOTA (AN)

SERIES LINE
L = Dakota (All) 1 = Dakota 2WD
5 = Dakota 4WD

BODY
61 = Regular Cab (112 WB)
31 = Club Cab (131 WB)
84 = Quad Cab (131 WB)

ENGINE
EPE = 2.5L 4 Cylinder
EHC = 3.9L 6 Cylinder
EML = 5.0L 8 Cylinder
EVA = 4.7L Magnum V8
EPO = All 2.5L
EHO = All 3.9L
EMO = All 5.9L
EVO = All 4.7L

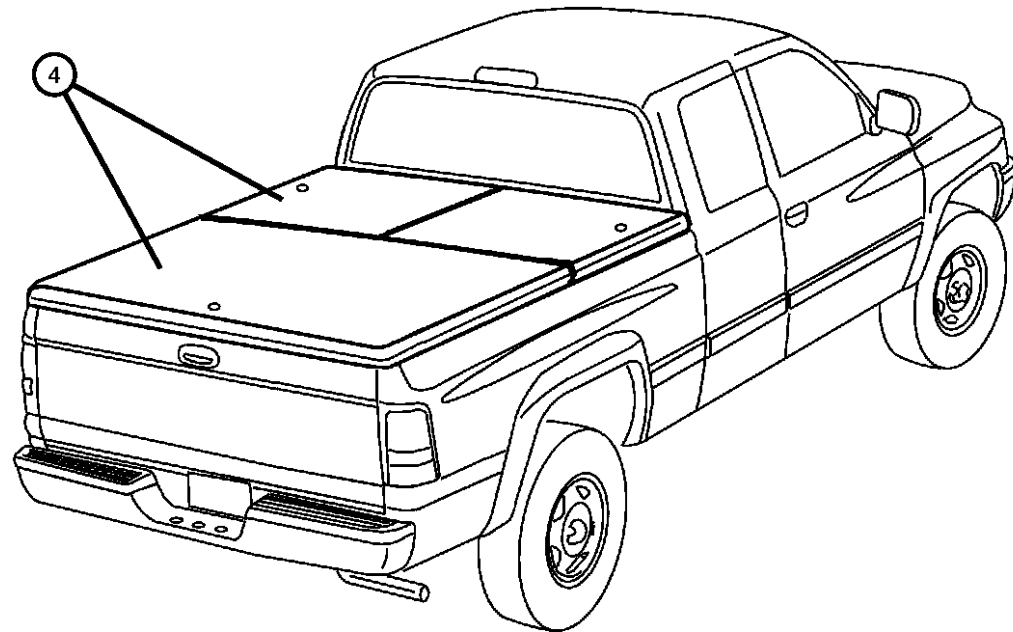
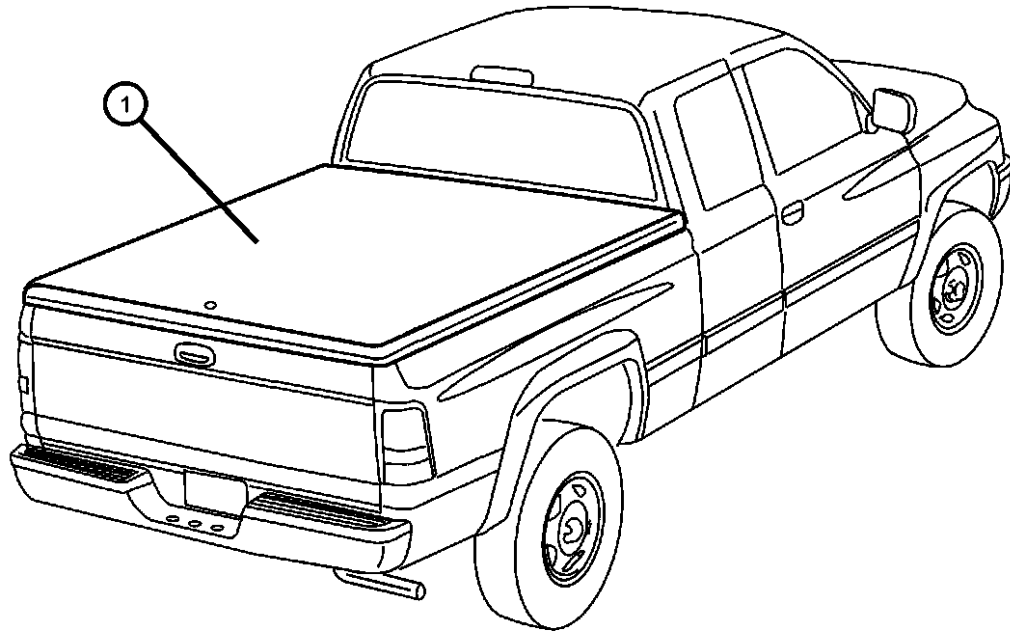
TRANSMISSION
DGK = 4 Speed Automatic 42RE
DGT = 4 Speed Automatic 46RE
DDC = 5 Speed HD Manual
DDK = 5 Speed HD Manual
DG4 = Multispeed Automatic 45RFE
DG0 = All Automatic Transmissions
DBB = All Manual Transmissions

AR = use ase required - = Non illustrated part

2002 AN

Cover Kit - Tonneau
Figure 1-280

ITEM	PART NUMBER	QTY	LINE	SERIES	BODY	ENGINE	TRANS	TRIM	DESCRIPTION
1									COVER KIT, Tonneau-Hard, One Piece, 6.5 Foot Bed
	82204160	1	1, 5		31, 61				Forrest Green
	82204366	1	1, 5		31, 61				Black
	82204368	1	1, 5		31, 61				Flame Red
	82204370	1	1, 5		31, 61				White
	82205797	1	1, 5		31, 61				Patriot Blue
	82205798	1	1, 5		31, 61				Garnet Red
	82206992	1	1, 5		31, 61				Bright Silver Metallic
-2	05018117AA	1	1, 5		31, 61				LOCK KIT, Hard-tonneau
-3	05018343AA	1	1, 5		31, 61				KEY, Master
4									COVER KIT, Tonneau-Hard, Three Piece, 5.25 Foot Bed
	82205069	1	1, 5		84				Black
	82205070	1	1, 5		84				White
	82205072	1			84				Flame Red
	82205073	1			84				Forrest Green
	82205076	1			84				Patriot Blue
	82205077	1			84				Garnet Red
	82206991	1	1, 5		84				Bright Silver Metallic
-5									GAS PROP KIT, Tonneau-hard
	05018067AA	1			84				Pair includes brackets
	05018201AA	1			84				Gas Struts for the front
-6	05018117AA	1			84				LOCK KIT, Hard-tonneau
-7	05018343AA	1			84				KEY, Master



DAKOTA (AN)

SERIES

L = Dakota (All)

LINE

1 = Dakota 2WD
5 = Dakota 4WD

BODY

61 = Regular Cab (112 WB)
31 = Club Cab (131 WB)
84 = Quad Cab (131 WB)

ENGINE

EPE = 2.5L 4 Cylinder
EHC = 3.9L 6 Cylinder
EML = 5.0L 8 Cylinder
EVA = 4.7L Magnum V8
EPO = All 2.5L
EHO = All 3.9L
EMO = All 5.9L
EVO = All 4.7L

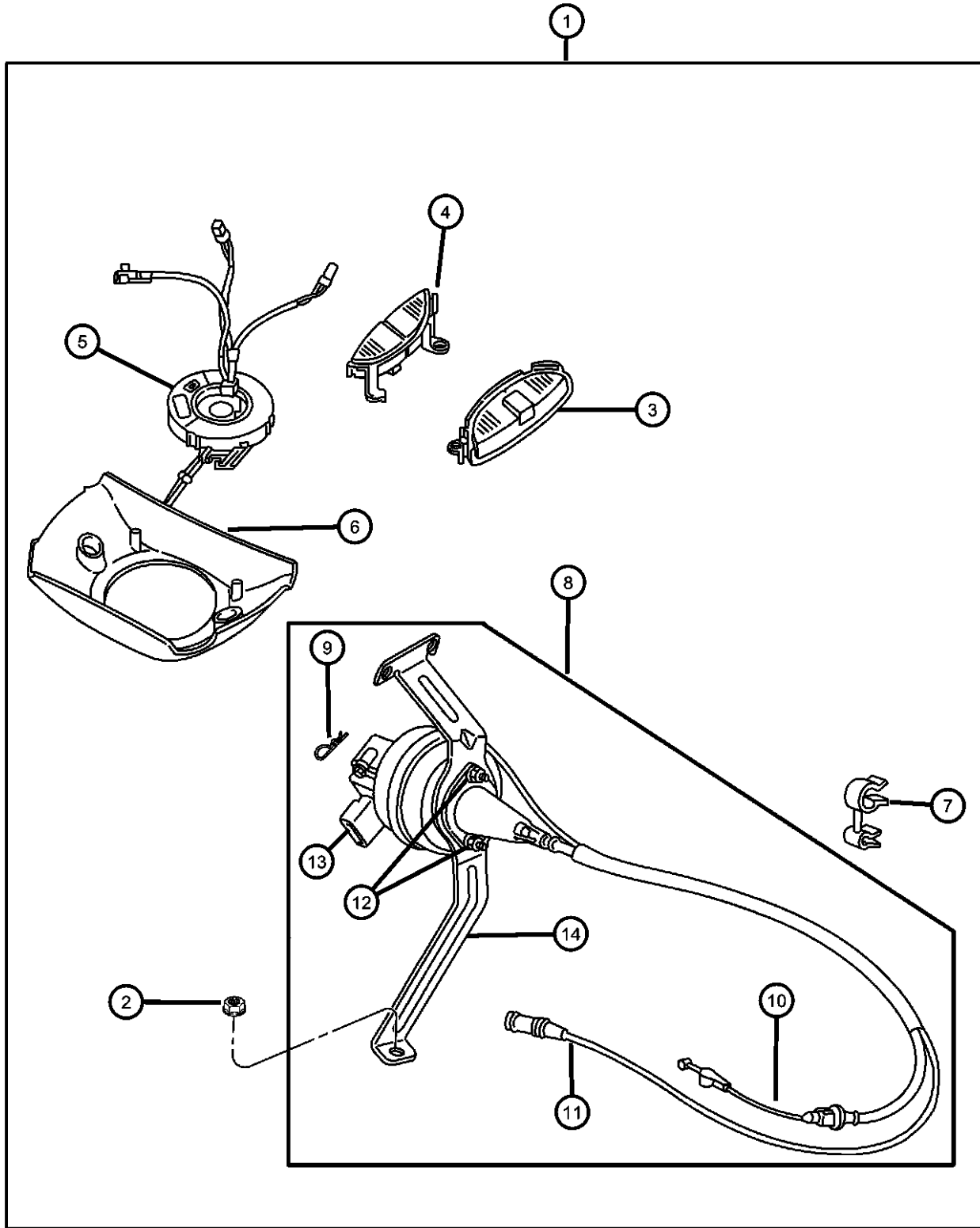
TRANSMISSION

DGK = 4 Speed Automatic 42RE
DGT = 4 Speed Automatic 46RE
DDC = 5 Speed HD Manual
DDK = 5 Speed HD Manual
DG4 = Multispeed Automatic 45RFE
DG0 = All Automatic Transmissions
DBB = All Manual Transmissions

AR = use ase required - = Non illustrated part

2002 AN

Control Package - Speed
Figure 1-310



ITEM	PART NUMBER	QTY	LINE	SERIES	BODY	ENGINE	TRANS	TRIM	DESCRIPTION
1									CONTROL PACKAGE, Speed Control
	82206969	1	1, 5		31, 61, 84				3.9L V6
	82206970	1	1, 5		31, 61, 84				4.7L V8
	82206971	1	1, 5		31, 61, 84				5.9L V8
2	82206971	1							NUT AND WASHER, M6x1.00, (NOT SERVICED),
3	56021332AB	1							SWITCH, Speed Control, Right
4	56021333AB	1							SWITCH, Speed Control, Left
5	56045403AF	1							CLOCKSPRING
6									SHROUD, Steering Column
	5GE09DX9AB	1							Black / Tilt
	5GE10DX9AB	1							Without Tilt
7	06506545AA	1							CLIP, Cruise Control, 4.7L V8
8	06506545AA	1							CONTROL, Speed, Service Component Parts, (NOT SERVICED)
9	06025867	1							CLIP, Cable to Servo Attach
10									CABLE, Speed Control
	05015853AA	1							5.9L V8
	05015856AA	1							3.9L V6
	05015857AB	1							4.7L V8
11									HARNESS, Speed Control Vacuum
	05015845AA	1							5.9L V8
		1							3.9L V6
	05015846AA	1							4.7L V8
12	06500274	1							LOCK NUT, M6x1.0x6
13	04669977	1							SERVO, Speed Control
14	05015843AA	1							BRACKET, Cruise Control Servo

DAKOTA (AN)

SERIES LINE
L = Dakota (All) 1 = Dakota 2WD
5 = Dakota 4WD

BODY
61 = Regular Cab (112 WB)
31 = Club Cab (131 WB)
84 = Quad Cab (131 WB)

ENGINE
EPE = 2.5L 4 Cylinder
EHC = 3.9L 6 Cylinder
EML = 5.0L 8 Cylinder
EVA = 4.7L Magnum V8
EPO = All 2.5L
EHO = All 3.9L
EMO = All 5.9L
EVO = All 4.7L

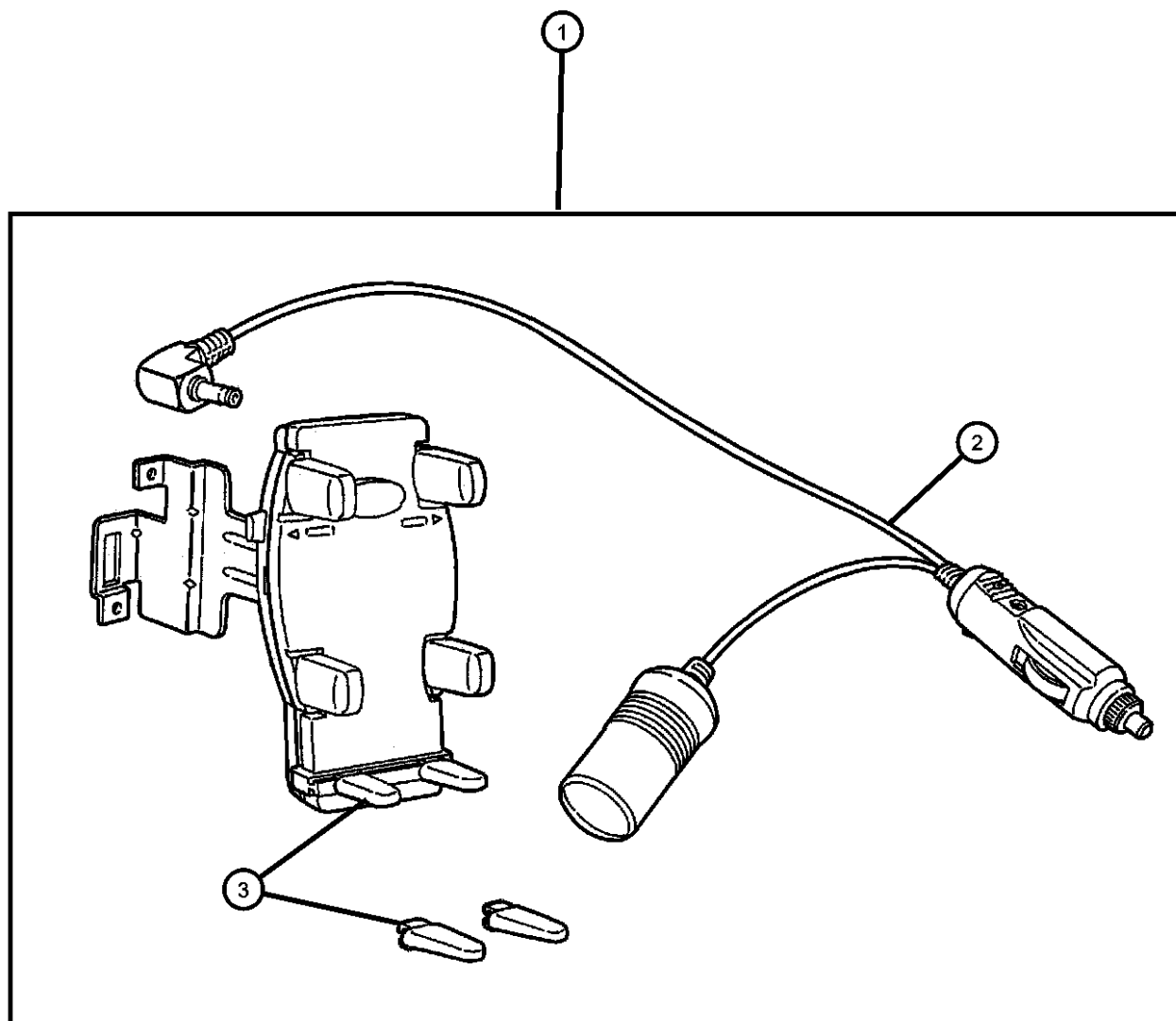
TRANSMISSION
DGK = 4 Speed Automatic 42RE
DGT = 4 Speed Automatic 46RE
DDC = 5 Speed HD Manual
DDK = 5 Speed HD Manual
DG4 = Multispeed Automatic 45RFE
DG0 = All Automatic Transmissions
DBB = All Manual Transmissions

AR = use ase required - = Non illustrated part

2002 AN

Mounting Kit - Cellular Phone
Figure 1-320

ITEM	PART NUMBER	QTY	LINE	SERIES	BODY	ENGINE	TRANS	TRIM	DESCRIPTION
1	82206685	1							MOUNTING KIT, Cellular Phone
2	05018104AA	1							CORD, Cellular Phone, 7.5 inch long
3	05018103AA	1							HARDWARE KIT, Accessory, Long Support Feet



DAKOTA (AN)

SERIES

L = Dakota (All)

LINE

1 = Dakota 2WD
 5 = Dakota 4WD

BODY

61 = Regular Cab (112 WB)
 31 = Club Cab (131 WB)
 84 = Quad Cab (131 WB)

ENGINE

EPE = 2.5L 4 Cylinder
 EHC = 3.9L 6 Cylinder
 EML = 5.0L 8 Cylinder
 EVA = 4.7L Magnum V8
 EPO = All 2.5L
 EHO = All 3.9L
 EMO = All 5.9L
 EVO = All 4.7L

TRANSMISSION

DGK = 4 Speed Automatic 42RE
 DGT = 4 Speed Automatic 46RE
 DDC = 5 Speed HD Manual
 DDK = 5 Speed HD Manual
 DG4 = Multispeed Automatic 45RFE
 DG0 = All Automatic Transmissions
 DBB = All Manual Transmissions

AR = use ase required - = Non illustrated part

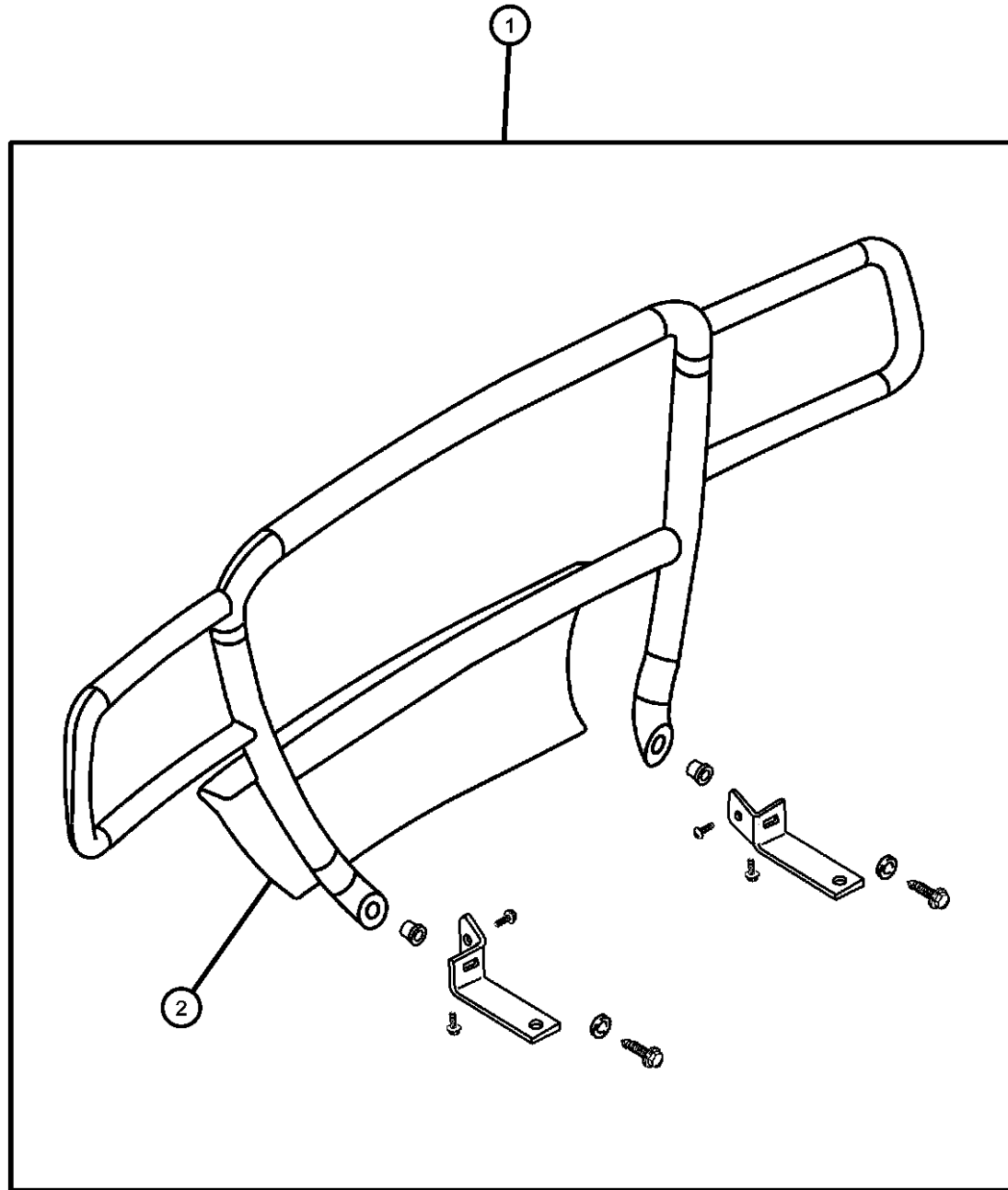
**Brush Guard
Figure 1-420**

ITEM	PART NUMBER	QTY	LINE	SERIES	BODY	ENGINE	TRANS	TRIM	DESCRIPTION
------	-------------	-----	------	--------	------	--------	-------	------	-------------

NOTES:

[P.A.R.] = Paint as Required

1									GUARD KIT, Brush
	82206465	1	1, 5		31, 61, 84				Chromed Steel
	82206468	1	1, 5		31, 61, 84				Natural Aluminum
	82206469	1	1, 5		31, 61, 84				Black
	82206470	1	1, 5		31, 61, 84				Bright White
	82206471	1	1, 5		31, 61, 84				Flame Red
	82206472	1	1, 5		31, 61, 84				Forest Green
	82206473	1	1, 5		31, 61, 84				Patriot Blue
	82206474	1	1, 5		31, 61, 84				Bright Silver
	82206477	1			31, 61, 84				Garnet Red
2	05018364AA	1			31, 61, 84				FASCIA, Front, Primed, [P.A.R.]



DAKOTA (AN)

SERIES	LINE
L = Dakota (All)	1 = Dakota 2WD 5 = Dakota 4WD

BODY
61 = Regular Cab (112 WB) 31 = Club Cab (131 WB) 84 = Quad Cab (131 WB)

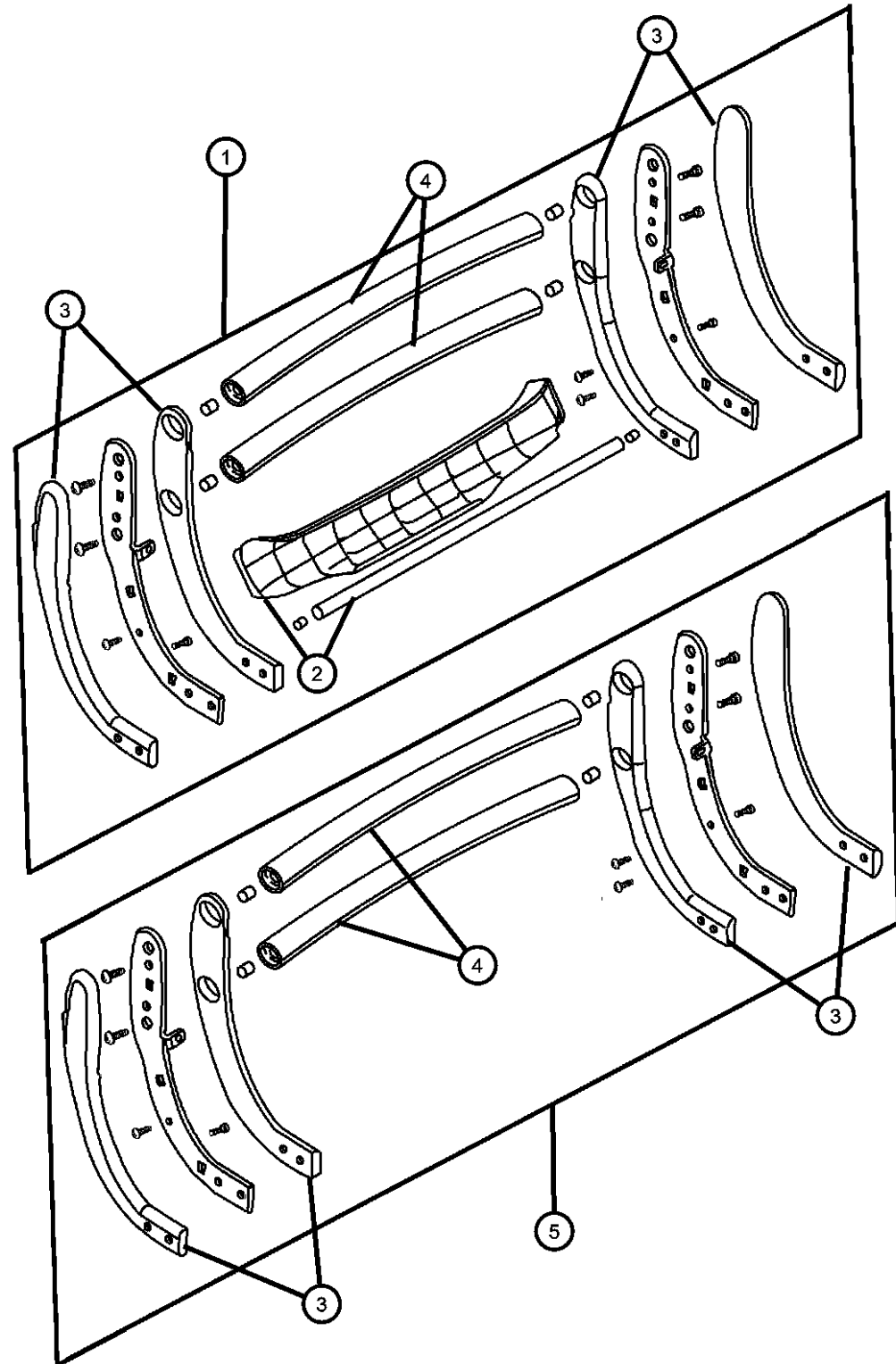
ENGINE
EPE = 2.5L 4 Cylinder EHC = 3.9L 6 Cylinder EML = 5.0L 8 Cylinder EVA = 4.7L Magnum V8 EPO = All 2.5L EHO = All 3.9L EMO = All 5.9L EVO = All 4.7L

TRANSMISSION
DGK = 4 Speed Automatic 42RE DGT = 4 Speed Automatic 46RE DDC = 5 Speed HD Manual DDK = 5 Speed HD Manual DG4 = Multispeed Automatic 45RFE DG0 = All Automatic Transmissions DBB = All Manual Transmissions

AR = use ase required - = Non illustrated part

2002 AN

**Grill Guard
Figure 1-422**



ITEM	PART NUMBER	QTY	LINE	SERIES	BODY	ENGINE	TRANS	TRIM	DESCRIPTION
1	82206478	1	1, 5		31, 61, 84				GUARD KIT, Grille, with Fascia, Black
2	05018425AA	1	1, 5		31, 61, 84				FASCIA, Front, Primed
3									END CAP, Grille Guard
	05018328AA	1	1, 5		31, 61, 84				Primed, Right
	05018329AA	1	1, 5		31, 61, 84				Primed, Left
4									CROSSTUBE, Grille Guard
	05018326AA	1	1, 5		31, 61, 84				Package of 2, Primed
	05018438AA	1	1, 5		31, 61, 84				Package of 2, Chromed
5									GUARD KIT, Grille, Without Fascia
	82206479	1	1, 5		31, 61, 84				Black
	82206480	1	1, 5		31, 61, 84				Chromed

DAKOTA (AN)

SERIES

L = Dakota (All)

LINE

1 = Dakota 2WD
5 = Dakota 4WD

BODY

61 = Regular Cab (112 WB)
31 = Club Cab (131 WB)
84 = Quad Cab (131 WB)

ENGINE

EPE = 2.5L 4 Cylinder
EHC = 3.9L 6 Cylinder
EML = 5.0L 8 Cylinder
EVA = 4.7L Magnum V8
EPO = All 2.5L
EHO = All 3.9L
EMO = All 5.9L
EVO = All 4.7L

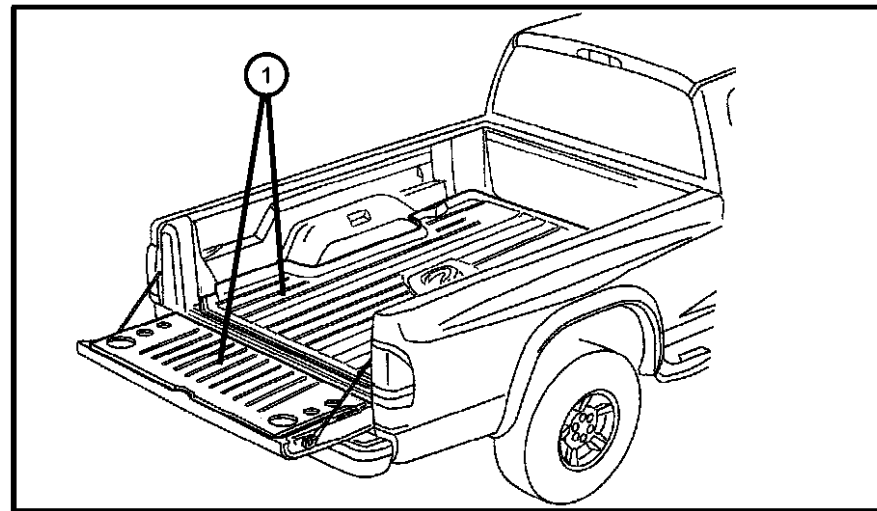
TRANSMISSION

DGK = 4 Speed Automatic 42RE
DGT = 4 Speed Automatic 46RE
DDC = 5 Speed HD Manual
DDK = 5 Speed HD Manual
DG4 = Multispeed Automatic 45RFE
DG0 = All Automatic Transmissions
DBB = All Manual Transmissions

AR = use ase required - = Non illustrated part

Bedliner, Trays and Mats
Figure 1-510

ITEM	PART NUMBER	QTY	LINE	SERIES	BODY	ENGINE	TRANS	TRIM	DESCRIPTION
1									TRAY, Molded Cargo
	82205003	1	1, 5		31, 61				6.5 Foot Box
	82206435	1			84				5.25 Foot Box
-2	05018121AA	1	1, 5		31, 61				HARDWARE KIT, Bed tray



DAKOTA (AN)

SERIES

L = Dakota (All)

LINE

1 = Dakota 2WD
 5 = Dakota 4WD

BODY

61 = Regular Cab (112 WB)
 31 = Club Cab (131 WB)
 84 = Quad Cab (131 WB)

ENGINE

EPE = 2.5L 4 Cylinder
 EHC = 3.9L 6 Cylinder
 EML = 5.0L 8 Cylinder
 EVA = 4.7L Magnum V8
 EPO = All 2.5L
 EHO = All 3.9L
 EMO = All 5.9L
 EVO = All 4.7L

TRANSMISSION

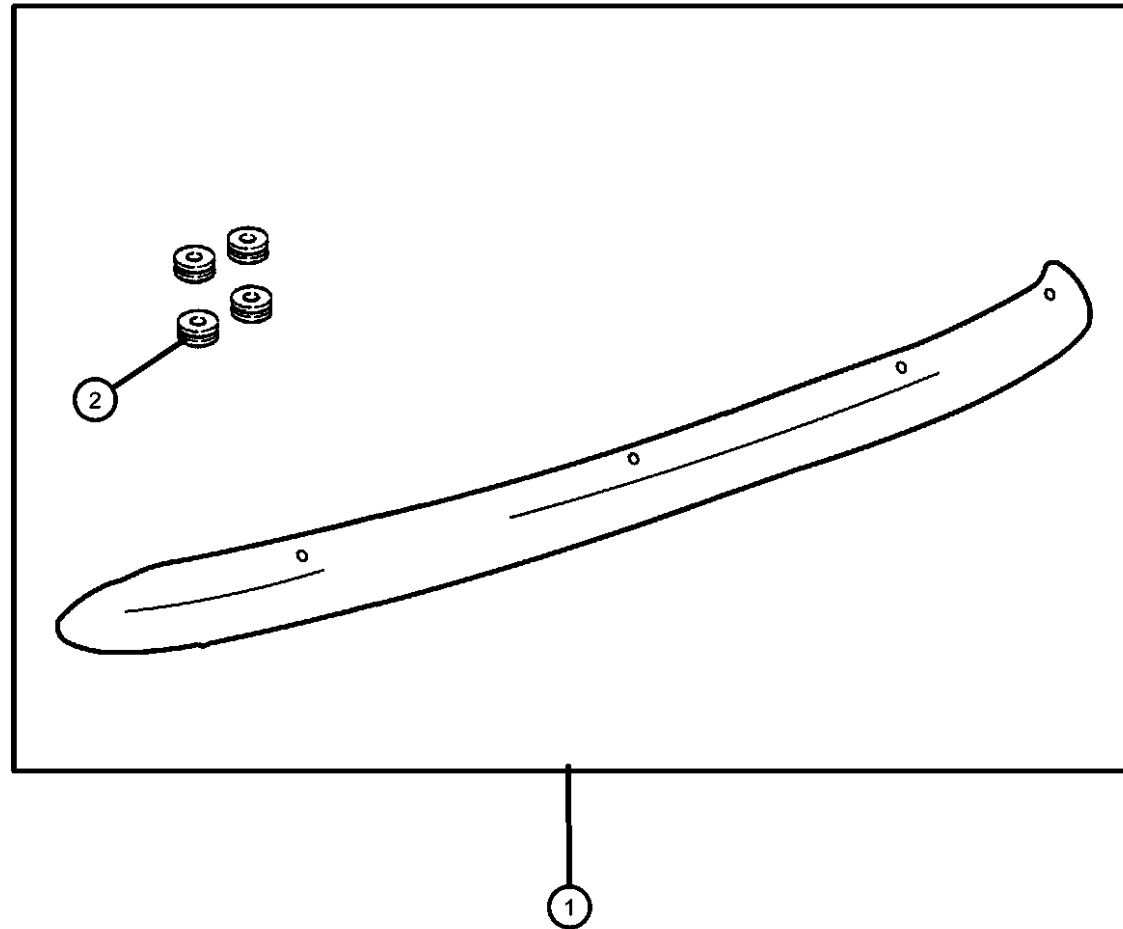
DGK = 4 Speed Automatic 42RE
 DGT = 4 Speed Automatic 46RE
 DDC = 5 Speed HD Manual
 DDK = 5 Speed HD Manual
 DG4 = Multispeed Automatic 45RFE
 DG0 = All Automatic Transmissions
 DBB = All Manual Transmissions

AR = use ase required - = Non illustrated part

2002 AN

Shield Kit - Air Front
Figure 1-530

ITEM	PART NUMBER	QTY	LINE	SERIES	BODY	ENGINE	TRANS	TRIM	DESCRIPTION
NOTE: Shield Kit - Color Smoke, Material Lexan. Ram's Head Logo									
1									SHIELD KIT, Air - Front
	82202754	1	1, 5		31, 61, 84				
	82204322	1	1, 5		31, 61, 84				Includes hood and fender deflectors
2	05014754AA	1	1, 5		31, 61, 84				SPACER, Air Deflector



DAKOTA (AN)

SERIES

L = Dakota (All)

LINE

1 = Dakota 2WD
5 = Dakota 4WD

BODY

61 = Regular Cab (112 WB)
31 = Club Cab (131 WB)
84 = Quad Cab (131 WB)

ENGINE

EPE = 2.5L 4 Cylinder
EHC = 3.9L 6 Cylinder
EML = 5.0L 8 Cylinder
EVA = 4.7L Magnum V8
EPO = All 2.5L
EHO = All 3.9L
EMO = All 5.9L
EVO = All 4.7L

TRANSMISSION

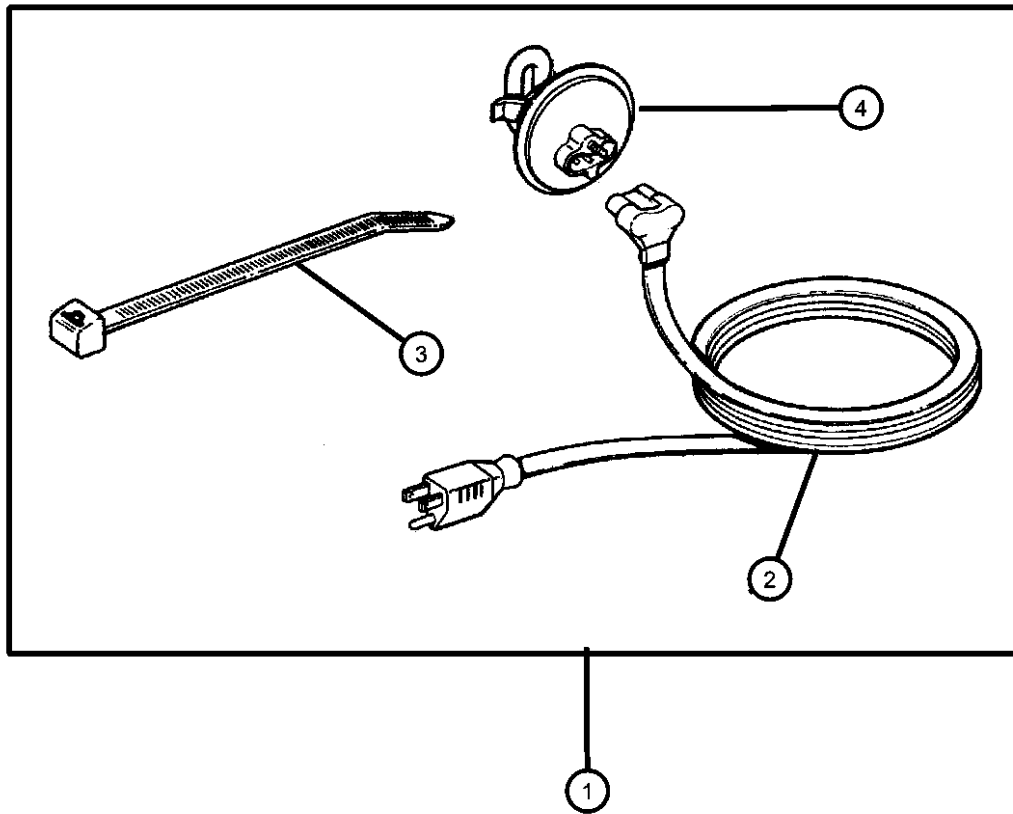
DGK = 4 Speed Automatic 42RE
DGT = 4 Speed Automatic 46RE
DDC = 5 Speed HD Manual
DDK = 5 Speed HD Manual
DG4 = Multispeed Automatic 45RFE
DG0 = All Automatic Transmissions
DBB = All Manual Transmissions

AR = use ase required - = Non illustrated part

2002 AN

Heater Kit - Engine Block
Figure 1-610

ITEM	PART NUMBER	QTY	LINE	SERIES	BODY	ENGINE	TRANS	TRIM	DESCRIPTION
1	82201505	1							HEATER PACKAGE, Engine Block, 2.5L Engine
2	56020234	1							CORD, Engine Block Heater
3	06015756	1							STRAP, Tie
4	06015756	1							HEATER KIT, Engine Block, (NOT SERVICED)



DAKOTA (AN)

SERIES

L = Dakota (All)

LINE

1 = Dakota 2WD
 5 = Dakota 4WD

BODY

61 = Regular Cab (112 WB)
 31 = Club Cab (131 WB)
 84 = Quad Cab (131 WB)

ENGINE

EPE = 2.5L 4 Cylinder
 EHC = 3.9L 6 Cylinder
 EML = 5.0L 8 Cylinder
 EVA = 4.7L Magnum V8
 EPO = All 2.5L
 EHO = All 3.9L
 EMO = All 5.9L
 EVO = All 4.7L

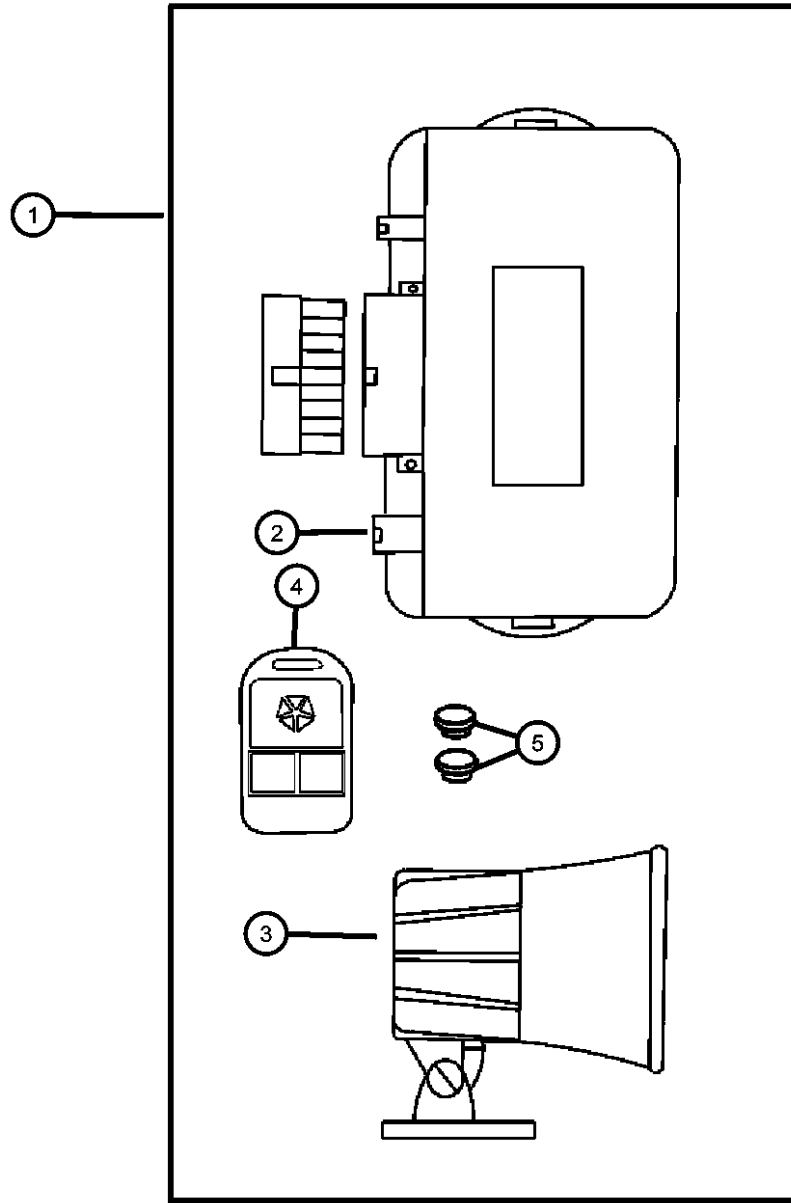
TRANSMISSION

DGK = 4 Speed Automatic 42RE
 DGT = 4 Speed Automatic 46RE
 DDC = 5 Speed HD Manual
 DDK = 5 Speed HD Manual
 DG4 = Multispeed Automatic 45RFE
 DG0 = All Automatic Transmissions
 DBB = All Manual Transmissions

AR = use ase required - = Non illustrated part

**Alarm EVS Base System
Figure 1-910**

ITEM	PART NUMBER	QTY	LINE	SERIES	BODY	ENGINE	TRANS	TRIM	DESCRIPTION
1	82203763	1							MODULE KIT, Alarm without Keyless
2	82204268	1	1, 5		31, 61, 84				MODULE, Security Alarm, W/factory keyless entry
3	82203198	1							SIREN, Alarm
4	04886374AA	1							TRANSMITTER, Alarm or Keyless
5	04636141	1							BATTERY, Transmitter
-6	04886259AA	1	1, 5		31, 61, 84				INDICATOR, Valet Status
-7	04886258AA	1							SWITCH, Programing Bypass



DAKOTA (AN)

SERIES

L = Dakota (All)

LINE

1 = Dakota 2WD
5 = Dakota 4WD

BODY

61 = Regular Cab (112 WB)
31 = Club Cab (131 WB)
84 = Quad Cab (131 WB)

ENGINE

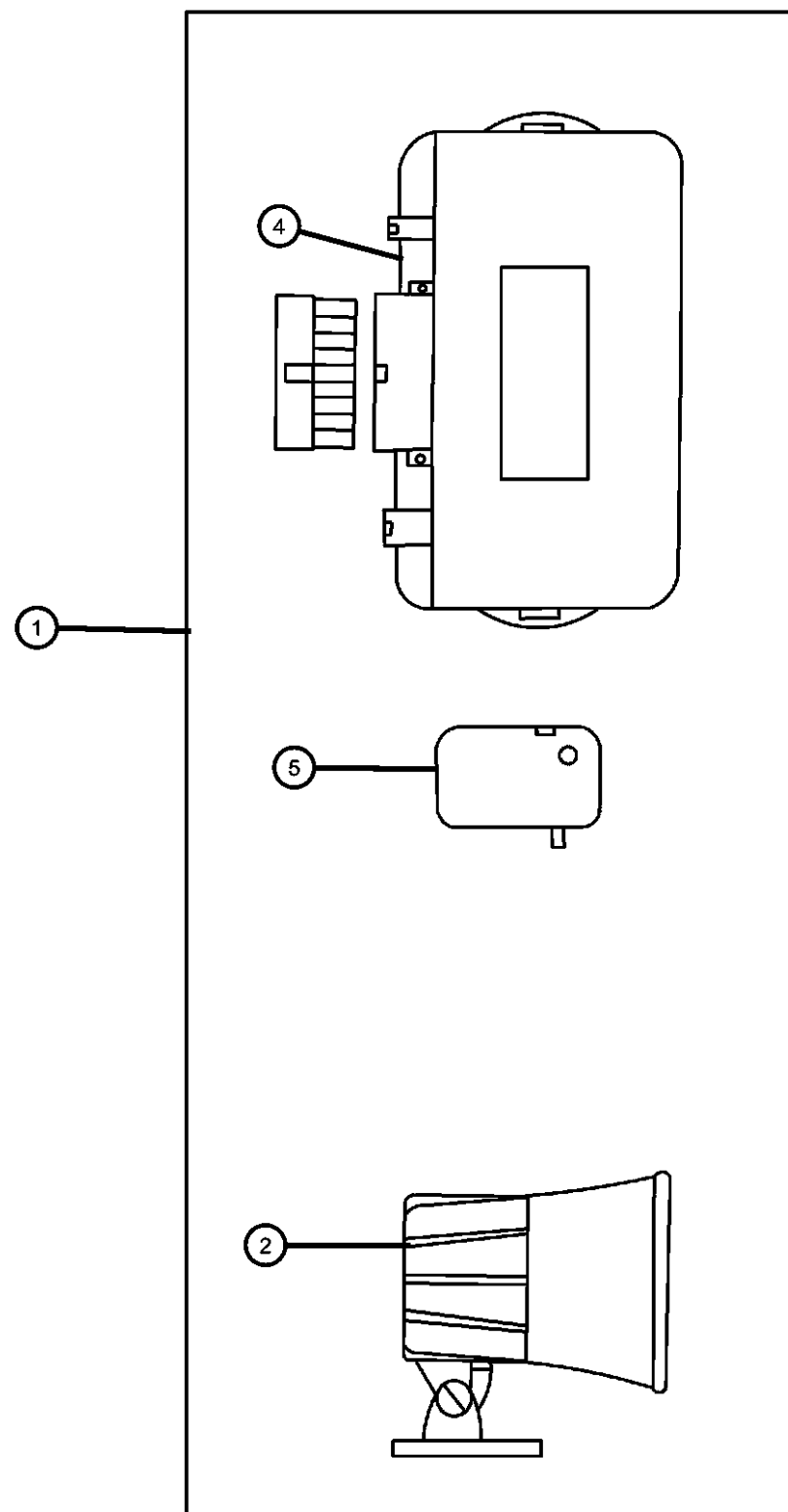
EPE = 2.5L 4 Cylinder
EHC = 3.9L 6 Cylinder
EML = 5.0L 8 Cylinder
EVA = 4.7L Magnum V8
EPO = All 2.5L
EHO = All 3.9L
EMO = All 5.9L
EVO = All 4.7L

TRANSMISSION

DGK = 4 Speed Automatic 42RE
DGT = 4 Speed Automatic 46RE
DDC = 5 Speed HD Manual
DDK = 5 Speed HD Manual
DG4 = Multispeed Automatic 45RFE
DG0 = All Automatic Transmissions
DBB = All Manual Transmissions

AR = use ase required - = Non illustrated part

Alarm, EVSII
Figure 1-914



ITEM	PART NUMBER	QTY	LINE	SERIES	BODY	ENGINE	TRANS	TRIM	DESCRIPTION
1	82204268	1	1, 5		31, 61, 84				MODULE, Security Alarm
2	82203198	1	1, 5		31, 61, 84				SIREN, Alarm
-3	04886259AA	1	1, 5		31, 61, 84				INDICATOR, Valet Status
4	05011619AA	1	1, 5		31, 61, 84				MODULE, Security Alarm
5	04886261AA	1	1, 5		31, 61, 84				SENSOR, Shock, With Connector

DAKOTA (AN)

SERIES

L = Dakota (All) 1 = Dakota 2WD
5 = Dakota 4WD

LINE

BODY

61 = Regular Cab (112 WB)
31 = Club Cab (131 WB)
84 = Quad Cab (131 WB)

ENGINE

EPE = 2.5L 4 Cylinder
EHC = 3.9L 6 Cylinder
EML = 5.0L 8 Cylinder
EVA = 4.7L Magnum V8
EPO = All 2.5L
EHO = All 3.9L
EMO = All 5.9L
EVO = All 4.7L

TRANSMISSION

DGK = 4 Speed Automatic 42RE
DGT = 4 Speed Automatic 46RE
DDC = 5 Speed HD Manual
DDK = 5 Speed HD Manual
DG4 = Multispeed Automatic 45RFE
DG0 = All Automatic Transmissions
DBB = All Manual Transmissions

AR = use ase required - = Non illustrated part