

# 1993-96

**LH = CHRYSLER DODGE EAGLE**

## **PARTS CATALOG**

**ILLUSTRATIONS AND TEXT  
BODY - CHASSIS - TRIM**

**LP41 = CONCORDE  
CH41 = NEW YORKER  
DH41, DP41 = INTREPID  
XP41 = VISION  
CP41 = LHS**

**81-690-1943  
SUPERSEDES  
81-690-1847**

**GENERAL  
INFORMATION**

**1993-96 (LH) CHRYSLER-DODGE-EAGLE  
PARTS CATALOG**

Page INF - 1

This publication contains Parts Information for all **1993-96** LH=Chrysler-Intrepid-Vision-Concorde.

The use of this Parts Catalog and the arrangement of information herein is explained in the General Information Section as indexed below.

### **INDEX TO INFORMATION PAGES**

- ABBREVIATIONS . . . . . **INF-11-14**
- ALPHABETICAL INDEX. . . . . **INF- 5**
- BODY PLATE INTERPRETATION. . . . . **INF- 8**
- BUILD DATE MO. AND YR. . . . . **INF- 8**
- COLOR CODED OR COMBINED PART NUMBERS. . . . . **INF- 6**
- GROUP SYSTEM. . . . . **INF- 3**
- HOW TO LOCATE PARTS. . . . . **INF- 2**
- ILLUSTRATION INDEX. . . . . **INF- 5**
- INTERIOR TRIM. . . . . **INF- 6**
- INTERNATIONAL SYMBOLS. . . . . **INF-15**
- METRIC CONVERSION TABLE . . . . . **INF-10**
- NEWPART INDEX. . . . . **INF- 5**
- NUMERICAL INDEX. . . . . **INF- 5**
- PAGE NUMBERING . . . . . **INF- 4**
- PARTS CATALOG REVISION SERVICE. . . . . **INF- 5**
- PARTS PACKAGES. . . . . **INF- 5**
- PRICE CLASS (SERIES) INFORMATION. . . . . **INF-7 & 8**
- PRODUCT BULLETINS. . . . . **INF- 5**
- RIGHT AND LEFT PART NUMBERS . . . . . **INF- 4**
- SALES CODES. . . . . **INF- 9**
- SPECIFYING INFORMATION. . . . . **INF- 4**
- STANDARD PARTS . . . . . **INF- 5**
- SYMBOLS USED IN THIS CATALOG. . . . . **INF- 4**
- VIN PLATE IDENTIFICATION. . . . . **INF- 7**

**HOW TO USE THIS CATALOG AND LOCATE PARTS**

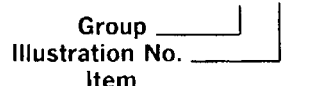
This Catalog is divided into Part Groups in which illustrations for parts of a similar function and/or location are published. The Group Contents listing on the next page shows the type of parts contained in each group. Tabs are provided or available to separate each group.

Several methods may be used to locate a specific part:

Option 1: From the Group Contents listing, select the group which would most logically contain the part to be found. Or open the catalog to Group 1, Master Group Illustration Index. Select the illustration group most likely to contain the parts associated. Turn to the Illustration Index in front of that group to select illustration and locate the parts item numbers and associated text information

Option 2: If the "noun" name of the part you seek is known, an alphabetical index of Nouns and illustration titles is provided to assist in finding the part. Several keys may be found in this index.

<b>RESERVOIR</b> Power Strng. Oil Pump. . . . .	Group 19	Group Reference
<b>ALTERNATOR</b> , 3.3L Engine. . . . .	8-200	Illustration Reference
<b>STARTER</b> . . . . .	.08-105-1	Illustration/Item Reference



Option 3: If the part number is known but the applications need to be determined, refer to the numerical index. This index shows the group, illustration number and item for each part listed in the catalog. Multiple references mean the part is listed more than once.

**PART GROUP - TITLES & CONTENT**

GROUP	CONTENTS
INF	Information Section
AL	Alphabetical Index
NE	Newpart Index
IL	Illustration Index (All Groups)
1	Master Index
2	<b>Front Suspension &amp; Drive</b> Front Suspension Components. . . Steering Knuckles Front Drive Shafts, Axles, Locking Hubs. . . Front Differential
4	<b>Parking Brake Controls</b>
5	<b>Service Brakes</b> Brake Controls and Mechanism. . . Brake Warning Switch, Park Brake Components within the Wheel. . . Wheel Hardware, Bearings and Seals
7	<b>Cooling</b> Front Grille, Grille Support, Radiator Supports, Headlamp Supports. . . Radiators, Fans and Fan Motors, Hoses, Thermostats. . . Transmission Cooling. . . Water Pumps. . . Drive Belts and Pulleys . . . Turbocharger Cooling
8	<b>Electrical</b> Switches, Relays, Solenoids, Sensors, . . . Battery Trays. . . Engine Electrical. . . Starters, Alternators, Distributors. . . Front, Rear, Interior Lamp. . . Body Wiring. . . Horn
8A	<b>Instrument Panel and Console</b> Instrument Panel and Console Electrical Parts, Clusters, Switches, Wiring. . . All Hard and Soft Trim Parts. . . Radio, Speakers and Antenna
9 (A, B. . .)	<b>Engine (By Engine Type)</b> Engine Components. . . Engine Oil System. . . Flywheels, Torque Converters . . . Engine Mounting
11	<b>Exhaust</b> Exhaust System Components. . . Heat Shields
13	<b>Frame, Bumper &amp; Fascia</b> Frame Components, Crossmembers. . . Bumper and Fascia Components. . .
14	<b>Fuel</b> Accelerator Pedal, Linkage, Throttle Control. . . Air Cleaner. . . Carburetors Throttle Body and Injection Components . . . Fuel Lines, Fuel Tank. . . Fuel Pump . . . Turbocharger Components. . . Speed Control

GROUP	CONTENTS
17	<b>Rear Suspension</b> Rear Suspension Components
19	<b>Steering</b> Steering Wheels, Column. . . Power Steering Pump. . . Steering Gear. . . Steering Linkage, Tie Rods
21A	<b>Automatic Transmission</b> Automatic Transmission, Transaxle and Components. . . Gearshift Controls. . . Speedometer Pinion and Cable
22	<b>Wheels</b> Wheel Rims. . . Wheel Covers, Hubcaps . . . Jack and Spare Tire Storage
23	<b>Exterior Ornamentation</b> Exterior Ornamentation, Tape Stripes, Decals. . . Exterior Moldings. . . Vinyl Roof and Trim Ground Effects Pkgs.
23A	<b>Body-Sheet Metal Except Doors</b> Body Metal. . . Stationary Glass. . . Sunroof. . . Convertible Top. . . Hood and Deck Release
23C	<b>Body-Doors and Related Parts</b> Door Metal. . . Door Hardware. . . Door Glass. . . and Regulator. . . Door Mirrors . . . Weatherstrips
23D	<b>Body-Miscellaneous</b> Lock Cylinders and Keys. . . Windshield Washer/Wiper System
IT	<b>Interior Trim (By Body Code)</b> All Interior Trim Except Dash and Console. . . Seats and Seat Belts. . . Seat Adjusters, Manual and Power. . . Carpet. . . Interior Panels and Moldings . . . Security/Tonneau Covers
24	<b>Heater and Air</b> Heater, Air Conditioning System and Controls
25	<b>Emission Systems</b> Air Pump. . . EGR System. . . Vapor Canister
NU	<b>Numerical Index</b>

**PAGE NUMBERING**

Two-part page numbers are used throughout this catalog. The first part of the page designation indicates one major group or section. The second part indicates the actual page number in the group. For example:

- 2-1 indicates Group 2, Front Suspension, Page 1
- 4-4 indicates Group 4 Parking Brakes, Page 4

In the maintenance of the Loose Leaf Parts Catalog Revision Service, it may become necessary to add information beyond the capacity of the page. In this event, an "A" page will be used. For example, if it becomes necessary, because of change, to add several part numbers to page 2-1 and space does not permit the addition, you will be given Page 2-1A. Page 2-1A should be filed immediately following Page 2-1

Figure and Item Numbers are also commonly used to identify locations in this Catalog, i.e., 14-910/8 refers to Group 14, illustration 910, Item Number 8. Illustration Numbers are always ascending sequential within the Groups

**RIGHT AND LEFT PART NUMBERS**

Right and Left part numbers are frequently combined on one line, e.g., 3514 444-5. Such numbers are interpreted as 3514 444 Right side application and 3514 445 Left Side. Right and Left Sides are always determined by their relationship to the driver when normally seated and looking forward.

**SYMBOLS USED IN THIS PARTS CATALOG**

The following symbols are commonly used with Part Number and quantity information in this Catalog:

**BOLD TYPE** - European only.

AR - Indicates the quantity required may vary or is to be determined by the user.

PAR - Indicates Paint As Required.

— - Indicates Item Not Illustrated.

**SPECIFYING INFORMATION**

The following information is included in this Parts Catalog:

- |  |   |
|--|---|
| 1. Part Name.  | 7. Effective points of model year running changes are indicated by vehicle serial number, engine number or body number where applicable. When serial number effective points are not available, production effective dates are used. (Refer to the Federal Certification Label for the build date.) |
| 2. Part Number.  |   |
| 3. Model Application.  |   |
| 4. Quantity used per vehicle.  |   |
| 5. Description and dimensions necessary for proper identification of parts where necessary.                |   |
| 6. Model or Engine Column:<br>Engine by Displacement or Vehicle Model Code Body Style Code or Price Class. | 8. Parts designated as CANADA or EXPORT are not available through U.S. parts outlets.   |

In the event replacement parts not listed herein are required due to a special service situation, Chrysler Dealers should contact their factory specifier for assistance. Problems encountered with particular part specifications can be resolved in the same manner.

**ILLUSTRATION INDEX**

This index is a compilation of catalog parts description data with reference to illustrations, figures and key numbers as shown:

ILLUSTRATION INDEX	GROUP	ILLUS. NO.
THROTTLE BODY .....	14	600

The first page of each group contains a listing of all illustrations within that group. Also refer to illustrations alphabetically listed in information section.

**ALPHABETICAL INDEX**

This index is a compilation of catalog parts description data with a reference to the location of the item by group - Figure and key number as shown in the following example:

<b>THROTTLE BODY</b>	14 - 610/ 18
Group _____	
Illustration No. _____	
Item _____	

The index will be expanded progressively as data is added to computer files. To locate a part by name, refer to the Alphabetical Index. This index indicates the group and illustration and item number where the part is located. Alphabetical Index can be found in INF section of catalog.

**NUMERICAL INDEX**

A listing of Part Numbers contained in the catalog. The numbers are in numerical sequence with reference to the group and illustration and item number where the part is located.

**PARTS PACKAGES**

Service Parts Packages, containing all parts needed for specific service operation, are listed in their respective groups with related parts. The listing will show adaptability and model application.

**STANDARD PARTS**

Important attaching standard parts such as bolts, nuts, etc. are generally listed in the text of the respective major parts groups.

**CATALOG AND PARTS BULLETINS**

BULLETINS are issued when important changes are made in production or when corrections are to be made in the Parts Catalog between regular revisions. All catalogs should be noted and changed accordingly to remain current between revisions.

**PARTS CATALOG REVISION SERVICE**

Subscribers to the Passenger Car Catalog Revision Service will be periodically provided with revised copy incorporating the latest information. Revisions may be provided by Group or complete book copy.

**NEWPART INDEX**

A listing of new part numbers contained in the catalog. The numbers are in group sequence with reference to the illustration and item number where the part is located.

## COLOR CODED OR COMBINED PART NUMBERS

Appearing throughout this catalog are part numbers containing both letters and numbers. For example: D500 KB7. These are good serviceable part numbers. The combination of letters and numbers merely indicates the parts are keyed to the interior color of the vehicles on which they are used.

In addition, Right and Left part numbers are frequently combined on one line; e.g. D500 -1 KB7. Such numbers are interpreted as D500 KB7, Right side application, and D501 KB7 Left side. Right and Left Sides are always determined by their relationship to the driver when normally seated and looking forward.

## INTERIOR TRIM

Refer to the Group IT, Interior Trim section of the catalog, for information relative to Interior Soft and Hard Trim, Rolled Stock, etc.

## VIN PLATE IDENTIFICATION

1	2	3	4	5	6	7	8	9	10	11	12 thru 17
Country	Make	Vehicle Type	Other	Line	Series	Body Style	Engine	Check Digit	Model Year	Assy. Plant	Sequence No.

- 1 COUNTRY**  
 1 = Built By Chrysler Corporation  
 2 = Built By Chrysler Canada LTD.  
 3 = Built By Chrysler De Mexico

- 2 MAKE**  
 B = Dodge  
 C = Chrysler  
 E = Eagle

- 3 VEHICLE TYPE**  
 3 = Passenger Car

- 4 OTHER**  
 B = Manual Seat Belts  
 E = Active Restraint, Passenger Air Bag  
 X = Driver Air Bag, Passenger Manual Seat Belt  
 H = HYBRID Air Bag

- 5 LINE**  
 L = Chrysler, Concorde (LP41)  
 D = Dodge, Intrepid (DH41, DP41)  
 D = Eagle, Vision (XP41)  
 CHRYSLER  
 D = New Yorker (H) (CH41)  
 D = Chrysler "LHS" (P) (CP41)  
 E = Chrysler Vision

**5/6 LINE DODGE 1995-96**

- D 4 INTREPID  
 D 5 INTREPID ES

**LINE CHRYSLER 1995-96**

- C 4 NEW YORKER  
 C 5 LHS  
 D 5 LHS (CANADA)  
 D 5 CONCORDE  
 D \* NEW YORKER (EUROPE)  
 B, E \* VISION (JAPAN/EUROPE)  
 H 4/5 INTREPID/ES (CANADA)

**LINE EAGLE 1995-96**

- D 5 VISION ESI  
 D 6 VISION TSI

- 6 SERIES**  
 4 = High Line  
 5 = Premium  
 6 = Sport  
 B = 4 Spd. Auto. Trans.

- 7 BODY STYLE**  
 6 = 4 Dr. Sedan

- 8 ENGINE**  
 T = 3.3L 6 cyl. Gasoline (EGB)  
 F = 3.5L 6 cyl. Gasoline 24V (MPI)(EGE)

- 9 CHECK DIGIT**  
 0, 1, 2, 3, 4, 5, 6, 7, 8, 9, X

- 10 MODEL YEAR**  
 P = 1993  
 R = 1994  
 S = 1995  
 T = 1996

- 11 ASSEMBLY PLANT**  
 H = Bramalea  
 F = Newark Assy.

**12 thru 17**

- SEQUENCE NO.**  
 Six Digit Number

## 1993-96 BODY CODE PLATE

The Body Code Plate is located in the engine compartment. There are seven lines of information on the body code plate. Lines 4, 5, 6 and 7 are not used to define service information. Information reads from left to right, starting with line 3 in the center of the plate to line 1 at the bottom of the plate.

If two body code plates are required, the last code shown on either plate will be followed by END. When two plates are required, the last code space on the first plate will show CTD (for continued), and the first four spaces of each line will not be used due to the overlap of the plates.

CODE PLATE INTERPRETATION																							
1	2	3	4	5	6	7	8	9	10	11	12	13	14	15	16	17	18	19	20	21			
22	23	24		25	26	27	28		29	30	31	32		33	34	35	36		37	38	39		
40	41	42		43		44	45	46	47	48	49	50	51	52	53	54	55	56	57	58	59	60	

**1-12**  
VEHICLE ORDER NUMBER

**13-15**  
VINYL ROOF CODE

**16-18**  
VEH.  
SHELL CAR LINE  
LHXP = Eagle, Vision ESI  
LHXS = Eagle, Vision TSI  
LHDH = Dodge, Intrepid  
LHDP = Dodge, Intrepid ES  
LHLP = Chrysler, Concorde  
LHCH = Chrysler, New Yorker  
LHCP = Chrysler, "LHS"

**19**  
PRICE CLASS  
E = Economy  
H = High Line  
L = Low Line  
M = Mid Line  
P = Premium  
S = Special/Sport  
X = Performance Image

**20-21**  
BODY TYPE  
41 = 4 Dr. Sedan

**22-24**  
PAINT PROCEDURE

**25-28**  
PRIMARY PAINT  
See Group IT-Trim Section

**29-32**  
SECONDARY PAINT

**33-36**  
INTERIOR TRIM CODE  
See IT Section

**37-39**  
ENGINE CODES  
EGB = 3.3L 6 cyl. Gasoline  
EGE = 3.5L 6 cyl. Gasoline  
24 Valve

**40-42**  
TRANSMISSION CODES  
DGX = 42LE 4 Spd. Electronic  
Auto. Trans.

**43**  
MARKET CODE  
U = United States  
C = Canada  
B = International  
M = Mexico

**44-60**  
VEHICAL IDENTIFICATION  
NUMBER (VIN)  
For definition of the Elements and  
the individual positions see VIN  
DEFINED

## SALES CODES

Due to the increase complexity of qualifications required to describe the application of some replacement parts; particularly those related to the Emission Control System, Sales Codes are used on a selected basis in some areas of this publication.

Normally, Sales Codes will be employed as secondary qualifiers and are for the express purpose of providing positive identification of parts applicable to vehicle components or systems so complex in nature that normal methods of written qualification are either inadequate or confusing.

The Sales code will always appear after the written description of the part; will be enclosed in parenthesis; will be prefixed S/C, and will follow a hyphen appended to the S/C, e.g.: (S/C-NAE).

To determine whether or not the vehicle for which the part is being specified was built with a particular Sales Code it will be necessary to refer to the Body Code Plate depicted on page INF- 8. Sales Codes are also listed on vehicle invoices and on the Maroney label which is affixed to the side glass on new units.

## METRIC CONVERSION TABLE

## LINEAR MEASUREMENT

1 foot (ft.)	= 12 inches (in.)
1 yard (yd.)	= 3 ft. = 36 in.
1 mile (statute)	= 5,280 ft.

1 centimeter (cm)	= 10 millimeters (mm)
1 meter (m)	= 100 cm = 1000 mm
1 kilometer (km)	= 1000 meters

To convert	Into	Multiply by	To convert	Into	Multiply by
inches	centimeters	2.5400	centimeters	inches	0.3937
inches	millimeters	25.4000	millimeters	inches	0.0394
feet	meters	0.3048	meters	feet	3.2808
feet	millimeters	304.8000	millimeters	feet	0.0033
yards	meters	0.9144	meters	yards	1.0936
miles	kilometers	1.6093	kilometers	miles	0.6214

## AREA MEASUREMENT

1 square foot (sq.ft.)	= 144 square inches (sq.in.)
1 square yard (sq.yd.)	= 9 square feet
1 acre	= 4,840 sq. ft.
1 square mile	= 640 acres

1 sq. centimeter (cm <sup>2</sup> )	= 100 sq. millimeters (mm <sup>2</sup> )
1 sq. meter (m <sup>2</sup> )	= 10,000 cm <sup>2</sup>
1 are (a)	= 100 m <sup>2</sup>
1 sq. kilometer (km <sup>2</sup> )	= 1,000,000 m <sup>2</sup>

To convert	Into	Multiply by	To convert	Into	Multiply by
square inches	sq. centimeters	6.4516	sq. centimeters	sq. inches	0.1550
square feet	sq. meters	0.0929	sq. meters	sq. feet	10.7639
square yards	sq. meters	0.8361	sq. meters	sq. yards	1.1960
acres	sq. meters	4.047.0	sq. meters	acres	0.0002
square miles	sq. kilometers	2.5900	sq. kilometers	sq. miles	0.3861

## CUBIC MEASUREMENT (VOLUME)

1 cubic foot (cu. ft.)	= 1.728 cubic inches (cu. in.)
1 cubic yard (cu. yd.)	= 27 cubic feet

1 cu. centimeter (cm <sup>3</sup> )	= 1000 cu. millimeters (mm <sup>3</sup> )
1 cubic meter (m <sup>3</sup> )	= 1,000,000 cm <sup>3</sup>

To convert	Into	Multiply by	To convert	Into	Multiply by
cubic inches	cu. centimeters	16.3872	cu. centimeters	cubic inches	0.0610
cubic feet	cubic meters	0.0283	cubic meters	cubic feet	35.3145
cubic yards	cubic meters	0.7646	cubic meters	cubic yards	1.3079

## LIQUID MEASUREMENT (CAPACITY)

1 pint (pt.)	= 28.875 cubic inches
1 quart (qt.)	= 2 pints = 57.75 cu. in.
1 gallon (gal.)	= 4 qts. = 231 cu. in.

1 centimeter (cl.)	= 10 milliliters (ml.)
1 liter (l)	= 100 cl. = 1000 ml.
1 kiloliter (kl)	= 1000 liters

To convert	Into	Multiply by	To convert	Into	Multiply by
cubic inches	liters	0.0164	liters	cubic inches	61.0250
pints	liters	2.1132	liters	pints	0.4732
quarts	liters	0.9463	liters	quarts	1.0566
gallons	liters	3.7853	liters	gallons	0.2642
cubic feet	liters	28.3162	liters	cubic feet	0.0353

## WEIGHT MEASUREMENT

1 ounce (oz.)	= 16 drams
1 pound (lb.)	= 16 ounces
1 short ton	= 2000 pounds
1 long ton	= 2240 pounds

1 centigram (cg.)	= 10 milligrams (mg.)
1 gram (g.)	= 100 cg. = 1000 mg.
1 kilogram (kg.)	= 1000 grams
1 metric ton (t.)	= 1000 kg.

To convert	Into	Multiply by	To convert	Into	Multiply by
drams	grams	1.7718	grams	drams	0.5644
ounces	grams	28.3495	grams	ounces	0.0353
pounds	kilograms	0.4536	kilograms	pounds	2.2046
tons (short)	tons (metric)	0.9072	tons (metric)	tons (short)	1.1023

## POWER MEASUREMENT

1 horsepower (hp)	= 746 watts = 7457 kilowatts (kw)
-------------------	-----------------------------------

1 horsepower (ps)	= 736 watts = 7355 kw
-------------------	-----------------------

To convert	Into	Multiply by	To convert	Into	Multiply by
horsepower (U.S.)	horsepower (met.)	1.0139	horsepower (met.)	horsepower (U.S.)	0.9863
horsepower (U.S.)	kilowatts	0.7457	kilowatts	horsepower (met.)	0.7355
kilowatts	horsepower (U.S.)	1.3405	horsepower (met.)	kilowatts	1.2596

## ABBREVIATIONS

Abbreviations as used throughout this catalog are interpreted as follows:

ABS	ABSORBER	C.A.S.	CLEANER AIR SYSTEM
ACC	ACCESSORY	CARB	CARBURETOR
ACCEL	ACCELERATOR	CATA	CATALYTIC
A/CLNR	AIR CLEANER	C/BAR	CROSS BAR
A/COND	AIR CONDITIONING	CBL	CABLE
ACTG	ACTUATING	C/BRD	CIRCUIT BOARD
ACTR	ACTUATOR	C.BRKR	CIRCUIT BREAKER
ADAPT	ADAPTER-ADAPTATION	CCW	COUNTERCLOCKWISE
ADJ	ADJUSTING-ADJUSTOR- ADJUSTABLE-ADJUSTMENT	C/E	COMMUTATOR END
A/INL	AIR INLET	CHAM	CHAMFRED
ALTR	ALTERNATOR	CHMBR	CHAMBER
ALUM	ALUMINUM	CHR	CHROMIUM
AMP	AMPERE	C.I.	CUBIC INCH
AMPL	AMPLIFIER	C/IRON	CAST IRON
AMTR	AMMETER	C/CASE	CRANKCASE
ANCH	ANCHOR	CK/CHFT	CRANKSHAFT
&	AND	CL	CLEANER
A/OUT	AIR OUTLET	CL/NUT	CLINCH NUT
APPROX	APPROXIMATE, APPROXIMATELY	C/LP	COURTESY LAMP
AR	AS REQUIRED	CLSR	CLOSURE
A/RATLR	ANTI RATTLER	C/LTR	CIGAR OR CIGARETTE LIGHTER
A REST	ARM REST	C/MBR	CROSSMEMBER
ARM	ARMATURE	COE	CAB OVER ENGINE
A/SQK	ANTISQUEAK	COL	COLUMN
ASSY	ASSEMBLY	COMB	COMBINATION
A/SUSP	AIR SUSPENSION	COMBN	COMBUSTION
A.T.C.	AUTOMATIC TEMPERATURE CONTROL	COMP	COMPLETE, COMPONENT
ATT	ATTACHING	COMPN	COMPRESSION
A/TRANS	AUTOMATIC TRANSMISSION	COMPR	COMPRESSOR
AUTO	AUTOMATIC	COMPT	COMPARTMENT
AUX	AUXILIARY	COMTR	COMMUTATOR
BAL	BALANCE	COND	CONDENSER
BATT	BATTERY	CONDT	CONDUIT
BBL	BARREL	CONDTG	CONDITIONING
B/BRK	BOOSTER BRAKE	CONN	CONNECTING-CONNECTION- CONNECTOR
B/CRK	BELL CRANK	CONT	CONTINUED-CONTROL
B.E.	BLACK ENAMEL	CONTD	CONTINUED
B/JNT	BALL JOINT	CONV	CONVERTER
BLK	BLOCK	COP	COPPER
BLT	BUILT	CO/SHFT	COUNTERSHAFT
BLWR	BLOWER	CO/WT	COUNTERWEIGHT
BMPR	BUMPER	CP	CANDLEPOWER
BOLT / RET	BOLT / RETAINER	C/PILLAR	CENTER PILLAR
BOLT / WA	BOLT / WASHER	CPLG	COUPLING
BR	BRASS	C/SHFT	CROSS SHAFT
BRD	BOARD	CSTG	CASTING
BRG	BEARING	CTR	CENTER
BRK	BRAKE	CU	CUBIC
BRKT	BRACKET	CUSH	CUSHION
BRKR	BREAKER	CUST	CUSTOM
BRT	BRIGHT	CV	CONVERTIBLE
BRZ	BRONZE	C/VAL	CONTROL VALVE
BSTR	BOOSTER	CVR	COVER
B/STUD	BALL STUD	C/WT	COUNTERWEIGHT
BTM	BOTTOM	CYL	CYLINDER
BTN	BUTTON	DBL	DOUBLE
B/UP	BACK UP	D/CVR	DUST COVER
BUSH	BUSHING	D/E	DRIVE END
CAD	CADIUM	DECAL	DECALCOMANIA
CAN	CANADA-CANADIAN	DEFL	DEFLECTOR
CAP	CAPACITY	DEFGR	DEFOGGER

ABBREVIATIONS (Cont'd)

DEFR .....	DEFROSTER	FLR .....	FLOOR
DEG (°) .....	DEGREE	F/MLDG .....	FINISH MOULDING
D/EXH .....	DUAL EXHAUST	FNDR .....	FENDER
DIA .....	DIAMETER	F/PAN .....	FLOOR PAN
DIAG .....	DIAGONAL	F/PUMP .....	FUEL PUMP
DIAPH .....	DIAPHRAGM	FREQ .....	FREQUENCY
DIFF .....	DIFFERENTIAL	FRT .....	FRONT
DIM .....	DIMENSION	FT .....	FOOT-FEET
DIR .....	DIRECT-DIRECTIONAL	F/TANK .....	FUEL TANK
DIR CL .....	DIRECT CLUTCH	FTG .....	FITTING
DIST .....	DISTRIBUTOR-DISTRIBUTING	F/TOP .....	FOLDING TOP
DIV .....	DIVISION-DIVISIONAL	GA .....	GAUGE-GAGE
D/LINK .....	DRAG LINK	GALV .....	GALVANIZED
D/LP .....	DOME LAMP	GARN .....	GARNISH
DMPR .....	DAMPER	G/BOX .....	GLOVE BOX
DOM .....	DOMESTIC	GEN .....	GENERATOR
D/PINION .....	DRIVE PINION	GLA .....	GLASS
DR .....	DOOR	G/MLDG .....	GARNISH-MOULDING
D/R SHAFT ..	DOUBLE ROCKER SHAFT	GND .....	GROUND
DRIV .....	DRIVE	GOV .....	GOVERNOR
DRVN .....	DRIVEN	GR .....	GEAR
D/SEAL .....	DUST SEAL	G/REG .....	GENERATOR-REGULATOR
D/SHLD .....	DUST SHIELD	GRL .....	GRILLE
D/SW .....	DIMMER SWITCH	GRMT .....	GROMMET
EBL .....	ELECTRIC HEATED BACK LIGHT	G/SHIFT .....	GEARSHIFT
ECC .....	ECCENTRIC	GSKT .....	GASKET
ECS .....	EVAPORATE EMISSION CONTROL SYSTEM	GVW .....	GROSS VEHICLE WEIGHT
E.F.I. (M) .....	ELECTRONIC FUEL INJECTION (METERING)	H/BRK .....	HAND BRAKE
E.G.R. .....	EXHAUST GAS RECIRCULATION	H/C .....	HIGH COMPRESSION
ELECT .....	ELECTRIC	HD .....	HEAD
ELIM .....	ELIMINATOR	H/D .....	HEAVY DUTY
EMR .....	ENGINE MAINTENANCE REMINDER	HDL .....	HANDLE
ENG .....	ENGINE	H/LIN .....	HEAD LINING
EQ .....	EQUIPMENT	HDLs .....	HEADLESS
ESC .....	ESCUTCHEON	HDR .....	HEADER
ETC .....	ET CETERA	HEMI .....	HEMISPHERICAL
EVAP .....	EVAPORATON-EVAPORATOR	HEX .....	HEXAGON
EX .....	EXTRA	HGE .....	HINGE
EXC .....	EXCLUDE	H/GUIDE .....	HYDRAGUIDE
EXH .....	EXHAUST	H/LP .....	HEADLAMP
EXP .....	EXPORT	H/PERF .....	HIGH PERFORMANCE
EXPN .....	EXPANSION	H/REST .....	HEAD REST
EXT .....	EXTENSION	HSG .....	HOUSING
EXTL .....	EXTERNAL	H/SNK .....	HEAT SINK
EXTR .....	EXTRUDED	H/SHLD .....	HEAT SHIELD
F .....	FAHRENHEIT	HT .....	HEATER
FACT .....	FACTORY	HVY .....	HEAVY
F/AIR .....	FRESH AIR	HYD .....	HYDRAULIC
FAST .....	FASTENING-FASTENER	I/ARM .....	IDLER ARM
F/AXLE .....	FRONT AXLE	I.D. ....	INSIDE DIAMETER
F/BRD .....	FLOOR BOARD	IDENT .....	IDENTIFICATION
F/CPLG .....	FLUID COUPLING	IGN .....	IGNITION
F/DR .....	FRONT DOOR	IN .....	INCH
F/FILT .....	FUEL FILTER	INCL .....	INCLUSIVE-INCLUDES
F/GA .....	FUEL GAGE	IND .....	INDUSTRIAL
F/IDLE .....	FAST IDLE	INDIC .....	INDICATOR
FIL HD .....	FILLISTER HEAD	INL .....	INLET
FIN .....	FINISH	INR .....	INNER
F/INJ .....	FUEL INJECTION	INS .....	INSULATING-INSULATION-INSULATOR
FLD .....	FIELD	INST .....	INSTRUMENT-INSTRUCTION
FLEX .....	FLEXIBLE	INT .....	INTAKE
FLG .....	FLANGE	INTER .....	INTERMITTENTLY-INTERMEDIATE
FL HD .....	FLAT HEAD	INTL .....	INTERNAL



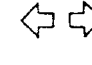








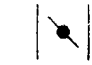


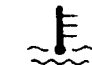









ABBREVIATIONS (Cont'd)

INTLK .....	INTERLOCK	N/PLT .....	NAME PLATE
I/PNL .....	INSTRUMENT PANEL	NUT / WA .....	NUT AND WASHER
I/PULLEY .....	IDLER PULLEY	O/CTR .....	OVER CENTER
I/S .....	INSIDE	O.D. ....	OUTSIDE DIAMETER
J/BLK .....	JUNCTION BLOCK	O/DRV .....	OVER DRIVE
JNT .....	JOINT	O/GA .....	OIL GAUGE
K/DN .....	KICKDOWN	OPER .....	OPERATING
KDX .....	KNOCK DOWN EXPORT	OPNG .....	OPENING
KILO .....	KILOMETER	OPP .....	OPPOSITE
KNU .....	KNUCKLE	OPT .....	OPTIONAL
K/UP .....	KICKUP	O/PUMP .....	OIL PUMP
LBS .....	POUNDS	ORN .....	ORNAMENT
L/C .....	LOW COMPRESSION	O/RUNN .....	OVERJNNING
LCF .....	LOW CAB FORWARD	O/S .....	OUTSIDE
L/COMPT .....	LUGGAGE COMPARTMENT	O/SIZE .....	OVERSIZE
LEA .....	LEATHER	OTR .....	OUTER
LED .....	LIGHT EMITTING DIODE	OUTL .....	OUTLET
LGH .....	LENGTH	OV .....	OVAL
LHD .....	LEFT HAND DRIVE	O/W .....	OPTIONAL WITH
L.H. THD .....	LEFT HAND THREAD	O/WRAP .....	OVERWRAP
LIC .....	LICENSE	OZ .....	OUNCE
LIN .....	LINING-LINER	P .....	PITCH
LK .....	LOCK	PACK .....	PACKING
LKG .....	LOCKING	PARK .....	PARKING
LK/NUT .....	LOCK NUT	PART .....	PARTIAL PARTITION
LK/WA .....	LOCK WASHER	PASS .....	PASSENGER
LOC .....	LOCATING	P/BRK .....	POWER BRAKE
LP .....	LAMP	P/BTN .....	PUSH BUTTON
LPG .....	LIQUID PROPANE GAS	PC/BRD .....	PRINTED CIRCUIT BOARD
L.S.H. ....	LOW SECTION HEIGHT	PED .....	PEDAL
LT .....	LEFT	PERF .....	PERFORMANCE
LUB .....	LUBRICANT-LUBRICATING	PIST .....	PISTON
LUGG .....	LUGGAGE	PIV .....	PIVOT
LVR .....	LEVER	PKG .....	PACKAGE
LWR .....	LOWER	PL .....	PLAIN
M / I .....	MARINE / INDUSTRIAL	P/LAMP .....	PARKING LAMP
M/ADJ .....	MANUAL ADJUSTING	PLR .....	PILLAR
MAN .....	MANUAL	PLT .....	PLATE-PLATED
MANF .....	MANIFOLD	PLUNG .....	PLUNGER
MAR .....	MARINE	PL/WA .....	PLAIN WASHER
MAX .....	MAXIMUM	P/MTR .....	POTENTIOMETER
MAX PERF ..	MAXIMUM PERFORMANCE	PNL .....	PANEL
M/BRK .....	MANUAL BRAKE	PNTD .....	PAINTED
MBR .....	MEMBER	POS .....	POSITIVE
M/CYL .....	MASTER CYLINDER	POLY .....	POLYESTER
MECH .....	MECHANISM	P/PNL .....	POCKET PANEL
MED .....	MEDIUM	PRESS .....	PRESSURE
MEDAL .....	MEDALLION	PRI .....	PRIMARY
MIL .....	MILITARY	PROD .....	PRODUCTION
MIN .....	MINIMUM	P/ROD .....	PUSH ROD
MDLG .....	MOULDING	PROP .....	PROPELLER
MOD .....	MODEL	PRPG .....	PROPORTIONING
M/MTRG .....	MAIN METERING	PSF .....	POUNDS PER SQUARE FOOT
M.P.H. ....	MILES PER HOUR	PSI .....	POUNDS PER SQUARE INCH
MT .....	MOUNT	P/STRG .....	POWER STEERING
MTG .....	MOUNTING	PT .....	POINT
MTR .....	MOTOR	PTO .....	POWER TAKE OFF
M/TRANS .....	MANUAL TRANSMISSION	PWR .....	POWER
MTRG .....	METERING	Q/PNL .....	QUARTER PANEL
NEG .....	NEGATIVE	QTR .....	QUARTER
NEUT .....	NEUTRAL	Q/WDO .....	QUARTER WINDOW
NI .....	NICKEL	R .....	RADIUS
NO, OR # ..	NUMBER	R/A .....	REAR AXLE
NOM .....	NOMINAL	R/AXLE .....	REAR AXLE
NO .....	NITROGEN OXIDE EMISSION CONTROL	RAD .....	RADIATOR

ABBREVIATIONS (Cont'd)

R/CONT .....	REMOTE CONTROL	S/SILL .....	SIDE SILL
RC/SHIFT ....	ROCKER SHAFT	S/SPD .....	SINGLE SPEED
RD .....	ROUND	STA .....	STATION-STATIONARY
R/DR .....	REAR DOOR	STAB .....	STABILIZER
REC .....	RECEIVER	STD .....	STANDARD
RECIR .....	RECIRCULATING	STGHT .....	STRAIGHT
RECT .....	RECTANGULAR	STL .....	STEEL
RECTR .....	RECTIFIER	STRG .....	STEERING
RED .....	REDUCTION	STRKR .....	STRIKER
REFL .....	REFLECTOR	STRNR .....	STRAINER
REG .....	REGULATOR	STRTR .....	STARTER
REINF .....	REINFORCEMENT	SUCT .....	SUCTION
REL .....	RELEASE	SUPT .....	SUPPORT
REM .....	REMOTE	SUSP .....	SUSPENSION
REQ .....	REQUIRED	SW .....	SWITCH
RES .....	RESISTOR	SYNCH .....	SYNCHRONIZER
RET .....	RETAINER	T .....	TEETH
RETG .....	RETAINING	TAP .....	TAPPING
REV .....	REVERSE	TBI .....	THROTTLE BODY INJECTION
REVERB .....	REVERBERATOR	T/BKL .....	TURN BUCKLE
R/FLR .....	REAR FLOOR	T/BLK .....	TERMINAL BLOCK
RHD .....	RIGHT HAND DRIVE	T/COMP .....	TRIMMED COMPLETE
RHEO .....	RHEOSTAT	T/CONT .....	THROTTLE CONTROL
R.H. THD .....	RIGHT HAND THREAD	T/CONV .....	TORQUE CONVERTER
R/L .....	RIGHT AND LEFT	TEMP .....	TEMPERATURE
RPM .....	REVOLUTIONS PER MINUTE	TERM .....	TERMINAL
R/QTR .....	REAR QUARTER	T/GA .....	TEMPERATURE GAUGE
RR .....	REAR	T-GATE .....	TAILGATE
RSVR .....	RESERVOIR	THD .....	THREAD
RT .....	RIGHT	THK .....	THICK
R/WDO .....	REAR WINDOW	THERMO .....	THERMOSTAT
S/ABS .....	SHOCK ABSORBER	3RD .....	THIRD
S/C .....	SALES CODE	THR .....	THRUST
S/COMPT .....	SIDE COMPARTMENT	THROT .....	THROTTLE
S/DEFL .....	STONE DEFLECTOR	T.I.C. ....	THERMOSTATIC IGNITION CONTROL
SECT .....	SECTION	T/LP .....	TAIL LAMP
SER .....	SERIAL-SERVICE	TORQ .....	TORQUE
S/EXH .....	SINGLE EXHAUST	TORS .....	TORSION
S-FIN .....	SEMI-FINISHED	TPI .....	THREADS PER INCH
S/GR .....	STEERING GEAR	T/PIPE .....	TAIL PIPE
SHFT .....	SHIFT	T/PLT .....	TAPPING PLATE
SHLD .....	SHIELD	T/PNL .....	TRIM PANEL
SIG .....	SIGNAL	TPR .....	TAPER
S/KNU .....	STEERING KNUCKLE	TRANS .....	TRANSMISSION
SLD .....	SLIDE	TRANSF .....	TRANSFER
SLDG .....	SLIDING	TRIMD .....	TRIMMED
S/LP .....	STOP LAMP	T/SIG .....	TURN SIGNAL
SLTD .....	SLOTTED	TRUN. ....	TRUNNION
SLV .....	SLEEVE	TST .....	TAIL STOP / TURNING
S/MBR .....	SIDE MARKER	T/STRIP .....	TACKING STRIP
SOC .....	SOCKET	TUB .....	TUBULAR
SOL .....	SOLENOID	U/BODY .....	UNDERBODY
SPD .....	SPEED	U/DRV .....	UNDERDRIVE
SPEEDO .....	SPEEDOMETER	U/JNT .....	UNIVERSAL JOINT
SPKR .....	SPEAKER	UNIV .....	UNIVERSAL
SPL .....	SPECIAL	UPR .....	UPPER
SPL EQUIP ...	SPECIAL EQUIPMENT	U/S .....	UNDERSIZE
SPRG .....	SPRING	U/SEAT .....	UNDERSEAT
S/PNL .....	SIDE PANEL	U/W .....	USED WITH
SP/SHLD .....	SPLASH SHIELD	V .....	VENTUR (QTY OF CARB BBL)
SQ .....	SQUARE	VAC .....	VACUUM
S/R SHAFT ..	SINGLE ROCKER SHAFT	VAL .....	VALVE
S/RAIL .....	SIDE RAIL	V/DMPR .....	VIBRATION DAMPER
S/RING .....	SNAP RING	VENT .....	VENTILATOR-VENTILATING
S/SHLD .....	SIDE SHIELD	VERT .....	VERTICAL

INTERNATIONAL SYMBOLS

 UPPER BEAM	 LOWER BEAM	 TURN SIGNAL	 HAZARD WARNING	 WINDSHIELD WIPER	 WINDSHIELD WASHER
 WINDSHIELD WIPER AND WASHER	 VENTILATING FAN	 PARKING LIGHTS	 FRONT HOOD	 REAR HOOD (TRUNK)	 CHOKE (COLD STARTING AID)
 HORN	 FUEL	 ENGINE COOLANT TEMPERATURE	 BATTERY CHARGING CONDITION	 ENGINE OIL	 SEAT BELT
 LIGHTER	 REAR WINDOW WIPER	 REAR WINDOW WASHER	 PARKING BRAKE	 BRAKE FAILURE	 WINDSCREEN DEMISTING AND DEFROSTING

METRIC SYSTEM

Figure art, specifications, and tightening references in this Service Manual are identified in the metric system and in the SAE system.

During any maintenance or repair procedures, it is important to salvage metric fasteners (nuts, bolts, etc.) for reassembly. If the fastener is not salvageable, a fastener of equivalent specification should be used.

**WARNING: USE OF AN INCORRECT FASTENER MAY RESULT IN COMPONENT DAMAGE OR PERSONAL INJURY.**

The metric system is based on quantities of one, ten, one hundred, one thousand, and one million.

Mega - (M) Million	Deci - (D) Tenth
Kilo - (K) Thousand	Centi - (C) Hundreth
Milli - (m) Thousandth	



# GROUP-2 FRONT SUSPENSION & DRIVE

## GROUP 2 - FRONT SUSPENSION & DRIVE

ILLUSTRATION TITLE

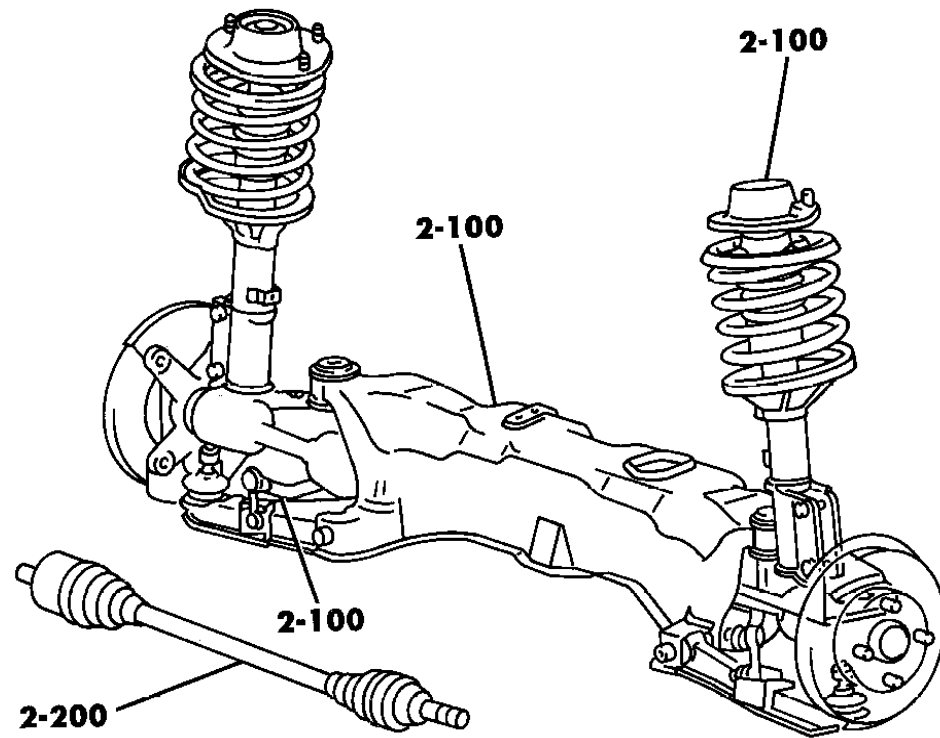
GROUP-FIG. NO.


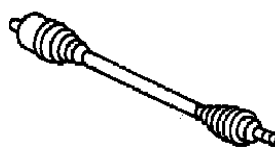
**FRONT, SUSPENSION**

SUSPENSION, FRONT LH-BODY ..... Fig. 2-110

**FRONT DRIVE SHAFTS**

SHAFT, FRONT DRIVE LH-BODY ..... Fig. 2-210

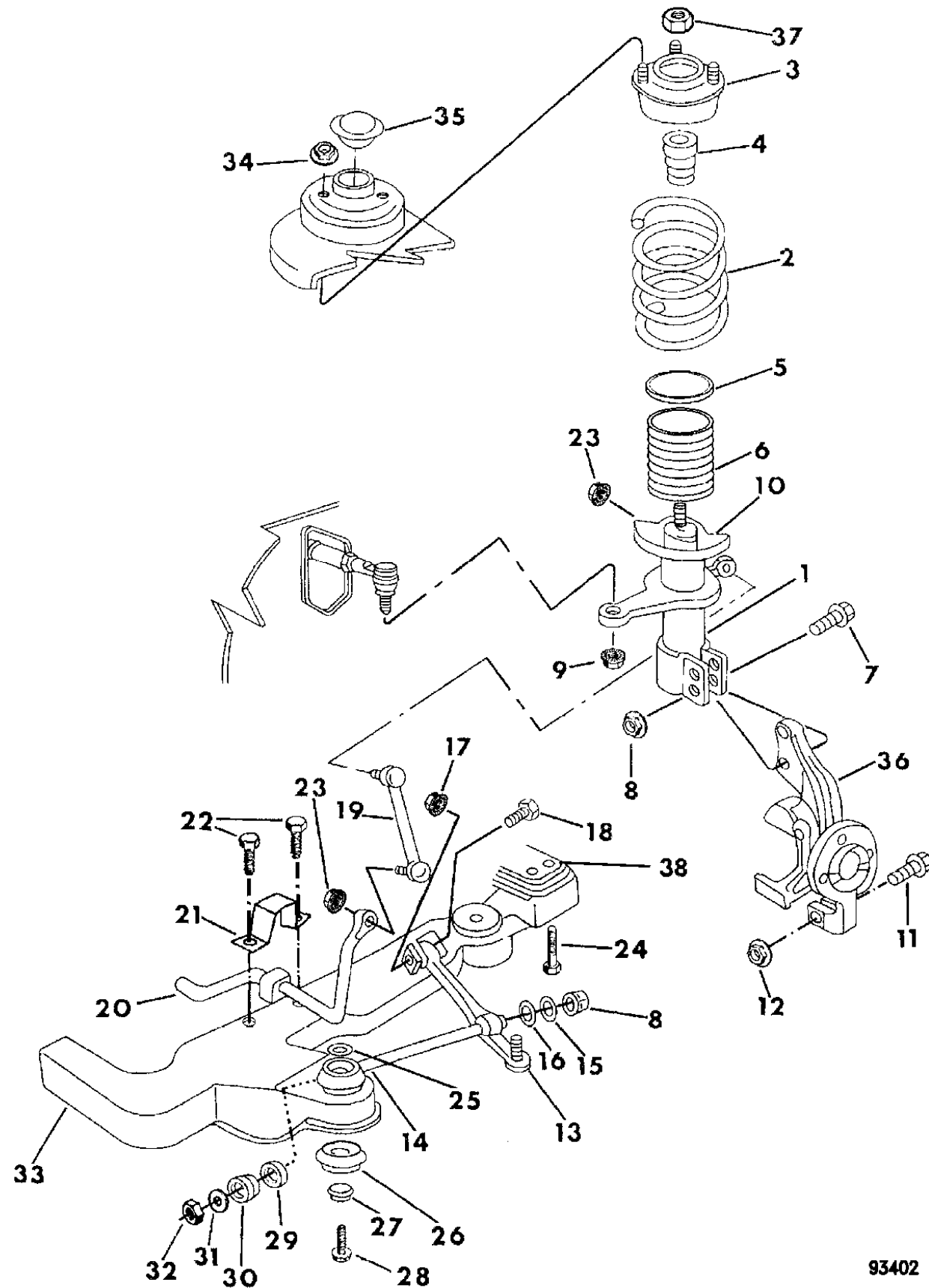


<p><b>2-100</b> FRONT SUSPENSION STRUT &amp; SPRING</p>  <p>STABILIZER TORSION BAR</p>	<p><b>2-200</b> FRONT AXLE DRIVE SHAFT</p> 		
---	--	--	--

# SUSPENSION, FRONT LH-BODY

Figure 2-110

02-110A



93402 110

ITEM	PART NUMBER	QTY	BODY	MODEL	DESCRIPTION
------	-------------	-----	------	-------	-------------

NOTE: Sales Code SDA = Standard Suspension, Used Standard on CH41, DH41, LP41.

NOTE: Sales Code SDC = Firm Feel Suspension, Used Standard on CP41, DP41, XP41, XS41. Optional on CH41, DH41, LP41, XP41 w/16" Whl. and Handling Pkg.

NOTE: Sales Code SDE = Special Sport Suspension, Used Optional on DP41, XS41, w/16" Wheels.

NOTE: Sales Code AGC = 16" Wheel & Handling Package. Standard on DP41, XS41. Optional on CH41, CP41, DH41, DP41, LP41, XP41.

NOTE: Sales Code AWT = 16" Performance Handling Package. Optional on DP41, XS41

1					STRUT, Damper Assy. (See Note)
	4616 022	1			Rt. w/Std. or Firm Feel Susp. (SDA) (SDC or AGC)
	4616 023	1			Lt. w/Std. or Firm Feel Susp. (SDA) or (SDC or AGC)
	4616 726	1			Rt. w/Special Sport or Handling Pkg., (SDE),(AGC) or (AWT)
	4616 727	1			Lt. w/Special Sport or Handling Pkg., (SDE),(AGC) or (AWT)
	6505 362AA	4			SCREW, Hex Flg Hd-Camber Adjustment M16x2.00x75.00
					(TSB-L02-08-7)
	6505 363AA	4			NUT, Hex Flg-Camber Adjustment M16x2.00 (TSB-L02-08-7)
2					SPRING, Front (See Note)
	4616 004	1			w/Std. Susp. (SDA) or (SDC) (Z54,74) or (ZAA,ZNA)
	4616 005	1			w/Std. Susp. (SDA) or (SDC) (Z55,75) or (ZAB,ZNB)
	4616 006	1			w/Std. Susp. (SDA) or (SDC) (Z56,76) or (ZAC,ZNC)
	4616 007	1			w/Std. Susp. (SDA) or (SDC) (Z57,77) or (ZAD,ZND)
	4616 008	1			w/Std. Susp. (SDA) or (SDC) (ZAE) w/Auto Stick199 5
	4616 008	2			w/Std Susp (SDA) or (SDC) (ZAE,ZNE) 1996
	4616 014	1			w/Special Sport Susp. (SDE) (Z54,74) or (ZEA,ZTA)
	4616 015	1			w/Special Sport Susp. (SDE) (Z55,75) or (ZEB,ZTB)
	4616 016	2			w/Special Sport Susp. (SDE) Heavy Duty (Z56,76 or ZEC,ZTC)
3	4582 758-9	1			MOUNT AND SEAT ASSY. ***
-					SEAT and BEARING ***
	4582 772	2			1993-94
	4582 772	2			1995, w/o Auto Stick
	4755 003	2			1995, w/Auto Stick
	4755 003	2			1996, w/All
4					BUMPER, Jounce (See Note)
	4582 770	2			w/Std. or Firm Feel Susp. (SDA or SDC)
	4582 771	2			W/Special Sport Susp. (SDE)
5					CLAMP, Dust Sheild
	4582 737	2			1993
	4695 462	2			1994-5-6
6					SHIELD, Dust
	4582 328	2			1993-94
	4582 328	2			1995, w/o Auto Stick
	4755 004	2			1995, w/Auto Stick
	4755 004	2			1996, w/All

**MODEL CODES:**

Chrysler = (CH41 = New Yorker, CP41 = LHS, DH41 = Intrepid(Canada), DP41 = Intrepid ES(Canada), LP41 = Concorde)  
 DODGE = (DH41 = Intrepid(USA), DP41 = Intrepid ES(USA))  
 EAGLE = (XP41 = Vision ESI, XS41 = Vision TSI)

**BODY STYLES:**

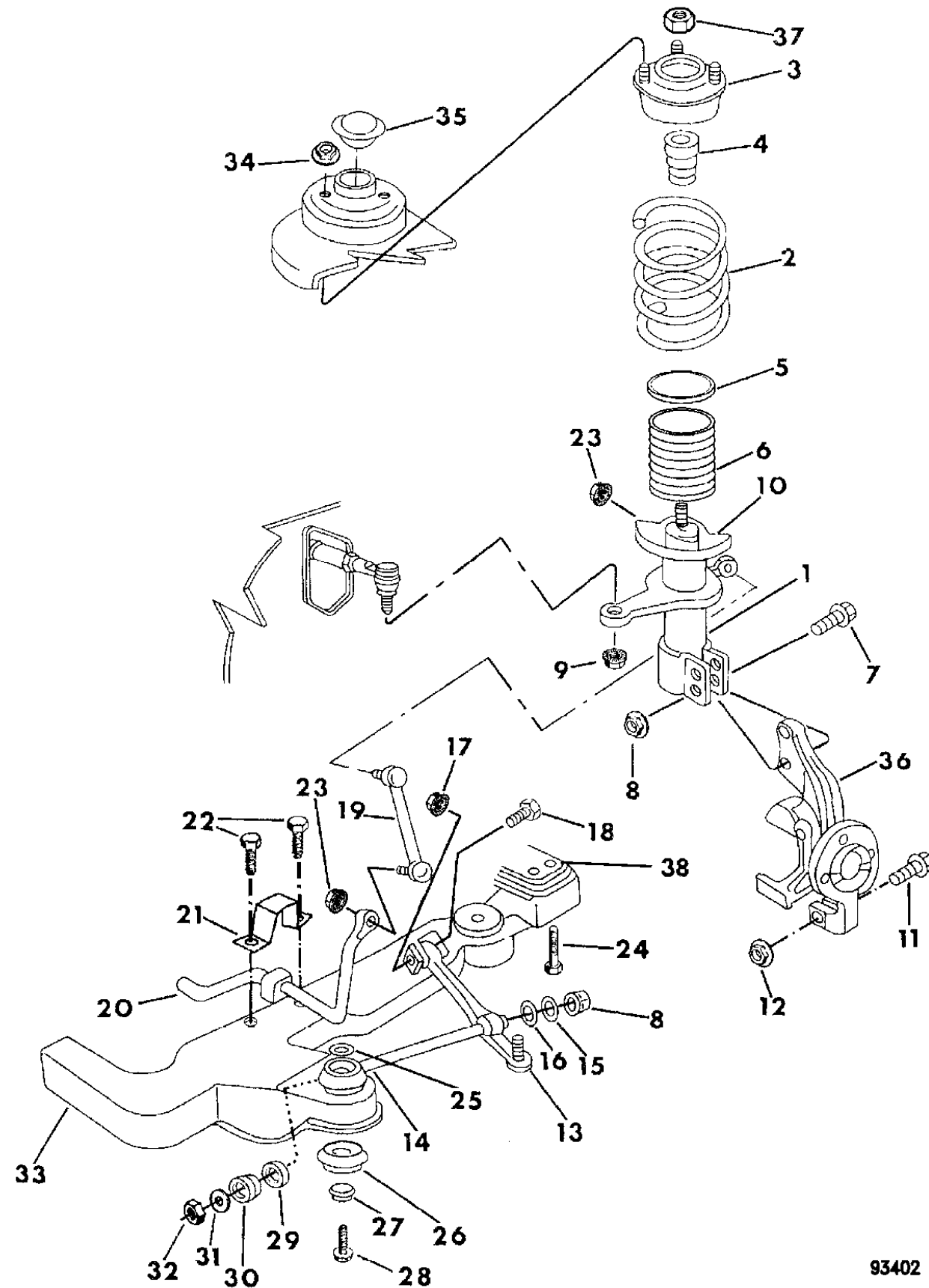
41 = 4 - Door Sedan ENGINE: 3.3L (EGB)  
 3.5L (EGE) 24 Valve

AR = Use as Required - = Non Illustrated Part P.A.R. = Paint as Required

SUSPENSION, FRONT LH-BODY

Figure 2-110

02-110A



93402 110

ITEM	PART NUMBER	QTY	BODY	MODEL	DESCRIPTION
7	6502 630	4			BOLT, Strut To Knuckle
8	6502 396	4			NUT, w/Washer, Strut To Knuckle 1993-4
	6503 457	4			1995-6
9	6502 544	2			NUT, Tie Rod To Strut (M10x1.25-6H)
10					ISOLATOR, Front Susp Strut Damper Lower Spring Seat
	4616 031	2			1993-94
	4616 031	2			1995, w/o Auto Stick
	4755 001	2			1995, w/Auto Stick
	4755 001	2			1996, w/All
	4755 002	2			Upper Front Susp. w/Auto Stick 1995
	4755 002	2			1996
11	6502 411	2			BOLT, Knuckle To Lower Control Arm
12	6502 526	2			NUT, Knuckle To Lower Control Arm
13	4616 402-3	1			ARM AND BUSHING, Lower Control Arm ***
		2			BOOT, Ball Joint (Service in Arm and Bushing)
	6503 457	4			NUT, Hex Flg Lk LCA Tension Strg M16x2.00
14	4616 371	2			STRUT, Tension
15	4616 365	2			RETAINER, Tension Strut
16	6502 420	2			WASHER, Tension Strut
17	6502 502	2			NUT, Arm To Cradle
18	6502 412	2			BOLT, Arm To Cradle
19	4616 041	2			LINK, Assy. Sway Bar 1993-4-5
	4764 091	2			1996
	2071 611	2			RETAINER, (Conical Washer) Link
20					SHAFT, Sway Eliminating (See Note)
	4616 324	1			w/All Susp. 1993-4-5
	4616 322	1			w/All Susp. 1996
	4616 344	1			CUSHION, Front Susp. Sway Eliminating 1993-4-5
	4695 838	1			w/All Susp. 1996
21	4582 312	2			CLAMP, Shaft Mounting
22		4			SCREW, M10x1.50x35 (Not Serv.)
23	6502 724	AR			NUT, w/Washer
24	6100 986	4			BOLT, Trans. C/Member to Cradle M10x1.50x90.00
	6100 945	2			M10x1.50x75.00
25	6100 844	8			NUT, Spring M14x2.00
	6502 724	8			M12x1.75
26					ISOLATOR, Cradle Mounting (See Note)
	4582 971	4			Upper, w/Std. Susp. (SDA or SDC) 1993
	4695 176	4			Upper, w/Std. Susp. (SDA or SDC) 1994
	4695 180	4		C-H	Upper, w/Std. Susp. (SDA) 1993-4-5
	4695 176	4		C-P	Upper, w/Std. Susp. (SDC) 1993-4-5
	4695 176	4		DLX	Upper, w/Std. Susp. (SDC) 1993-4-5

MODEL CODES:

Chrysler = (CH41 = New Yorker, CP41 = LHS, DH41 = Intrepid(Canada), DP41 = Intrepid ES(Canada), LP41 = Concorde)  
 DODGE = (DH41 = Intrepid(USA), DP41 = Intrepid ES(USA))  
 EAGLE = (XP41 = Vision ESI, XS41 = Vision TSI)

BODY STYLES:

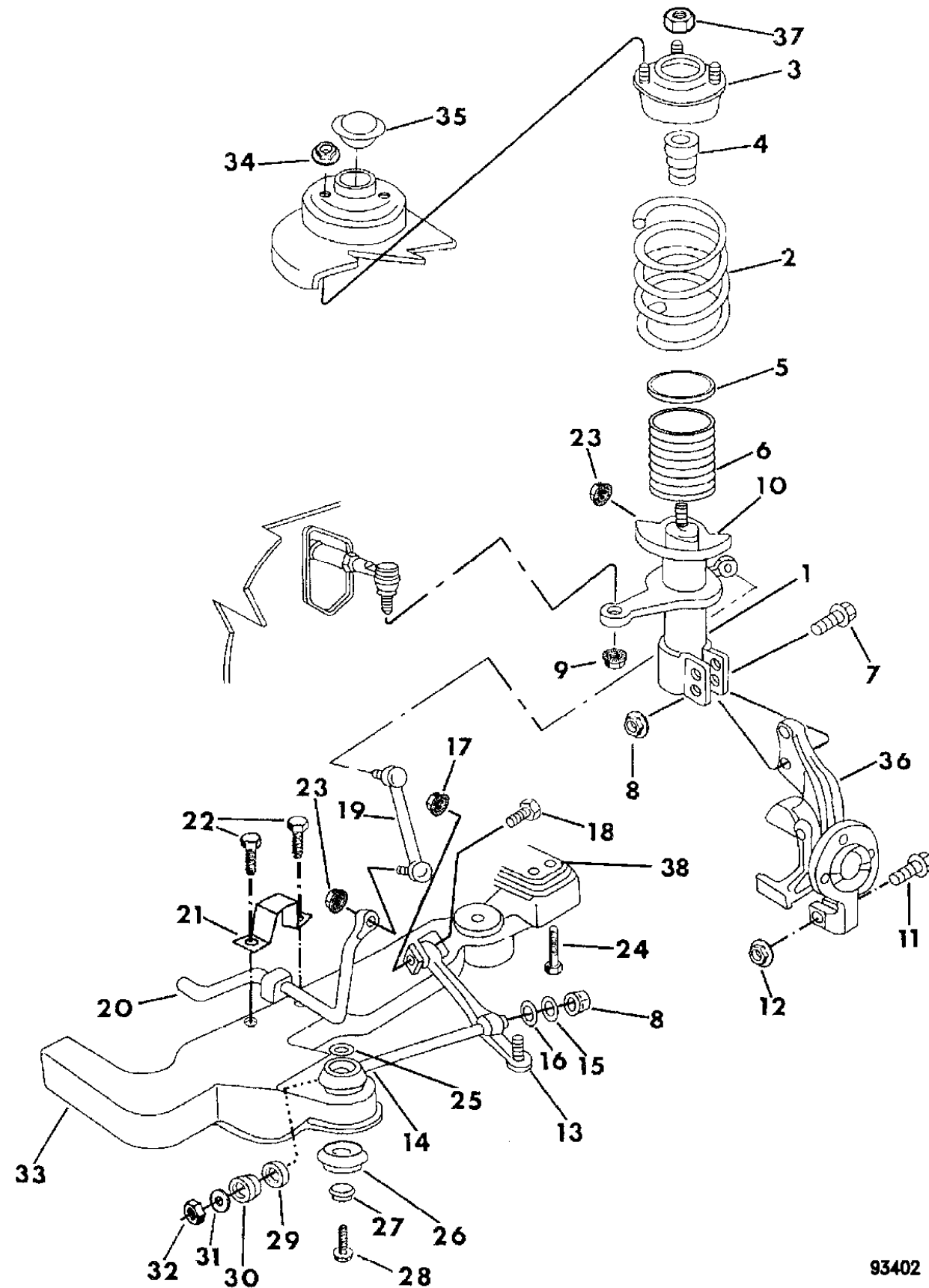
41 = 4 - Door Sedan ENGINE: 3.3L (EGB)  
 3.5L (EGE) 24 Valve

AR = Use as Required - = Non Illustrated Part P.A.R. = Paint as Required

SUSPENSION, FRONT LH-BODY

Figure 2-110

02-110A



93402 110

ITEM	PART NUMBER	QTY	BODY	MODEL	DESCRIPTION
	4761 003	4			Upper, w/Std. Susp. (SDC) 1995
	4695 759	4			Upper, w/Std. Susp. (SDC) w/Auto Stick 1995
	4695 759	4			Upper, w/Std. Susp. (SDA or SDC) 1996
	4695 180	1			Upper, w/Std. Susp. (SDA) 1995
	4582 973	4			Lower, w/Std. Susp. (SDA or SDC) 1993-4-5
	4695 755	4			Lower, w/Std. Susp. (SDC) w/Auto Stick 1995
	4695 755	4			Lower, w/Std. Susp. (SDA) or (SDC) 1996
	4582 972	4			Upper, w/Special Sport Susp. (SDE) 1993-4-5
	4695 761	4			Upper, w/Special Sport Susp. (SDE) w/Auto Stick 1995
	4695 761	4			Upper, w/Special Sport Susp. (SDE) 1996
	4582 974	4			Lower, w/Special Sport Susp. (SDE) 1993-4-5
	4695 762	4			Lower, w/Special Sport Susp. (SDE) w/Auto Stick 1995
	4695 762	4			Lower, w/Special Sport Susp. (SDE) 1996
27	4616 237	4			REINFORCEMENT, Cradle Mounting
28	6502 812	4			SCREW, Cradle To Body M14x2.00x105.00
	4624 476-7	1			REINFORCEMENT ASSEMBLY, (Taping Plate-M14x2) Screw, Cradle to Body ***
29	4616 383	2			BUSHING, Strut To Cradle Rear
30	4616 380	2			BUSHING, Strut To Cradle Front w/Std. Susp. (SDA,SDC)
	4616 382	2			w/Special Sport Susp. (SDE)
31	6502 409	2			WASHER
32	6502 396	2			NUT, 1993-4
	6503 457	2			1995-6
33	4616 310	1			CRADLE, Assy.(w/Trans Crossmember -4616336) 1993-4-5 ***
	4584 498	1			(w/Trans Crossmember -4616336) 1996
34	6101 446	6			NUT, w/Washer Strut To Tower
35	4616 748	2			CAP, Front Strut Mount
36	4582 756	1			Stamped 4582754 1993-1995
	4582 757	1			Stamped 4582755 1993-1995
	4755 058	1			Stamped 4755060 1996
	4755 059	1			Stamped 4755061 1996
37	6502 525	2			NUT, Hex Head, Strut Damper Rod
38	4616 336	1			CROSSMEMBER, Rear Trans Mount
	6502 856	4			BOLT, Crossmember to Body M12x1.75x40.00

MODEL CODES:

Chrysler = (CH41 = New Yorker, CP41 = LHS, DH41 = Intrepid(Canada), DP41 = Intrepid ES(Canada), LP41 = Concorde)  
 DODGE = (DH41 = Intrepid(USA), DP41 = Intrepid ES(USA))  
 EAGLE = (XP41 = Vision ESI, XS41 = Vision TSI)

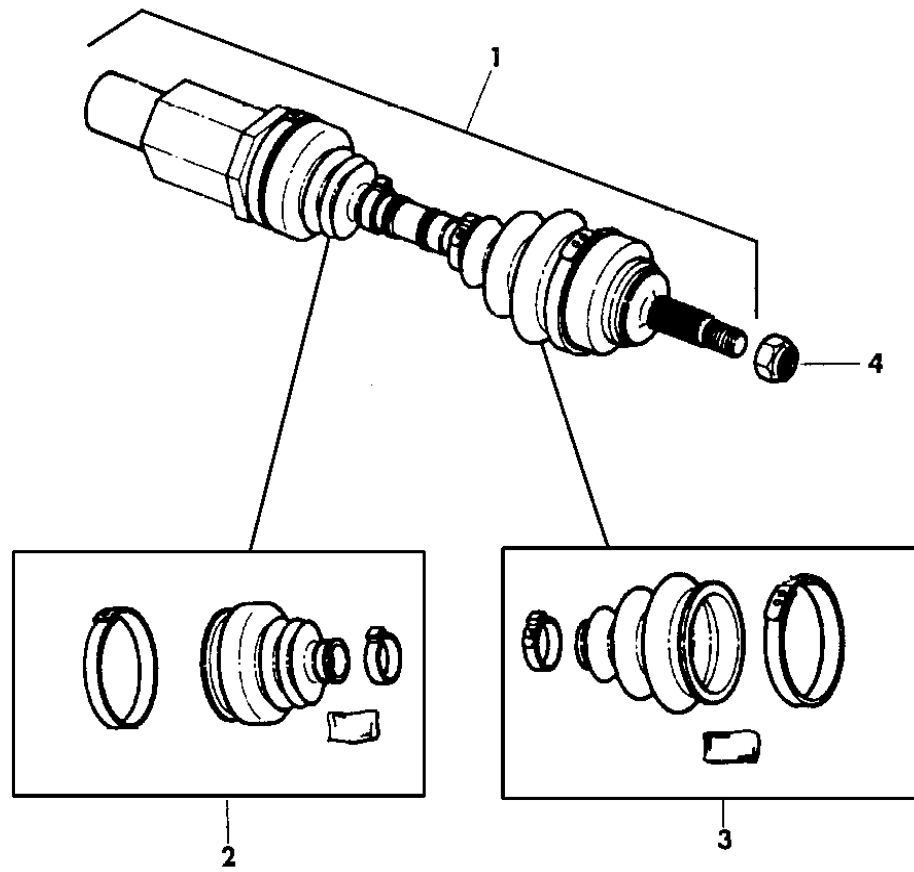
BODY STYLES:

41 = 4 - Door Sedan ENGINE: 3.3L (EGB)  
 3.5L (EGE) 24 Valve

AR = Use as Required - = Non Illustrated Part P.A.R. = Paint as Required

SHAFT, FRONT DRIVE LH-BODY  
Figure 2-210

02-210



ITEM	PART NUMBER	QTY	BODY	MODEL	DESCRIPTION
1					SHAFT ASSEMBLY, Front Drive
	4728 812	1			Rt. w/o ABS 1993-4-5
	4798 096	1			Rt. w/o ABS 1996
	4798 099	1			Rt. w/o ABS w/Transitory Level Emission Vehicle (NBT) 1996
	4728 813	1			Lt. w/o ABS 1993-4-5
	4798 095	1			Lt. w/o ABS 1996
	4798 095	1			Lt. w/o ABS w/Transitory Level Emission Vehicle (NBT) 1996
	4728 814	1			Rt. w/ABS 1993-4-5
	4798 776	1			Rt. w/ABS 1996
	4798 777	1			Rt. w/ABS w/Transitory Level Emission Vehicle (NBT) 1996
	4728 815	1			Lt. w/ABS 1993-4-5
	4798 773	1			Lt. w/ABS 1996
	4798 773	1			Lt. w/ABS w/Transitory Level Emission Vehicle (NBT) 1996
2					BOOT PACKAGE, Inner C.V.
	4728 262	1			Rt.
	4728 261	1			Lt.
	4778 136	1			ADAPTER, Inner CV Boot (Vendor #26028250)
3					BOOT PACKAGE, Outer C.V.
	4641 038	2			1993
	4762 701	2			1994-5-6
					JOINT ASSEMBLY, Outer
	4798 998	2			w/o ABS 1993-4-5
	4798 999	2			w/ABS, w/or w/o Traction Control 1993-4-5
		1			(Service in Shaft Assembly for 1996)
4					NUT, (34mm) Driveshaft Retaining
	6502 541	2			
	6502 363	2			O-RING, Halfshaft Inner CV Joint Sealing I.D. 25.32 C/S 2.69

**MODEL CODES:**  
 Chrysler = (CH41 = New Yorker, CP41 = LHS, DH41 = Intrepid(Canada), DP41 = Intrepid ES(Canada), LP41 = Concorde)  
 DODGE = (DH41 = Intrepid(USA), DP41 = Intrepid ES(USA))  
 EAGLE = (XP41 = Vision ESI, XS41 = Vision TSI)

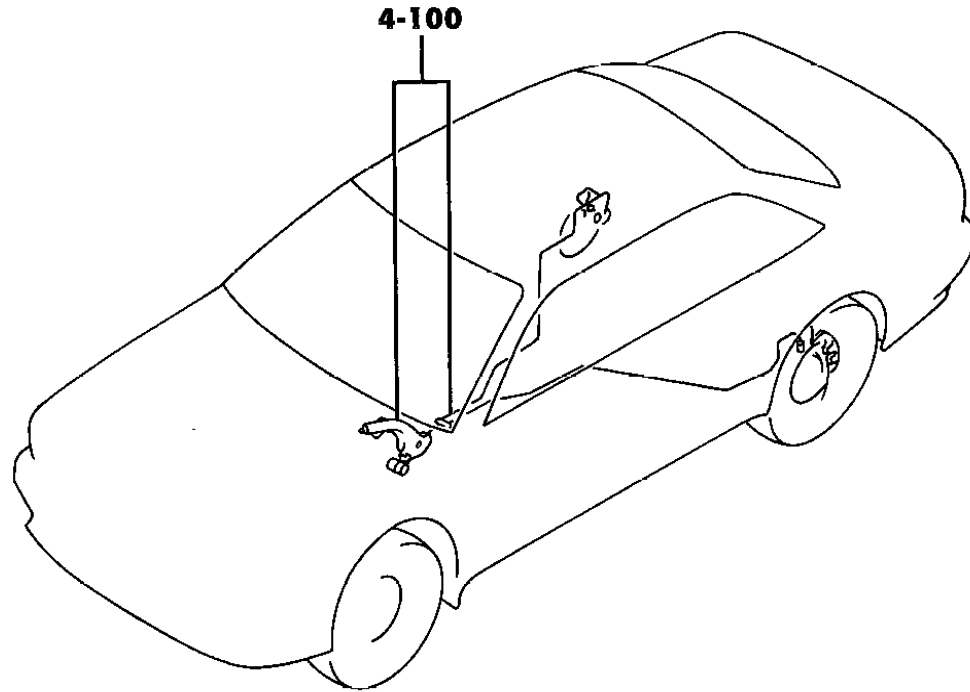
**BODY STYLES:**  
 41 = 4 - Door Sedan ENGINE: 3.3L (EGB)  
 3.5L (EGE) 24 Valve

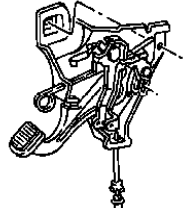
93402 210

AR = Use as Required - = Non Illustrated Part P.A.R. = Paint as Required

# GROUP-4 PARKING BRAKE

ILLUSTRATION TITLE  
LEVER ASSEMBLY AND CABLES PARKING BRAKE ..... GROUP-FIG. NO.  
Fig. 4-110

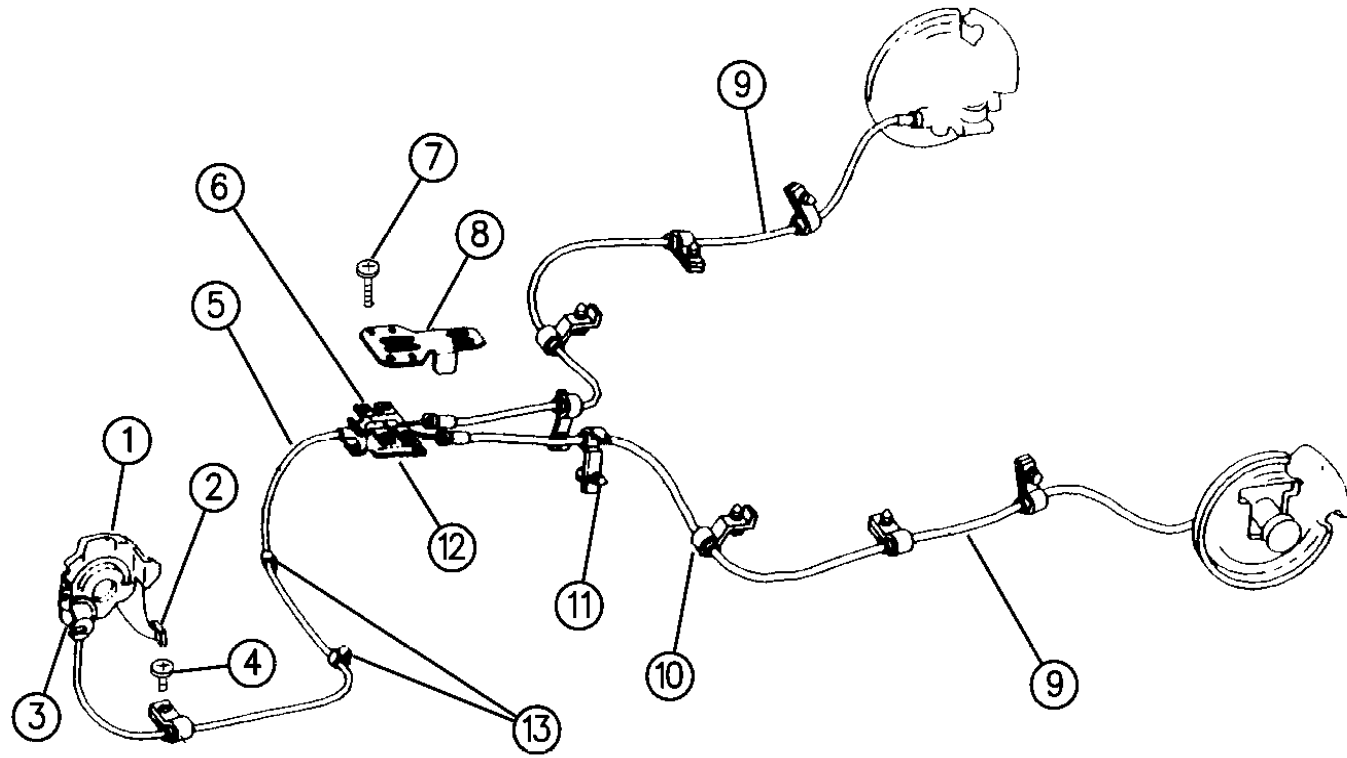


<p><b>4-100</b> PARKING BRAKE</p> 			
---	--	--	--

LEVER ASSEMBLY AND CABLES PARKING BRAKE

Figure 4-110

4-110



ITEM	PART NUMBER	QTY	BODY	MODEL	DESCRIPTION
1	4695 211	1			LEVER ASSEMBLY, Parking Brake Complete (w/Cable) 1993 ***
	4764 315	1			1994-5
	4695 919	1			w/Cable 1996
	4695 946	1			w/o Cable 1994-5
	4695 921	1			w/o Cable 1996
-	6101 608	3			SCREW, Lever Assembly Mounting M8x1.25x30.00 1993-94
-	6101 795	3			M8x1.25x30.00 1995
2	4582 270	1			PAD, Parking Brake Assembly
3	2201 467	2			RETAINER, Front Parking Brake Cable to Lever
4		1			SCREW, Clip Front Brake Cable (Not Serviced) Up to 8-24-92
	6033 854	AR			(Hex Flg Hd-Serrations) After 8-24-92
5	4582 474	1			CABLE ASSEMBLY, Parking Brake Front (w/o Lever) 1993 ***
	4695 468	1			1994-5-6
-	2201 467	1			CLIP, Front Cable to Reaction Bracket
6	4616 743	1			EQUALIZER and CLIP ASSEMBLY, Cable Attaching Up to 3-5-93 ***
	4695 379	1			After 3-5-93
7		2			SCREW, M6x1x15 (Not Serviced)
8	4582 486	1			COVER, Reaction Bracket and Equalizer
9					CABLE ASSEMBLY, Parking Brake Rear ***
	4582 472-3	1			w/Rear Drum Brakes 1993
	4695 532-3	1			w/Rear Drum Brakes 1994-5-6
	4582 266-7	1			w/Rear Disc Brakes
10		8			CLIP, Rear Parking Brake Cables (Service in Item 9)
11		8			SCREW, Rear Parking Brake Cable Clip (Not Serviced)
12	4582 478	1			BRACKET, Cable Reaction
-	6501 483	2			NUT and Washer, Reaction Bracket Attatching (M8X1.25) ***
-		2			SCREW, Reaction Bracket Attatching (Not Serviced)
13	4582 475	2			CLIP, Front Parking Brake Cable
	2201 467	1			CLIP, P/Brake Cable to Lever Assy.
	4221 463	1			SWITCH, Park Brake
	0154 619	1			SCREW, Tap Hex Flg Hd. - Park Brake Switch .190-16x1.00

MODEL CODES:

Chrysler = (CH41 = New Yorker, CP41 = LHS, DH41 = Intrepid(Canada), DP41 = Intrepid ES(Canada), LP41 = Concorde)  
 DODGE = (DH41 = Intrepid(USA), DP41 = Intrepid ES(USA))  
 EAGLE = (XP41 = Vision ESI, XS41 = Vision TSI)

BODY STYLES:

41 = 4 - Door Sedan ENGINE: 3.3L (EGB)  
 3.5L (EGE) 24 Valve

93404 110

AR = Use as Required - = Non Illustrated Part P.A.R. = Paint as Required

# GROUP-5 SERVICE BRAKES

## GROUP 5 - BRAKES, SERVICE

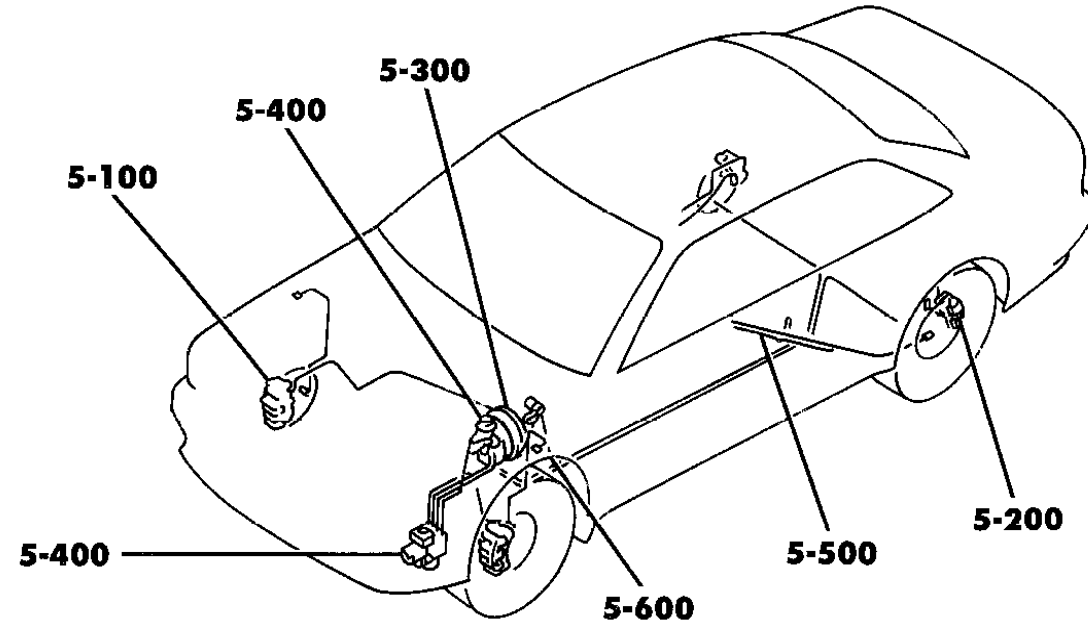


ILLUSTRATION TITLE

GROUP-FIG. NO.

**BRAKES--FRONT**

BRAKES, FRONT ..... Fig. 5-110

**BRAKES--REAR**

BRAKES, REAR W/REAR DRUM ..... Fig. 5-205

BRAKES, REAR W/REAR DISC ..... Fig. 5-210

**BOOSTER, POWER BRAKE**

BOOSTER, POWER BRAKE ..... Fig. 5-310

**MASTER CYLINDER, BRAKE**

HYDRAULIC CONTROL UNIT ANTI-LOCK BRAKES ..... Fig. 5-410

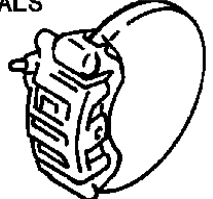
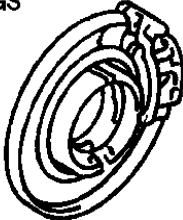
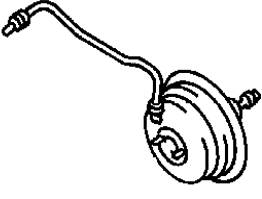
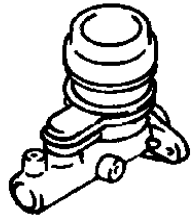
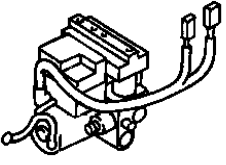
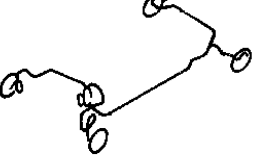


MASTER CYLINDER, BRAKE (PROPORTIONING VALVE-IN LINE) ..... Fig. 5-420

**LINES AND HOSES--BRAKE**

LINES AND HOSES, BRAKE (PROPORTIONING, VALVE) ..... Fig. 5-510

**PEDAL--BRAKE**

PEDAL, BRAKE ..... Fig. 5-610

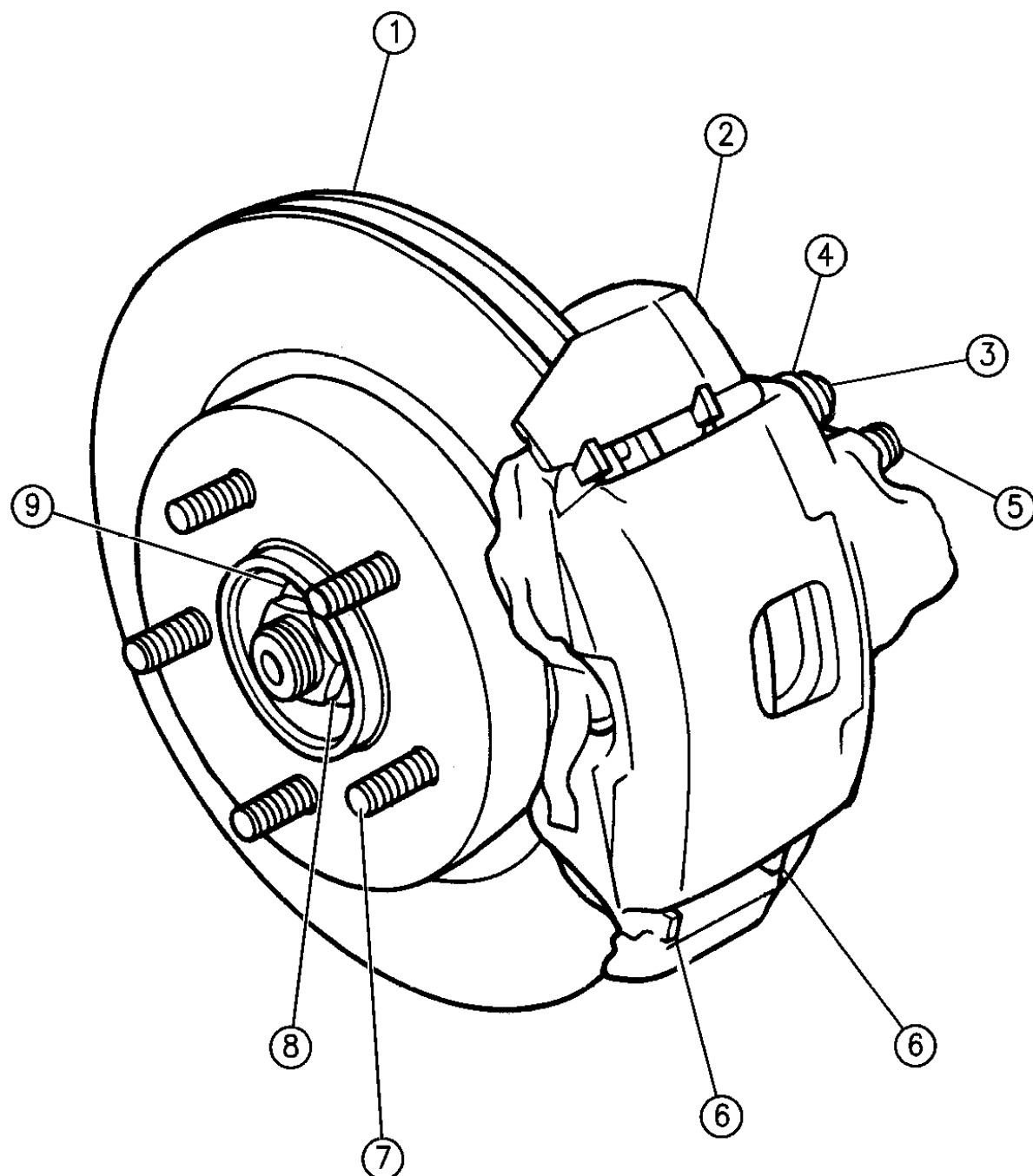
<p><b>5-100</b> FRT. WHEEL BRAKES BEARINGS SEALS</p> 	<p><b>5-200</b> REAR WHEEL BRAKES BEARINGS SEALS</p> 	<p><b>5-300</b> POWER BRK. BOOSTER</p> 	<p><b>5-400</b> BRAKE MASTER CYL.</p> 
<p><b>5-400</b> HYD. CONTROL</p> 	<p><b>5-500</b> BRAKE LINE</p> 	<p><b>5-500</b> ANTI-SKID BRAKE</p> 	<p><b>5-600</b> BRAKE PEDAL SWITCH, STOP LAMP</p> 



**BRAKES, FRONT**  
**Figure 5-110**

5-110

ITEM	PART NUMBER	QTY	BODY	MODEL	DESCRIPTION
1	4755 028	2			ROTOR, Front Brake
2	4728 114-5	1			CALIPER ASSEMBLY, Front Brake ***
-	4728 121	2			PISTON, BOOT & SEAL PACKAGE, Front Caliper 1993-4
-	4713 874	2			1995-6
-	4364 781	2			BOOT & SEAL PACKAGE ***
3	6502 527	4			BOLT, Front Caliper Mounting (M8-1.25x69mm)
4	4383 471	4			BUSHING, Caliper Mounting
-	4423 573	4			SLEEVE, Caliper Mounting
5	3780 788	2			SCREW, Bleeder
-	4238 717	2			CAP, Bleeder Screw
6	4728 124	1			SHOE, LINING & CLIP PACKAGE, Front Brake 1993-4 ***
-	4773 264	1			1995
-	4882 106	1			1996
7	6503 007	10			BOLT, Front Wheel Stud
8	6502 541	2			NUT, Hub & Bearing to Spindle (M27x2.00)
-	4616 211	2			LOCK, Nut
-	6500 336	2			COTTER PIN, Hub & Bearing to Spindle M5x36.00 1993-4 ***
-	6504 254	2			M5x32.00 1995-6
9	6502 884	2			WASHER, Hub & Bearing to Spindle (Flat)
-	4728 867	2			HUB & BEARING ASSEMBLY PACKAGE, Front Wheel (Inc.#8) ***
-	6502 410	6			BOLT, Hub & Bearing to Knuckle (M12x1.75-53)
-					SENSOR ASSEMBLY, ABS (w/Bracket-Metal Sleeve) w/or w/o Traction Control 1993-95 ***
-	4695 980	1			Rt
-	4695 981	1			Lt
-	4695 738-9	1			w/ABS and Traction Control, w/Auto Stick 1995 ***
-	4695 980-1	1			w/ABS, w/or w/o Traction Control 1996
-	6035 102	2			SCREW, F/Whl Sensor L Bracket Att .250-14x.750
-	6101 682	2			SCREW, ABS Sensor (M6-1.0x20mm)
-	6503 302	2			SCREW, ABS Sensor Att (M7x1.00x11.00)
-	6501 350	2			SCREW, ABS Sensor Bracket to Strut (M6x1.0x11.0) 1993
-	6501 682	2			(M6x1.00x12.00) Up to 9-20-94
-	6504 055	2			(M6x1.00x16.00) After 9-20-94



93405 110

**MODEL CODES:** \_\_\_\_\_  
 Chrysler = (CH41 = New Yorker, CP41 = LHS, DH41 = Intrepid(Canada), DP41 = Intrepid ES(Canada), LP41 = Concorde)  
 DODGE = (DH41 = Intrepid(USA), DP41 = Intrepid ES(USA))  
 EAGLE = (XP41 = Vision ESI, XS41 = Vision TSI)

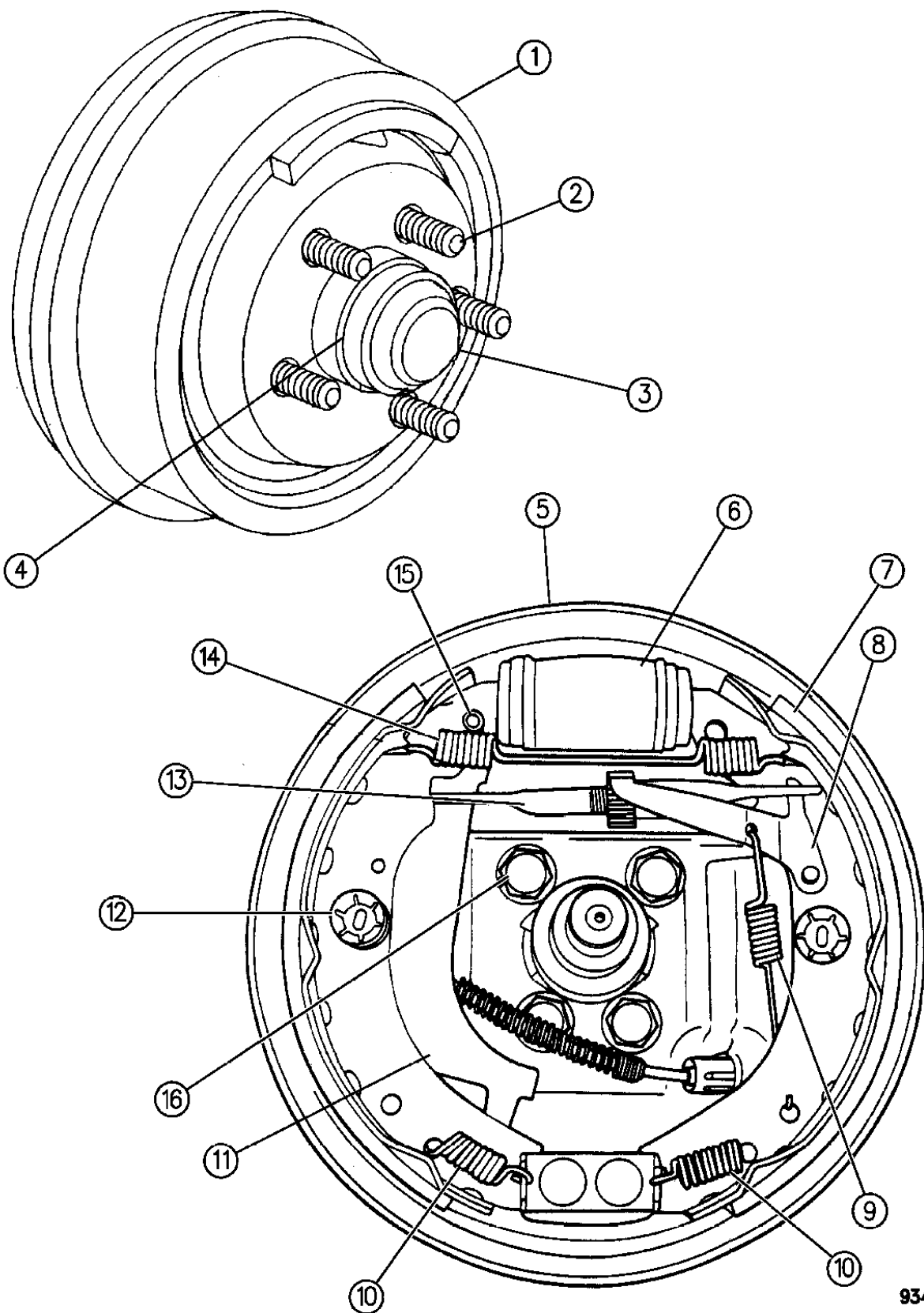
**BODY STYLES:** \_\_\_\_\_  
 41 = 4 - Door Sedan ENGINE: 3.3L (EGB)  
 3.5L (EGE) 24 Valve

AR = Use as Required - = Non Illustrated Part P.A.R. = Paint as Required

# BRAKES, REAR W/REAR DRUM

## Figure 5-205

5-205



93405 205

ITEM	PART NUMBER	QTY	BODY	MODEL	DESCRIPTION
1					DRUM, Rear Brake
	4601 798	2			w/o Aluminum Wheels
	4616 236	2			w/Aluminum Wheels (Painted)
2	6503 007	10			BOLT, Rear Wheel Stud
3	4616 560	2			CAP, Rear Wheel Bearing
4	4582 219	2			HUB & BEARING ASSEMBLY, Rear Wheel w/Drum Brakes ***
-	6502 884	2			WASHER, Hub & Bearing Assembly to Spindle
-	6502 716	2			NUT, Hub & Bearing Assembly to Spindle
-	4616 211	2			LOCK, Hub & Bearing to Spindle Nut
-	6500 336	2			COTTER PIN, Hub & Bearing to Spindle Nut Lock M5x36.00 1993-4 ***
-	6504 254	2			M5x32.00 1995-6
5	4728 762-3	1			SUPPORT, Rear Wheel Brake
-	4238 853	2			SEAL, Brake Support to Spindle
6	4728 859	2			CYLINDER, Rear Wheel Brake (3/4")
-	4423 232	4			SCREW, Cylinder Mounting
-	4423 230	2			SCREW, Bleeder
-	4423 231	2			CAP, Bleeder Screw
7	4728 870	1			SHOE & LINING PACKAGE, Rear Drum Brake (Inc. P/Brk. Lever) ***
8	4423 220-1	1			LEVER, Rear Wheel Brake Adjuster
9	4423 211	2			SPRING, Brake Adjuster Lever
10	4423 226	4			SPRING, Rear Brake Shoe Lower
11					LEVER, Parking Brake Cable to Brake Shoe (Serviced in Item #7)
12	4423 228	4			RETAINER, Rear Wheel Brake Shoe Hold Down
-	4423 229	4			PIN, Rear Wheel Brake Shoe Hold Down
13					ADJUSTER, Rear Wheel Brake
	4728 860-1	1			Screw
	4423 224-5	1			Nut
	4423 200	2			Socket
-	4423 235	2			PLUG, Brake Adjuster
14	4423 227	2			SPRING, Rear Wheel Brake Shoe to Shoe (Upper)
15					PIN, Parking Brake Lever to Shoe (Serviced in Item #7)
16	6502 146	8			BOLT, Support Plate and Spindle Mounting
	5011 281AA	1			SPRING PACKAGE, Drum Brake (Consist: of Item 9,10,12,14) ***

### MODEL CODES:

Chrysler = (CH41 = New Yorker, CP41 = LHS, DH41 = Intrepid(Canada), DP41 = Intrepid ES(Canada), LP41 = Concorde)  
 DODGE = (DH41 = Intrepid(USA), DP41 = Intrepid ES(USA))  
 EAGLE = (XP41 = Vision ESI, XS41 = Vision TSI)

### BODY STYLES:

41 = 4 - Door Sedan ENGINE: 3.3L (EGB)  
 3.5L (EGE) 24 Valve

AR = Use as Required - = Non Illustrated Part P.A.R. = Paint as Required

BRAKES, REAR W/REAR DISC

Figure 5-210

5-210A

ITEM	PART NUMBER	QTY	BODY	MODEL	DESCRIPTION
1	4728 128-9	1			CALIPER ASSEMBLY, Partial ***
2	3780 788	2			SCREW, Brake Bleeder
3	4238 717	2			CAP, Bleeder Screw
4	4238 853	2			SEAL, Rear Wheel Brake Support
5		2			LINK, Parking Brake (Serv. in Item #15)
6		2			PIN, Parking Brake Lever to Link (Serv. in Item #15)
7	4383 471	4			BUSHING, Caliper Mounting
8	4423 573	4			SLEEVE, Caliper Mounting
9	4728 146	1			SHOE & LINING PACKAGE, Rear Disc Brake 1993-4 ***
	4773 265	1			1995-6
10	4383 879	2			BOOT, Rear Caliper Piston (Also Serv. in Package)
-	4728 132	2			BOOT & SEAL PACKAGE ***
11	6502 527	4			BOLT, Caliper Mounting (M8-1.25x69mm)
12					SPRING, Rear Parking Brake
	4383 541	2			Upper (Yellow)
	4383 542	2			Lower (Blue)
13	4383 543	4			CLIP, Parking Brake Shoe Hold Down
14	4582 220	2			HUB & BEARING w/TONE WHEEL ASSEMBLY ***
15					LEVER & LINK ASSEMBLY, Rear Disc Parking Brake ***
	4728 112	1			Rt 1993-4-5
	4882 208	1			Rt 1996
	4728 113	1			Lt 1993-4-5
	4882 209	1			Lt 1996
16	6502 884	2			WASHER, Rear Hub & Bearing Assembly
17	6502 716	2			NUT, Hub & Bearing to Spindle
18	6500 336	2			COTTER PIN, Hub & Bearing to Spindle ***
19	4616 211	2			LOCK, Nut Hub & Bearing to Spindle
20	4616 560	2			CAP, Rear Bearing (Dust)
21	4582 225	2			ROTOR, Rear Disc Brake
22	6101 666	8			BOLT, Rear Brake Adapter to Spindle
23	4728 110-1	2			SHIELD, Rear Disc Brake (Dust)
24	4723 981	8			SCREW, Rear Brake Dust Shield to Adapter
25	4238 733	4			PIN, Rear Parking Brake Shoe Hold Down
26	4238 721	2			PLUG, Rear Wheel Parking Brake Adjuster
27	4383 878	2			PISTON, Rear Brake Caliper (Also Serv. in Package)
-	4728 133	2			PISTON, BOOT & SEAL PACKAGE
28	4383 880	2			SEAL, Rear Caliper Piston
29	6503 007	10			BOLT, Rear Wheel Stud
30					ADAPTER, Rear Wheel Disc Brake
	4728 098-9	1			w/o ABS 1993-4
	4797 308-9	1			w/o ABS 1995
	4728 096-7	1			w/ABS 1993-4

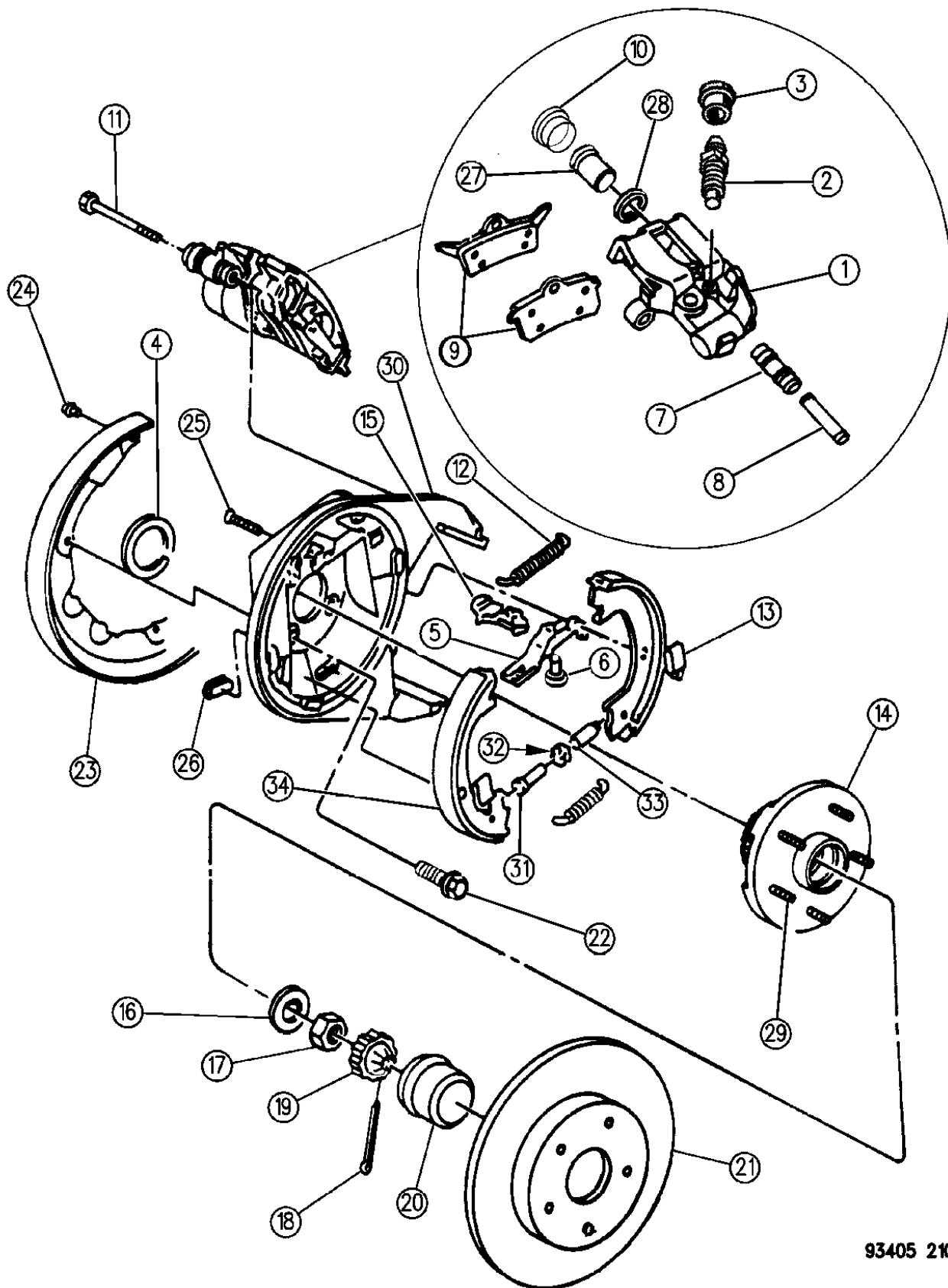
MODEL CODES:

Chrysler = (CH41 = New Yorker, CP41 = LHS, DH41 = Intrepid(Canada), DP41 = Intrepid ES(Canada), LP41 = Concorde)  
 DODGE = (DH41 = Intrepid(USA), DP41 = Intrepid ES(USA))  
 EAGLE = (XP41 = Vision ESI, XS41 = Vision TSI)

BODY STYLES:

41 = 4 - Door Sedan ENGINE: 3.3L (EGB)  
 3.5L (EGE) 24 Valve

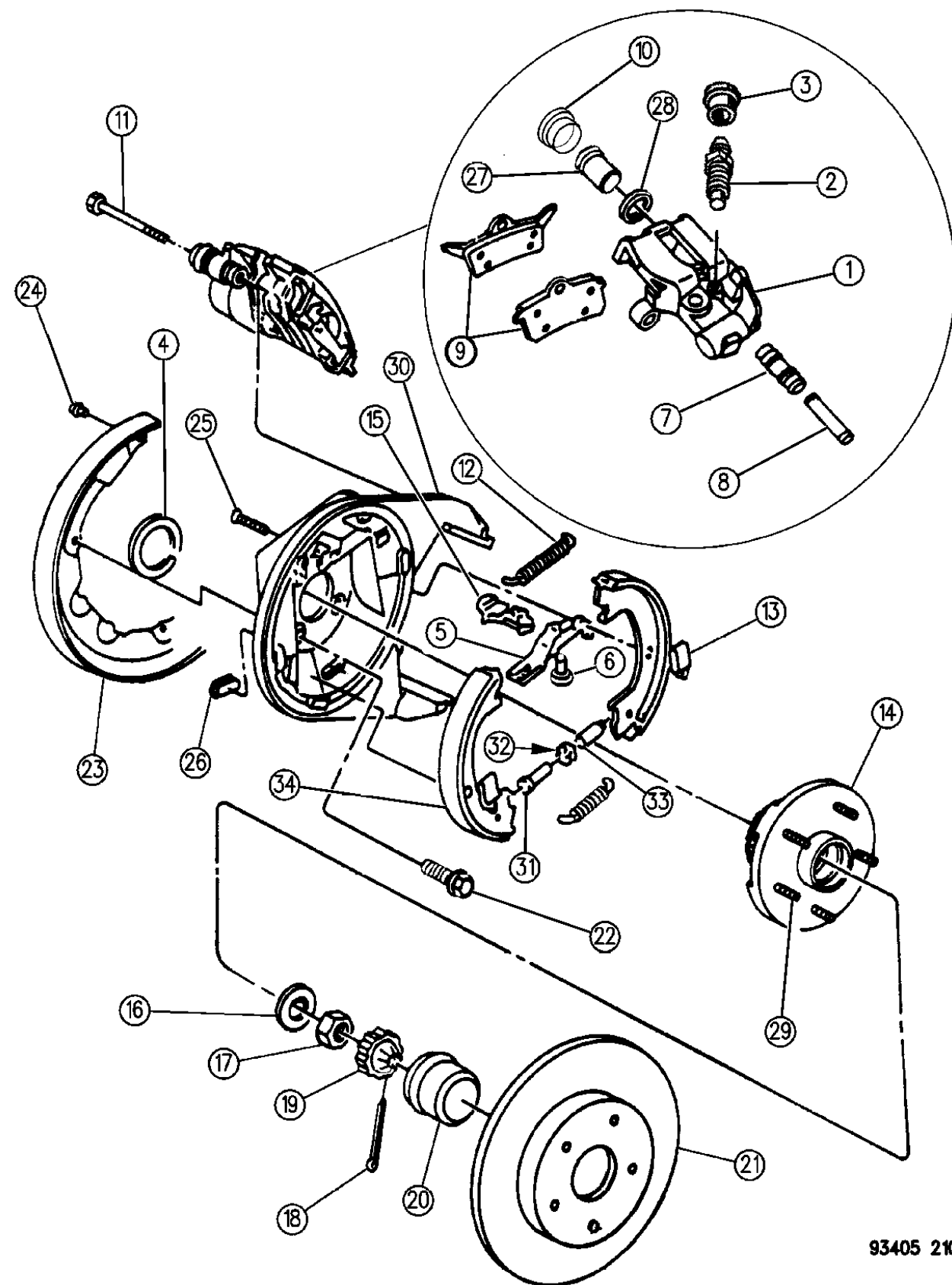
AR = Use as Required - = Non Illustrated Part P.A.R. = Paint as Required



93405 210

5-210A

ITEM	PART NUMBER	QTY	BODY	MODEL	DESCRIPTION
	4797 310-1	1			w/ABS 1995
	4797 310-1	1			w/ABS, w/or w/o Traction control 1996
31	4509 503	2			SCREW, Parking Brake Adjuster
32	4383 539	2			NUT, Parking Brake Adjuster
33	4509 504	2			SOCKET, Parking Brake Adjuster
34					SHOE & LINING PACKAGE, Parking Brake (Rear Disc) ***
	4509 505	1			All, Except Europe 1993
	4741 772	1			All, Except Europe 1994-5-6
	4509 375	1			Europe
-	4582 440-1	1			SENSOR, Rear Disc w/ABS 1993-94
-	4695 138-9	1			w/ABS 1995
-	4695 138-9	1			w/ABS, w/or w/o Traction Control 1996
-	4582 630	2			RETAINER, Rear Sensor Wire Grommet
-	6101 683	2			SCREW, Rear Wheel Speed Sensor (M6-1.0x35mm)
-	6501 682	2			SCREW, Rear Sensor Grommet Ret Att or L Bracket to Body Att or Bracket to Hanger Bracket Att M6x1.00x12.00
-	6501 682	2			SCREW, Rear Sensor Tube to Tension Strut Att M6x1.00x12.00



93405 210

**MODEL CODES:**

Chrysler = (CH41 = New Yorker, CP41 = LHS, DH41 = Intrepid(Canada), DP41 = Intrepid ES(Canada), LP41 = Concorde)  
 DODGE = (DH41 = Intrepid(USA), DP41 = Intrepid ES(USA))  
 EAGLE = (XP41 = Vision ESI, XS41 = Vision TSI)

**BODY STYLES:**

41 = 4 - Door Sedan ENGINE: 3.3L (EGB)  
 3.5L (EGE) 24 Valve

AR = Use as Required - = Non Illustrated Part P.A.R. = Paint as Required