

VIN PLATE DECODING INFORMATION

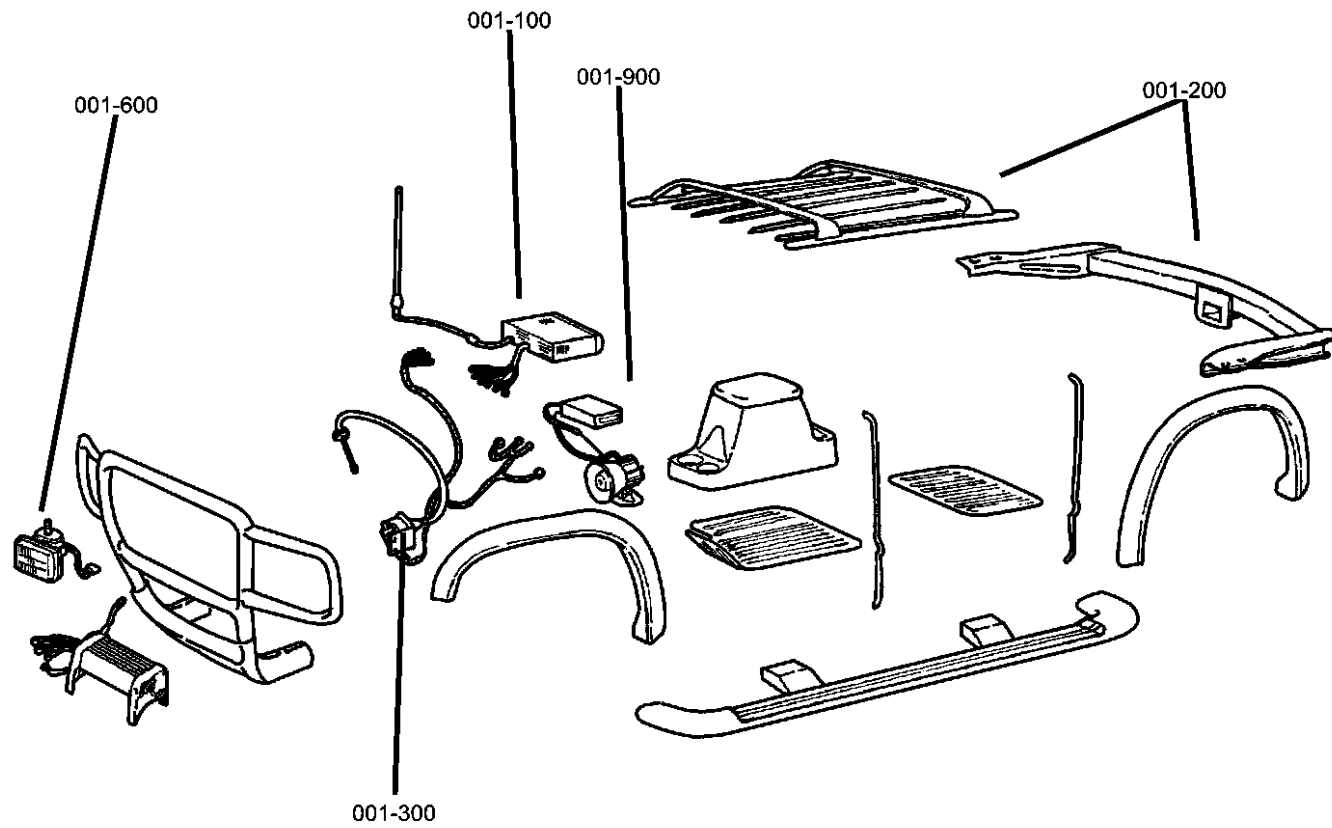
1	2	3	4	5	6	7	8	9	10	11	12 thru 17
Country	Make	Vehicle Type	Other	Line	Series	Body Style	Engine	Check Digit	Model Year	Assy. Plant	Sequence No.

The following table interprets the VIN Plate position shown above.

Position	Interpretation	Codes = Description
1	Country of Origin	2 = Built in Canada by DaimlerChrysler Canada Inc
2	Assembler	C = Chrysler B = Dodge
3	Vehicle Type	3 = Passenger Car
4	GVWR & Pass. Safety	H = Restraint System Active Driver & Passenger Air Bags (CGW) A = Restraint System Active Front & Side Air Bags (CGS) B = Restraint System Manual/Active Uni-belt (CGA) D = Restraint System w/o Air Bags (CGJ)
5	Vehicle Line	C = Chrysler Concorde H = Chrysler Intrepid (Canada) D = Dodge Intrepid (U.S., Mexico & BUX w/MUD) E = Chrysler 300M
6	Series	6 = * = 300M w/ABB 7 = 300M Special 6 = 300M w/o ABB 4 = Concorde LX/Intrepid SE 3 = Concorde LXi 5 = Concorde Limited 5 = Intrepid ES/SXT
7	Body Style	6 = 4 Door Sedan
8	Engine	R = 2.7L 6 cyl. DOHC FF (EER) M = 3.5L 6 Cyl. 24V (EGJ) G = 3.5L 6 cyl. 24V (EGG) V = 3.5L 6 cyl. 24V SOHC Magnum (EGC) K = 3.5L HO 6 Cyl. 24V MPI (EGK)
9	Check Digit	0 = Check Digit 0 = Check Digit
10	Model Year	4 = 2004
11	Assembly Plant	H = Brampton Assembly
12 thru 17	Vehicle Build Sequence	Model Year Assembly Sequence

Group - 1

Component Parts for Mopar Accessories



Group - 1 Component Parts for Mopar Accessories

Illustration Title

Group-Fig. No.

Audio & Electronics

Player Kit - CD Changer 6 Disc	Fig. 1 - 110
Satellite Receiver Kit	Fig. 1 - 120
Install Kit, Satellite Receiver	Fig. 1 - 130
Install Kit, Satellite Receiver	Fig. 1 - 140
Navigation Kit	Fig. 1 - 150

Carriers & Cargo Hauling

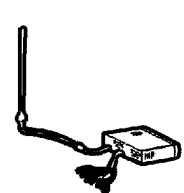
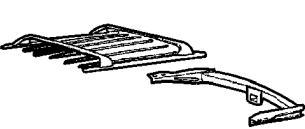


Bike Carrier - Hitch Mount	Fig. 1 - 210
Bike Carrier - Roof	Fig. 1 - 212
Bike Carrier - Roof	Fig. 1 - 214
Ski Carrier - Roof	Fig. 1 - 224
Luggage Carrier	Fig. 1 - 235
Trailer Tow Harness	Fig. 1 - 290

Fog Lights & Electrical

Heater Kit - Engine and Battery	Fig. 1 - 610
---------------------------------------	--------------

Security

Alarm - EVSII Security Plus	Fig. 1 - 914
Module Package - Keyless Entry	Fig. 1 - 920

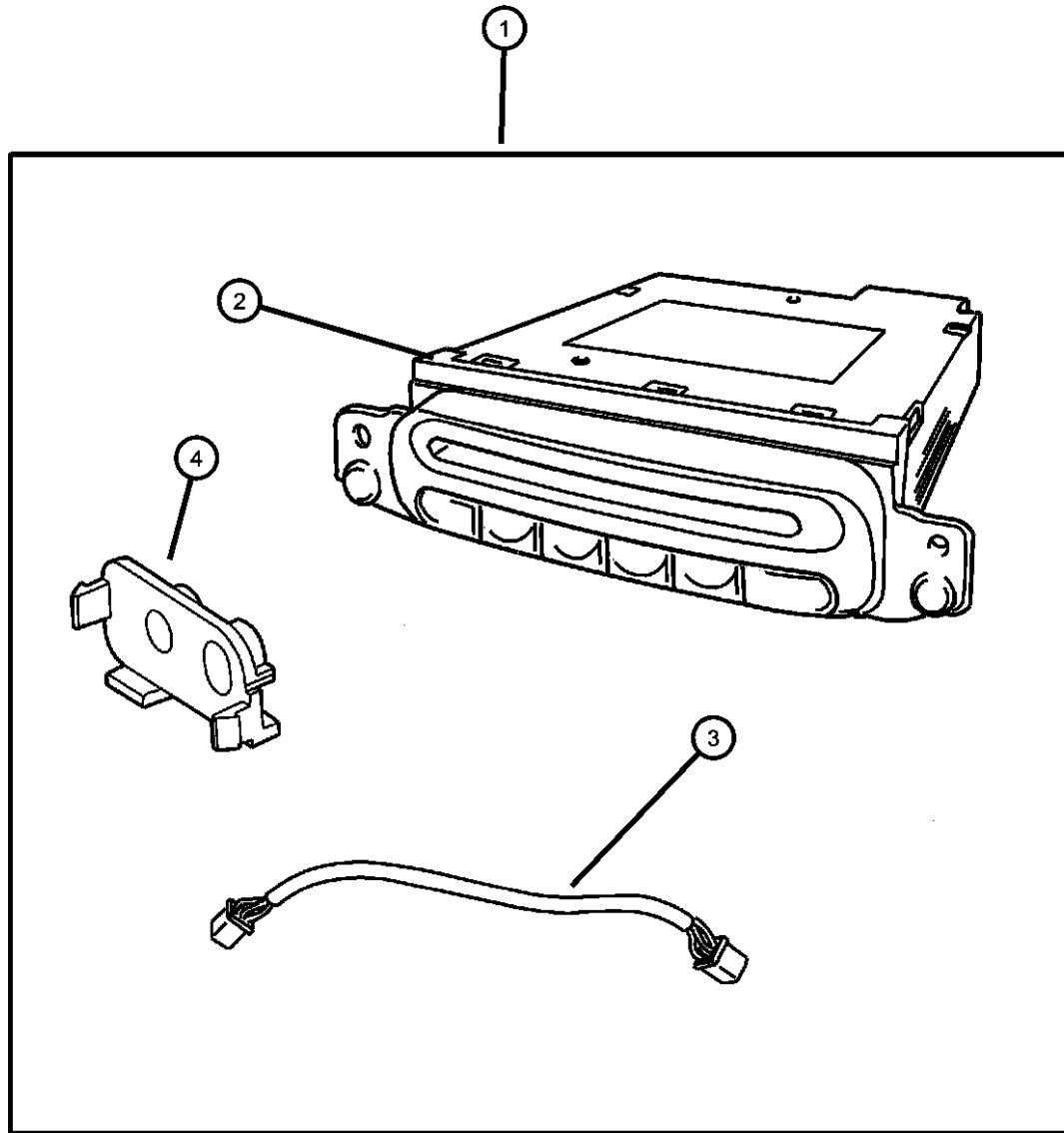
<p>001-100 Audio & Electronics</p> 	<p>001-200 Carriers & Cargo Hauling</p> 	<p>001-600 Fog Lights & Electrical</p> 	<p>001-900 Security</p> 
---	--	--	--

Player Kit - CD Changer 6 Disc
Figure 1-110

ITEM	PART NUMBER	QTY	LINE	SERIES	BODY	ENGINE	TRANS	TRIM	DESCRIPTION
------	-------------	-----	------	--------	------	--------	-------	------	-------------

Note: For Warranty Repair Order Item #2, Order Through [GPOP] Function 11, Using Z Prefix

1	82207875	1							PLAYER KIT, CD Changer - 6 Disc
2	56038659AE	1							CHANGER, CD 6 Disc
3	04671841AA	1							WIRING, Compact Disc Changer
4	04595829AA	1	D						ADAPTOR, CD changer



CONCORDE,INTREPID,VISION,300M,NEW YORKER,LHS (LH)

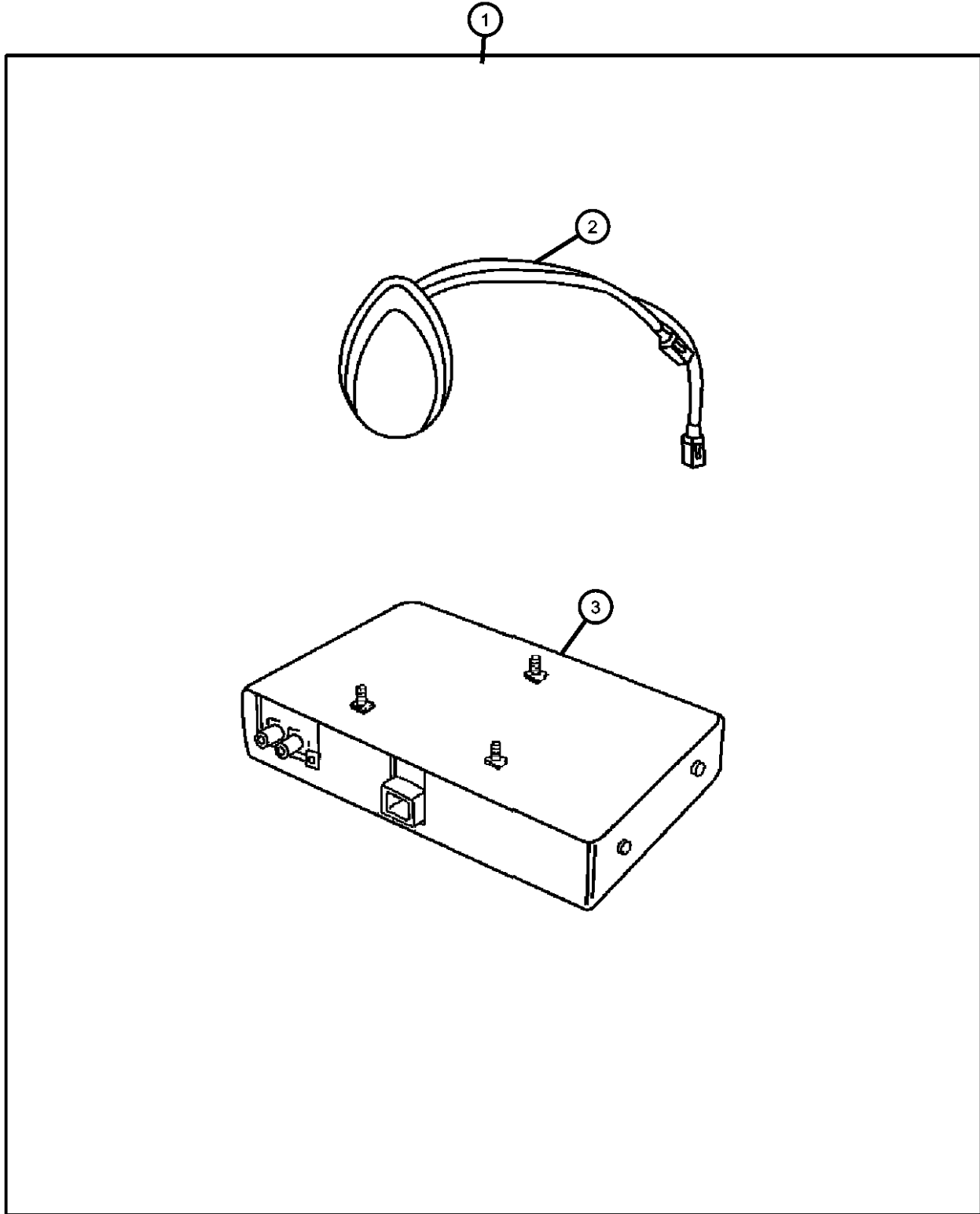
SERIES	LINE	BODY
P = Limited	C = Concorde	41 = 4 Door Sedan
S = 300M	E = 300M	
H = SE	H = Chrysler Intrepid	
M = LXI	D = Dodge Intrepid	
X = 300M Special		

ENGINE	TRANSMISSION
EER = Engine - 2.7L V6 DOHC 24 Valve MPI	DGX = Transmission - 4-Speed Automatic
EGC = Engine - "Magnum" 3.5L V6 SOHC 24V	DG0 = All Automatic Transmissions
EGG = Engine - 3.5L High Output V6 24V MPI	
EGJ = Engine - 3.5L V6 SOHC 24 Valve	
EGK = Engine - 3.5L High Output V6 24V MPI	

AR = use ase required - = Non illustrated part

2004 LH

**Satellite Receiver Kit
Figure 1-120**



ITEM	PART NUMBER	QTY	LINE	SERIES	BODY	ENGINE	TRANS	TRIM	DESCRIPTION
------	-------------	-----	------	--------	------	--------	-------	------	-------------

Note: For Warranty Repair on Item 3, Order Through [GPOP] Function 11, Using Z Prefix

1	82206488AA	1							RECEIVER, Satellite
2	05066205AC	1							ANTENNA, Satellite
3	05064020AG	1							RECEIVER, Satellite

CONCORDE,INTREPID,VISION,300M,NEW YORKER,LHS (LH)

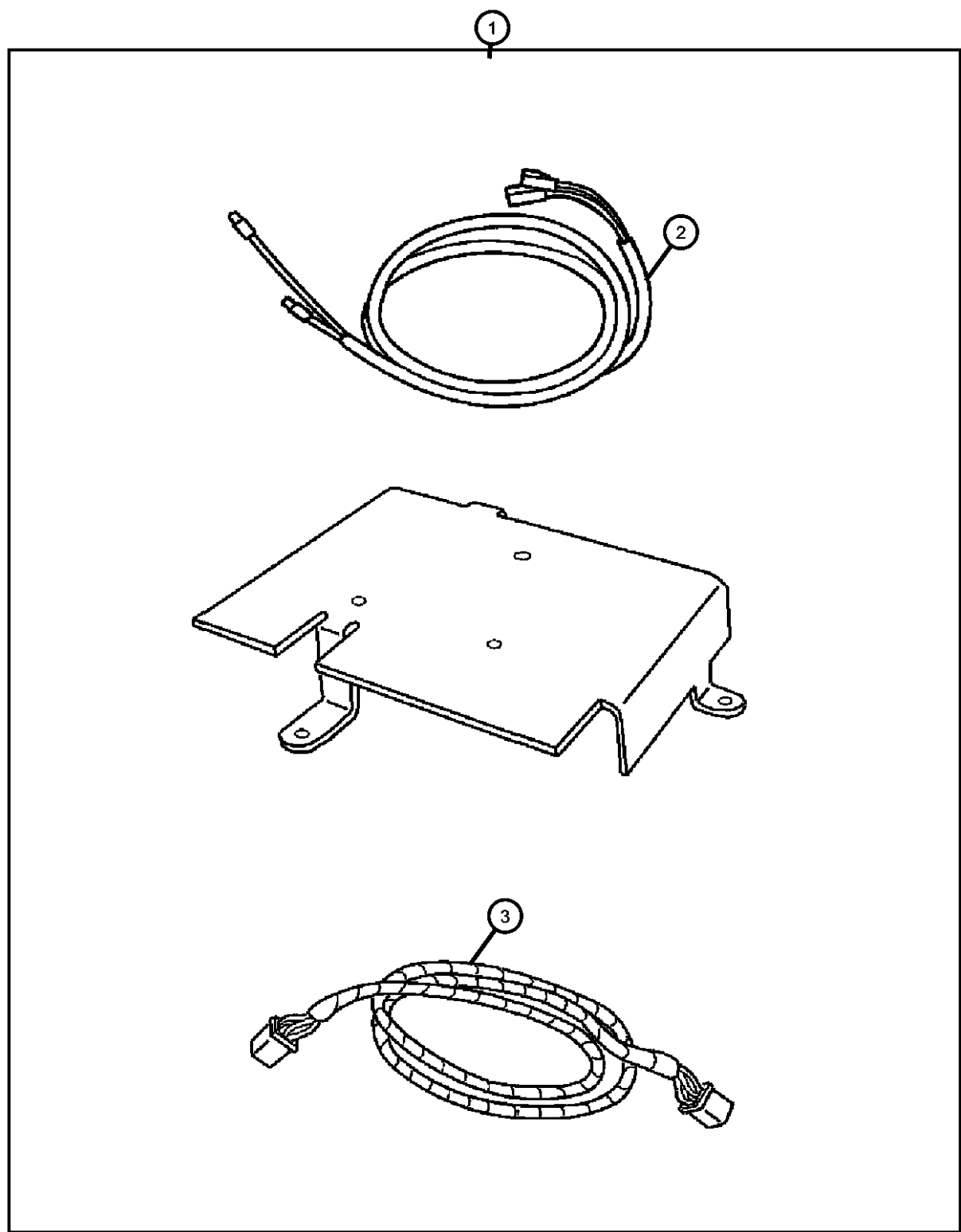
SERIES	LINE	BODY
P = Limited	C = Concorde	41 = 4 Door Sedan
S = 300M	E = 300M	
H = SE	H = Chrysler Intrepid	
M = LXI	D = Dodge Intrepid	
X = 300M Special		

ENGINE	TRANSMISSION
EER = Engine - 2.7L V6 DOHC 24 Valve MPI	DGX = Transmission - 4-Speed Automatic
EGC = Engine - "Magnum" 3.5L V6 SOHC 24V	DG0 = All Automatic Transmissions
EGG = Engine - 3.5L High Output V6 24V MPI	
EGJ = Engine - 3.5L V6 SOHC 24 Valve	
EGK = Engine - 3.5L High Output V6 24V MPI	

AR = use ase required - = Non illustrated part

2004 LH

**Install Kit, Satellite Receiver
Figure 1-130**



ITEM	PART NUMBER	QTY	LINE	SERIES	BODY	ENGINE	TRANS	TRIM	DESCRIPTION
1	82207886	1							INSTALL KIT, Satelite Receiver
2	05066207AA	1							CABLE, Antenna
3	05066203AA	1							WIRING, Rcvr to Radio

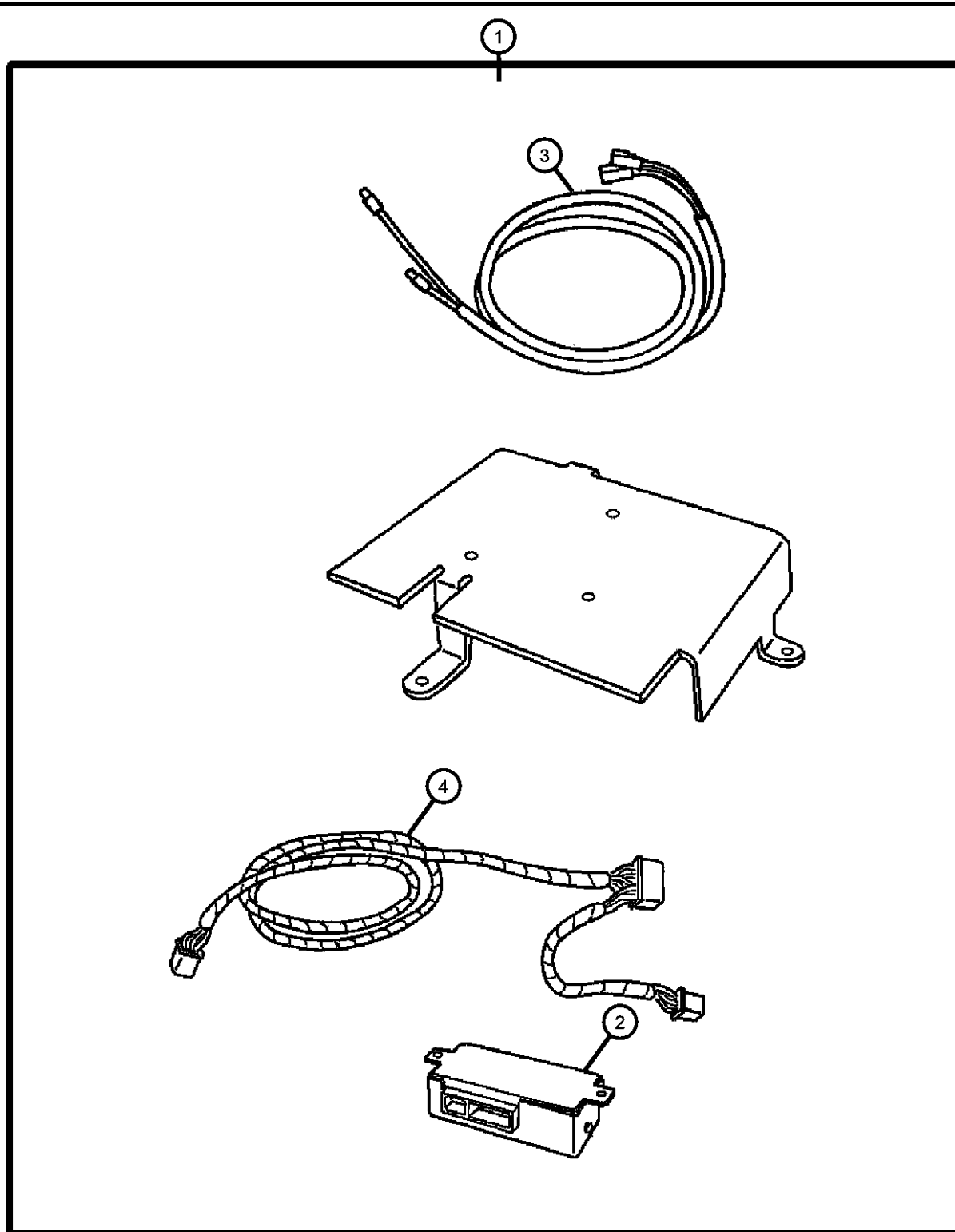
CONCORDE,INTREPID,VISION,300M,NEW YORKER,LHS (LH)

SERIES	LINE	BODY
P = Limited	C = Concorde	41 = 4 Door Sedan
S = 300M	E = 300M	
H = SE	H = Chrysler Intrepid	
M = LXI	D = Dodge Intrepid	
X = 300M Special		

ENGINE	TRANSMISSION
EER = Engine - 2.7L V6 DOHC 24 Valve MPI	DGX = Transmission - 4-Speed Automatic
EGC = Engine - "Magnum" 3.5L V6 SOHC 24V	DG0 = All Automatic Transmissions
EGG = Engine - 3.5L High Output V6 24V MPI	
EGJ = Engine - 3.5L V6 SOHC 24 Valve	
EGK = Engine - 3.5L High Output V6 24V MPI	

AR = use ase required - = Non illustrated part

**Install Kit, Satellite Receiver
Figure 1-140**



ITEM	PART NUMBER	QTY	LINE	SERIES	BODY	ENGINE	TRANS	TRIM	DESCRIPTION
1	82208117	1							INSTALL KIT, Satelite Receiver
2	05059112AC	1							MODULE, Radio Control
3	05066207AA	1							CABLE, Antenna
4	05086643AA	1							WIRING, Rcvr to Radio

CONCORDE,INTREPID,VISION,300M,NEW YORKER,LHS (LH)

SERIES	LINE	BODY
P = Limited	C = Concorde	41 = 4 Door Sedan
S = 300M	E = 300M	
H = SE	H = Chrysler Intrepid	
M = LXI	D = Dodge Intrepid	
X = 300M Special		

ENGINE	TRANSMISSION
EER = Engine - 2.7L V6 DOHC 24 Valve MPI	DGX = Transmission - 4-Speed Automatic
EGC = Engine - "Magnum" 3.5L V6 SOHC 24V	DG0 = All Automatic Transmissions
EGG = Engine - 3.5L High Output V6 24V MPI	
EGJ = Engine - 3.5L V6 SOHC 24 Valve	
EGK = Engine - 3.5L High Output V6 24V MPI	

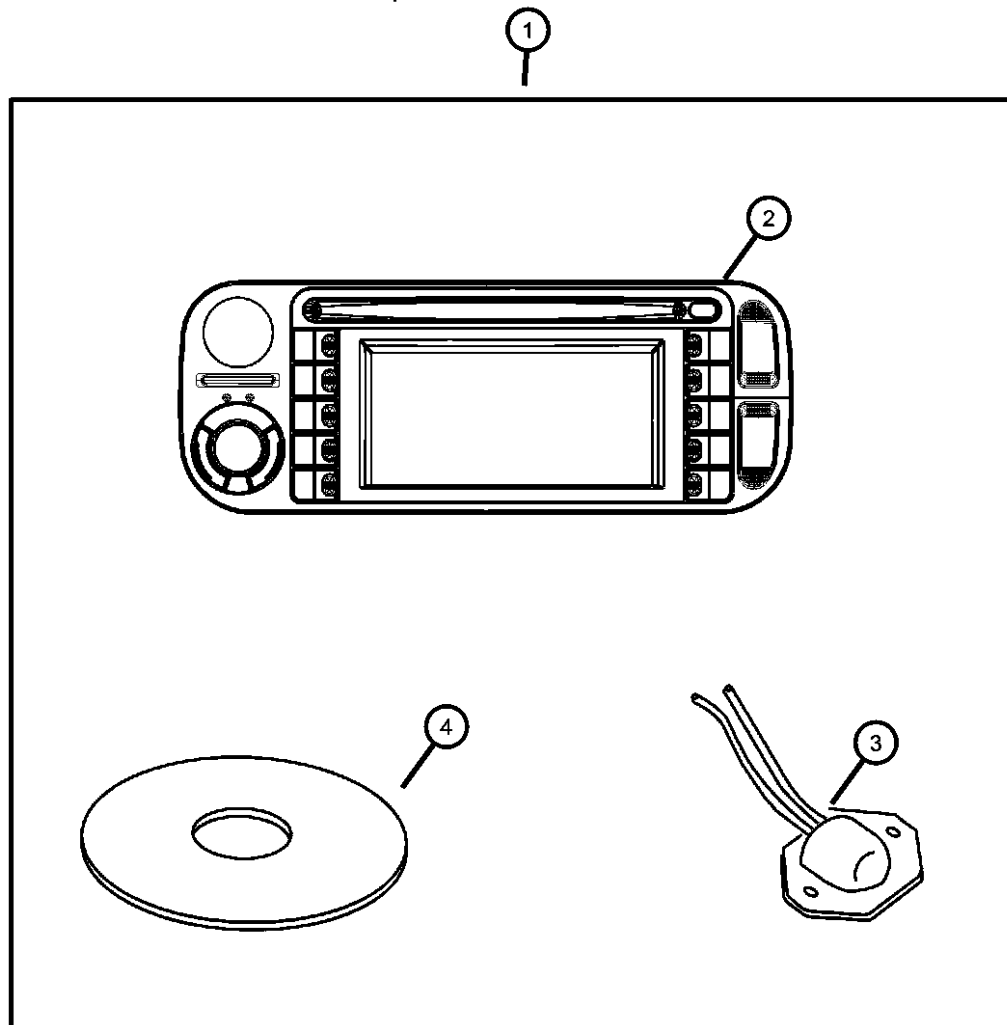
AR = use ase required - = Non illustrated part

Navigation Kit
Figure 1-150

ITEM	PART NUMBER	QTY	LINE	SERIES	BODY	ENGINE	TRANS	TRIM	DESCRIPTION
------	-------------	-----	------	--------	------	--------	-------	------	-------------

Note: For Warranty Repair on Item 2, Order Through [GPOP] Function 11, Using Z Prefix

1	82206406	1							RADIO, AM/FM CD W/NAV/DVD & CD-CTRL
2	56038629AB	1							RADIO, AM/FM CD W/NAV/DVD & CD-CTRL
3	56038630AA	1							ANTENNA, GPS
4	56038642AA	1							DVD, Geographic Database



CONCORDE,INTREPID,VISION,300M,NEW YORKER,LHS (LH)

SERIES	LINE	BODY
P = Limited	C = Concorde	41 = 4 Door Sedan
S = 300M	E = 300M	
H = SE	H = Chrysler Intrepid	
M = LXI	D = Dodge Intrepid	
X = 300M Special		

ENGINE	TRANSMISSION
EER = Engine - 2.7L V6 DOHC 24 Valve MPI	DGX = Transmission - 4-Speed Automatic
EGC = Engine - "Magnum" 3.5L V6 SOHC 24V	DG0 = All Automatic Transmissions
EGG = Engine - 3.5L High Output V6 24V MPI	
EGJ = Engine - 3.5L V6 SOHC 24 Valve	
EGK = Engine - 3.5L High Output V6 24V MPI	

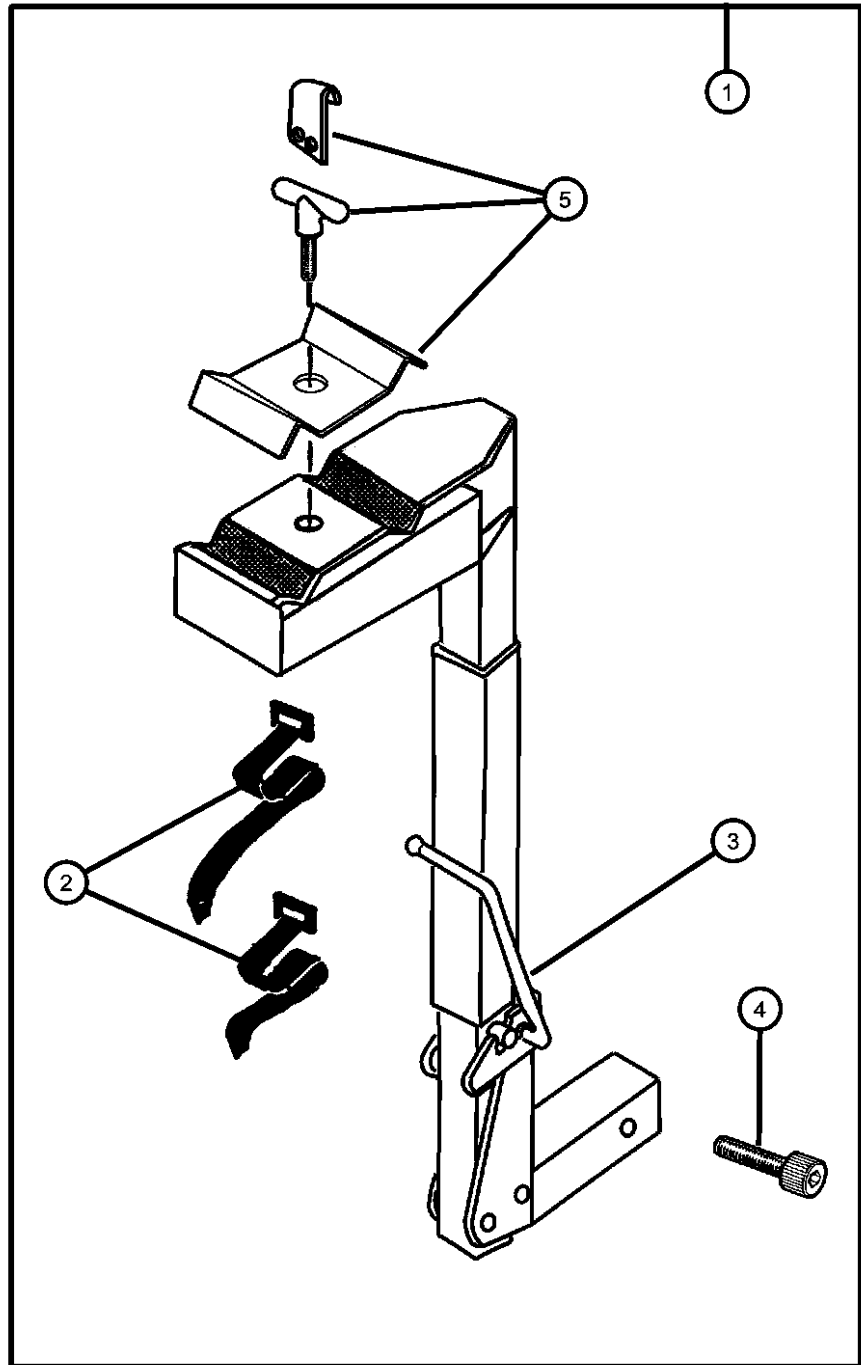
AR = use ase required - = Non illustrated part

2004 LH

Bike Carrier - Hitch Mount
Figure 1-210

ITEM	PART NUMBER	QTY	LINE	SERIES	BODY	ENGINE	TRANS	TRIM	DESCRIPTION
------	-------------	-----	------	--------	------	--------	-------	------	-------------

NOTE: Folds down for access to rear deck, has anti theft bolts.



1	82204452	1							CARRIER KIT, Bike
2	04762880	1							STRAP KIT, Velcro, Contains: 1-Long and 1-Short Strap
3	05016775AA	1							STRAP KIT, Bike Carrier Latch, Contains: 2-Rubber Straps
4	05016774AA	1							BOLT KIT, Security
5	05018825AA	1							HARDWARE KIT, Bike Carrier, Contains: T-Handle, Top Clamp and Nylon Washer

CARRIER KIT, Bike
STRAP KIT, Velcro, Contains: 1-Long and 1-Short Strap
STRAP KIT, Bike Carrier Latch, Contains: 2-Rubber Straps
BOLT KIT, Security
HARDWARE KIT, Bike Carrier, Contains: T-Handle, Top Clamp and Nylon Washer

CONCORDE,INTREPID,VISION,300M,NEW YORKER,LHS (LH)

SERIES	LINE	BODY
P = Limited	C = Concorde	41 = 4 Door Sedan
S = 300M	E = 300M	
H = SE	H = Chrysler Intrepid	
M = LXI	D = Dodge Intrepid	
X = 300M Special		

ENGINE	TRANSMISSION
EER = Engine - 2.7L V6 DOHC 24 Valve MPI	DGX = Transmission - 4-Speed Automatic
EGC = Engine - "Magnum" 3.5L V6 SOHC 24V	DG0 = All Automatic Transmissions
EGG = Engine - 3.5L High Output V6 24V MPI	
EGJ = Engine - 3.5L V6 SOHC 24 Valve	
EGK = Engine - 3.5L High Output V6 24V MPI	

AR = use ase required - = Non illustrated part

2004 LH

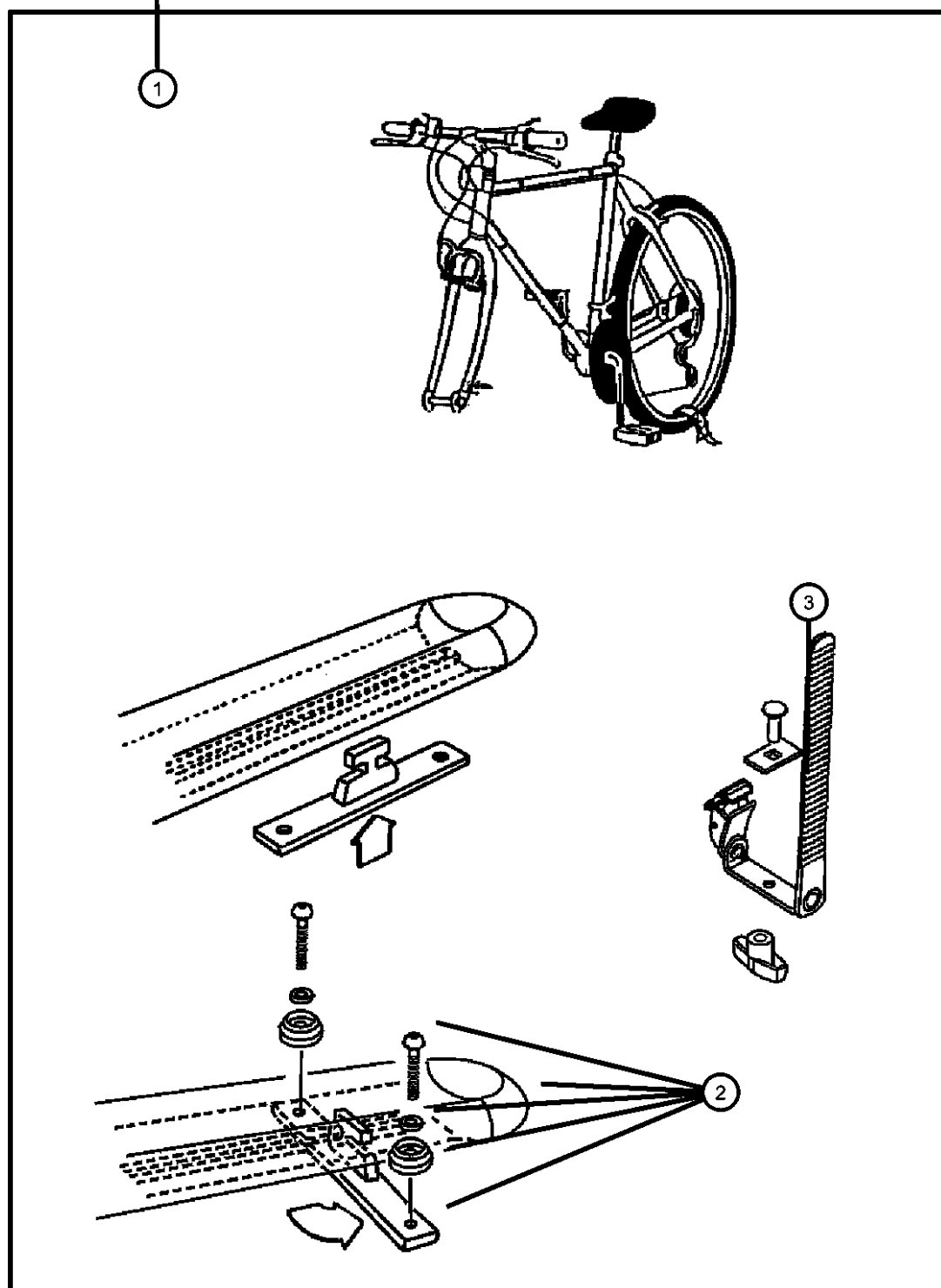
Bike Carrier - Roof
Figure 1-212

ITEM	PART NUMBER	QTY	LINE	SERIES	BODY	ENGINE	TRANS	TRIM	DESCRIPTION
------	-------------	-----	------	--------	------	--------	-------	------	-------------

NOTE: Hardware Kit also contained in Carrier Kit.

1	82207943	1							CARRIER KIT, Bike, Fork - Mount
2	05093779AA	1							HARDWARE KIT, Accessory, Contains: 2-T-Slot Anchors, 1-Rear T-Slot Bar, 4-Button Head Screws, 2-Lock Washers and 4-Dome Washers
3	05114532AA	1							STRAP, Cargo Tie Down

CARRIER KIT, Bike, Fork - Mount
HARDWARE KIT, Accessory,
Contains: 2-T-Slot Anchors,
1-Rear T-Slot Bar, 4-Button Head
Screws, 2-Lock Washers and
4-Dome Washers
STRAP, Cargo Tie Down



CONCORDE,INTREPID,VISION,300M,NEW YORKER,LHS (LH)

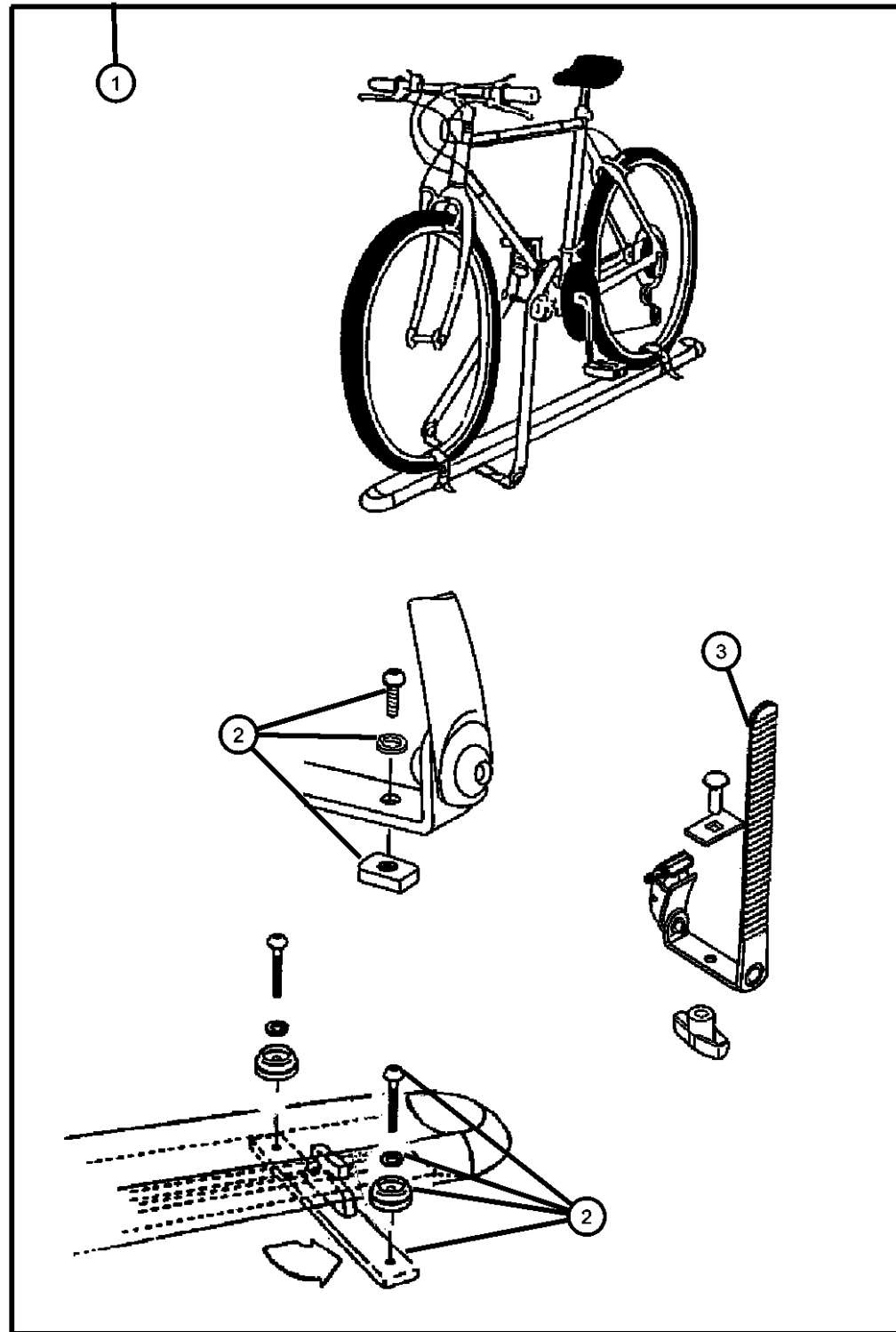
SERIES	LINE	BODY
P = Limited	C = Concorde	41 = 4 Door Sedan
S = 300M	E = 300M	
H = SE	H = Chrysler Intrepid	
M = LXI	D = Dodge Intrepid	
X = 300M Special		

ENGINE	TRANSMISSION
EER = Engine - 2.7L V6 DOHC 24 Valve MPI	DGX = Transmission - 4-Speed Automatic
EGC = Engine - "Magnum" 3.5L V6 SOHC 24V	DG0 = All Automatic Transmissions
EGG = Engine - 3.5L High Output V6 24V MPI	
EGJ = Engine - 3.5L V6 SOHC 24 Valve	
EGK = Engine - 3.5L High Output V6 24V MPI	

AR = use ase required - = Non illustrated part

2004 LH

Bike Carrier - Roof
Figure 1-214



ITEM	PART NUMBER	QTY	LINE	SERIES	BODY	ENGINE	TRANS	TRIM	DESCRIPTION
1	82207942	1							CARRIER KIT, Bike, Upright - Mount
2	05093779AA	1							HARDWARE KIT, Accessory, Contains: 2-T-Slot Anchors, 1-Rear T-Slot Bar, 4-Button Head Screws, 2-Lock Washers and 4-Dome Washers
3	05114532AA	1							STRAP, Cargo Tie Down

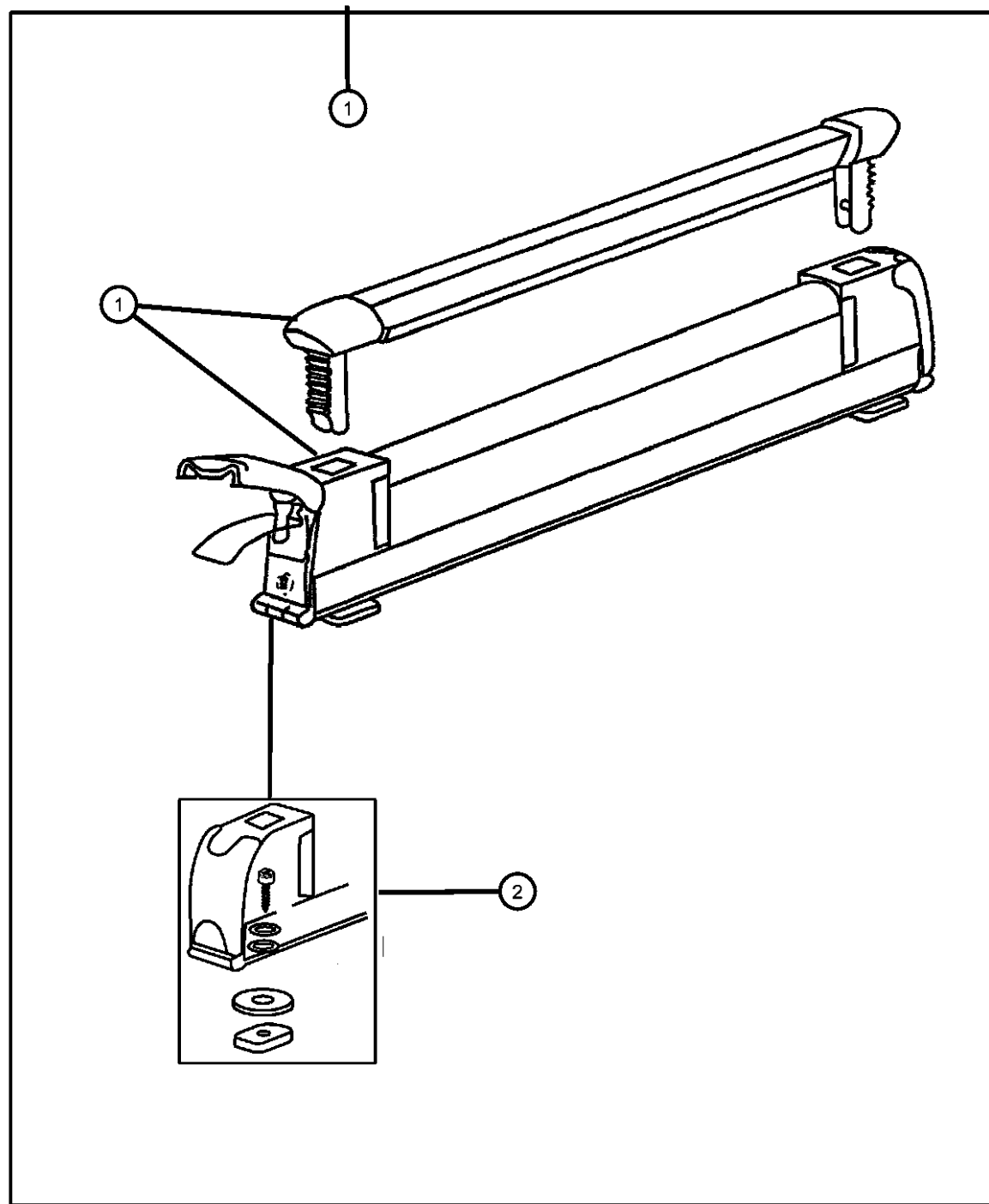
CONCORDE,INTREPID,VISION,300M,NEW YORKER,LHS (LH)

SERIES	LINE	BODY
P = Limited	C = Concorde	41 = 4 Door Sedan
S = 300M	E = 300M	
H = SE	H = Chrysler Intrepid	
M = LXI	D = Dodge Intrepid	
X = 300M Special		

ENGINE	TRANSMISSION
EER = Engine - 2.7L V6 DOHC 24 Valve MPI	DGX = Transmission - 4-Speed Automatic
EGC = Engine - "Magnum" 3.5L V6 SOHC 24V	DG0 = All Automatic Transmissions
EGG = Engine - 3.5L High Output V6 24V MPI	
EGJ = Engine - 3.5L V6 SOHC 24 Valve	
EGK = Engine - 3.5L High Output V6 24V MPI	

AR = use ase required - = Non illustrated part

Ski Carrier - Roof
Figure 1-224



ITEM	PART NUMBER	QTY	LINE	SERIES	BODY	ENGINE	TRANS	TRIM	DESCRIPTION
1	82207308	1							CARRIER KIT, Ski
	82207312	1							6 Pair
	05086158AA	1							3 Pair
2	05086158AA	1							HARDWARE KIT, Accessory, Contains: 4 - 25MM Screws, 4 - 20M Screws, 4 - 16MM Screws, 4 - Lock Washers, 4 - Flat Washers, 4 - T Plates, 4 - Rubber Washers
-3	05066632AA	1							TOOL, Screw Driver

CONCORDE,INTREPID,VISION,300M,NEW YORKER,LHS (LH)

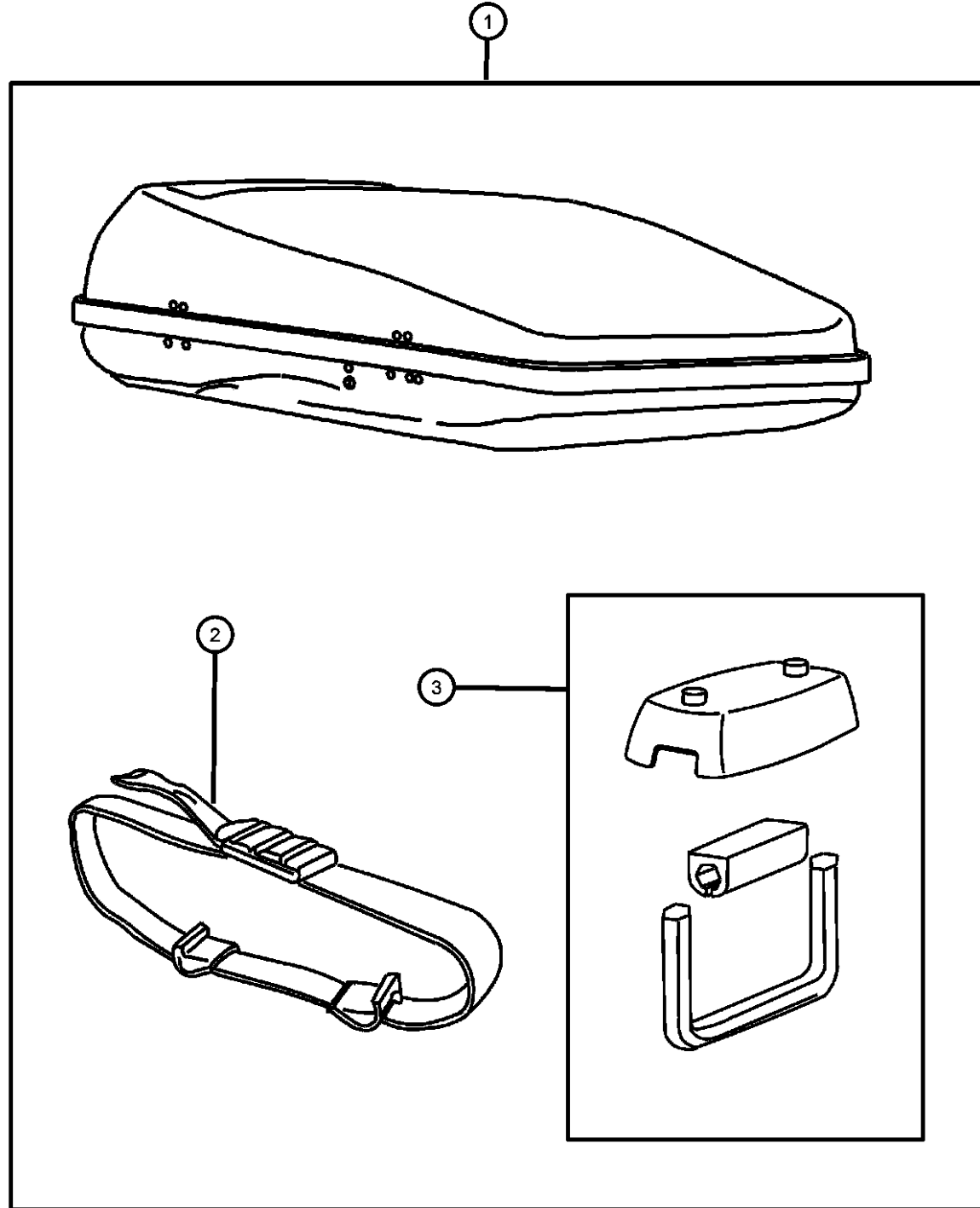
SERIES	LINE	BODY
P = Limited	C = Concorde	41 = 4 Door Sedan
S = 300M	E = 300M	
H = SE	H = Chrysler Intrepid	
M = LXI	D = Dodge Intrepid	
X = 300M Special		

ENGINE	TRANSMISSION
EER = Engine - 2.7L V6 DOHC 24 Valve MPI	DGX = Transmission - 4-Speed Automatic
EGC = Engine - "Magnum" 3.5L V6 SOHC 24V	DG0 = All Automatic Transmissions
EGG = Engine - 3.5L High Output V6 24V MPI	
EGJ = Engine - 3.5L V6 SOHC 24 Valve	
EGK = Engine - 3.5L High Output V6 24V MPI	

AR = use ase required - = Non illustrated part

2004 LH

Luggage Carrier
Figure 1-235



ITEM	PART NUMBER	QTY	LINE	SERIES	BODY	ENGINE	TRANS	TRIM	DESCRIPTION
1									CARRIER KIT, Luggage
	82207341	1			41				28'x90' 480L
	82207353	1			41				31'x71' 430L
2	05086160AA	1			41				STRAP, Cargo Tie Down
3	05086159AA	1			41				HARDWARE KIT

CONCORDE,INTREPID,VISION,300M,NEW YORKER,LHS (LH)

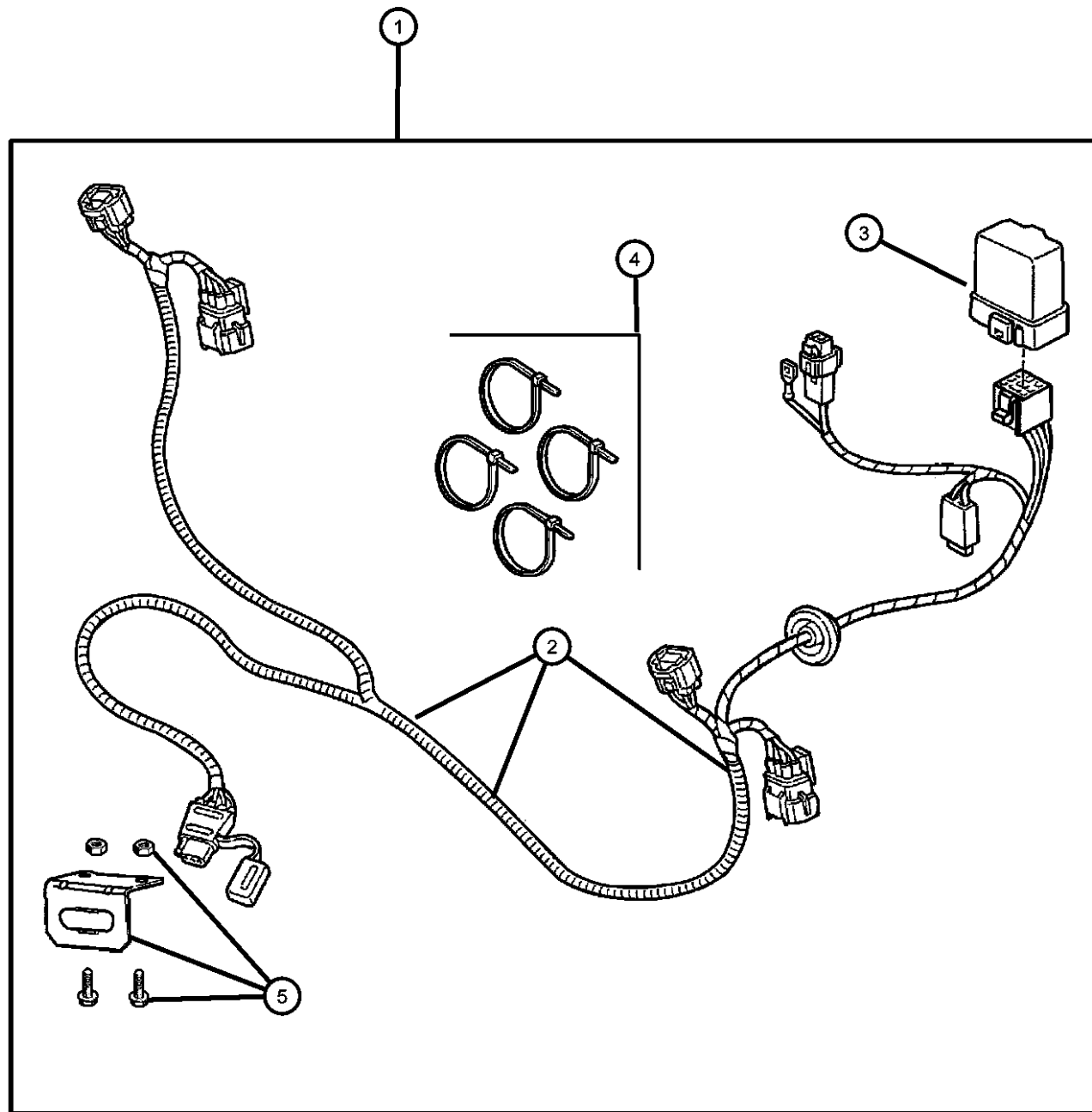
SERIES	LINE	BODY
P = Limited	C = Concorde	41 = 4 Door Sedan
S = 300M	E = 300M	
H = SE	H = Chrysler Intrepid	
M = LXI	D = Dodge Intrepid	
X = 300M Special		

ENGINE	TRANSMISSION
EER = Engine - 2.7L V6 DOHC 24 Valve MPI	DGX = Transmission - 4-Speed Automatic
EGC = Engine - "Magnum" 3.5L V6 SOHC 24V	DG0 = All Automatic Transmissions
EGG = Engine - 3.5L High Output V6 24V MPI	
EGJ = Engine - 3.5L V6 SOHC 24 Valve	
EGK = Engine - 3.5L High Output V6 24V MPI	

AR = use ase required - = Non illustrated part

2004 LH

Trailer Tow Harness
Figure 1-290



ITEM	PART NUMBER	QTY	LINE	SERIES	BODY	ENGINE	TRANS	TRIM	DESCRIPTION
1									WIRING PACKAGE, Trailer Tow
	82204638	1	D, Y		41				Trailer Tow 4 Way
	82204639	1	C		41				Trailer Tow 4 Way
2	82202089	1							WIRING, Trailer Tow, Vehicle and trailer side 4 way flat repair kit
3									MODULE, Lighting Control
	04672295	1	D, Y		41				
		1	C		41				
4									STRAP, Tie
	05073039AA	1							
	06016155	1	C		41				
5	82204602	1	C, D, Y		41				BRACKET KIT, Trailer Tow, Consists of : L Bracket, 2 Screws, 2 Lock Nuts 4 way flat

CONCORDE,INTREPID,VISION,300M,NEW YORKER,LHS (LH)

SERIES	LINE	BODY
P = Limited	C = Concorde	41 = 4 Door Sedan
S = 300M	E = 300M	
H = SE	H = Chrysler Intrepid	
M = LXI	D = Dodge Intrepid	
X = 300M Special		

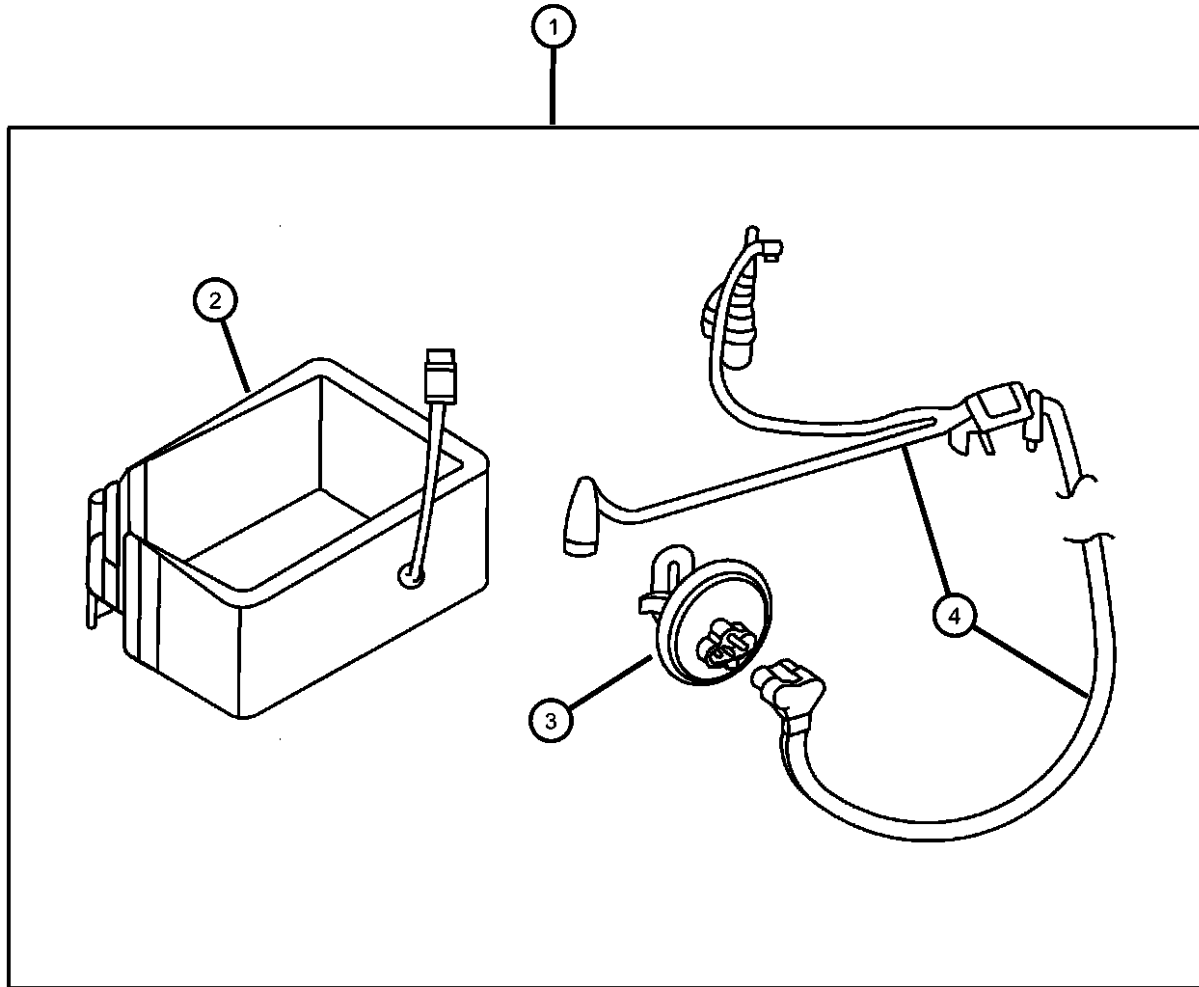
ENGINE	TRANSMISSION
EER = Engine - 2.7L V6 DOHC 24 Valve MPI	DGX = Transmission - 4-Speed Automatic
EGC = Engine - "Magnum" 3.5L V6 SOHC 24V	DG0 = All Automatic Transmissions
EGG = Engine - 3.5L High Output V6 24V MPI	
EGJ = Engine - 3.5L V6 SOHC 24 Valve	
EGK = Engine - 3.5L High Output V6 24V MPI	

AR = use ase required - = Non illustrated part

2004 LH

Heater Kit - Engine and Battery
Figure 1-610

ITEM	PART NUMBER	QTY	LINE	SERIES	BODY	ENGINE	TRANS	TRIM	DESCRIPTION
1	82203641	1	C, D, Y		41				HEATER KIT, Engine and Battery
2	04609098AB	1							HEATER, Battery
3	04609325AB	1							HEATER, Engine Block
4	04609121AD	1							CORD, Engine Block Heater



CONCORDE,INTREPID,VISION,300M,NEW YORKER,LHS (LH)

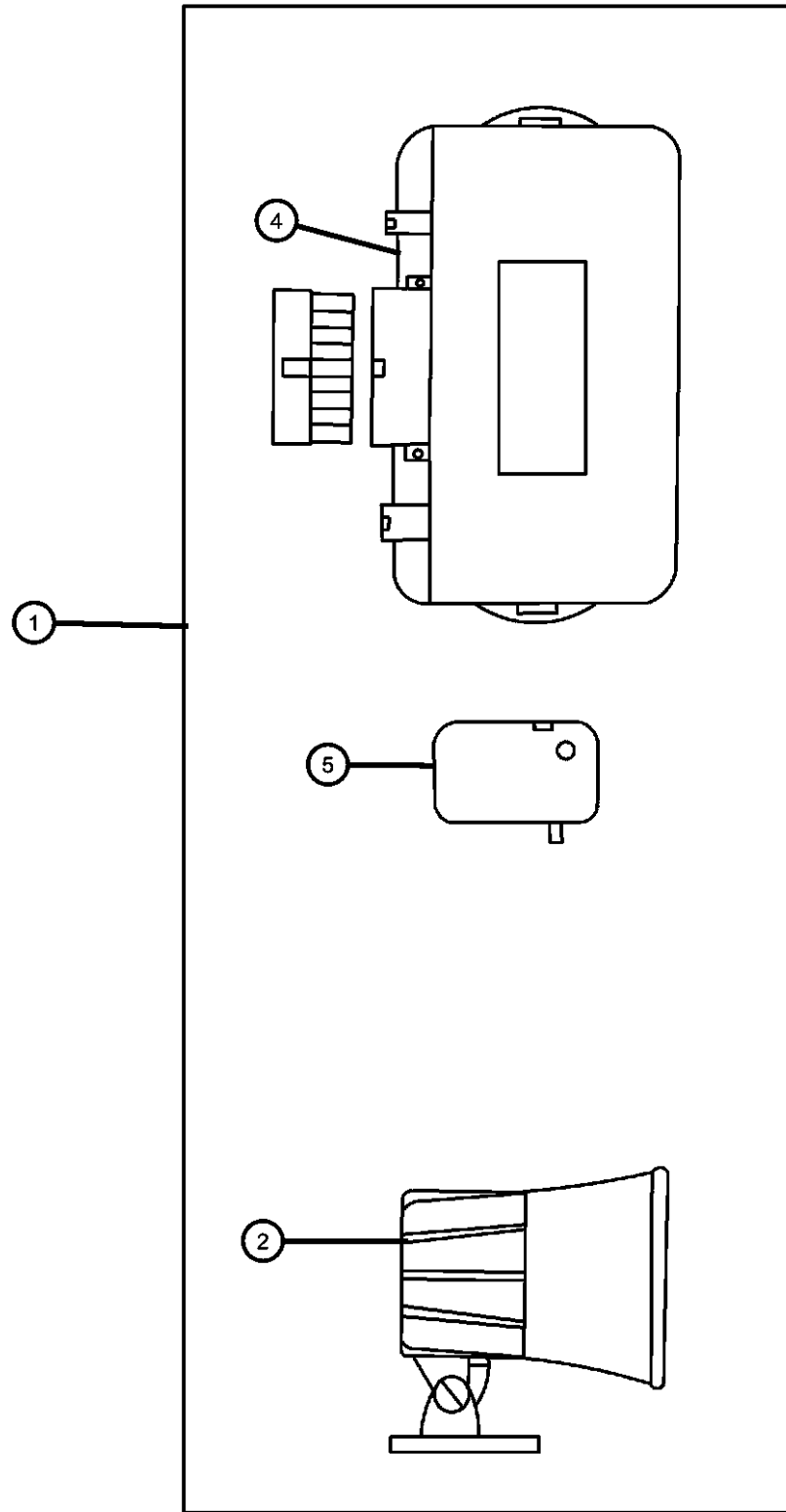
SERIES	LINE	BODY
P = Limited	C = Concorde	41 = 4 Door Sedan
S = 300M	E = 300M	
H = SE	H = Chrysler Intrepid	
M = LXI	D = Dodge Intrepid	
X = 300M Special		

ENGINE	TRANSMISSION
EER = Engine - 2.7L V6 DOHC 24 Valve MPI	DGX = Transmission - 4-Speed Automatic
EGC = Engine - "Magnum" 3.5L V6 SOHC 24V	DG0 = All Automatic Transmissions
EGG = Engine - 3.5L High Output V6 24V MPI	
EGJ = Engine - 3.5L V6 SOHC 24 Valve	
EGK = Engine - 3.5L High Output V6 24V MPI	

AR = use ase required - = Non illustrated part

2004 LH

**Alarm - EVSII Security Plus
Figure 1-914**



ITEM	PART NUMBER	QTY	LINE	SERIES	BODY	ENGINE	TRANS	TRIM	DESCRIPTION
1	82204268	1			41				MODULE, Security Alarm
2	82203198	1			41				SIREN, Alarm
-3	04886259AA	1			41				INDICATOR, Valet Status
4	05011619AA	1			41				MODULE, Security Alarm
5	04886260AB	1			41				SENSOR, Shock, With Terminals
-6	82208283	1			41				WIRING KIT, Alarm Security Plus

CONCORDE,INTREPID,VISION,300M,NEW YORKER,LHS (LH)

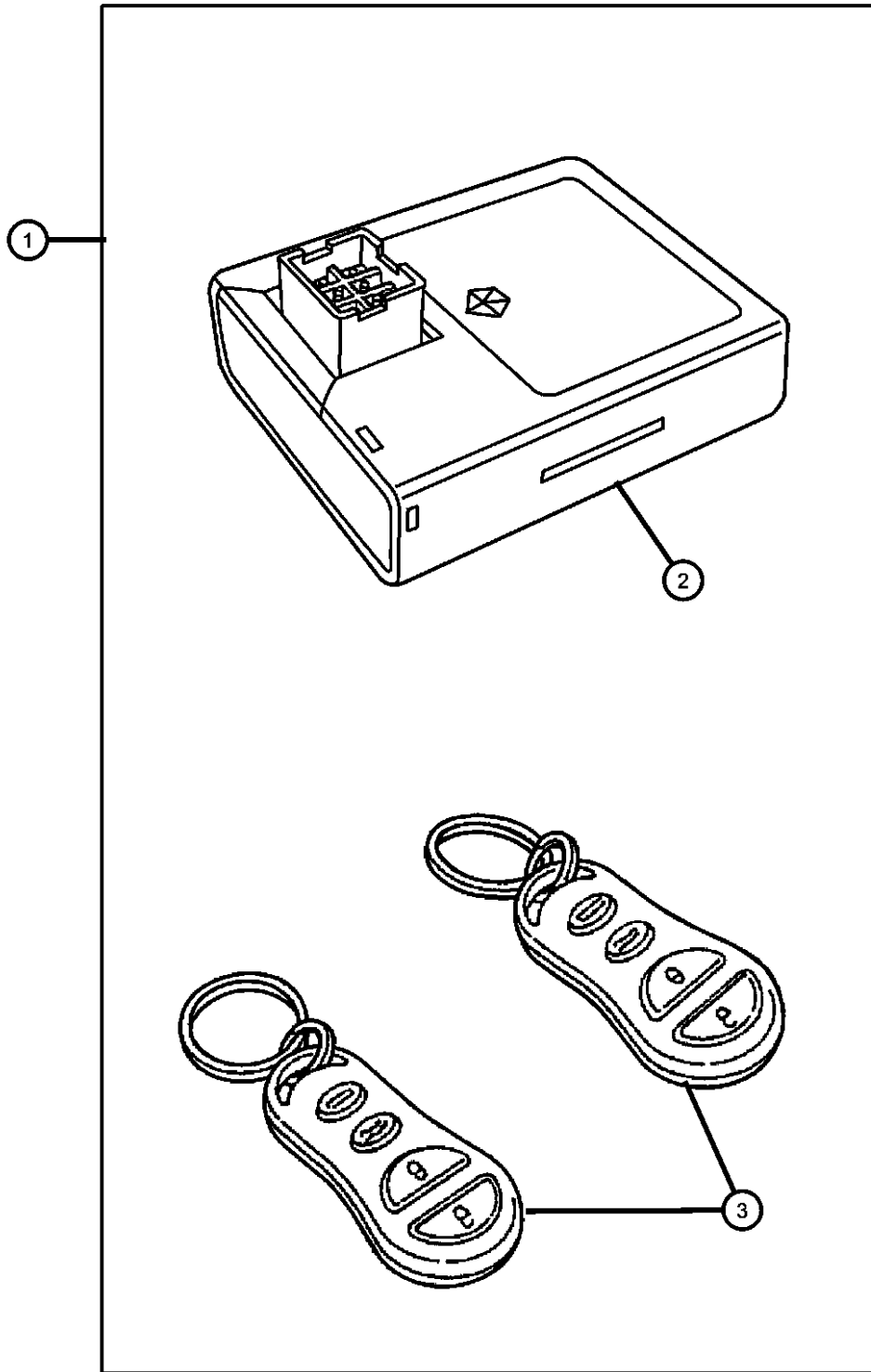
SERIES	LINE	BODY
P = Limited	C = Concorde	41 = 4 Door Sedan
S = 300M	E = 300M	
H = SE	H = Chrysler Intrepid	
M = LXI	D = Dodge Intrepid	
X = 300M Special		

ENGINE	TRANSMISSION
EER = Engine - 2.7L V6 DOHC 24 Valve MPI	DGX = Transmission - 4-Speed Automatic
EGC = Engine - "Magnum" 3.5L V6 SOHC 24V	DG0 = All Automatic Transmissions
EGG = Engine - 3.5L High Output V6 24V MPI	
EGJ = Engine - 3.5L V6 SOHC 24 Valve	
EGK = Engine - 3.5L High Output V6 24V MPI	

AR = use ase required - = Non illustrated part

Module Package - Keyless Entry
Figure 1-920

ITEM	PART NUMBER	QTY	LINE	SERIES	BODY	ENGINE	TRANS	TRIM	DESCRIPTION
1	82207513	1							MODULE PACKAGE, Keyless Entry
2	56045755AB	1							RECEIVER, Keyless Entry
3	04602260AA	2							TRANSMITTER, Keyless Entry
-4	83504802	2							BATTERY, Transmitter



CONCORDE,INTREPID,VISION,300M,NEW YORKER,LHS (LH)

SERIES	LINE	BODY
P = Limited	C = Concorde	41 = 4 Door Sedan
S = 300M	E = 300M	
H = SE	H = Chrysler Intrepid	
M = LXI	D = Dodge Intrepid	
X = 300M Special		

ENGINE	TRANSMISSION
EER = Engine - 2.7L V6 DOHC 24 Valve MPI	DGX = Transmission - 4-Speed Automatic
EGC = Engine - "Magnum" 3.5L V6 SOHC 24V	DG0 = All Automatic Transmissions
EGG = Engine - 3.5L High Output V6 24V MPI	
EGJ = Engine - 3.5L V6 SOHC 24 Valve	
EGK = Engine - 3.5L High Output V6 24V MPI	

AR = use ase required - = Non illustrated part

2004 LH

Group - 2

Front Suspension & Drive

Group - 2 Front Suspension & Drive

Illustration Title

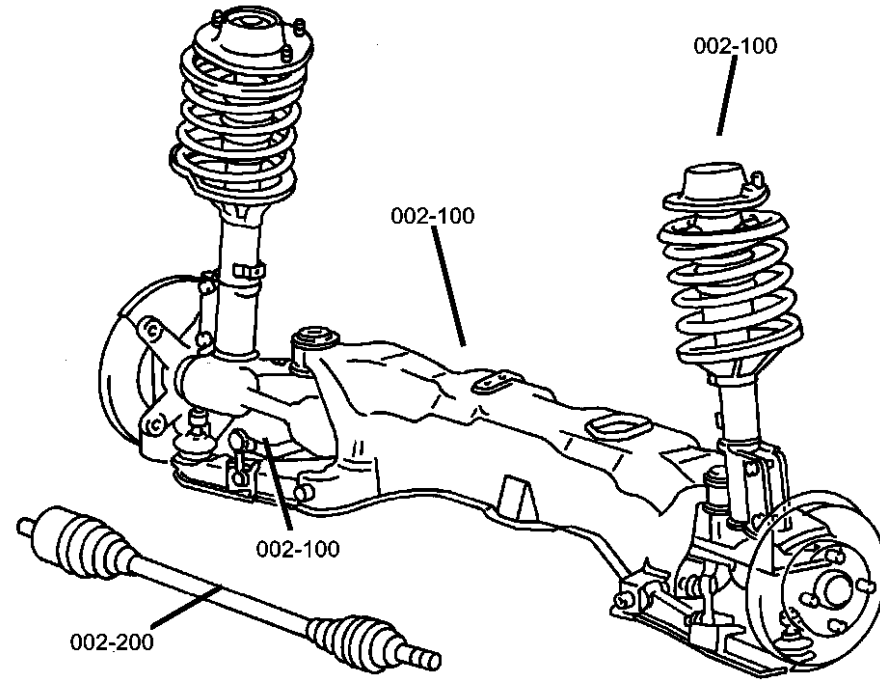
Group-Fig. No.


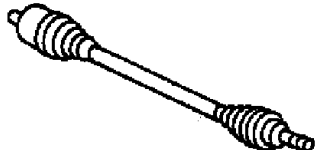
Front Suspension

Suspension, Front..... Fig. 2 - 110

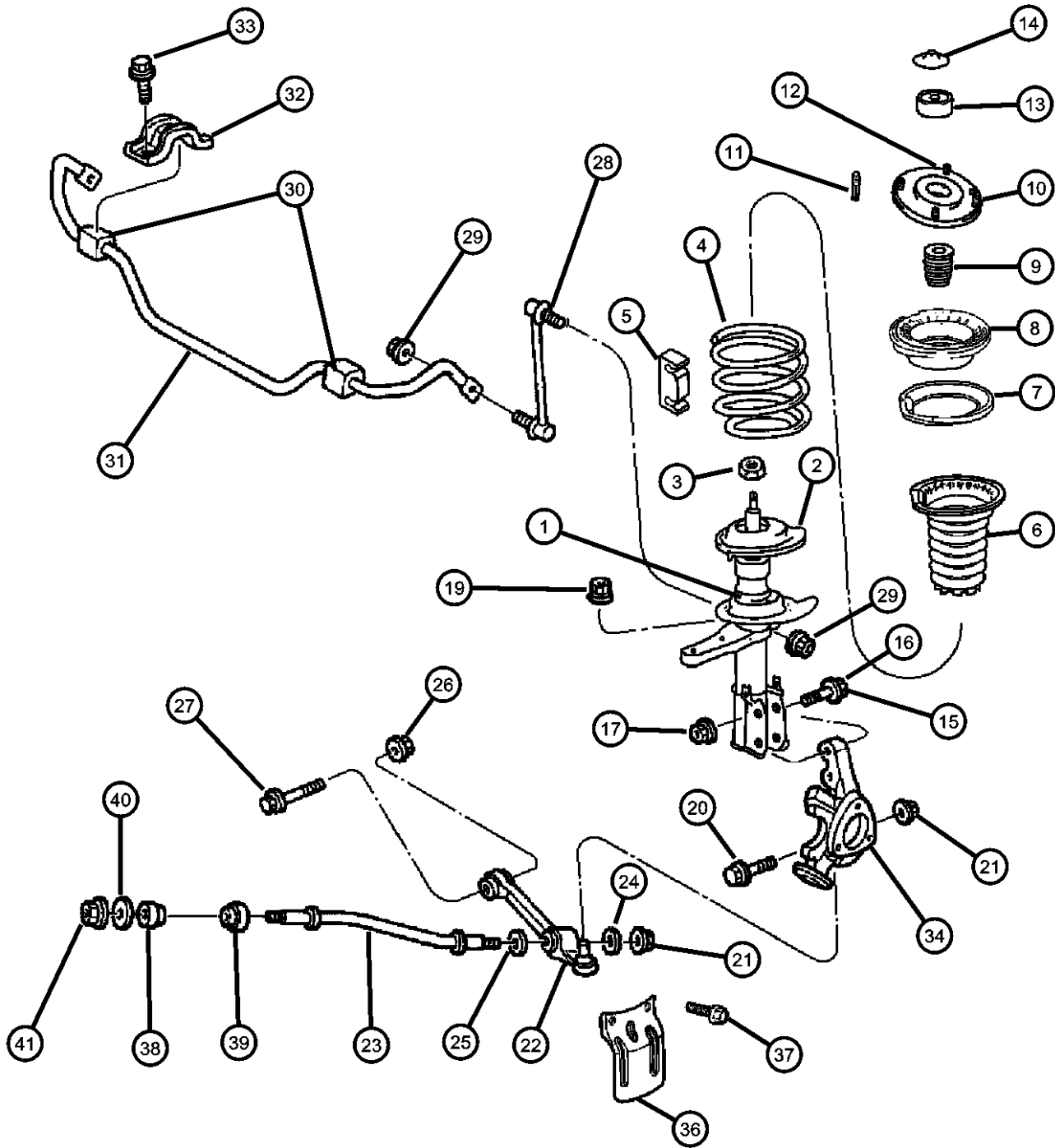
Front Axle Drive Shafts

Shaft, Front Drive Fig. 2 - 210



<p>002-100 Front Suspension</p> 	<p>002-200 Front Axle Drive Shafts</p> 		
--	---	--	--

Suspension, Front
Figure 2-110



ITEM	PART NUMBER	QTY	LINE	SERIES	BODY	ENGINE	TRANS	TRIM	DESCRIPTION
------	-------------	-----	------	--------	------	--------	-------	------	-------------

NOTE:Sales codes:
 [BR3]= ANTI-LOCK 4-WHEEL DISC
 [BR4]=ANTI-LOCK 4-WHEEL DISC, PER
 [BR5]=ANTI-LOCK 4-WHEEL DISC, PER
 [BR6]=ANTI-LOCK 4-WHEEL DISC, HD
 [SDB]=SUSPENSION - HEAVY DUTY
 [SDC]=SUSPENSION - TOURING
 [SDD]=SUSPENSION - PERFORMANCE
 [SDG]=SUSPENSION - 4-WHL INDEP. TOURING
 [SDE]=SUSPENSION - SPORT
 [ZAC Through ZRF]=Spring Group Types Found on Individual Vehicle Sales Listing.

1	04782012AF	1							DAMPER, Strut
	0SG81667								[SDA] [SDC], Right
	04782013AF	1							Mopar V-Line Alternative Part
	0SG81668								[SDA] [SDC], Left
	04782110AH	1							Mopar V-Line Alternative Part
	0SG81667								[SDD], Right
	04782111AH	1							Mopar V-Line Alternative Part
	0SG81668								[SDD], Left
	04782778AB	1							Mopar V-Line Alternative Part
	04782779AB	1							[SDB], Right
	04895182AF	1							[SDB], Left
	0SG81667								[SDG], Right
	04895183AF	1							[SDG], Left
	0SG81668								Mopar V-Line Alternative Part
	04895560AB	1							[SDE], Right
	04895561AB	1							[SDE], Left
2	04782228AA	1							ISOLATOR, Front Suspension
									SpringLower
3	06502525	1							NUT, Hex Lock, M14 x 2.00, Mount to Strut Damper Rod
4									SPRING, Front Coil
	04782084AB	1							[SDC, ZND, ZAD] [SDD, ZBD, ZPD] [SDG, ZRD, ZCD]
	04782085AB	1							[SDC, ZNE, ZAE] [SDD, ZPE, ZBE] [SDG, ZRE, ZCE]

CONCORDE,INTREPID,VISION,300M,NEW YORKER,LHS (LH)

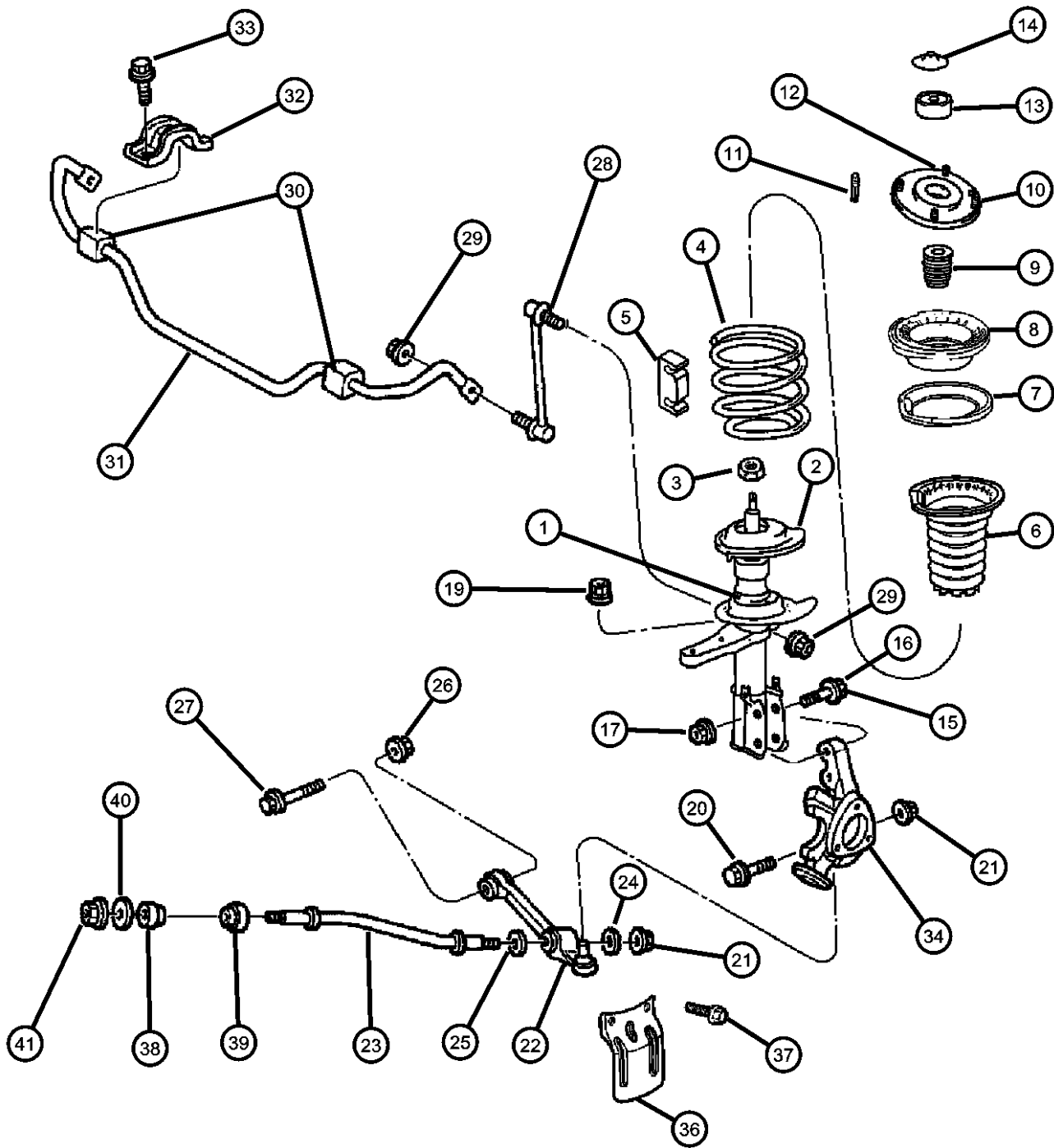
SERIES	LINE	BODY
P = Limited	C = Concorde	41 = 4 Door Sedan
S = 300M	E = 300M	
H = SE	H = Chrysler Intrepid	
M = LXI	D = Dodge Intrepid	
X = 300M Special		

ENGINE	TRANSMISSION
EER = Engine - 2.7L V6 DOHC 24 Valve MPI	DGX = Transmission - 4-Speed Automatic
EGC = Engine - "Magnum" 3.5L V6 SOHC 24V	DG0 = All Automatic Transmissions
EGG = Engine - 3.5L High Output V6 24V MPI	
EGJ = Engine - 3.5L V6 SOHC 24 Valve	
EGK = Engine - 3.5L High Output V6 24V MPI	

AR = use ase required - = Non illustrated part

2004 LH

Suspension, Front
Figure 2-110



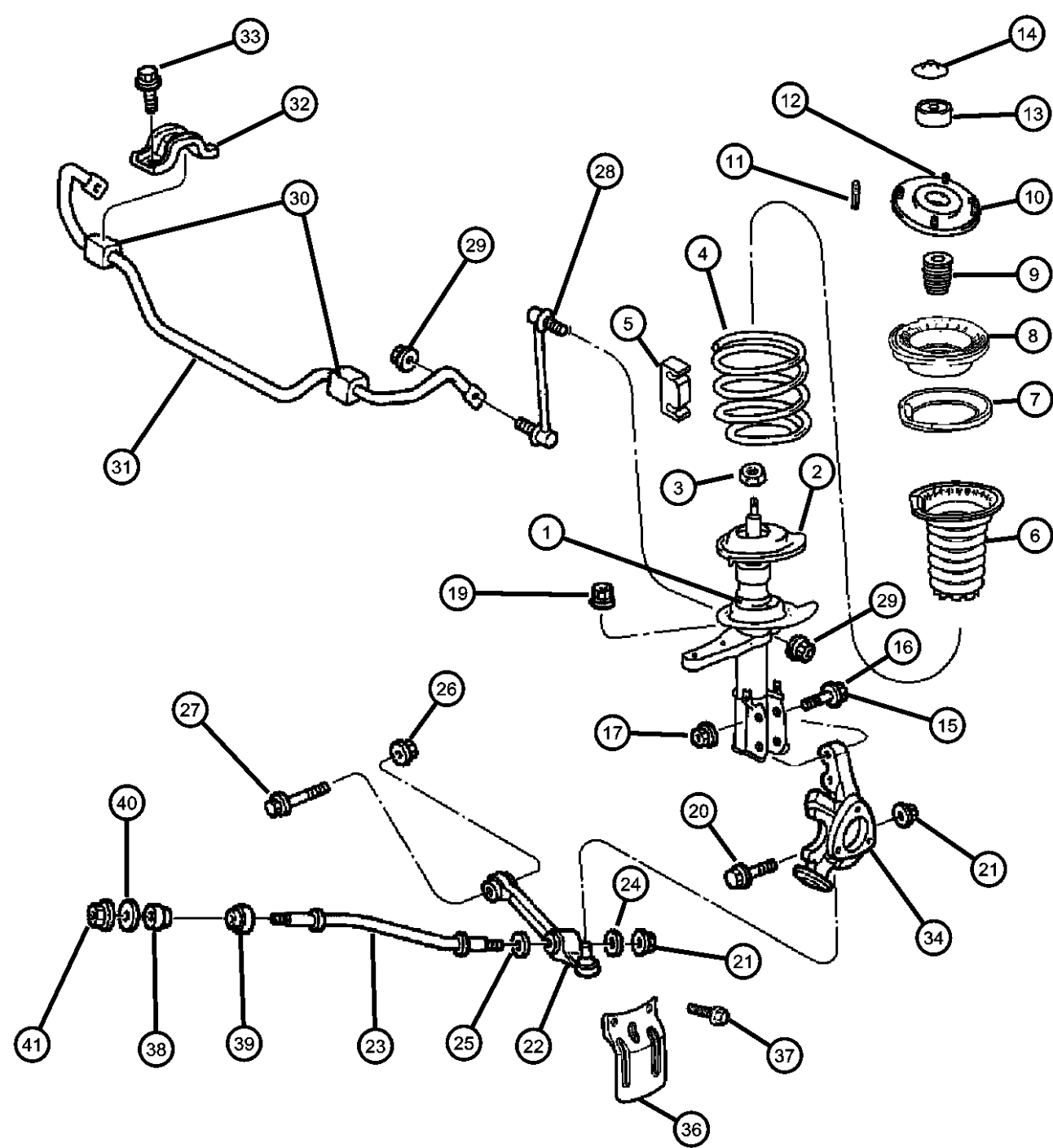
ITEM	PART NUMBER	QTY	LINE	SERIES	BODY	ENGINE	TRANS	TRIM	DESCRIPTION
	04782775AA	1							[SDB, ZTK, ZEK]
	04895686AA	1							[SDE, ZDJ, ZSJ]
5	04782771AA	4	Y						SPACER, Shock Absorber Bushing
6	04782335AA	1							SHIELD, Suspension
7	04782233AA	1							ISOLATOR, Front Suspension
8	04782016	1							SpringUpper SEAT AND BEARING, Suspension Strut
9									BUMPER, Jounce
	04782017	1							[SDA] [SDC]
	04782112	1							[SDD] [SDG] [SDB]
	04895562AA	1							[SDE]
10									MOUNT, Strut
	04782018AB	1							Right
	04782019AB	1							Left
11	04782019AB	1							PIN, Front Strut Alignment, (NOT SERVICED)
12	06501483	8							NUT, Hex Flange, M8x1.25, Strut to Tower
13	04782238AB	1							CUP, Jounce Bumper
14	04616748AB	2							CAP, Strut Mount
15	06502630	4							BOLT, Hex Head, M16x2.00x75, Knuckle to Strut Mounting
16	06505362AA	AR							BOLT, Knuckle to Strut Mounting-CAMBER REPAIR
17									NUT
	06504707	4							Strut to Knuckle Mounting
	06505363AA	AR							Strut to Knuckle Mounting-CAMBER REPAIR
-18	05016903AA	AR							SHIM, Knuckle to Strut Mounting-REPAIR
19	06502544	2							NUT, Hex Lock, M10x1.25, Tie Rod to Strut
20	06502411	2							SCREW, Hex Head, M12-1.75x55, Knuckle Lower Control Arm
21	06502526	2							NUT, Hex Locking, M12x1.75, Knuckle Lower Control Arm

CONCORDE,INTREPID,VISION,300M,NEW YORKER,LHS (LH)

SERIES	LINE	BODY
P = Limited	C = Concorde	41 = 4 Door Sedan
S = 300M	E = 300M	
H = SE	H = Chrysler Intrepid	
M = LXI	D = Dodge Intrepid	
X = 300M Special		

ENGINE	TRANSMISSION
EER = Engine - 2.7L V6 DOHC 24 Valve MPI	DGX = Transmission - 4-Speed Automatic
EGC = Engine - "Magnum" 3.5L V6 SOHC 24V	DG0 = All Automatic Transmissions
EGG = Engine - 3.5L High Output V6 24V MPI	
EGJ = Engine - 3.5L V6 SOHC 24 Valve	
EGK = Engine - 3.5L High Output V6 24V MPI	

AR = use ase required - = Non illustrated part



ITEM	PART NUMBER	QTY	LINE	SERIES	BODY	ENGINE	TRANS	TRIM	DESCRIPTION
22									ARM, Control
	04616402	1							Right
	04616403	1							Left
23	04782060AB	2							STRUT, Lower Control Arm
24	04616365	2							RETAINER, Strut to Bushing
25	06502420	2							WASHER, Flat, 21mm ID
26	06502502	2							NUT, Hex Flange Lock, M14x2, Lower Control Arm Pivot Bolt
27	06504989AA	2							SCREW AND WASHER, Hex Head, M14-2x95
28	04782254AB	1							LINK, Sway Eliminator
29	06502724	2							NUT, Hex Flange, M12x1.75
30									ISOLATOR
	04772541AB	2							[SDG], Sway Bar To Frame
	04782302AA	2							[SDA] [SDC] [SDD], Sway Bar To Frame
	04782859AA	2							[SDE] [SDB], Sway Bar To Frame
31									BAR, Front Sway
	04782282AA	1							[SDG]
	04782303AA	1							[SDA] [SDC] [SDD]
	04782858AA	1							[SDB] [SDE]
32	04772487	2							CLAMP, Stabilizer Bar
33	06502717	4							SCREW AND WASHER, Hex Head, M10x1.5x50
34									KNUCKLE, Front
	04782124AC	1							[BR4, SDC, SDD, SDG] [BR3] [BR5] [BRW], Right
	04782125AC	1							[BR4, SDC, SDD, SDG] [BR3] [BR5] [BRW], Left
	04879412AA	1							[BR4, SDE] [BR6], Right
	04879413AA	1							[BR4, SDE] [BR6], Left
-35									BRACKET
	05016901AA	AR							Repair-Knuckle to Strut mounting, Left

CONCORDE,INTREPID,VISION,300M,NEW YORKER,LHS (LH)

SERIES LINE BODY
 P = Limited C = Concorde 41 = 4 Door Sedan
 S = 300M E = 300M
 H = SE H = Chrysler Intrepid
 M = LXI D = Dodge Intrepid
 X = 300M Special

ENGINE TRANSMISSION
 EER = Engine - 2.7L V6 DOHC 24 Valve MPI DGX = Transmission - 4-Speed
 EGC = Engine - "Magnum" Automatic
 3.5L V6 SOHC 24V DG0 = All Automatic Transmissions
 EGG = Engine - 3.5L High Output V6 24V MPI
 EGJ = Engine - 3.5L V6 SOHC 24 Valve
 EGK = Engine - 3.5L High Output V6 24V MPI

AR = use ase required - = Non illustrated part