

VIN PLATE DECODING INFORMATION

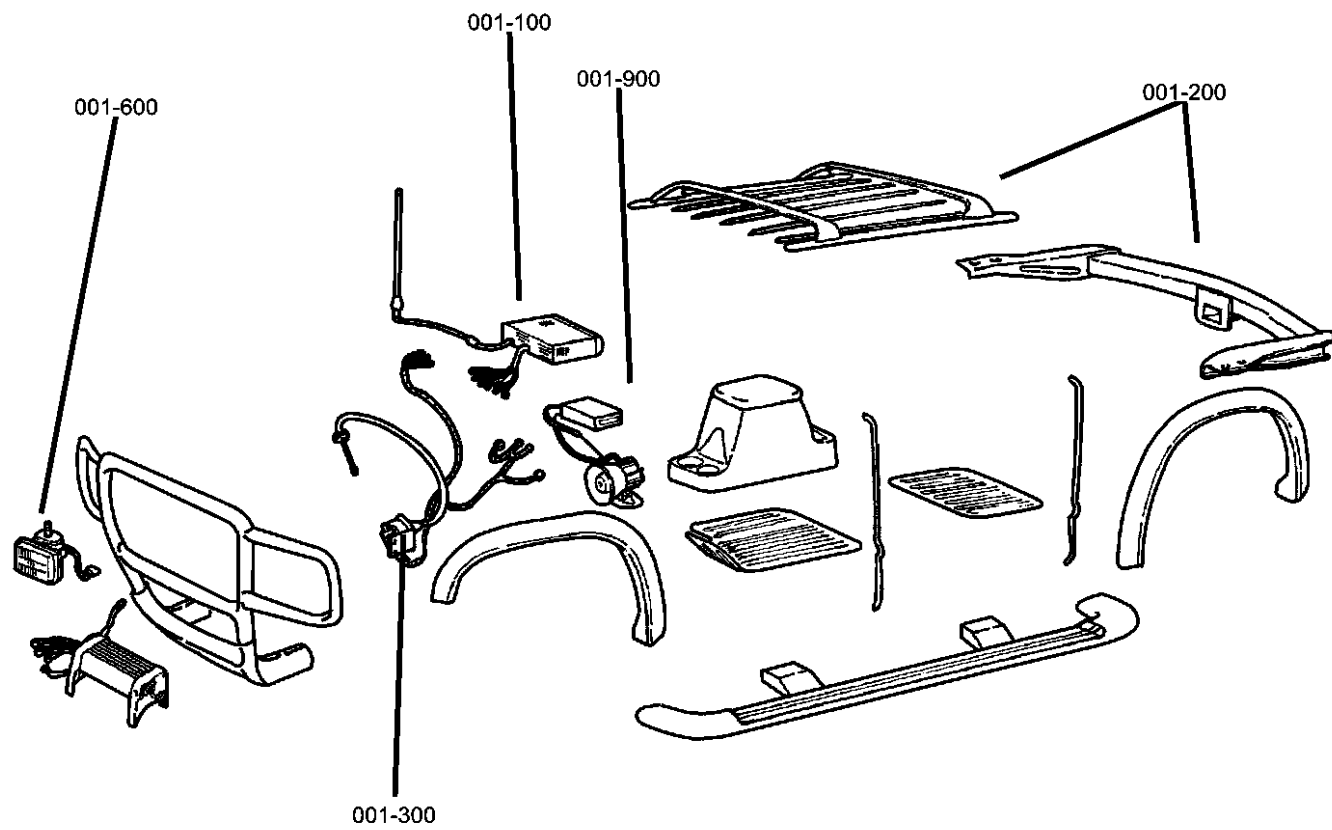
1	2	3	4	5	6	7	8	9	10	11	12 thru 17
Country	Make	Vehicle Type	Other	Line	Series	Body Style	Engine	Check Digit	Model Year	Assy. Plant	Sequence No.

The following table interprets the VIN Plate position shown above.

Position	Interpretation	Codes = Description
1	Country of Origin	2 = Built in Canada by DaimlerChrysler Canada Inc
2	Assembler	C = Chrysler B = Dodge
3	Vehicle Type	3 = Passenger Car
4	GVWR & Pass. Safety	H = Restraint System Active Driver & Passenger Air Bags (CGW) A = Restraint System Active Front & Side Air Bags (CGS) B = Restraint System Manual/Active Uni-belt (CGA) D = Restraint System w/o Air Bags (CGJ)
5	Vehicle Line	E = Chrysler 300M C = Chrysler Concorde H = Chrysler Intrepid (Canada) D = Dodge Intrepid (U.S., Mexico & BUX w/MUD)
6	Series	3 = Concorde LXi 4 = Concorde LX/Intrepid SE 5 = Intrepid ES/SXT 5 = Concorde Limited 6 = 300M w/o ABB 6 = * = 300M w/ABB 7 = 300M Special
7	Body Style	6 = 4 Door Sedan
8	Engine	K = 3.5L HO 6 Cyl. 24V MPI (EGK) R = 2.7L 6 cyl. DOHC FF (EER) M = 3.5L 6 Cyl. 24V (EGJ) G = 3.5L 6 cyl. 24V (EGG) V = 3.5L 6 cyl. 24V SOHC Magnum (EGC)
9	Check Digit	0 = Check Digit 0 = Check Digit
10	Model Year	3 = 2003
11	Assembly Plant	H = Brampton Assembly
12 thru 17	Vehicle Build Sequence	Model Year Assembly Sequence

Group - 1

Component Parts for Mopar Accessories



Group - 1 Component Parts for Mopar Accessories

Group-Fig. No.

Illustration Title

Audio & Electronics

Player Kit - CD Changer 6 Disc Fig. 1 - 110
 Navigation Kit Fig. 1 - 140

Carriers & Cargo Hauling

Bike Carrier - Hitch Mount Fig. 1 - 210
 Bike Carrier - Roof Fig. 1 - 212
 Bike Carrier - Roof Fig. 1 - 214
 Ski Carrier - Roof Fig. 1 - 224
 Rack Kit - Roof Fig. 1 - 230
 Luggage Carrier Fig. 1 - 235
 Trailer Tow Harness Fig. 1 - 290

Driving Convenience


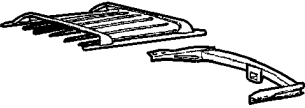
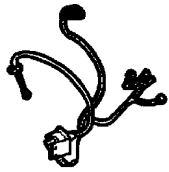

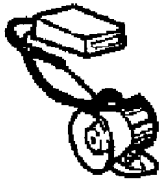
Mounting Kit - Cell Phone Fig. 1 - 330

Fog Lights & Electrical

Heater Kit - Engine and Battery Fig. 1 - 610

Security

Alarm - EVSII Fig. 1 - 914
 Module Package - Keyless Entry Fig. 1 - 920

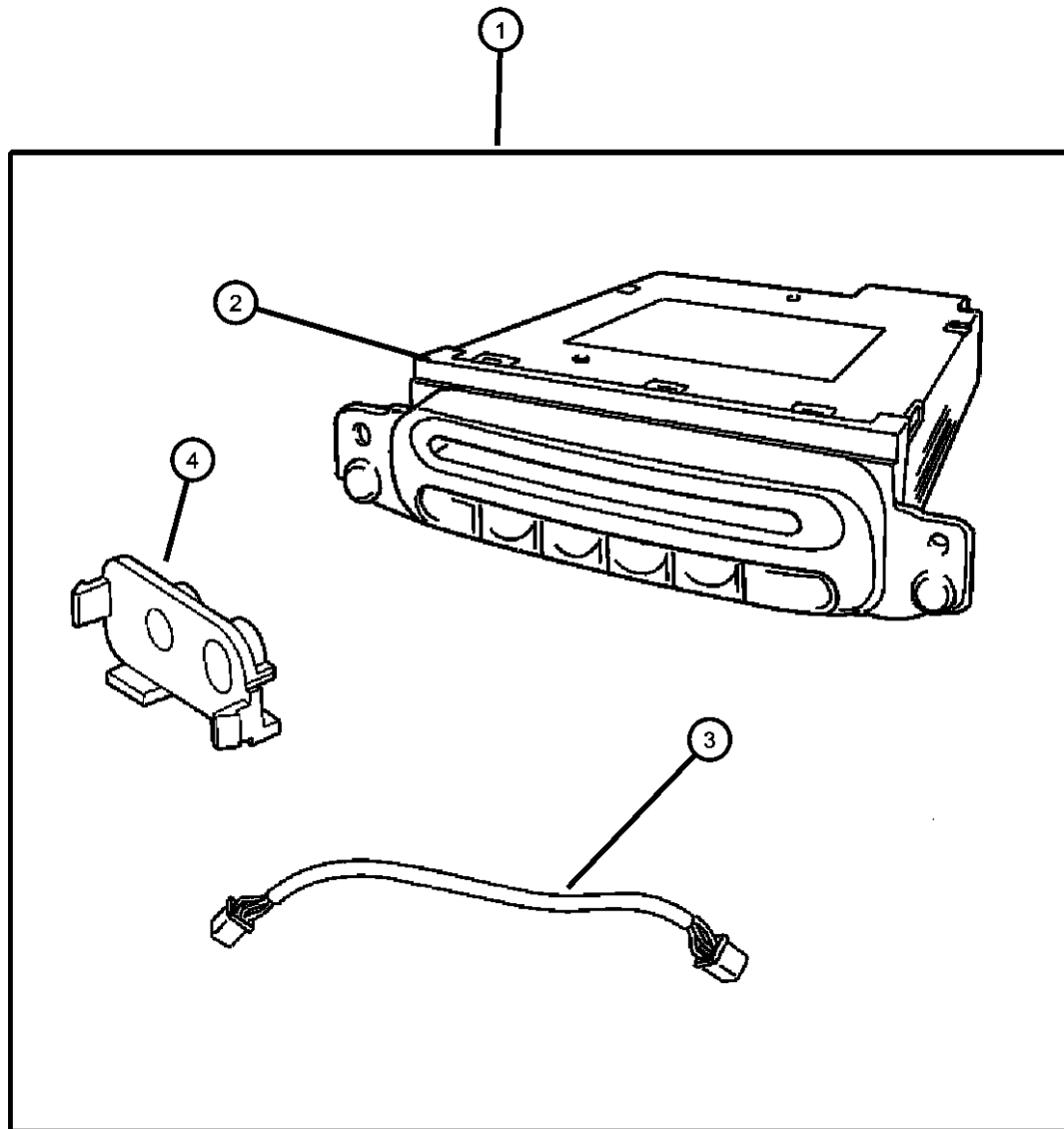
<p>001-100 Audio & Electronics</p> 	<p>001-200 Carriers & Cargo Hauling</p> 	<p>001-300 Driving Convenience</p> 	<p>001-600 Fog Lights & Electrical</p> 
<p>001-900 Security</p> 			

Player Kit - CD Changer 6 Disc
Figure 1-110

ITEM	PART NUMBER	QTY	LINE	SERIES	BODY	ENGINE	TRANS	TRIM	DESCRIPTION
------	-------------	-----	------	--------	------	--------	-------	------	-------------

Note: For Warranty Order Item #2 use a Z prefix through [GPOP]

1	82207875	1							PLAYER KIT, CD Changer - 6 Disc
2	82207875	1							CHANGER, CD, (NOT SERVICED)
3	04671841AA	1							WIRING, Compact Disc Changer
4	04595829AA	1	D						ADAPTOR, CD changer



CONCORDE,INTREPID,VISION,300M,NEW YORKER,LHS (LH)

SERIES	LINE	BODY
P = Limited/ES	H = Chrysler Intrepid	41 = 4 Door Sedan
S = 300M	D = Dodge Intrepid	
H = SE	C = Concorde	
M = LXI	E = 300M	
X = 300M Special		

ENGINE	TRANSMISSION
EER = Engine - 2.7L V6 DOHC 24 Valve MPI	DGX = Transmission - 4-Speed Automatic
EGC = Engine - "Magnum" 3.5L V6 SOHC 24V	DG0 = All Automatic Transmissions
EGG = Engine - 3.5L High Output V6 24V MPI	
EGJ = Engine - 3.5L V6 SOHC 24 Valve	
EGK = Engine - 3.5L High Output V6 24V MPI	

AR = use ase required - = Non illustrated part

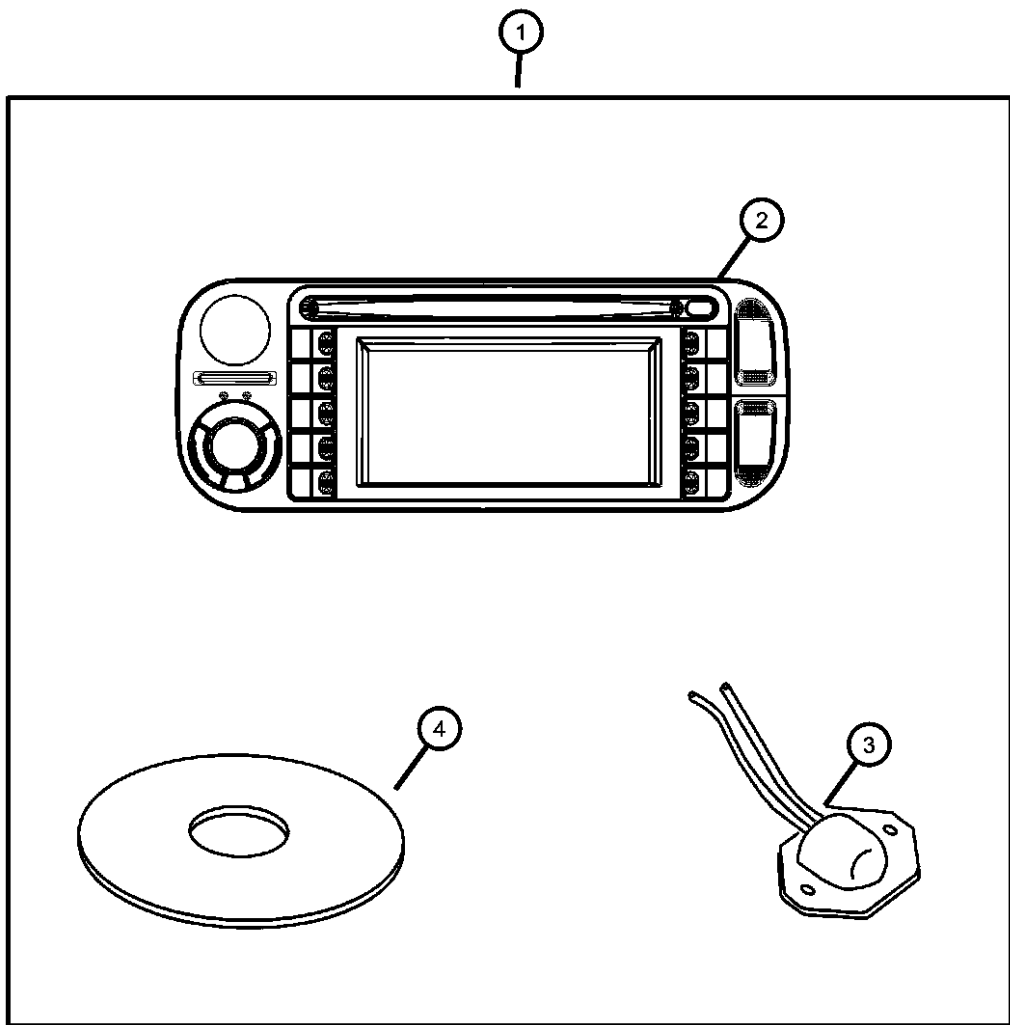
2003 LH

**Navigation Kit
Figure 1-140**

ITEM	PART NUMBER	QTY	LINE	SERIES	BODY	ENGINE	TRANS	TRIM	DESCRIPTION
------	-------------	-----	------	--------	------	--------	-------	------	-------------

Note: For warranty order item #2 use a Z prefix through funtion 11
 For Geographic Map Database item #4 call Toll Free 1-866-733-5492
 Credit Card is required for this transaction.

1	82206406	1							RADIO, AM/FM CD W/NAV/DVD & CD-CTRL
2	56038629AC	1							RADIO, AM/FM CD W/NAV/DVD & CD-CTRL
3	56038630AA	1							ANTENNA, GPS
4	56038642AA	1							DVD, Geographic Database



CONCORDE,INTREPID,VISION,300M,NEW YORKER,LHS (LH)

SERIES	LINE	BODY
P = Limited/ES	H = Chrysler Intrepid	41 = 4 Door Sedan
S = 300M	D = Dodge Intrepid	
H = SE	C = Concorde	
M = LXI	E = 300M	
X = 300M Special		

ENGINE	TRANSMISSION
EER = Engine - 2.7L V6 DOHC 24 Valve MPI	DGX = Transmission - 4-Speed Automatic
EGC = Engine - "Magnum" 3.5L V6 SOHC 24V	DG0 = All Automatic Transmissions
EGG = Engine - 3.5L High Output V6 24V MPI	
EGJ = Engine - 3.5L V6 SOHC 24 Valve	
EGK = Engine - 3.5L High Output V6 24V MPI	

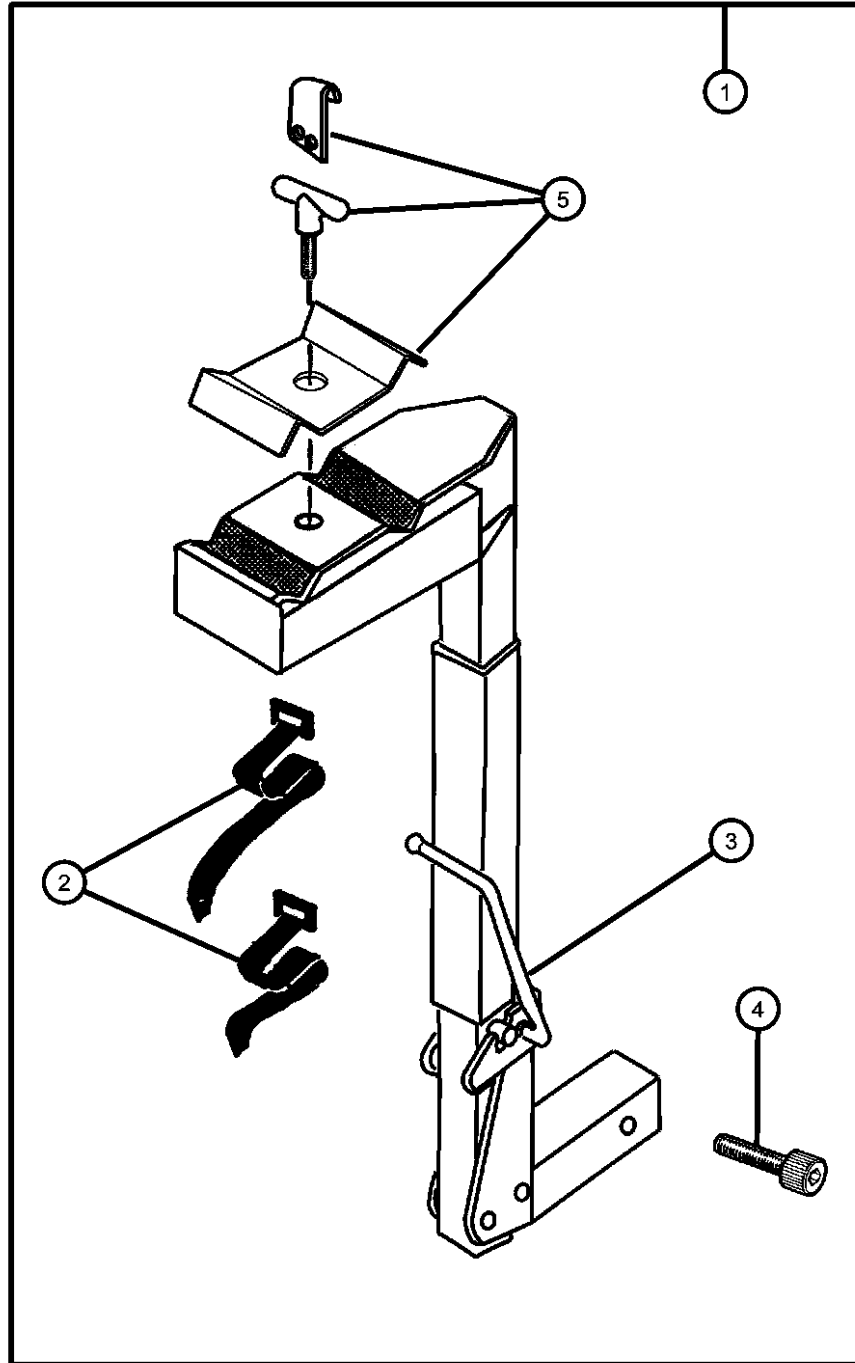
AR = use ase required - = Non illustrated part

2003 LH

Bike Carrier - Hitch Mount
Figure 1-210

ITEM	PART NUMBER	QTY	LINE	SERIES	BODY	ENGINE	TRANS	TRIM	DESCRIPTION
------	-------------	-----	------	--------	------	--------	-------	------	-------------

NOTE: Folds down for access to rear deck, has anti theft bolts.



1	82204452	1							CARRIER KIT, Bike
2	04762880	1							STRAP KIT, Velcro, Contains: 1-Long and 1-Short Strap
3	05016775AA	1							STRAP KIT, Bike Carrier Latch, Contains: 2-Rubber Straps
4	05016774AA	1							BOLT KIT, Security
5	05018825AA	1							HARDWARE KIT, Bike Carrier, Contains: T-Handle, Top Clamp and Nylon Washer

CARRIER KIT, Bike
STRAP KIT, Velcro, Contains: 1-Long and 1-Short Strap
STRAP KIT, Bike Carrier Latch, Contains: 2-Rubber Straps
BOLT KIT, Security
HARDWARE KIT, Bike Carrier, Contains: T-Handle, Top Clamp and Nylon Washer

CONCORDE,INTREPID,VISION,300M,NEW YORKER,LHS (LH)

SERIES	LINE	BODY
P = Limited/ES	H = Chrysler Intrepid	41 = 4 Door Sedan
S = 300M	D = Dodge Intrepid	
H = SE	C = Concorde	
M = LXI	E = 300M	
X = 300M Special		

ENGINE	TRANSMISSION
EER = Engine - 2.7L V6 DOHC 24 Valve MPI	DGX = Transmission - 4-Speed Automatic
EGC = Engine - "Magnum" 3.5L V6 SOHC 24V	DG0 = All Automatic Transmissions
EGG = Engine - 3.5L High Output V6 24V MPI	
EGJ = Engine - 3.5L V6 SOHC 24 Valve	
EGK = Engine - 3.5L High Output V6 24V MPI	

AR = use ase required - = Non illustrated part

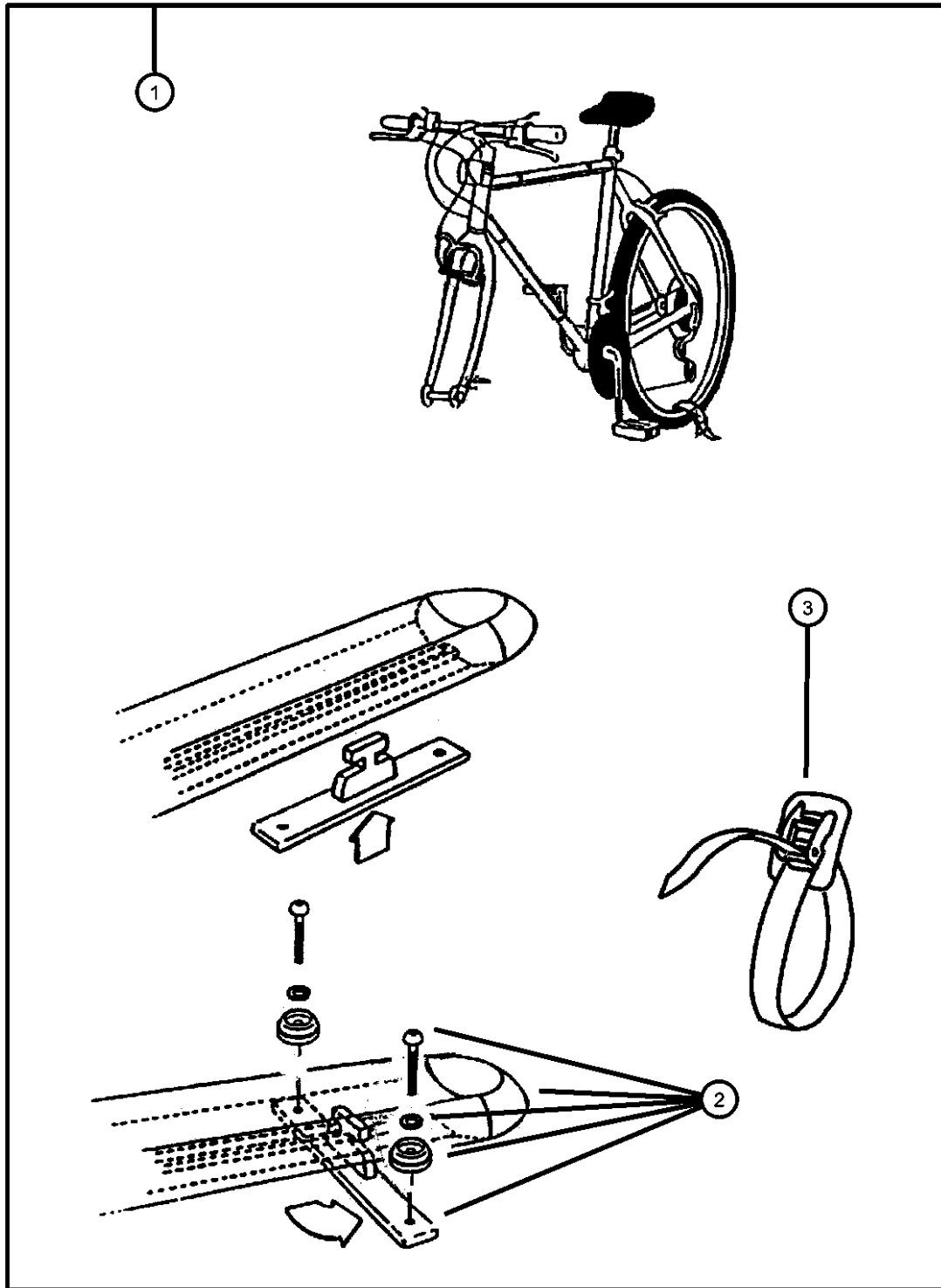
2003 LH

Bike Carrier - Roof
Figure 1-212

ITEM	PART NUMBER	QTY	LINE	SERIES	BODY	ENGINE	TRANS	TRIM	DESCRIPTION
------	-------------	-----	------	--------	------	--------	-------	------	-------------

NOTE: Hardware Kit also contained in Carrier Kit.

1	82300585	1							CARRIER KIT, Bike, Fork - Mount
2	05093779AA	1							HARDWARE KIT, Accessory, Contains: 2-T-Slot Anchors, 1-Rear T-Slot Bar, 4-Button Head Screws, 2-Lock Washers and 4-Dome Washers
3	05016513AA	1							STRAP, Cargo Tie Down, Consists of: 2- Straps
-4	05066632AA	1							TOOL, Screw Driver



CONCORDE,INTREPID,VISION,300M,NEW YORKER,LHS (LH)

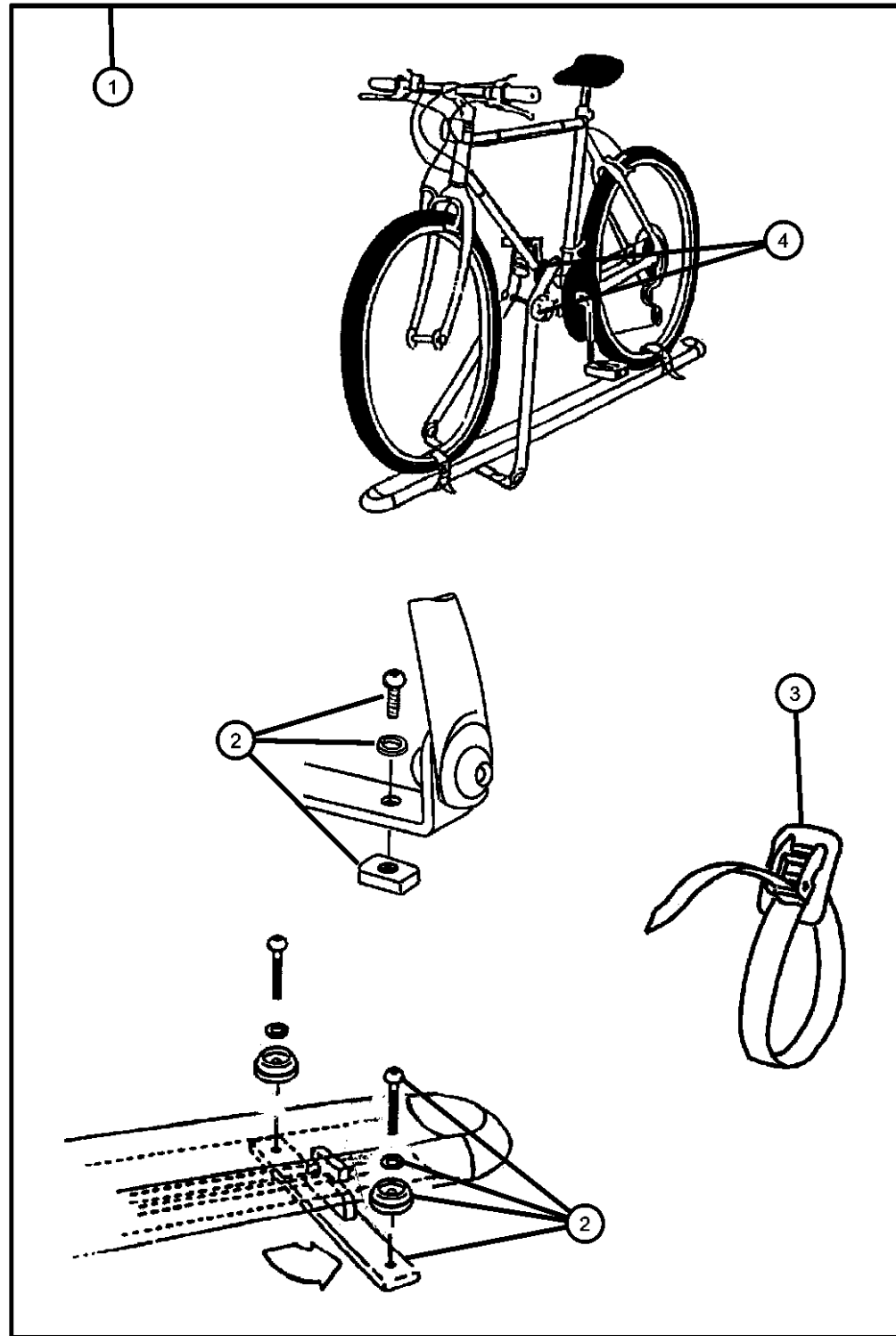
SERIES	LINE	BODY
P = Limited/ES	H = Chrysler Intrepid	41 = 4 Door Sedan
S = 300M	D = Dodge Intrepid	
H = SE	C = Concorde	
M = LXI	E = 300M	
X = 300M Special		

ENGINE	TRANSMISSION
EER = Engine - 2.7L V6 DOHC 24 Valve MPI	DGX = Transmission - 4-Speed Automatic
EGC = Engine - "Magnum" 3.5L V6 SOHC 24V	DG0 = All Automatic Transmissions
EGG = Engine - 3.5L High Output V6 24V MPI	
EGJ = Engine - 3.5L V6 SOHC 24 Valve	
EGK = Engine - 3.5L High Output V6 24V MPI	

AR = use ase required - = Non illustrated part

2003 LH

Bike Carrier - Roof
Figure 1-214



ITEM	PART NUMBER	QTY	LINE	SERIES	BODY	ENGINE	TRANS	TRIM	DESCRIPTION
1	82203471	1							CARRIER KIT, Bike, Upright - Mount
2	05093779AA	1							HARDWARE KIT, Accessory, Contains: 2-T-Slot Anchors, 1-Rear T-Slot Bar, 4-Button Head Screws, 2-Lock Washers and 4-Dome Washers
3	05016513AA	1							STRAP, Cargo Tie Down
4	05018194AA	1							HARDWARE KIT, Bike Carrier, 1 CARRIAGE BOLT, CARRIAGE BOLT BUSHING ADJUSTMENT KNOB 2 ADJUSTMENT KNOB BUSHINGS BIKE TUBE PAD, 2 BUTTON HEAD SCREW(M6X1.0X30MM) 2 NYLON WASHERS AND SPRING TOOL, Screw Driver
-5	05066632AA	1							

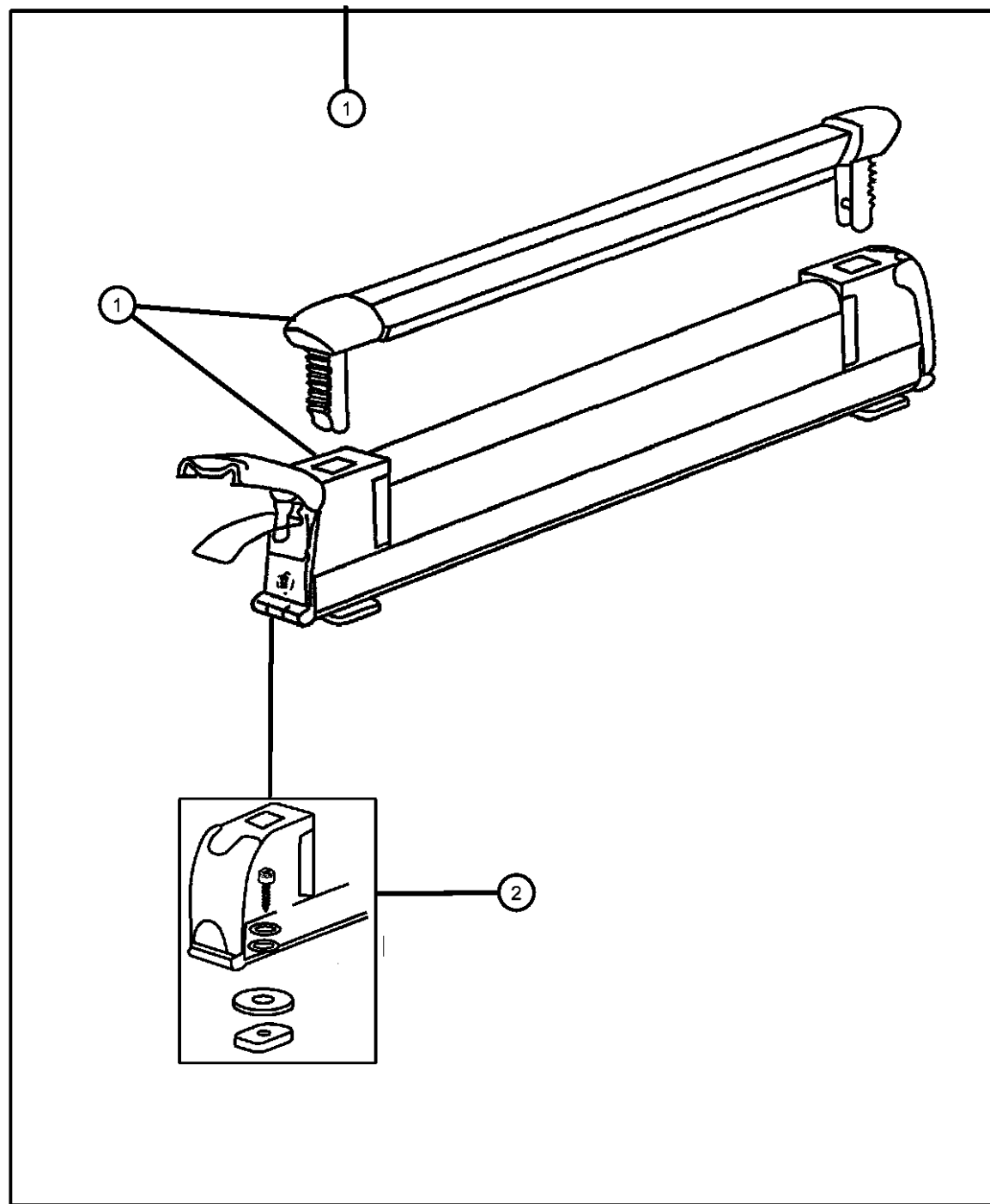
CONCORDE,INTREPID,VISION,300M,NEW YORKER,LHS (LH)

SERIES	LINE	BODY
P = Limited/ES	H = Chrysler Intrepid	41 = 4 Door Sedan
S = 300M	D = Dodge Intrepid	
H = SE	C = Concorde	
M = LXI	E = 300M	
X = 300M Special		

ENGINE	TRANSMISSION
EER = Engine - 2.7L V6 DOHC 24 Valve MPI	DGX = Transmission - 4-Speed Automatic
EGC = Engine - "Magnum" 3.5L V6 SOHC 24V	DG0 = All Automatic Transmissions
EGG = Engine - 3.5L High Output V6 24V MPI	
EGJ = Engine - 3.5L V6 SOHC 24 Valve	
EGK = Engine - 3.5L High Output V6 24V MPI	

AR = use ase required - = Non illustrated part

Ski Carrier - Roof
Figure 1-224



ITEM	PART NUMBER	QTY	LINE	SERIES	BODY	ENGINE	TRANS	TRIM	DESCRIPTION
1	82207308	1							CARRIER KIT, Ski
	82207312	1							6 Pair
									3 Pair
2	05086158AA	1							HARDWARE KIT, Accessory, Contains: 4 - 25MM Screws, 4 - 20M Screws, 4 - 16MM Screws, 4 - Lock Washers, 4 - Flat Washers, 4 - T Plates, 4 - Rubber Washers
-3	05066632AA	1							TOOL, Screw Driver

CONCORDE,INTREPID,VISION,300M,NEW YORKER,LHS (LH)

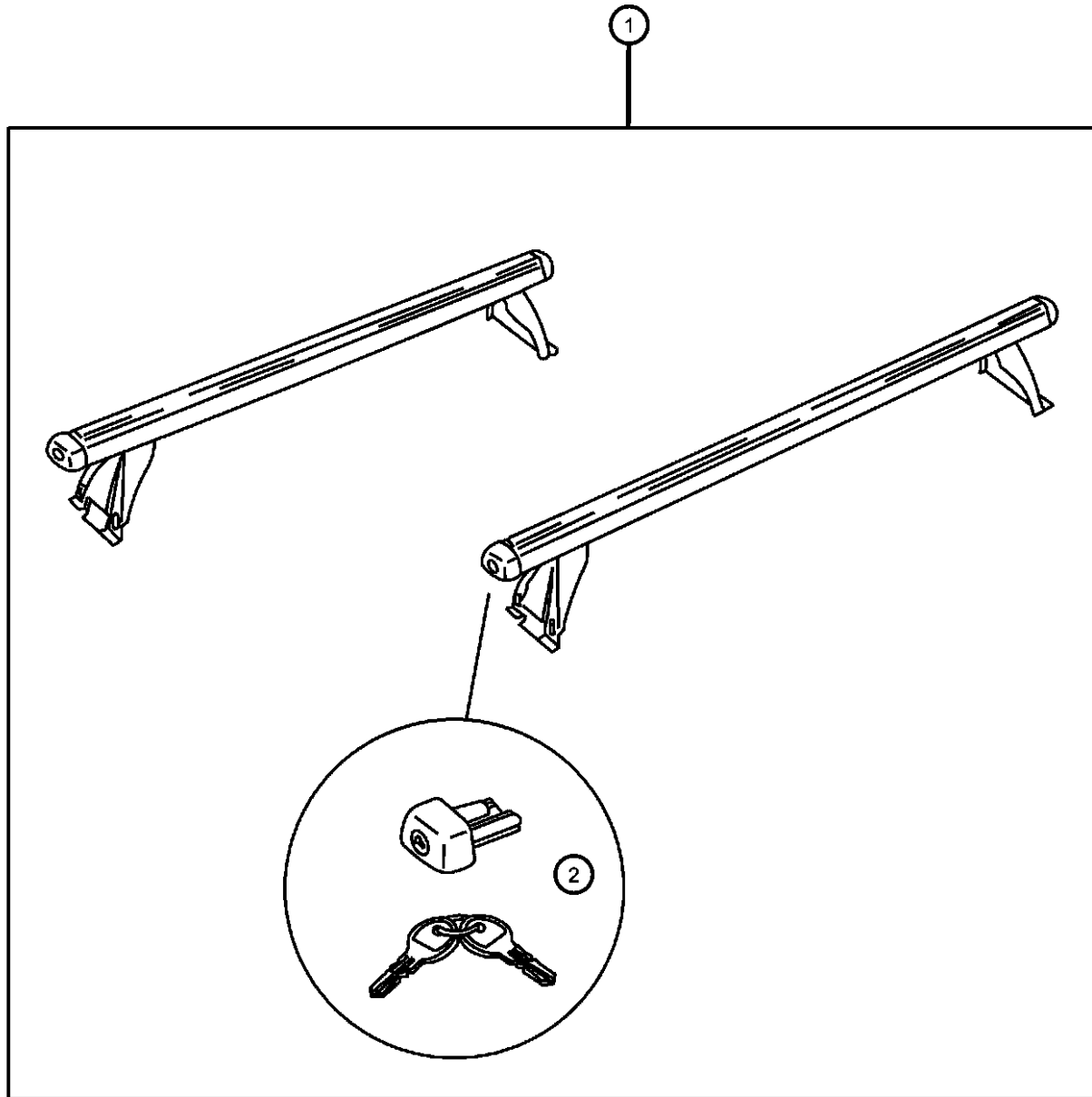
SERIES	LINE	BODY
P = Limited/ES	H = Chrysler Intrepid	41 = 4 Door Sedan
S = 300M	D = Dodge Intrepid	
H = SE	C = Concorde	
M = LXI	E = 300M	
X = 300M Special		

ENGINE	TRANSMISSION
EER = Engine - 2.7L V6 DOHC 24 Valve MPI	DGX = Transmission - 4-Speed Automatic
EGC = Engine - "Magnum" 3.5L V6 SOHC 24V	DG0 = All Automatic Transmissions
EGG = Engine - 3.5L High Output V6 24V MPI	
EGJ = Engine - 3.5L V6 SOHC 24 Valve	
EGK = Engine - 3.5L High Output V6 24V MPI	

AR = use ase required - = Non illustrated part

Rack Kit - Roof
Figure 1-230

ITEM	PART NUMBER	QTY	LINE	SERIES	BODY	ENGINE	TRANS	TRIM	DESCRIPTION
1	82206610	1			41				RACK KIT, Multipurpose, Multipurpose
2	05072276AA	1	Y		41				END CAP, Roof Rack Side Rail, With set of keys
-3	05066632AA	1	Y		41				TOOL, Screw Driver



CONCORDE,INTREPID,VISION,300M,NEW YORKER,LHS (LH)

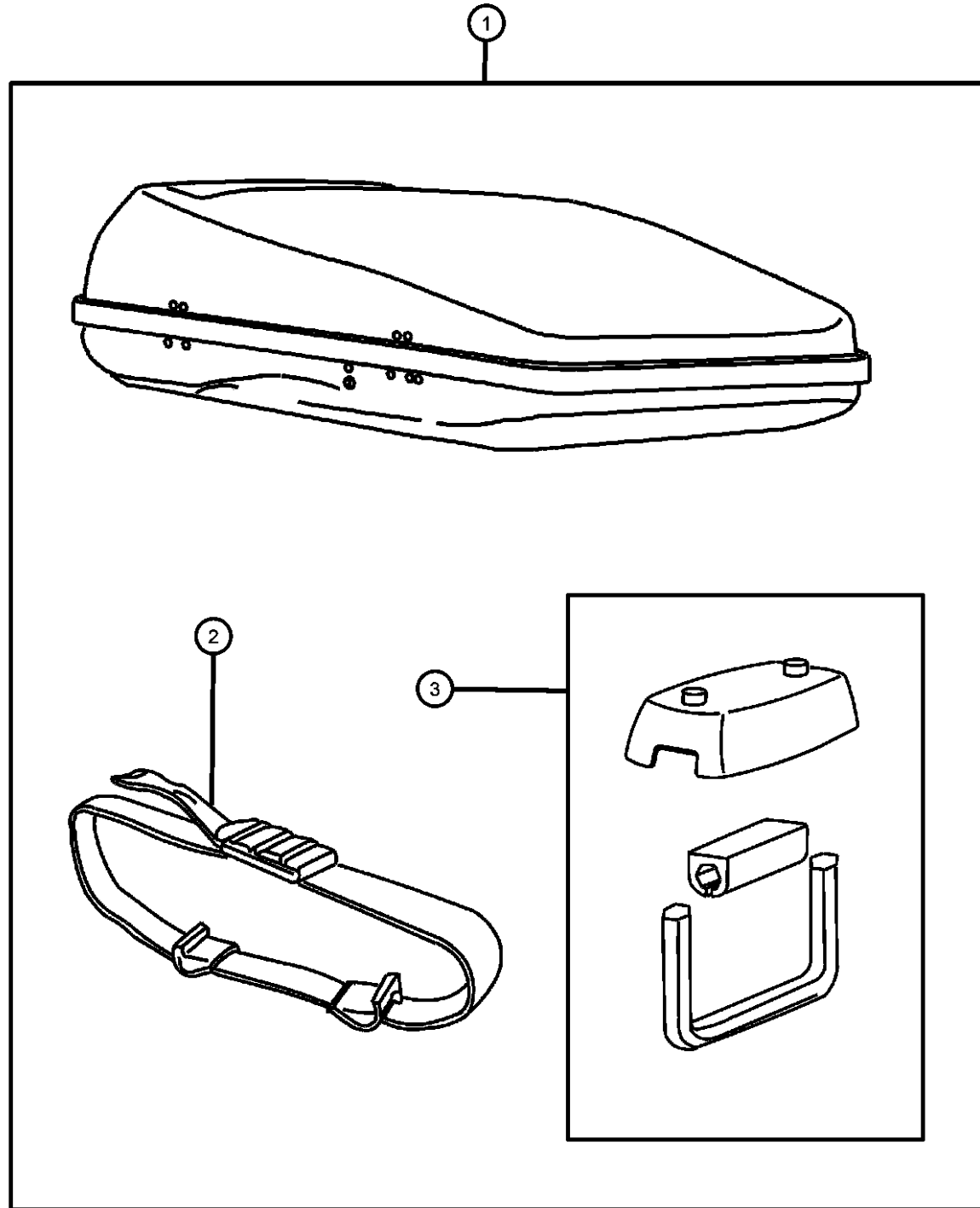
SERIES	LINE	BODY
P = Limited/ES	H = Chrysler Intrepid	41 = 4 Door Sedan
S = 300M	D = Dodge Intrepid	
H = SE	C = Concorde	
M = LXI	E = 300M	
X = 300M Special		

ENGINE	TRANSMISSION
EER = Engine - 2.7L V6 DOHC 24 Valve MPI	DGX = Transmission - 4-Speed Automatic
EGC = Engine - "Magnum" 3.5L V6 SOHC 24V	DG0 = All Automatic Transmissions
EGG = Engine - 3.5L High Output V6 24V MPI	
EGJ = Engine - 3.5L V6 SOHC 24 Valve	
EGK = Engine - 3.5L High Output V6 24V MPI	

AR = use ase required - = Non illustrated part

2003 LH

Luggage Carrier
Figure 1-235



ITEM	PART NUMBER	QTY	LINE	SERIES	BODY	ENGINE	TRANS	TRIM	DESCRIPTION
1									CARRIER KIT, Luggage
	82207341	1			41				28'x90' 480L
	82207353	1			41				31'x71' 430L
2	05086160AA	1			41				STRAP, Cargo Tie Down
3	05086159AA	1			41				HARDWARE KIT

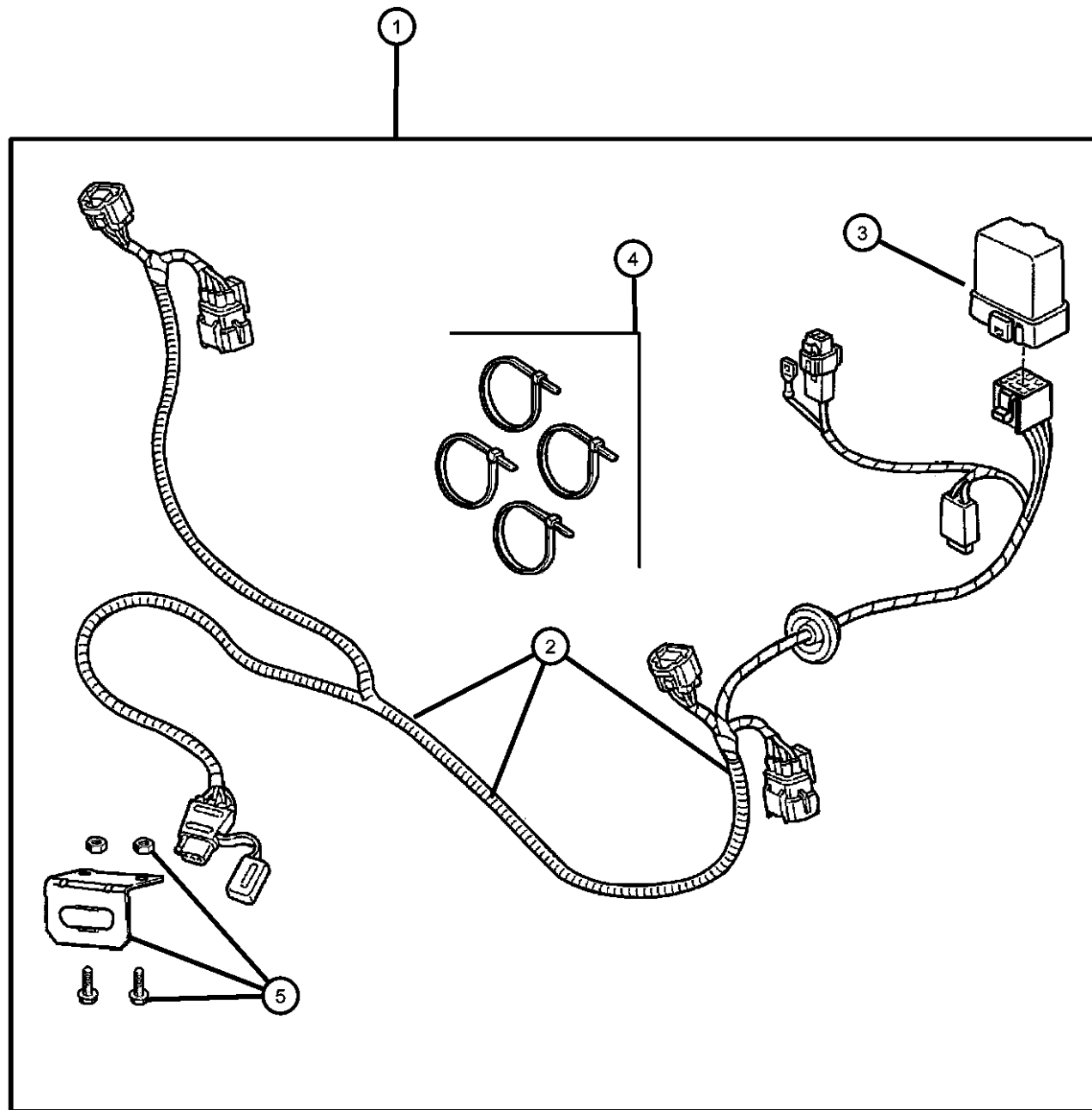
CONCORDE,INTREPID,VISION,300M,NEW YORKER,LHS (LH)

SERIES	LINE	BODY
P = Limited/ES	H = Chrysler Intrepid	41 = 4 Door Sedan
S = 300M	D = Dodge Intrepid	
H = SE	C = Concorde	
M = LXI	E = 300M	
X = 300M Special		

ENGINE	TRANSMISSION
EER = Engine - 2.7L V6 DOHC 24 Valve MPI	DGX = Transmission - 4-Speed Automatic
EGC = Engine - "Magnum" 3.5L V6 SOHC 24V	DG0 = All Automatic Transmissions
EGG = Engine - 3.5L High Output V6 24V MPI	
EGJ = Engine - 3.5L V6 SOHC 24 Valve	
EGK = Engine - 3.5L High Output V6 24V MPI	

AR = use ase required - = Non illustrated part

Trailer Tow Harness
Figure 1-290



ITEM	PART NUMBER	QTY	LINE	SERIES	BODY	ENGINE	TRANS	TRIM	DESCRIPTION
1									WIRING PACKAGE, Trailer Tow
	82204638	1	D, Y		41				Trailer Tow 4 Way
	82204639	1	C		41				Trailer Tow 4 Way
2	82202089	1							WIRING, Trailer Tow, Vehicle and trailer side 4 way flat repair kit
3									MODULE, Lighting Control
	04672295	1	D, Y		41				
		1	C		41				
4									STRAP, Tie
	04641780	1							
	06016155	1	C		41				
5	82204602	1	C, D, Y		41				BRACKET KIT, Trailer Tow, Consists of : L Bracket, 2 Screws, 2 Lock Nuts 4 way flat
-6									WIRING KIT, Trailer Lights
	82206367	1	Y		41				European 13 pin high spec
	82206368	1	Y		41				European 7 pin high spec
	82206369	1	Y		41				European 7 pin Low Spec

CONCORDE,INTREPID,VISION,300M,NEW YORKER,LHS (LH)

SERIES	LINE	BODY
P = Limited/ES	H = Chrysler Intrepid	41 = 4 Door Sedan
S = 300M	D = Dodge Intrepid	
H = SE	C = Concorde	
M = LXI	E = 300M	
X = 300M Special		

ENGINE	TRANSMISSION
EER = Engine - 2.7L V6 DOHC 24 Valve MPI	DGX = Transmission - 4-Speed Automatic
EGC = Engine - "Magnum" 3.5L V6 SOHC 24V	DG0 = All Automatic Transmissions
EGG = Engine - 3.5L High Output V6 24V MPI	
EGJ = Engine - 3.5L V6 SOHC 24 Valve	
EGK = Engine - 3.5L High Output V6 24V MPI	

AR = use ase required - = Non illustrated part

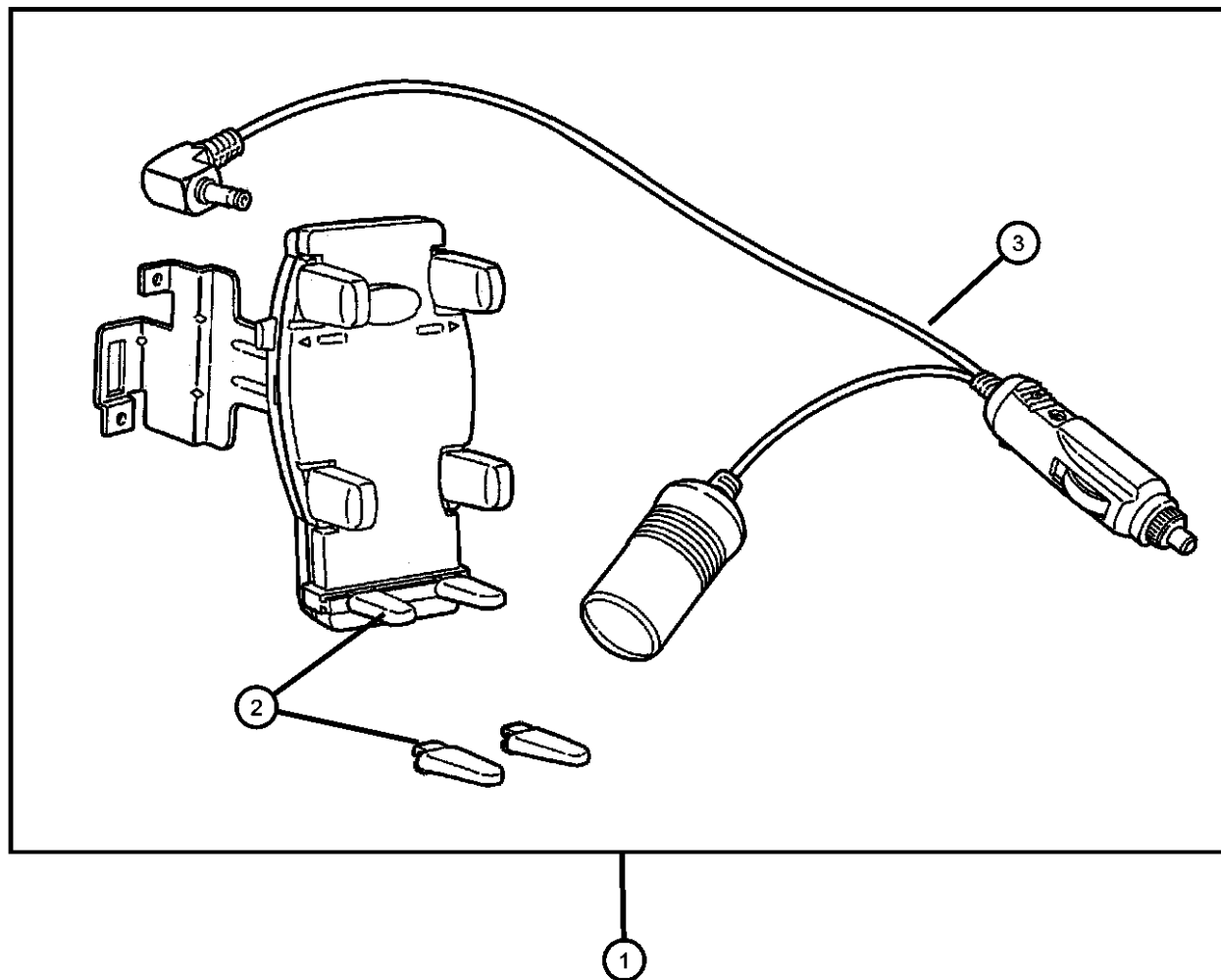
2003 LH

Mounting Kit - Cell Phone
Figure 1-330

ITEM	PART NUMBER	QTY	LINE	SERIES	BODY	ENGINE	TRANS	TRIM	DESCRIPTION
------	-------------	-----	------	--------	------	--------	-------	------	-------------

NOTE: Holds any wireless handset. Installs to instrument panel.

1	82205270	1	C, D, Y		41				MOUNTING KIT, Cellular Phone
2	05018103AA	1	C, D, Y		41				HARDWARE KIT, Accessory
3	05016536AA	1	C, D, Y		41				CORD, Cellular Phone, 18 inch in length, has 'Y' feed for another 12V accessory.



CONCORDE,INTREPID,VISION,300M,NEW YORKER,LHS (LH)

SERIES	LINE	BODY
P = Limited/ES	H = Chrysler Intrepid	41 = 4 Door Sedan
S = 300M	D = Dodge Intrepid	
H = SE	C = Concorde	
M = LXI	E = 300M	
X = 300M Special		

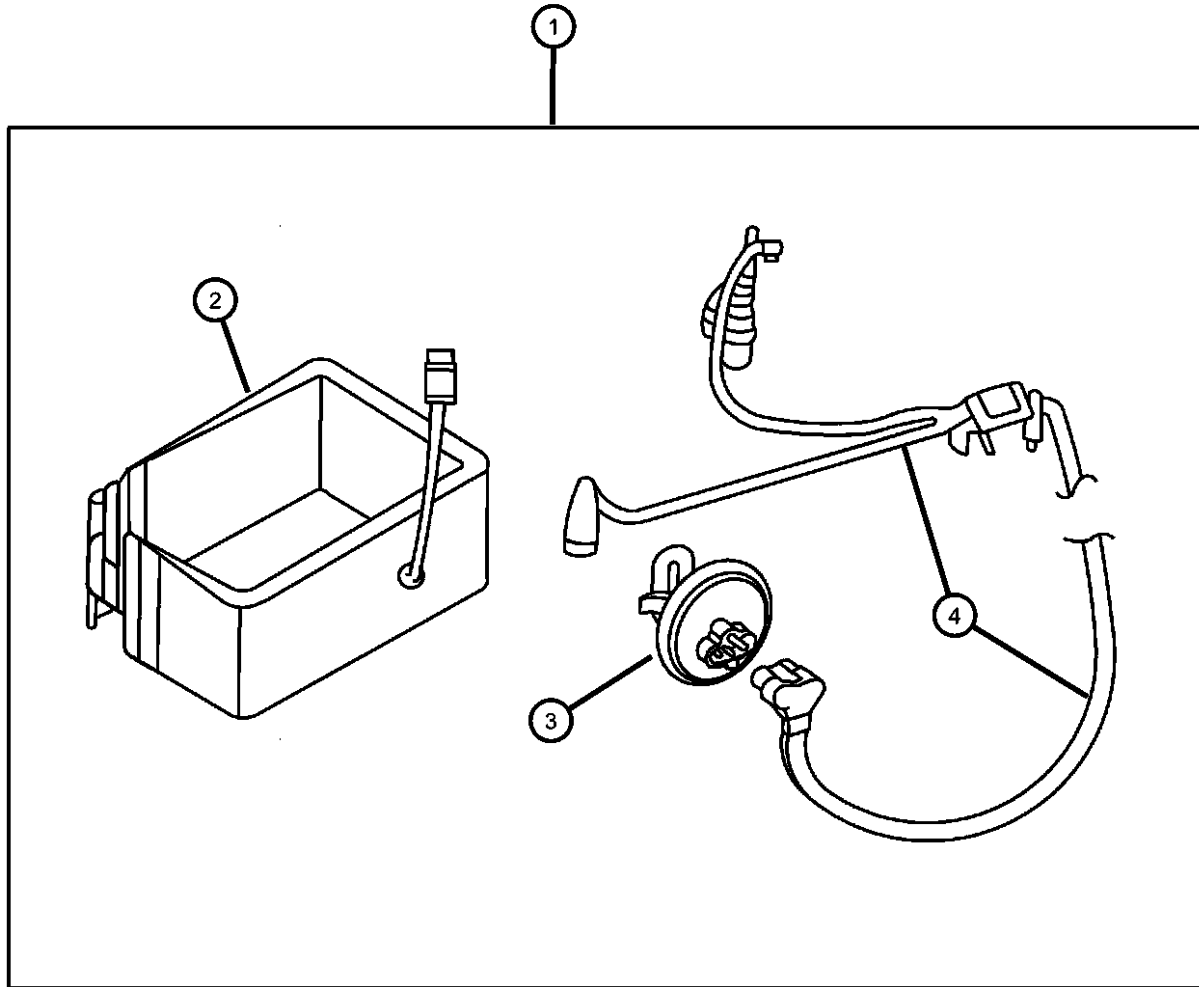
ENGINE	TRANSMISSION
EER = Engine - 2.7L V6 DOHC 24 Valve MPI	DGX = Transmission - 4-Speed Automatic
EGC = Engine - "Magnum" 3.5L V6 SOHC 24V	DG0 = All Automatic Transmissions
EGG = Engine - 3.5L High Output V6 24V MPI	
EGJ = Engine - 3.5L V6 SOHC 24 Valve	
EGK = Engine - 3.5L High Output V6 24V MPI	

AR = use ase required - = Non illustrated part

2003 LH

Heater Kit - Engine and Battery
Figure 1-610

ITEM	PART NUMBER	QTY	LINE	SERIES	BODY	ENGINE	TRANS	TRIM	DESCRIPTION
1	82203641	1	C, D, Y		41				HEATER KIT, Engine and Battery
2	04609098AB	1							HEATER, Battery
3	04609325AB	1							HEATER, Engine Block
4	04609121AD	1							CORD, Engine Block Heater



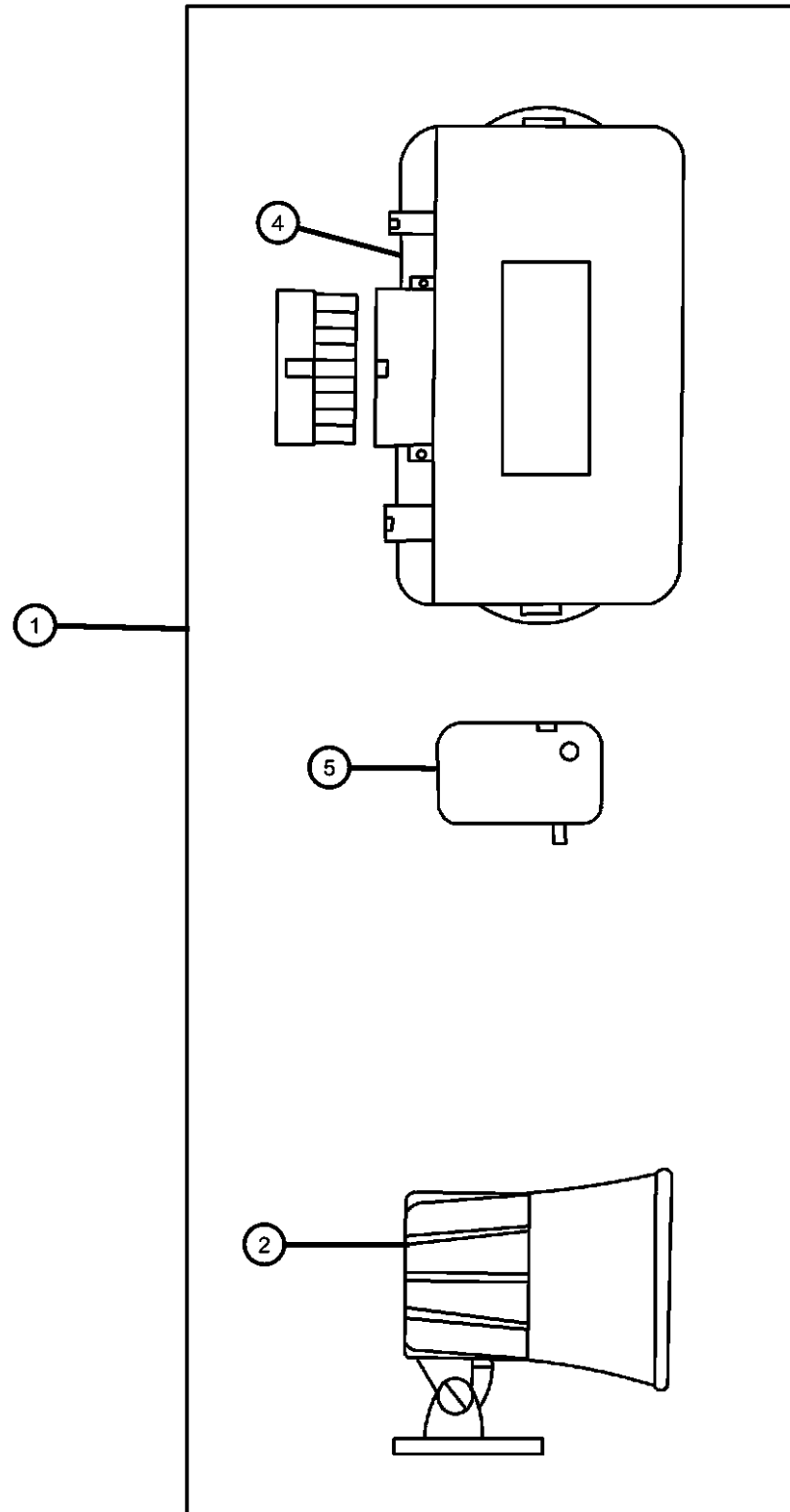
CONCORDE,INTREPID,VISION,300M,NEW YORKER,LHS (LH)

SERIES	LINE	BODY
P = Limited/ES	H = Chrysler Intrepid	41 = 4 Door Sedan
S = 300M	D = Dodge Intrepid	
H = SE	C = Concorde	
M = LXI	E = 300M	
X = 300M Special		

ENGINE	TRANSMISSION
EER = Engine - 2.7L V6 DOHC 24 Valve MPI	DGX = Transmission - 4-Speed Automatic
EGC = Engine - "Magnum" 3.5L V6 SOHC 24V	DG0 = All Automatic Transmissions
EGG = Engine - 3.5L High Output V6 24V MPI	
EGJ = Engine - 3.5L V6 SOHC 24 Valve	
EGK = Engine - 3.5L High Output V6 24V MPI	

AR = use ase required - = Non illustrated part

Alarm - EVSII
Figure 1-914



ITEM	PART NUMBER	QTY	LINE	SERIES	BODY	ENGINE	TRANS	TRIM	DESCRIPTION
1	82204268	1			41				MODULE, Security Alarm
2	82203198	1			41				SIREN, Alarm
-3	04886259AA	1			41				INDICATOR, Valet Status
4	05011619AA	1			41				MODULE, Security Alarm
5	04886260AB	1			41				SENSOR, Shock, With Terminals
-6	82203768	1	C, D, Y		41				WIRING KIT, Alarm Security Plus, Required for Installation

CONCORDE,INTREPID,VISION,300M,NEW YORKER,LHS (LH)

SERIES	LINE	BODY
P = Limited/ES	H = Chrysler Intrepid	41 = 4 Door Sedan
S = 300M	D = Dodge Intrepid	
H = SE	C = Concorde	
M = LXI	E = 300M	
X = 300M Special		

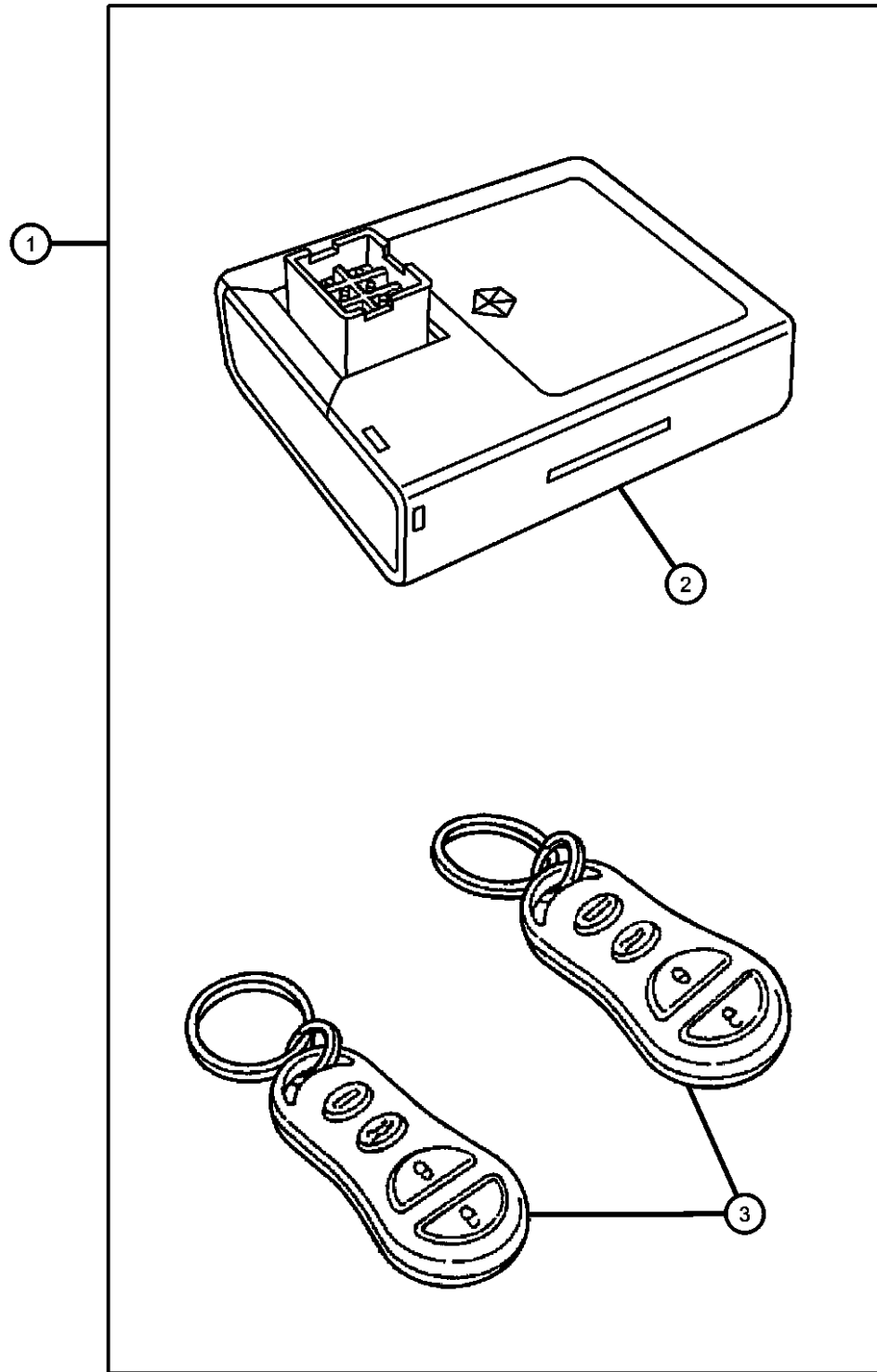
ENGINE	TRANSMISSION
EER = Engine - 2.7L V6 DOHC 24 Valve MPI	DGX = Transmission - 4-Speed Automatic
EGC = Engine - "Magnum" 3.5L V6 SOHC 24V	DG0 = All Automatic Transmissions
EGG = Engine - 3.5L High Output V6 24V MPI	
EGJ = Engine - 3.5L V6 SOHC 24 Valve	
EGK = Engine - 3.5L High Output V6 24V MPI	

AR = use ase required - = Non illustrated part

2003 LH

**Module Package - Keyless Entry
Figure 1-920**

ITEM	PART NUMBER	QTY	LINE	SERIES	BODY	ENGINE	TRANS	TRIM	DESCRIPTION
1	82207513	1							MODULE PACKAGE, Keyless Entry
2	56045755AB	1							RECEIVER, Keyless Entry
3	04602260AA	2							TRANSMITTER, Keyless Entry
-4	83504802	2							BATTERY, Transmitter



CONCORDE,INTREPID,VISION,300M,NEW YORKER,LHS (LH)

SERIES	LINE	BODY
P = Limited/ES	H = Chrysler Intrepid	41 = 4 Door Sedan
S = 300M	D = Dodge Intrepid	
H = SE	C = Concorde	
M = LXI	E = 300M	
X = 300M Special		

ENGINE	TRANSMISSION
EER = Engine - 2.7L V6 DOHC 24 Valve MPI	DGX = Transmission - 4-Speed Automatic
EGC = Engine - "Magnum" 3.5L V6 SOHC 24V	DG0 = All Automatic Transmissions
EGG = Engine - 3.5L High Output V6 24V MPI	
EGJ = Engine - 3.5L V6 SOHC 24 Valve	
EGK = Engine - 3.5L High Output V6 24V MPI	

AR = use ase required - = Non illustrated part

Group - 2

Front Suspension & Drive

Group - 2 Front Suspension & Drive

Illustration Title

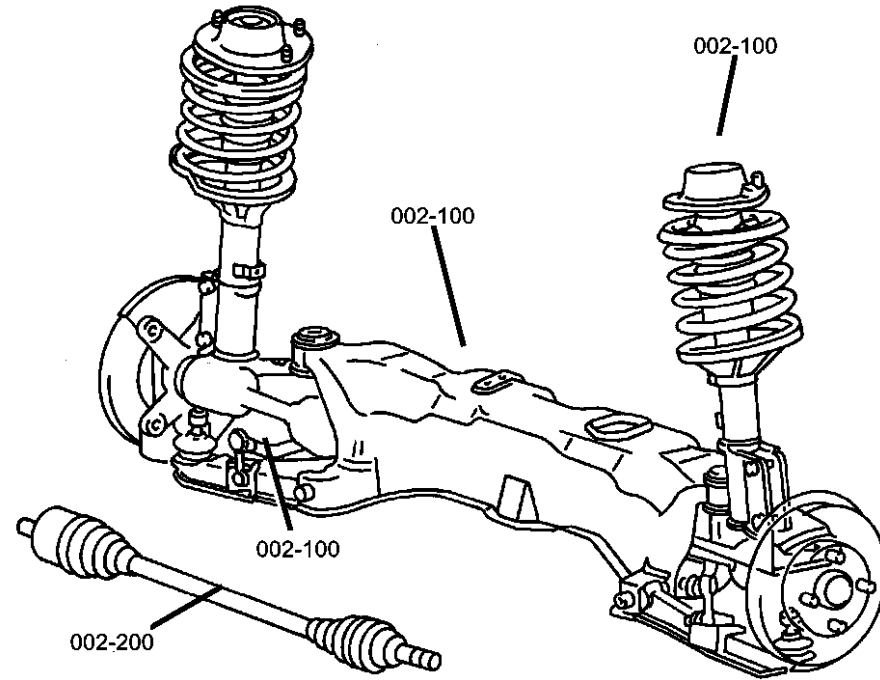
Group-Fig. No.


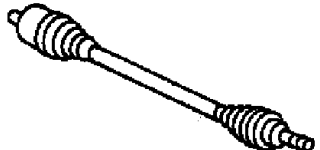
Front Suspension

Suspension, Front..... Fig. 2 - 110

Front Axle Drive Shafts

Shaft, Front Drive Fig. 2 - 210



<p>002-100 Front Suspension</p> 	<p>002-200 Front Axle Drive Shafts</p> 		
--	---	--	--

Suspension, Front
Figure 2-110

ITEM	PART NUMBER	QTY	LINE	SERIES	BODY	ENGINE	TRANS	TRIM	DESCRIPTION
------	-------------	-----	------	--------	------	--------	-------	------	-------------

NOTE:Sales codes:

[BR3]= ANTI-LOCK 4-WHEEL DISC

[BR4]=ANTI-LOCK 4-WHEEL DISC, PER

[BR5]=ANTI-LOCK 4-WHEEL DISC, PER

[BR6]=ANTI-LOCK 4-WHEEL DISC, HD

[SDA]=SUSPENSION - NORMAL DUTY

[SDB]=SUSPENSION - HEAVY DUTY

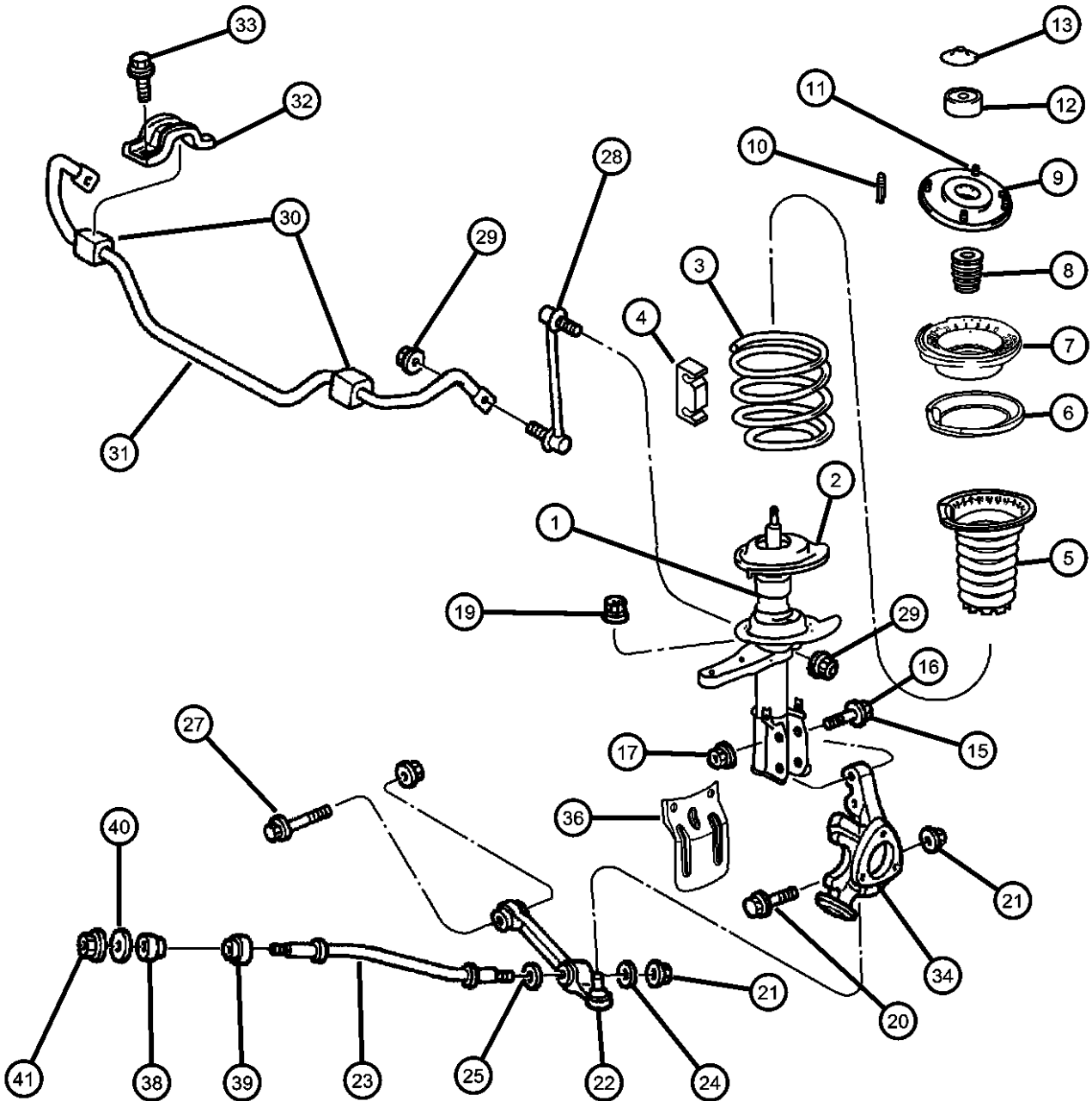
[SDC]=SUSPENSION - TOURING

[SDD]=SUSPENSION - PERFORMANCE

[SDG]=SUSPENSION - 4-WHL INDEP. TOURING

[SDE]=SUSPENSION - SPORT

[ZAC Through ZRF]=Spring Group Types Found on Individual Vehicle Sales Listing.



1	04782012AF	1							DAMPER, Strut
	0SG81667								[SDA] [SDC], Right
	04782013AF	1							Mopar V-Line Alternative Part
	0SG81668								[SDA] [SDC], Left
	04782110AF	1							Mopar V-Line Alternative Part
	04782111AH	1							[SDD], Right
	0SG81668								[SDD], Left
	04782778AA	1							Mopar V-Line Alternative Part
	04782779AA	1							[SDB], Right
	04895182AF	1							[SDB], Left
	0SG81667								[SDG], Right
	04895183AF	1							Mopar V-Line Alternative Part
	0SG81668								[SDG], Left
	04895560AA	1							Mopar V-Line Alternative Part
	04895561AA	1							[SDE], Right
	04782228AA	1							[SDE], Left
2	04782228AA	1							ISOLATOR, Front Suspension
3	04782084AB	1							SpringLower
	04782085AB	1							SPRING, Front Coil
	04782775AA	1							[SDC, ZND, ZAD] [SDD, ZBD, ZPD] [SDG, ZRD, ZCD]
	04895686AA	1							[SDC, ZNE, ZAE] [SDD, ZPE, ZBE] [SDG, ZRE, ZCE] [SDB, ZTK, ZEK]
									[SDE, ZDJ, ZSJ]

CONCORDE,INTREPID,VISION,300M,NEW YORKER,LHS (LH)

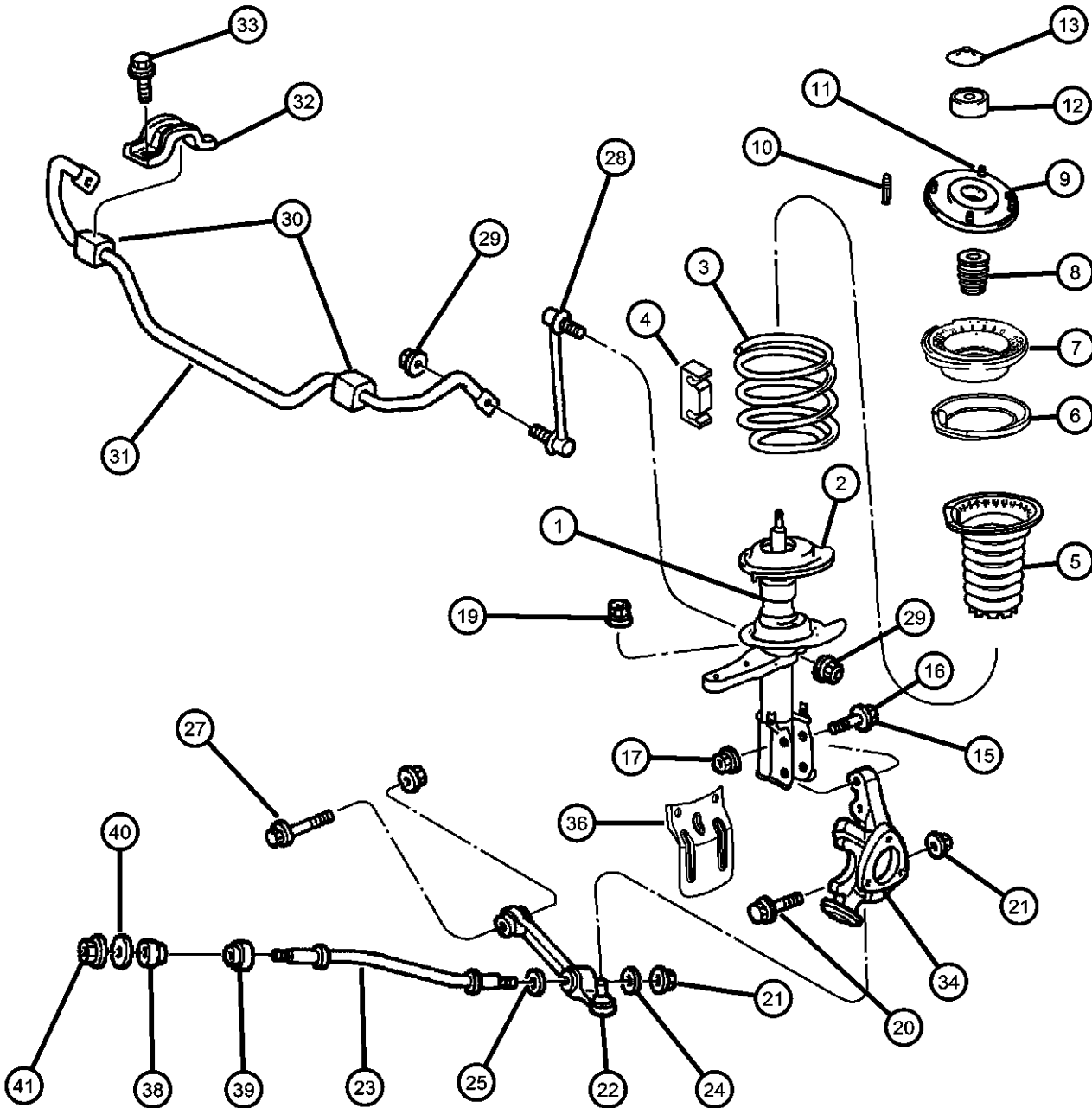
SERIES	LINE	BODY
P = Limited/ES	H = Chrysler Intrepid	41 = 4 Door Sedan
S = 300M	D = Dodge Intrepid	
H = SE	C = Concorde	
M = LXI	E = 300M	
X = 300M Special		

ENGINE	TRANSMISSION
EER = Engine - 2.7L V6 DOHC 24 Valve MPI	DGX = Transmission - 4-Speed Automatic
EGC = Engine - "Magnum" 3.5L V6 SOHC 24V	DG0 = All Automatic Transmissions
EGG = Engine - 3.5L High Output V6 24V MPI	
EGJ = Engine - 3.5L V6 SOHC 24 Valve	
EGK = Engine - 3.5L High Output V6 24V MPI	

AR = use ase required - = Non illustrated part

2003 LH

Suspension, Front
Figure 2-110



ITEM	PART NUMBER	QTY	LINE	SERIES	BODY	ENGINE	TRANS	TRIM	DESCRIPTION
4	04782771AA	4	Y						SPACER, Shock Absorber Bushing
5	04782335AA	1							SHIELD, Suspension
6	04782233AA	1							ISOLATOR, Front Suspension SpringUpper
7	04782016	1							SEAT AND BEARING, Suspension Strut
8									BUMPER, Jounce
	04782017	1							[SDC]
	04782112	1							[SDD] [SDG] [SDB]
	04895562AA	1							[SDE]
9									MOUNT, Strut
	04782018AB	1							Right
	04782019AB	1							Left
10	04782019AB	1							PIN, Front Strut Alignment, (NOT SERVICED)
11	06501483	8							NUT, Hex Flange, M8x1.25, Strut to Tower
12	04782238AB	1							CUP, Jounce Bumper
13	04616748AB	2							CAP, Strut Mount
-14	06502525	2							NUT, Hex Lock, M14 x 2.00, Strut to Tower
15	06502630	4							BOLT, Hex Head, M16x2.00x75, Knuckle to Strut Mounting
16	06505362AA	AR							BOLT, Knuckle to Strut Mounting-CAMBER REPAIR
17									NUT
	06504707	4							Strut to Knuckle Mounting
	06505363AA	AR							Strut to Knuckle Mounting-CAMBER REPAIR
-18	05016903AA	AR							SHIM, Knuckle to Strut Mounting-REPAIR
19	06502544	2							NUT, Hex Lock, M10x1.25, Tie Rod to Strut
20	06502411	2							SCREW, Hex Head, M12-1.75x55, Knuckle Lower Control Arm
21	06502526	2							NUT, Hex Locking, M12x1.75, Knuckle Lower Control Arm
22									ARM, Control

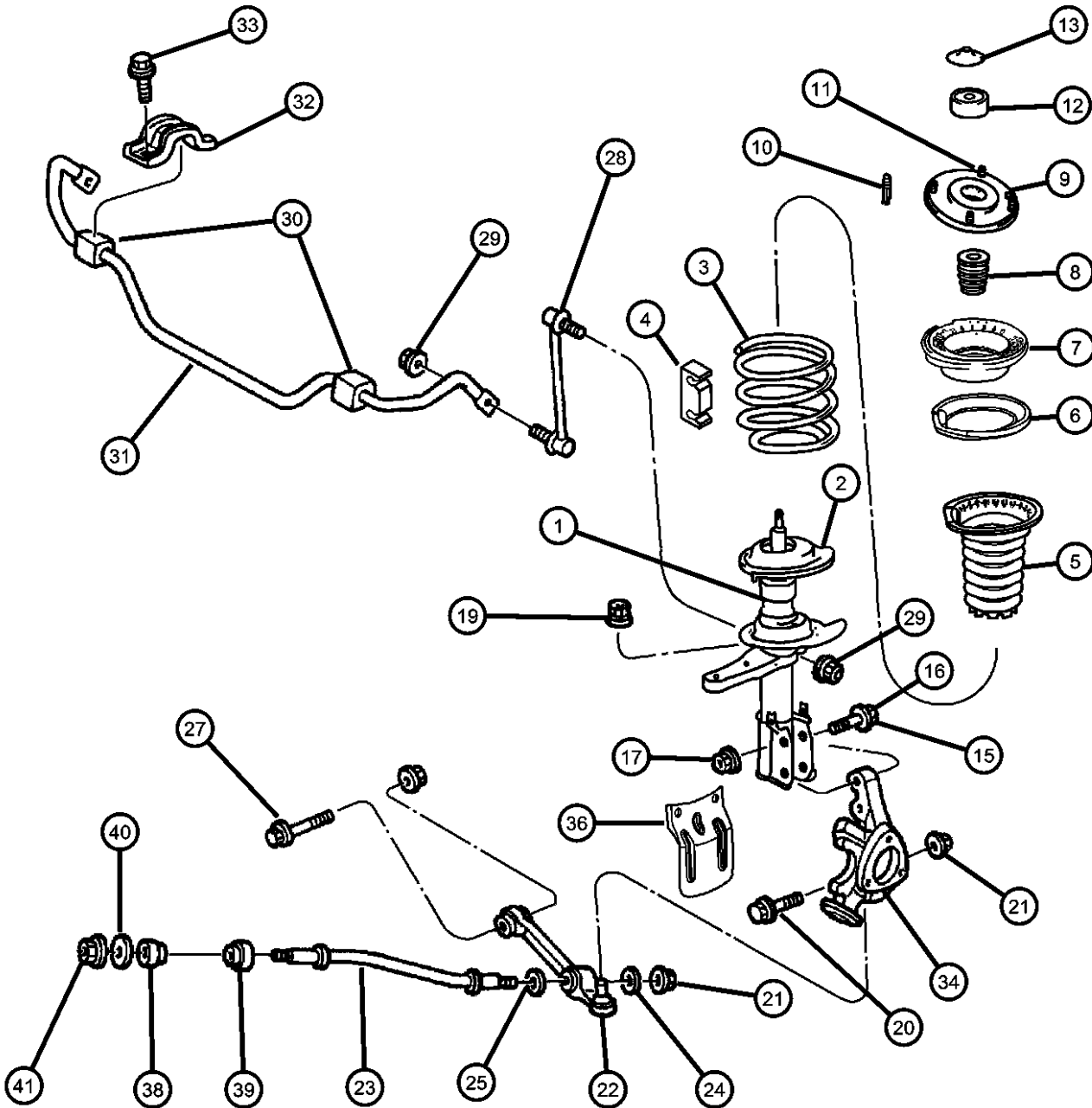
CONCORDE,INTREPID,VISION,300M,NEW YORKER,LHS (LH)

SERIES	LINE	BODY
P = Limited/ES	H = Chrysler Intrepid	41 = 4 Door Sedan
S = 300M	D = Dodge Intrepid	
H = SE	C = Concorde	
M = LXI	E = 300M	
X = 300M Special		

ENGINE	TRANSMISSION
EER = Engine - 2.7L V6 DOHC 24 Valve MPI	DGX = Transmission - 4-Speed Automatic
EGC = Engine - "Magnum" 3.5L V6 SOHC 24V	DG0 = All Automatic Transmissions
EGG = Engine - 3.5L High Output V6 24V MPI	
EGJ = Engine - 3.5L V6 SOHC 24 Valve	
EGK = Engine - 3.5L High Output V6 24V MPI	

AR = use ase required - = Non illustrated part

Suspension, Front
Figure 2-110



ITEM	PART NUMBER	QTY	LINE	SERIES	BODY	ENGINE	TRANS	TRIM	DESCRIPTION
	04616402	1							Right
	04616403	1							Left
23	04782060AB	2							STRUT, Lower Control Arm
24	04616365	2							RETAINER, Strut to Bushing
25	06502420	2							WASHER, Flat, 21mm ID
-26	06502502	2							NUT, Hex Flange Lock, M14x2, Lower Control Arm Pivot Bolt
27	06504989AA	2							SCREW AND WASHER, Hex Head, M14-2x95
28	04782254AB	1							LINK, Sway Eliminator
29	06502724	2							NUT, Hex Flange, M12x1.75
30									ISOLATOR
	04772541AB	2							[SDG], Sway Bar To Frame
	04782302AA	2							[SDC] [SDD], Sway Bar To Frame
	04782859AA	2							[SDE] [SDB], Sway Bar To Frame
31									BAR, Front Sway
	04782282AA	1							[SDG]
	04782303AA	1							[SDC] [SDD]
	04782858AA	1							[SDE]
32	04772487	2							CLAMP, Stabilizer Bar
33	06502717	3							SCREW AND WASHER, Hex Head, M10x1.5x50
34									KNUCKLE, Front
	04782124AC	1							[BR4, SDC, SDD, SDG] [BR3] [BR5] [BRW], Right
	04782125AC	1							[BR4, SDC, SDD, SDG] [BR3] [BR5] [BRW], Left
	04879412AA	1							[BR4, SDE] [BR6], Right
	04879413AA	1							[BR4, SDE] [BR6], Left
-35									BRACKET
	05016901AA	AR							Knucle to Strut mounting, Left
	05016902AA	AR							Knucle to Strut mounting, Right
36	04782224AB	1							SHIELD, Brake

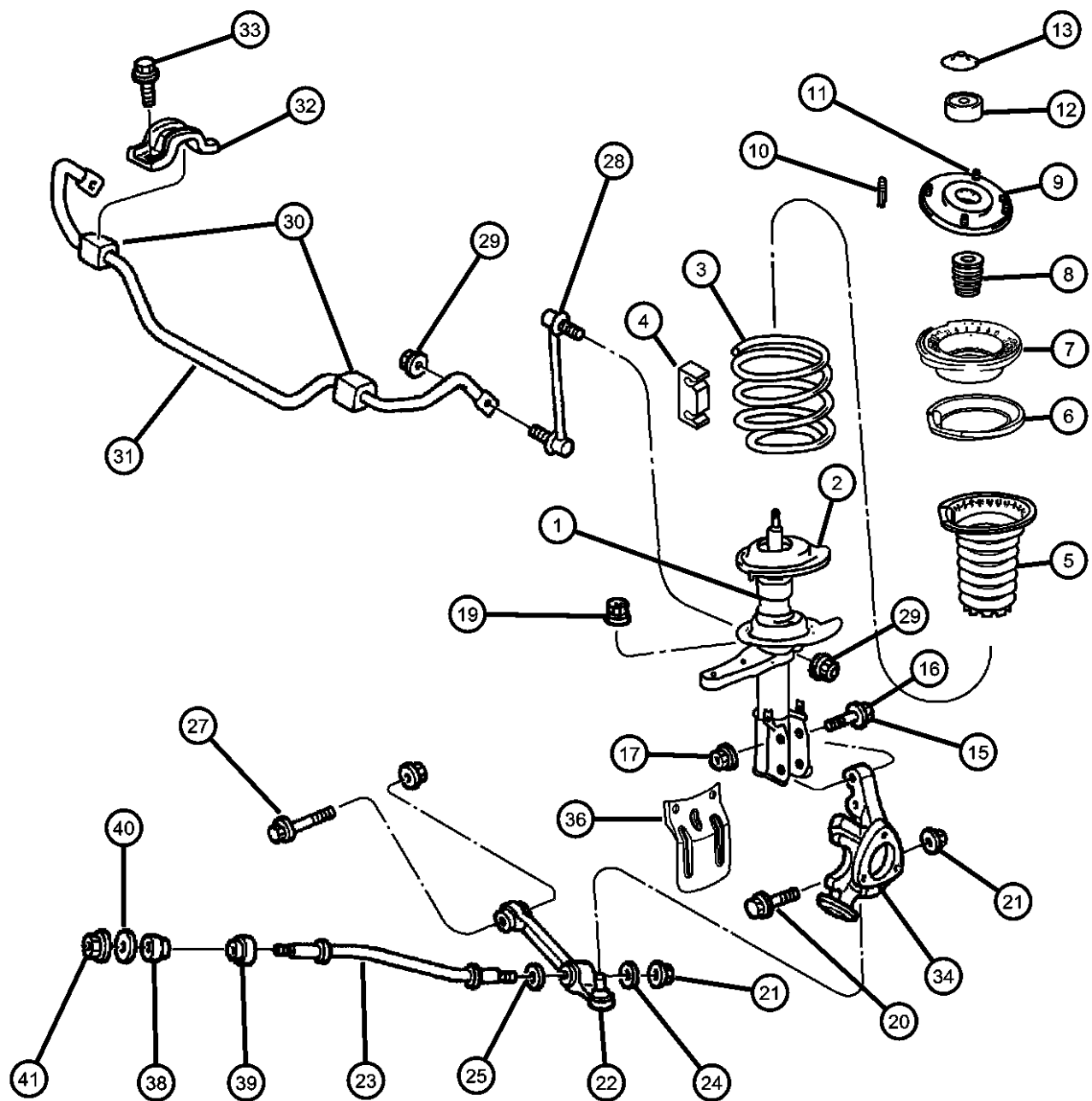
CONCORDE,INTREPID,VISION,300M,NEW YORKER,LHS (LH)

SERIES	LINE	BODY
P = Limited/ES	H = Chrysler Intrepid	41 = 4 Door Sedan
S = 300M	D = Dodge Intrepid	
H = SE	C = Concorde	
M = LXI	E = 300M	
X = 300M Special		

ENGINE	TRANSMISSION
EER = Engine - 2.7L V6 DOHC 24 Valve MPI	DGX = Transmission - 4-Speed Automatic
EGC = Engine - "Magnum" 3.5L V6 SOHC 24V	DG0 = All Automatic Transmissions
EGG = Engine - 3.5L High Output V6 24V MPI	
EGJ = Engine - 3.5L V6 SOHC 24 Valve	
EGK = Engine - 3.5L High Output V6 24V MPI	

AR = use ase required - = Non illustrated part

Suspension, Front
Figure 2-110



ITEM	PART NUMBER	QTY	LINE	SERIES	BODY	ENGINE	TRANS	TRIM	DESCRIPTION
-37	06504693	2							SCREW, TappingHeat Shield Attaching
38	04616380	2							BUSHING, Lower Control ArmFront
39	04616383	2							BUSHING, Lower Control ArmRear
40	06506677AA	2							WASHER, Flat
41	06504707	4							NUT, M16x2.00
-42	06505688AA	1							NUT, Hex Flange Lock, M14x2, Strut Damper
-43									SHIELD, Sway Bar Link
	04695656	1							Right
	04695657	1							Left

CONCORDE,INTREPID,VISION,300M,NEW YORKER,LHS (LH)

SERIES	LINE	BODY
P = Limited/ES	H = Chrysler Intrepid	41 = 4 Door Sedan
S = 300M	D = Dodge Intrepid	
H = SE	C = Concorde	
M = LXI	E = 300M	
X = 300M Special		

ENGINE	TRANSMISSION
EER = Engine - 2.7L V6 DOHC 24 Valve MPI	DGX = Transmission - 4-Speed Automatic
EGC = Engine - "Magnum" 3.5L V6 SOHC 24V	DG0 = All Automatic Transmissions
EGG = Engine - 3.5L High Output V6 24V MPI	
EGJ = Engine - 3.5L V6 SOHC 24 Valve	
EGK = Engine - 3.5L High Output V6 24V MPI	

AR = use ase required - = Non illustrated part