

### VIN PLATE DECODING INFORMATION

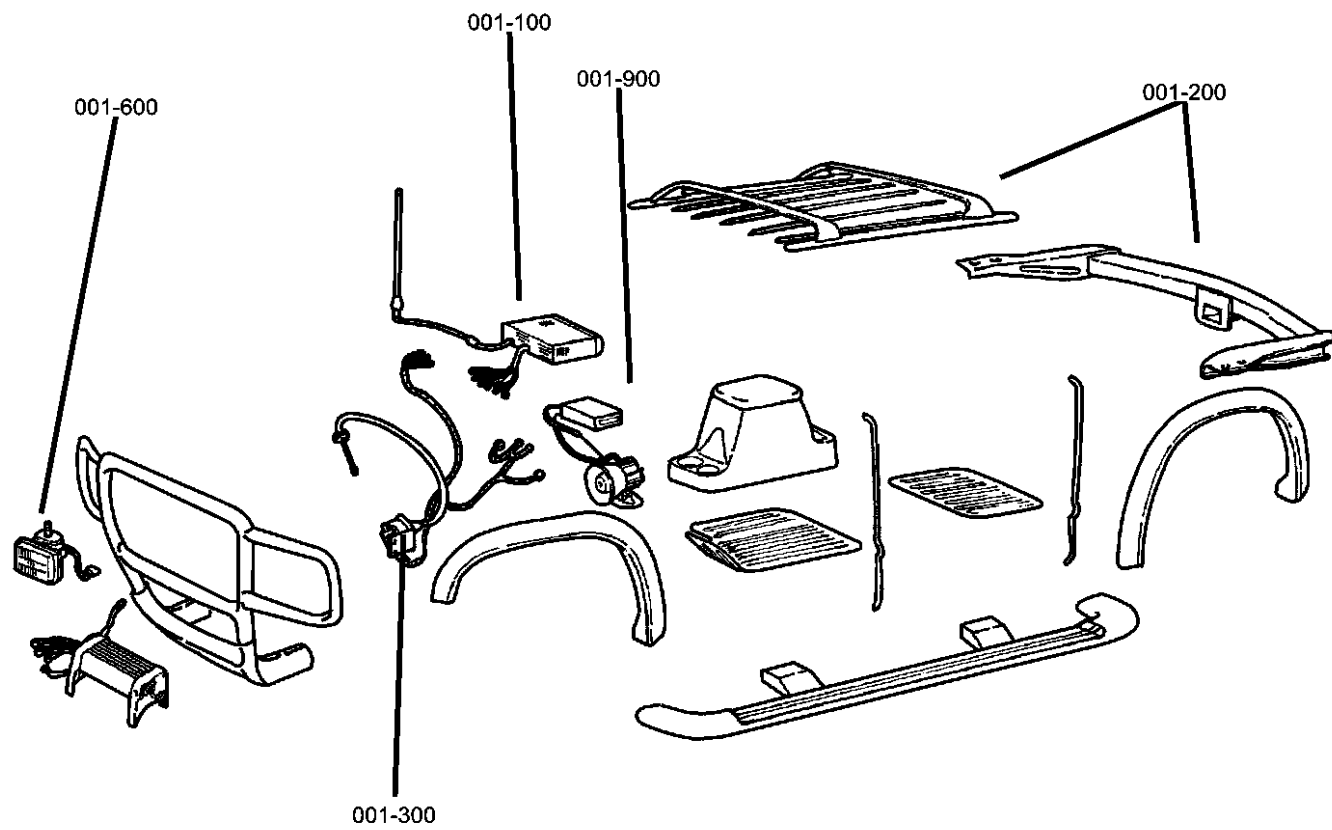
1	2	3	4	5	6	7	8	9	10	11	12 thru 17
Country	Make	Vehicle Type	Other	Line	Series	Body Style	Engine	Check Digit	Model Year	Assy. Plant	Sequence No.

The following table interprets the VIN Plate position shown above.

Position	Interpretation	Codes = Description
1	Country of Origin	2 = Built in Canada by DaimlerChrysler Canada Inc 1 = Built in U.S. by DaimlerChrysler Corporation
2	Assembler	C = Chrysler B = Dodge
3	Vehicle Type	3 = Passenger Car
4	GVWR & Pass. Safety	H = Restraint System Active Driver & Passenger Air Bags (CGW) A = Restraint System Active Front & Side Air Bags (CGS) B = Restraint System Manual/Active Uni-belt (CGA) D = Restraint System w/o Air Bags (CGJ)
5	Vehicle Line	H = Chrysler Intrepid (Canada) Y = Chrysler 300M C = Chrysler Concorde D = Dodge Intrepid (U.S., Mexico & BUX w/MUD)
6	Series	3 = Concorde LXi 4 = Concorde LX/Intrepid 5 = Intrepid ES; Concorde Limited 6 = 300M w/o ABB *=300M/ABB 7 = Intrepid R/T; 300M Special
7	Body Style	6 = 4 Door Sedan
8	Engine	V = 3.5L 6 cyl. 24V SOHC Magnum (EGC) M = 3.5L 6 Cyl. 24V (EGJ) K = 3.5L HO 6 Cyl. 24V MPI (EGK) R = 2.7L 6 cyl. DOHC FF (EER) G = 3.5L 6 cyl. 24V (EGG)
9	Check Digit	0 = Check Digit 0 = Check Digit
10	Model Year	2 = 2002
11	Assembly Plant	H = Brampton Assembly
12 thru 17	Vehicle Build Sequence	Model Year Assembly Sequence

# Group - 1

## Component Parts for Mopar Accessories



## Group - 1 Component Parts for Mopar Accessories

Illustration Title

Group-Fig. No.

### Audio & Electronics

Player Kit - CD Changer - 4 Disc.....	Fig. 1 - 110
Player Kit - CD Changer - 6 Disc.....	Fig. 1 - 115
Player Kit - CD Changer - 12 Disc.....	Fig. 1 - 120
Install Kit - CD Changer - Trunk.....	Fig. 1 - 130
Navigation Kit - Intrepid.....	Fig. 1 - 140
Navigation Kit - 300 M.....	Fig. 1 - 142

### Carriers & Cargo Hauling

Bike Carrier - Hitch Mount.....	Fig. 1 - 210
Bike Carrier - Roof Mount.....	Fig. 1 - 212
Bike Carrier - Roof Mount.....	Fig. 1 - 214
Ski Carrier - Hitch Mount.....	Fig. 1 - 220
Ski Carrier - Roof Mount.....	Fig. 1 - 222
Ski Carrier - Roof Mount.....	Fig. 1 - 224
Rack Kit - Roof.....	Fig. 1 - 230
Luggage Carrier.....	Fig. 1 - 235
Trailer Tow Harness.....	Fig. 1 - 290

### Driving Convenience

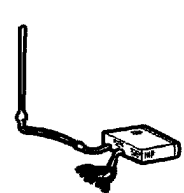
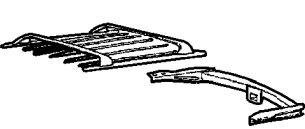


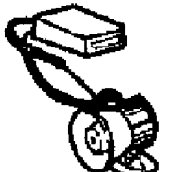
Mounting Kit - Cell Phone.....	Fig. 1 - 330
--------------------------------	--------------

### Fog Lights & Electrical

Heater Kit - Engine and Battery.....	Fig. 1 - 610
--------------------------------------	--------------

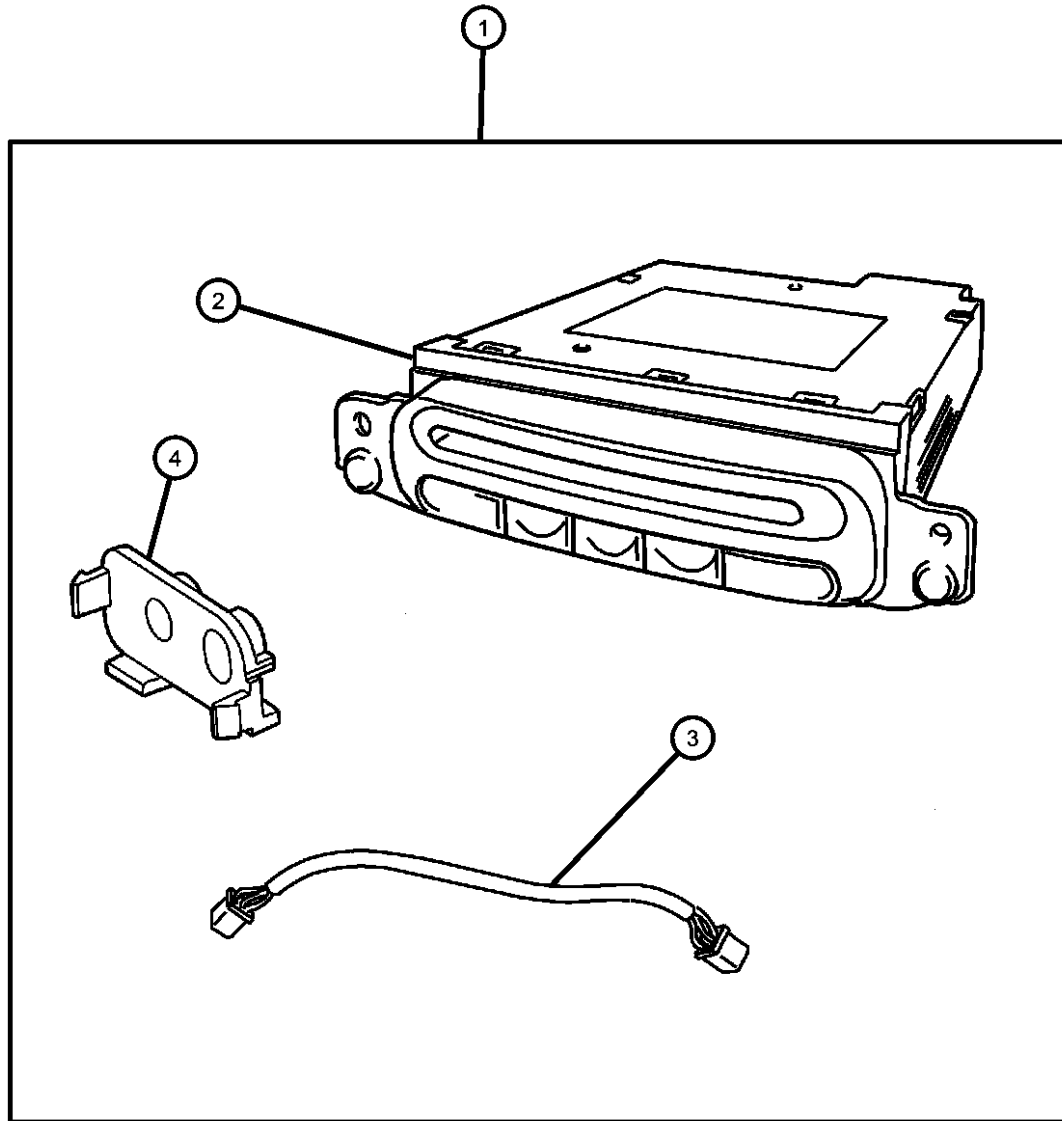
### Security

Alarm - EVSII.....	Fig. 1 - 914
Module Package - Keyless Entry.....	Fig. 1 - 920

<p><b>001-100</b> Audio &amp; Electronics</p> 	<p><b>001-200</b> Carriers &amp; Cargo Hauling</p> 	<p><b>001-300</b> Driving Convenience</p> 	<p><b>001-600</b> Fog Lights &amp; Electrical</p> 
<p><b>001-900</b> Security</p> 			

Player Kit - CD Changer - 4 Disc  
Figure 1-110

ITEM	PART NUMBER	QTY	LINE	SERIES	BODY	ENGINE	TRANS	TRIM	DESCRIPTION
1	82207506	1			41				PLAYER PACKAGE, CD Changer - 4 Disc
2	82207506	1							CHANGER, CD, Serviced in package only, (NOT SERVICED)
3	04671841AA	1							WIRING, Compact Disc Changer
4	04595829AA	1	D						ADAPTOR, CD changer



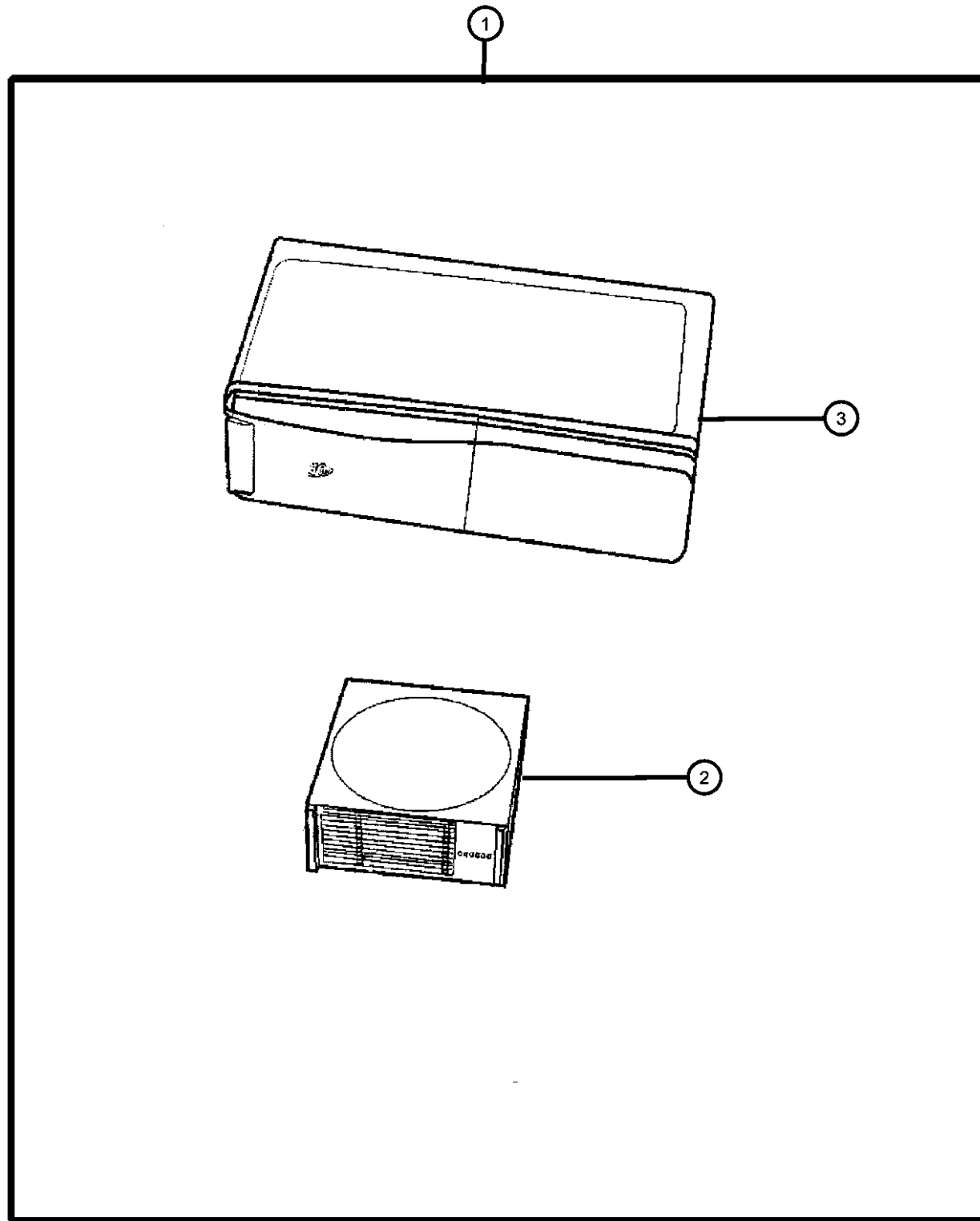
CONCORDE,INTREPID,VISION,300M,NEW YORKER,LHS (LH)

SERIES	LINE	BODY
P = Premium	H = Chrysler Intrepid	41 = 4 Door Sedan
H = High Line	D = Dodge Intrepid	
S = Special	C = Concorde	
M = LXi	Y = 300M	
X = R/T		

ENGINE	TRANSMISSION
EER = Engine - 2.7L V6 DOHC 24 Valve MPI	DGX = Transmission - 4-Speed Automatic
EGC = Engine - "Magnum" 3.5L V6 SOHC 24V	DG0 = All Automatic Transmissions
EGG = Engine - 3.5L High Output V6 24V MPI	
EGJ = Engine - 3.5L V6 SOHC 24 Valve	
EGK = Engine - 3.5L High Output V6 24V MPI	

AR = use ase required - = Non illustrated part

**Player Kit - CD Changer - 6 Disc  
Figure 1-115**



ITEM	PART NUMBER	QTY	LINE	SERIES	BODY	ENGINE	TRANS	TRIM	DESCRIPTION
------	-------------	-----	------	--------	------	--------	-------	------	-------------

NOTE; Use with CD-Controlled radios. For radios without CD Changer controls, use FM-Modulator Kit 82202292

1	82202700	1							PLAYER KIT, CD Changer - 6 Disc
2	04797433	1							MAGAZINE, CD Changer
3	04797433	1							CHANGER, CD, Serviced in Kit, (NOT SERVICED)

**CONCORDE,INTREPID,VISION,300M,NEW YORKER,LHS (LH)**

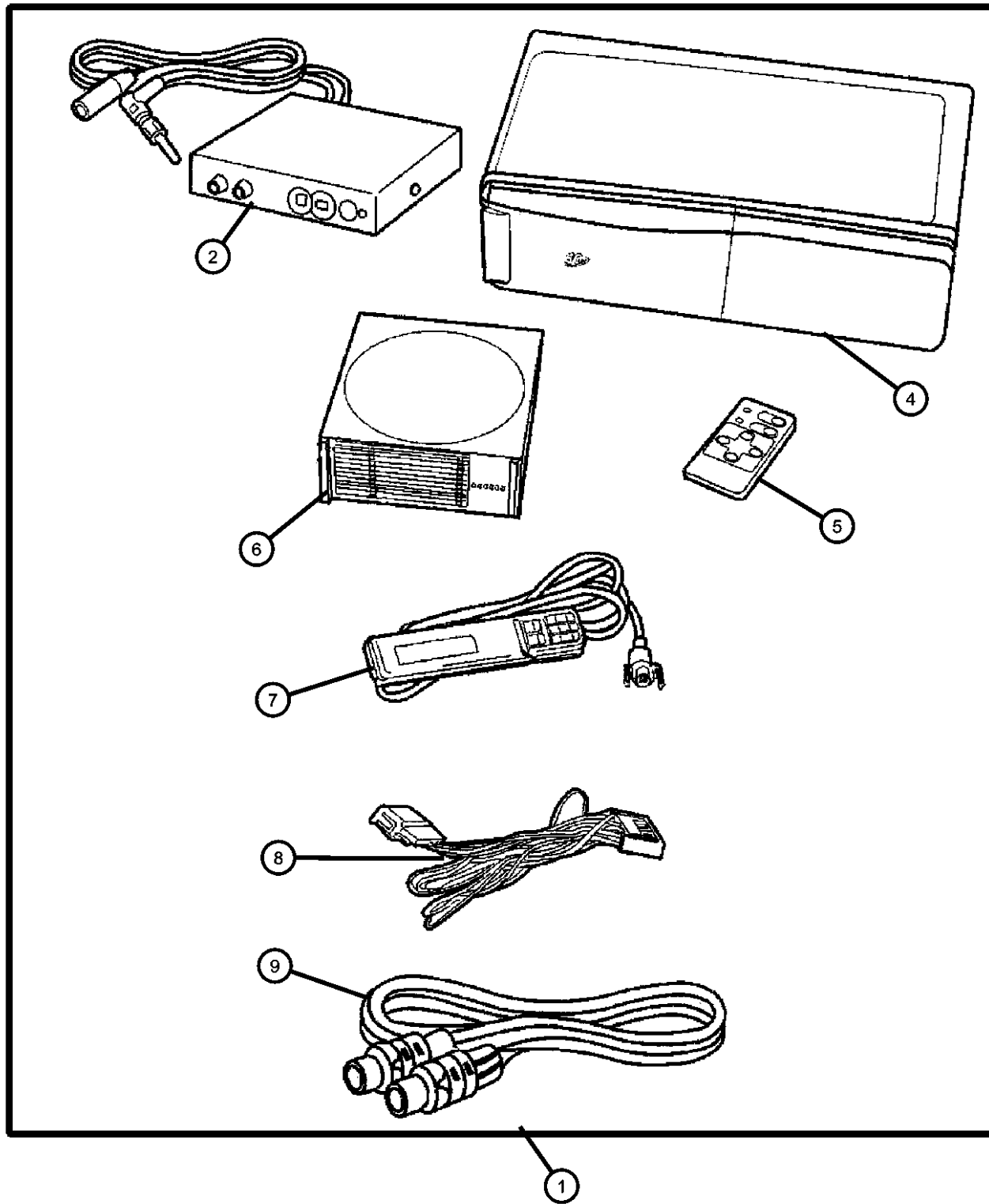
SERIES	LINE	BODY
P = Premium	H = Chrysler Intrepid	41 = 4 Door Sedan
H = High Line	D = Dodge Intrepid	
S = Special	C = Concorde	
M = LXi	Y = 300M	
X = R/T		

ENGINE	TRANSMISSION
EER = Engine - 2.7L V6 DOHC 24 Valve MPI	DGX = Transmission - 4-Speed Automatic
EGC = Engine - "Magnum" 3.5L V6 SOHC 24V	DG0 = All Automatic Transmissions
EGG = Engine - 3.5L High Output V6 24V MPI	
EGJ = Engine - 3.5L V6 SOHC 24 Valve	
EGK = Engine - 3.5L High Output V6 24V MPI	

AR = use ase required - = Non illustrated part

2002 LH

**Player Kit - CD Changer - 12 Disc  
Figure 1-120**



ITEM	PART NUMBER	QTY	LINE	SERIES	BODY	ENGINE	TRANS	TRIM	DESCRIPTION
NOTE: For radio without CD controls. Pentastar Logo, Includes RF Modulator, Power Cord, Din Cord, Hand Held and IR Remote Controller and									
1	82204730	1	C, D, Y		41				PLAYER KIT, CD Changer - 12 Disc
2	05013804AA	1	C, D, Y		41				MODULATOR, FM
-3	05013800AA	1	C, D, Y		41				HARDWARE KIT, Mounting
4	05013806AA	1	C, D, Y		41				CHANGER, CD
5	05013802AA	1	C, D, Y		41				CONTROLLER, CD Wireless
6	05013805AA	1	C, D, Y		41				MAGAZINE, CD Changer
7	05013803AA	1	C, D, Y		41				CONTROLLER, CD Wired
8	04465117	1	C, D, Y		41				ADAPTOR, A/C
9	05013801AA	1	C, D, Y		41				DIN CORD, CD Player, 5 Meters Long

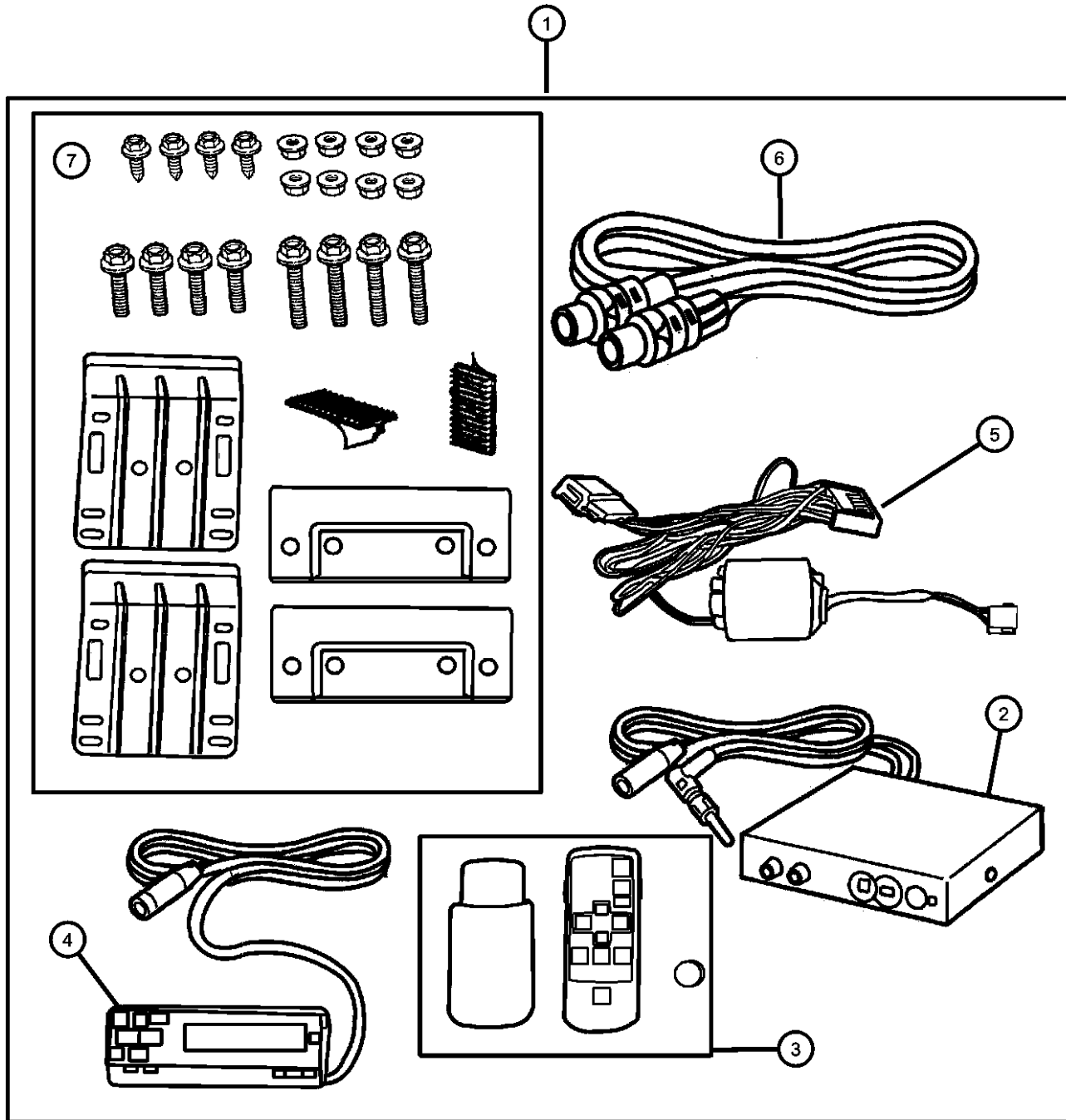
**CONCORDE,INTREPID,VISION,300M,NEW YORKER,LHS (LH)**

SERIES	LINE	BODY
P = Premium	H = Chrysler Intrepid	41 = 4 Door Sedan
H = High Line	D = Dodge Intrepid	
S = Special	C = Concorde	
M = LXi	Y = 300M	
X = R/T		

ENGINE	TRANSMISSION
EER = Engine - 2.7L V6 DOHC 24 Valve MPI	DGX = Transmission - 4-Speed Automatic
EGC = Engine - "Magnum" 3.5L V6 SOHC 24V	DG0 = All Automatic Transmissions
EGG = Engine - 3.5L High Output V6 24V MPI	
EGJ = Engine - 3.5L V6 SOHC 24 Valve	
EGK = Engine - 3.5L High Output V6 24V MPI	

AR = use ase required - = Non illustrated part

**Install Kit - CD Changer - Trunk**  
**Figure 1-130**



ITEM	PART NUMBER	QTY	LINE	SERIES	BODY	ENGINE	TRANS	TRIM	DESCRIPTION
------	-------------	-----	------	--------	------	--------	-------	------	-------------

NOTE: FM Modulator, CD Controller, wired and Mounting Hardware Kit are serviced in the Install Kit only.

1	82207481	1			41				INSTALL KIT, CD Changer - Trunk
2	82207481	1							MODULATOR, FM Changer, (NOT SERVICED)
3	05017217AA	1			41				CONTROLLER, CD Wireless
4	05017217AA	1							CONTROLLER, CD Wired, (NOT SERVICED)
5	04465117	1			41				ADAPTOR, A/C
6	04465113	1			41				CABLE, Din
7	04465113	1							HARDWARE KIT, Mounting, (NOT SERVICED)

**CONCORDE,INTREPID,VISION,300M,NEW YORKER,LHS (LH)**

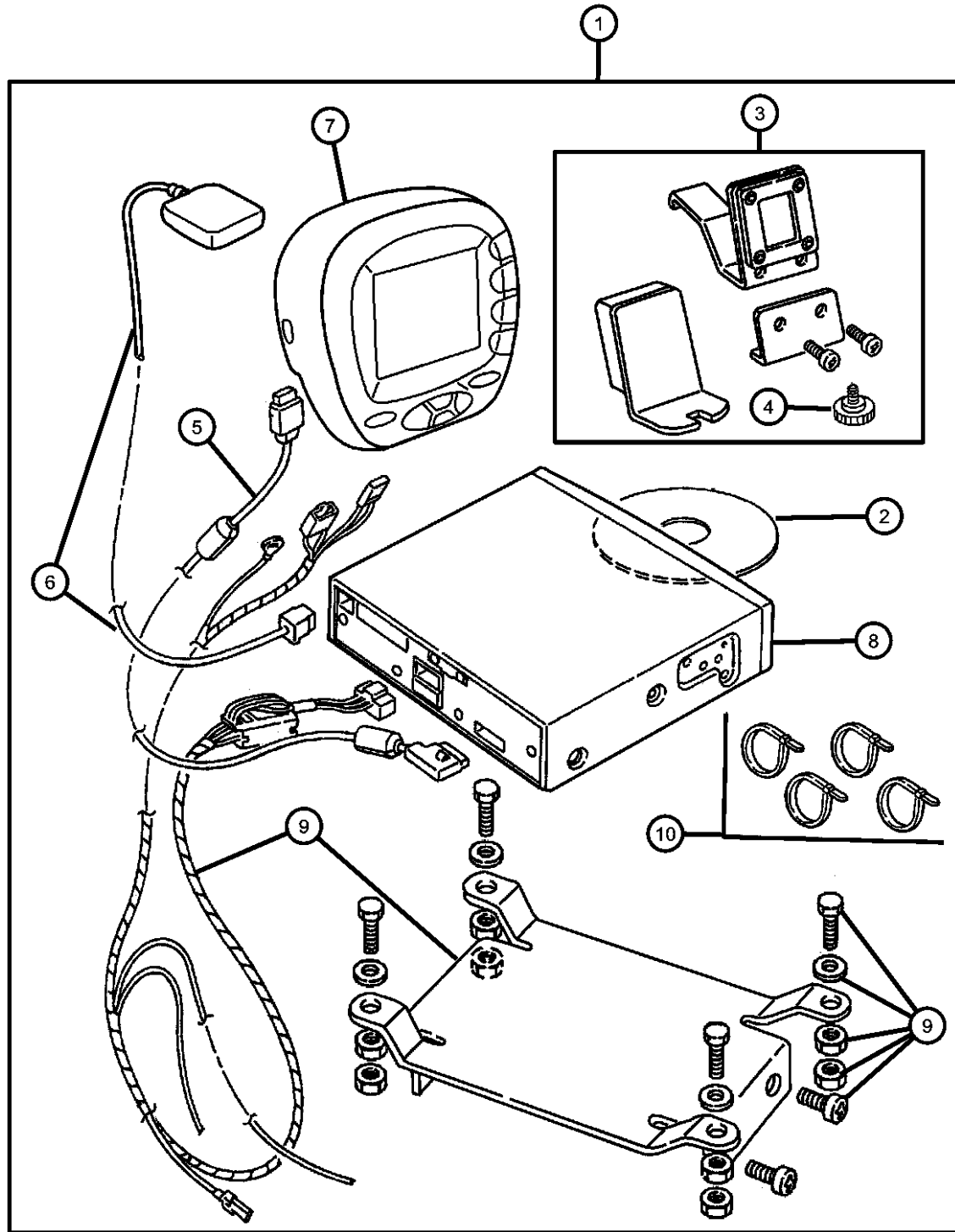
SERIES	LINE	BODY
P = Premium	H = Chrysler Intrepid	41 = 4 Door Sedan
H = High Line	D = Dodge Intrepid	
S = Special	C = Concorde	
M = LXi	Y = 300M	
X = R/T		

ENGINE	TRANSMISSION
EER = Engine - 2.7L V6 DOHC 24 Valve MPI	DGX = Transmission - 4-Speed Automatic
EGC = Engine - "Magnum" 3.5L V6 SOHC 24V	DG0 = All Automatic Transmissions
EGG = Engine - 3.5L High Output V6 24V MPI	
EGJ = Engine - 3.5L V6 SOHC 24 Valve	
EGK = Engine - 3.5L High Output V6 24V MPI	

AR = use ase required - = Non illustrated part

2002 LH

Navigation Kit - Intrepid  
Figure 1-140



ITEM	PART NUMBER	QTY	LINE	SERIES	BODY	ENGINE	TRANS	TRIM	DESCRIPTION
------	-------------	-----	------	--------	------	--------	-------	------	-------------

NOTES:

Items 3 and 4 are also serviced as part of item 9.

For warranty orders of items 7 and 8, use a Z prefix through function 11.

1	82207581	1	D		41				NAVIGATION KIT, Vehicle Western
	82207582	1	D		41				Central
	82207583	1	D		41				Eastern
2									COMPACT DISC, Navigation Western
	05017415AB	1	D		41				Central
	05017416AB	1	D		41				Eastern
3	05072411AA	1	D		41				BRACKET, Navigation Display
4	05019727AA	1	D		41				SCREW, Thumb
5	05017433AA	1	D		41				WIRING, Navigation Display
6	05017420AA	1	D		41				ANTENNA, Global Positioning
7	05017418AA	1	D		41				MODULE, Navigation Display, See Note
8	05017419AB	1	D		41				CONTROLLER, Vehicle Navigation, See Note
9	82207580	1	D		41				INSTALL KIT, Vehicle Navigation System
10	82207580	1							STRAP, Tie, (NOT SERVICED)

CONCORDE,INTREPID,VISION,300M,NEW YORKER,LHS (LH)

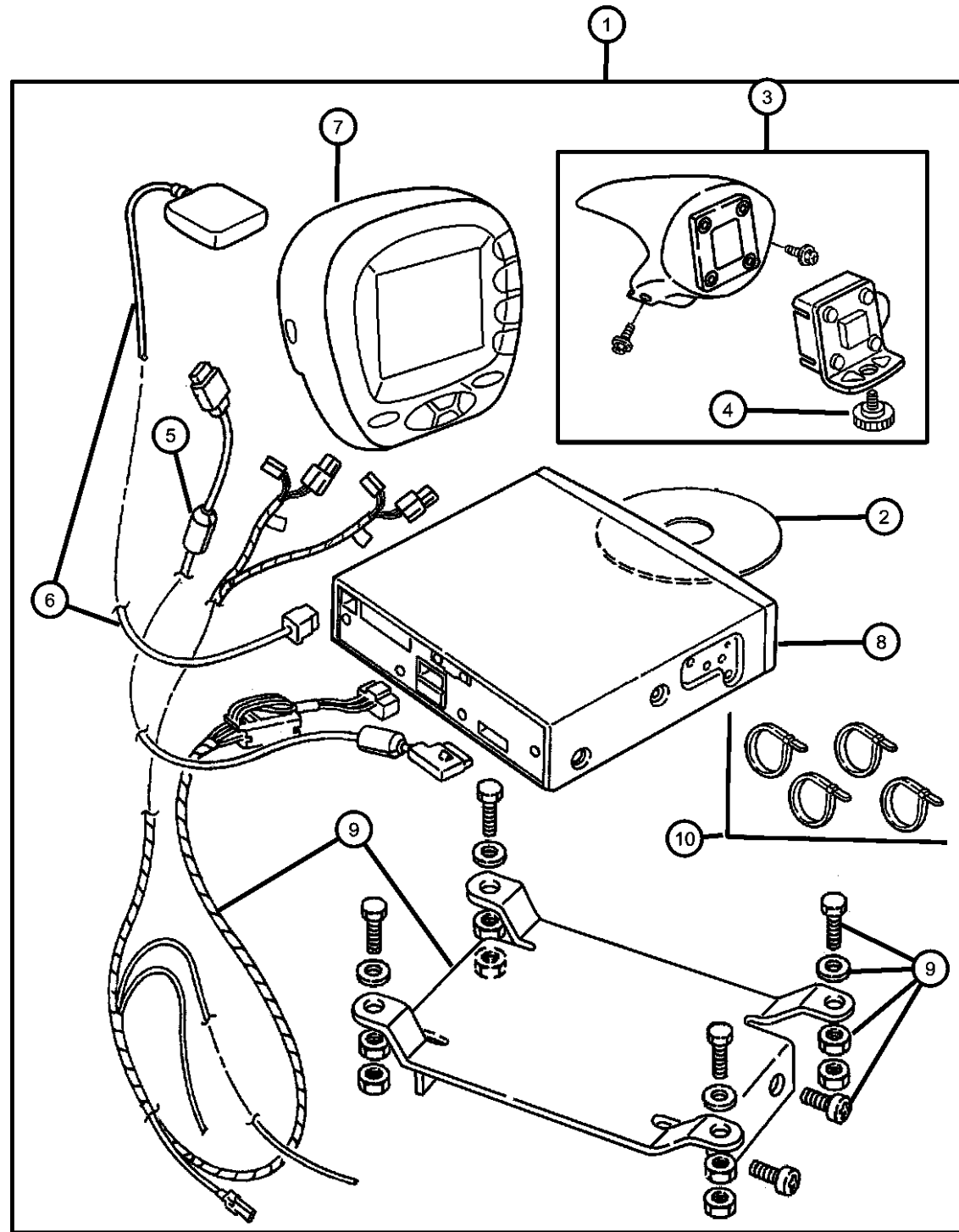
SERIES	LINE	BODY
P = Premium	H = Chrysler Intrepid	41 = 4 Door Sedan
H = High Line	D = Dodge Intrepid	
S = Special	C = Concorde	
M = LXi	Y = 300M	
X = R/T		

ENGINE	TRANSMISSION
EER = Engine - 2.7L V6 DOHC 24 Valve MPI	DGX = Transmission - 4-Speed Automatic
EGC = Engine - "Magnum" 3.5L V6 SOHC 24V	DG0 = All Automatic Transmissions
EGG = Engine - 3.5L High Output V6 24V MPI	
EGJ = Engine - 3.5L V6 SOHC 24 Valve	
EGK = Engine - 3.5L High Output V6 24V MPI	

AR = use ase required - = Non illustrated part

2002 LH

Navigation Kit - 300 M  
Figure 1-142



ITEM	PART NUMBER	QTY	LINE	SERIES	BODY	ENGINE	TRANS	TRIM	DESCRIPTION
------	-------------	-----	------	--------	------	--------	-------	------	-------------

NOTES:

Items 3 and 4 are also serviced as part of item 9.

For warranty orders of items 7 and 8, use a Z prefix through function 11.

1	82207593	1	Y		41				NAVIGATION KIT, Vehicle Western
	82207594	1	Y		41				Central
	82207595	1	Y		41				Eastern
2	05017415AB	1	Y		41				COMPACT DISC, Navigation Western
	05017416AB	1	Y		41				Central
	05017417AB	1	Y		41				Eastern
3	05083139AA	1							BRACKET, Navigation Display
4	05019727AA	1							SCREW, Thumb
5	05017433AA	1	Y		41				WIRING, Navigation Display
6	05017420AA	1	Y		41				ANTENNA, Global Positioning
7	05017418AA	1	Y		41				MODULE, Navigation Display, See Note
8	05017419AB	1	Y		41				CONTROLLER, Vehicle Navigation, See Note
9	82207592	1							INSTALL KIT, Vehicle Navigation System
10	82207592	1							STRAP, Tie, (NOT SERVICED)

CONCORDE,INTREPID,VISION,300M,NEW YORKER,LHS (LH)

SERIES	LINE	BODY
P = Premium	H = Chrysler Intrepid	41 = 4 Door Sedan
H = High Line	D = Dodge Intrepid	
S = Special	C = Concorde	
M = LXi	Y = 300M	
X = R/T		

ENGINE	TRANSMISSION
EER = Engine - 2.7L V6 DOHC 24 Valve MPI	DGX = Transmission - 4-Speed Automatic
EGC = Engine - "Magnum" 3.5L V6 SOHC 24V	DG0 = All Automatic Transmissions
EGG = Engine - 3.5L High Output V6 24V MPI	
EGJ = Engine - 3.5L V6 SOHC 24 Valve	
EGK = Engine - 3.5L High Output V6 24V MPI	

AR = use ase required - = Non illustrated part

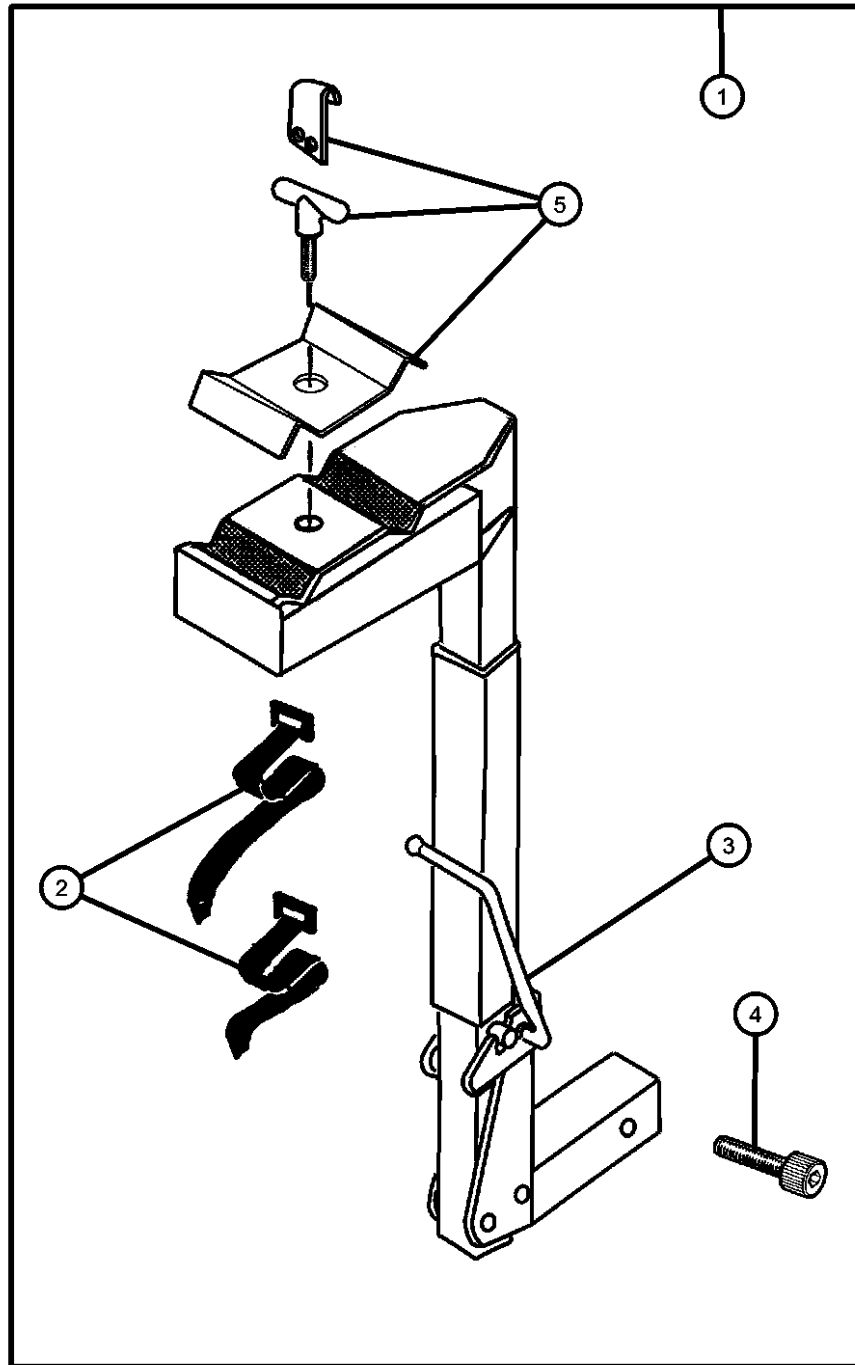
2002 LH



**Bike Carrier - Hitch Mount**  
**Figure 1-210**

ITEM	PART NUMBER	QTY	LINE	SERIES	BODY	ENGINE	TRANS	TRIM	DESCRIPTION
------	-------------	-----	------	--------	------	--------	-------	------	-------------

NOTE: Folds down for access to rear deck, has anti theft bolts.



1	82204452	1							CARRIER KIT, Bike
2	04762880	1							STRAP KIT, Velcro, Contains: 1-Long and 1-Short Strap
3	05016775AA	1							STRAP KIT, Bike Carrier Latch, Contains: 2-Rubber Straps
4	05016774AA	1							BOLT KIT, Security, Contains: 1-Security Bolt, 1-Wrench, 1-Washer and Nut
5	05018825AA	1							HARDWARE KIT, Bike Carrier, Contains: T-Handle, Top Clamp and Nylon Washer
-6	05016610AA	1							HARDWARE KIT, Accessory, T Handle
-7	04762882	1							LOCK KIT, Bike Carrier Handle

**CONCORDE,INTREPID,VISION,300M,NEW YORKER,LHS (LH)**

SERIES	LINE	BODY
P = Premium	H = Chrysler Intrepid	41 = 4 Door Sedan
H = High Line	D = Dodge Intrepid	
S = Special	C = Concorde	
M = LXi	Y = 300M	
X = R/T		

ENGINE	TRANSMISSION
EER = Engine - 2.7L V6 DOHC 24 Valve MPI	DGX = Transmission - 4-Speed Automatic
EGC = Engine - "Magnum" 3.5L V6 SOHC 24V	DG0 = All Automatic Transmissions
EGG = Engine - 3.5L High Output V6 24V MPI	
EGJ = Engine - 3.5L V6 SOHC 24 Valve	
EGK = Engine - 3.5L High Output V6 24V MPI	

AR = use ase required - = Non illustrated part

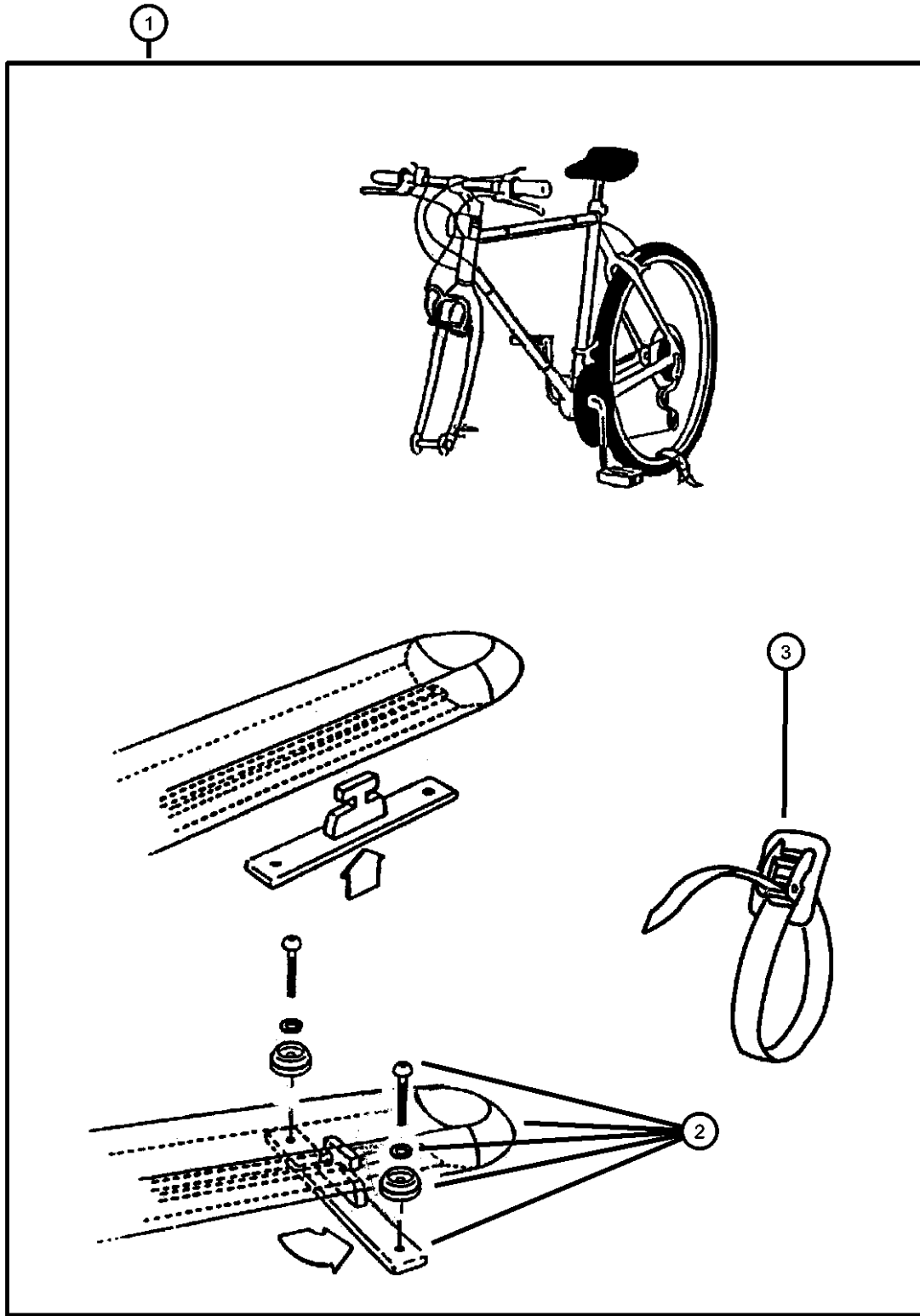
2002 LH

**Bike Carrier - Roof Mount**  
**Figure 1-212**

ITEM	PART NUMBER	QTY	LINE	SERIES	BODY	ENGINE	TRANS	TRIM	DESCRIPTION
------	-------------	-----	------	--------	------	--------	-------	------	-------------

NOTE: Hardware Kit also contained in Carrier Kit.

1	82300585	1							CARRIER KIT, Bike, Fork - Mount
2	05093779AA	1							HARDWARE KIT, Accessory, Contains: 2-T-Slot Anchors, 1-Rear T-Slot Bar, 4-Button Head Screws, 2-Lock Washers and 4-Dome Washers
3	05016513AA	1							STRAP, Cargo Tie Down, Consists of: 2- Straps
-4	05066632AA	1							TOOL, Screw Driver



CONCORDE,INTREPID,VISION,300M,NEW YORKER,LHS (LH)

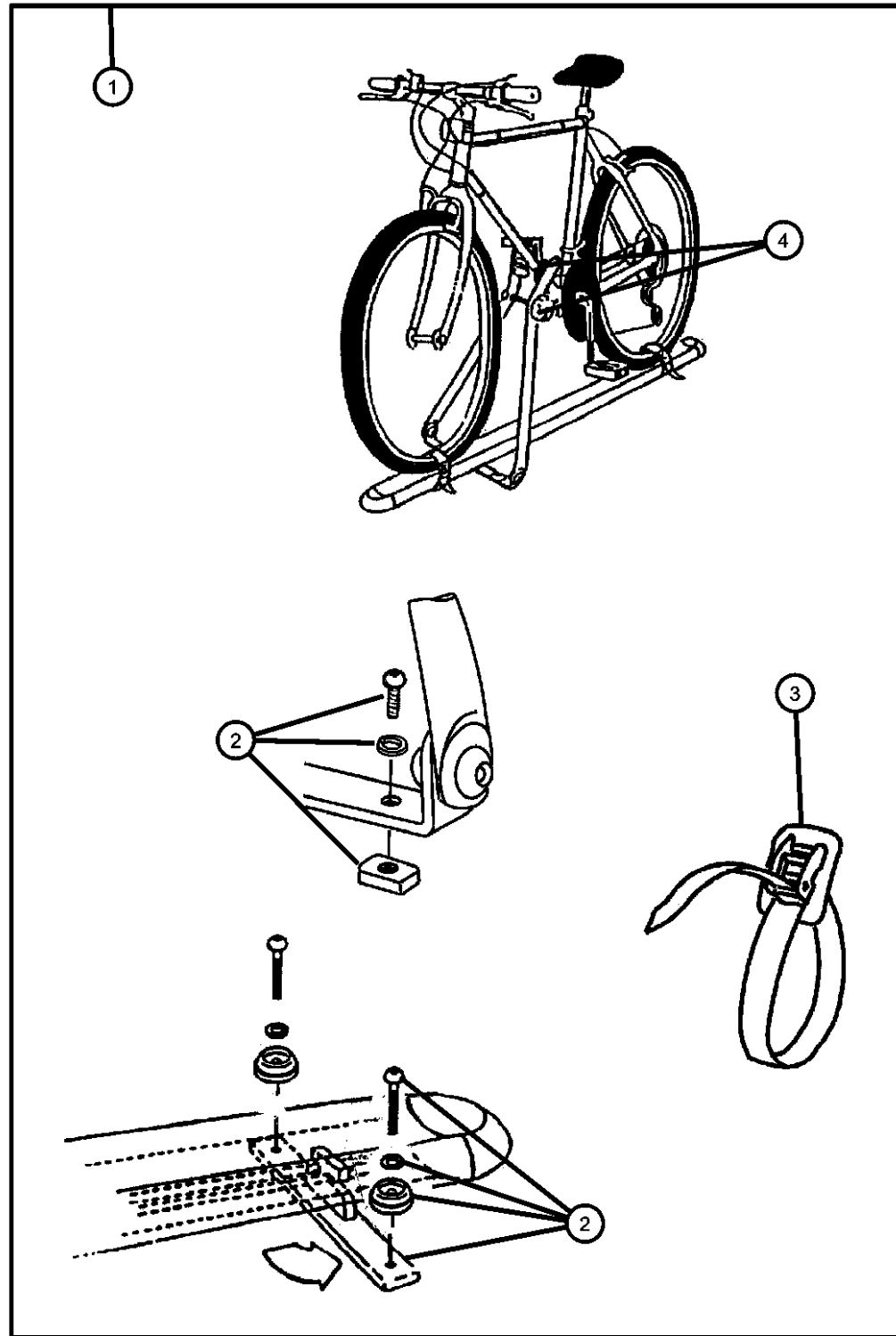
SERIES	LINE	BODY
P = Premium	H = Chrysler Intrepid	41 = 4 Door Sedan
H = High Line	D = Dodge Intrepid	
S = Special	C = Concorde	
M = LXi	Y = 300M	
X = R/T		

ENGINE	TRANSMISSION
EER = Engine - 2.7L V6 DOHC 24 Valve MPI	DGX = Transmission - 4-Speed Automatic
EGC = Engine - "Magnum" 3.5L V6 SOHC 24V	DG0 = All Automatic Transmissions
EGG = Engine - 3.5L High Output V6 24V MPI	
EGJ = Engine - 3.5L V6 SOHC 24 Valve	
EGK = Engine - 3.5L High Output V6 24V MPI	

AR = use ase required - = Non illustrated part

2002 LH

**Bike Carrier - Roof Mount**  
**Figure 1-214**



ITEM	PART NUMBER	QTY	LINE	SERIES	BODY	ENGINE	TRANS	TRIM	DESCRIPTION
1	82203471	1							CARRIER KIT, Bike, Upright - Mount
2	05093779AA	1							HARDWARE KIT, Accessory, Contains: 2-T-Slot Anchors, 1-Rear T-Slot Bar, 4-Button Head Screws, 2-Lock Washers and 4-Dome Washers
3	05016513AA	1							STRAP, Cargo Tie Down
4	05018194AA	1							HARDWARE KIT, Bike Carrier, 1 CARRIAGE BOLT, CARRIAGE BOLT BUSHING ADJUSTMENT KNOB 2 ADJUSTMENT KNOB BUSHINGS BIKE TUBE PAD, 2 BUTTON HEAD SCREW(M6X1.0X30MM) 2 NYLON WASHERS AND SPRING TOOL, Screw Driver
-5	05066632AA	1							

**CONCORDE,INTREPID,VISION,300M,NEW YORKER,LHS (LH)**

SERIES	LINE	BODY
P = Premium	H = Chrysler Intrepid	41 = 4 Door Sedan
H = High Line	D = Dodge Intrepid	
S = Special	C = Concorde	
M = LXi	Y = 300M	
X = R/T		

ENGINE	TRANSMISSION
EER = Engine - 2.7L V6 DOHC 24 Valve MPI	DGX = Transmission - 4-Speed Automatic
EGC = Engine - "Magnum" 3.5L V6 SOHC 24V	DG0 = All Automatic Transmissions
EGG = Engine - 3.5L High Output V6 24V MPI	
EGJ = Engine - 3.5L V6 SOHC 24 Valve	
EGK = Engine - 3.5L High Output V6 24V MPI	

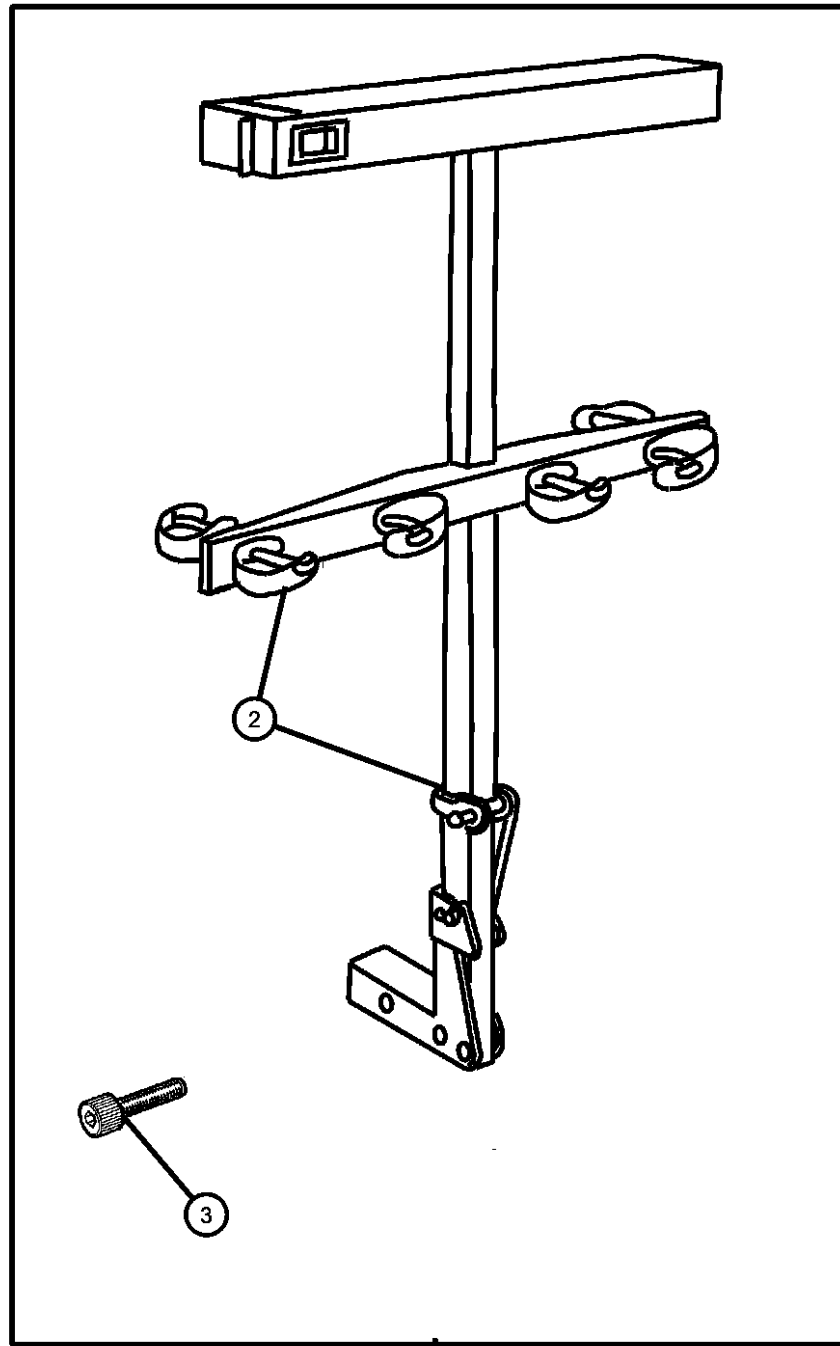
AR = use ase required - = Non illustrated part

**Ski Carrier - Hitch Mount**  
**Figure 1-220**

ITEM	PART NUMBER	QTY	LINE	SERIES	BODY	ENGINE	TRANS	TRIM	DESCRIPTION
------	-------------	-----	------	--------	------	--------	-------	------	-------------

NOTE: For use with a 1.25' Hitch Receiver.

1	82204454	1	C, D, Y		41				CARRIER KIT, Ski - 4 Pair
2	05016775AA	1	C, D, Y		41				STRAP KIT, Bike Carrier Latch
3	05016774AA	1	C, D, Y		41				BOLT KIT, Security



**CONCORDE,INTREPID,VISION,300M,NEW YORKER,LHS (LH)**

SERIES	LINE	BODY
P = Premium	H = Chrysler Intrepid	41 = 4 Door Sedan
H = High Line	D = Dodge Intrepid	
S = Special	C = Concorde	
M = LXi	Y = 300M	
X = R/T		

ENGINE	TRANSMISSION
EER = Engine - 2.7L V6 DOHC 24 Valve MPI	DGX = Transmission - 4-Speed Automatic
EGC = Engine - "Magnum" 3.5L V6 SOHC 24V	DG0 = All Automatic Transmissions
EGG = Engine - 3.5L High Output V6 24V MPI	
EGJ = Engine - 3.5L V6 SOHC 24 Valve	
EGK = Engine - 3.5L High Output V6 24V MPI	

AR = use ase required - = Non illustrated part

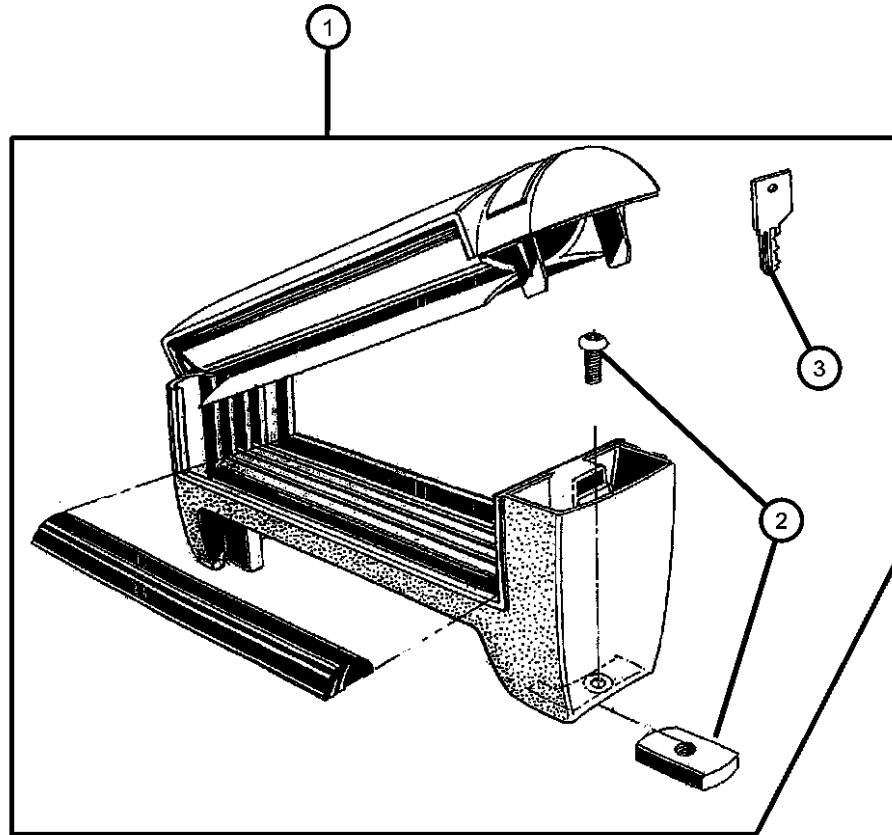
2002 LH

**Ski Carrier - Roof Mount**  
**Figure 1-222**

ITEM	PART NUMBER	QTY	LINE	SERIES	BODY	ENGINE	TRANS	TRIM	DESCRIPTION
------	-------------	-----	------	--------	------	--------	-------	------	-------------

NOTE: New keys are Vendor Ship Direct.

1	82203474	1							CARRIER KIT, Ski - 2 Pair, High Mount
2	05018389AA	1							HARDWARE KIT, Mounting
3	05018389AA	1							KEY, Master, (NOT SERVICED)



**CONCORDE,INTREPID,VISION,300M,NEW YORKER,LHS (LH)**

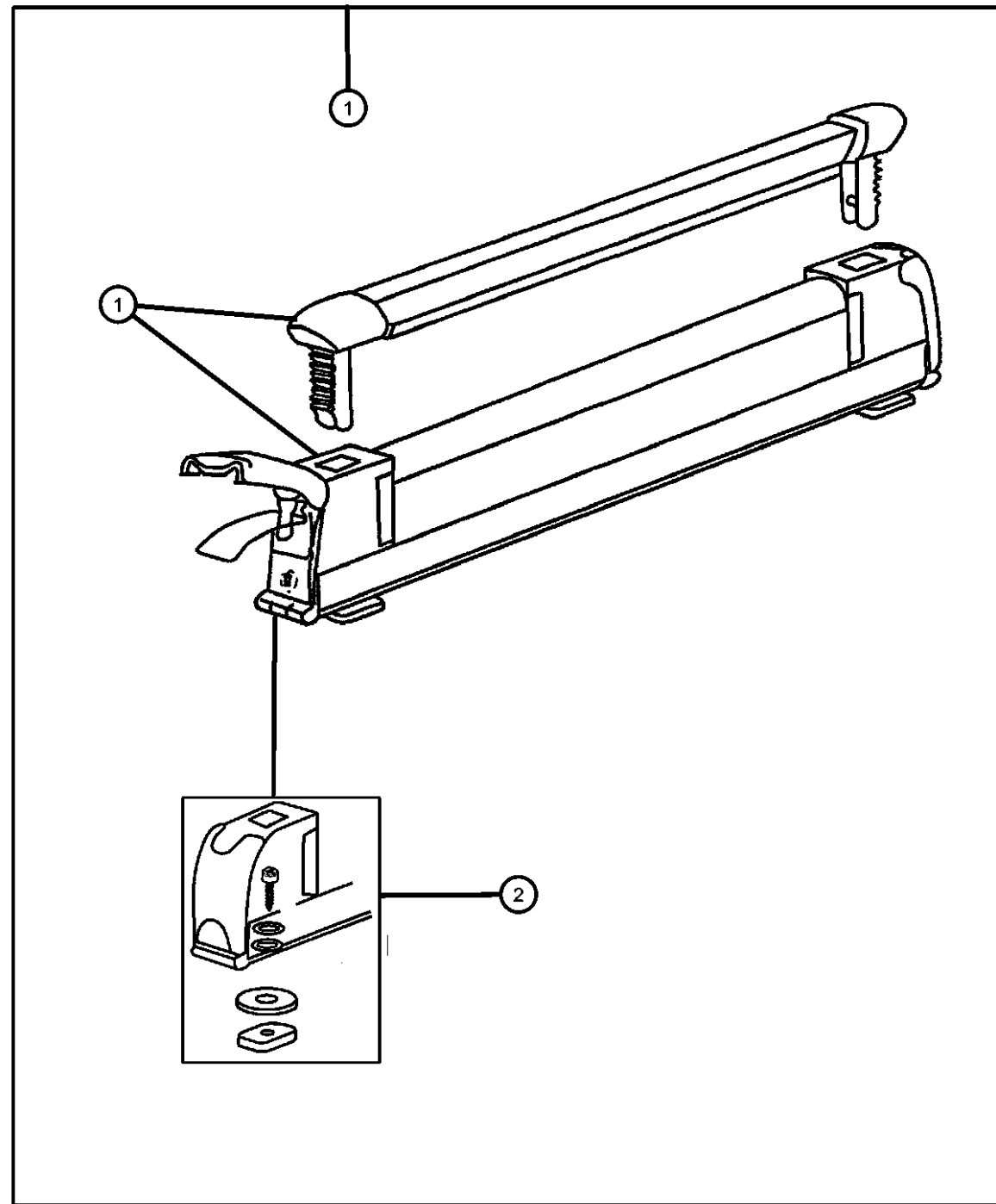
SERIES	LINE	BODY
P = Premium	H = Chrysler Intrepid	41 = 4 Door Sedan
H = High Line	D = Dodge Intrepid	
S = Special	C = Concorde	
M = LXi	Y = 300M	
X = R/T		

ENGINE	TRANSMISSION
EER = Engine - 2.7L V6 DOHC 24 Valve MPI	DGX = Transmission - 4-Speed Automatic
EGC = Engine - "Magnum" 3.5L V6 SOHC 24V	DG0 = All Automatic Transmissions
EGG = Engine - 3.5L High Output V6 24V MPI	
EGJ = Engine - 3.5L V6 SOHC 24 Valve	
EGK = Engine - 3.5L High Output V6 24V MPI	

AR = use ase required - = Non illustrated part

2002 LH

Ski Carrier - Roof Mount  
Figure 1-224



ITEM	PART NUMBER	QTY	LINE	SERIES	BODY	ENGINE	TRANS	TRIM	DESCRIPTION
1	82207308	1							CARRIER KIT, Ski
2	05086158AA	1							HARDWARE KIT, Accessory, Contains: 4 - 25MM Screws, 4 - 20M Screws, 4 - 16MM Screws, 4 - Lock Washers, 4 - Flat Washers, 4 - - T Plates, 4 - Rubber Washers

CONCORDE,INTREPID,VISION,300M,NEW YORKER,LHS (LH)

SERIES	LINE	BODY
P = Premium	H = Chrysler Intrepid	41 = 4 Door Sedan
H = High Line	D = Dodge Intrepid	
S = Special	C = Concorde	
M = LXi	Y = 300M	
X = R/T		

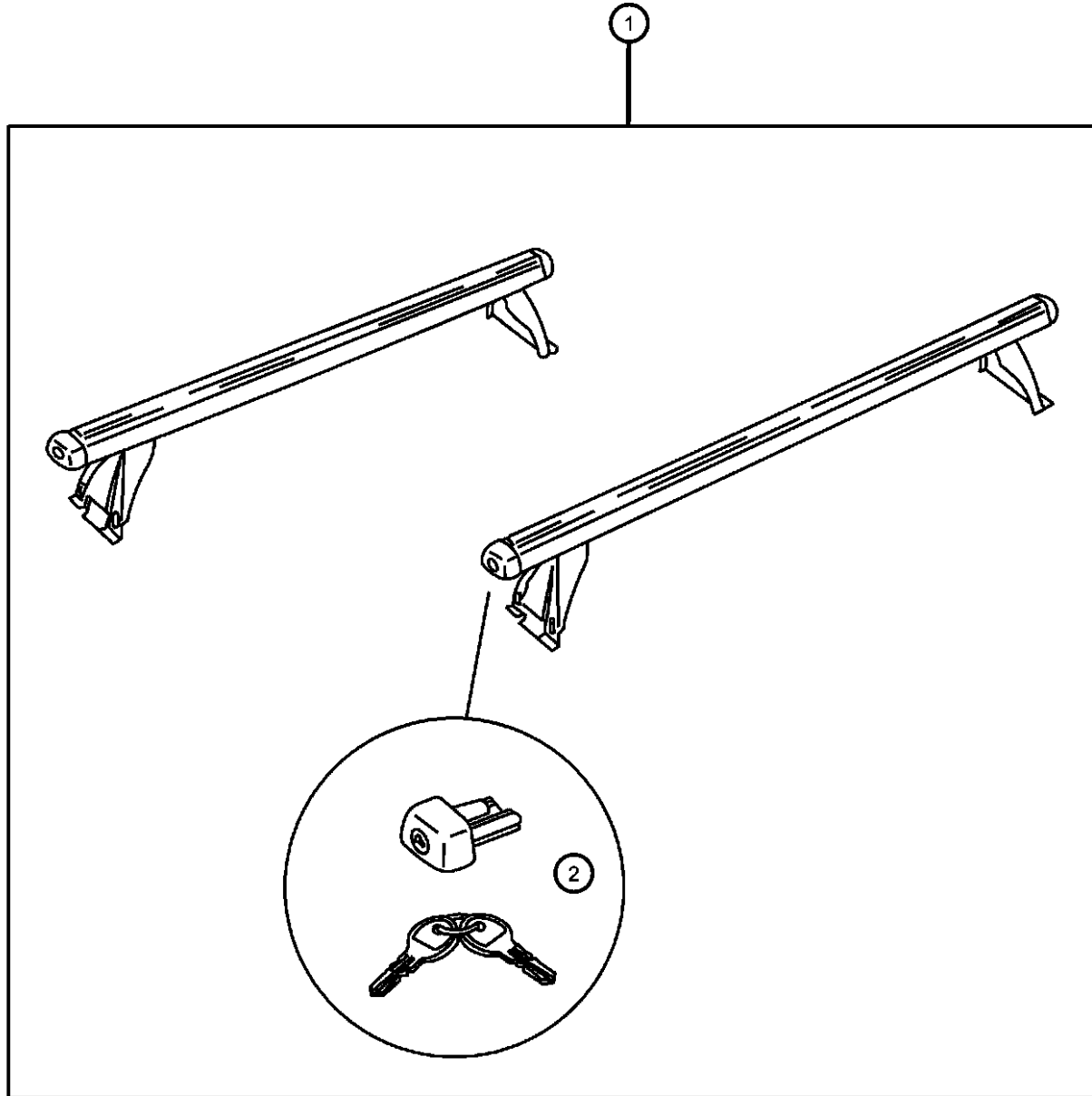
ENGINE	TRANSMISSION
EER = Engine - 2.7L V6 DOHC 24 Valve MPI	DGX = Transmission - 4-Speed Automatic
EGC = Engine - "Magnum" 3.5L V6 SOHC 24V	DG0 = All Automatic Transmissions
EGG = Engine - 3.5L High Output V6 24V MPI	
EGJ = Engine - 3.5L V6 SOHC 24 Valve	
EGK = Engine - 3.5L High Output V6 24V MPI	

AR = use ase required - = Non illustrated part

2002 LH

Rack Kit - Roof  
Figure 1-230

ITEM	PART NUMBER	QTY	LINE	SERIES	BODY	ENGINE	TRANS	TRIM	DESCRIPTION
1	82206610	1			41				RACK KIT, Multipurpose
2	05072276AA	1	Y		41				END CAP, Roof Rack Side Rail, With set of keys
-3	05066632AA	1	Y		41				TOOL, Screw Driver



CONCORDE,INTREPID,VISION,300M,NEW YORKER,LHS (LH)

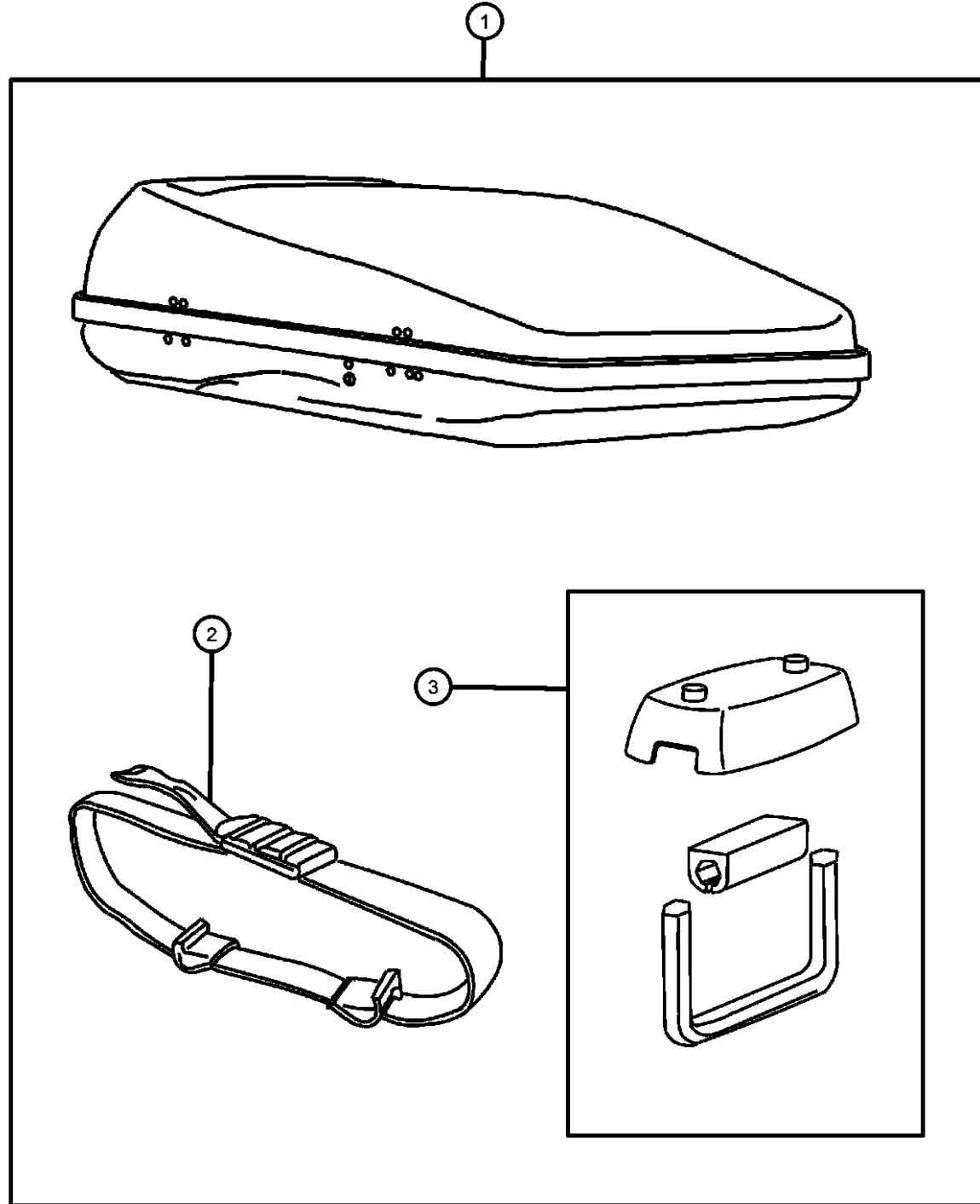
SERIES	LINE	BODY
P = Premium	H = Chrysler Intrepid	41 = 4 Door Sedan
H = High Line	D = Dodge Intrepid	
S = Special	C = Concorde	
M = LXi	Y = 300M	
X = R/T		

ENGINE	TRANSMISSION
EER = Engine - 2.7L V6 DOHC 24 Valve MPI	DGX = Transmission - 4-Speed Automatic
EGC = Engine - "Magnum" 3.5L V6 SOHC 24V	DG0 = All Automatic Transmissions
EGG = Engine - 3.5L High Output V6 24V MPI	
EGJ = Engine - 3.5L V6 SOHC 24 Valve	
EGK = Engine - 3.5L High Output V6 24V MPI	

AR = use ase required - = Non illustrated part

2002 LH

Luggage Carrier  
Figure 1-235



ITEM	PART NUMBER	QTY	LINE	SERIES	BODY	ENGINE	TRANS	TRIM	DESCRIPTION
1	82207341	1			41				CARRIER KIT, Luggage 28'x90' 480L
	82207353	1			41				31'x71' 430L
2	05086160AA	1			41				STRAP, Cargo Tie Down
3	05086159AA	1			41				HARDWARE KIT

CONCORDE,INTREPID,VISION,300M,NEW YORKER,LHS (LH)

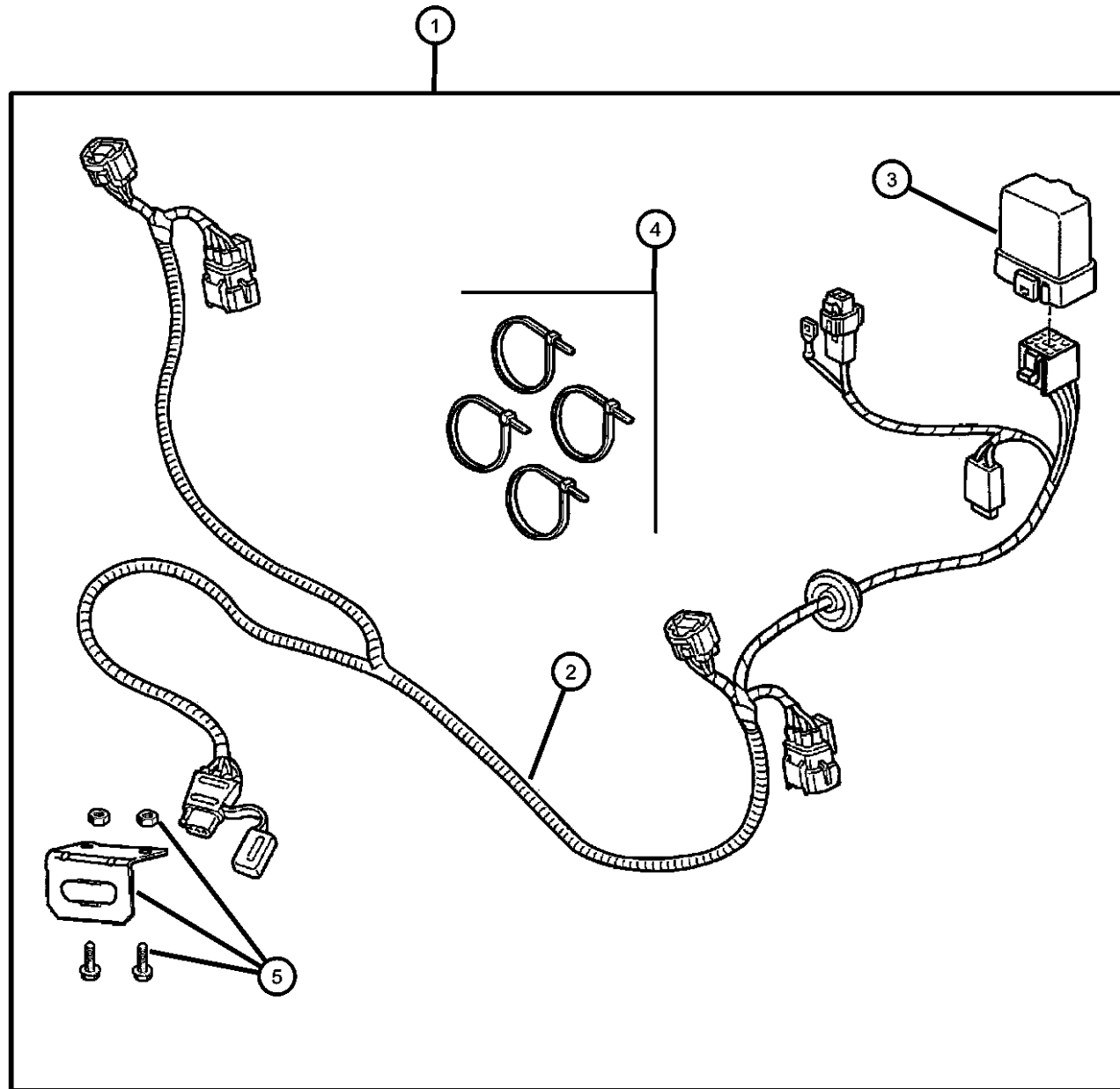
SERIES	LINE	BODY
P = Premium	H = Chrysler Intrepid	41 = 4 Door Sedan
H = High Line	D = Dodge Intrepid	
S = Special	C = Concorde	
M = LXi	Y = 300M	
X = R/T		

ENGINE	TRANSMISSION
EER = Engine - 2.7L V6 DOHC 24 Valve MPI	DGX = Transmission - 4-Speed Automatic
EGC = Engine - "Magnum" 3.5L V6 SOHC 24V	DG0 = All Automatic Transmissions
EGG = Engine - 3.5L High Output V6 24V MPI	
EGJ = Engine - 3.5L V6 SOHC 24 Valve	
EGK = Engine - 3.5L High Output V6 24V MPI	

AR = use ase required - = Non illustrated part



Trailer Tow Harness  
Figure 1-290



ITEM	PART NUMBER	QTY	LINE	SERIES	BODY	ENGINE	TRANS	TRIM	DESCRIPTION
1									WIRING PACKAGE, Trailer Tow
	82204638	1	D, Y		41				
	82204639	1	C		41				
2	82202089	1							WIRING, Trailer Tow, Vehicle and trailer side 4 way flat repair kit
3									MODULE, Lighting Control
	04672295	1	D, Y		41				
		1	C		41				
4									STRAP, Tie
	04641780	1							7 Inch - Four Required
	06016155	1							14.5 Inch - Four Required
5									BRACKET KIT, Trailer Tow
	82204602	1	C, D, Y		41				Consists of : L Bracket, 2 Screws, 2 Lock Nuts 4 way flat
	82204645	1							7 way round
-6									WIRING KIT, Trailer Lights
	82206367	1	Y		41				European 13 pin high spec
	82206368	1	Y		41				European 7 pin high spec
	82206369	1	Y		41				European 7 pin Low Spec

CONCORDE,INTREPID,VISION,300M,NEW YORKER,LHS (LH)

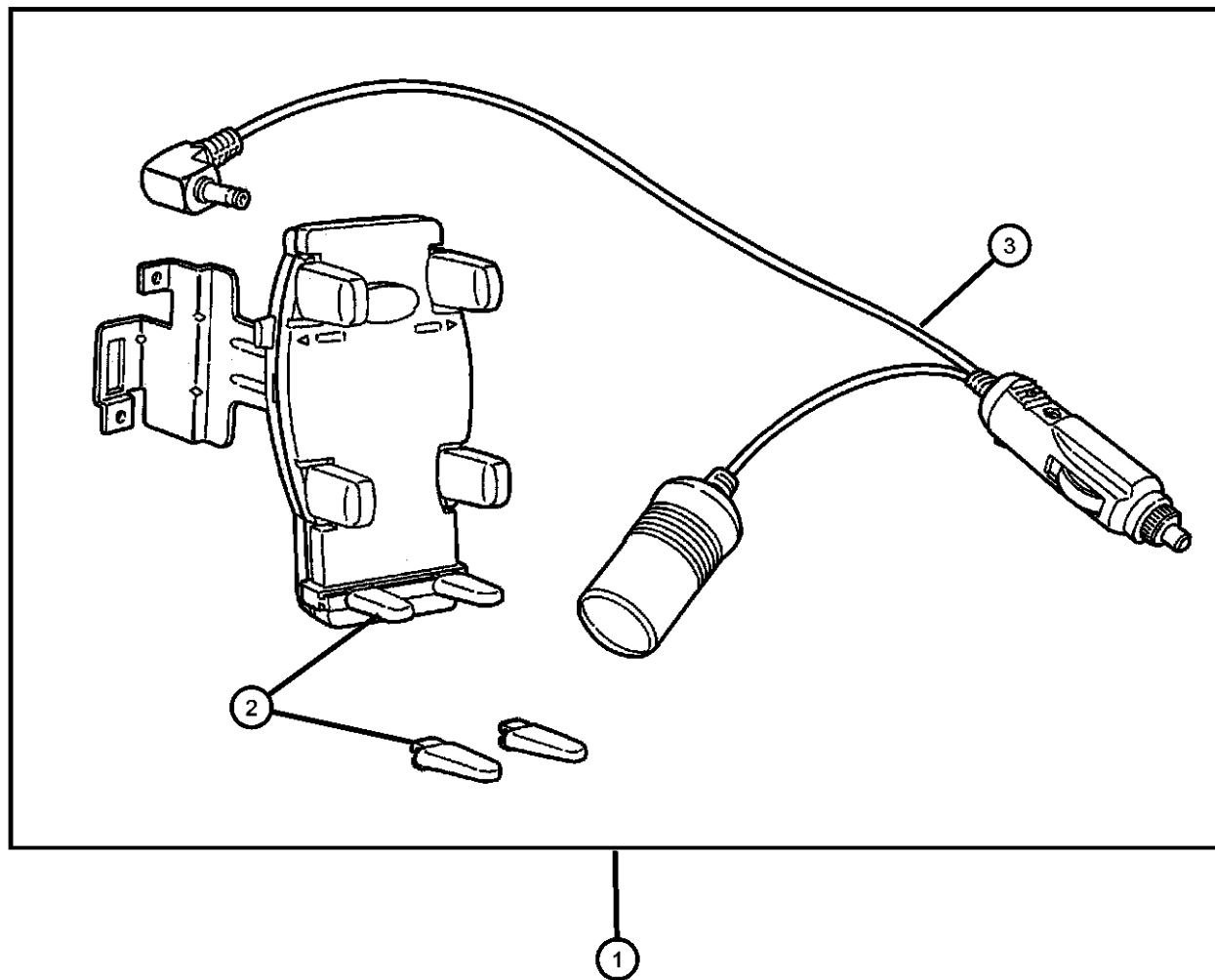
SERIES	LINE	BODY
P = Premium	H = Chrysler Intrepid	41 = 4 Door Sedan
H = High Line	D = Dodge Intrepid	
S = Special	C = Concorde	
M = LXi	Y = 300M	
X = R/T		

ENGINE	TRANSMISSION
EER = Engine - 2.7L V6 DOHC 24 Valve MPI	DGX = Transmission - 4-Speed Automatic
EGC = Engine - "Magnum" 3.5L V6 SOHC 24V	DG0 = All Automatic Transmissions
EGG = Engine - 3.5L High Output V6 24V MPI	
EGJ = Engine - 3.5L V6 SOHC 24 Valve	
EGK = Engine - 3.5L High Output V6 24V MPI	

AR = use ase required - = Non illustrated part

**Mounting Kit - Cell Phone**  
**Figure 1-330**

ITEM	PART NUMBER	QTY	LINE	SERIES	BODY	ENGINE	TRANS	TRIM	DESCRIPTION
NOTE: Holds any wireless handset. Installs to instrument panel.									
1	82205270	1	C, D, Y		41				MOUNTING KIT, Cellular Phone
2	05018103AA	1	C, D, Y		41				HARDWARE KIT, Accessory, Contains: Set of long and short support feet.
3	05016536AA	1	C, D, Y		41				CORD, Cellular Phone, 18 inch in length, has 'Y' feed for another 12V accessory.



**CONCORDE,INTREPID,VISION,300M,NEW YORKER,LHS (LH)**

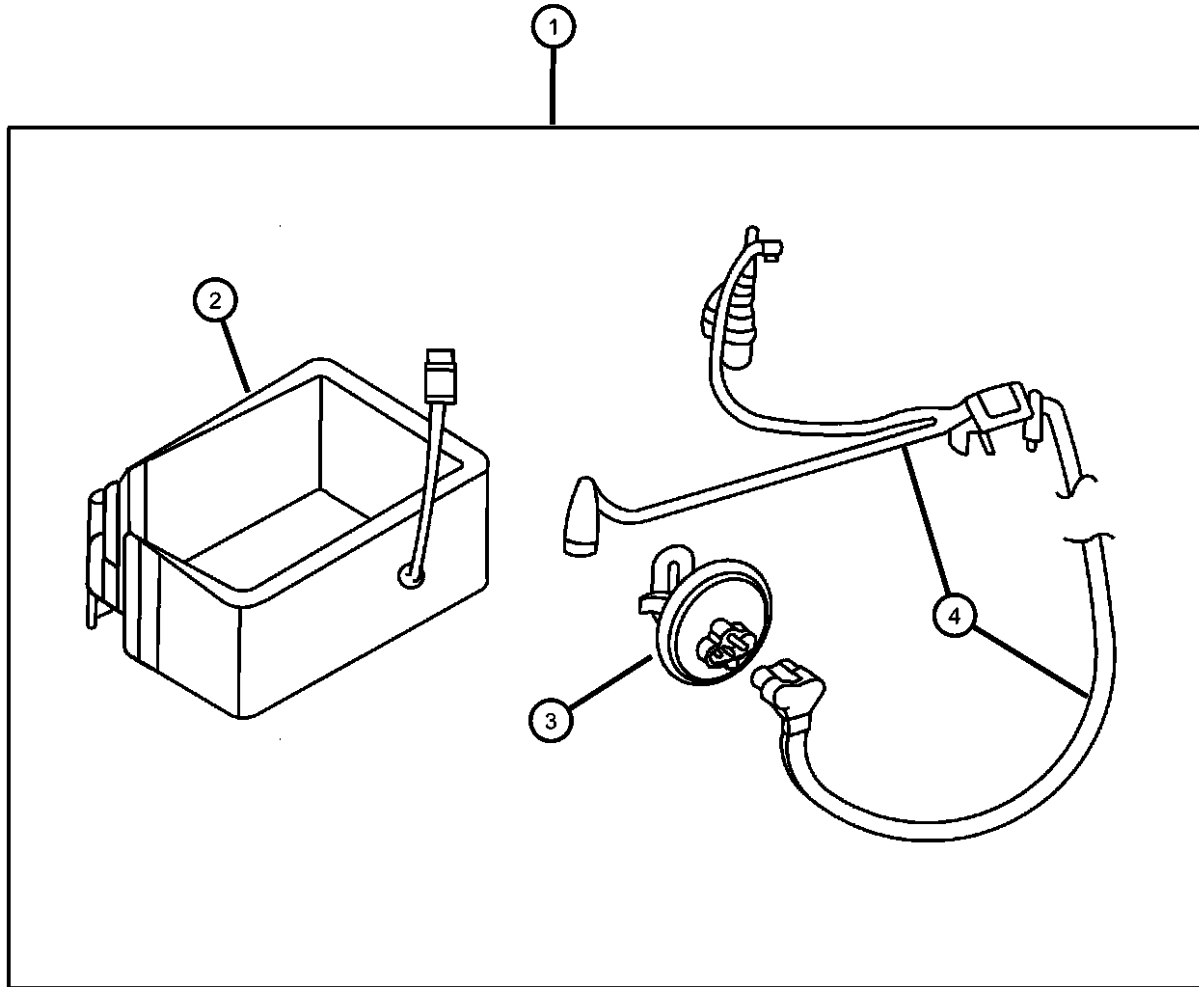
SERIES	LINE	BODY
P = Premium	H = Chrysler Intrepid	41 = 4 Door Sedan
H = High Line	D = Dodge Intrepid	
S = Special	C = Concorde	
M = LXi	Y = 300M	
X = R/T		

ENGINE	TRANSMISSION
EER = Engine - 2.7L V6 DOHC 24 Valve MPI	DGX = Transmission - 4-Speed Automatic
EGC = Engine - "Magnum" 3.5L V6 SOHC 24V	DG0 = All Automatic Transmissions
EGG = Engine - 3.5L High Output V6 24V MPI	
EGJ = Engine - 3.5L V6 SOHC 24 Valve	
EGK = Engine - 3.5L High Output V6 24V MPI	

AR = use ase required - = Non illustrated part

**Heater Kit - Engine and Battery**  
**Figure 1-610**

ITEM	PART NUMBER	QTY	LINE	SERIES	BODY	ENGINE	TRANS	TRIM	DESCRIPTION
1	82203641	1	C, D, Y		41				HEATER KIT, Engine and Battery
2	04609098AB	1							HEATER, Battery
3	04609325AB	1							HEATER, Engine Block
4	04609121AD	1							CORD, Engine Block Heater



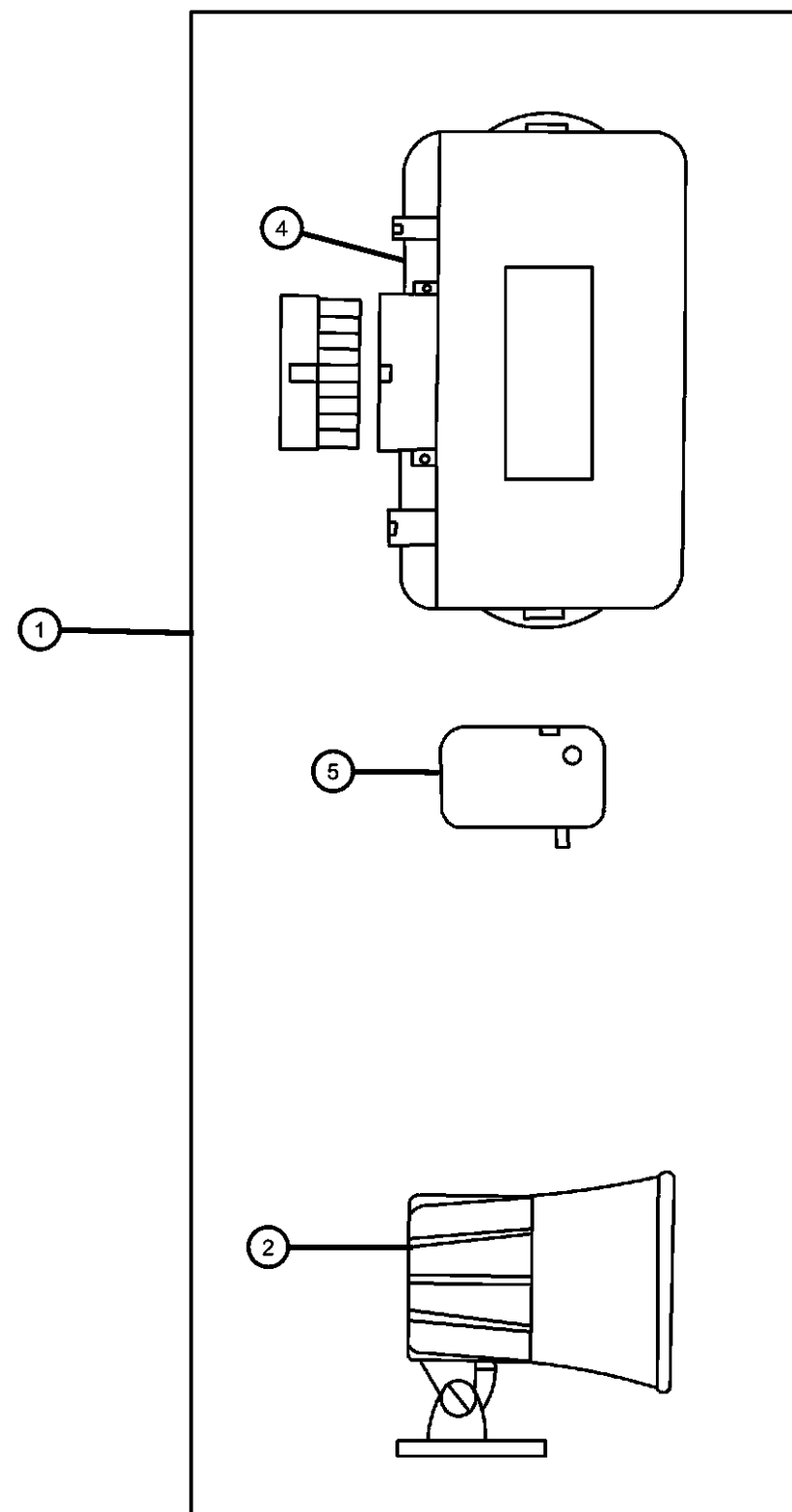
**CONCORDE,INTREPID,VISION,300M,NEW YORKER,LHS (LH)**

SERIES	LINE	BODY
P = Premium	H = Chrysler Intrepid	41 = 4 Door Sedan
H = High Line	D = Dodge Intrepid	
S = Special	C = Concorde	
M = LXi	Y = 300M	
X = R/T		

ENGINE	TRANSMISSION
EER = Engine - 2.7L V6 DOHC 24 Valve MPI	DGX = Transmission - 4-Speed Automatic
EGC = Engine - "Magnum" 3.5L V6 SOHC 24V	DG0 = All Automatic Transmissions
EGG = Engine - 3.5L High Output V6 24V MPI	
EGJ = Engine - 3.5L V6 SOHC 24 Valve	
EGK = Engine - 3.5L High Output V6 24V MPI	

AR = use ase required - = Non illustrated part

**Alarm - EVSII**  
**Figure 1-914**



ITEM	PART NUMBER	QTY	LINE	SERIES	BODY	ENGINE	TRANS	TRIM	DESCRIPTION
1	82204268	1			41				MODULE, Security Alarm
2	82203198	1	C, D, Y		41				SIREN, Alarm
-3	04886259AA	1			41				INDICATOR, Valet Status
4	05011619AA	1	C, D, Y		41				MODULE, Security Alarm
5	04886261AB	1	C, D, Y		41				SENSOR, Shock, With Connector
-6	82203768	1	C, D, Y		41				WIRING KIT, Alarm Security Plus, Required for Installation

**CONCORDE,INTREPID,VISION,300M,NEW YORKER,LHS (LH)**

SERIES	LINE	BODY
P = Premium	H = Chrysler Intrepid	41 = 4 Door Sedan
H = High Line	D = Dodge Intrepid	
S = Special	C = Concorde	
M = LXi	Y = 300M	
X = R/T		

ENGINE	TRANSMISSION
EER = Engine - 2.7L V6 DOHC 24 Valve MPI	DGX = Transmission - 4-Speed Automatic
EGC = Engine - "Magnum" 3.5L V6 SOHC 24V	DG0 = All Automatic Transmissions
EGG = Engine - 3.5L High Output V6 24V MPI	
EGJ = Engine - 3.5L V6 SOHC 24 Valve	
EGK = Engine - 3.5L High Output V6 24V MPI	

AR = use ase required - = Non illustrated part