

VIN PLATE DECODING INFORMATION

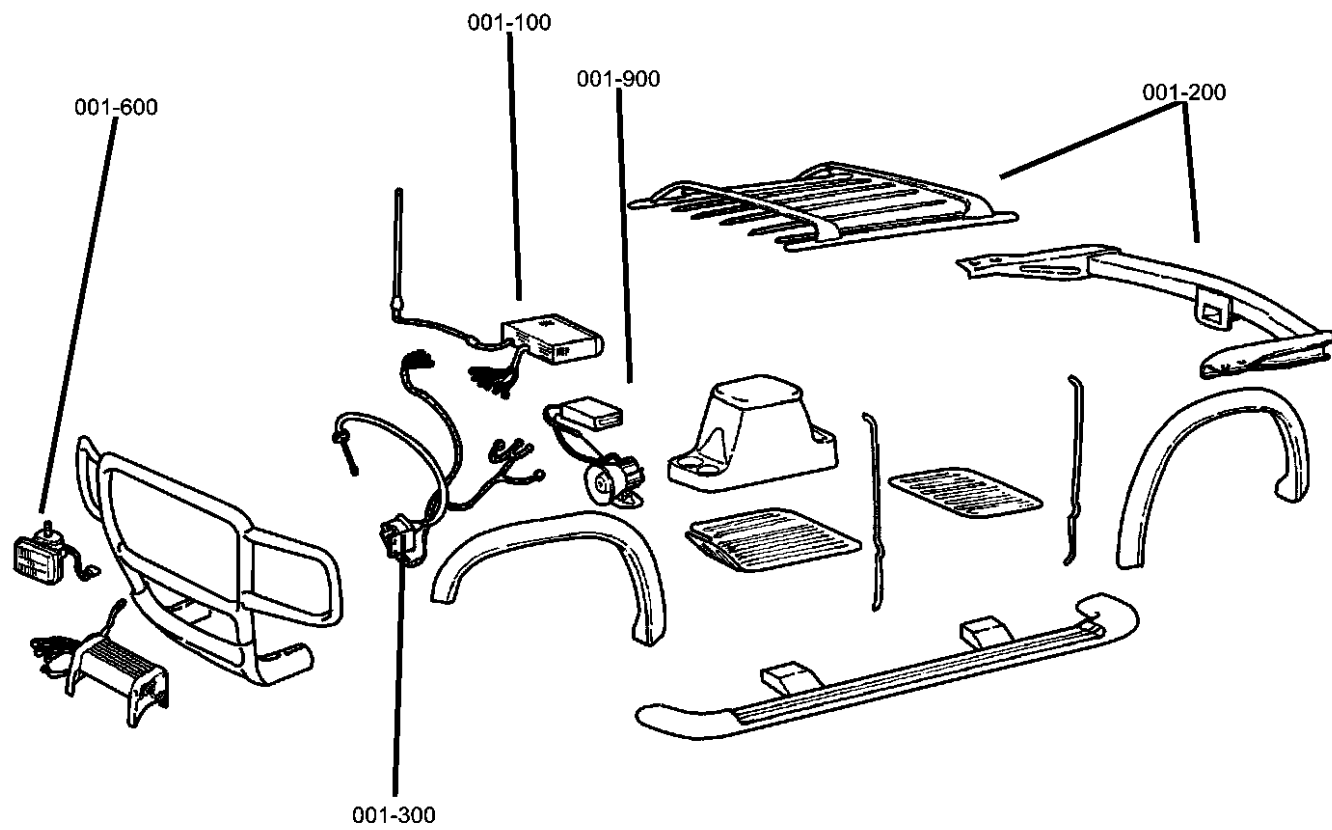
1	2	3	4	5	6	7	8	9	10	11	12 thru 17
Country	Make	Vehicle Type	Other	Line	Series	Body Style	Engine	Check Digit	Model Year	Assy. Plant	Sequence No.

The following table interprets the VIN Plate position shown above.

Position	Interpretation	Codes = Description
1	Country of Origin	2 = Built in Canada
2	Assembler	B = Dodge C = Chrysler
3	Vehicle Type	3 = Passenger Car
4	GVWR & Pass. Safety	H = Restraint System Active Driver & Passenger Air Bag
5	Vehicle Line	C = Chrysler LHS C = Chrysler Concorde D = Dodge Intrepid E = Chrysler 300M H = Chrysler Intrepid (Canada)
6	Series	3 = Medium Line (M) 4 = High Line (H) 5 = Premium Line (P) 6 = Sport Line (S) X = Special Line (X)
7	Body Style	6 = 4 Door Sedan 6 = 4 Door Sedan
8	Engine	G = 3.5L 6 cyl. 24V (EGG) J = 3.2L 6 cyl. 24V SOHC (EGW) R = 2.7L 6 cyl. DOHC FF (EER) U = 2.7L 6 cyl. DOHC 24V SFI (EES) V = 3.5L 6 cyl. 24V SOHC Magnum (EGC)
9	Check Digit	0 = Check Digit 0 = Check Digit
10	Model Year	1 = 2001
11	Assembly Plant	H = Brampton Assembly
12 thru 17	Vehicle Build Sequence	Model Year Assembly Sequence

Group - 1

Component Parts for Mopar Accessories



Group - 1 Component Parts for Mopar Accessories

Illustration Title

Group-Fig. No.

Audio & Electronics

Player Kit - CD Changer - 4 Disc.....	Fig. 1 - 110
Player Kit - CD Changer - 6 Disc.....	Fig. 1 - 115
Player Kit - CD Changer - 12 Disc.....	Fig. 1 - 120
Install Kit - CD Changer - Trunk.....	Fig. 1 - 130
Navigation Kit.....	Fig. 1 - 140

Carriers & Cargo Hauling

Bike Carrier - Hitch Mount.....	Fig. 1 - 210
Bike Carrier - Roof Mount.....	Fig. 1 - 212
Bike Carrier - Roof Mount.....	Fig. 1 - 214
Ski Carrier - Hitch Mount.....	Fig. 1 - 220
Ski Carrier - Roof Mount.....	Fig. 1 - 222
Ski Carrier - Roof Mount.....	Fig. 1 - 224
Rack Kit - Roof.....	Fig. 1 - 230
Trailer Tow Harness.....	Fig. 1 - 290

Driving Convenience

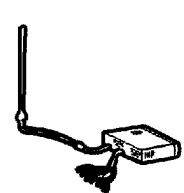
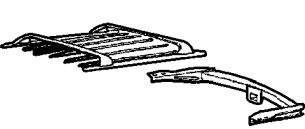


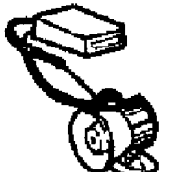
Mounting Kit - Cell Phone.....	Fig. 1 - 330
--------------------------------	--------------

Fog Lights & Electrical

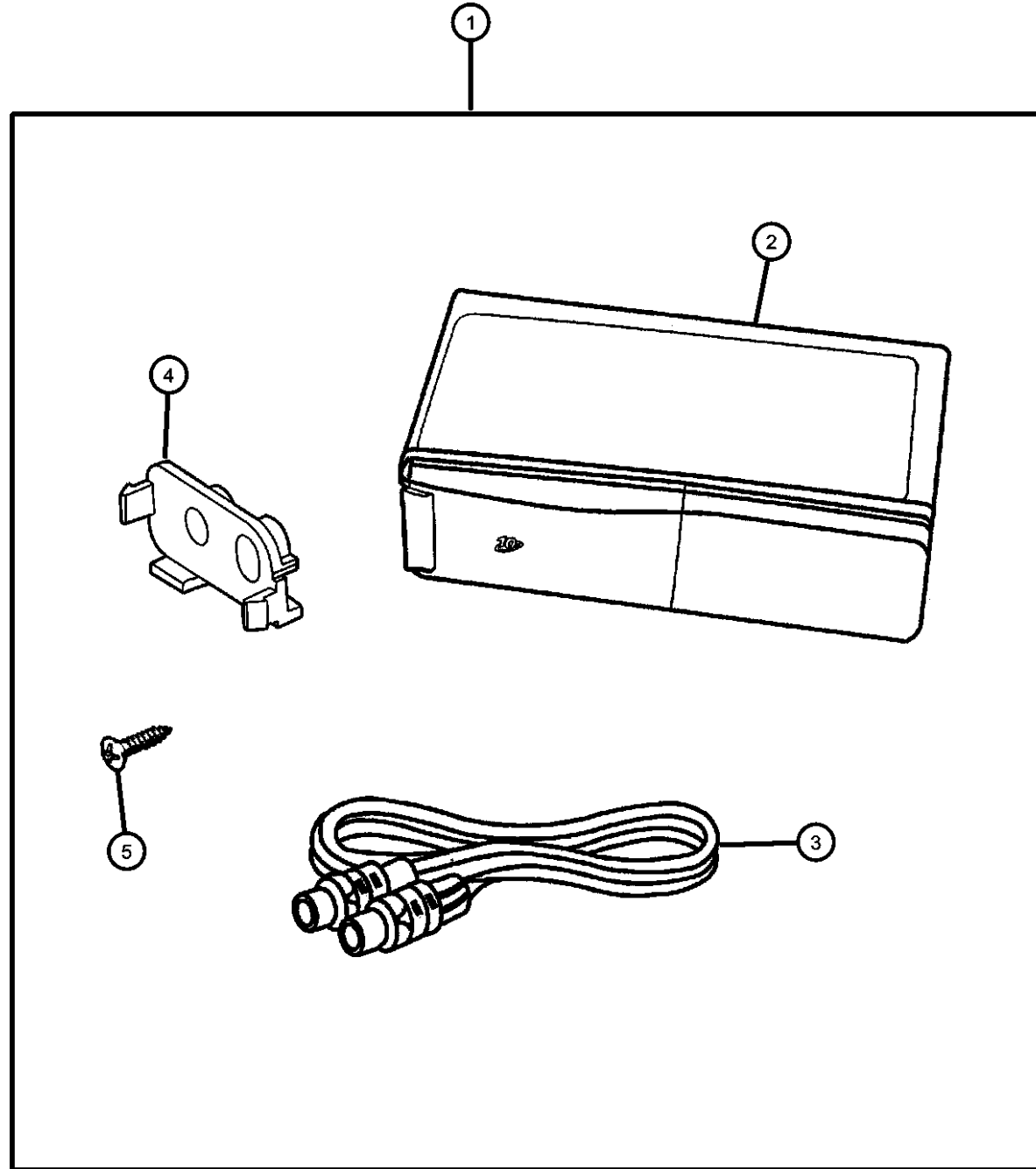
Heater Kit - Engine and Battery.....	Fig. 1 - 610
--------------------------------------	--------------

Security

Alarm, EVS II Security Plus.....	Fig. 1 - 910
Module Package - Keyless Entry.....	Fig. 1 - 920

<p>001-100 Audio & Electronics</p> 	<p>001-200 Carriers & Cargo Hauling</p> 	<p>001-300 Driving Convenience</p> 	<p>001-600 Fog Lights & Electrical</p> 
<p>001-900 Security</p> 			

Player Kit - CD Changer - 4 Disc
Figure 1-110



ITEM	PART NUMBER	QTY	LINE	SERIES	BODY	ENGINE	TRANS	TRIM	DESCRIPTION
1	82205893	1	C, D, Y		41				PLAYER PACKAGE, CD Changer - 4 Disc
2	82205893	1							CHANGER, CD, Serviced in package only, (NOT SERVICED)
3	04759529AA	1	C, D, Y		41				DIN CORD, CD Player
4	04595829AA	1	C, D, Y		41				ADAPTOR, CD changer
5	06032723	1	C, D, Y		41				SCREW, Self Tapping, M4.2x1.69x19.05

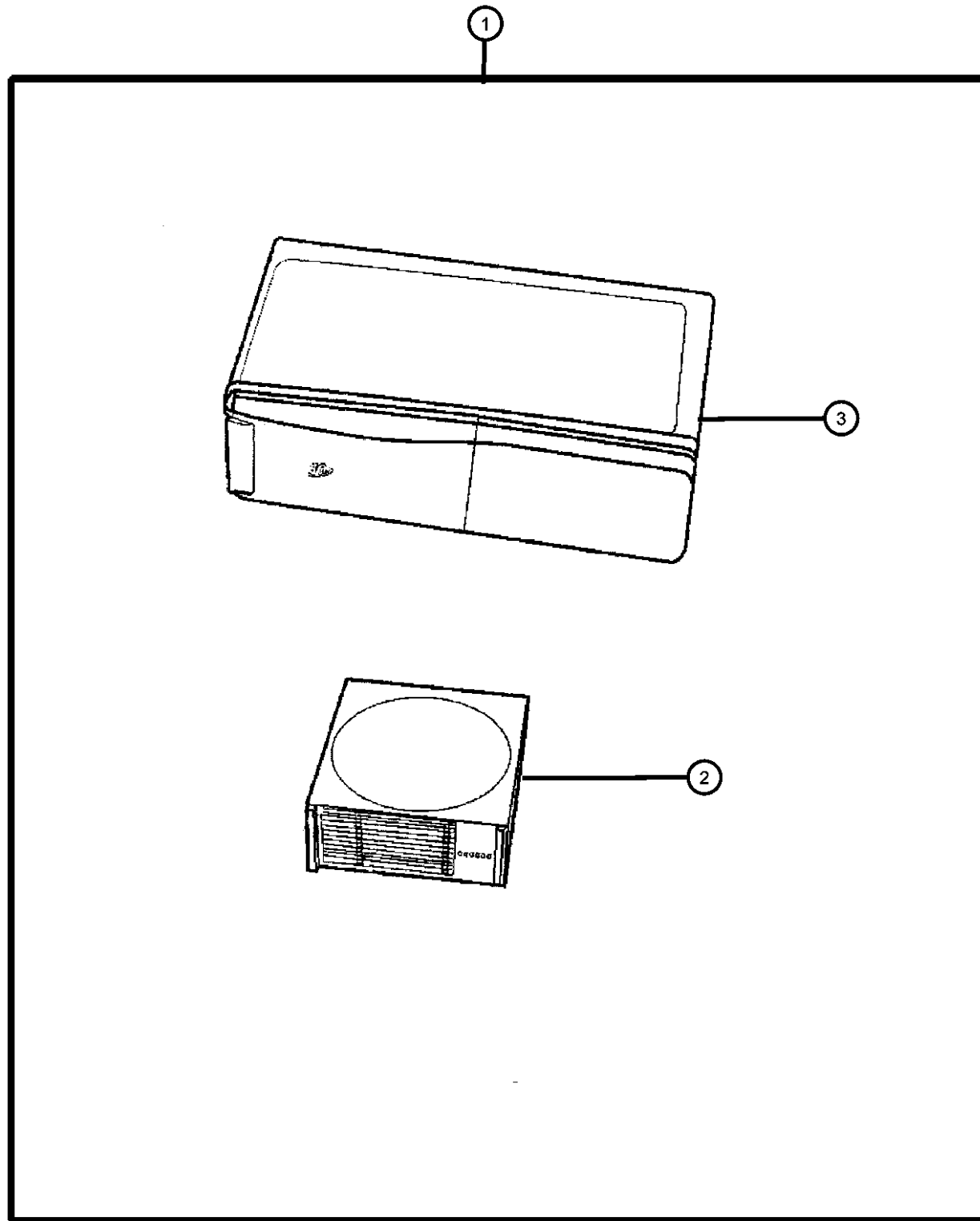
CONCORDE,INTREPID,VISION,300M,NEW YORKER,LHS (LH)

SERIES	LINE	BODY
H = HIGHLINE	C = CHRYSLER	41 = SEDAN/QUAD CAB
M = MEDIUM	L = CHRYSLER	SWB
P = PREMIUM	Y = CHRYSLER	
S = SPORT	D = DODGE	
X = SPECIAL	X = EAGLE	

ENGINE	TRANSMISSION
EER = ENGINE - 2.7L V6 DOHC 24 VALVE MPI	DGX = TRANSMISSION - 4-SPEED AUTOMATIC
EES = ENGINE - 2.7L V6 24V W/ACTIVE INTAKE	
EGC = ENGINE - "MAGNUM" 3.5L V6 SOHC 24V	
EGG = ENGINE - 3.5L HIGH OUTPUT V6 24V MPI	
EGW = ENGINE - 3.2L V6 SOHC 24 VALVE MPI	

AR = use ase required - = Non illustrated part

**Player Kit - CD Changer - 6 Disc
Figure 1-115**



ITEM	PART NUMBER	QTY	LINE	SERIES	BODY	ENGINE	TRANS	TRIM	DESCRIPTION
------	-------------	-----	------	--------	------	--------	-------	------	-------------

NOTE; Use with CD-Controlled radios. For radios without CD Changer controls, use FM-Modulator Kit 82202292

1	82202700	1			41				PLAYER KIT, CD Changer - 6 Disc
2	04797433	1			41				MAGAZINE, CD Changer
3	04797433	1							CHANGER, CD, Serviced in Kit, (NOT SERVICED)

CONCORDE,INTREPID,VISION,300M,NEW YORKER,LHS (LH)

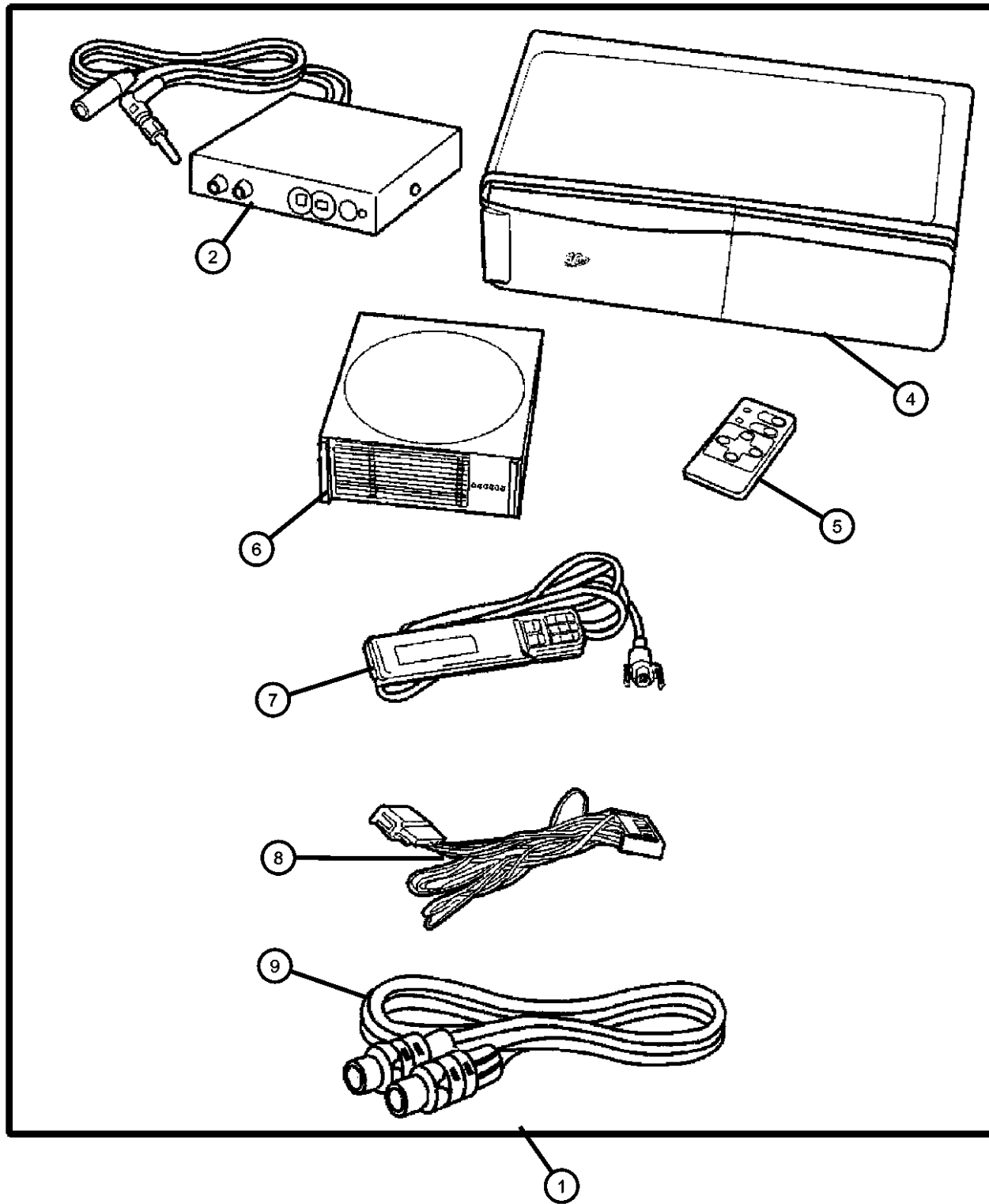
SERIES	LINE	BODY
H = HIGHLINE	C = CHRYSLER	41 = SEDAN/QUAD CAB
M = MEDIUM	L = CHRYSLER	SWB
P = PREMIUM	Y = CHRYSLER	
S = SPORT	D = DODGE	
X = SPECIAL	X = EAGLE	

ENGINE	TRANSMISSION
EER = ENGINE - 2.7L V6 DOHC 24 VALVE MPI	DGX = TRANSMISSION - 4-SPEED AUTOMATIC
EES = ENGINE - 2.7L V6 24V W/ACTIVE INTAKE	
EGC = ENGINE - "MAGNUM" 3.5L V6 SOHC 24V	
EGG = ENGINE - 3.5L HIGH OUTPUT V6 24V MPI	
EGW = ENGINE - 3.2L V6 SOHC 24 VALVE MPI	

AR = use ase required - = Non illustrated part

2001 LH

Player Kit - CD Changer - 12 Disc
Figure 1-120



ITEM	PART NUMBER	QTY	LINE	SERIES	BODY	ENGINE	TRANS	TRIM	DESCRIPTION
1	82204730	1	C, D, Y		41				PLAYER KIT, CD Changer - 12 Disc
2	05013804AA	1	C, D, Y		41				MODULATOR, FM
-3	05013800AA	1	C, D, Y		41				HARDWARE KIT, Mounting
4	05013806AA	1	C, D, Y		41				CHANGER, CD
5	05013802AA	1	C, D, Y		41				CONTROLLER, CD Wireless
6	05013805AA	1	C, D, Y		41				MAGAZINE, CD Changer
7	05013803AA	1	C, D, Y		41				CONTROLLER, CD Wired
8	04465117	1	C, D, Y		41				ADAPTOR, A/C
9	05013801AA	1	C, D, Y		41				DIN CORD, CD Player, 5 Meters Long

NOTE: For radio without CD controls. Pentastar Logo, Includes RF Modulator, Power Cord, Din Cord, Hand Held and IR Remote Controller and

CONCORDE,INTREPID,VISION,300M,NEW YORKER,LHS (LH)

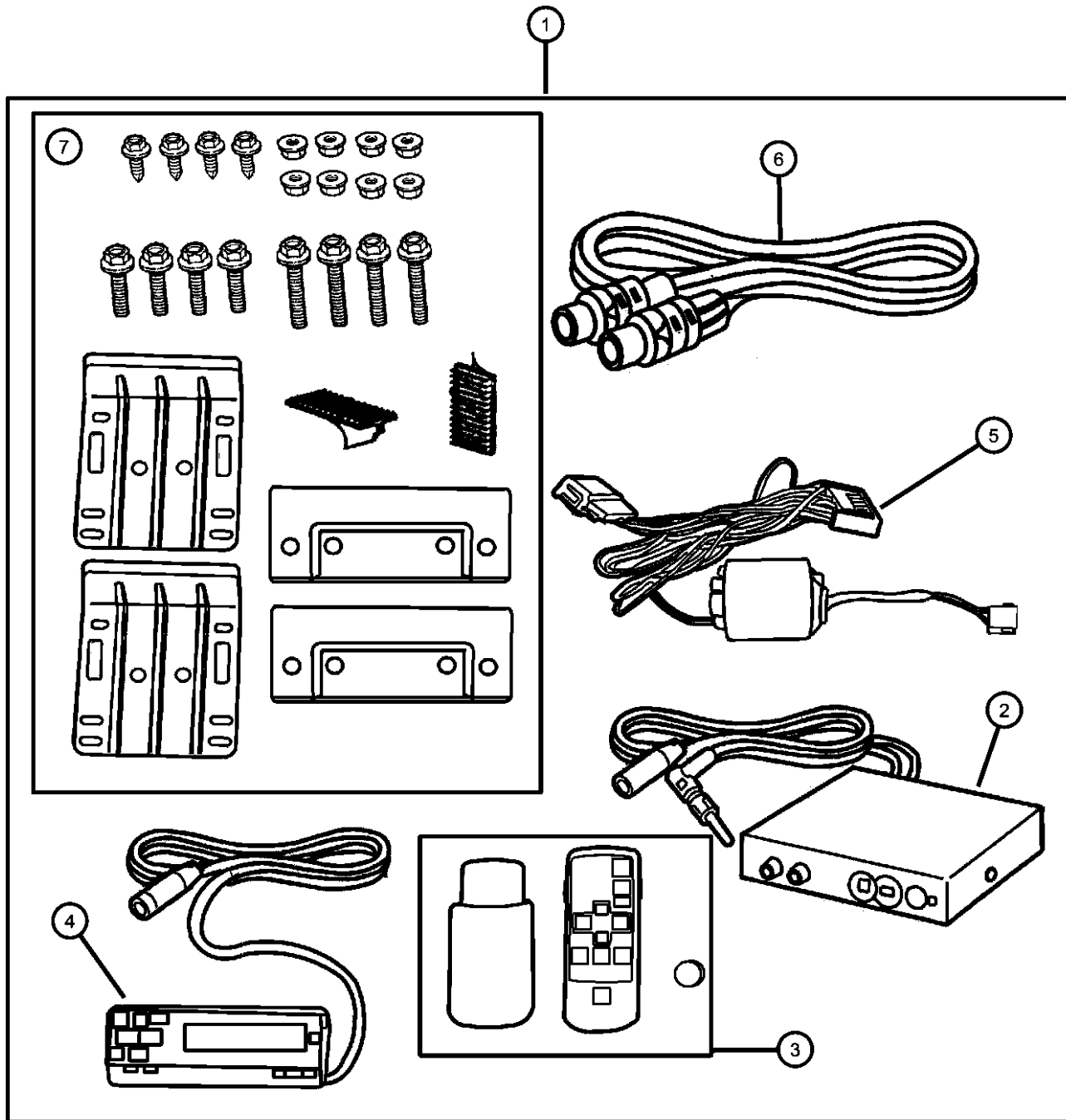
SERIES	LINE	BODY
H = HIGHLINE	C = CHRYSLER	41 = SEDAN/QUAD CAB
M = MEDIUM	L = CHRYSLER	SWB
P = PREMIUM	Y = CHRYSLER	
S = SPORT	D = DODGE	
X = SPECIAL	X = EAGLE	

ENGINE	TRANSMISSION
EER = ENGINE - 2.7L V6 DOHC 24 VALVE MPI	DGX = TRANSMISSION - 4-SPEED AUTOMATIC
EES = ENGINE - 2.7L V6 24V W/ACTIVE INTAKE	
EGC = ENGINE - "MAGNUM" 3.5L V6 SOHC 24V	
EGG = ENGINE - 3.5L HIGH OUTPUT V6 24V MPI	
EGW = ENGINE - 3.2L V6 SOHC 24 VALVE MPI	

AR = use ase required - = Non illustrated part

2001 LH

Install Kit - CD Changer - Trunk
Figure 1-130



ITEM	PART NUMBER	QTY	LINE	SERIES	BODY	ENGINE	TRANS	TRIM	DESCRIPTION
------	-------------	-----	------	--------	------	--------	-------	------	-------------

NOTE: FM Modulator, CD Controller, wired and Mounting Hardware Kit are serviced in the Install Kit only.

1	82202292	1			41				INSTALL KIT, CD Changer - Trunk
2	05012349AA	1			41				MODULATOR, FM Changer
3	05017217AA	1			41				CONTROLLER, CD Wireless
4	05013803AA	1	C, D, Y		41				CONTROLLER, CD Wired
5	04465117	1			41				ADAPTOR, A/C
6	04465113	1			41				CABLE, Din
7									BRACKET, Includes Hardware
	05017712AA	1			41				Right
	05017713AA	1			41				Left

CONCORDE,INTREPID,VISION,300M,NEW YORKER,LHS (LH)

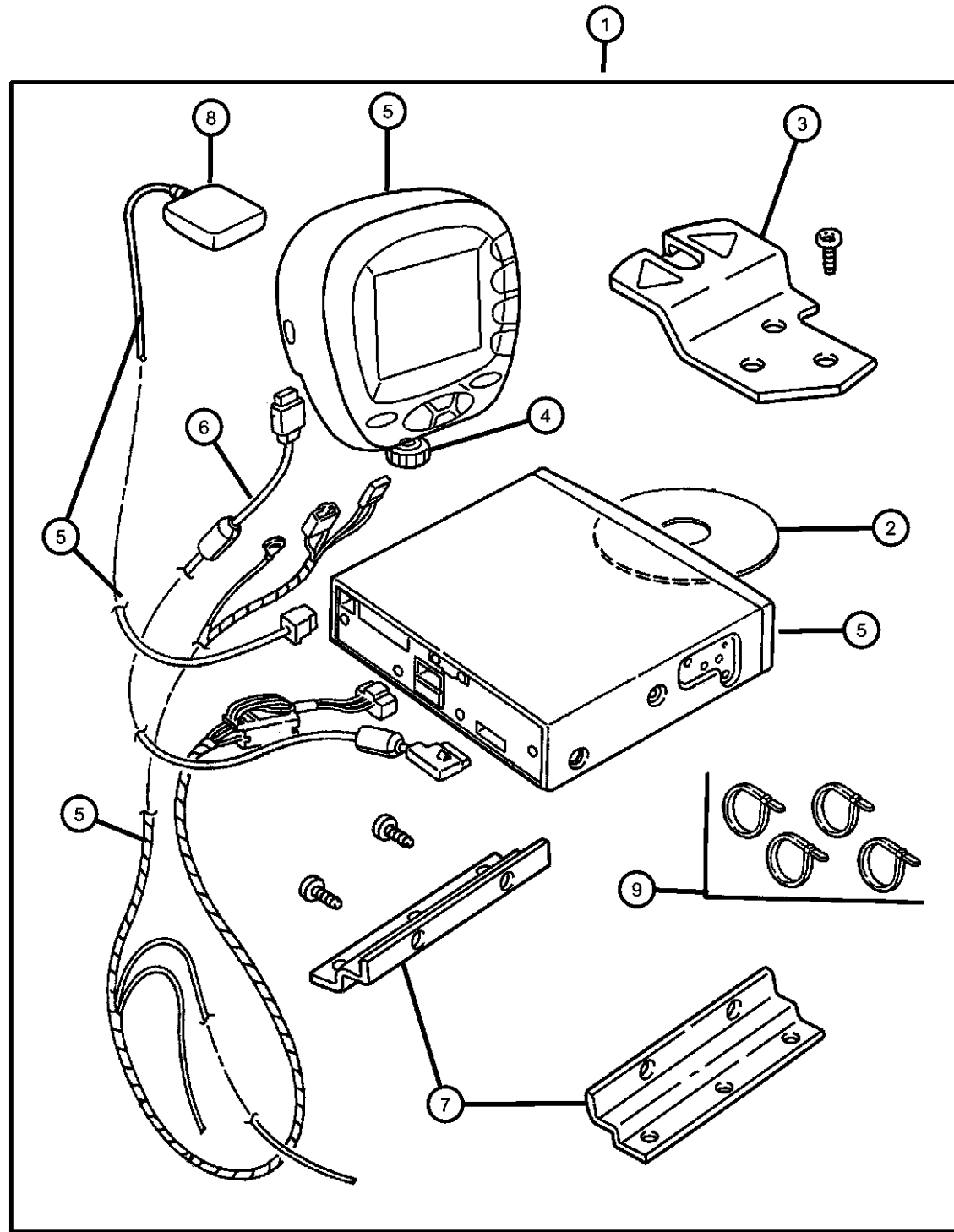
SERIES	LINE	BODY
H = HIGHLINE	C = CHRYSLER	41 = SEDAN/QUAD CAB
M = MEDIUM	L = CHRYSLER	SWB
P = PREMIUM	Y = CHRYSLER	
S = SPORT	D = DODGE	
X = SPECIAL	X = EAGLE	

ENGINE	TRANSMISSION
EER = ENGINE - 2.7L V6 DOHC 24 VALVE MPI	DGX = TRANSMISSION - 4-SPEED AUTOMATIC
EES = ENGINE - 2.7L V6 24V W/ACTIVE INTAKE	
EGC = ENGINE - "MAGNUM" 3.5L V6 SOHC 24V	
EGG = ENGINE - 3.5L HIGH OUTPUT V6 24V MPI	
EGW = ENGINE - 3.2L V6 SOHC 24 VALVE MPI	

AR = use ase required - = Non illustrated part

2001 LH

Navigation Kit
Figure 1-140



ITEM	PART NUMBER	QTY	LINE	SERIES	BODY	ENGINE	TRANS	TRIM	DESCRIPTION
1									NAVIGATION KIT, Vehicle
	82206988	1	D		41				Western
	82206989	1	D		41				Central
	82206990	1	D		41				Eastern
2									COMPACT DISC, Navigation
	05017415AB	1	D		41				Western
	05017416AB	1	D		41				Central
	05017417AB	1	D		41				Eastern
3	05072411AA	1	D		41				BRACKET, Navigation Display
4	05017434AA	1	D		41				SCREW, Thumb
5	05017434AA	1							NAVIGATION KIT, Generic System, (NOT SERVICED)
6	05017433AA	1	D		41				WIRING, Navigation Display
7	82206984	1	D		41				INSTALL KIT, Vehicle Navigation System
8	05017420AA	1	D		41				ANTENNA, Global Positioning
9	05017420AA	1							STRAP, Tie, (NOT SERVICED)

CONCORDE,INTREPID,VISION,300M,NEW YORKER,LHS (LH)

SERIES	LINE	BODY
H = HIGHLINE	C = CHRYSLER	41 = SEDAN/QUAD CAB
M = MEDIUM	L = CHRYSLER	SWB
P = PREMIUM	Y = CHRYSLER	
S = SPORT	D = DODGE	
X = SPECIAL	X = EAGLE	

ENGINE	TRANSMISSION
EER = ENGINE - 2.7L V6 DOHC 24 VALVE MPI	DGX = TRANSMISSION - 4-SPEED AUTOMATIC
EES = ENGINE - 2.7L V6 24V W/ACTIVE INTAKE	
EGC = ENGINE - "MAGNUM" 3.5L V6 SOHC 24V	
EGG = ENGINE - 3.5L HIGH OUTPUT V6 24V MPI	
EGW = ENGINE - 3.2L V6 SOHC 24 VALVE MPI	

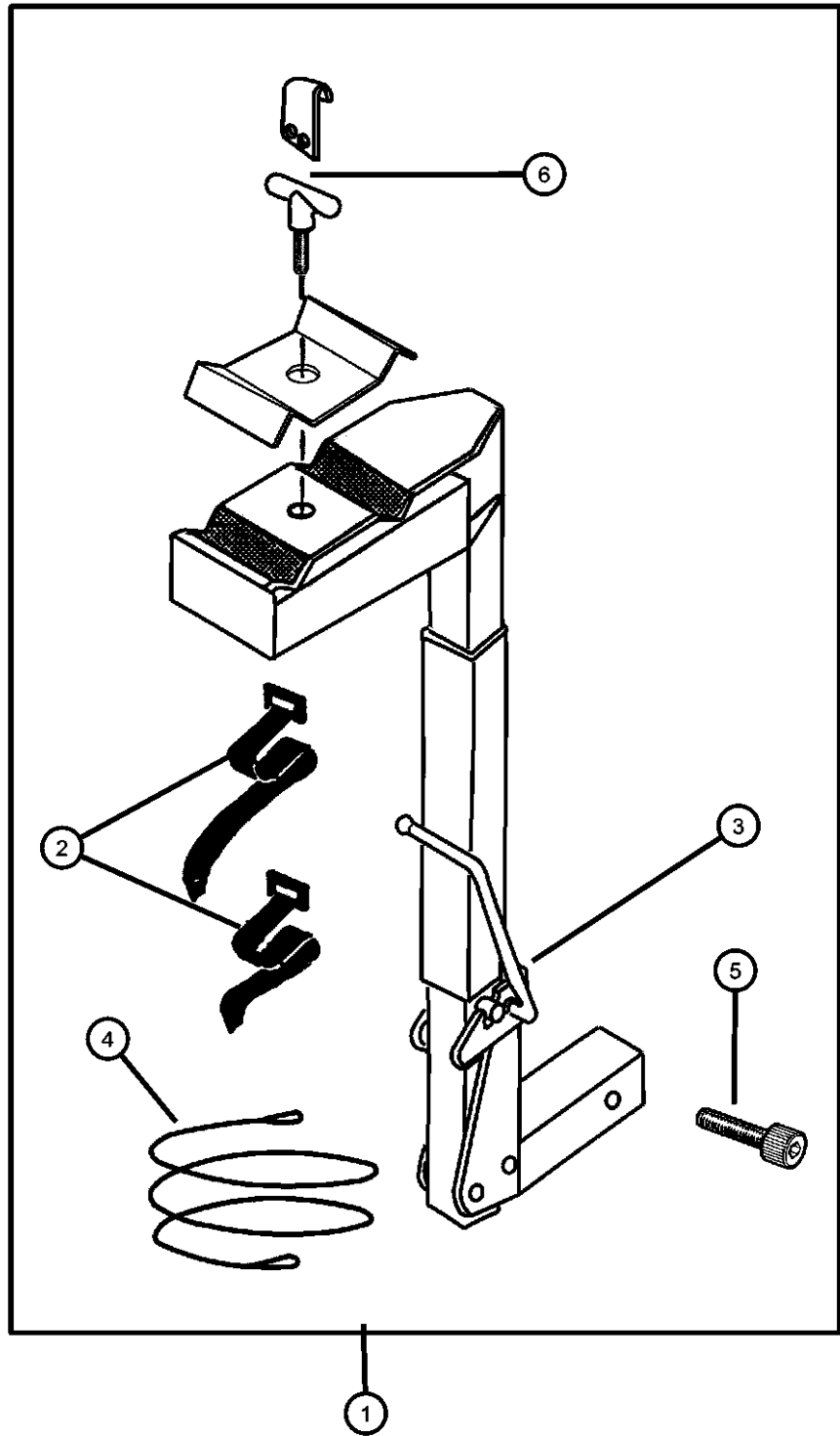
AR = use ase required - = Non illustrated part

2001 LH

Bike Carrier - Hitch Mount
Figure 1-210

ITEM	PART NUMBER	QTY	LINE	SERIES	BODY	ENGINE	TRANS	TRIM	DESCRIPTION
------	-------------	-----	------	--------	------	--------	-------	------	-------------

NOTE: Folds down for access to rear deck, has anti theft bolts.



1	82204452	1							CARRIER KIT, Bike
2	04762880	1							STRAP KIT, Velcro, Contains: 1-Long and 1-Short Strap
3	05016775AA	1							STRAP KIT, Bike Carrier Latch, Contains: 2-Rubber Straps
4	04762882	1							LOCK KIT, Bike Carrier Handle
5	05016774AA	1							BOLT KIT, Security, Contains: 1-Security Bolt, 1-Wrench, 1-Washer and Nut
6	05016610AA	1							HARDWARE KIT, Accessory, Replacement T-Handle

CARRIER KIT, Bike
STRAP KIT, Velcro, Contains: 1-Long and 1-Short Strap
STRAP KIT, Bike Carrier Latch, Contains: 2-Rubber Straps
LOCK KIT, Bike Carrier Handle
BOLT KIT, Security, Contains: 1-Security Bolt, 1-Wrench, 1-Washer and Nut
HARDWARE KIT, Accessory, Replacement T-Handle

CONCORDE,INTREPID,VISION,300M,NEW YORKER,LHS (LH)

SERIES	LINE	BODY
H = HIGHLINE	C = CHRYSLER	41 = SEDAN/QUAD CAB
M = MEDIUM	L = CHRYSLER	SWB
P = PREMIUM	Y = CHRYSLER	
S = SPORT	D = DODGE	
X = SPECIAL	X = EAGLE	

ENGINE	TRANSMISSION
EER = ENGINE - 2.7L V6 DOHC 24 VALVE MPI	DGX = TRANSMISSION - 4-SPEED AUTOMATIC
EES = ENGINE - 2.7L V6 24V W/ACTIVE INTAKE	
EGC = ENGINE - "MAGNUM" 3.5L V6 SOHC 24V	
EGG = ENGINE - 3.5L HIGH OUTPUT V6 24V MPI	
EGW = ENGINE - 3.2L V6 SOHC 24 VALVE MPI	

AR = use ase required - = Non illustrated part

2001 LH

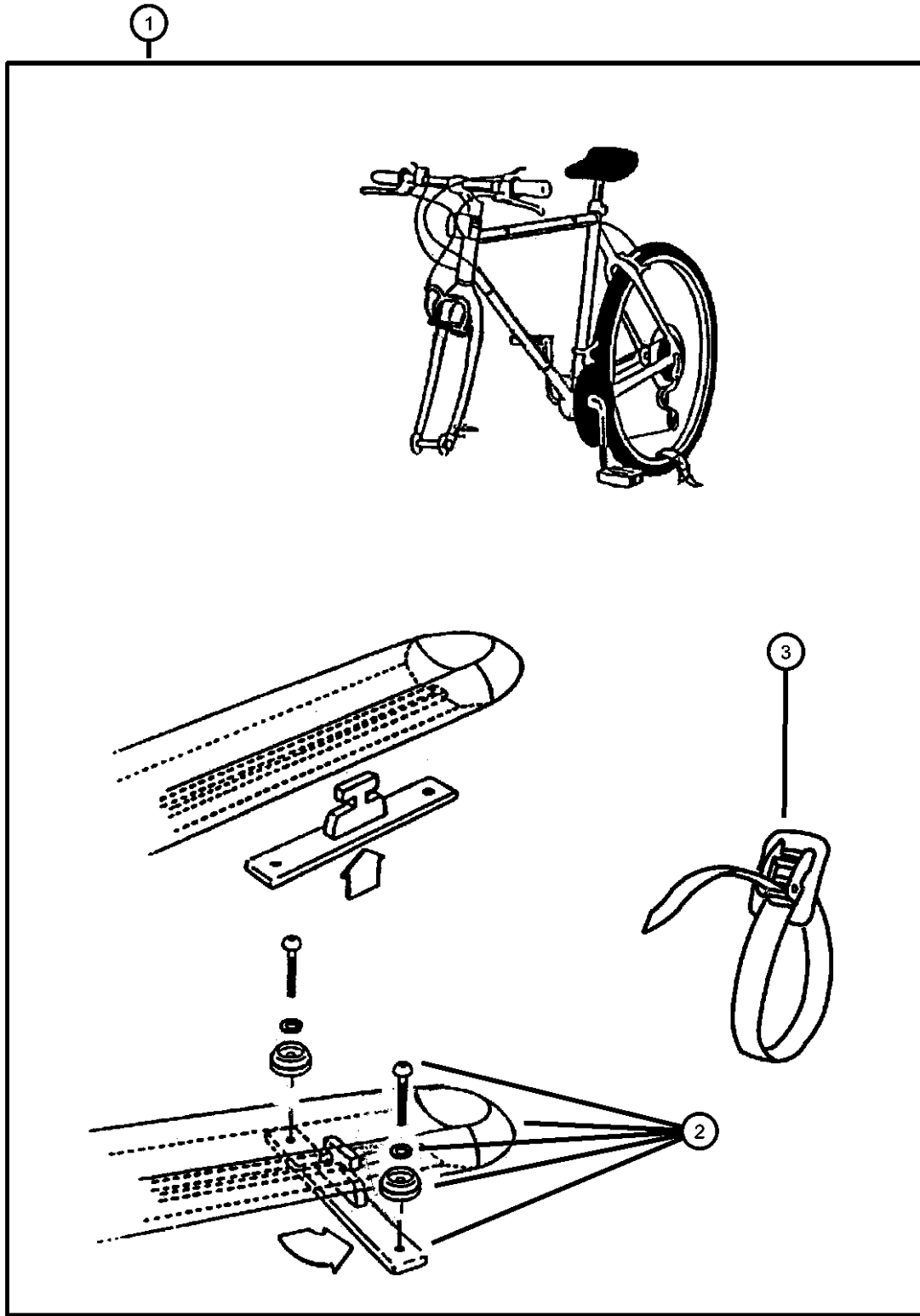
Bike Carrier - Roof Mount
Figure 1-212

ITEM	PART NUMBER	QTY	LINE	SERIES	BODY	ENGINE	TRANS	TRIM	DESCRIPTION
------	-------------	-----	------	--------	------	--------	-------	------	-------------

NOTE: Hardware Kit also contained in Carrier Kit.

1	82300585	1							CARRIER KIT, Bike, Fork - Mount
2	05093779AA	1							HARDWARE KIT, Accessory, Contains: 2-T-Slot Anchors, 1-Rear T-Slot Bar, 4-Button Head Screws, 2-Lock Washers and 4-Dome Washers
3	05016513AA	1							STRAP, Cargo Tie Down, Contains: 2- Straps

CARRIER KIT, Bike, Fork - Mount
HARDWARE KIT, Accessory,
Contains: 2-T-Slot Anchors,
1-Rear T-Slot Bar, 4-Button Head
Screws, 2-Lock Washers and
4-Dome Washers
STRAP, Cargo Tie Down, Contains:
2- Straps



CONCORDE,INTREPID,VISION,300M,NEW YORKER,LHS (LH)

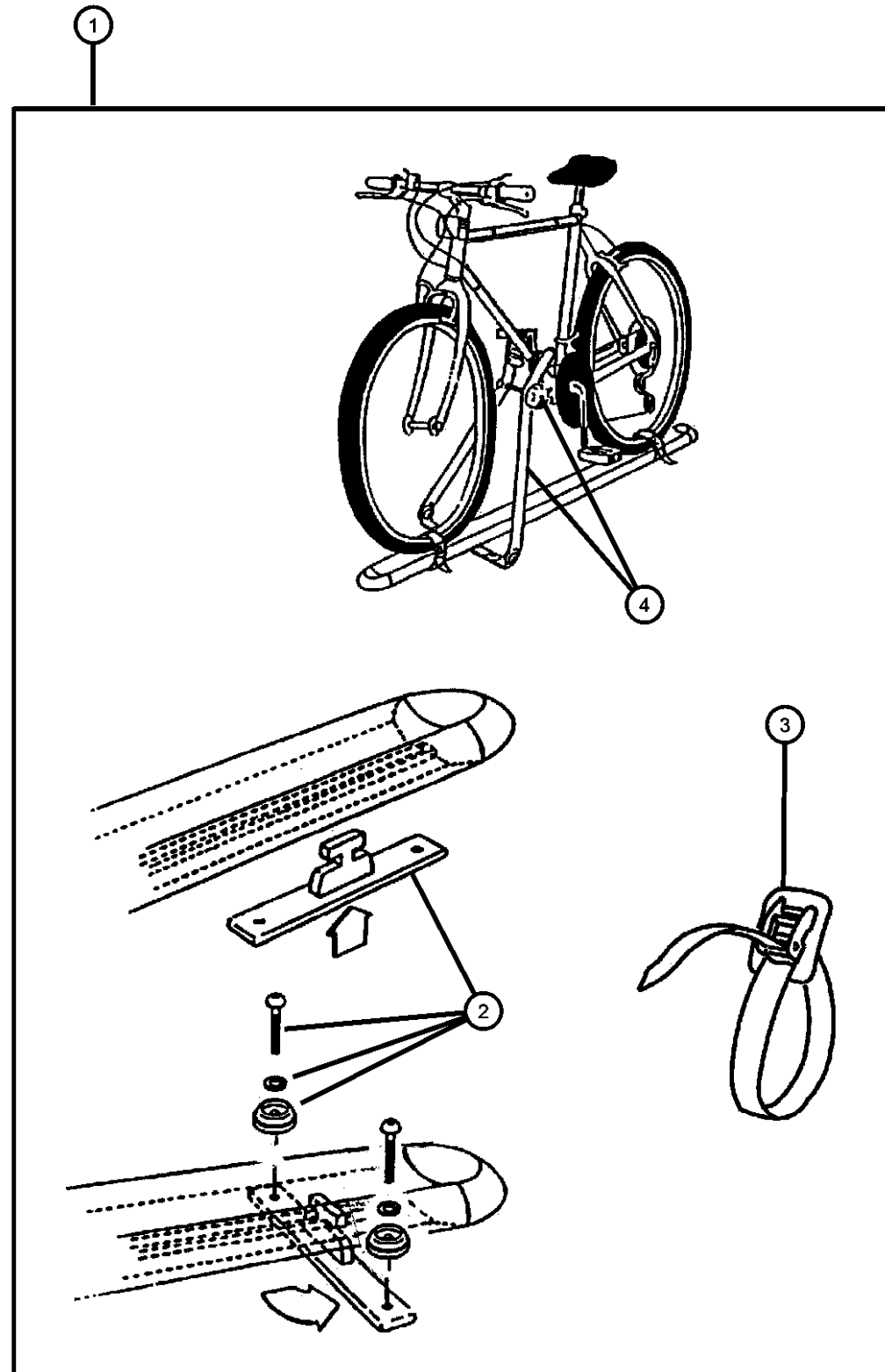
SERIES	LINE	BODY
H = HIGHLINE	C = CHRYSLER	41 = SEDAN/QUAD CAB
M = MEDIUM	L = CHRYSLER	SWB
P = PREMIUM	Y = CHRYSLER	
S = SPORT	D = DODGE	
X = SPECIAL	X = EAGLE	

ENGINE	TRANSMISSION
EER = ENGINE - 2.7L V6 DOHC 24 VALVE MPI	DGX = TRANSMISSION - 4-SPEED AUTOMATIC
EES = ENGINE - 2.7L V6 24V W/ACTIVE INTAKE	
EGC = ENGINE - "MAGNUM" 3.5L V6 SOHC 24V	
EGG = ENGINE - 3.5L HIGH OUTPUT V6 24V MPI	
EGW = ENGINE - 3.2L V6 SOHC 24 VALVE MPI	

AR = use ase required - = Non illustrated part

2001 LH

Bike Carrier - Roof Mount
Figure 1-214



ITEM	PART NUMBER	QTY	LINE	SERIES	BODY	ENGINE	TRANS	TRIM	DESCRIPTION
1	82203471	1							CARRIER KIT, Bike, Upright - Mount
2	05093779AA	1							HARDWARE KIT, Accessory, Contains: 2-T-Slot Anchors, 1-Rear T-Slot Bar, 4-Button Head Screws, 2-Lock Washers and 4-Dome Washers
3	05016513AA	1							STRAP, Cargo Tie Down
4	05018194AA	1							HARDWARE KIT, Bike Carrier

CONCORDE,INTREPID,VISION,300M,NEW YORKER,LHS (LH)

SERIES	LINE	BODY
H = HIGHLINE	C = CHRYSLER	41 = SEDAN/QUAD CAB
M = MEDIUM	L = CHRYSLER	SWB
P = PREMIUM	Y = CHRYSLER	
S = SPORT	D = DODGE	
X = SPECIAL	X = EAGLE	

ENGINE	TRANSMISSION
EER = ENGINE - 2.7L V6 DOHC 24 VALVE MPI	DGX = TRANSMISSION - 4-SPEED AUTOMATIC
EES = ENGINE - 2.7L V6 24V W/ACTIVE INTAKE	
EGC = ENGINE - "MAGNUM" 3.5L V6 SOHC 24V	
EGG = ENGINE - 3.5L HIGH OUTPUT V6 24V MPI	
EGW = ENGINE - 3.2L V6 SOHC 24 VALVE MPI	

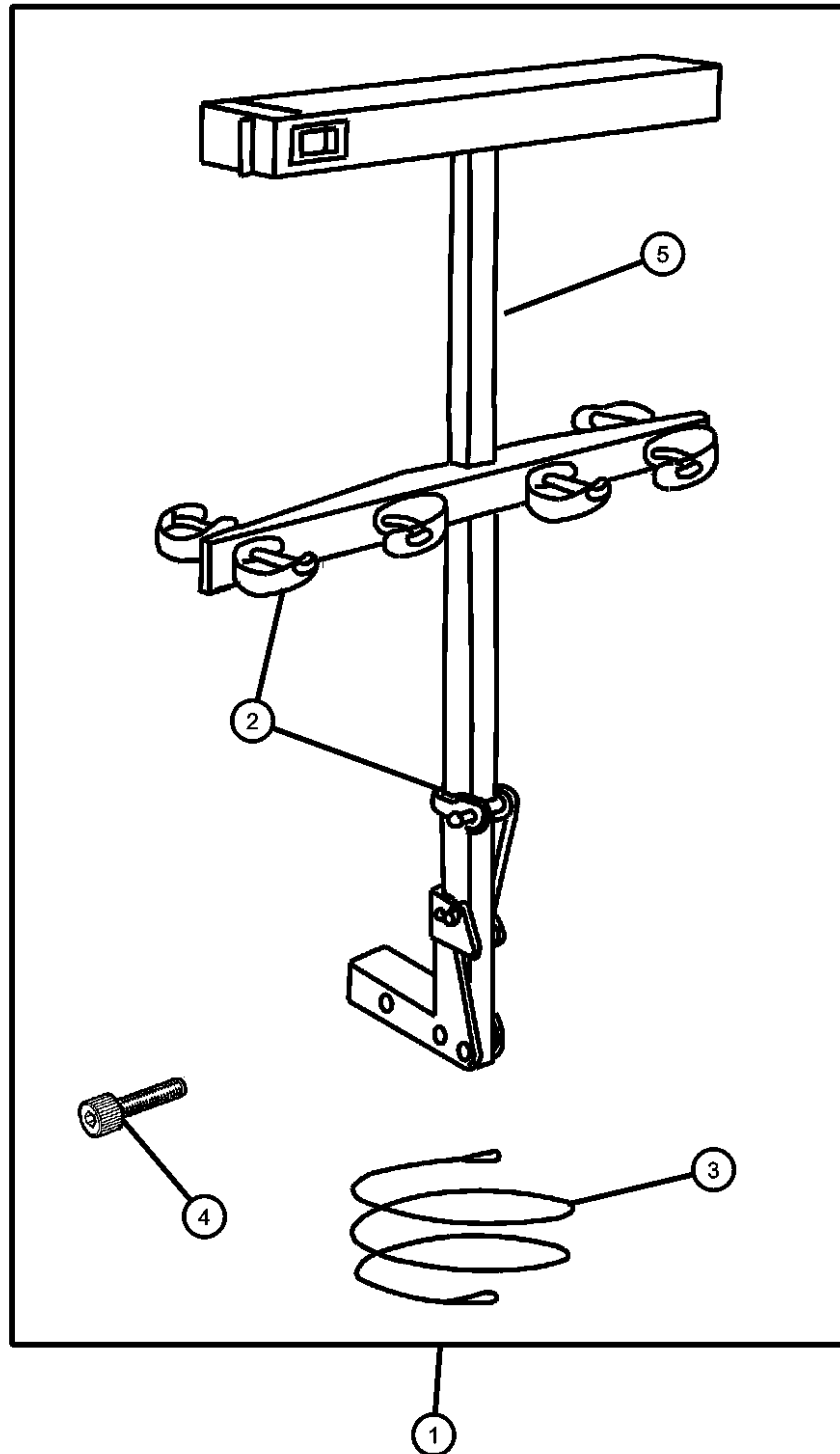
AR = use ase required - = Non illustrated part

Ski Carrier - Hitch Mount
Figure 1-220

ITEM	PART NUMBER	QTY	LINE	SERIES	BODY	ENGINE	TRANS	TRIM	DESCRIPTION
------	-------------	-----	------	--------	------	--------	-------	------	-------------

NOTE: For use with a 1.25' Hitch Receiver.

1	82204454	1	C, D, Y		41				CARRIER KIT, Ski - 4 Pair
2	05016775AA	1	C, D, Y		41				STRAP KIT, Bike Carrier Latch
3	04762882	1	C, D, Y		41				LOCK KIT, Bike Carrier Handle
4	05016774AA	1	C, D, Y		41				BOLT KIT, Security, Consists of: 1-Security Bolt, 1-Security Wrench, 1- Washer and 1-Nut.
5	05016610AA	1	C, D, Y		41				HARDWARE KIT, Accessory, Replacement T-Handle



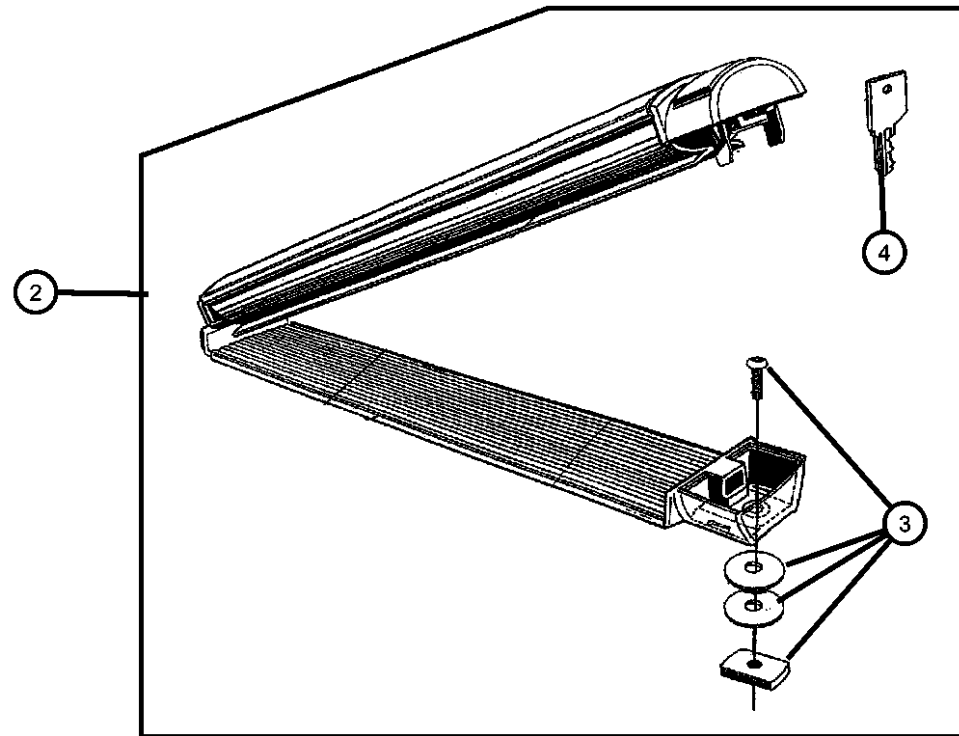
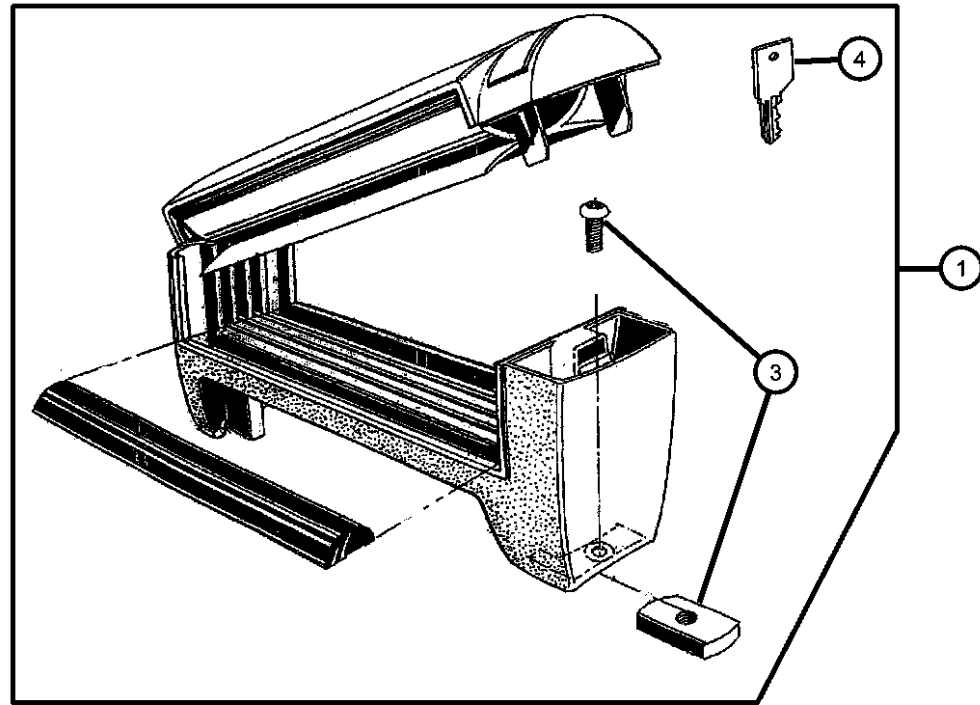
CONCORDE,INTREPID,VISION,300M,NEW YORKER,LHS (LH)

SERIES	LINE	BODY	ENGINE	TRANSMISSION
H = HIGHLINE	C = CHRYSLER	41 = SEDAN/QUAD CAB	EER = ENGINE - 2.7L V6	DGX = TRANSMISSION - 4-SPEED
M = MEDIUM	L = CHRYSLER	SWB	DOHC 24 VALVE MPI	AUTOMATIC
P = PREMIUM	Y = CHRYSLER		EES = ENGINE - 2.7L V6 24V	
S = SPORT	D = DODGE		W/ACTIVE INTAKE	
X = SPECIAL	X = EAGLE		EGC = ENGINE - "MAGNUM"	
			3.5L V6 SOHC 24V	
			EGG = ENGINE - 3.5L HIGH	
			OUTPUT V6 24V MPI	
			EGW = ENGINE - 3.2L V6	
			SOHC 24 VALVE MPI	

AR = use ase required - = Non illustrated part

2001 LH

Ski Carrier - Roof Mount
Figure 1-222



ITEM	PART NUMBER	QTY	LINE	SERIES	BODY	ENGINE	TRANS	TRIM	DESCRIPTION
------	-------------	-----	------	--------	------	--------	-------	------	-------------

NOTE: New keys are Vendor Ship Direct.

1	82203474	1							CARRIER KIT, Ski - 2 Pair, High Mount
2	82203472	1							CARRIER KIT, Ski
3	05018389AA	1							HARDWARE KIT, Mounting High Mount
4	05019077AA	1							KEY, Master, (NOT SERVICED)

CONCORDE,INTREPID,VISION,300M,NEW YORKER,LHS (LH)

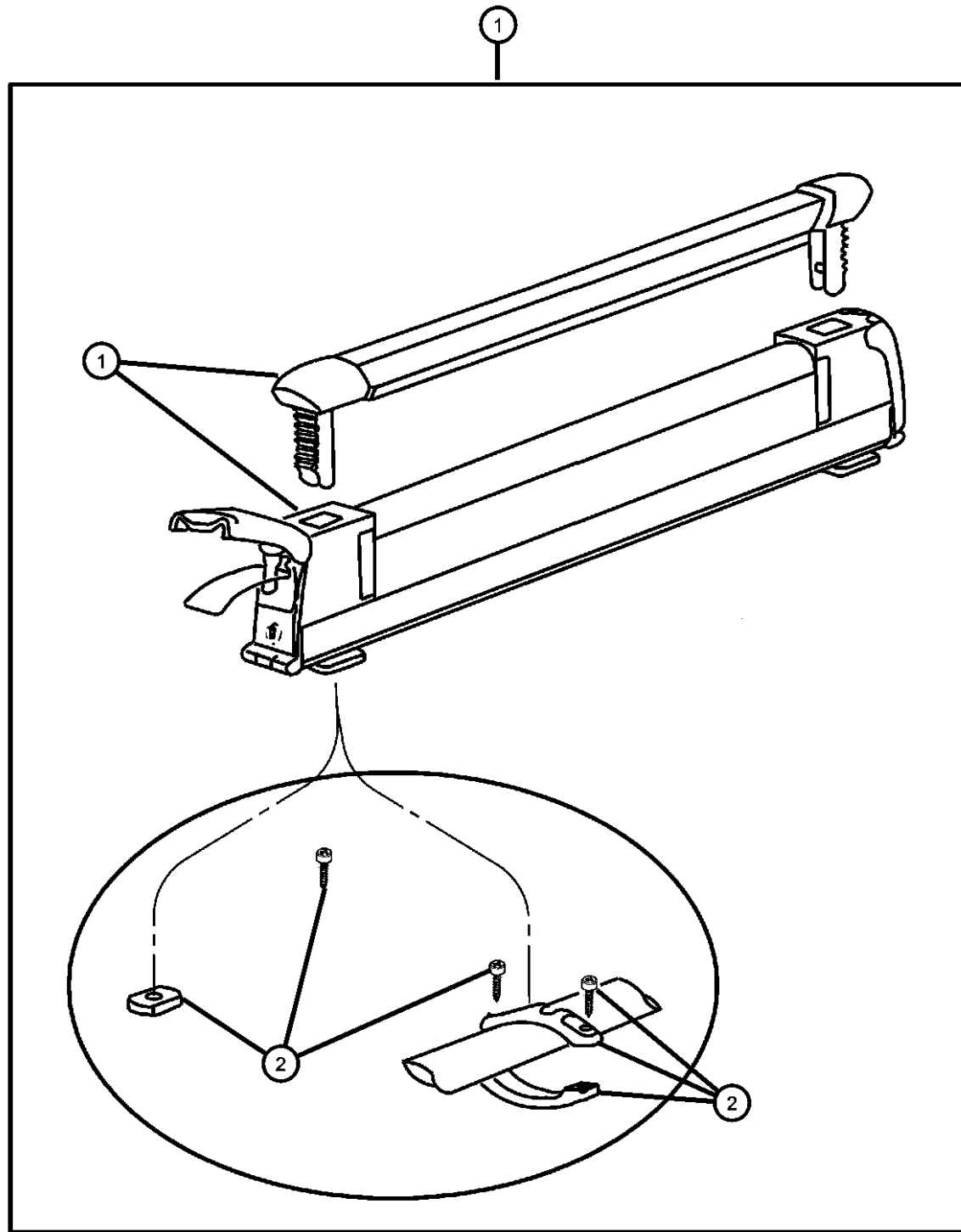
SERIES	LINE	BODY
H = HIGHLINE	C = CHRYSLER	41 = SEDAN/QUAD CAB
M = MEDIUM	L = CHRYSLER	SWB
P = PREMIUM	Y = CHRYSLER	
S = SPORT	D = DODGE	
X = SPECIAL	X = EAGLE	

ENGINE	TRANSMISSION
EER = ENGINE - 2.7L V6 DOHC 24 VALVE MPI	DGX = TRANSMISSION - 4-SPEED AUTOMATIC
EES = ENGINE - 2.7L V6 24V W/ACTIVE INTAKE	
EGC = ENGINE - "MAGNUM" 3.5L V6 SOHC 24V	
EGG = ENGINE - 3.5L HIGH OUTPUT V6 24V MPI	
EGW = ENGINE - 3.2L V6 SOHC 24 VALVE MPI	

AR = use ase required - = Non illustrated part

2001 LH

Ski Carrier - Roof Mount
Figure 1-224



ITEM	PART NUMBER	QTY	LINE	SERIES	BODY	ENGINE	TRANS	TRIM	DESCRIPTION
1	82205994	1							CARRIER KIT, Ski
2	05019362AA	1							HARDWARE KIT, Mounting

CONCORDE,INTREPID,VISION,300M,NEW YORKER,LHS (LH)

SERIES	LINE	BODY
H = HIGHLINE	C = CHRYSLER	41 = SEDAN/QUAD CAB
M = MEDIUM	L = CHRYSLER	SWB
P = PREMIUM	Y = CHRYSLER	
S = SPORT	D = DODGE	
X = SPECIAL	X = EAGLE	

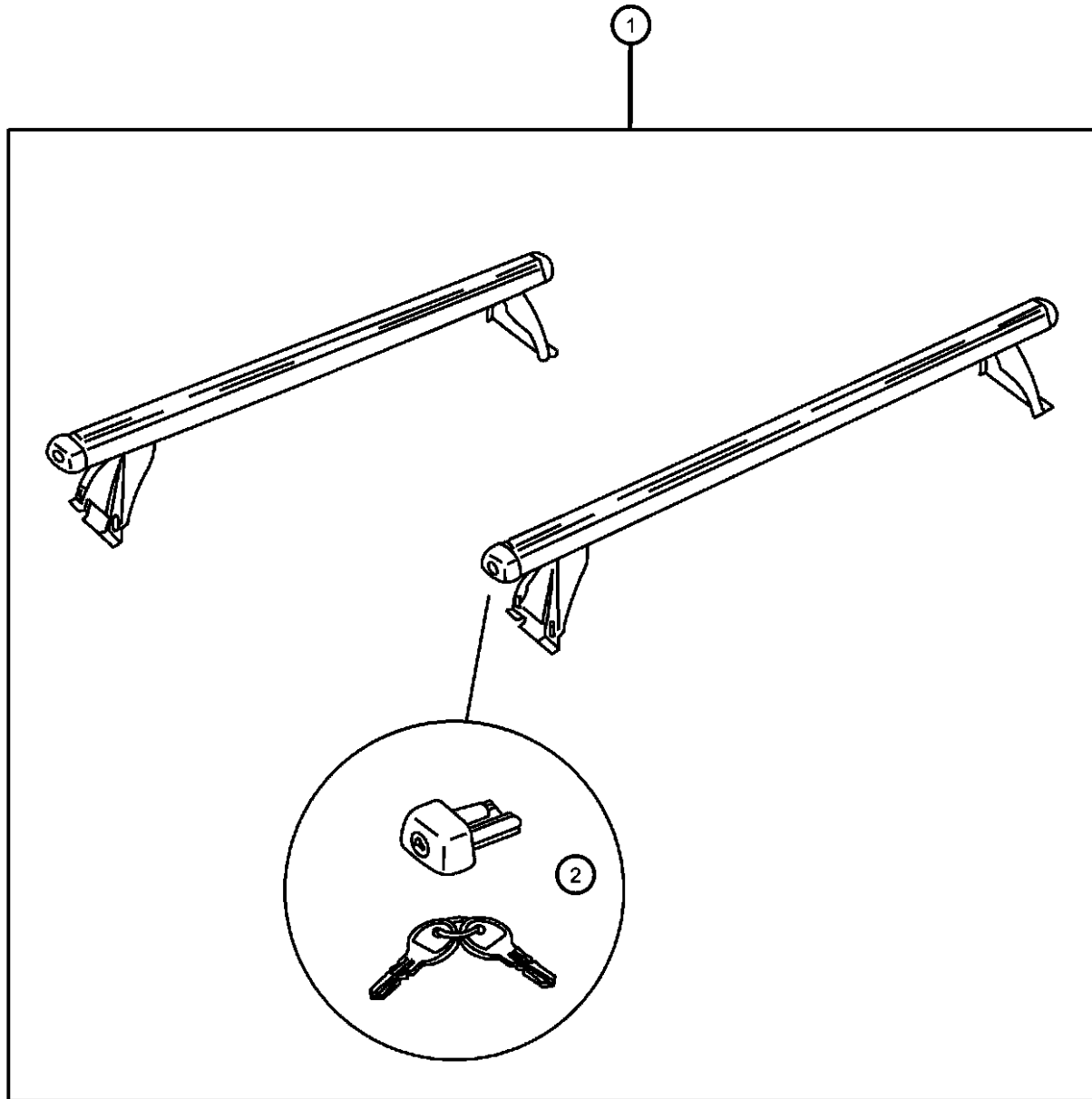
ENGINE	TRANSMISSION
EER = ENGINE - 2.7L V6 DOHC 24 VALVE MPI	DGX = TRANSMISSION - 4-SPEED AUTOMATIC
EES = ENGINE - 2.7L V6 24V W/ACTIVE INTAKE	
EGC = ENGINE - "MAGNUM" 3.5L V6 SOHC 24V	
EGG = ENGINE - 3.5L HIGH OUTPUT V6 24V MPI	
EGW = ENGINE - 3.2L V6 SOHC 24 VALVE MPI	

AR = use ase required - = Non illustrated part

2001 LH

Rack Kit - Roof
Figure 1-230

ITEM	PART NUMBER	QTY	LINE	SERIES	BODY	ENGINE	TRANS	TRIM	DESCRIPTION
1	82206610	1	Y		41				RACK KIT, Multipurpose
2	05072276AA	1	Y		41				END CAP, Roof Rack Side Rail, With set of keys



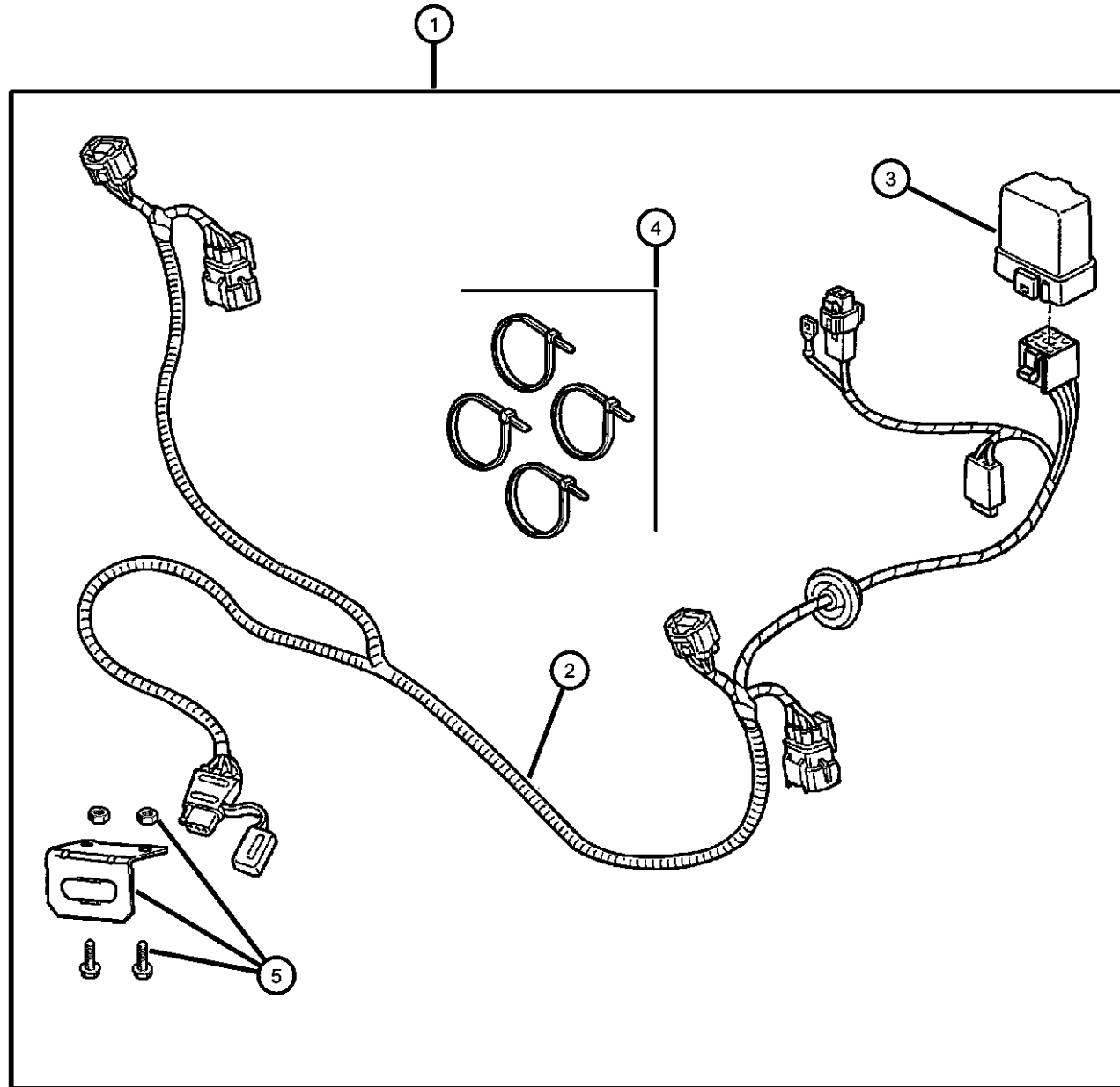
CONCORDE,INTREPID,VISION,300M,NEW YORKER,LHS (LH)

SERIES	LINE	BODY
H = HIGHLINE	C = CHRYSLER	41 = SEDAN/QUAD CAB
M = MEDIUM	L = CHRYSLER	SWB
P = PREMIUM	Y = CHRYSLER	
S = SPORT	D = DODGE	
X = SPECIAL	X = EAGLE	

ENGINE	TRANSMISSION
EER = ENGINE - 2.7L V6 DOHC 24 VALVE MPI	DGX = TRANSMISSION - 4-SPEED AUTOMATIC
EES = ENGINE - 2.7L V6 24V W/ACTIVE INTAKE	
EGC = ENGINE - "MAGNUM" 3.5L V6 SOHC 24V	
EGG = ENGINE - 3.5L HIGH OUTPUT V6 24V MPI	
EGW = ENGINE - 3.2L V6 SOHC 24 VALVE MPI	

AR = use ase required - = Non illustrated part

Trailer Tow Harness
Figure 1-290



ITEM	PART NUMBER	QTY	LINE	SERIES	BODY	ENGINE	TRANS	TRIM	DESCRIPTION
1	82204638	1	C, D, Y		41				WIRING PACKAGE, Trailer Tow
	82204639	1	C		41				LHS Vehicles only
2	82204639	1							WIRING, Trailer Tow - 4 Way, Serviced in Package, (NOT SERVICED),
3	04672295	1	C, D, Y		41				MODULE, Lighting Control
4									STRAP, Tie
	04641780	1	C, D, Y		41				7 Inch - Four Required
	06016155	1	C, D, Y		41				14.5 Inch - Four Required
5	82204602	1	C, D, Y		41				BRACKET KIT, Trailer Tow, Consists of : L Bracket, 2 Screws, 2 Lock Nuts

CONCORDE,INTREPID,VISION,300M,NEW YORKER,LHS (LH)

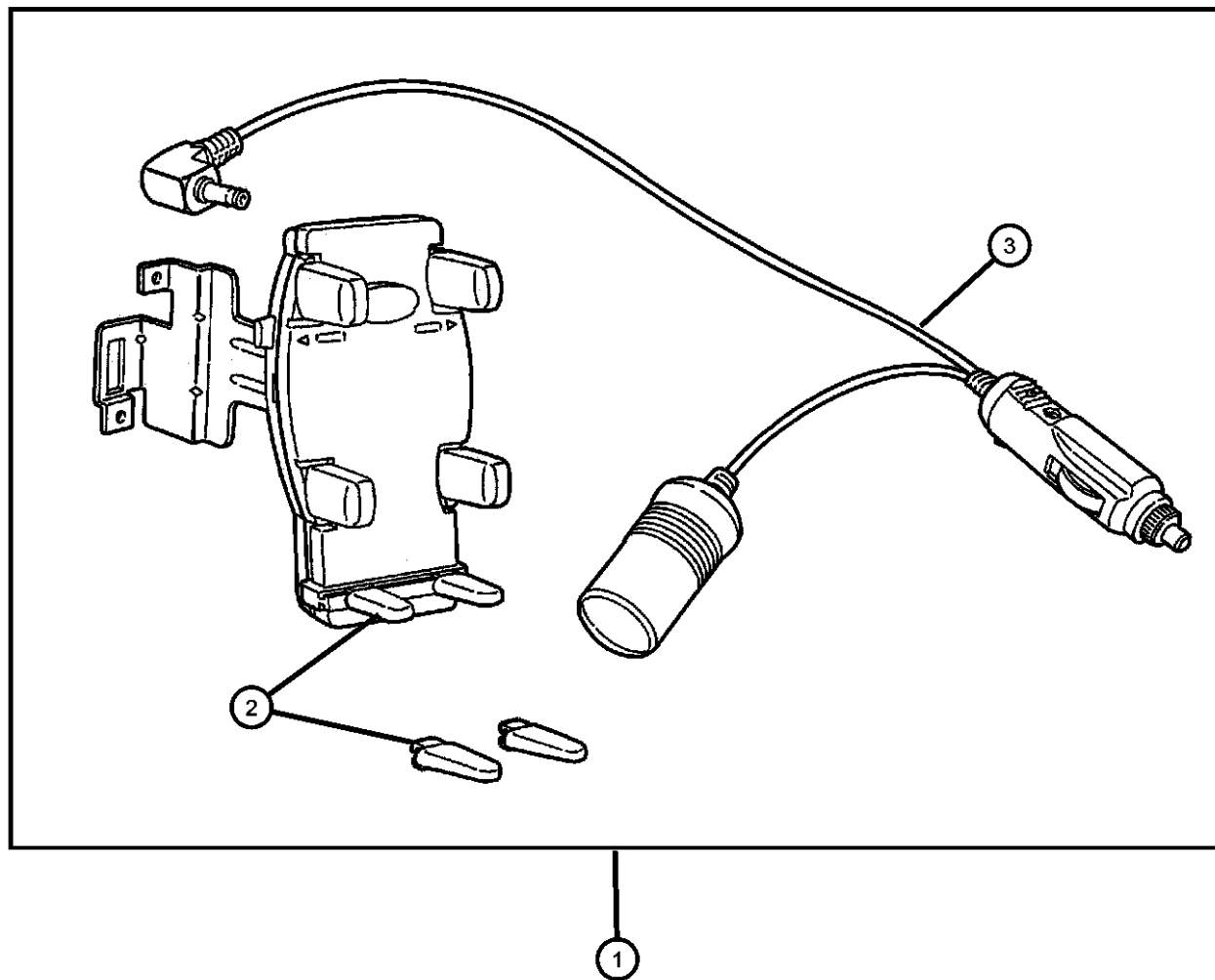
SERIES	LINE	BODY
H = HIGHLINE	C = CHRYSLER	41 = SEDAN/QUAD CAB
M = MEDIUM	L = CHRYSLER	SWB
P = PREMIUM	Y = CHRYSLER	
S = SPORT	D = DODGE	
X = SPECIAL	X = EAGLE	

ENGINE	TRANSMISSION
EER = ENGINE - 2.7L V6 DOHC 24 VALVE MPI	DGX = TRANSMISSION - 4-SPEED AUTOMATIC
EES = ENGINE - 2.7L V6 24V W/ACTIVE INTAKE	
EGC = ENGINE - "MAGNUM" 3.5L V6 SOHC 24V	
EGG = ENGINE - 3.5L HIGH OUTPUT V6 24V MPI	
EGW = ENGINE - 3.2L V6 SOHC 24 VALVE MPI	

AR = use ase required - = Non illustrated part

Mounting Kit - Cell Phone
Figure 1-330

ITEM	PART NUMBER	QTY	LINE	SERIES	BODY	ENGINE	TRANS	TRIM	DESCRIPTION
NOTE: Holds any wireless handset. Installs to instrument panel.									
1	82205270	1	C, D, Y		41				MOUNTING KIT, Cellular Phone
2	05018103AA	1	C, D, Y		41				HARDWARE KIT, Accessory, Consists of: Set of long and short support feet.
3	05016536AA	1	C, D, Y		41				CORD, Cellular Phone, 18 inch in length, has 'Y' feed for another 12V accessory.



CONCORDE,INTREPID,VISION,300M,NEW YORKER,LHS (LH)

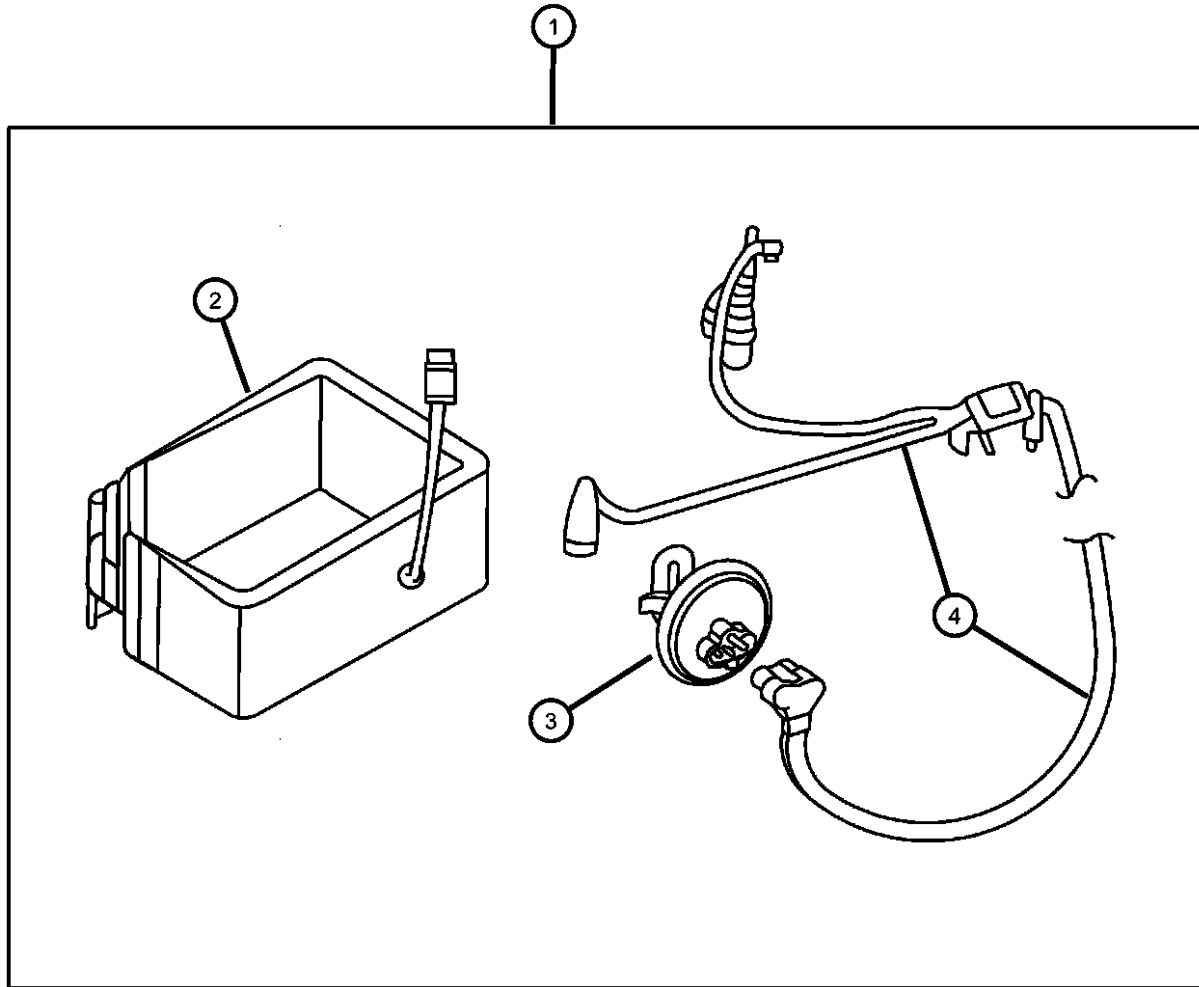
SERIES	LINE	BODY
H = HIGHLINE	C = CHRYSLER	41 = SEDAN/QUAD CAB
M = MEDIUM	L = CHRYSLER	SWB
P = PREMIUM	Y = CHRYSLER	
S = SPORT	D = DODGE	
X = SPECIAL	X = EAGLE	

ENGINE	TRANSMISSION
EER = ENGINE - 2.7L V6 DOHC 24 VALVE MPI	DGX = TRANSMISSION - 4-SPEED AUTOMATIC
EES = ENGINE - 2.7L V6 24V W/ACTIVE INTAKE	
EGC = ENGINE - "MAGNUM" 3.5L V6 SOHC 24V	
EGG = ENGINE - 3.5L HIGH OUTPUT V6 24V MPI	
EGW = ENGINE - 3.2L V6 SOHC 24 VALVE MPI	

AR = use ase required - = Non illustrated part

Heater Kit - Engine and Battery
Figure 1-610

ITEM	PART NUMBER	QTY	LINE	SERIES	BODY	ENGINE	TRANS	TRIM	DESCRIPTION
1	82203641	1	C, D, Y		41				HEATER PACKAGE, Engine Block
2	04609098AB	1	C, D, Y		41				HEATER, Battery
3	04609325	1	C, D, Y		41				HEATER, Engine Block
4	04609121AD	1	C, D, Y		41				CORD, Engine Block Heater



CONCORDE,INTREPID,VISION,300M,NEW YORKER,LHS (LH)

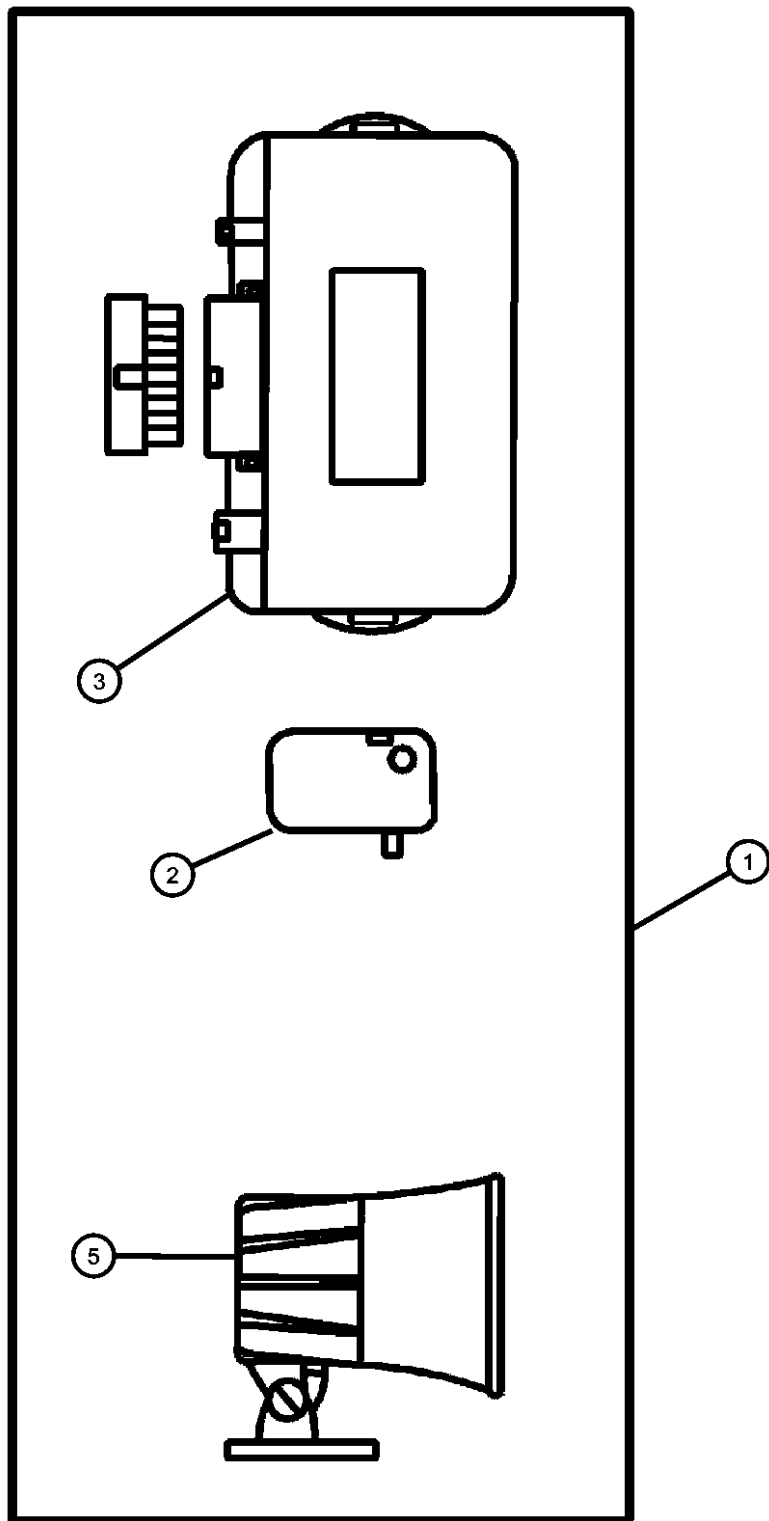
SERIES	LINE	BODY
H = HIGHLINE	C = CHRYSLER	41 = SEDAN/QUAD CAB
M = MEDIUM	L = CHRYSLER	SWB
P = PREMIUM	Y = CHRYSLER	
S = SPORT	D = DODGE	
X = SPECIAL	X = EAGLE	

ENGINE	TRANSMISSION
EER = ENGINE - 2.7L V6 DOHC 24 VALVE MPI	DGX = TRANSMISSION - 4-SPEED AUTOMATIC
EES = ENGINE - 2.7L V6 24V W/ACTIVE INTAKE	
EGC = ENGINE - "MAGNUM" 3.5L V6 SOHC 24V	
EGG = ENGINE - 3.5L HIGH OUTPUT V6 24V MPI	
EGW = ENGINE - 3.2L V6 SOHC 24 VALVE MPI	

AR = use ase required - = Non illustrated part

2001 LH

Alarm, EVS II Security Plus
Figure 1-910



ITEM	PART NUMBER	QTY	LINE	SERIES	BODY	ENGINE	TRANS	TRIM	DESCRIPTION
------	-------------	-----	------	--------	------	--------	-------	------	-------------

Note: Wiring Kit sold seperately

1	82204268	1	C, D, Y		41				MODULE, Security Alarm, Plus System
2	04886260AB	1	C, D, Y		41				SENSOR, Shock, With Terminals
3	05011619AA	1	C, D, Y		41				MODULE, Security Alarm
-4	04886259AA	1	C, D, Y		41				INDICATOR, Valet Status
5	04886259AA	1							SIREN, Alarm, (NOT REQUIRED)
-6	82203768	1	C, D, Y		41				WIRING KIT, Alarm Security Plus

CONCORDE,INTREPID,VISION,300M,NEW YORKER,LHS (LH)

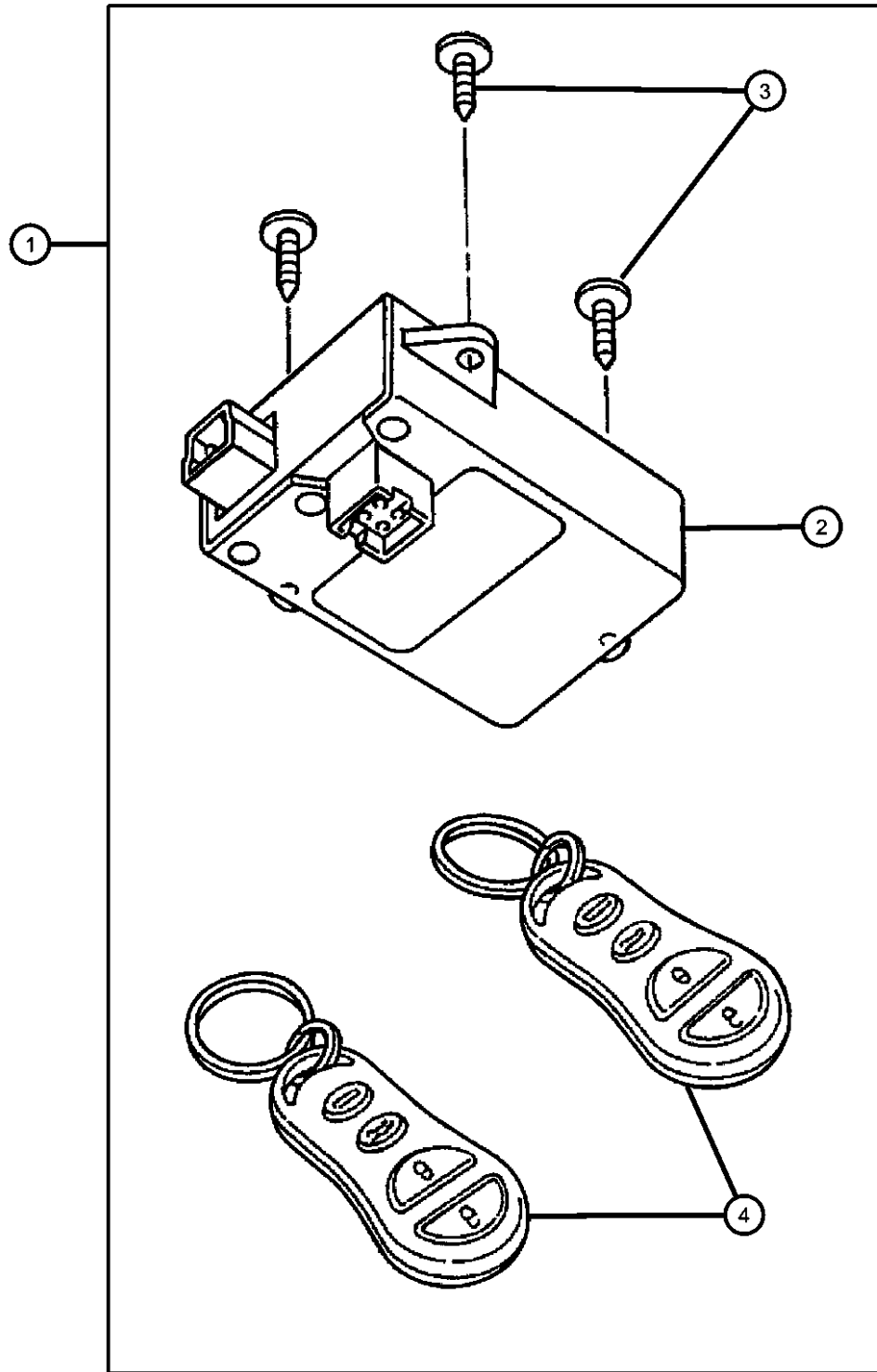
SERIES	LINE	BODY	ENGINE	TRANSMISSION
H = HIGHLINE	C = CHRYSLER	41 = SEDAN/QUAD CAB	EER = ENGINE - 2.7L V6 DOHC 24 VALVE MPI	DGX = TRANSMISSION - 4-SPEED AUTOMATIC
M = MEDIUM	L = CHRYSLER	SWB	EES = ENGINE - 2.7L V6 24V W/ACTIVE INTAKE	
P = PREMIUM	Y = CHRYSLER		EGC = ENGINE - "MAGNUM" 3.5L V6 SOHC 24V	
S = SPORT	D = DODGE		EGG = ENGINE - 3.5L HIGH OUTPUT V6 24V MPI	
X = SPECIAL	X = EAGLE		EGW = ENGINE - 3.2L V6 SOHC 24 VALVE MPI	

AR = use ase required - = Non illustrated part

2001 LH

Module Package - Keyless Entry
Figure 1-920

ITEM	PART NUMBER	QTY	LINE	SERIES	BODY	ENGINE	TRANS	TRIM	DESCRIPTION
1	82206643	1							MODULE PACKAGE, Keyless Entry
2	04602310AB	1							RECEIVER, Keyless Entry
3	06032723	3							SCREW, Self Tapping, M4.2x1.69x19.05
4	04602260AA	1							TRANSMITTER, Keyless Entry
-5	83504802	2							BATTERY, Transmitter



CONCORDE,INTREPID,VISION,300M,NEW YORKER,LHS (LH)

SERIES	LINE	BODY	ENGINE	TRANSMISSION
H = HIGHLINE	C = CHRYSLER	41 = SEDAN/QUAD CAB	EER = ENGINE - 2.7L V6 DOHC 24 VALVE MPI	DGX = TRANSMISSION - 4-SPEED AUTOMATIC
M = MEDIUM	L = CHRYSLER	SWB	EES = ENGINE - 2.7L V6 24V W/ACTIVE INTAKE	
P = PREMIUM	Y = CHRYSLER		EGC = ENGINE - "MAGNUM" 3.5L V6 SOHC 24V	
S = SPORT	D = DODGE		EGG = ENGINE - 3.5L HIGH OUTPUT V6 24V MPI	
X = SPECIAL	X = EAGLE		EGW = ENGINE - 3.2L V6 SOHC 24 VALVE MPI	

AR = use ase required - = Non illustrated part

Group - 2

Front Suspension & Drive

Group - 2 Front Suspension & Drive

Illustration Title

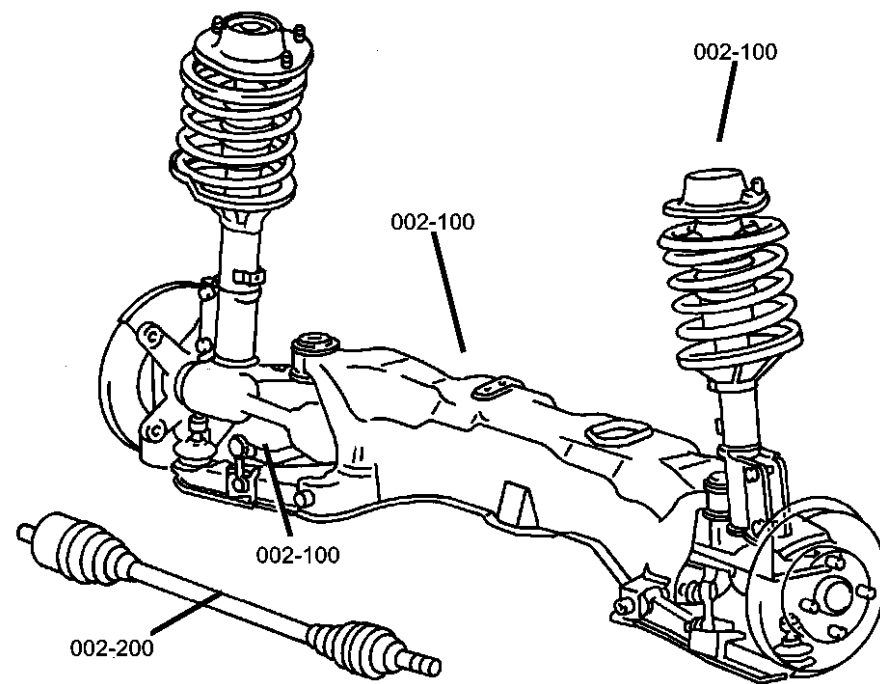
Group-Fig. No.

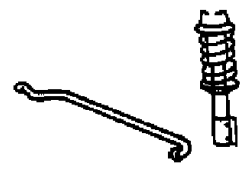
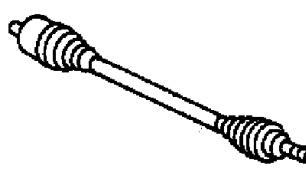
Front Suspension

Suspension, Front..... Fig. 2 - 110

Front Axle Drive Shafts

Shaft, Front Drive Fig. 2 - 210



<p>002-100 Front Suspension</p> 	<p>002-200 Front Axle Drive Shafts</p> 		
---	---	--	--