

### VIN PLATE DECODING INFORMATION

1	2	3	4	5	6	7	8	9	10	11	12 thru 17
Country	Make	Vehicle Type	Other	Line	Series	Body Style	Engine	Check Digit	Model Year	Assy. Plant	Sequence No.

The following table interprets the VIN Plate position shown above.

Position	Interpretation	Codes = Description
1	Country of Origin	3 = Manufactured By DaimlerChrysler De Mexico
2	Assembler	D = Dodge
3	Vehicle Type	4 = Multipurpose Passenger Vehicle Less Side Curtain Air Bags 8 = Multipurpose Passenger Vehicle With Side Curtain Air Bags
4	GVWR & Pass. Safety	G = 5001-6000# (2268 - 2721 KG) GVWR & Hyd. Brakes H = 6001-7000# (2722 - 3175 KG) GVWR & Hyd. Brakes
5	Vehicle Line	H = (LHD)(AWD) (E-49) G = (LHD)(FWD) (D-49) 5 = (RHD)(FWD) (B-49)
6	Series	6 = R/T 4 = SE 5 = SXT
7	Body Style	7 = JC Family (Body Style 49)
8	Engine	Z = 2.0L I4 CYL DOHC Diesel 16Valve (ECE) W = 2.4L I4 CYL DOHC 16 Valve Dual VVT Gasoline (ED3) T = 2.7L V6 CYL DOHC 24 Valve Gasoline (EER) S = 3.5L V6 CYL High Output 24 Valve Gasoline EGF
9	Check Digit	0 = Check Digit
10	Model Year	9 = 2009 Model Year
11	Assembly Plant	T = Toluca Assembly
12 thru 17	Vehicle Build Sequence	Model Year Assembly Sequence

# Group - 1

## MoPar Accessories

### Group - 1 MoPar Accessories

Illustration Title

Group-Fig. No.

#### Audio and Electronics

Media System ..... Fig. 1 - 110  
 Install Kit - Satellite Receiver ..... Fig. 1 - 114  
 Camera - Back Up ..... Fig. 1 - 118  
 iPod ..... Fig. 1 - 122

#### Carriers and Cargo Hauling

Carrier Kit - Hitch ..... Fig. 1 - 204  
 Carrier Kit - Canoe ..... Fig. 1 - 212  
 Carrier Kit -Bike-Fork Mount..... Fig. 1 - 214  
 Carrier Kit -Bike-Upright Mount ..... Fig. 1 - 216  
 Wiring Package-Trailer Tow-7-Way ..... Fig. 1 - 243

#### Driver Convenience

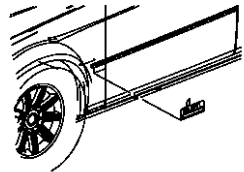
Speed Control Kit ..... Fig. 1 - 306  
 Hands Free Kit- Cellular Phone-Blue Tooth-Low Speed ..... Fig. 1 - 312  
 Sensor Kit- Park/Distance ..... Fig. 1 - 320

#### Exterior Appearance

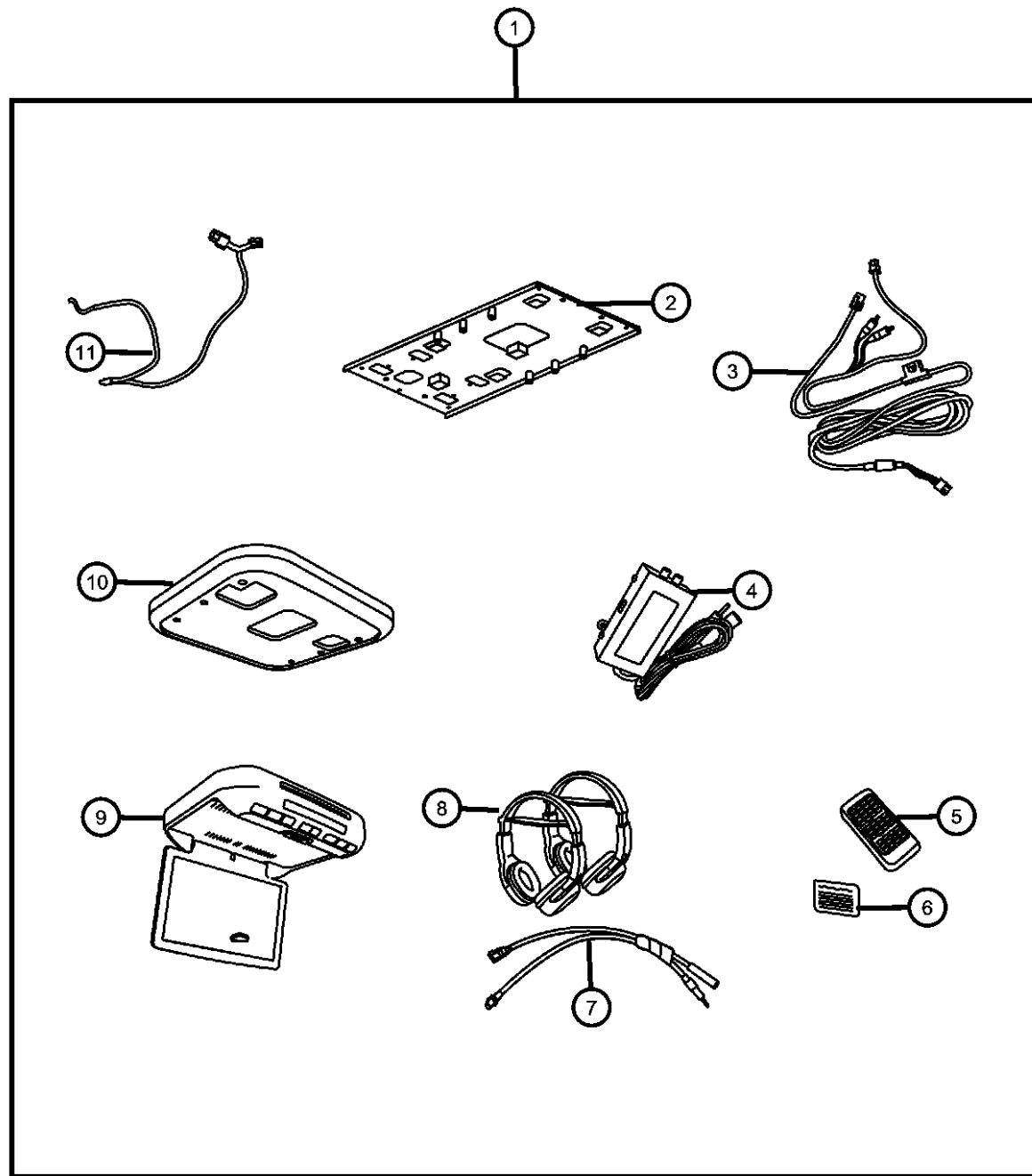
Wheel Kit..... Fig. 1 - 448

#### Fog Lights and Electrical

Heater Kit - Engine Block..... Fig. 1 - 602  
 Light Kit - Fog..... Fig. 1 - 604

<b>001-100</b> Audio and Electronics	<b>001-200</b> Carriers and Cargo Hauling	<b>001-300</b> Driver Convenience 	<b>001-400</b> Exterior Appearance
<b>001-600</b> Fog Lights and Electrical			

Media System  
Figure 1-110



ITEM	PART NUMBER	QTY	LINE	SERIES	BODY	ENGINE	TRANS	TRIM	DESCRIPTION
1	82210915AB	1							MEDIA SYSTEM, Monitor With DVD, 10 Inch, 10 Inch, Non Moonroof
2	68037919AA	1							BRACKET
3	68026724AA	1							HARNESS, Wiring
4	05166872AA	1							MODULATOR, FM
5	68024459AA	1							REMOTE, Wireless Infrared
6	05020533AA	1							LABEL, Mercury Warning
7	68037916AA	1							HARNESS, Wiring
8	05064037AA	1							HEADPHONES, Wireless, Infrared
9	68022580AB	1							RADIO, AM/FM CD/DVD
10	68022581AA	1							SHROUD, SHROUD
11	68033634AA	1							HARNESS, Wiring

JOURNEY (JC)

SERIES      LINE  
H = HIGHLINE    B = DODGE  
P = PREMIUM    D = DODGE  
S = SPORT        E = DODGE

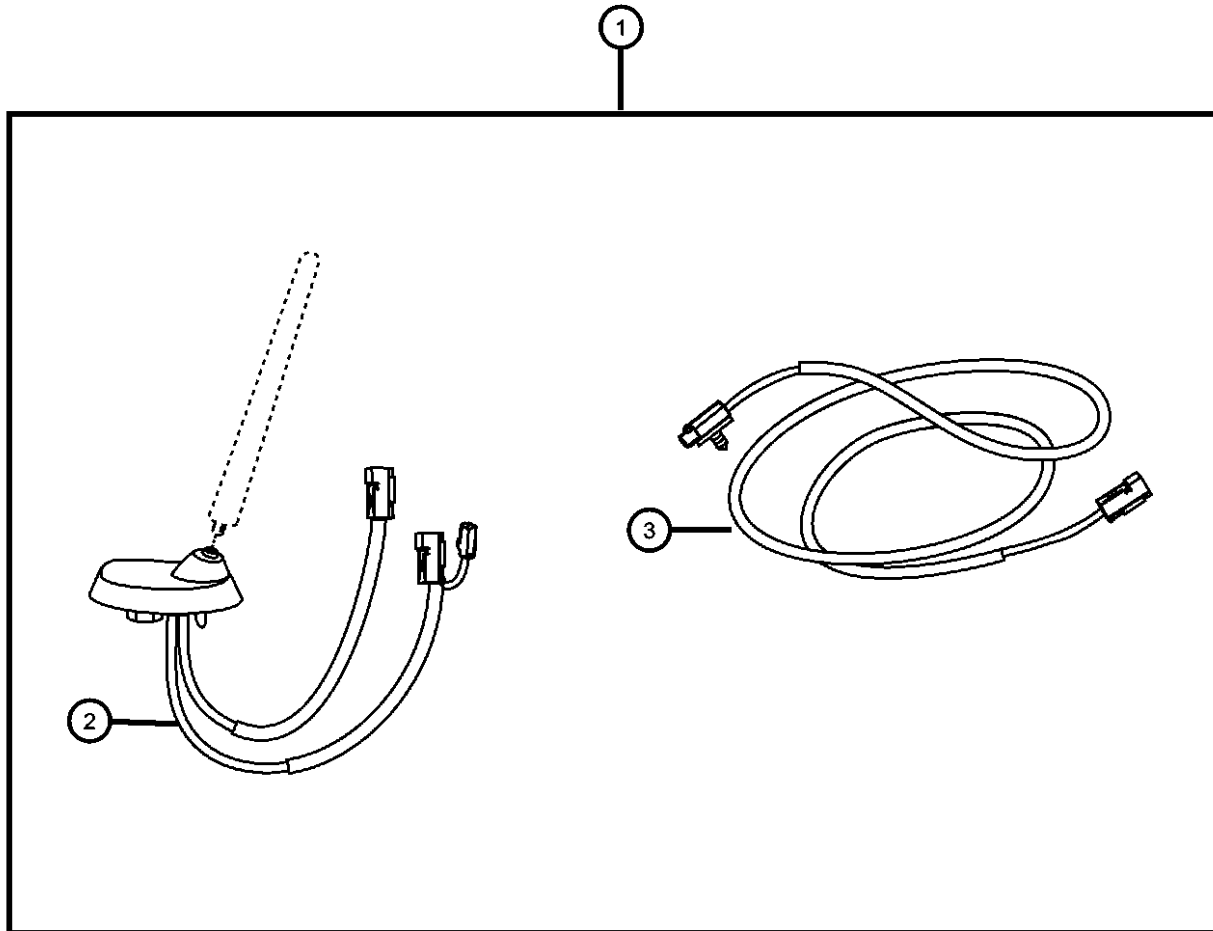
BODY  
49 = HATCHBACK TYPE #2

ENGINE      TRANSMISSION  
ECE = 2.0L 4 Cyl DOHC DPF Diesel Engine    DG2 = 6-Speed Automatic 62TE Transmission  
ED3 = 2.4L 4 Cyl DOHC 16V Dual VVT Engine    DG5 = 6-Spd Auto Getrag MPS6 Transmission  
EER = 2.7L V6 DOHC 24 Valve MPI Engine    DEF = 6-Speed Manual Aisin BG6 Trans  
EGF = 3.5L High Output V6 24V MPI Engine    DD7 = 5-Speed Manual T355 Transmission  
DFF = 4-Speed Automatic VLP 41TE Trans

AR = use ase required - = Non illustrated part

**Install Kit - Satellite Receiver**  
**Figure 1-114**

ITEM	PART NUMBER	QTY	LINE	SERIES	BODY	ENGINE	TRANS	TRIM	DESCRIPTION
1	82210905AC	1			49				INSTALL KIT, Satelite Receiver
2	05064164AB	1			49				BASE, Antenna
3	68023815AA	1			49				HARNESS, Wiring



**JOURNEY (JC)**

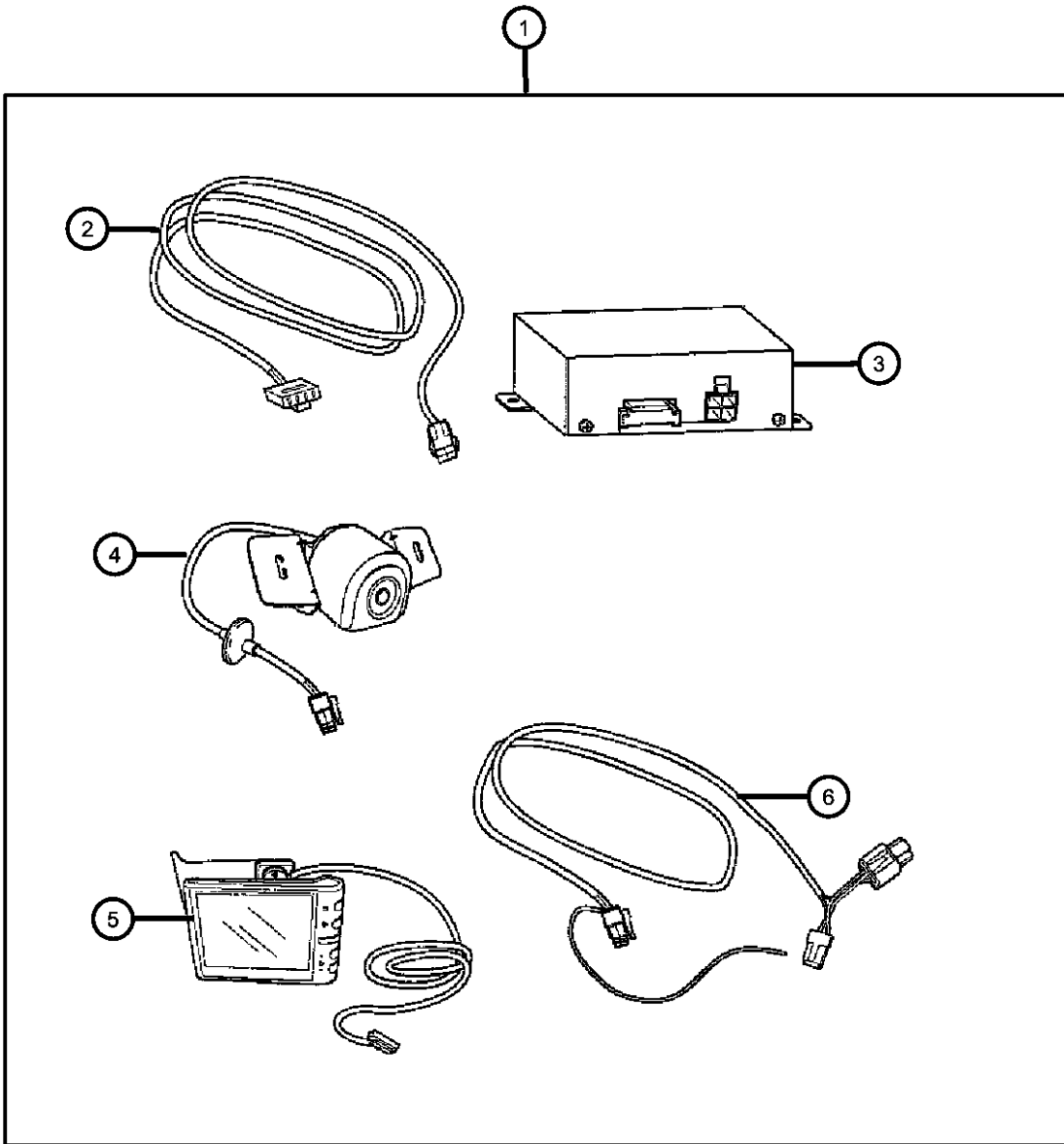
SERIES	LINE
H = HIGHLINE	B = DODGE
P = PREMIUM	D = DODGE
S = SPORT	E = DODGE

BODY  
 49 = HATCHBACK TYPE #2

ENGINE	TRANSMISSION
ECE = 2.0L 4 Cyl DOHC DPF Diesel Engine	DG2 = 6-Speed Automatic 62TE Transmission
ED3 = 2.4L 4 Cyl DOHC 16V Dual VVT Engine	DG5 = 6-Spd Auto Getrag MPS6 Transmission
EER = 2.7L V6 DOHC 24 Valve MPI Engine	DEF = 6-Speed Manual Aisin BG6 Trans
EGF = 3.5L High Output V6 24V MPI Engine	DD7 = 5-Speed Manual T355 Transmission
	DFF = 4-Speed Automatic VLP 41TE Trans

AR = use ase required - = Non illustrated part

Camera - Back Up  
Figure 1-118



ITEM	PART NUMBER	QTY	LINE	SERIES	BODY	ENGINE	TRANS	TRIM	DESCRIPTION
1	82210916	1							CAMERA KIT, Back Up
2	05191904AA	1							HARNESS, Wiring
3	05191903AA	1							CONTROL MODULE, Receiver
4	05191906AA	1							CAMERA
5	05191907AA	1							MONITOR, Back Up Camera
6	05191905AA	1							HARNESS, Wiring

**JOURNEY (JC)**

SERIES      LINE  
H = HIGHLINE    B = DODGE  
P = PREMIUM    D = DODGE  
S = SPORT        E = DODGE

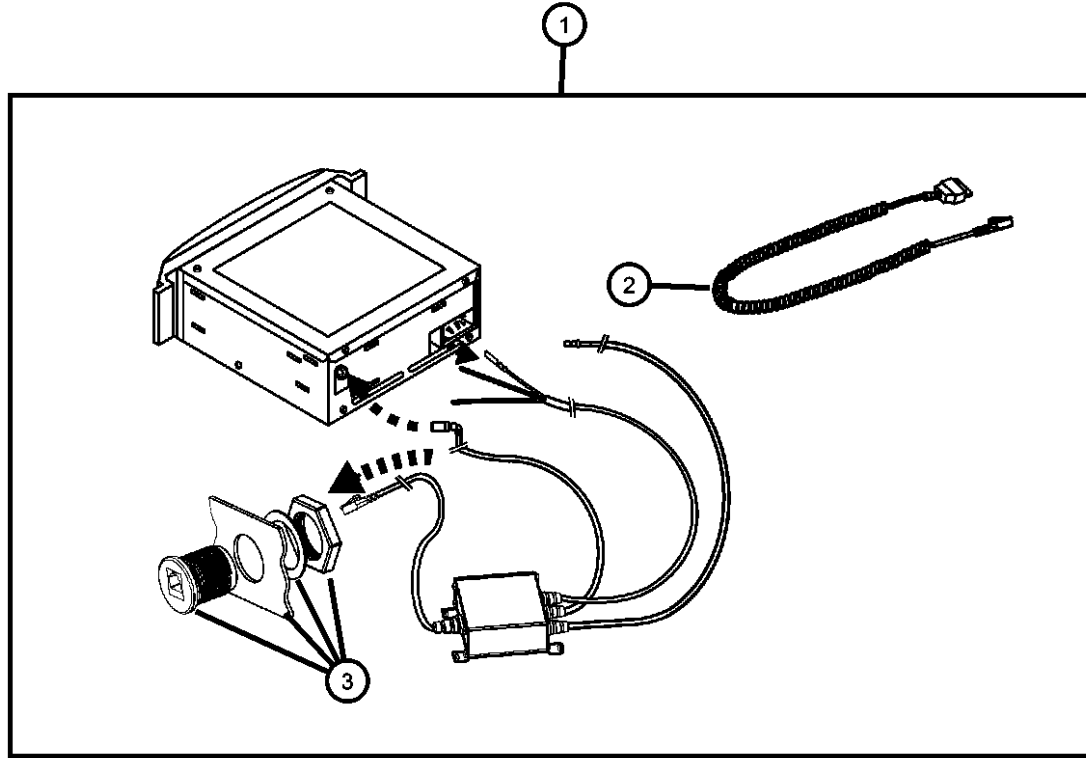
BODY  
49 = HATCHBACK TYPE #2

ENGINE                      TRANSMISSION  
ECE = 2.0L 4 Cyl DOHC DPF Diesel Engine    DG2 = 6-Speed Automatic 62TE Transmission  
ED3 = 2.4L 4 Cyl DOHC 16V Dual VVT Engine    DG5 = 6-Spd Auto Getrag MPS6 Transmission  
EER = 2.7L V6 DOHC 24 Valve MPI Engine    DEF = 6-Speed Manual Aisin BG6 Trans  
EGF = 3.5L High Output V6 24V MPI Engine    DD7 = 5-Speed Manual T355 Transmission  
DFF = 4-Speed Automatic VLP 41TE Trans

AR = use ase required - = Non illustrated part

IPod  
Figure 1-122

ITEM	PART NUMBER	QTY	LINE	SERIES	BODY	ENGINE	TRANS	TRIM	DESCRIPTION
1	82210848AB	1			49				MODULE KIT, IPOD Interface
2	68001396AA	1			49				HARNESS, Jumper
3	68024675AA	1			49				HARDWARE, Contains: RJ11 Coupler, Plastic Nut & Lockwasher



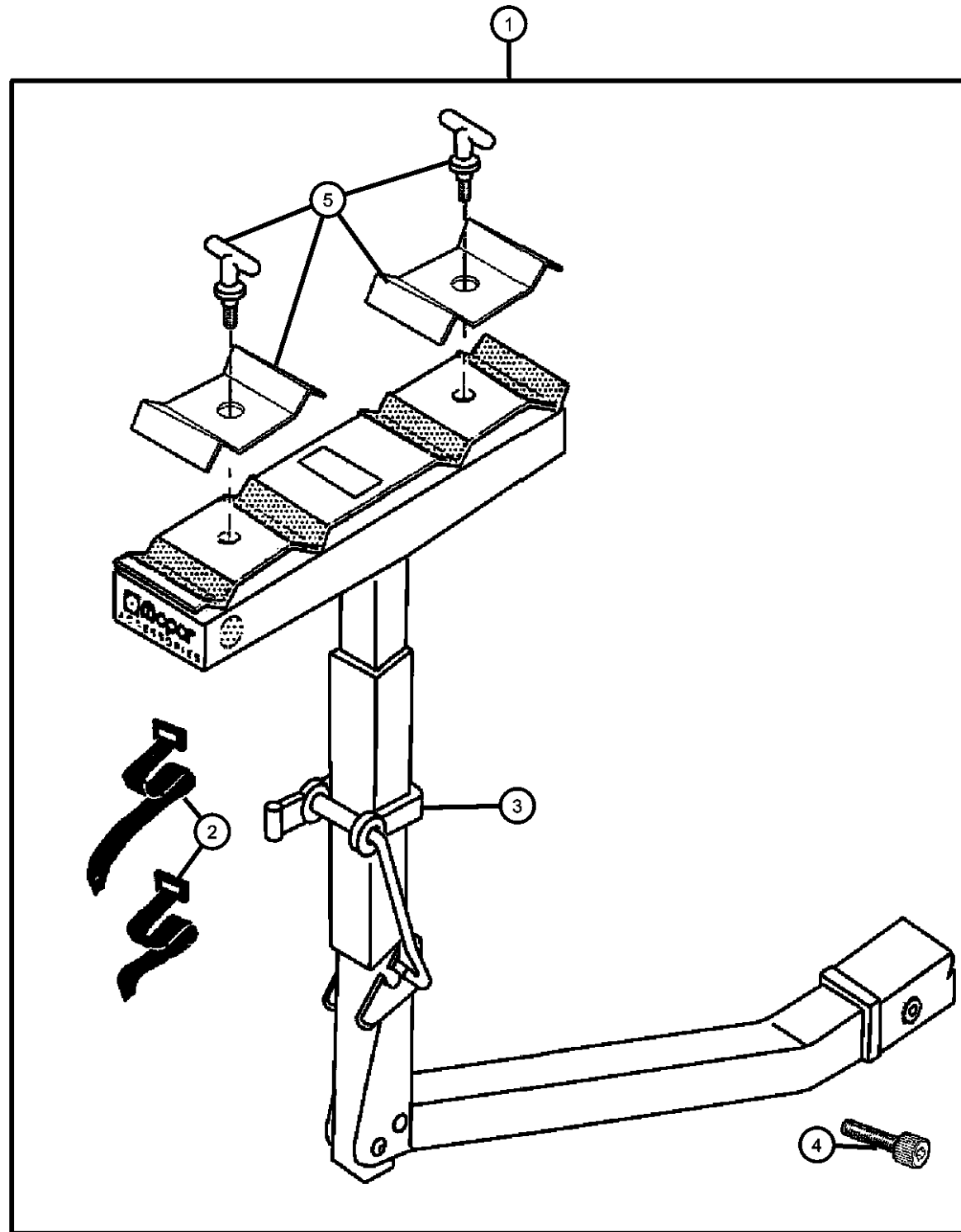
**JOURNEY (JC)**

SERIES	LINE
H = HIGHLINE	B = DODGE
P = PREMIUM	D = DODGE
S = SPORT	E = DODGE

BODY  
49 = HATCHBACK TYPE #2

ENGINE	TRANSMISSION
ECE = 2.0L 4 Cyl DOHC DPF Diesel Engine	DG2 = 6-Speed Automatic 62TE Transmission
ED3 = 2.4L 4 Cyl DOHC 16V Dual VVT Engine	DG5 = 6-Spd Auto Getrag MPS6 Transmission
EER = 2.7L V6 DOHC 24 Valve MPI Engine	DEF = 6-Speed Manual Aisin BG6 Trans
EGF = 3.5L High Output V6 24V MPI Engine	DD7 = 5-Speed Manual T355 Transmission
	DFF = 4-Speed Automatic VLP 41TE Trans

Carrier Kit - Hitch  
Figure 1-204



ITEM	PART NUMBER	QTY	LINE	SERIES	BODY	ENGINE	TRANS	TRIM	DESCRIPTION
1	82204328AB	1			49				CARRIER KIT, Bike Four Bike 2.0 Receiver Hitch Required
	82204453AB	1			49				Two Bike 2.0 Receiver Hitch Required
2	04762880	1			49				STRAP KIT, Velcro
3	05016775AA	1			49				STRAP KIT, Bike Carrier Latch
4	05016776AA	1			49				BOLT KIT, Security
5	05018825AA	1			49				HARDWARE KIT, Bike Carrier, Contains: T Handle, Lock Strap, Top Clamp Assy & Nylon Washer

JOURNEY (JC)

SERIES	LINE
H = HIGHLINE	B = DODGE
P = PREMIUM	D = DODGE
S = SPORT	E = DODGE

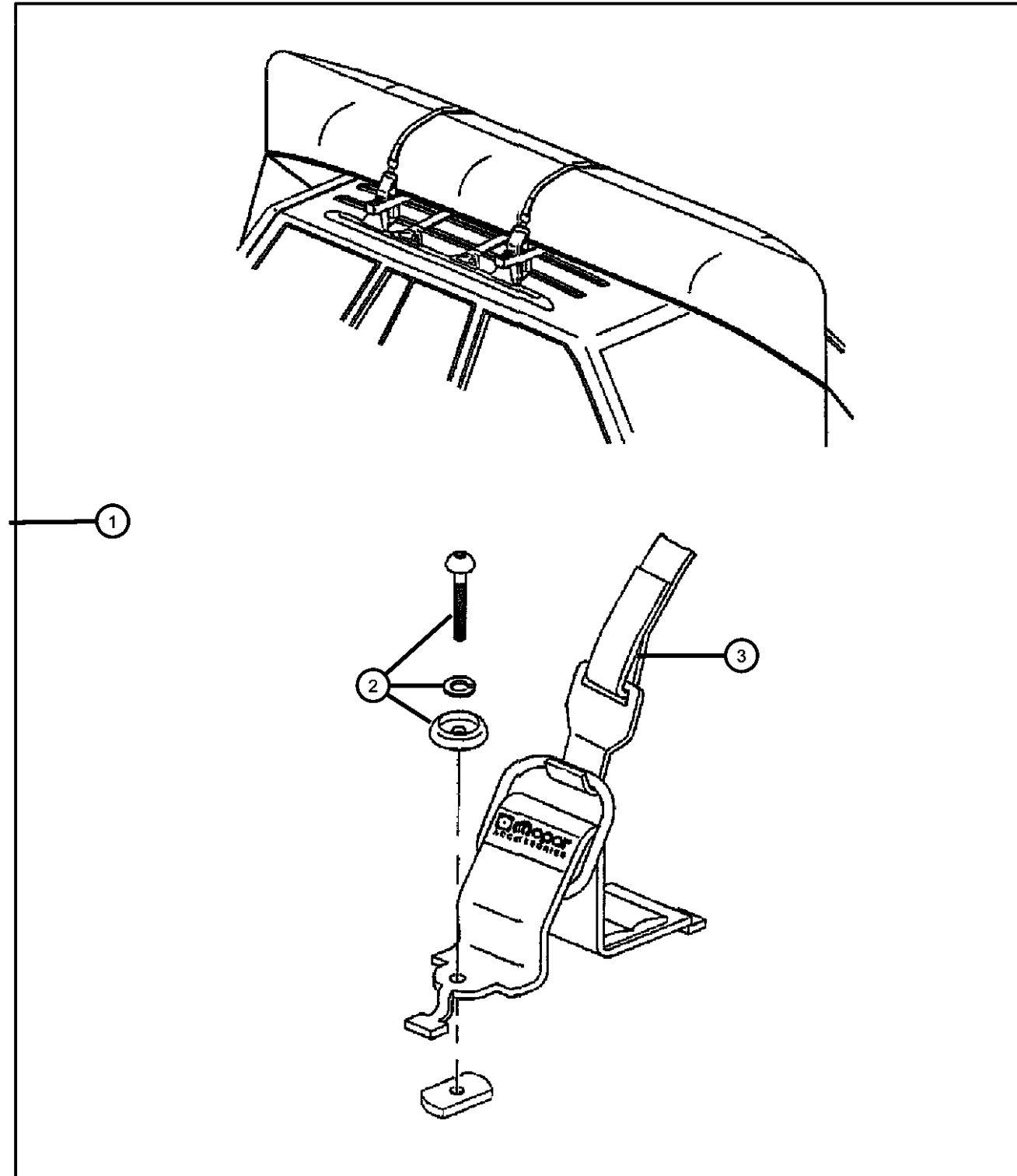
BODY
49 = HATCHBACK TYPE #2

ENGINE	TRANSMISSION
ECE = 2.0L 4 Cyl DOHC DPF Diesel Engine	DG2 = 6-Speed Automatic 62TE Transmission
ED3 = 2.4L 4 Cyl DOHC 16V Dual VVT Engine	DG5 = 6-Spd Auto Getrag MPS6 Transmission
EER = 2.7L V6 DOHC 24 Valve MPI Engine	DEF = 6-Speed Manual Aisin BG6 Trans
EGF = 3.5L High Output V6 24V MPI Engine	DD7 = 5-Speed Manual T355 Transmission
	DFF = 4-Speed Automatic VLP 41TE Trans

AR = use ase required - = Non illustrated part

2009 JC

Carrier Kit - Canoe  
Figure 1-212



ITEM	PART NUMBER	QTY	LINE	SERIES	BODY	ENGINE	TRANS	TRIM	DESCRIPTION
1	82204700	1			49				CARRIER KIT, Canoe
2	05016389AA	1			49				HARDWARE KIT, Accessory, Contains: 4-25MM Button Head Screws, 4-30MM Button Head Screws, 4-Lockwashers, 4-Dome Washers, 4-Rubber Washers & 4-T-Nuts
3	05016511AA	1			49				STRAP, Cargo Tie Down

JOURNEY (JC)

SERIES	LINE
H = HIGHLINE	B = DODGE
P = PREMIUM	D = DODGE
S = SPORT	E = DODGE

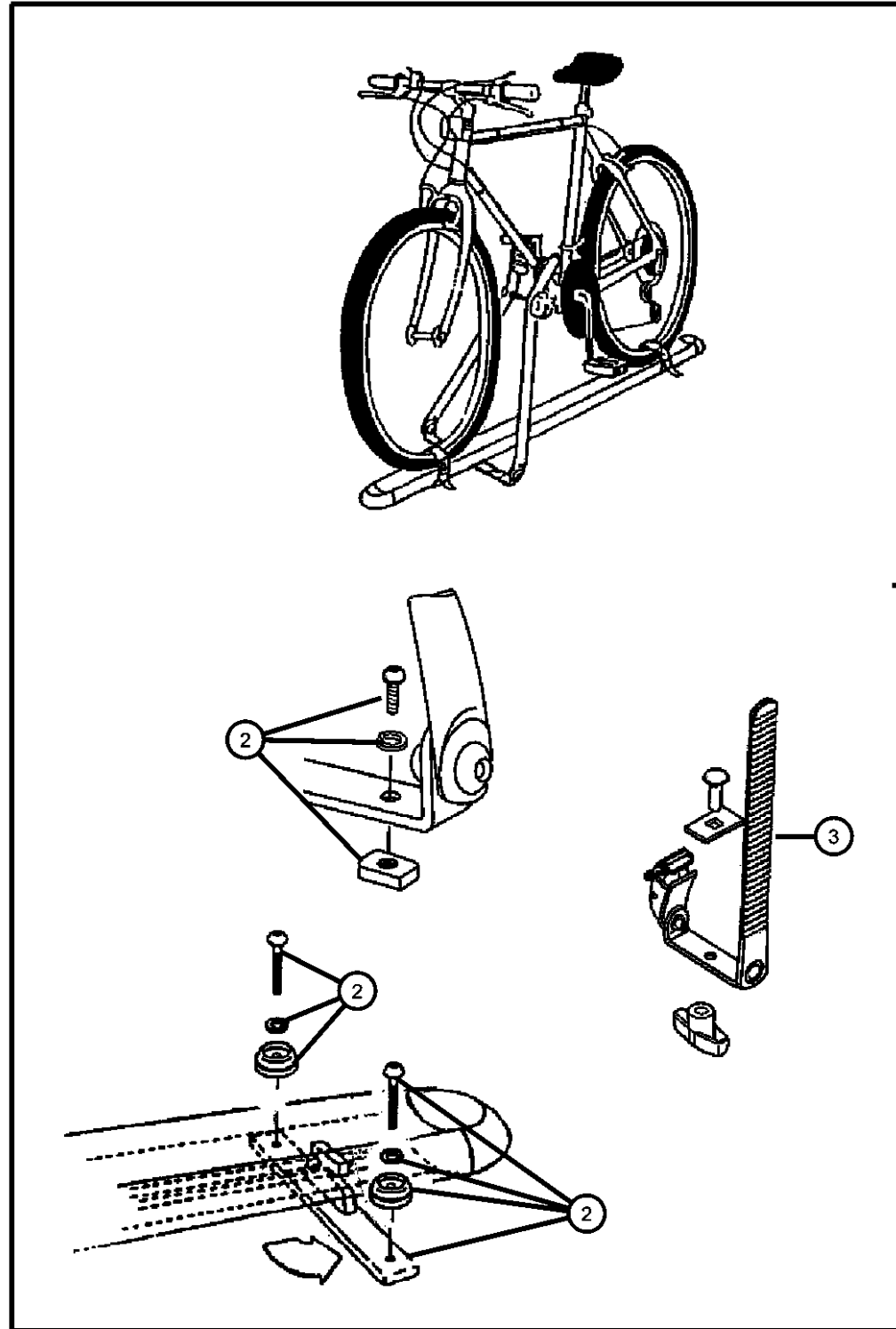
BODY
49 = HATCHBACK TYPE #2

ENGINE	TRANSMISSION
ECE = 2.0L 4 Cyl DOHC DPF Diesel Engine	DG2 = 6-Speed Automatic 62TE Transmission
ED3 = 2.4L 4 Cyl DOHC 16V Dual VVT Engine	DG5 = 6-Spd Auto Getrag MPS6 Transmission
EER = 2.7L V6 DOHC 24 Valve MPI Engine	DEF = 6-Speed Manual Aisin BG6 Trans
EGF = 3.5L High Output V6 24V MPI Engine	DD7 = 5-Speed Manual T355 Transmission
	DFF = 4-Speed Automatic VLP 41TE Trans

AR = use ase required - = Non illustrated part



Carrier Kit -Bike-Fork Mount  
Figure 1-214



ITEM	PART NUMBER	QTY	LINE	SERIES	BODY	ENGINE	TRANS	TRIM	DESCRIPTION
1	82207942	1			49				CARRIER KIT, Bike, Upright - Mount
2	05093779AA	1			49				HARDWARE KIT, Accessory, Contains: 2-T-Slot Anchors, 1-Rear T-Slot Bar, 4-Button Head Screws, 2-Lockwashers & 4-Round Dome Washers
3	05114532AA	1			49				STRAP, Cargo Tie Down

JOURNEY (JC)

SERIES	LINE
H = HIGHLINE	B = DODGE
P = PREMIUM	D = DODGE
S = SPORT	E = DODGE

BODY
49 = HATCHBACK TYPE #2

ENGINE	TRANSMISSION
ECE = 2.0L 4 Cyl DOHC DPF Diesel Engine	DG2 = 6-Speed Automatic 62TE Transmission
ED3 = 2.4L 4 Cyl DOHC 16V Dual VVT Engine	DG5 = 6-Spd Auto Getrag MPS6 Transmission
EER = 2.7L V6 DOHC 24 Valve MPI Engine	DEF = 6-Speed Manual Aisin BG6 Trans
EGF = 3.5L High Output V6 24V MPI Engine	DD7 = 5-Speed Manual T355 Transmission
	DFF = 4-Speed Automatic VLP 41TE Trans

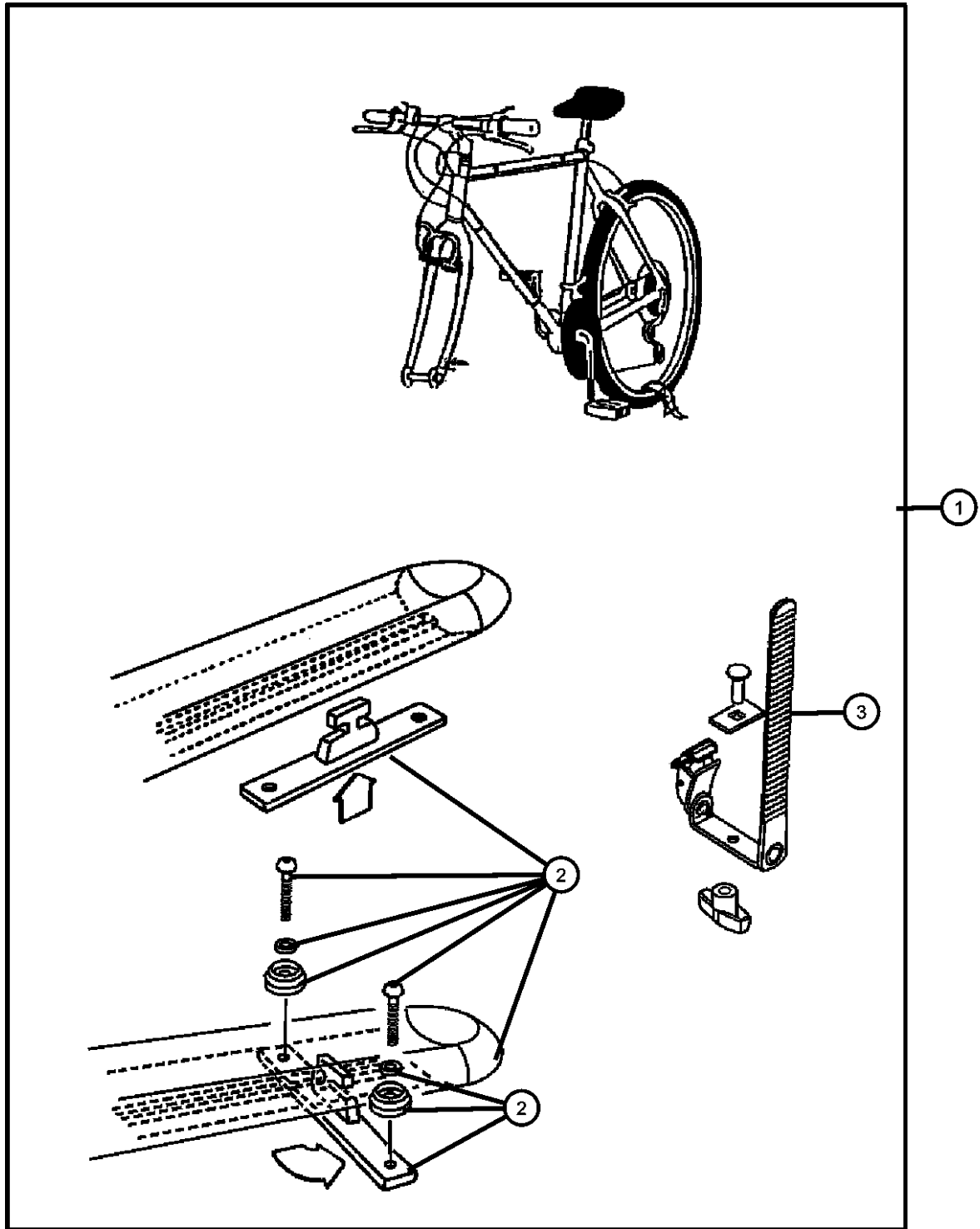
AR = use ase required - = Non illustrated part

**Carrier Kit -Bike-Upright Mount  
Figure 1-216**

ITEM	PART NUMBER	QTY	LINE	SERIES	BODY	ENGINE	TRANS	TRIM	DESCRIPTION
------	-------------	-----	------	--------	------	--------	-------	------	-------------

NOTE: Hardware Kit also contained in Carrier Kit.

1	82207943	1			49				CARRIER KIT, Bike, Fork - Mount
2	05093779AA	1			49				HARDWARE KIT, Accessory, Contains: 2-T-Slot Anchors, 1-Rear T-Slot Bar, 4- Button Head Screws, 2- Lockwashers, 4- Round Dome Washers
3	05114532AA	1			49				STRAP, Cargo Tie Down



**JOURNEY (JC)**

SERIES	LINE
H = HIGHLINE	B = DODGE
P = PREMIUM	D = DODGE
S = SPORT	E = DODGE

BODY
49 = HATCHBACK TYPE #2

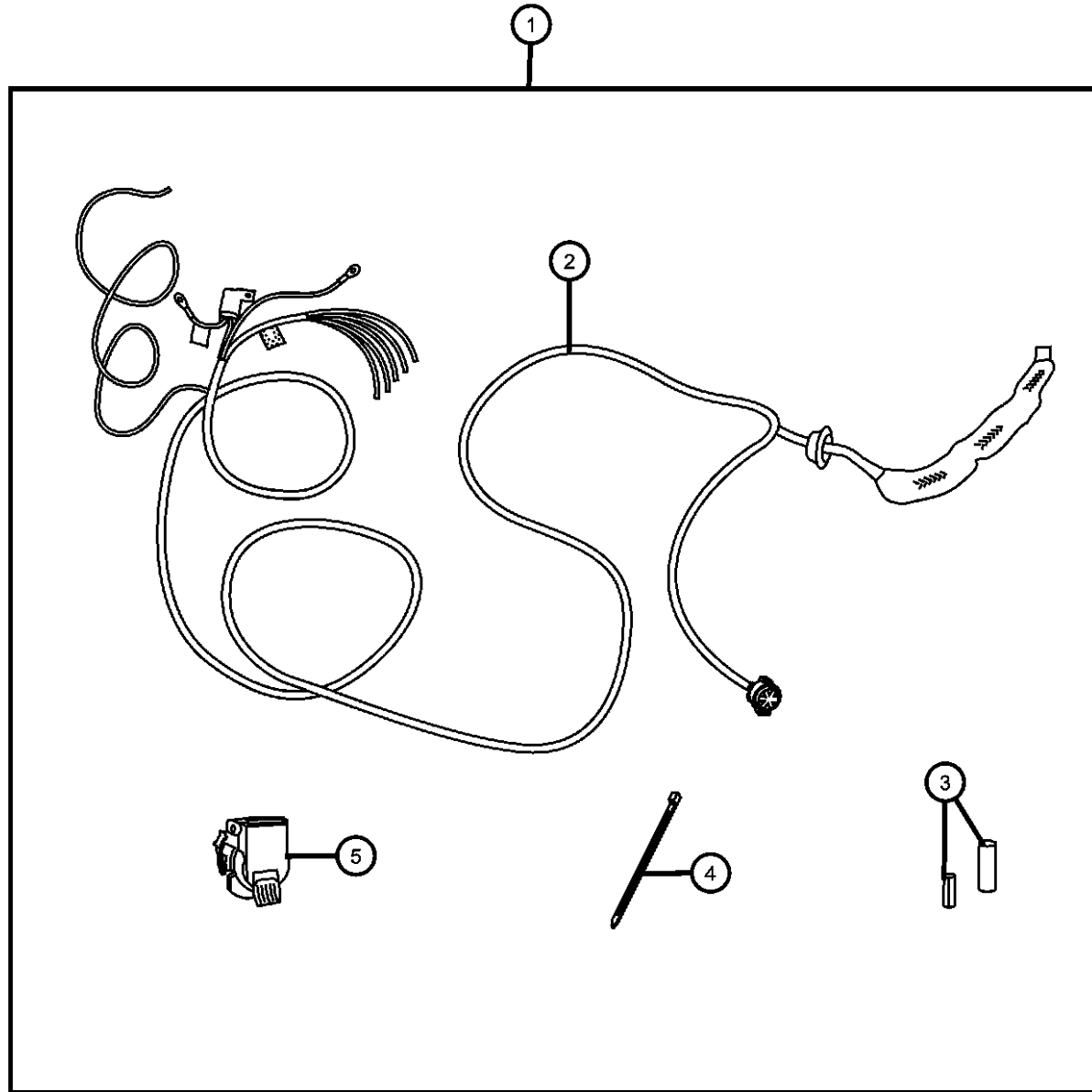
ENGINE	TRANSMISSION
ECE = 2.0L 4 Cyl DOHC DPF Diesel Engine	DG2 = 6-Speed Automatic 62TE Transmission
ED3 = 2.4L 4 Cyl DOHC 16V Dual VVT Engine	DG5 = 6-Spd Auto Getrag MPS6 Transmission
EER = 2.7L V6 DOHC 24 Valve MPI Engine	DEF = 6-Speed Manual Aisin BG6 Trans
EGF = 3.5L High Output V6 24V MPI Engine	DD7 = 5-Speed Manual T355 Transmission
	DFF = 4-Speed Automatic VLP 41TE Trans

AR = use ase required - = Non illustrated part

2009 JC

**Wiring Package-Trailer Tow-7-Way  
Figure 1-243**

ITEM	PART NUMBER	QTY	LINE	SERIES	BODY	ENGINE	TRANS	TRIM	DESCRIPTION
1	82211011	1							WIRING KIT, Trailer Tow - 7 Way
2	68027777AA	1							HARNESS, Trailer
3	04778570	1							TUBE, Heat Shrink, Quantity of 5
4	06015756	1			49				STRAP, Tie, Quantity of 12
5	56047684AC	1							CONNECTOR, 7 Way



**JOURNEY (JC)**

SERIES	LINE
H = HIGHLINE	B = DODGE
P = PREMIUM	D = DODGE
S = SPORT	E = DODGE

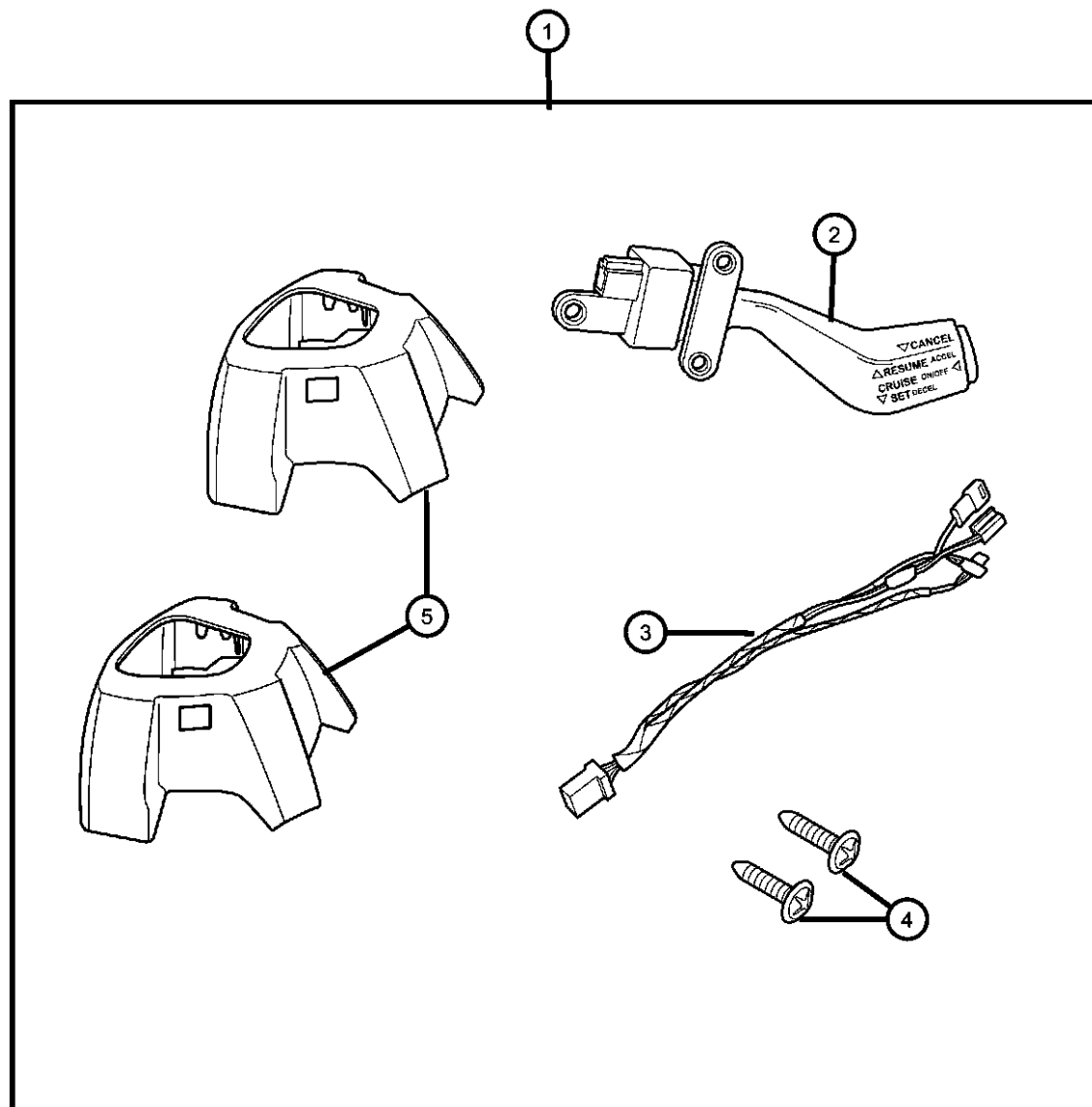
BODY
49 = HATCHBACK TYPE #2

ENGINE	TRANSMISSION
ECE = 2.0L 4 Cyl DOHC DPF Diesel Engine	DG2 = 6-Speed Automatic 62TE Transmission
ED3 = 2.4L 4 Cyl DOHC 16V Dual VVT Engine	DG5 = 6-Spd Auto Getrag MPS6 Transmission
EER = 2.7L V6 DOHC 24 Valve MPI Engine	DEF = 6-Speed Manual Aisin BG6 Trans
EGF = 3.5L High Output V6 24V MPI Engine	DD7 = 5-Speed Manual T355 Transmission
	DFF = 4-Speed Automatic VLP 41TE Trans

AR = use ase required - = Non illustrated part

**Speed Control Kit  
Figure 1-306**

ITEM	PART NUMBER	QTY	LINE	SERIES	BODY	ENGINE	TRANS	TRIM	DESCRIPTION
1	82211188	1			49				CONTROL PACKAGE, Speed Control
2	04671929AA	1	B, D, E		49				SWITCH, Speed Control
3	68036592AA	1	B, D, E		49				WIRING, Steering Wheel
4	68036592AA	1							SCREW, (NOT SERVICED)
5									COVER, Steering Wheel Back
	1EB85DK7AB	1	B, D, E		49				[KA]
	1EB85XDVAB	1	B, D, E		49				[D1]
-6	06505656AA	1			49				SCREW, Hex Flange Head, M10x1.5x35., Steering Wheel to Column



**JOURNEY (JC)**

SERIES	LINE
H = HIGHLINE	B = DODGE
P = PREMIUM	D = DODGE
S = SPORT	E = DODGE

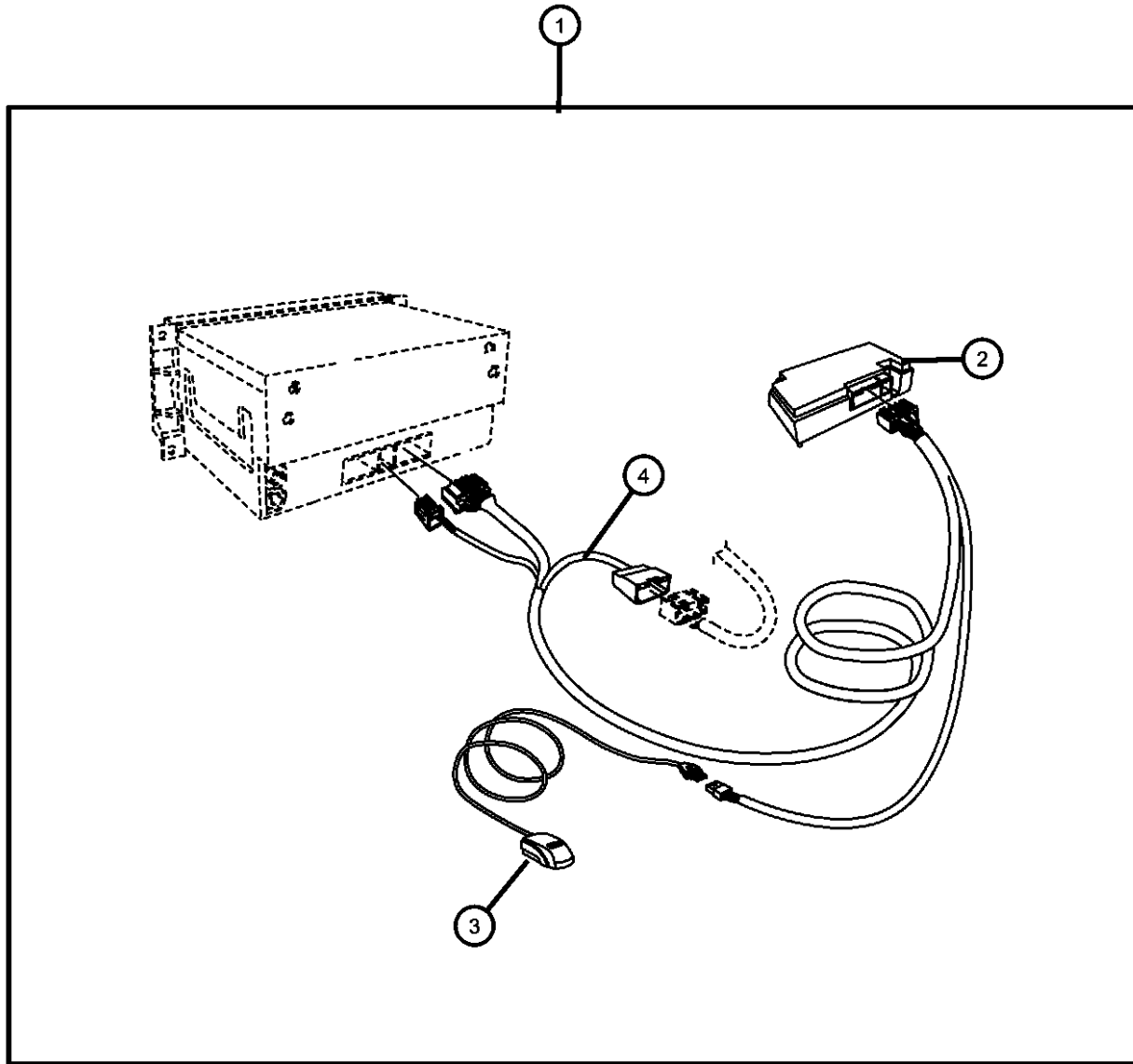
BODY  
49 = HATCHBACK TYPE #2

ENGINE	TRANSMISSION
ECE = 2.0L 4 Cyl DOHC DPF Diesel Engine	DG2 = 6-Speed Automatic 62TE Transmission
ED3 = 2.4L 4 Cyl DOHC 16V Dual VVT Engine	DG5 = 6-Spd Auto Getrag MPS6 Transmission
EER = 2.7L V6 DOHC 24 Valve MPI Engine	DEF = 6-Speed Manual Aisin BG6 Trans
EGF = 3.5L High Output V6 24V MPI Engine	DD7 = 5-Speed Manual T355 Transmission
	DFF = 4-Speed Automatic VLP 41TE Trans

AR = use ase required - = Non illustrated part

**Hands Free Kit- Cellular Phone-Blue Tooth-Low Speed  
Figure 1-312**

ITEM	PART NUMBER	QTY	LINE	SERIES	BODY	ENGINE	TRANS	TRIM	DESCRIPTION
1	82211004AB	1			49				HANDS FREE KIT, Cellular Phone
2	05064449AB	1			49				MODULE, Telematics
3	68002646AA	1			49				MICROPHONE, Audio
4	68002648AA	1			49				HARNESS



**JOURNEY (JC)**

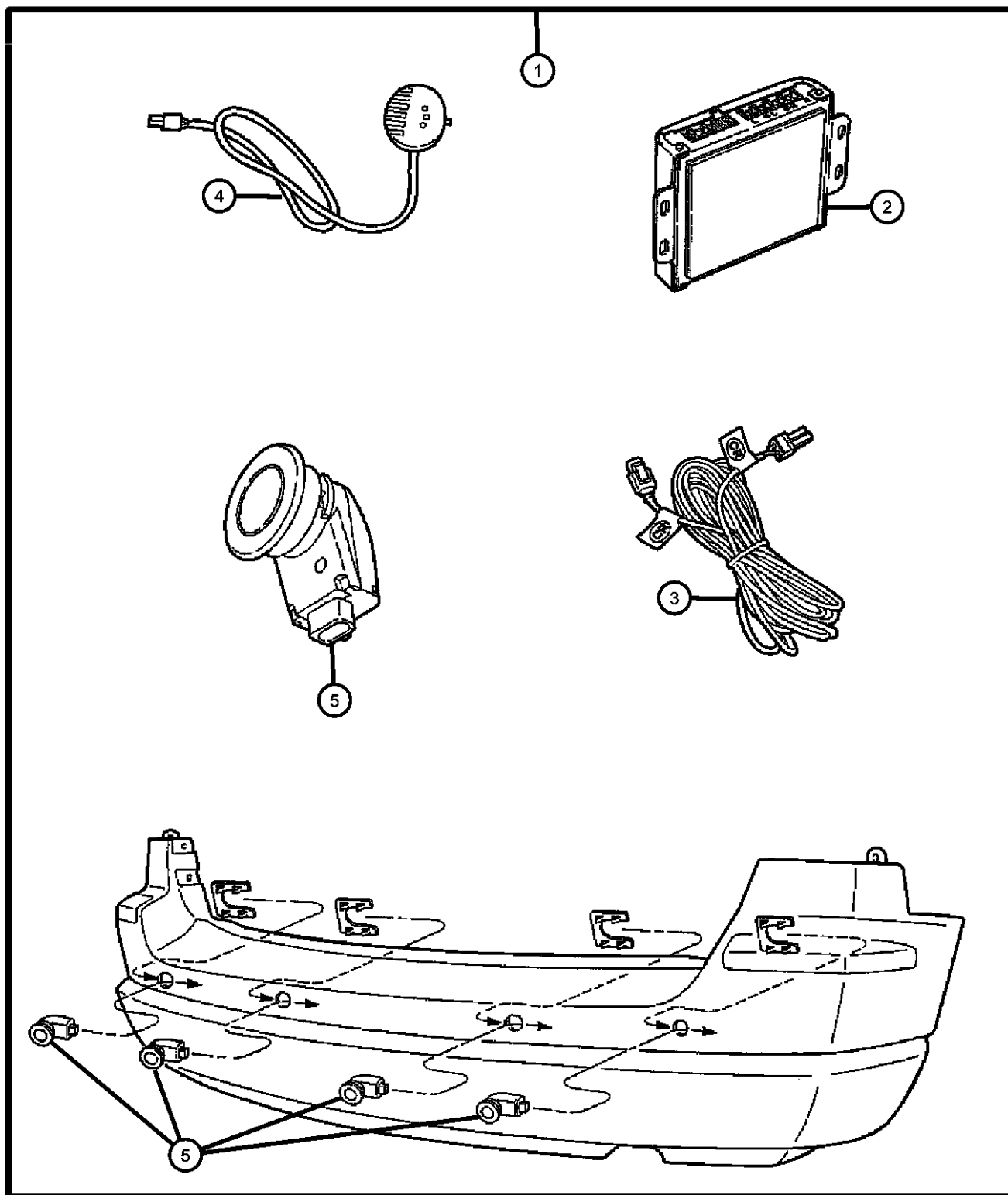
SERIES	LINE
H = HIGHLINE	B = DODGE
P = PREMIUM	D = DODGE
S = SPORT	E = DODGE

BODY
49 = HATCHBACK TYPE #2

ENGINE	TRANSMISSION
ECE = 2.0L 4 Cyl DOHC DPF Diesel Engine	DG2 = 6-Speed Automatic 62TE Transmission
ED3 = 2.4L 4 Cyl DOHC 16V Dual VVT Engine	DG5 = 6-Spd Auto Getrag MPS6 Transmission
EER = 2.7L V6 DOHC 24 Valve MPI Engine	DEF = 6-Speed Manual Aisin BG6 Trans
EGF = 3.5L High Output V6 24V MPI Engine	DD7 = 5-Speed Manual T355 Transmission
	DFF = 4-Speed Automatic VLP 41TE Trans

AR = use ase required - = Non illustrated part

**Sensor Kit- Park/Distance**  
**Figure 1-320**



ITEM	PART NUMBER	QTY	LINE	SERIES	BODY	ENGINE	TRANS	TRIM	DESCRIPTION
1	82208246AE	1			49				SENSOR KIT, Park Distance
2	05137541AA	1			49				MODULE, Parking Assist
3	05137540AA	1			49				WIRING, Distance Sensor
4	05137539AA	1			49				DISPLAY, Parking Assist
5	05137536AA	1			49				SENSOR

**JOURNEY (JC)**

SERIES	LINE
H = HIGHLINE	B = DODGE
P = PREMIUM	D = DODGE
S = SPORT	E = DODGE

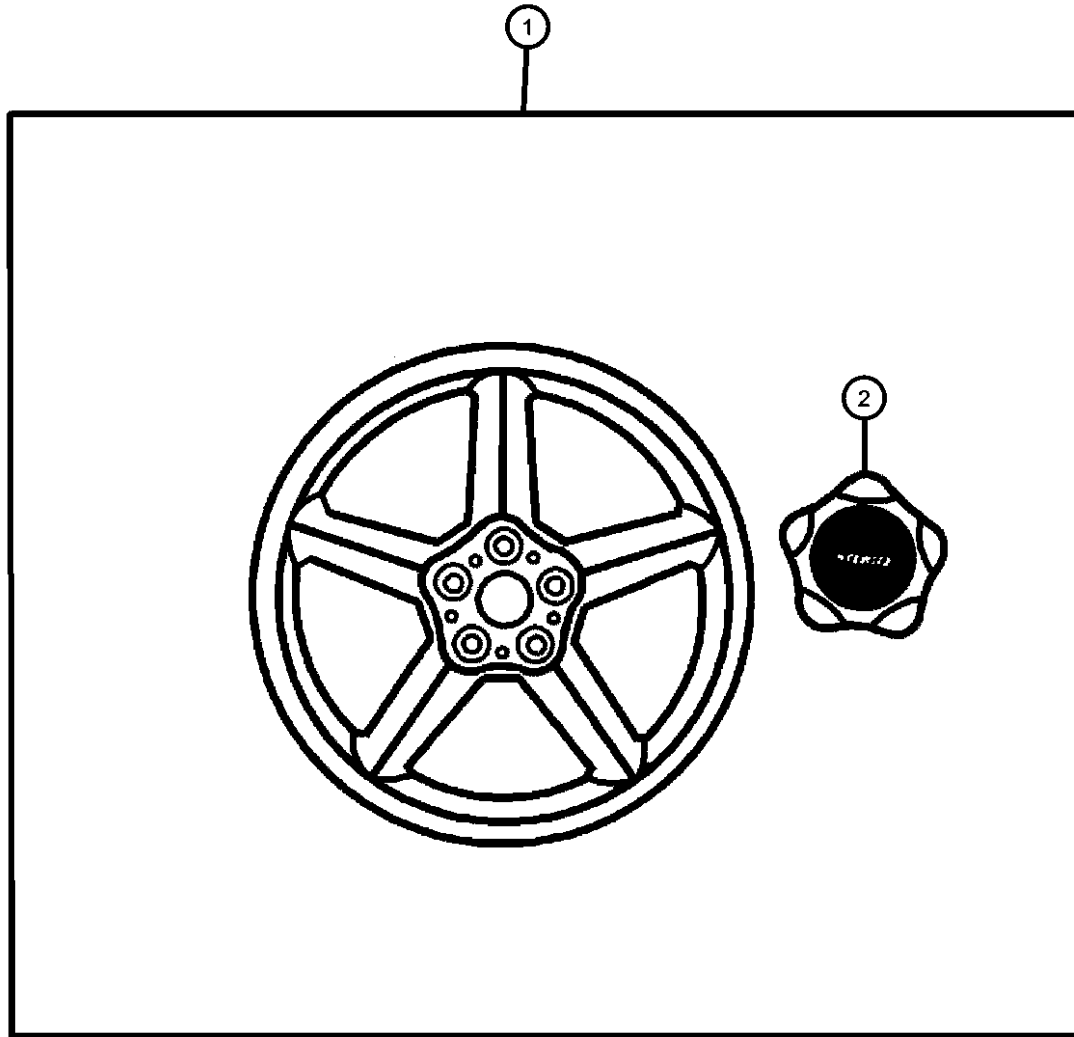
BODY  
 49 = HATCHBACK TYPE #2

ENGINE	TRANSMISSION
ECE = 2.0L 4 Cyl DOHC DPF Diesel Engine	DG2 = 6-Speed Automatic 62TE Transmission
ED3 = 2.4L 4 Cyl DOHC 16V Dual VVT Engine	DG5 = 6-Spd Auto Getrag MPS6 Transmission
EER = 2.7L V6 DOHC 24 Valve MPI Engine	DEF = 6-Speed Manual Aisin BG6 Trans
EGF = 3.5L High Output V6 24V MPI Engine	DD7 = 5-Speed Manual T355 Transmission
	DFF = 4-Speed Automatic VLP 41TE Trans

AR = use ase required - = Non illustrated part

Wheel Kit  
Figure 1-448

ITEM	PART NUMBER	QTY	LINE	SERIES	BODY	ENGINE	TRANS	TRIM	DESCRIPTION
1	82211200	1			49				WHEEL KIT, Cast Aluminum, 19x7 Chrome
2	52013982AA	1			49				CAP, Wheel Center



**JOURNEY (JC)**

SERIES      LINE  
H = HIGHLINE    B = DODGE  
P = PREMIUM    D = DODGE  
S = SPORT        E = DODGE

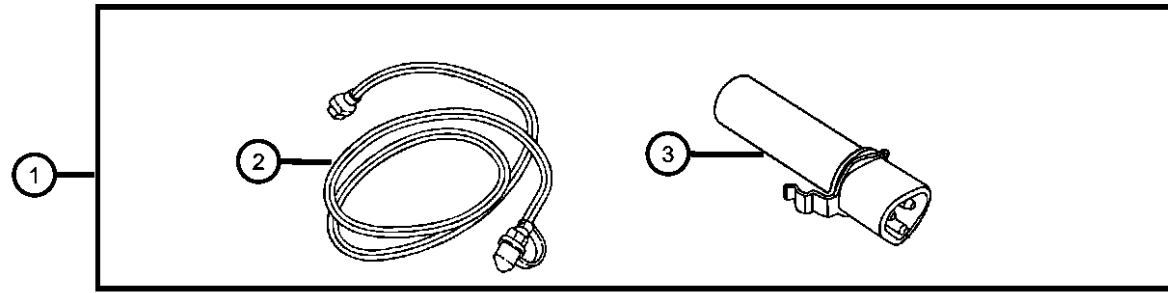
BODY  
49 = HATCHBACK TYPE #2

ENGINE      TRANSMISSION  
ECE = 2.0L 4 Cyl DOHC DPF Diesel Engine    DG2 = 6-Speed Automatic 62TE Transmission  
ED3 = 2.4L 4 Cyl DOHC 16V Dual VVT Engine    DG5 = 6-Spd Auto Getrag MPS6 Transmission  
EER = 2.7L V6 DOHC 24 Valve MPI Engine    DEF = 6-Speed Manual Aisin BG6 Trans  
EGF = 3.5L High Output V6 24V MPI Engine    DD7 = 5-Speed Manual T355 Transmission  
DFF = 4-Speed Automatic VLP 41TE Trans

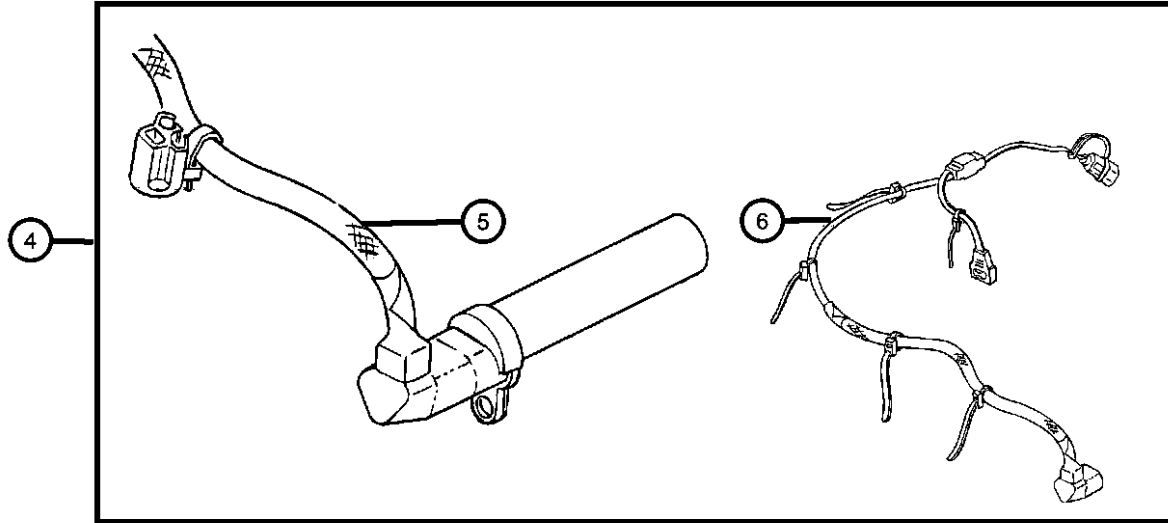
AR = use ase required - = Non illustrated part

2009 JC

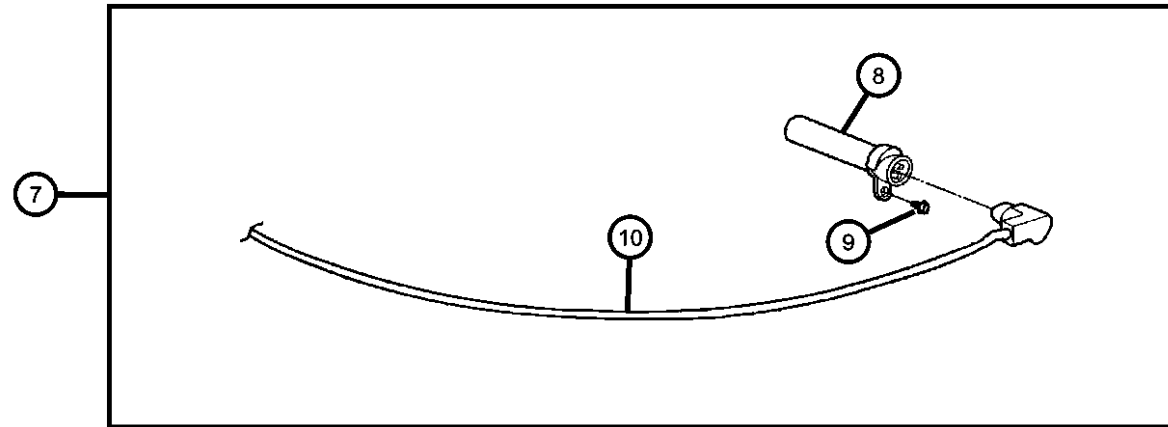
Heater Kit - Engine Block  
Figure 1-602



2.4 L



2.7 L



3.5 L

ITEM	PART NUMBER	QTY	LINE	SERIES	BODY	ENGINE	TRANS	TRIM	DESCRIPTION
1	82210533	1							HEATER KIT, Engine Block, 2.4L
2	05033279AA	1							CORD, Engine Block Heater, 2.4L
3	05033557AB	1							HEATER, Engine, 2.4L
4	82206784	1			49				HEATER KIT, Engine and Battery, 2.7L
5	04609325AB	1			49				HEATER, Engine Block, 2.7L
6	04609112AA	1			49				CORD, Engine Block Heater, 2.7L
7	82208362AB	1			49				HEATER KIT, Engine Block, 3.5L
8	04609325AB	1			49				HEATER, Engine Block, 3.5L
9	06501957	1			49				BOLT AND WASHER, Hex Head, M6X1.00X20.00
10	04868424AC	1			49				CORD, Engine Block Heater, 3.5L

JOURNEY (JC)

SERIES	LINE
H = HIGHLINE	B = DODGE
P = PREMIUM	D = DODGE
S = SPORT	E = DODGE

BODY
49 = HATCHBACK TYPE #2

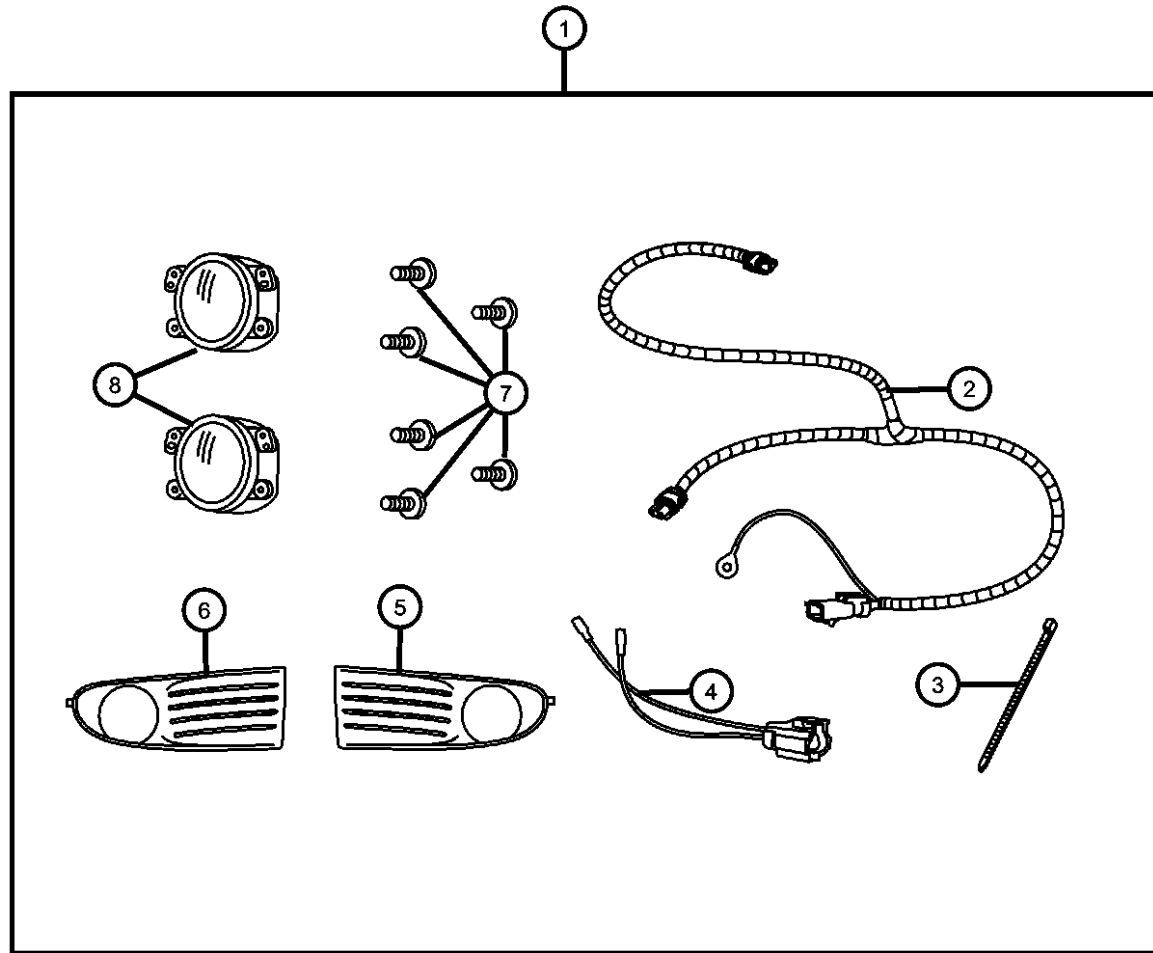
ENGINE	TRANSMISSION
ECE = 2.0L 4 Cyl DOHC DPF Diesel Engine	DG2 = 6-Speed Automatic 62TE Transmission
ED3 = 2.4L 4 Cyl DOHC 16V Dual VVT Engine	DG5 = 6-Spd Auto Getrag MPS6 Transmission
EER = 2.7L V6 DOHC 24 Valve MPI Engine	DEF = 6-Speed Manual Aisin BG6 Trans
EGF = 3.5L High Output V6 24V MPI Engine	DD7 = 5-Speed Manual T355 Transmission
	DFF = 4-Speed Automatic VLP 41TE Trans

AR = use ase required - = Non illustrated part



Light Kit - Fog  
Figure 1-604

ITEM	PART NUMBER	QTY	LINE	SERIES	BODY	ENGINE	TRANS	TRIM	DESCRIPTION
1	82211187	1			49				LIGHT KIT, Fog-Complete
2	05166846AA	1			49				HARNESS, Overlay
3	06015756	1							STRAP, Tie, Quantity of 4
4	05166846AA	1			49				HARNESS, Overlay
5	05178285AA	1	B, D, E		49				BEZEL, Fog LampLeft Hand
6	05178284AA	1	B, D, E		49				BEZEL, Fog LampRight Hand
7	06505887AA	6	B, D, E		49				SCREW, Pan Head, M4 x 0.70 x 25.00
8	04805856AA	2	B, D, E		49				LAMP, Front Fog



JOURNEY (JC)

SERIES	LINE
H = HIGHLINE	B = DODGE
P = PREMIUM	D = DODGE
S = SPORT	E = DODGE

BODY
49 = HATCHBACK TYPE #2

ENGINE	TRANSMISSION
ECE = 2.0L 4 Cyl DOHC DPF Diesel Engine	DG2 = 6-Speed Automatic 62TE Transmission
ED3 = 2.4L 4 Cyl DOHC 16V Dual VVT Engine	DG5 = 6-Spd Auto Getrag MPS6 Transmission
EER = 2.7L V6 DOHC 24 Valve MPI Engine	DEF = 6-Speed Manual Aisin BG6 Trans
EGF = 3.5L High Output V6 24V MPI Engine	DD7 = 5-Speed Manual T355 Transmission
	DFF = 4-Speed Automatic VLP 41TE Trans

AR = use ase required - = Non illustrated part

# Group - 2

## Front Suspension

### Group - 2 Front Suspension

Illustration Title

Group-Fig. No.

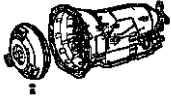
#### Front Suspension, Strut and Cradle

Suspension, Front..... Fig. 2 - 105

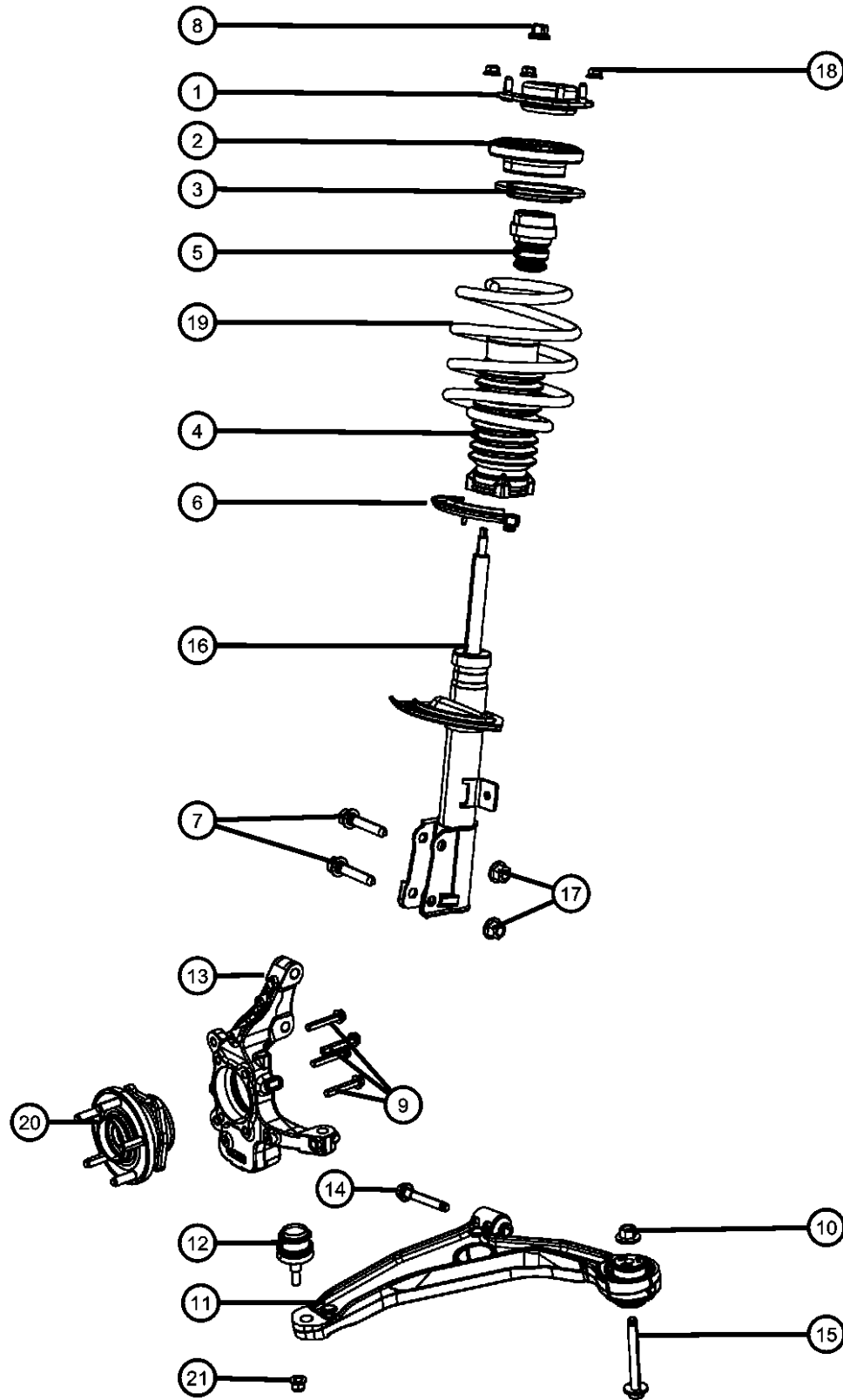
Crossmember,Front Suspension..... Fig. 2 - 130

#### Front Stabilizer Bar

Stabilizer Bar, Front..... Fig. 2 - 205

<p><b>002-100</b> Front Suspension, Strut and Cradle</p> 	<p><b>002-200</b> Front Stabilizer Bar</p>		
--	--	--	--

Suspension, Front  
Figure 2-105



ITEM	PART NUMBER	QTY	LINE	SERIES	BODY	ENGINE	TRANS	TRIM	DESCRIPTION
------	-------------	-----	------	--------	------	--------	-------	------	-------------

Sales Codes

[ECN]=2.0L 4 CYL DOHC 16V SMPI  
 [ED3]=2.4L 4 CYL DOHC 16V SMPI  
 [EEE]=2.7L V6 24V FFV  
 [EER]=2.7L V6 24V MPI  
 [EGF]=3.5L V6 HIGH OUTPUT  
 [ECD]=2.0L 4CYL DOHC DIESEL 16V  
 [DGL]=4 SPEED AUTO  
 [DG2]=6 SPEED AUTO

1	05171178AB	2	B, D, E		49				MOUNT, Strut
2	05171093AC	2	B, D, E		49				BEARING, Strut Mount
3	05151024AA	2	B, D, E		49				ISOLATOR, Spring
4	05171132AC	2	B, D, E		49				SHIELD, Shock Absorber Dust
5	05151184AB	2	B, D, E		49				BUMPER, Jounce
6	05085405AB	2	B, D, E		49				ISOLATOR, Spring
7	06505664AA	4	B, D, E		49				BOLT, Serrated, M14X2.00X77.0
8	06508273AA	2	B, D, E		49				NUT AND WASHER, Hex
9	06101992	4	B, D, E		49				BOLT
10	06508884AA	2	B, D, E		49				NUT AND WASHER, Hex
11									ARM, Control
	04766423AA	1	B, D, E		49				Left
	04766424AA	1	B, D, E		49				Right
12	05085914AC	1	B, D, E		49				BALL JOINT, Suspension
13									KNUCKLE, Front
	05171101AB	1	B, D, E		49				Left
	05171102AB	1	B, D, E		49				Right
14	06508758AA	2	B, D, E		49				SCREW, Hex Head, LWR CONTROL ARM TO CRADLE-RR
15	06508758AA	2	B, D, E		49				SCREW, Hex Head
16									STRUT, Suspension
	68043991AA	1	B, D, E		49				[SDD,SDE], Left
	68039638AA	1	B, D, E		49				[SDC], Right
	68039639AA	1	B, D, E		49				[SDC], Left
	68039640AA	1	B, D		49				[SDD], Right

JOURNEY (JC)

SERIES LINE  
 H = HIGHLINE B = DODGE  
 P = PREMIUM D = DODGE  
 S = SPORT E = DODGE

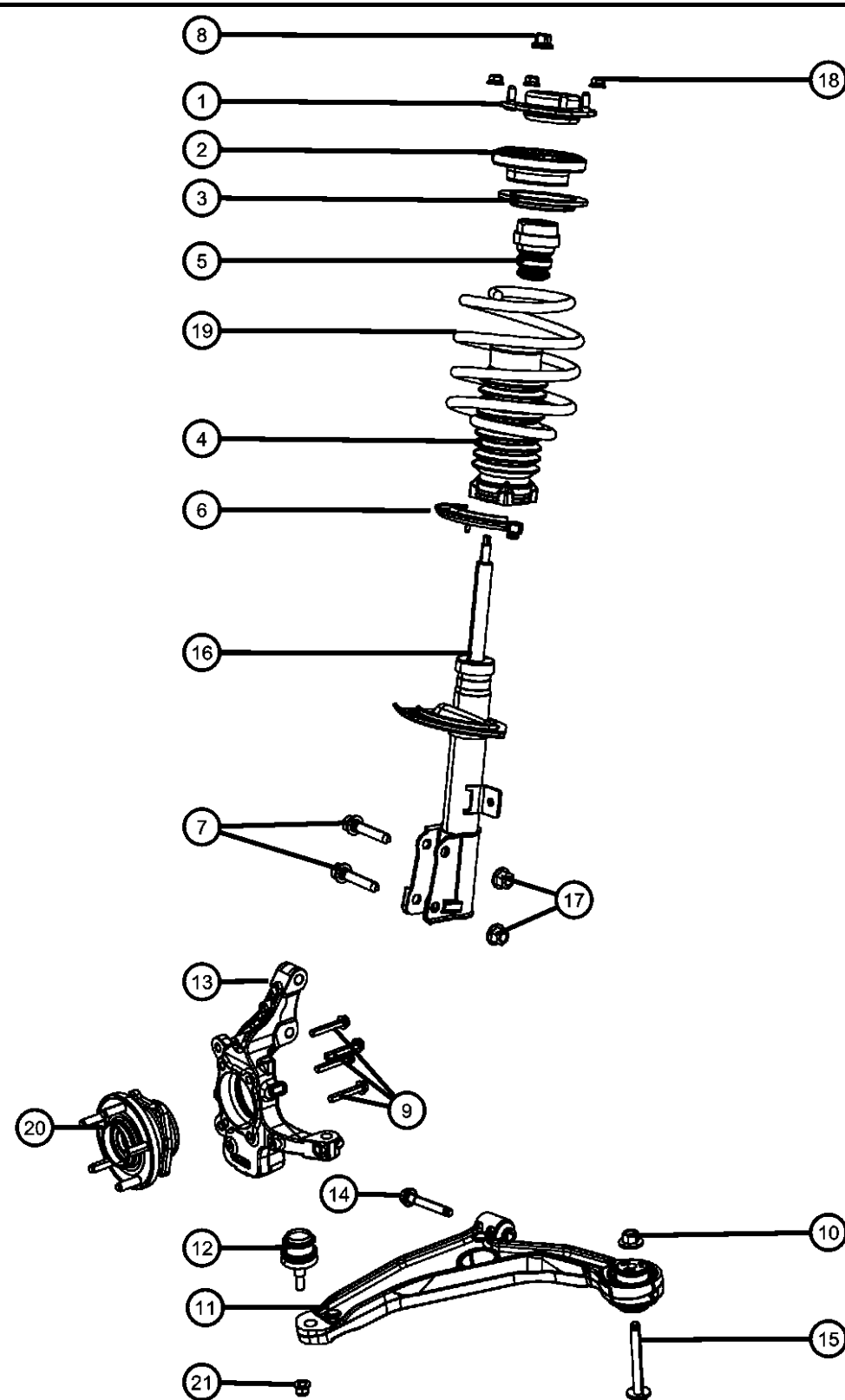
BODY  
 49 = HATCHBACK TYPE #2

ENGINE TRANSMISSION  
 ECE = 2.0L 4 Cyl DOHC DPF Diesel Engine DG2 = 6-Speed Automatic 62TE Transmission  
 ED3 = 2.4L 4 Cyl DOHC 16V Dual VVT Engine DG5 = 6-Spd Auto Getrag MPS6 Transmission  
 EER = 2.7L V6 DOHC 24 Valve MPI Engine DEF = 6-Speed Manual Aisin BG6 Trans  
 EGF = 3.5L High Output V6 24V MPI Engine DD7 = 5-Speed Manual T355 Transmission  
 DFF = 4-Speed Automatic VLP 41TE Trans

AR = use ase required - = Non illustrated part

2009 JC

Suspension, Front  
Figure 2-105



ITEM	PART NUMBER	QTY	LINE	SERIES	BODY	ENGINE	TRANS	TRIM	DESCRIPTION
	68039641AA	1	B, D		49				[SDD], Left
	68039642AA	1	B, D, E		49				[SDF], Right
	68039643AA	1	B, D, E		49				[SDF], Left
	68043990AA	1	B, D, E		49				[SDD,SDE], Right
17	06502698	4	B, D, E		49				NUT, Hex Flange Lock, M14x2.00
18	06503335	6	B, D, E		49				NUT, Hex, M10X1.25
19									SPRING, Suspension
	05151132AB	1	B, D, E		49				[SDF=SDD=SDE+ZUC,ZFC]
	05151130AB	1	B, D, E		49				[SDF=SDD=SDE+ZUA,ZFA]
	05151131AB	1	B, D, E		49				[SDF=SDD=SDE+ZUB,ZFB]
	05151141AB	1	B, D, E		49				[SDF=SDD+ZFE,ZUE]
		1	B, D, E		49				[SDF=SDD=SDE+ZFE,ZUE]
	05151133AB	1	B, D, E		49				[SDF=SDD=SDE+ZUD,ZFD]
	05151141AA	1	B, D, E		49				[SDA=SDF=SDD+ZAA,ZNA]
	05151143AB	1	B, D, E		49				[SDF=SDD=SDE+ZFG,ZUG]
	05151144AA	1	B, D, E		49				[SDA=SDF=SDD+ZAD,ZND]
	05151142AA	1	B, D, E		49				[SDA=SDF=SDD+ZAB,ZNB]
	05151142AB	1	B, D, E		49				[SDF=SDD+ZFF,ZUF]
		1	B, D, E		49				[SDF=SDD=SDE+ZFF,ZUF]
	05151143AA	1	B, D, E		49				[SDA=SDF=SDD+ZAC,ZNC]
		1	B, D, E		49				[SDF=SDD+ZFG,ZUG]
	05151145AB	1	B, D, E		49				[SDF=SDD+ZFF,ZUF]
		1	B, D, E		49				[SDF=SDD=SDE+ZFF,ZUF]
	05151146AA	1	B, D, E		49				[SDA=SDF=SDD+ZAF,ZNF]
	05151144AB	1	B, D, E		49				[SDF=SDD+ZFH,ZUH]
		1	B, D, E		49				[SDF=SDD=SDE+ZFH,ZUH]
	05151145AA	1	B, D, E		49				[SDA=SDF=SDD+ZAE,ZNE]
	05151147AB	1	B, D, E		49				[SDF=SDD=SDE+ZFL,ZUL]
	05151148AA	1	B, D, E		49				[SDA=SDF=SDD+ZNH,ZAH]
	05151146AB	1	B, D, E		49				[SDF=SDD+ZFK,ZUK]
		1	B, D, E		49				[SDF=SDD=SDE+ZFK,ZUK]

JOURNEY (JC)

SERIES      LINE  
 H = HIGHLINE    B = DODGE  
 P = PREMIUM    D = DODGE  
 S = SPORT        E = DODGE

BODY  
 49 = HATCHBACK TYPE #2

ENGINE  
 ECE = 2.0L 4 Cyl DOHC DPF Diesel Engine  
 ED3 = 2.4L 4 Cyl DOHC 16V Dual VVT Engine  
 EER = 2.7L V6 DOHC 24 Valve MPI Engine  
 EGF = 3.5L High Output V6 24V MPI Engine

TRANSMISSION  
 DG2 = 6-Speed Automatic 62TE Transmission  
 DG5 = 6-Spd Auto Getrag MPS6 Transmission  
 DEF = 6-Speed Manual Aisin BG6 Trans  
 DD7 = 5-Speed Manual T355 Transmission  
 DFF = 4-Speed Automatic VLP 41TE Trans

AR = use ase required - = Non illustrated part