

VIN PLATE DECODING INFORMATION

1	2	3	4	5	6	7	8	9	10	11	12 thru 17
Country	Make	Vehicle Type	Other	Line	Series	Body Style	Engine	Check Digit	Model Year	Assy. Plant	Sequence No.

The following table interprets the VIN Plate position shown above.

Position	Interpretation	Codes = Description
1	Country of Origin	4 = Built in U.S.
2	Assembler	C = Chrysler B = Dodge
3	Vehicle Type	3 = Passenger Car
4	GVWR & Pass. Safety	A = Manual Seat Belts & Driver/Passenger Air Bags E = Restraint System Active Driver and Passenger Air Bag (CGW)
5	Vehicle Line	U = Sebring LX & LXi U = Avenger and Avenger ES J = Cirrus (Mexico)
6	Series	4 = High Line 5 = Premium 6 = Sport
7	Body Style	2 = 2 Door Pillard Hardtop
8	Engine	N = 2.5L V6 SOHC 24V SMPI (EEB)
9	Check Digit	0 = Check Digit 0 = Check Digit
10	Model Year	Y = 2000
11	Assembly Plant	E = Bloomington Assembly (Normal Illinois)
12 thru 17	Vehicle Build Sequence	Model Year Assembly Sequence

Group - 2

Front Suspension & Drive

Group - 2 Front Suspension & Drive

Illustration Title

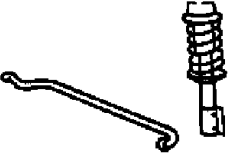
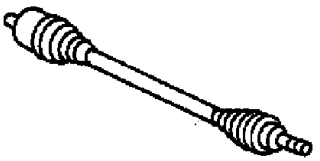
Group-Fig. No.

Front Suspension

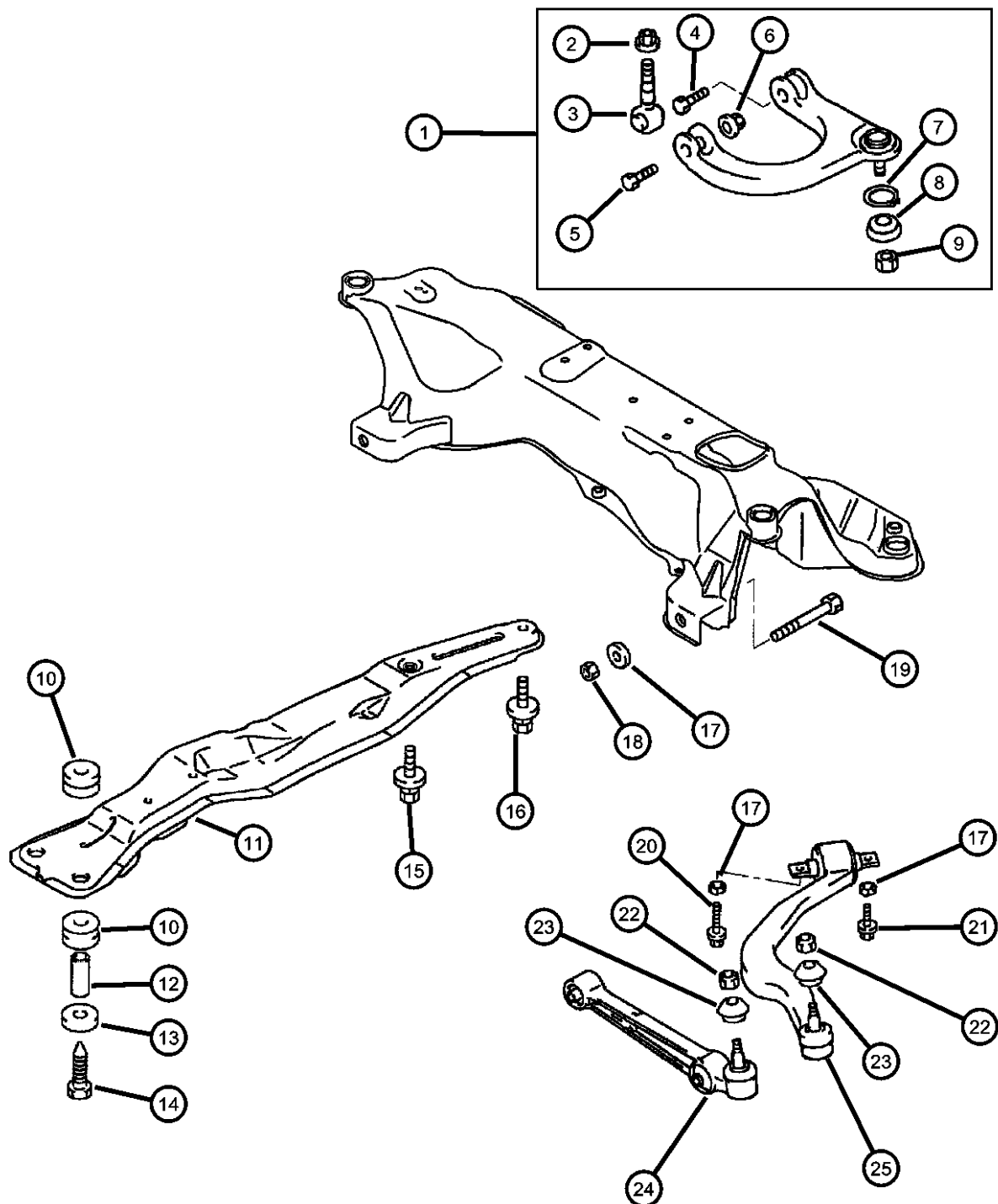
Front Suspension Arm and Related Parts..... Fig. 2 - 110
 Front Suspension Strut and Spring Fig. 2 - 120

Front Axle Drive Shafts

Front Axle Drive Shaft - Left..... Fig. 2 - 210
 Front Axle Drive Shaft - Right Fig. 2 - 215

<p>002-100 Front Suspension</p> 	<p>002-200 Front Axle Drive Shafts</p> 		
--	---	--	--

Front Suspension Arm and Related Parts
Figure 2-110



ITEM	PART NUMBER	QTY	LINE	SERIES	BODY	ENGINE	TRANS	TRIM	DESCRIPTION
EEB=2.5L V6 SOHC 24V SMPI DGL=4-SPD. AUTOMATIC,41TE									
1									ARM, Control
	MR162803	1	C, D		22	EEB	DGL		Upper Left
	MR162804	1	C, D		22	EEB	DGL		Upper Right
2	MB288654	4	C, D		22	EEB	DGL		NUT, Upper Arm
3	MB892320	4	C, D		22	EEB	DGL		ROD, Control Arm
4	MB892027	2	C, D		22	EEB	DGL		BOLT, Suspension Upper Arm
5	MB892027	2	C, D		22	EEB	DGL		BOLT, Suspension Upper Arm
6	MB200979	4	C, D		22	EEB	DGL		NUT, Flange, M10
7	MB808089	2	C, D		22	EEB	DGL		SNAP RING
8	MB808084	2	C, D		22	EEB	DGL		COVER, Control Arm Ball
9	MS440002	2	C, D		22	EEB	DGL		NUT, Rear Suspension
10	MR311113	4	C, D		22	EEB	DGL		BUSHING, Front Axle Crossmember
11	MB910416	1	C, D		22	EEB	DGL		CROSSMEMBER, Front Axle
12	MB303651	2	C, D		22	EEB	DGL		COLLAR, Front Axle Crossmember
13	MB303652	2	C, D		22	EEB	DGL		BUMPER, Jounce
14	MB176061	2	C, D		22	EEB	DGL		BOLT, Hex Flange Head, M12x90
15	MU240025	1	C, D		22	EEB	DGL		BOLT AND WASHER, Front Center Member Mounting, M10x75
16	MU240024	1	C, D		22	EEB	DGL		BOLT AND WASHER, Front Center Member Mounting, M10x45
17	MS450044	6	C, D		22	EEB	DGL		WASHER, Spring, M12
18	MU430003	2	C, D		22	EEB	DGL		NUT, Front Suspension
19	MB242334	2	C, D		22	EEB	DGL		BOLT, M12x135
20	MF101320	2	C, D		22	EEB	DGL		BOLT, Suspension Lower Arm
21	MF101314	2	C, D		22	EEB	DGL		BOLT, Suspension Lower Arm
22	MU432101	4	C, D		22	EEB	DGL		NUT, Lower Arm
23	MB808555	2	C, D		22	EEB	DGL		COVER, Ball Joint
24									ARM, Lateral
	MR296295	1	C, D		22	EEB	DGL		Includes Items 22 and 23, Lower Left
	MR296296	1	C, D		22	EEB	DGL		Includes Items 22 and 23, Lower Right
25									ARM, Control
	MR296289	1	C, D		22	EEB	DGL		[H, P, Series] Includes Items 22 and 23, Lower Left

AVENGER, AVENGER ES (FWD), SEBRING LX, LXI (FWD), TALON ESI, TSI TURBO (FWD), TALON TSI (AWD) (FJ)

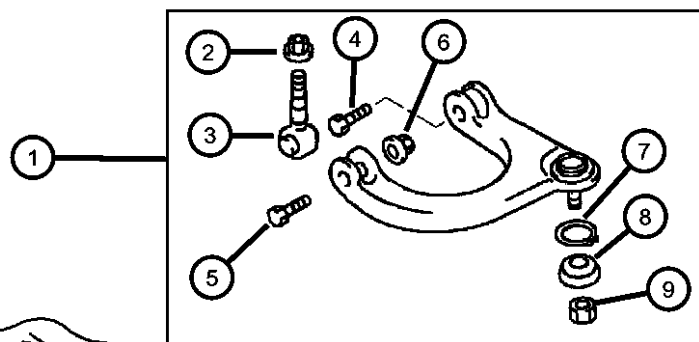
SERIES	LINE	BODY	ENGINE	TRANSMISSION
H = HIGHLINE	D = AVENGER	22 = 2 DOOR FWD	EEB = ENGINE - 2.5L V6 SOHC 24V SMPI	DGL = TRANSMISSION - 4-SPD. AUTOMATIC, 41TE
P = PREMIUM	C = SEBRING			DGO = ALL AUTOMATIC TRANSMISSIONS
S = SPORT	C = CIRRUS			

AR = use ase required - = Non illustrated part

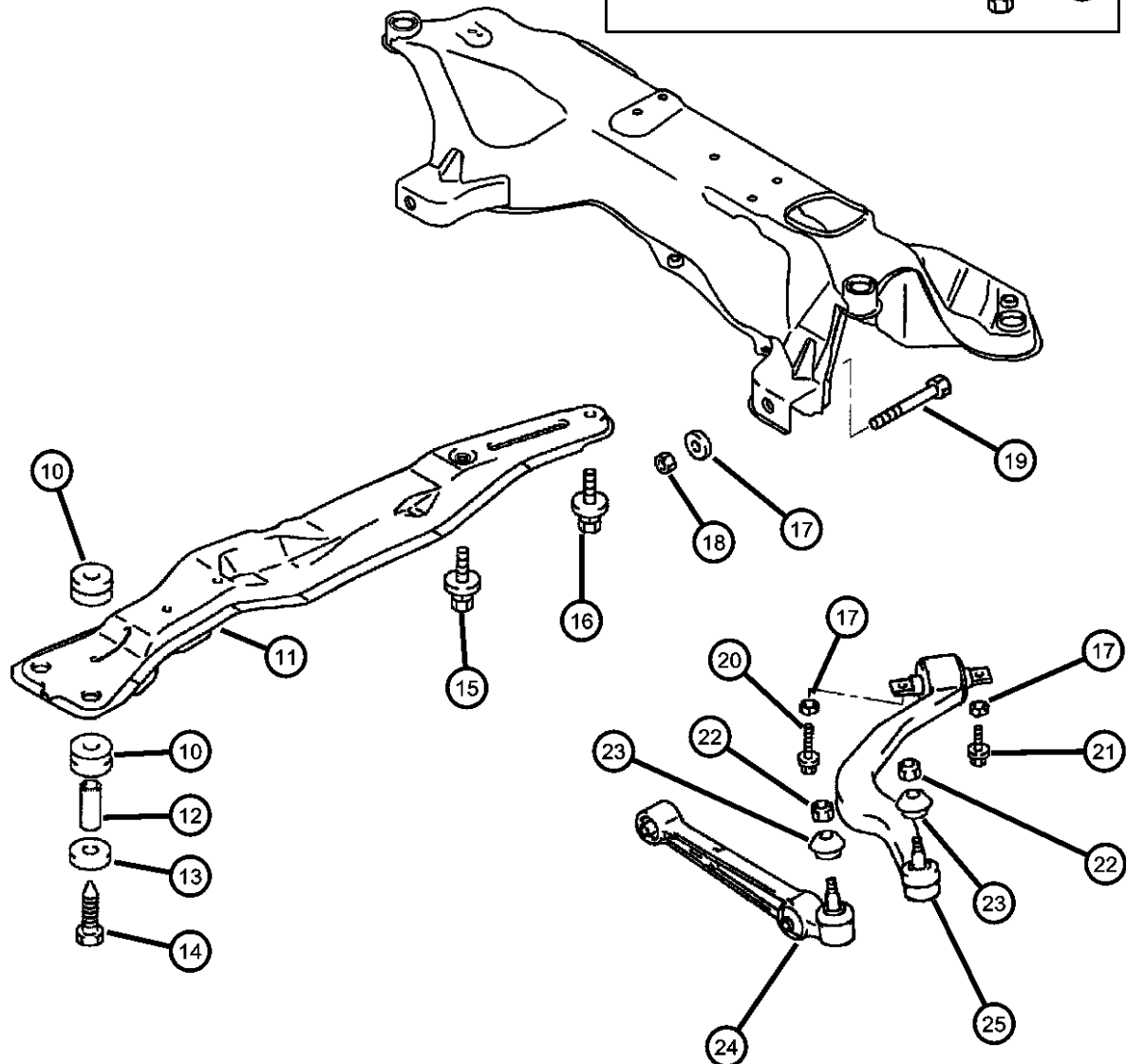
Front Suspension Arm and Related Parts

Figure 2-110

ITEM	PART NUMBER	QTY	LINE	SERIES	BODY	ENGINE	TRANS	TRIM	DESCRIPTION
------	-------------	-----	------	--------	------	--------	-------	------	-------------



	MR296290	1	C, D		22	EEB	DGL		(H Series) Includes Items 22 and 23, Lower Right
	MR296320	1	C, D		22	EEB	DGL		(P Series) Includes Items 22 and 23, Lower Right

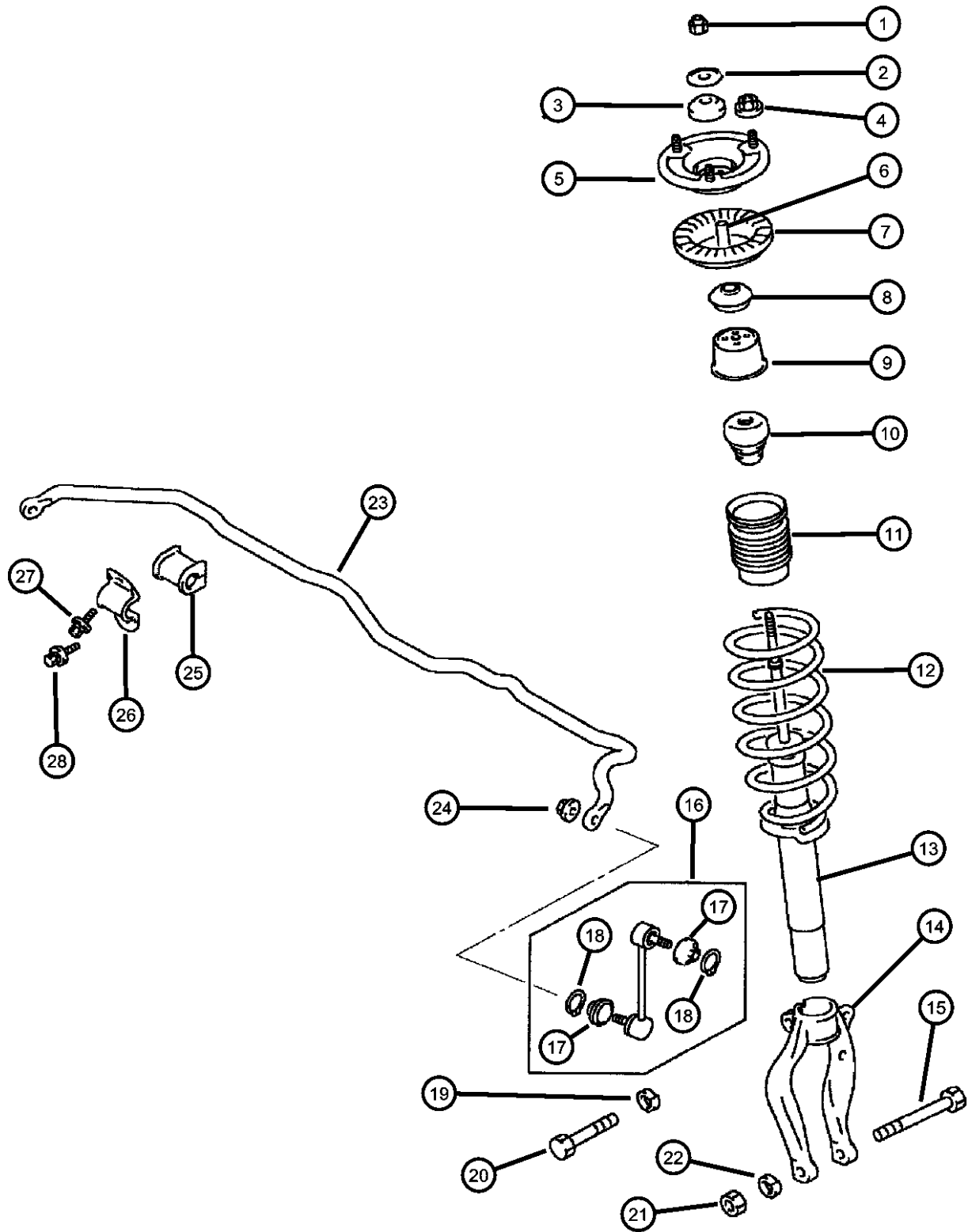


AVENGER, AVENGER ES (FWD), SEBRING LX, LXI (FWD), TALON ESI, TSI TURBO (FWD), TALON TSI (AWD) (FJ)

SERIES	LINE	BODY	ENGINE	TRANSMISSION
H = HIGHLINE	D = AVENGER	22 = 2 DOOR FWD	EEB = ENGINE - 2.5L V6 SOHC 24V SMPI	DGL = TRANSMISSION - 4-SPD. AUTOMATIC, 41TE
P = PREMIUM	C = SEBRING			DGO = ALL AUTOMATIC TRANSMISSIONS
S = SPORT	C = CIRRUS			

AR = use ase required - = Non illustrated part

Front Suspension Strut and Spring
Figure 2-120



ITEM	PART NUMBER	QTY	LINE	SERIES	BODY	ENGINE	TRANS	TRIM	DESCRIPTION
EEB=2.5L V6 SOHC 24V SMPI DGL=4-SPD. AUTOMATIC,41TE									
1	MS440002	2	C, D		22	EEB	DGL		NUT, Rear Suspension
2	MB910887	2	C, D		22	EEB	DGL		WASHER, M10.2
3	MB910802	2	C, D		22	EEB	DGL		BUSHING, Coil Spring
4	MF434105	6	C, D		22	EEB	DGL		NUT, Rear Suspension
5	MR103156	2	C, D		22	EEB	DGL		ISOLATOR, Spring
6	MB871748	2	C, D		22	EEB	DGL		COLLAR, Rear Spring
7	MB864798	2	C, D		22	EEB	DGL		ISOLATOR, Spring
8	MB338618	2	C, D		22	EEB	DGL		BUSHING, Spring
9	MB338614	2	C, D		22	EEB	DGL		CUP, Shock Absorber
10									DAMPER, Shock Absorber
	MB242352	2	C, D		22	EEB	DGL		(High Line)
	MB949043	2	C, D		22	EEB	DGL		(Premium Line)
11	MB864911	2	C, D		22	EEB	DGL		COVER, Suspension Strut
12	MB910507	2	C, D		22	EEB	DGL		SPRING, Front Coil, (Orange/Blue)
13									SHOCK ABSORBER, Suspension
	MB910496	2	C, D		22	EEB	DGL		(High Line)
	OSG81698								Mopar V-Line Alternative Part
	MR223778	2	C, D		22	EEB	DGL		(Premium Line)
	OSG81698								Mopar V-Line Alternative Part
14									FORK, Shock
	MR316443	1	C, D		22	EEB	DGL		Left
	MR316444	1	C, D		22	EEB	DGL		Right
15	MB871888	2	C, D		22	EEB	DGL		BOLT, Suspension Coil Spring
16	MB892981	2	C, D		22	EEB	DGL		LINK, Sway Eliminator
17	MB518785	4	C, D		22	EEB	DGL		COVER, Stabilizer Link Ball
18	MB892989	4	C, D		22	EEB	DGL		RING, Stabilizer Link Cover
19	MS450993	2	C, D		22	EEB	DGL		WASHER, Spring, M12
20	MB109179	2	C, D		22	EEB	DGL		BOLT, Suspension Coil Spring
21	MF430123	2	C, D		22	EEB	DGL		NUT, Front Suspension
22	MS450044	2	C, D		22	EEB	DGL		WASHER, Spring, M12
23									BAR, Front Sway
	MB871885	1	C, D		22	EEB	DGL		(Premium Line)
	MB910391	1	C, D		22	EEB	DGL		(High Line)

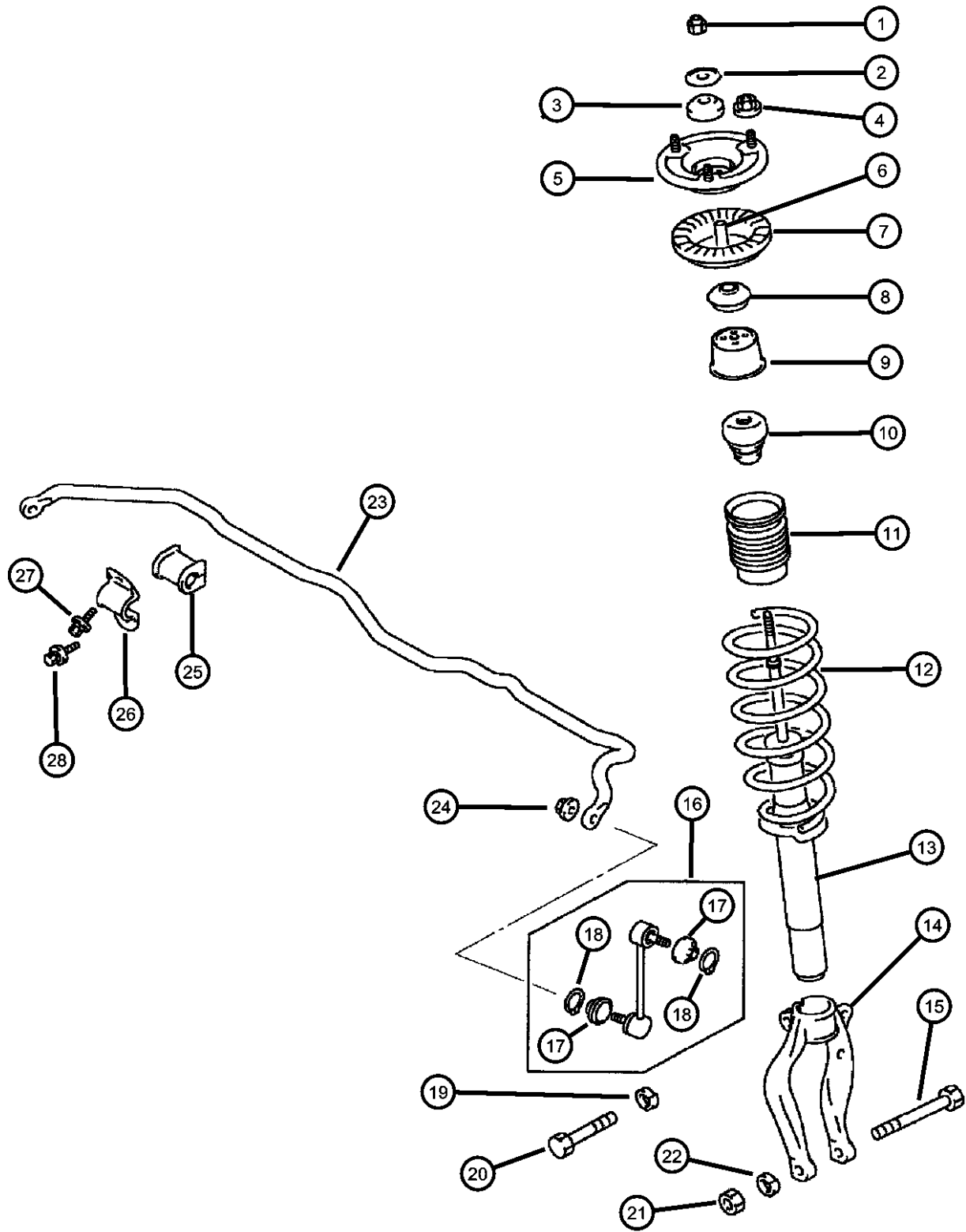
AVENGER,AVENGER ES (FWD),SEBRING LX,LXI (FWD),TALON ESI,TSI TURBO (FWD),TALON TSI (AWD) (FJ)

SERIES	LINE	BODY	ENGINE	TRANSMISSION
H = HIGHLINE	D = AVENGER	22 = 2 DOOR FWD	EEB = ENGINE - 2.5L V6 SOHC 24V SMPI	DGL = TRANSMISSION - 4-SPD. AUTOMATIC,41TE
P = PREMIUM	C = SEBRING			DGO = ALL AUTOMATIC TRANSMISSIONS
S = SPORT	C = CIRRUS			

AR = use ase required - = Non illustrated part

2000 FJ

Front Suspension Strut and Spring
Figure 2-120



ITEM	PART NUMBER	QTY	LINE	SERIES	BODY	ENGINE	TRANS	TRIM	DESCRIPTION
24	MS440504	4	C, D		22	EEB	DGL		NUT
25									BUSHING, Stabilizer Bar
	MR297498	2	C, D		22	EEB	DGL		(High Line)
	MR297501	2	C, D		22	EEB	DGL		(Premium Line)
26	MB808575	2	C, D		22	EEB	DGL		BRACKET, Stabilizer Bar
27	MF241279	2	C, D		22	EEB	DGL		BOLT AND WASHER, M10x18
28	MF241279	2	C, D		22	EEB	DGL		BOLT AND WASHER, M10x18

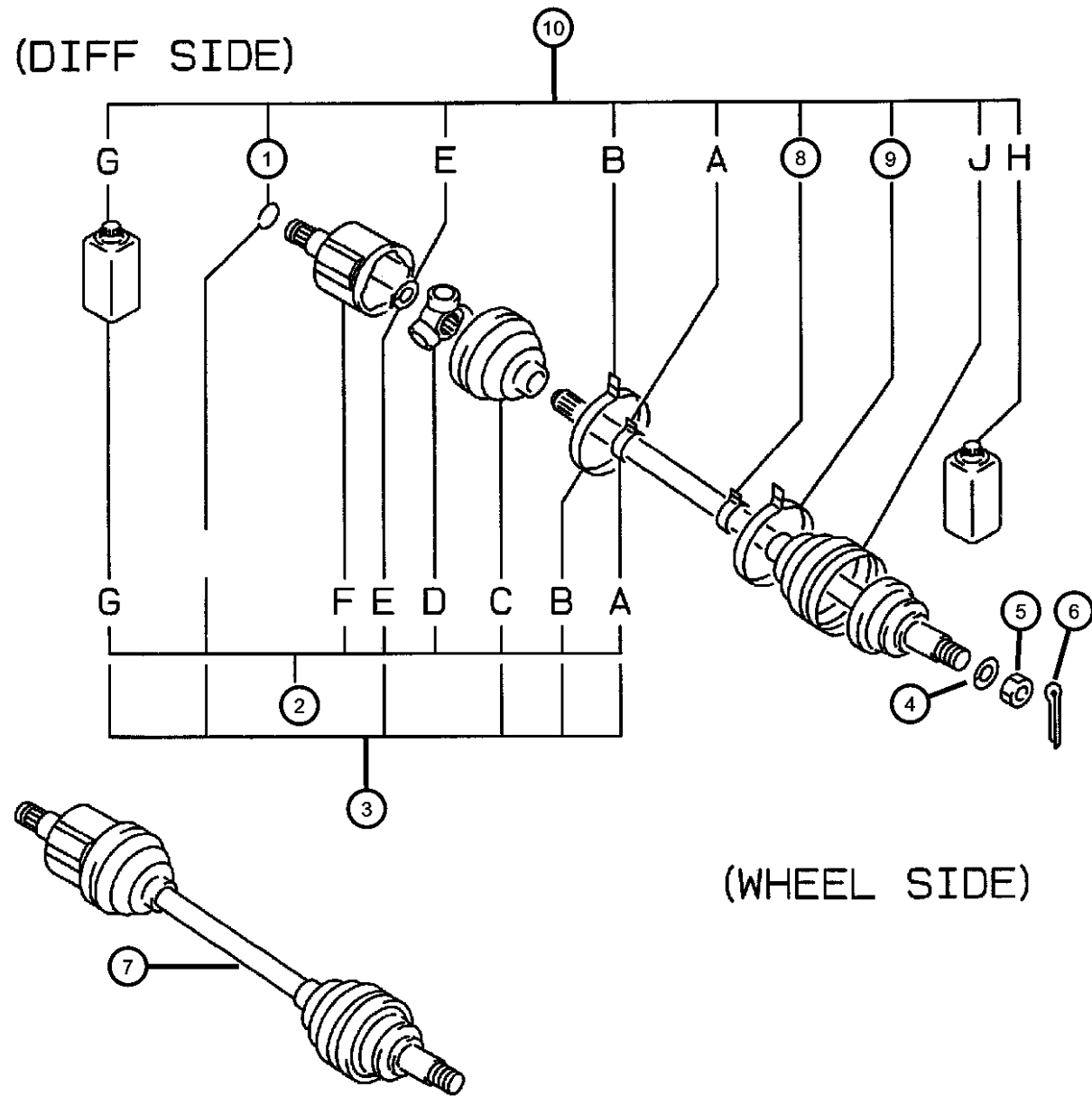
AVENGER, AVENGER ES (FWD), SEBRING LX, LXI (FWD), TALON ESI, TSI TURBO (FWD), TALON TSI (AWD) (FJ)

SERIES	LINE	BODY	ENGINE	TRANSMISSION
H = HIGHLINE	D = AVENGER	22 = 2 DOOR FWD	EEB = ENGINE - 2.5L V6 SOHC 24V SMPI	DGL = TRANSMISSION - 4-SPD. AUTOMATIC, 41TE
P = PREMIUM	C = SEBRING			DGO = ALL AUTOMATIC TRANSMISSIONS
S = SPORT	C = CIRRUS			

AR = use ase required - = Non illustrated part

2000 FJ

Front Axle Drive Shaft - Left
Figure 2-210



ITEM	PART NUMBER	QTY	LINE	SERIES	BODY	ENGINE	TRANS	TRIM	DESCRIPTION
EEB=2.5L V6 SOHC 24V SMPI DGL=4-SPD. AUTOMATIC,41TE									
1	MR195574	1	C, D		22	EEB	DGL		CLIP, CV Joint
2	MR446046	1	C, D		22	EEB	DGL		JOINT KIT, W/Shaft Front Axle
3	MR446049	1	C, D		22	EEB	DGL		BOOT KIT, Inner CV Joint
4	MB109025	2	C, D		22	EEB	DGL		WASHER, Lock, M22.4
5	MB109029	2	C, D		22	EEB	DGL		NUT, Front Suspension
6	MF472087	2	C, D		22	EEB	DGL		PIN, Cotter, 4x40
7									SHAFT, Front Axle
	MR430483	1	C, D		22	EEB	DGL		U.S./California/Canada, Without ABS
	MR430485	1	C, D		22	EEB	DGL		ALL With ABS and Mexico without ABS,
8	MR453026	2	C, D		22	EEB	DGL		CLAMP, CV Joint Boot
9	MR453025	2	C, D		22	EEB	DGL		CLAMP, CV Joint Boot
10	MR446052	1	C, D		22	EEB	DGL		BOOT KIT, Inner CV Joint

KEY MARK	PARTS NAME	KEY MARK	PARTS NAME
A	BAND, BOOT	F	TJ ASSY
B	BAND, BOOT	G	GREASE PACKAGE
C	BOOT (TJ)	H	GREASE PACKAGE
D	SPIDER ASSY	J	BOOT (BJ)
E	RING, SNAP		

NOTE: ABOVE PARTS WITH KEY MARKS MUST BE SUPPLIED IN KIT.

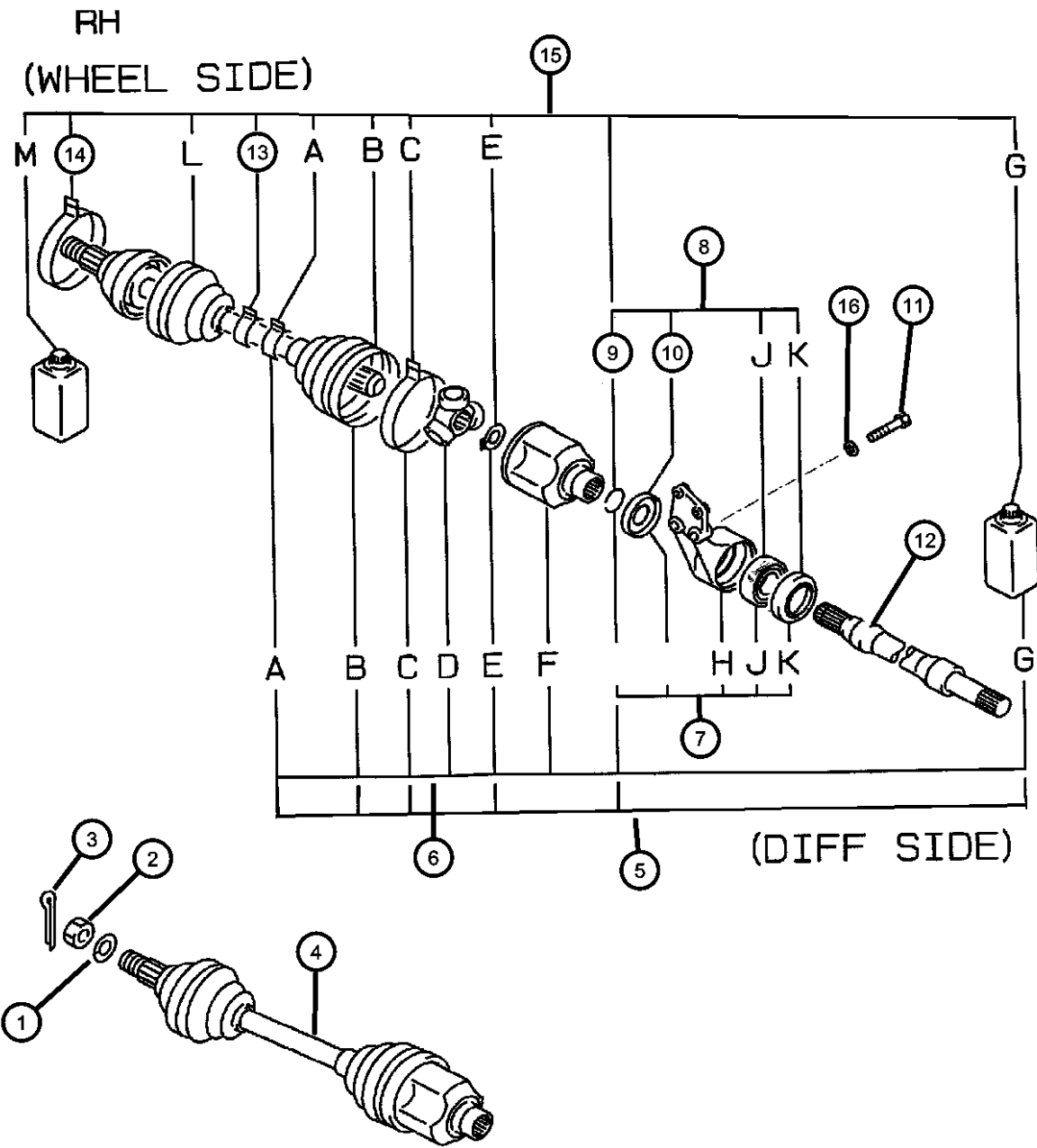
AVENGER, AVENGER ES (FWD), SEBRING LX, LXI (FWD), TALON ESI, TSI TURBO (FWD), TALON TSI (AWD) (FJ)

SERIES	LINE	BODY	ENGINE	TRANSMISSION
H = HIGHLINE	D = AVENGER	22 = 2 DOOR FWD	EEB = ENGINE - 2.5L V6 SOHC 24V SMPI	DGL = TRANSMISSION - 4-SPD. AUTOMATIC, 41TE
P = PREMIUM	C = SEBRING			DGO = ALL AUTOMATIC TRANSMISSIONS
S = SPORT	C = CIRRUS			

AR = use ase required - = Non illustrated part

2000 FJ

Front Axle Drive Shaft - Right
Figure 2-215



KEY MARK	PARTS NAME	KEY MARK	PARTS NAME
A	BAND, BOOT	G	GREASE PACKAGE
B	BOOT (TJ)	H	BRACKET, SHAFT
C	BAND, BOOT	J	BEARING
D	SPIDER ASSY	K	SEAL, DUST
E	SNAP RING	L	BOOT (BJ)
F	TJ ASSY	M	GREASE PACKAGE

NOTE: ABOVE PARTS WITH KEY MARKS MUST BE SUPPLIED IN KIT.

ITEM	PART NUMBER	QTY	LINE	SERIES	BODY	ENGINE	TRANS	TRIM	DESCRIPTION
EEB=2.5L V6 SOHC 24V SMPI DGL=4-SPD. AUTOMATIC,41TE									
1	MB109025	2	C, D		22	EEB	DGL		WASHER, Lock, M22.4
2	MB109029	2	C, D		22	EEB	DGL		NUT, Front Suspension
3	MF472087	2	C, D		22	EEB	DGL		PIN, Cotter, 4x40
4									SHAFT, Front Axle
	MR430482	1	C, D		22	EEB	DGL		California Only, Without ABS
	MR430484	1	C, D		22	EEB	DGL		, Without ABS
	MR430486	1	C, D		22	EEB	DGL		US/Canada With ABS and Mexico Without ABS
	MR430488	1	C, D		22	EEB	DGL		California With ABS
5	MR446049	1	C, D		22	EEB	DGL		BOOT KIT, Inner CV Joint
6									JOINT KIT, W/Shaft Front Axle
	MR446045	1	C, D		22	EEB	DGL		U.S./Canada/Mexico
	MR446209	1	C, D		22	EEB	DGL		California
7									BRACKET, Front Axle Shaft
	MR176781	1	C, D		22	EEB	DGL		U.S./Canada/Mexico
	MR388566	1	C, D		22	EEB	DGL		California
8									BEARING, Axle Shaft
	MB526956	1	C, D		22	EEB	DGL		U.S./Canada/Mexico
	MR388567	1	C, D		22	EEB	DGL		California
9	MB526340	1	C, D		22	EEB	DGL		CLIP, CV Joint
10									SEAL, Axle Drive Shaft
	MB526535	1	C, D		22	EEB	DGL		U.S./Canada/Mexico
	MB526680	1	C, D		22	EEB	DGL		California
11	MR111026	2	C, D		22	EEB	DGL		BOLT, Front Axle
12									SHAFT, Axle
	MB936685	1	C, D		22	EEB	DGL		U.S./Canada/Mexico
	MR350063	1	C, D		22	EEB	DGL		California
13	MR453026	2	C, D		22	EEB	DGL		CLAMP, CV Joint Boot
14	MR453025	2	C, D		22	EEB	DGL		CLAMP, CV Joint Boot
15	MR446052	1	C, D		22	EEB	DGL		BOOT KIT, Inner CV Joint
16	MF450406	2	C, D		22	EEB	DGL		WASHER, Spring, M10

AVENGER, AVENGER ES (FWD), SEBRING LX, LXI (FWD), TALON ESI, TSI TURBO (FWD), TALON TSI (AWD) (FJ)

SERIES	LINE	BODY	ENGINE	TRANSMISSION
H = HIGHLINE	D = AVENGER	22 = 2 DOOR FWD	EEB = ENGINE - 2.5L V6 SOHC 24V SMPI	DGL = TRANSMISSION - 4-SPD. AUTOMATIC, 41TE
P = PREMIUM	C = SEBRING			DGO = ALL AUTOMATIC TRANSMISSIONS
S = SPORT	C = CIRRUS			

AR = use ase required - = Non illustrated part

2000 FJ

Group - 4

Parking Brake

Group - 4 Parking Brake

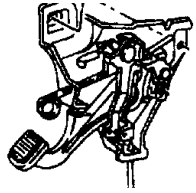
Group-Fig. No.

Illustration Title

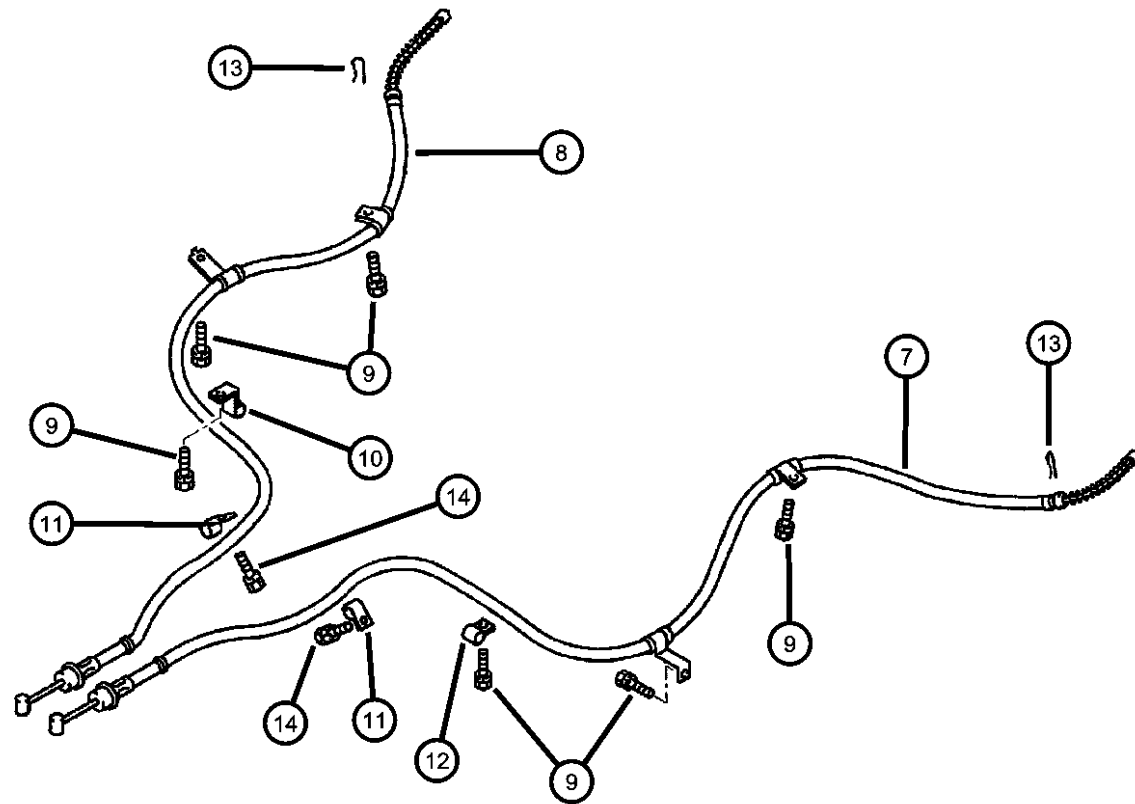
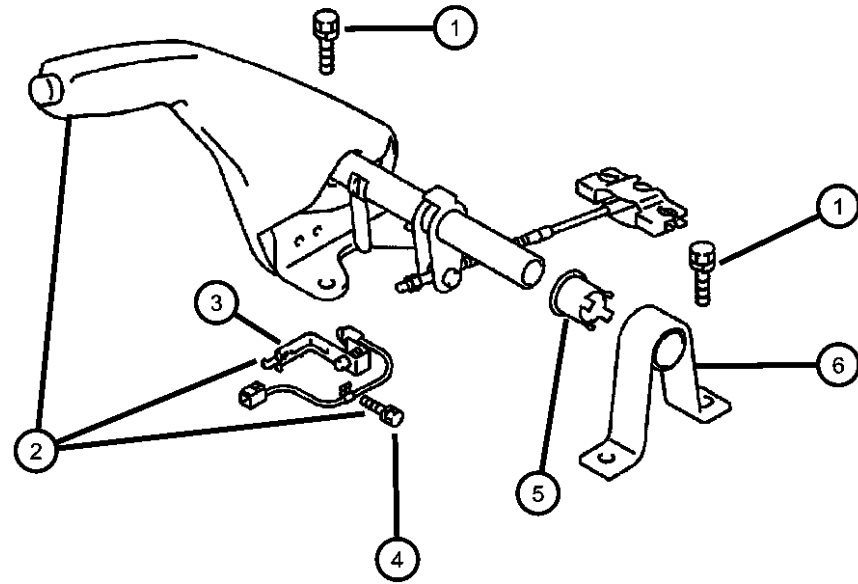
Parking Brake Lever and Cables

Parking Brake Lever and Cables..... Fig. 4 - 110

004-100
Parking Brake Lever and Cables



Parking Brake Lever and Cables
Figure 4-110



ITEM	PART NUMBER	QTY	LINE	SERIES	BODY	ENGINE	TRANS	TRIM	DESCRIPTION
1	MS240085	4	C, D		22				BOLT AND WASHER, M8x20
2	MR719484	1	C, D		22				LEVER, Park Brake
3	MR307075	1	C, D		22				SWITCH, Parking Brake
4	MF240002	1	C, D		22				BOLT AND WASHER, Parking Brake Switch Mounting, M5x15
5	MB140139	1	C, D		22				BUSHING, Parking Brake Lever
6	MB895418	1	C, D		22				STAY, Parking Brake Lever
7	MR128339	1	C, D		22				CABLE, Parking BrakeLeft
8	MR205956	1	C, D		22				CABLE, Parking BrakeRight
9	MF240051	6	C, D		22				BOLT AND WASHER, M8x16
10	MB857981	1	C, D		22				CLIP, Parking Brake Cable
11	MB256589	2	C, D		22				CLAMP, Parking Brake Cable
12	MB256789	1	C, D		22				CLIP, Parking Brake Cable
13	MB520849	2	C, D		22				CLIP, Parking Brake Cable
14	MF240050	2	C, D		22				BOLT, Hex Flange Head, M8x14

AVENGER, AVENGER ES (FWD), SEBRING LX, LXI (FWD), TALON ESI, TSI TURBO (FWD), TALON TSI (AWD) (FJ)

SERIES	LINE	BODY	ENGINE	TRANSMISSION
H = HIGHLINE	D = AVENGER	22 = 2 DOOR FWD	EEB = ENGINE - 2.5L V6 SOHC 24V SMPI	DGL = TRANSMISSION - 4-SPD. AUTOMATIC, 41TE
P = PREMIUM	C = SEBRING			DGO = ALL AUTOMATIC TRANSMISSIONS
S = SPORT	C = CIRRUS			

AR = use ase required - = Non illustrated part

Group - 5

Service Brakes

Group - 5 Service Brakes

Group-Fig. No.

Illustration Title

Front Brakes

Front Brakes Fig. 5 - 110
 Front Wheel Hub Fig. 5 - 120

Rear Brakes

Rear Brakes Fig. 5 - 210
 Rear Wheel Hub Fig. 5 - 220

Power Brake Booster

Power Brake Booster Fig. 5 - 310

Brake Master Cylinder

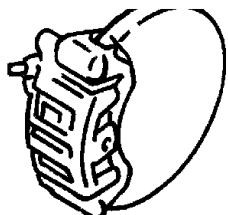
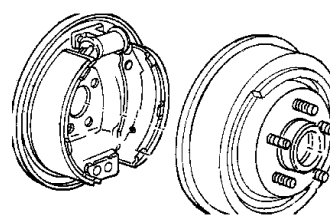
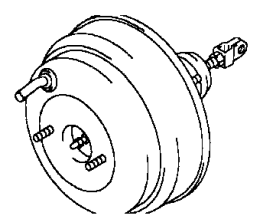
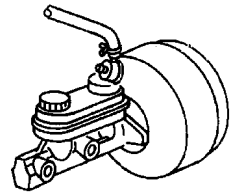
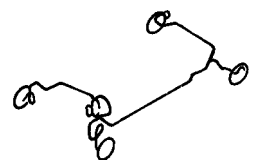

Brake Master Cylinder Fig. 5 - 410
 Hydraulic Unit Fig. 5 - 420

Brake Lines and Hoses

Front Brake Lines w/o ABS Fig. 5 - 510
 Front Brake Lines w/ABS Fig. 5 - 520
 Rear Brake Lines Fig. 5 - 530
 Anti-Skid Brake Sensor Fig. 5 - 540

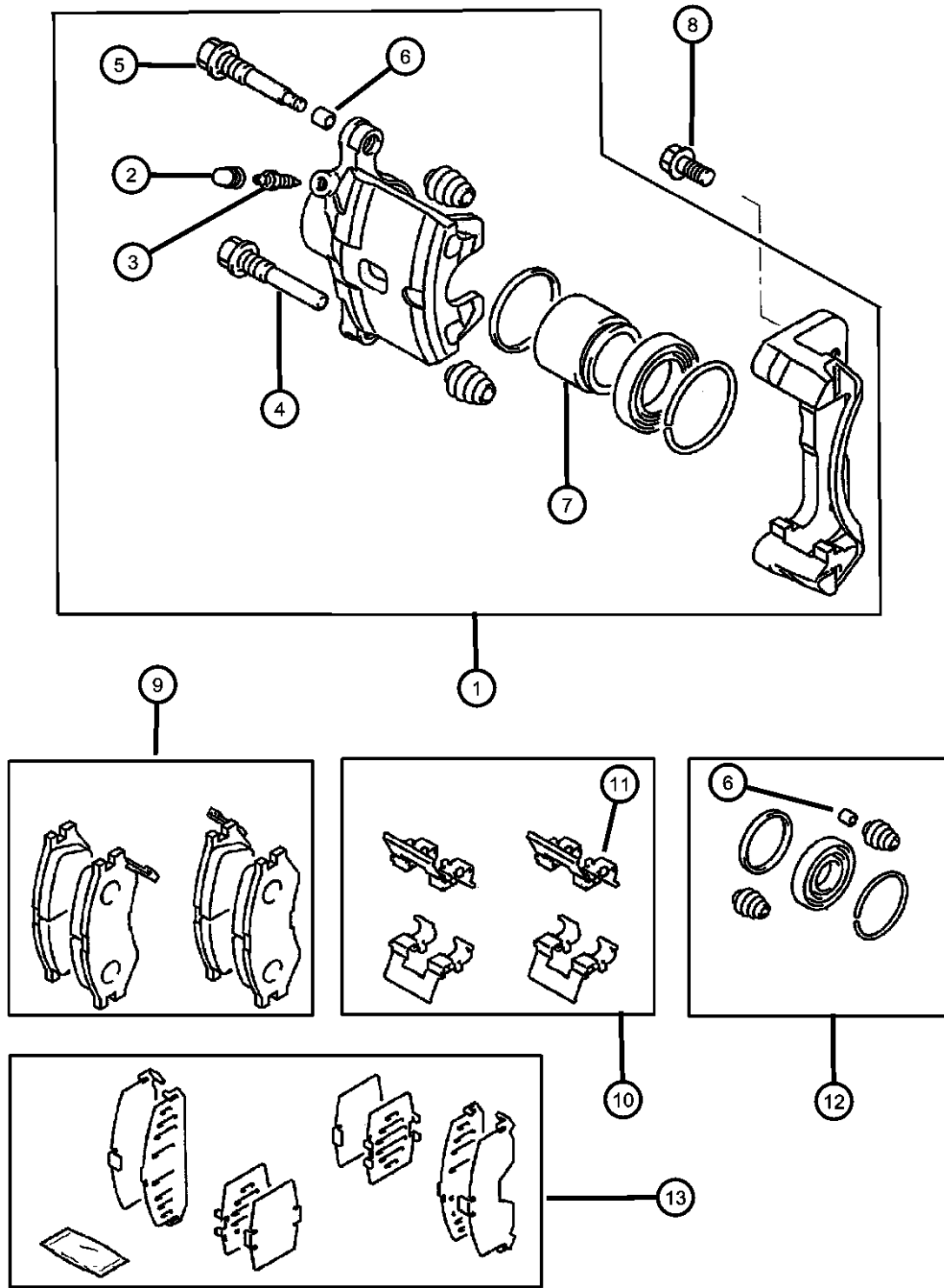
Brake Pedals

Brake Pedal Fig. 5 - 610

<p>005-100 Front Brakes</p> 	<p>005-200 Rear Brakes</p> 	<p>005-300 Power Brake Booster</p> 	<p>005-400 Brake Master Cylinder</p> 
<p>005-500 Brake Lines and Hoses</p> 	<p>005-600 Brake Pedals</p> 		

Front Brakes
Figure 5-110

ITEM	PART NUMBER	QTY	LINE	SERIES	BODY	ENGINE	TRANS	TRIM	DESCRIPTION
1	MB928410	1	C, D		22				CALIPER, Disc Brake Left
	MB928411	1	C, D		22				Right
2	MV026287	2	C, D		22				CAP, Bleeder
3	MR205140	2	C, D		22				BLEEDER SCREW, Brake
4	MB618227	2	C, D		22				PIN, Caliper
5	MB618228	2	C, D		22				PIN, Caliper
6	MB618215	2	C, D		22				BUSHING, Caliper
7	MR128129	2	C, D		22				PISTON, Brake
8	MR205902	4	C, D		22				BOLT, Brake Mounting
9	MR389540	1	C, D		22				PAD KIT, Front Disc Brake
	V3012926								Mopar V-Line Alternative Part Ceramic
	V1013540AB								Mopar V-Line Alternative Part
10	MR389597	1	C, D		22				CLIP, Brake
11	MB699165	4	C, D		22				CLIP, Brake
12	MB699707	2	C, D		22				SEAL KIT, Caliper
13	MR389657	1	C, D		22				SHIM KIT, Brake



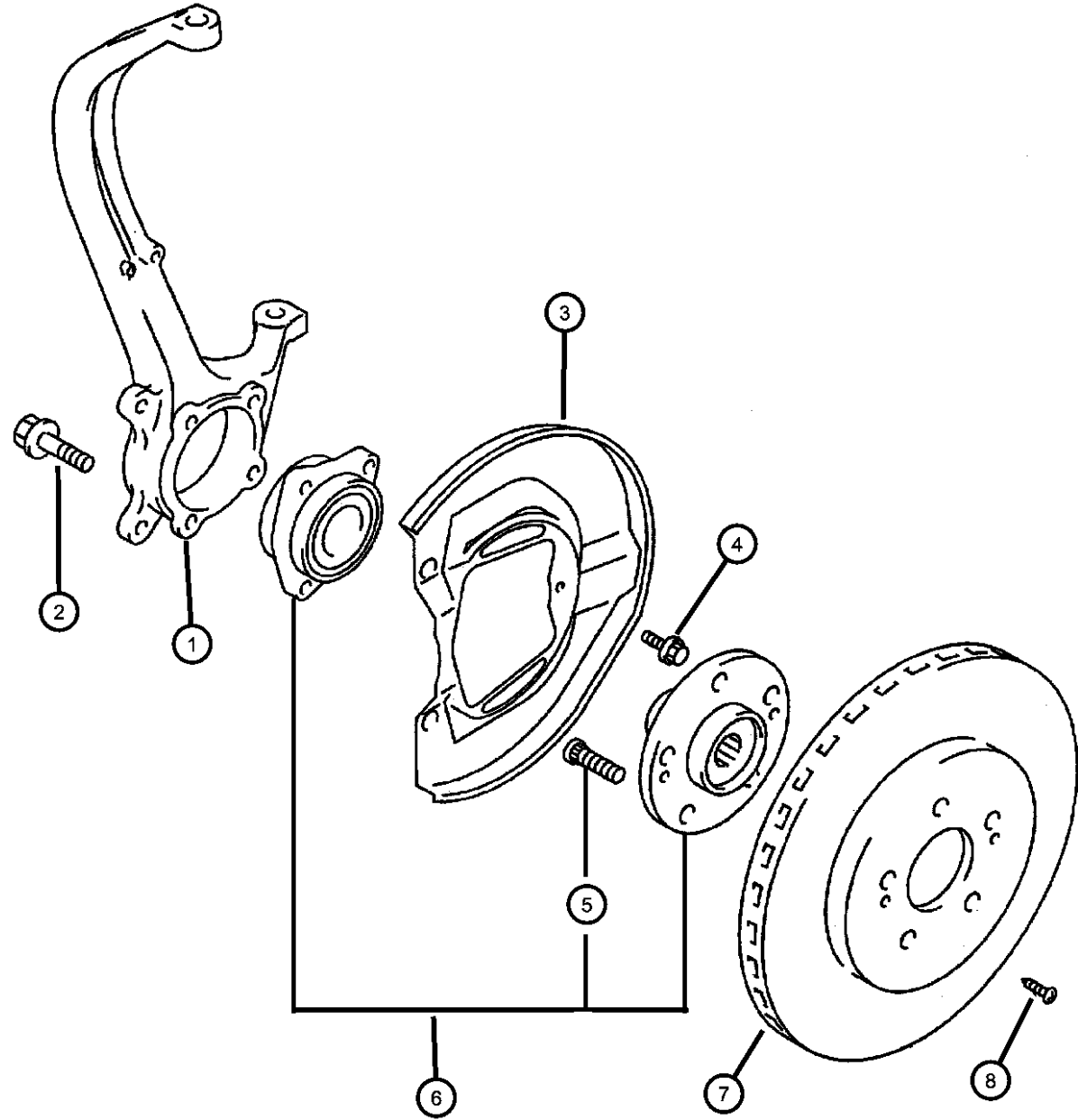
AVENGER, AVENGER ES (FWD), SEBRING LX, LXI (FWD), TALON ESI, TSI TURBO (FWD), TALON TSI (AWD) (FJ)

SERIES	LINE	BODY	ENGINE	TRANSMISSION
H = HIGHLINE	D = AVENGER	22 = 2 DOOR FWD	EEB = ENGINE - 2.5L V6 SOHC 24V SMPI	DGL = TRANSMISSION - 4-SPD. AUTOMATIC, 41TE
P = PREMIUM	C = SEBRING			DGO = ALL AUTOMATIC TRANSMISSIONS
S = SPORT	C = CIRRUS			

AR = use ase required - = Non illustrated part

2000 FJ

Front Wheel Hub
Figure 5-120



ITEM	PART NUMBER	QTY	LINE	SERIES	BODY	ENGINE	TRANS	TRIM	DESCRIPTION
1									KNUCKLE, Front
	MR223626	1	C, D		22				U.S./California/Canada, Left, Without ABS
	MR223627	1	C, D		22				U.S./California/Canada, Right, Without ABS
	MR223628	1	C, D		22				ALL With ABS and Mexico Without ABS, Left
	MR223629	1	C, D		22				ALL With ABS and Mexico Without ABS, Right
2	MU140016	8	C, D		22				BOLT, Wheel Hub
3									SHIELD, Brake
	MB699362	1	C, D		22				ALL With ABS and Mexico Without ABS, Left
	MB699363	1	C, D		22				ALL With ABS and Mexico Without ABS, Right
	MB858840	1	C, D		22				U.S./California/Canada, Left, Without ABS
	MB858841	1	C, D		22				U.S./California/Canada, Right, Without ABS
4	MS240094	2	C, D		22				BOLT, M6x12
5	MB891852	10	C, D		22				STUD, Hub
6	MR403970	2	C, D		22				HUB, Front Wheel
7	MR389724	2	C, D		22				ROTOR, Brake
8	MF201572	4	C, D		22				STUD, Wheel

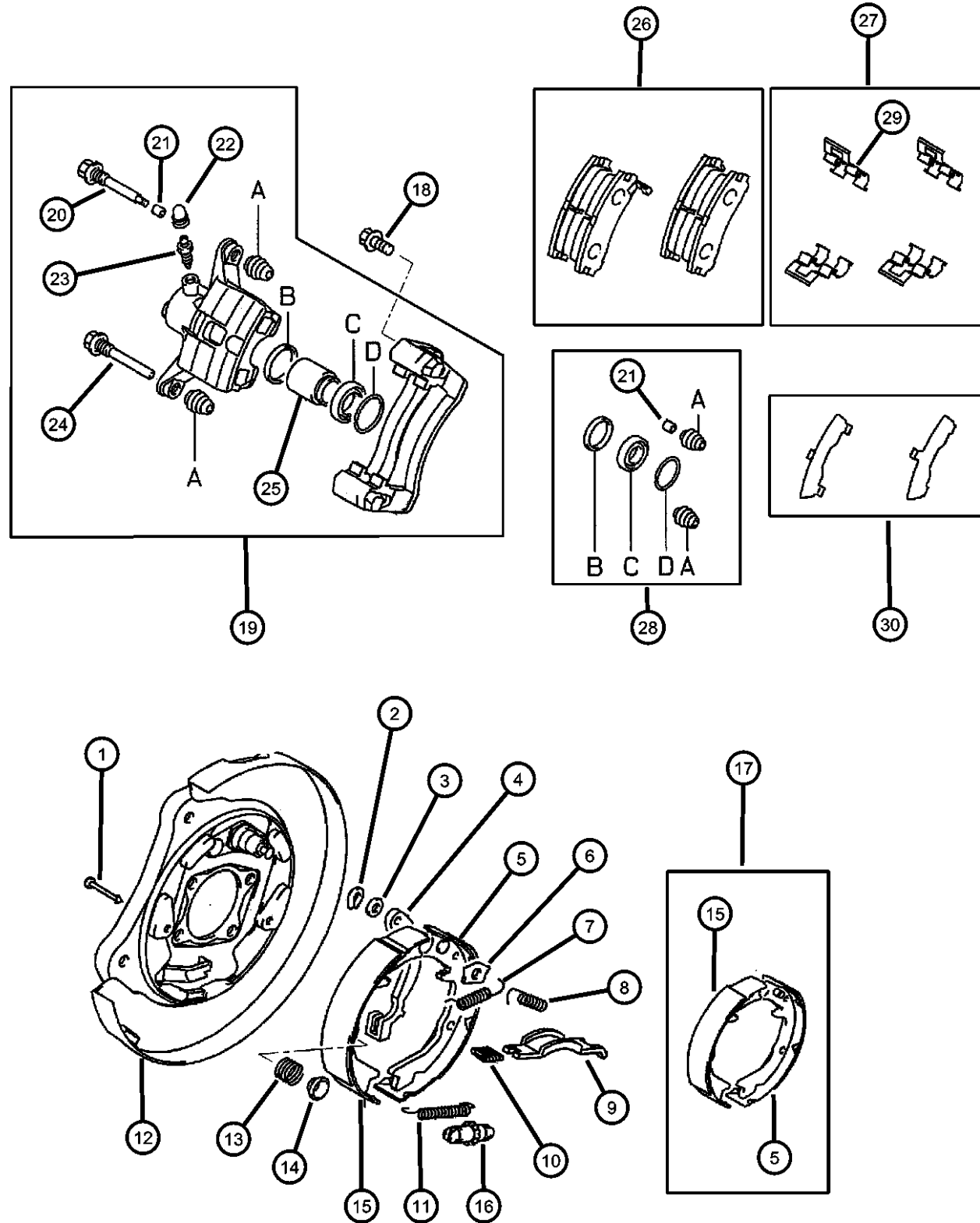
AVENGER, AVENGER ES (FWD), SEBRING LX, LXI (FWD), TALON ESI, TSI TURBO (FWD), TALON TSI (AWD) (FJ)

SERIES	LINE	BODY	ENGINE	TRANSMISSION
H = HIGHLINE	D = AVENGER	22 = 2 DOOR FWD	EEB = ENGINE - 2.5L V6	DGL = TRANSMISSION - 4-SPD.
P = PREMIUM	C = SEBRING		SOHC 24V SMPI	AUTOMATIC, 41TE
S = SPORT	C = CIRRUS			DGO = ALL AUTOMATIC TRANSMISSIONS

AR = use ase required - = Non illustrated part

2000 FJ

Rear Brakes
Figure 5-210



ITEM	PART NUMBER	QTY	LINE	SERIES	BODY	ENGINE	TRANS	TRIM	DESCRIPTION
1	MB520471	4	C, D		22				PIN, Brake Shoe Hold Down
2	MA151648	2	C, D		22				CLIP, Brake Lever To Shoe
3	MA151647	2	C, D		22				WASHER, Wave, M8.4
4									LEVER, Park Brake
5	MB950203	1	C, D		22				Left
	MB950204	1	C, D		22				Right
	MB950205	1	C, D		22				SHOE AND LINING, Parking Brake
	BHKH173570								Left
	MB950206	1	C, D		22				Mopar V-Line Alternative Part All In One Drum Combi Kits
6	MB520472	2	C, D		22				Right
7	MB857298	2	C, D		22				PLATE, Brake Shoe Guide
8	MB857299	2	C, D		22				SPRING, Brake Shoe Return
9									SPRING, Brake Shoe Return
	MB858934	1	C, D		22				STRUT, Parking Brake Lever
	MB858935	1	C, D		22				Left
	MB858935	1	C, D		22				Right
10	MB520465	2	C, D		22				SPRING, Brake Auto Adjuster Lever
11	MB928874	2	C, D		22				SPRING, Brake Auto Adjuster Lever
12									PLATE, Brake Backing
	MB950207	1	C, D		22				Left
	MB950208	1	C, D		22				Right
13	MB520470	4	C, D		22				SPRING, Brake Shoe Hold Down
14	MA111608	4	C, D		22				CUP, Brake Hold Down Spring
15	MB668906	1	C, D		22				SHOE AND LINING, Rear Brake
16	MB520459	1	C, D		22				ADJUSTER, Brake Shoe
17	MB950211	1	C, D		22				SHOE AND LINING PACKAGE, BrakeRight & Left
	BHK17357								Mopar V-Line Alternative Part All In One Drum Combi Kits
18	MR249200	4	C, D		22				BOLT
19									CALIPER, Disc Brake
	MR129583	1	C, D		22				Left
	MR129584	1	C, D		22				Right
20	MB857234	2	C, D		22				BOLT, M12
21	MB699587	2	C, D		22				BUSHING, Caliper

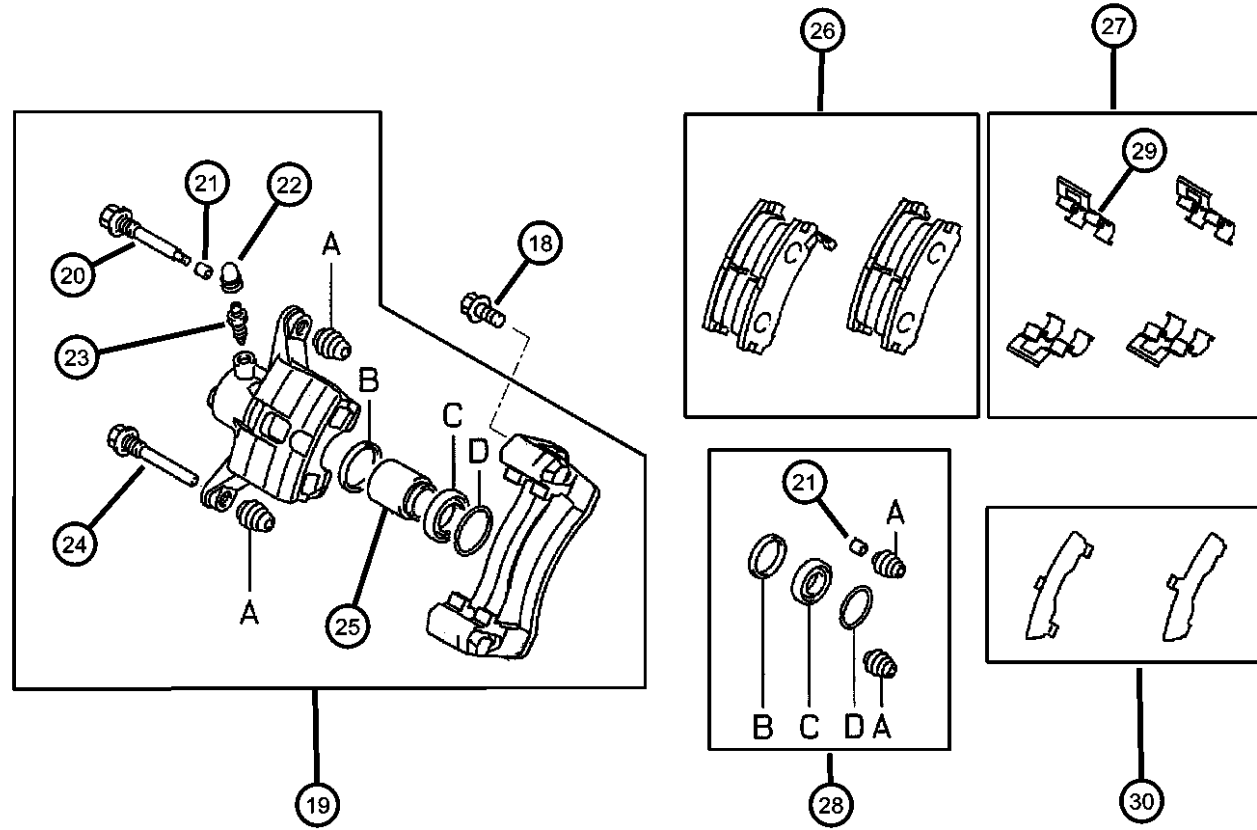
AVENGER, AVENGER ES (FWD), SEBRING LX, LXI (FWD), TALON ESI, TSI TURBO (FWD), TALON TSI (AWD) (FJ)

SERIES	LINE	BODY	ENGINE	TRANSMISSION
H = HIGHLINE	D = AVENGER	22 = 2 DOOR FWD	EEB = ENGINE - 2.5L V6 SOHC 24V SMPI	DGL = TRANSMISSION - 4-SPD. AUTOMATIC, 41TE
P = PREMIUM	C = SEBRING			DGO = ALL AUTOMATIC TRANSMISSIONS
S = SPORT	C = CIRRUS			

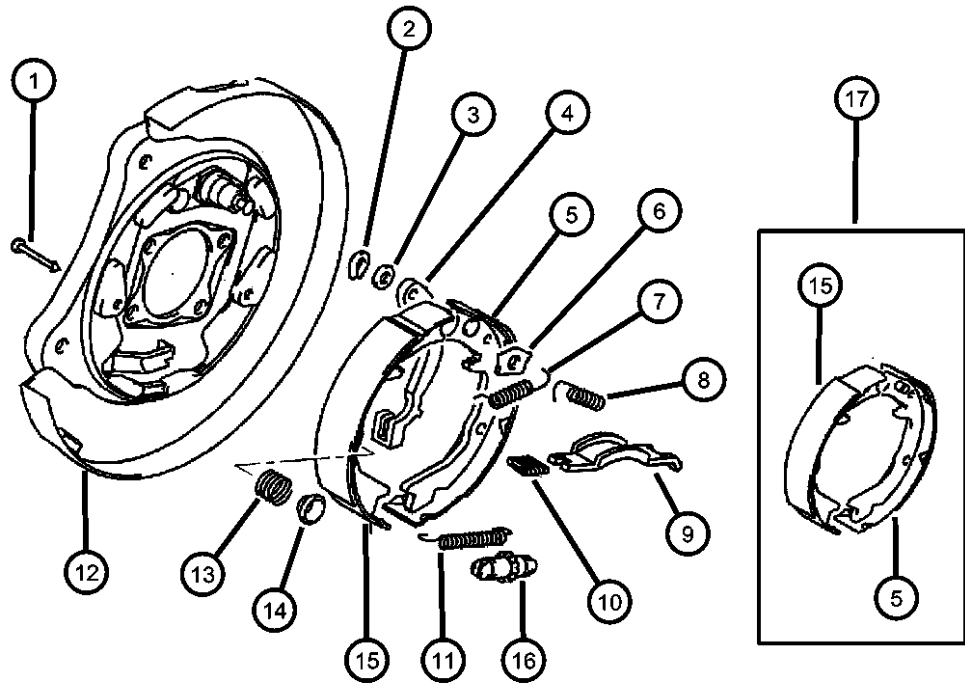
AR = use ase required - = Non illustrated part

2000 FJ

Rear Brakes
Figure 5-210



ITEM	PART NUMBER	QTY	LINE	SERIES	BODY	ENGINE	TRANS	TRIM	DESCRIPTION
22	MV026287	2	C, D		22				CAP, Bleeder
23	MR205140	2	C, D		22				BLEEDER SCREW, Brake
24	MB857233	2	C, D		22				PIN, Caliper
25	MR129591	2	C, D		22				PISTON, Brake
26	MR389580	1	C, D		22				SHOE KIT, Brake
	V2013580								Mopar V-Line Alternative Part
	BHKH5593								Mopar V-Line Alternative Part
	BHKH5066								Disc Hardware
									Mopar V-Line Alternative Part
									Caliper Bolts
27	MR389621	1	C, D		22				CLIP, Brake
28	MR129588	2	C, D		22				SEAL PACKAGE, Brake Caliper
29	MB857232	4	C, D		22				CLIP, Brake Line
30	MR389682	1	C, D		22				SHIM KIT, Brake, Rear

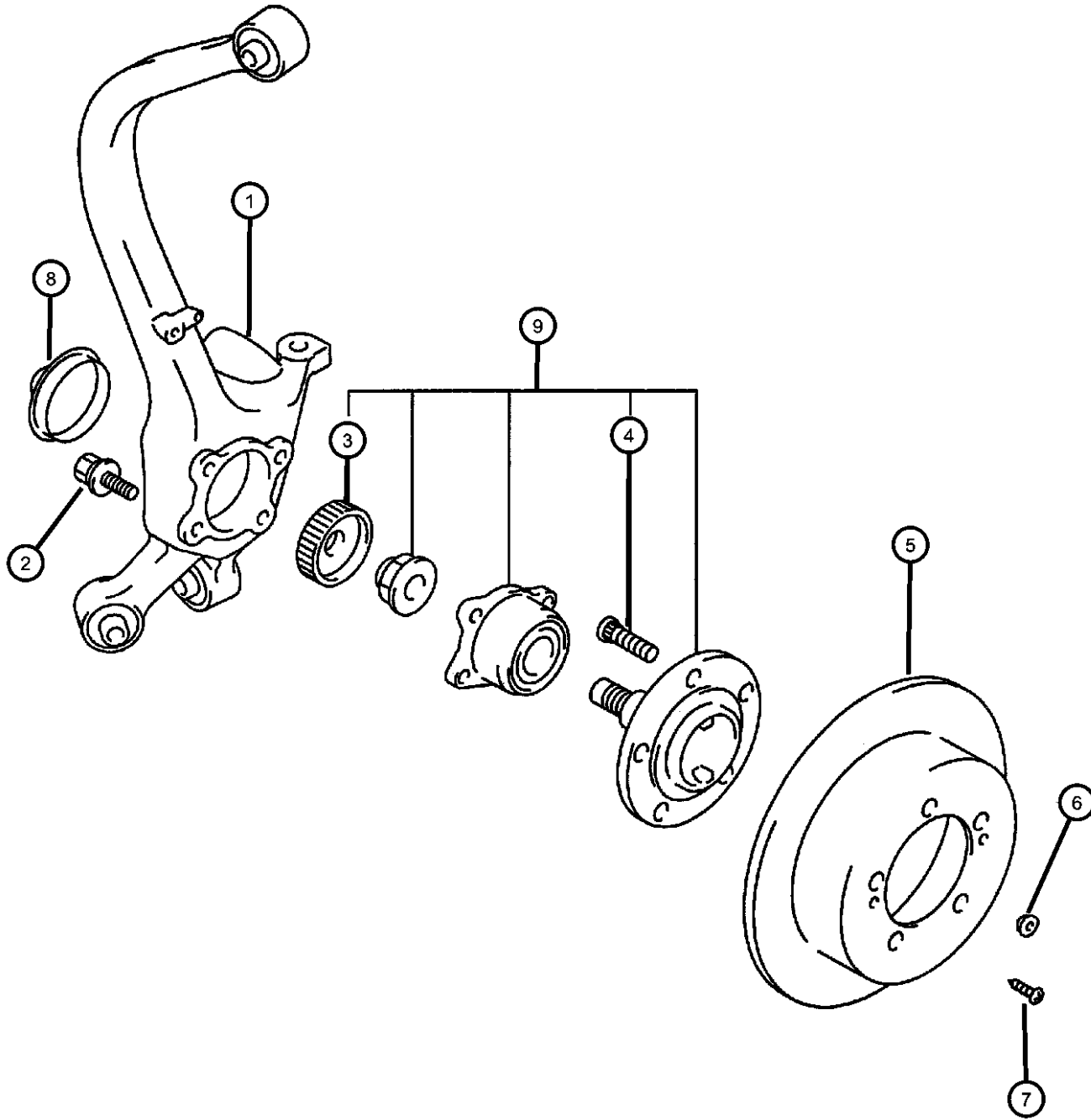


AVENGER, AVENGER ES (FWD), SEBRING LX, LXI (FWD), TALON ESI, TSI TURBO (FWD), TALON TSI (AWD) (FJ)

SERIES	LINE	BODY	ENGINE	TRANSMISSION
H = HIGHLINE	D = AVENGER	22 = 2 DOOR FWD	EEB = ENGINE - 2.5L V6	DGL = TRANSMISSION - 4-SPD.
P = PREMIUM	C = SEBRING		SOHC 24V SMPI	AUTOMATIC, 41TE
S = SPORT	C = CIRRUS			DGO = ALL AUTOMATIC TRANSMISSIONS

AR = use ase required - = Non illustrated part

Rear Wheel Hub
Figure 5-220



ITEM	PART NUMBER	QTY	LINE	SERIES	BODY	ENGINE	TRANS	TRIM	DESCRIPTION
1									KNUCKLE, Rear
	MR223651	1	C, D		22				ALL With ABS and Mexico Without ABS, Left
	MR223652	1	C, D		22				ALL With ABS and Mexico Without ABS, Right
	MR223653	1	C, D		22				U.S./California/Canada, Left, Without ABS
	MR223654	1	C, D		22				U.S./California/Canada, Right, Without ABS
2	MR297337	8	C, D		22				BOLT, Wheel Hub
3	MR249451	2	C, D		22				ROTOR, Brake, ALL With ABS and Mexico Without ABS
4	MB891852	10	C, D		22				STUD, Hub
5									ROTOR, Brake
	MB895200	2	C, D		22				Sebring, High Line Only
	MB928716	2	C, D		22				
6	MB407635	2	C, D		22				PLUG, Brake Adjusting Hole
7	MF201572	4	C, D		22				STUD, Wheel
8	MB864970	2	C, D		22				CAP, Rear Wheel Hub
9									HUB, Wheel
	MR455807	2	C, D		22				U.S./California/Canada, Without ABS
	MR455808	2	C, D		22				ALL With ABS and Mexico Without ABS,

AVENGER, AVENGER ES (FWD), SEBRING LX, LXI (FWD), TALON ESI, TSI TURBO (FWD), TALON TSI (AWD) (FJ)

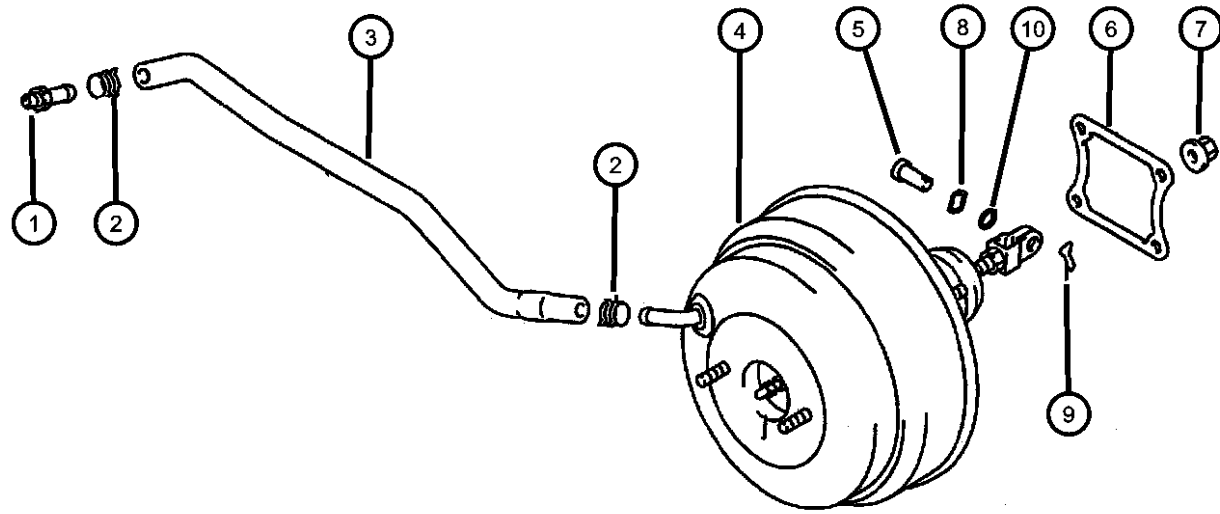
SERIES	LINE	BODY	ENGINE	TRANSMISSION
H = HIGHLINE	D = AVENGER	22 = 2 DOOR FWD	EEB = ENGINE - 2.5L V6 SOHC 24V SMPI	DGL = TRANSMISSION - 4-SPD. AUTOMATIC, 41TE
P = PREMIUM	C = SEBRING			DGO = ALL AUTOMATIC TRANSMISSIONS
S = SPORT	C = CIRRUS			

AR = use ase required - = Non illustrated part

2000 FJ

**Power Brake Booster
Figure 5-310**

ITEM	PART NUMBER	QTY	LINE	SERIES	BODY	ENGINE	TRANS	TRIM	DESCRIPTION
1	MA140192	1	C, D		22				FITTING, Clutch Vacuum Line
2	MB058828	2	C, D		22				CLIP, Tube
3	MB928502	1	C, D		22				HOSE, Brake Booster
4	MB895141	1	C, D		22				BOOSTER, Power Brake
5	MF473492	1	C, D		22				PIN, Clutch Master Cylinder
6	MB238089	1	C, D		22				SEAL, Brake Booster
7	MS440503	4	C, D		22				NUT
8	MF451105	1	C, D		22				WASHER
9	MB858800	1	C, D		22				PIN, Clutch Master Cylinder
10	MF520005	1	C, D		22				O RING, Brake Booster Inner



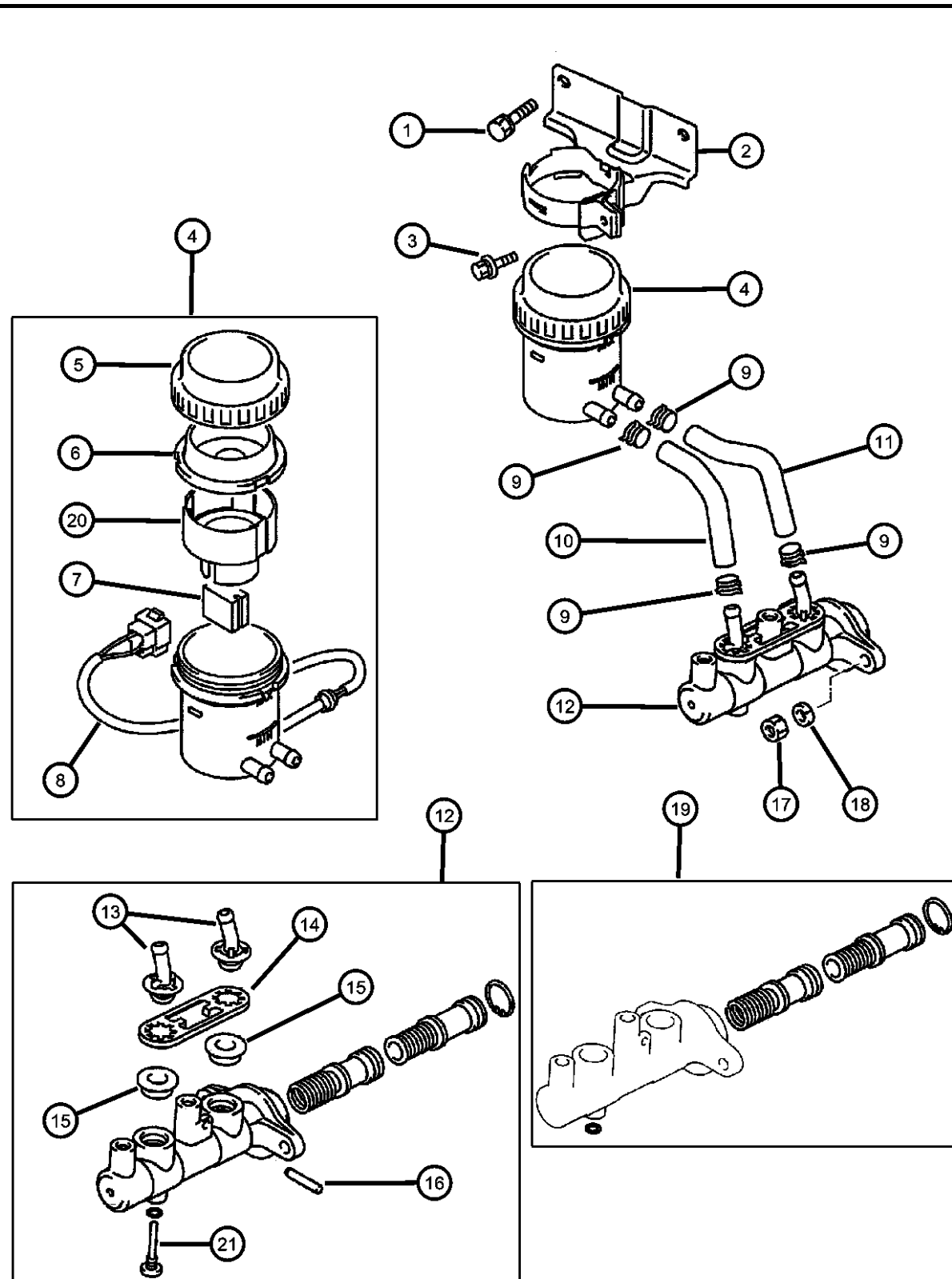
AVENGER, AVENGER ES (FWD), SEBRING LX, LXI (FWD), TALON ESI, TSI TURBO (FWD), TALON TSI (AWD) (FJ)

SERIES	LINE	BODY	ENGINE	TRANSMISSION
H = HIGHLINE	D = AVENGER	22 = 2 DOOR FWD	EEB = ENGINE - 2.5L V6	DGL = TRANSMISSION - 4-SPD.
P = PREMIUM	C = SEBRING		SOHC 24V SMPI	AUTOMATIC, 41TE
S = SPORT	C = CIRRUS			DGO = ALL AUTOMATIC TRANSMISSIONS

AR = use ase required - = Non illustrated part

2000 FJ

Brake Master Cylinder
Figure 5-410



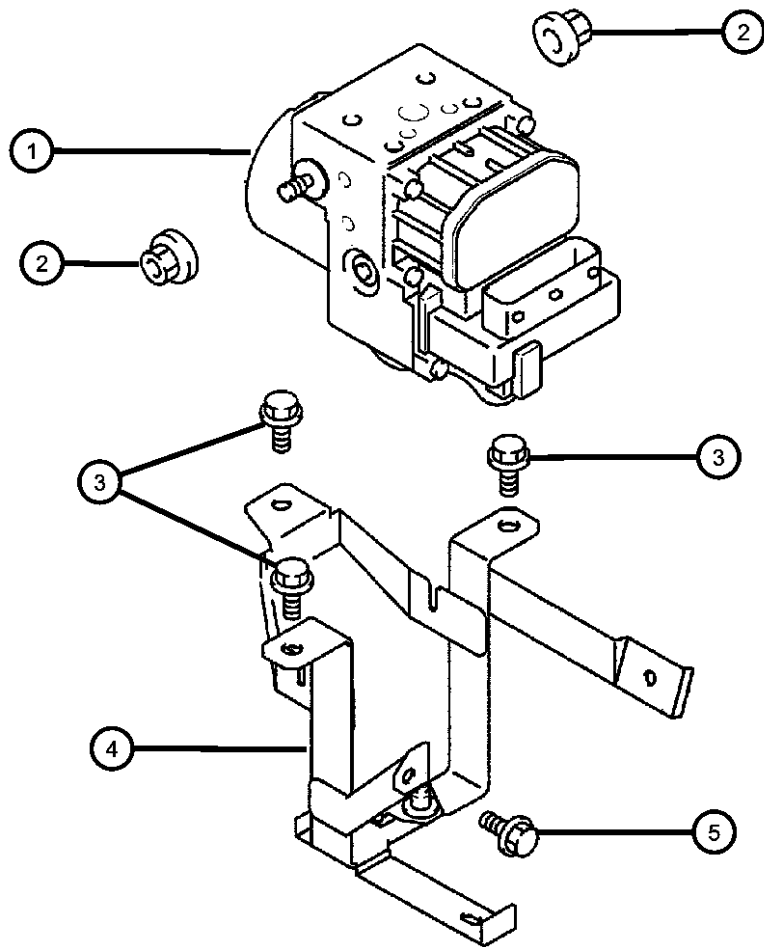
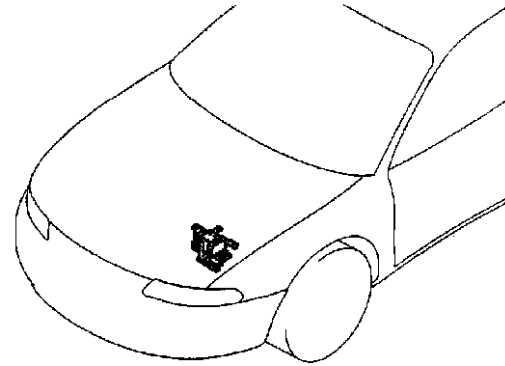
ITEM	PART NUMBER	QTY	LINE	SERIES	BODY	ENGINE	TRANS	TRIM	DESCRIPTION
1	MF240051	2	C, D		22				BOLT AND WASHER, M8x16
2	MB895866	1	C, D		22				BRACKET, Brake Control Unit
3	MF243623	1	C, D		22				BOLT AND WASHER, Check Valve Mounting, M6x14
4									RESERVOIR, Brake Master Cylinder
	MB534534	1	C, D		22				Without ABS
	MB534535	1	C, D		22				ABS
5	MB895812	1	C, D		22				CAP, Fluid Reservoir
6	MB895813	1	C, D		22				DIAPHRAGM, Brake Reservoir
7	MB151326	1	C, D		22				FLOAT, Master Cylinder
8	MB618382	1	C, D		22				SWITCH, Brake Fluid Level
9	MB058362	4	C, D		22				CLIP, Brake
10	MB895869	1	C, D		22				HOSE, Brake Master Cylinder
11	MB895869	1	C, D		22				HOSE, Brake Master Cylinder
12									MASTER CYLINDER, Brake
	MB895871	1	C, D		22				Without ABS
	MR129443	1	C, D		22				ABS
13	MR129467	2	C, D		22				COLLAR, Brake Tube Union
14	MR128728	1	C, D		22				RETAINER, Brake Union
15	MR128726	2	C, D		22				SEAL, Brake Fluid Reservoir
16	MR128729	1	C, D		22				PIN, Brake Master Cylinder
17	MF430005	2	C, D		22				NUT, Gear Shift Link, M10
18	MF450405	2	C, D		22				WASHER, Lock, M8
19									CYLINDER, Brake Master
	MR128752	1	C, D		22				Without ABS
	MR129868	1	C, D		22				ABS
20	MR235330	1	C, D		22				FILTER, Brake Master CylinderABS
21	MR205164	1	C, D		22				STOPPER, Brake Master CylinderABS

AVENGER,AVENGER ES (FWD),SEBRING LX,LXI (FWD),TALON ESI,TSI TURBO (FWD),TALON TSI (AWD) (FJ)
 SERIES LINE BODY ENGINE TRANSMISSION
 H = HIGHLINE D = AVENGER 22 = 2 DOOR FWD EEB = ENGINE - 2.5L V6 DGL = TRANSMISSION - 4-SPD.
 P = PREMIUM C = SEBRING SOHC 24V SMPI AUTOMATIC,41TE
 S = SPORT C = CIRRUS DGO = ALL AUTOMATIC TRANSMISSIONS

AR = use ase required - = Non illustrated part

Hydraulic Unit
Figure 5-420

ITEM	PART NUMBER	QTY	LINE	SERIES	BODY	ENGINE	TRANS	TRIM	DESCRIPTION
1	MR289333	1	C, D		22				HYDRAULIC CONTROL UNIT, Anti-Lock Brake System
2	MS440503	2	C, D		22				NUT
3	MF243650	3	C, D		22				BOLT AND WASHER, M8x18
4	MR249863	1	C, D		22				BRACKET, Hydraulic Control Unit
5	MS240125	1	C, D		22				BOLT AND WASHER, M8x20

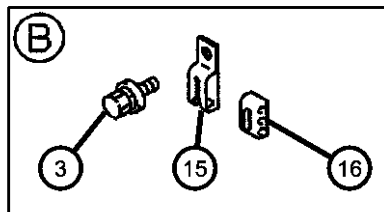
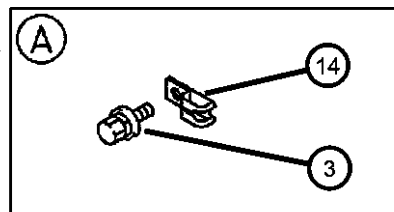
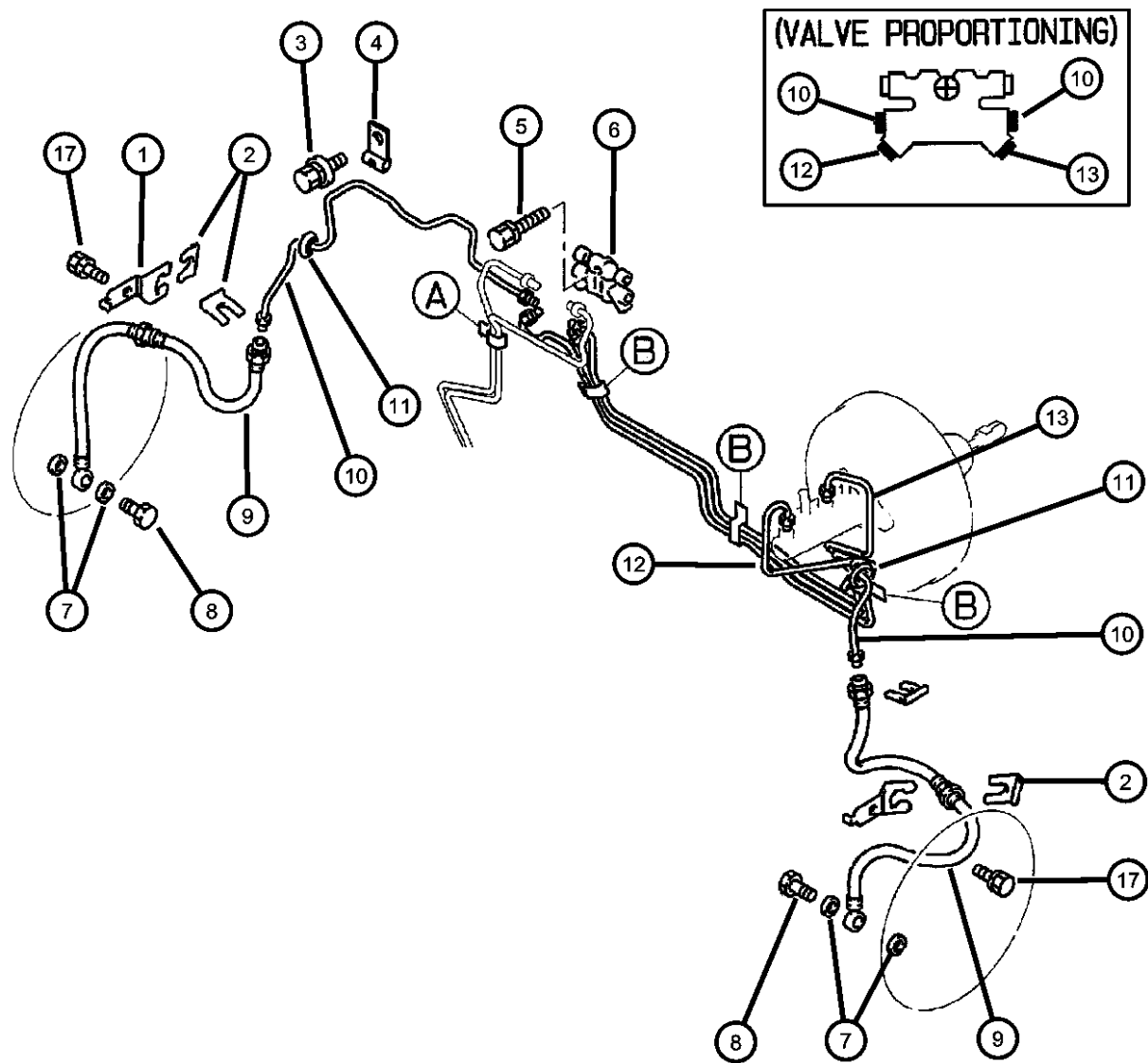


AVENGER, AVENGER ES (FWD), SEBRING LX, LXI (FWD), TALON ESI, TSI TURBO (FWD), TALON TSI (AWD) (FJ)

SERIES	LINE	BODY	ENGINE	TRANSMISSION
H = HIGHLINE	D = AVENGER	22 = 2 DOOR FWD	EEB = ENGINE - 2.5L V6 SOHC 24V SMPI	DGL = TRANSMISSION - 4-SPD. AUTOMATIC, 41TE
P = PREMIUM	C = SEBRING			DGO = ALL AUTOMATIC TRANSMISSIONS
S = SPORT	C = CIRRUS			

AR = use ase required - = Non illustrated part

Figure 5-510



ITEM	PART NUMBER	QTY	LINE	SERIES	BODY	ENGINE	TRANS	TRIM	DESCRIPTION
1	MB858493	1	C, D		22				BRACKET, Brake Hose Left
	MB858494	1	C, D		22				Right
2	MA431825	4	C, D		22				CLIP, Line
3	MS240085	10	C, D		22				BOLT AND WASHER, M8x20
4	MB344587	2	C, D		22				CLIP, Brake Line
5	MF240059	1	C, D		22				BOLT AND WASHER, Brake Line, M8x.35
6	MB895931	1	C, D		22				VALVE, Proportioning
7	MA111832	4	C, D		22				GASKET, Brake Line
8	MF243626	1	C, D		22				BOLT
9	MR129845	2	C, D		22				HOSE, Brake
10									TUBE, Brake Right
	MB895894	1	C, D		22				Left
	MB895895	1	C, D		22				
11	MS810053	2	C, D		22				GROMMET, Brake Line
12	MB895893	1	C, D		22				TUBE, Brake
13	MB895892	1	C, D		22				TUBE, Brake
14	MB329398	2	C, D		22				CLIP, Brake Tube
15	MB668000	3	C, D		22				CLIP, Brake Line
16	MB668684	3	C, D		22				CLIP, Brake Line
17	MF240049	2	C, D		22				BOLT AND WASHER, M8x12

Note: Mexico Parts are Located in 5-520 Front Brake Lines w/ABS

AVENGER, AVENGER ES (FWD), SEBRING LX, LXI (FWD), TALON ESI, TSI TURBO (FWD), TALON TSI (AWD) (FJ)

SERIES	LINE	BODY	ENGINE	TRANSMISSION
H = HIGHLINE	D = AVENGER	22 = 2 DOOR FWD	EEB = ENGINE - 2.5L V6	DGL = TRANSMISSION - 4-SPD.
P = PREMIUM	C = SEBRING		SOHC 24V SMPI	AUTOMATIC, 41TE
S = SPORT	C = CIRRUS			DGO = ALL AUTOMATIC TRANSMISSIONS

AR = use ase required - = Non illustrated part