

Form No.
50960088
Revision A
September
2014

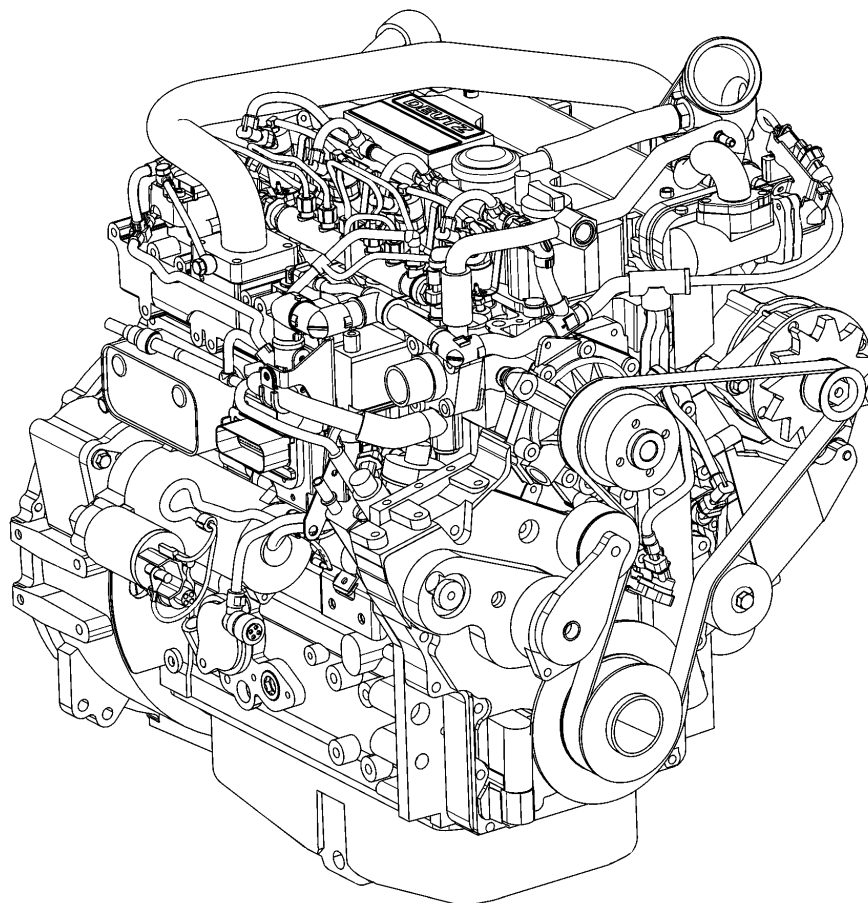
TD 3.6 L4

Deutz Engine

Telescopic Handlers

Gehl RS6-34 (Tier IV)

Manitou MT6034 T (Tier IV)



Parts Manual

The Table of Contents pages list the page locations of the various component groups on the engine.

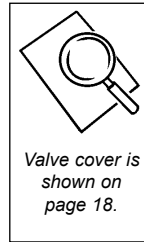
Manitou Americas, Inc. reserves the right to make changes or improvements in the design or construction of any part of the unit without incurring the obligation to install such changes on any unit previously delivered.

When ordering service parts, specify the part number, full description, quantity required, and the engine model and serial number.

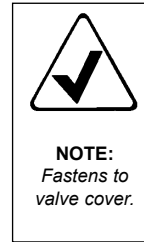
Model and serial number for this engine are stamped on the engine identification plate located on the top of the valve cover.

NOTE: The engine manufacturer occasionally makes changes to engine components; therefore, it is important to always provide the factory parts department with the model and serial number of the engine when ordering parts. This is especially important when the part number in this parts manual is listed as **CFPD** (Call Factory Parts Department) or **TBD** (To Be Determined).

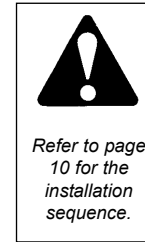
The following icons shown on various pages provide important information or identify where additional information can be found.



Identifies where additional information can be found.



Identifies missing, hidden parts, or adds informational comments.



Alerts and directs user to investigate more information.



NOTE: Quantities are for one piston; the engine uses four pistons.

Informs user of specific parts details for ordering.



Identifies the correct torque of the bolt, nut, fitting, or other hardware. When a value is not present, refer to the engine shop manual for correct torque values and procedures.

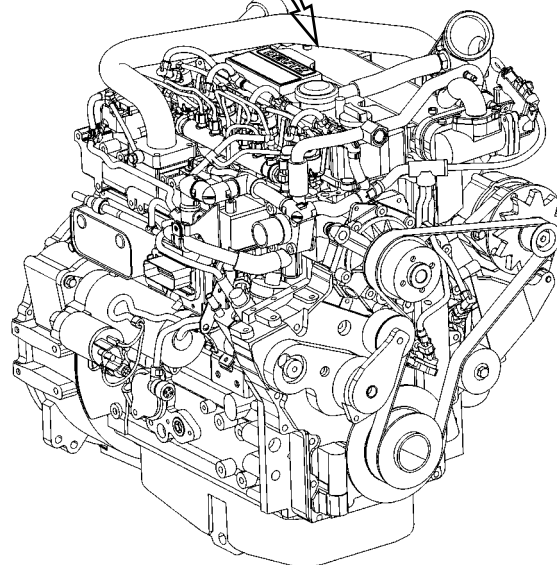
Model

Serial Number

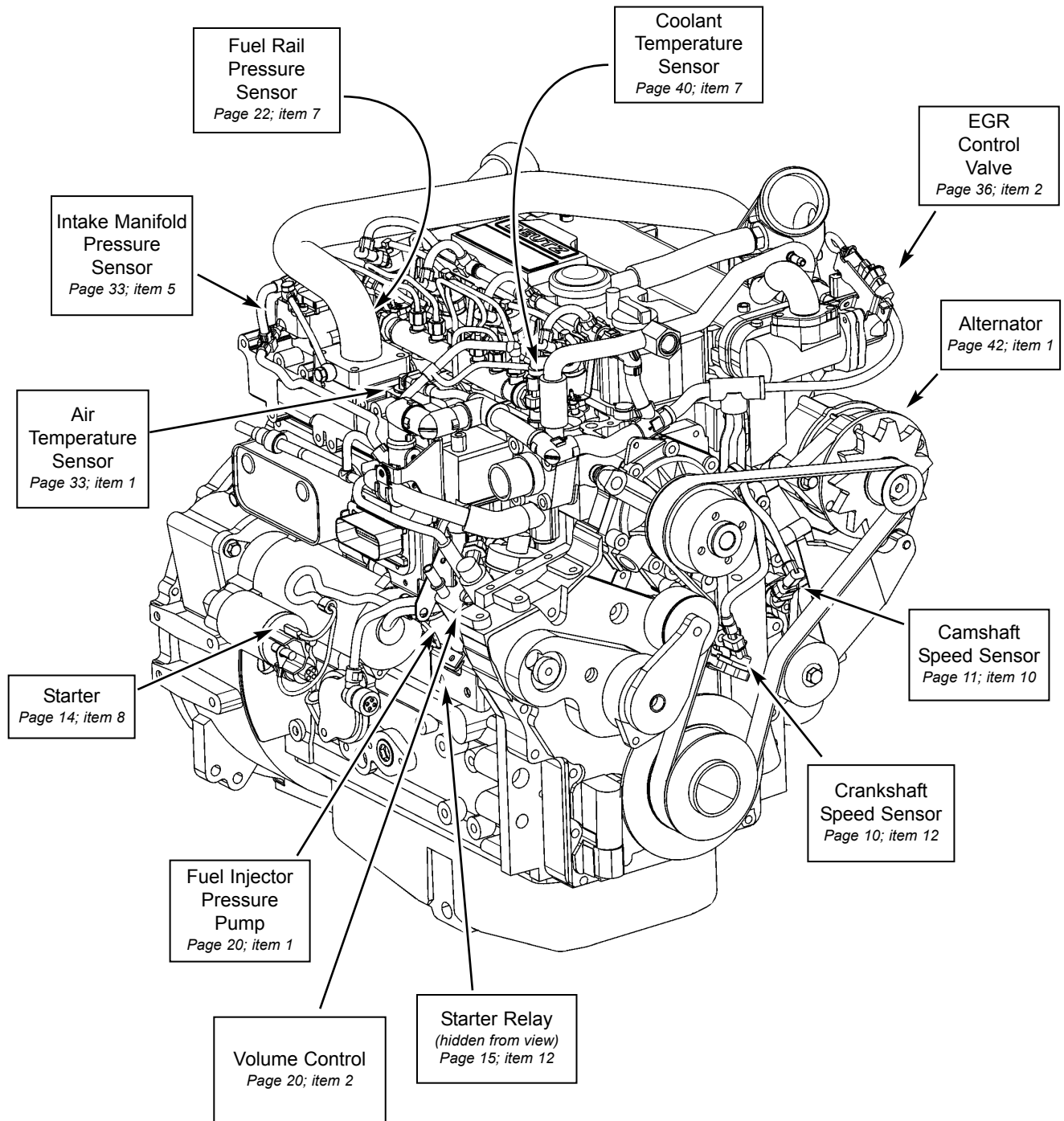
| | | | |
|--------------------------------|------------------|--------|-------------|
| MODEL | TD 3.6 L4 | SER NO | 00011527853 |
| CODE | C4DI55C HP 74 | SPEC | |
| KW | 55,4 KW red | C.SPEC | |
| RPM | 2300 DISPL 3.621 | | |
| | | E | |
| EPA TIER IV | | | |
| DEUTZ DEUTZ AG MADE IN GERMANY | | | |

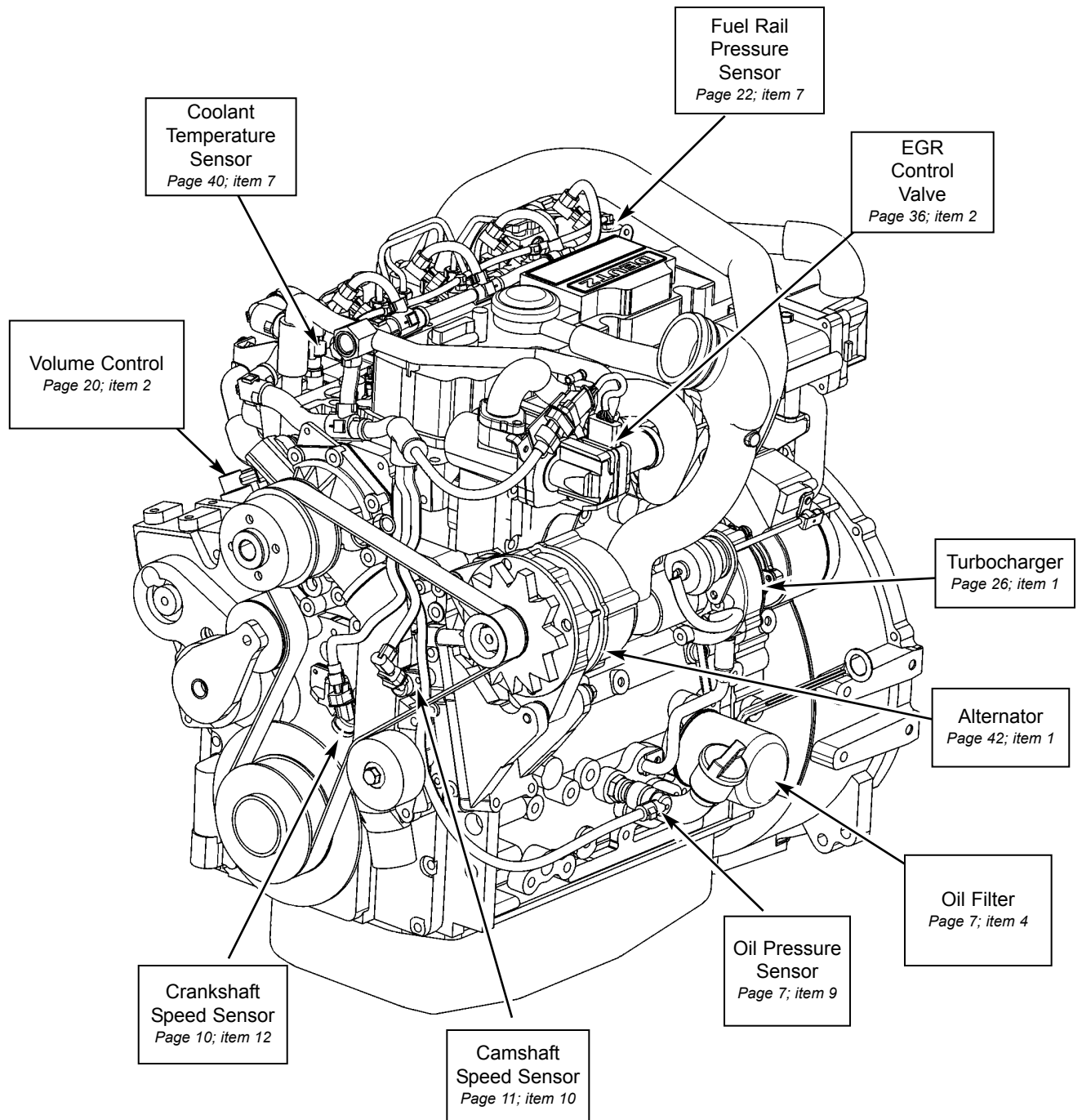
Engine Identification Plate

(Located on top of the valve cover)



| | |
|---|----|
| Component Locations | 2 |
| Engine Block, Oil Pan, Plugs, and Gasket Set | 4 |
| Oil Pickup Lines | 6 |
| Oil Cooler, Oil Filter, and Oil Pressure Sensor | 7 |
| Connecting Rod | 8 |
| Piston | 9 |
| Crankshaft, Pulley, and Sensor | 10 |
| Camshaft, Lifters, Rocker Arms, and Sensor | 11 |
| Cylinder Head and Valve Cover | 12 |
| Flywheel Housing, Starter, and Starter Relay | 14 |
| Flywheel and Starter Ring | 16 |
| Oil Pump and Timing Gear Cover | 18 |
| Fuel Injector Pressure Pump | 20 |
| Fuel Rail and High-Pressure Fuel Lines | 22 |
| Fuel Return Lines | 23 |
| Fuel Injector | 24 |
| Glow Plug | 25 |
| Turbocharger | 26 |
| Turbocharger Oil Lines | 27 |
| Turbocharger Hose and Crankcase Breather Tube | 28 |
| Turbocharger Exhaust | 29 |
| Exhaust Manifold Group | 30 |
| Diesel Oxidation Catalyst (DOC) Group | 31 |
| Air Intake Manifold | 32 |
| Air Intake Sensors | 33 |
| Air Intake Tube Group | 34 |
| EGR Valve and EGR Cooler Group | 36 |
| Water Pump Group | 38 |
| Thermostat Housing Group | 40 |
| Alternator Group | 42 |
| Fan Belt and Tensioner | 44 |
| Engine Wire Harnesses | 46 |
| Harness Connectors | 48 |
| ECU (Electronic Control Unit) | 49 |
| Numeric Index | 50 |
| Subject Index | 52 |
| Torque Specifications | 56 |





Engine

Deutz TD 3.6 L4

Engine Block, Oil Pan, Plugs, and Gasket Set

